

# German Entwicklungsfahrzeug E 100 Super Heavy Tank

## 德国E 100超重型坦克

### READ BEFORE ASSEMBLY:

- Study and understand these instructions thoroughly before beginning assembly
- When needed, remove photo-etch parts carefully using a modeling knife or photo etch sprue cutter, being careful not to damage or lose small parts.
- Take extra care in handling photo etch parts in order to avoid injury
- Apply instant cement sparingly to photo etch parts where instructed
- Tools recommended(not included in kit):Plastic and instant cements, sprue cutters,long nose pliers,modeling knife, small files, tweezers, pin vise & scissors. Soft cloth and sandpaper will also assist in construction
- Glue and paint are not included in the kit. Use plastic cement and hobby paints only. Color guide for purchasing paint is included in the kit.

### 装配之前仔细阅读

- 小心用模型锉刀锉平所有零件表面的注射浇口。
- 小心用刀片切下蚀刻片零件，不要遗失小零件。
- 用强力快干胶水粘合蚀刻片零件和金属轴。过量快干胶水使用可能导致可动零件会粘住，小心涂胶。
- 取蚀刻片时应特别注意安全，防止利边划伤手指。
- 某些零件表面需贴上水贴纸，请选择在装配的同时进行。
- 推荐模型工具(自备)：胶水，水口剪刀，长咀钳，刀片，锉刀，镊子，钳，钻，剪刀，瞬间快干胶。
- 软布同砂纸同时也应该是必备工具。
- 请使用塑料胶水和油漆，模型内不含。



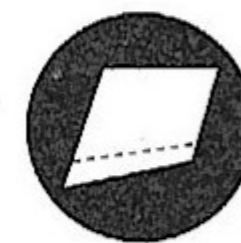
配重  
Weight



使用强力胶  
Cyanoacrylate glue



钻孔  
Make hole



切除  
Cut / Remove



贴纸  
Decal



锉平  
File / Sand



选择  
Option



不涂胶水  
No cement



弯曲  
Bend



先装  
Install it first

### 水贴纸的使用:

- 1.从水贴上剪下印花;
- 2.将印花放入温水中浸10秒，然后放在干净布上。
- 3.拿着印花纸板将印花移到模型上;
- 4.手指蘸水将印花移到适当的位置;
- 5.用软布轻压印花直至水干，气泡消失

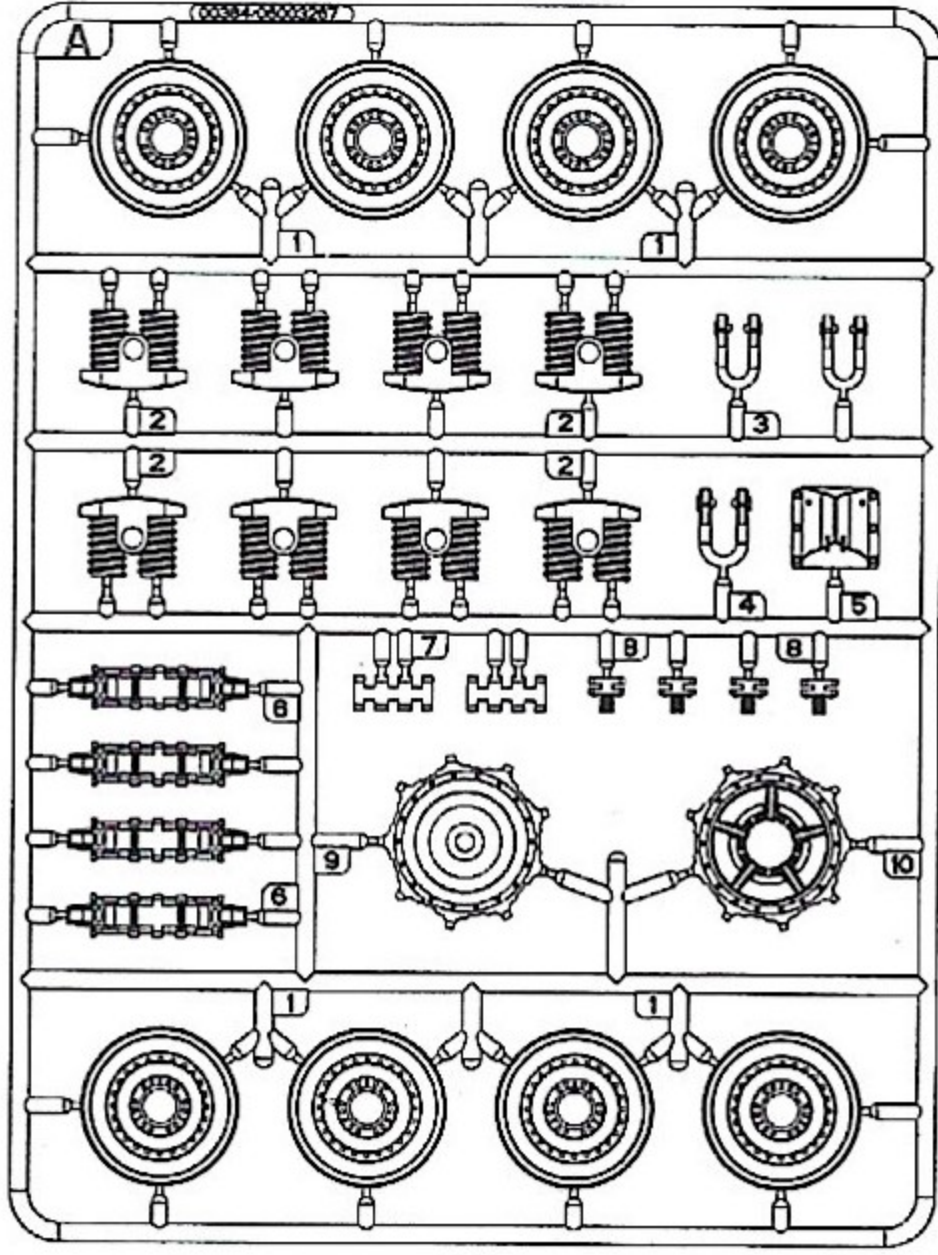
### DECAL APPLICATION

- 1.Cut decals from sheet as needed
- 2.Dip the decal in warm water for about 10 seconds and then place on soft clean cloth.
- 3.Hold the decal backing sheet edge and gently slide the decal onto the model in its proper position.

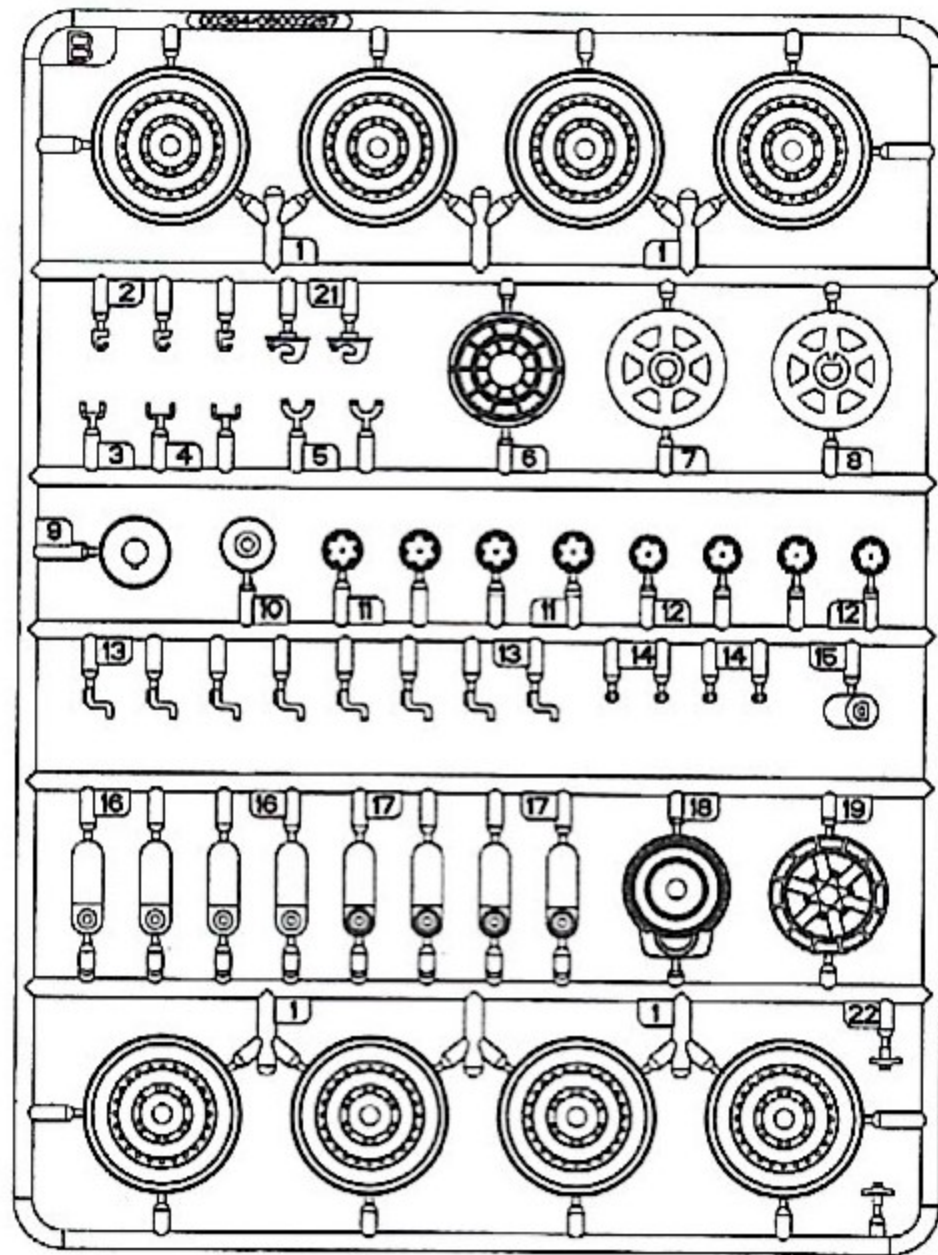
- 4.While still wet,decal can be adjusted for better fit on model by dampening it gently with your finger.
- 5.When placed in the proper position,gently press decal down with a soft cloth until excess water and air bubbles are gone.
- 6.Allow decal to dry completely before handling model

部品图  
Parts

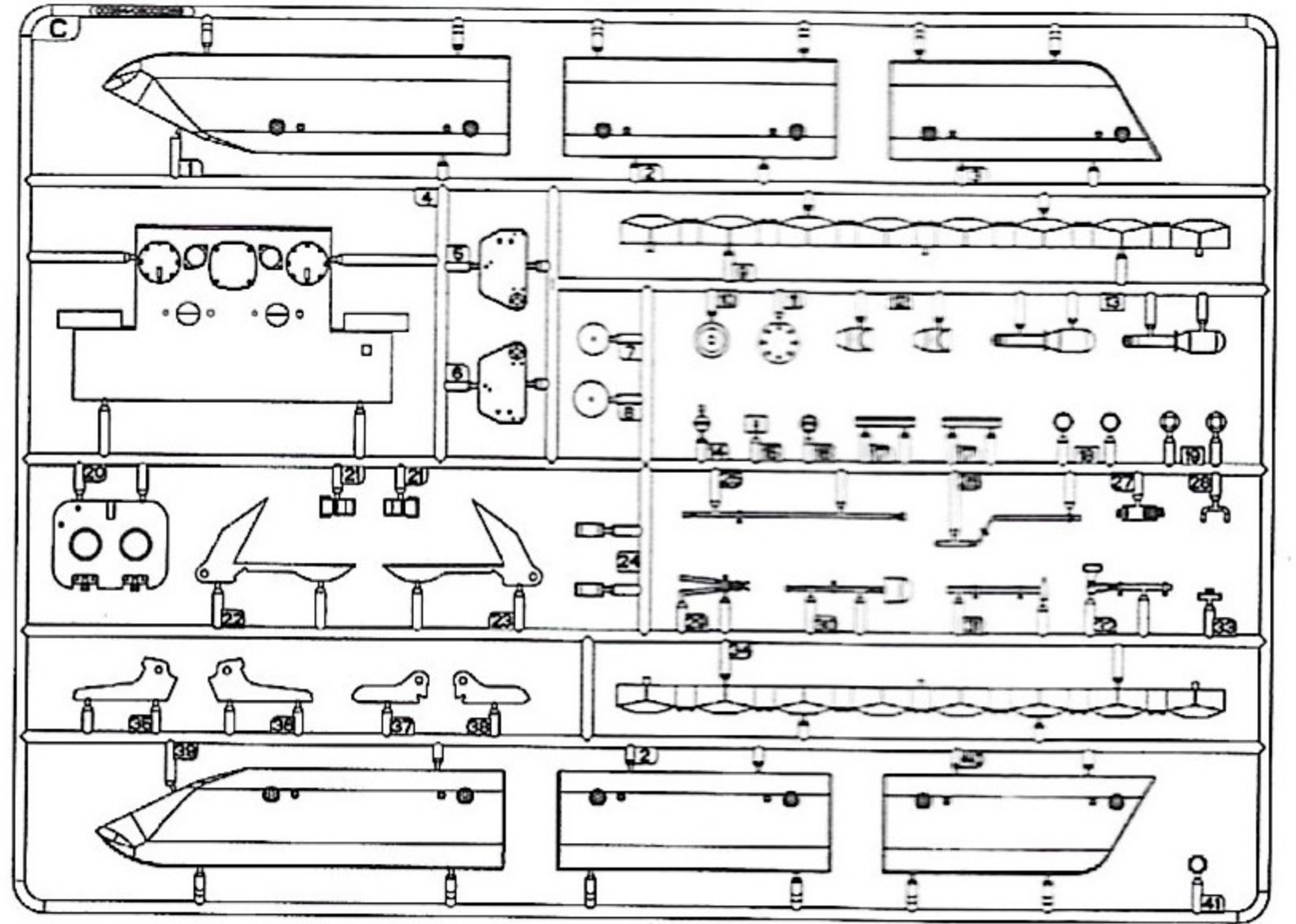
A×2



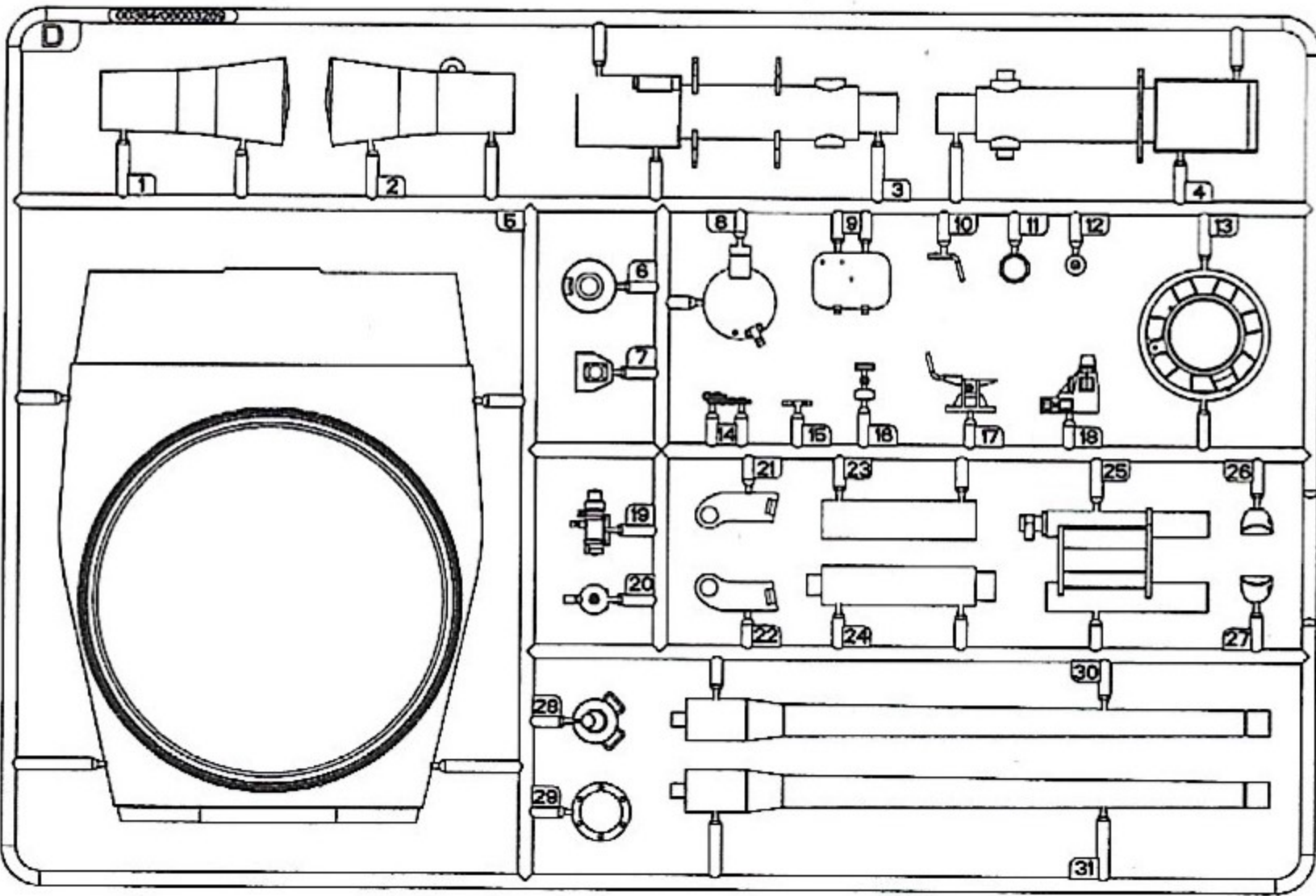
B×2



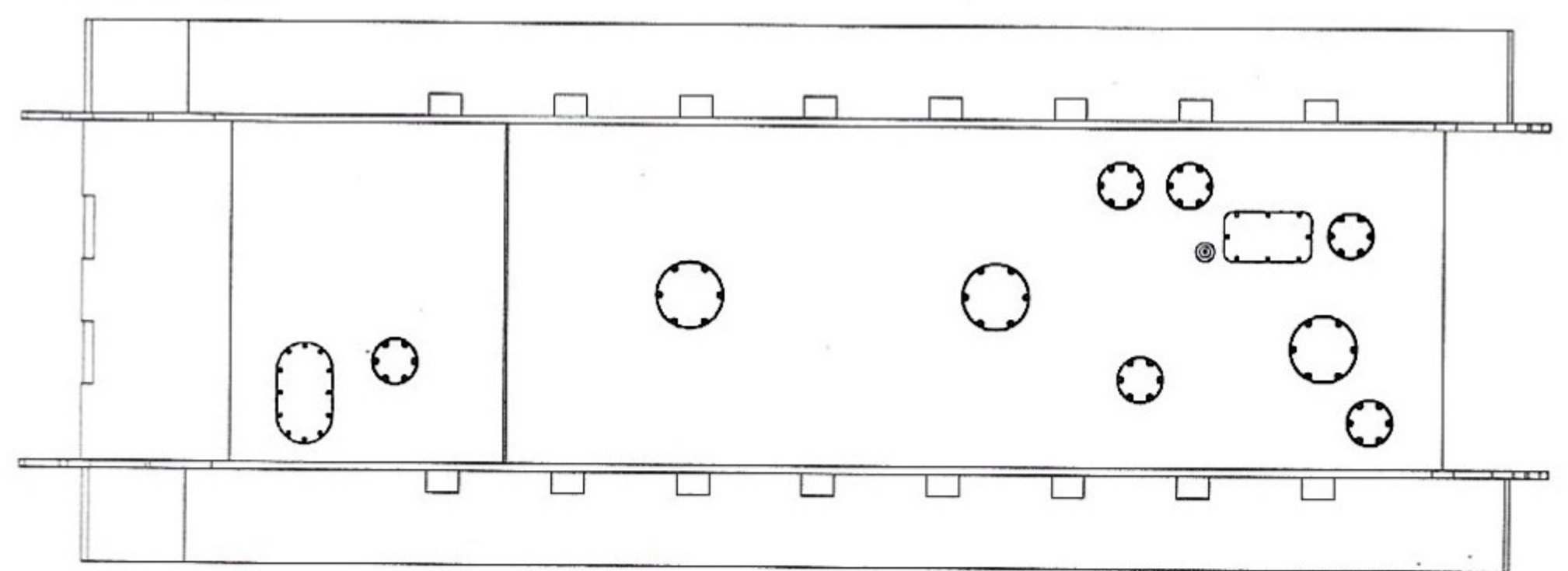
C



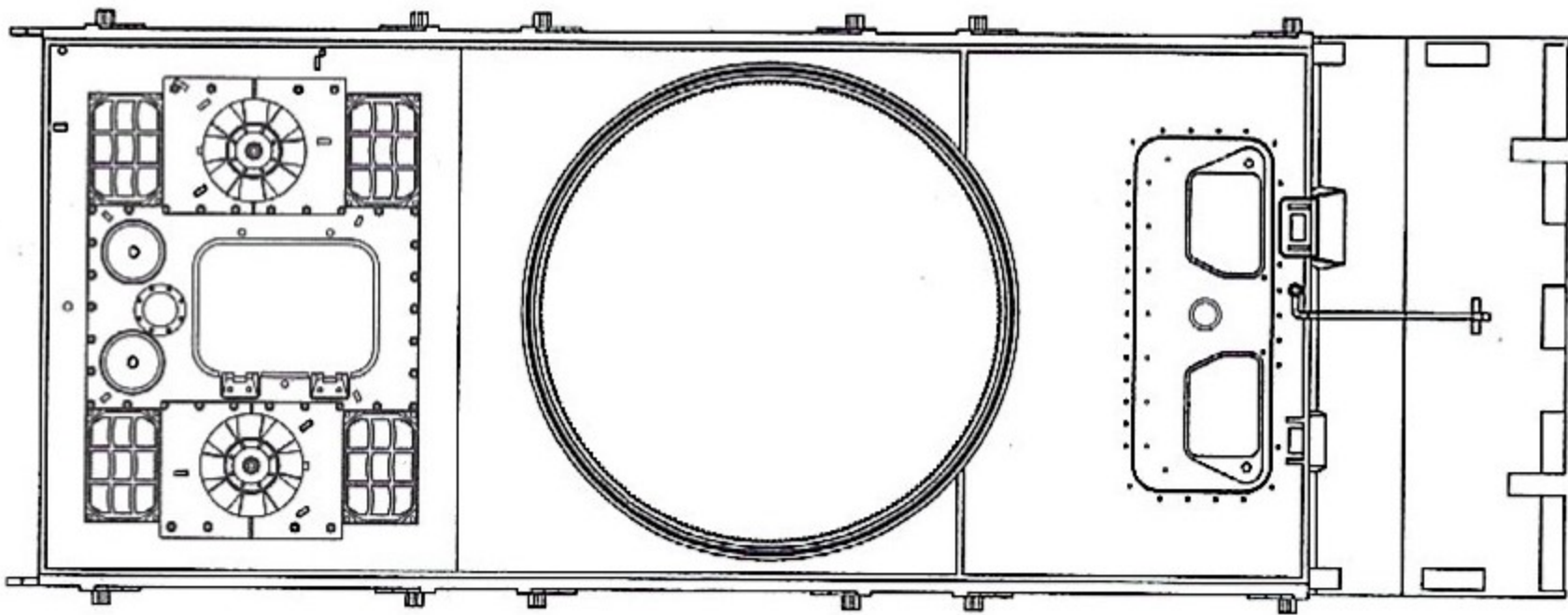
D



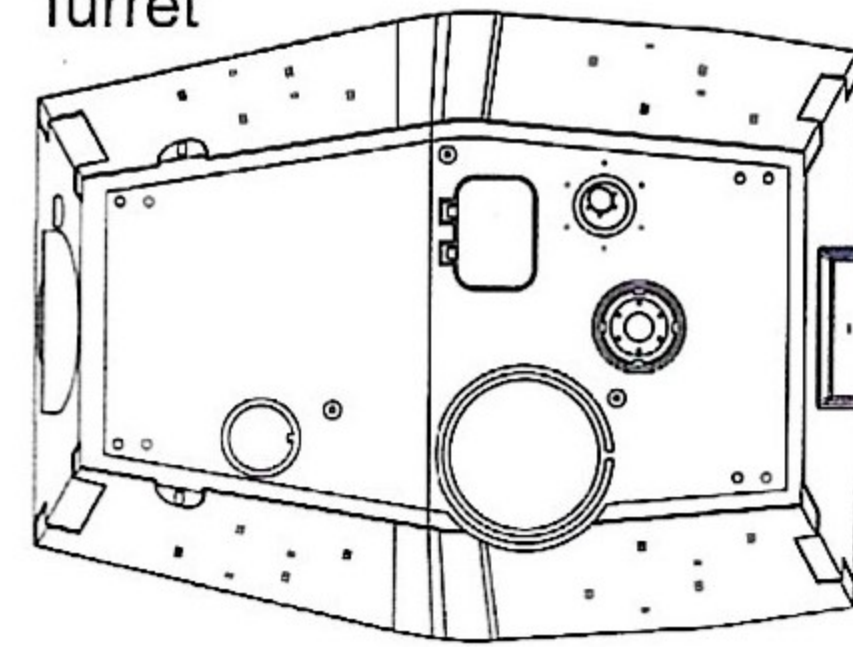
<<车底>>  
lower hull



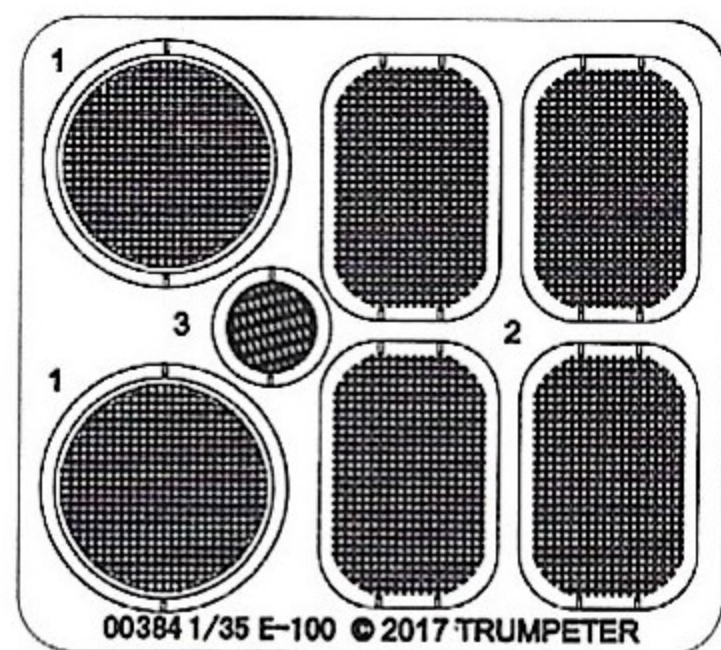
<<车面>>  
upper hull



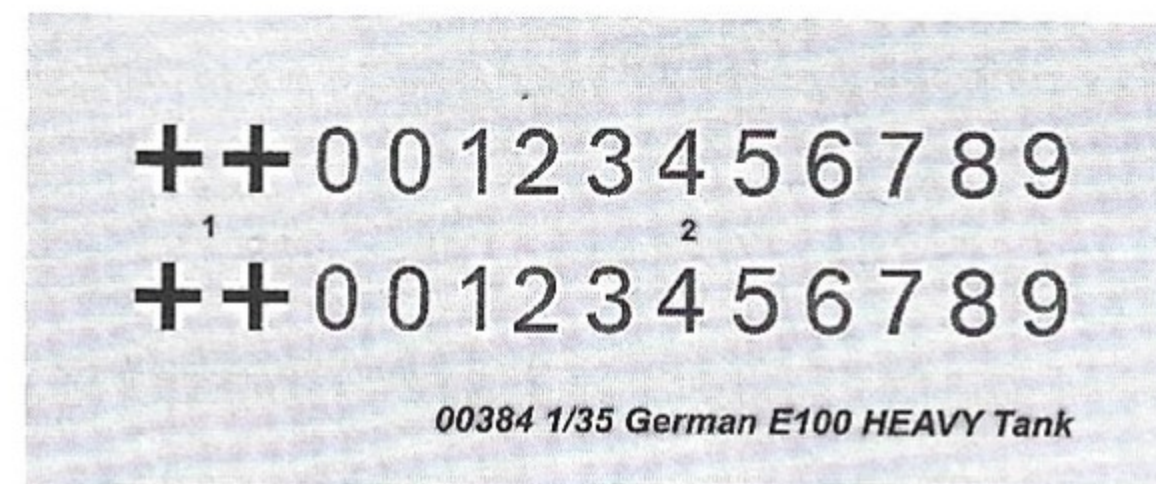
<<炮塔>>  
Turret



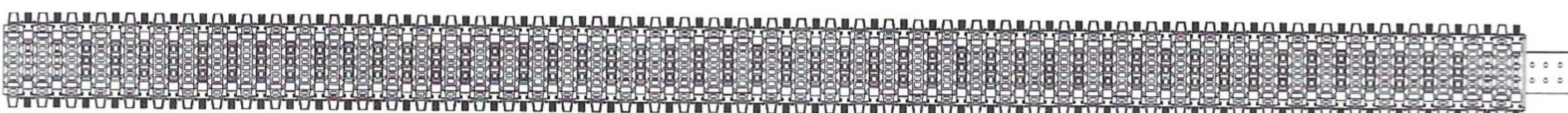
PE



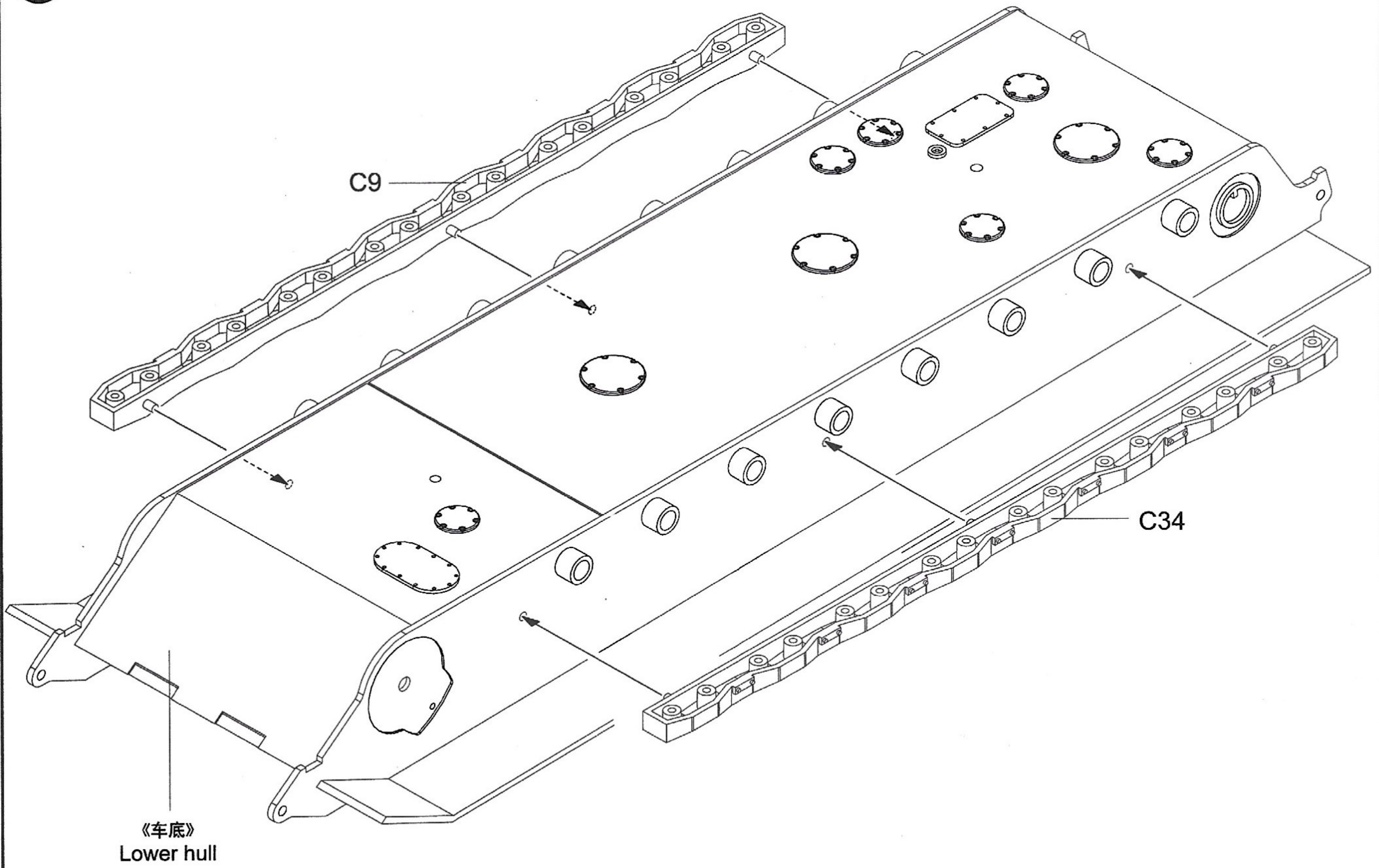
<<水贴>>  
Decal



<<履带>>  
Track × 2

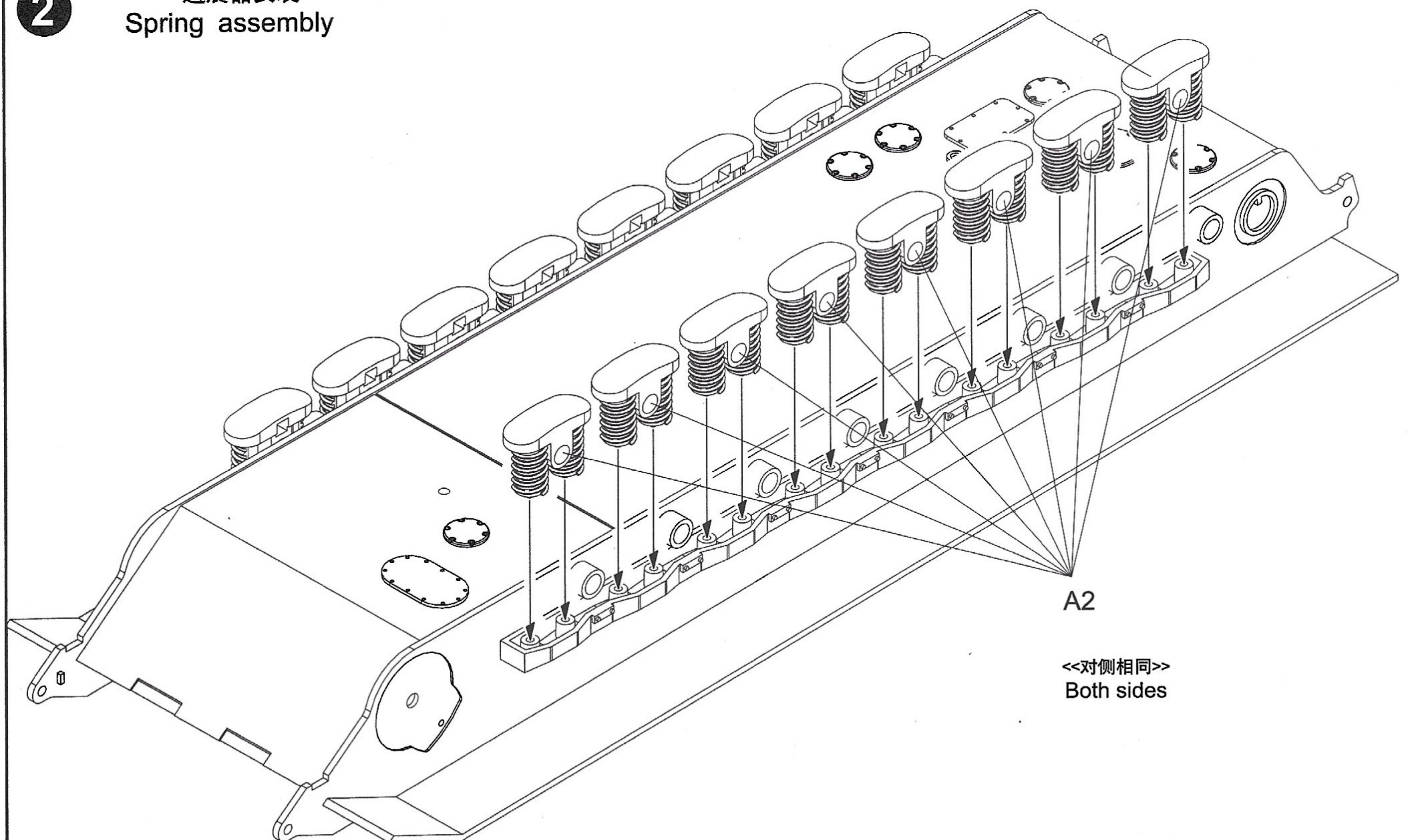


1



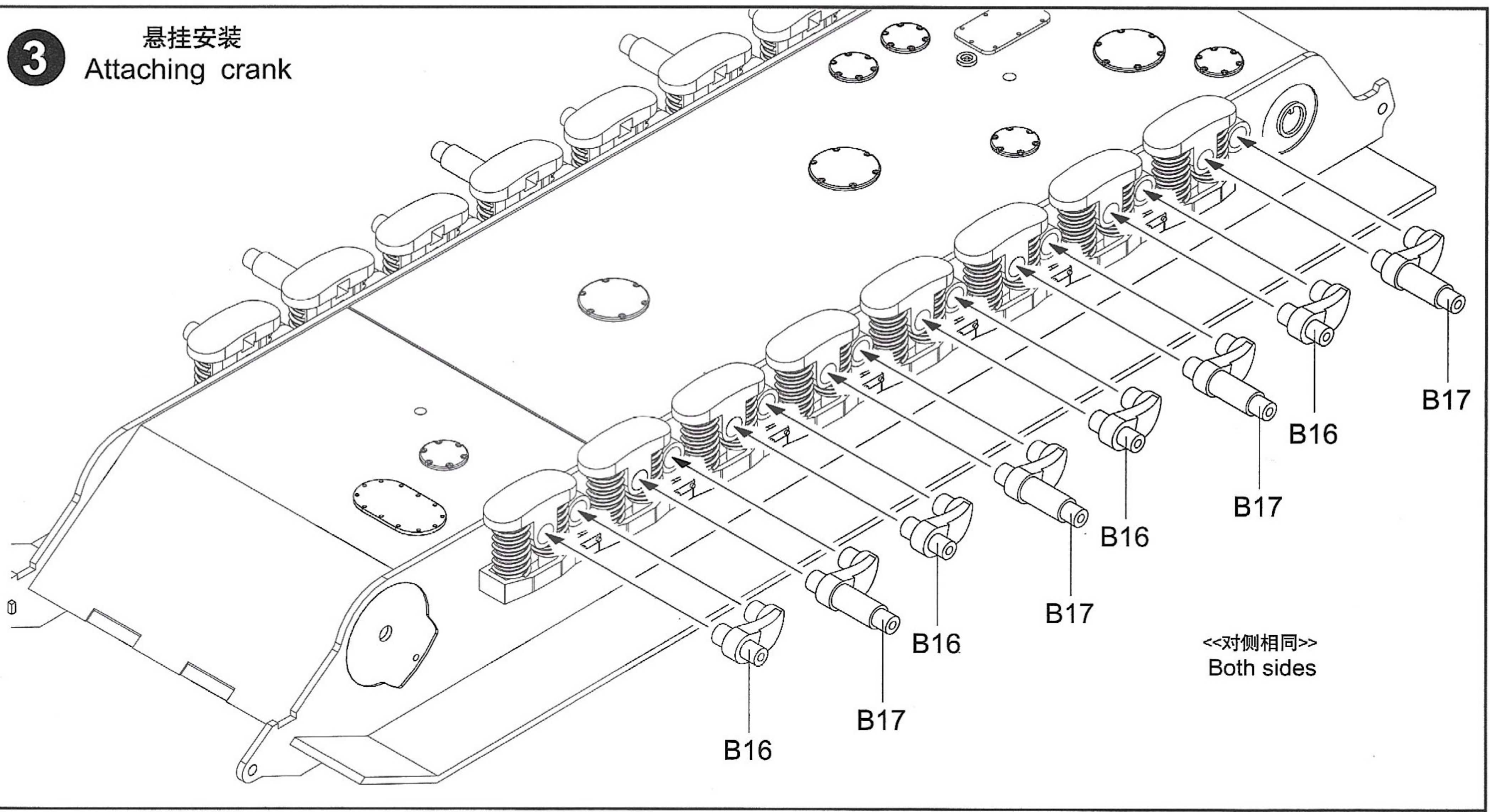
2

避震器安装  
Spring assembly



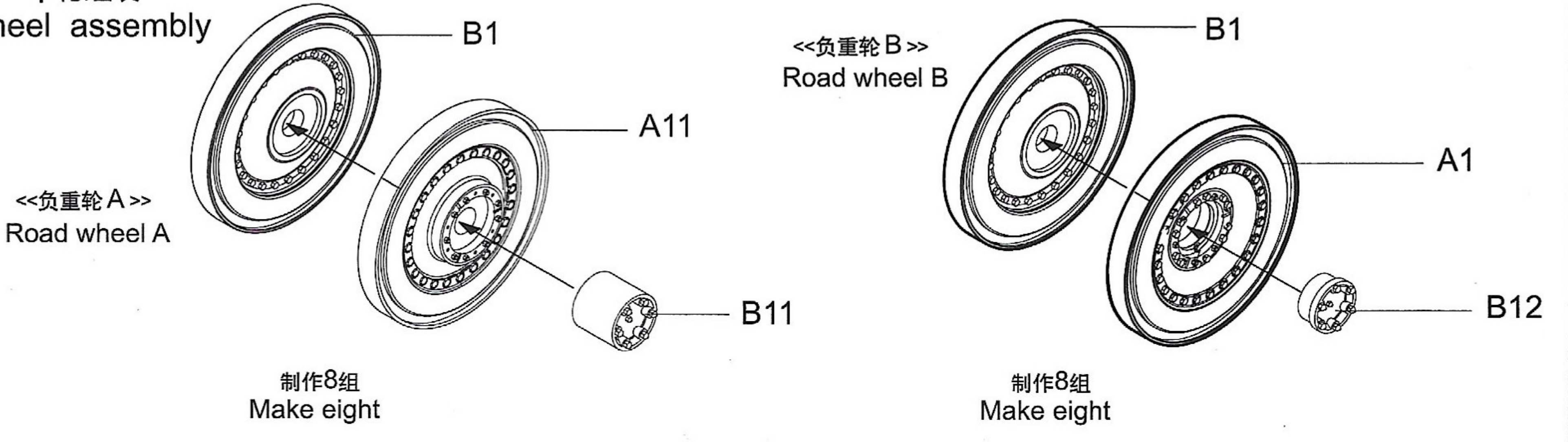
3

悬挂安装  
Attaching crank



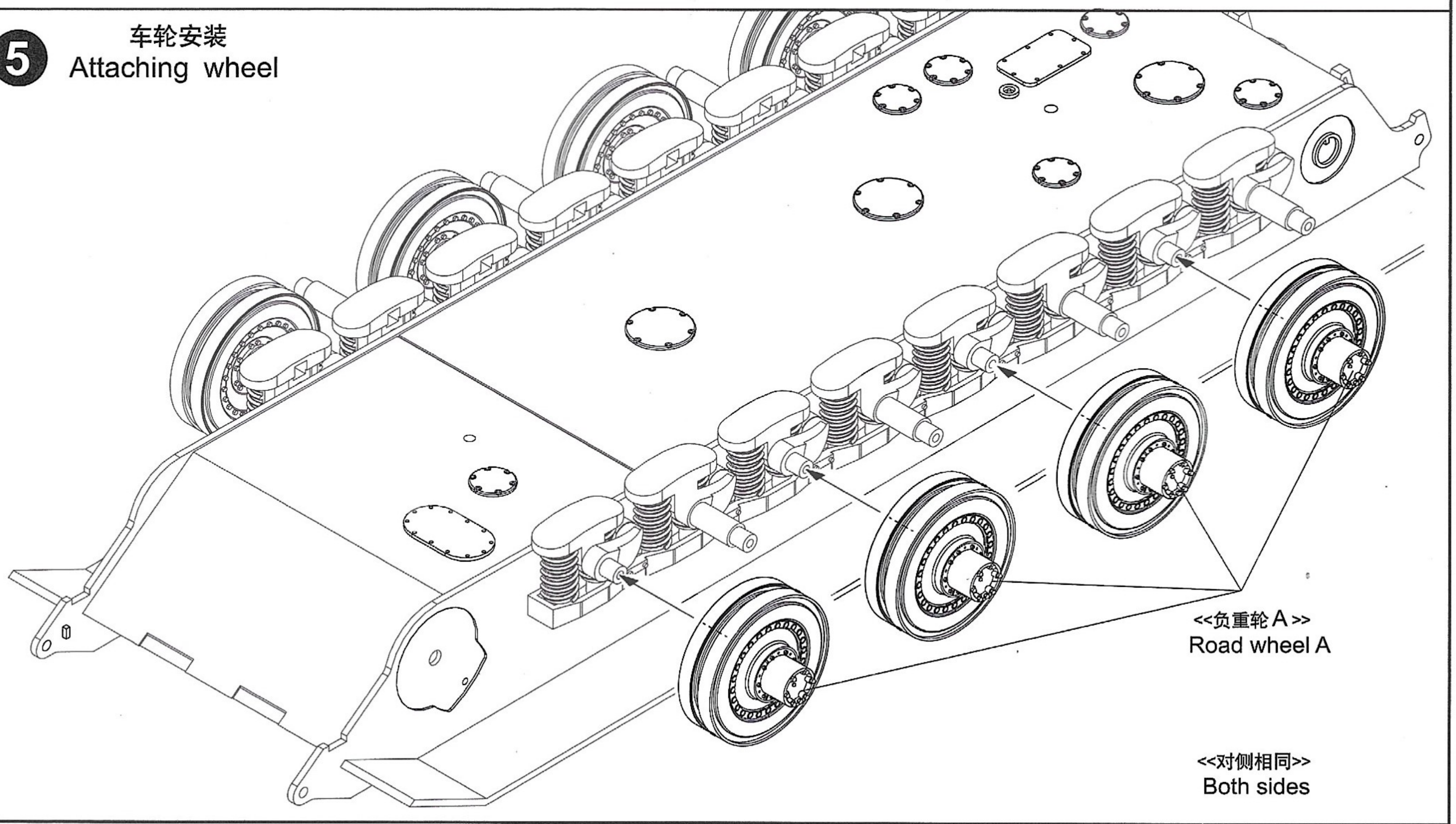
4

车轮组装  
Wheel assembly



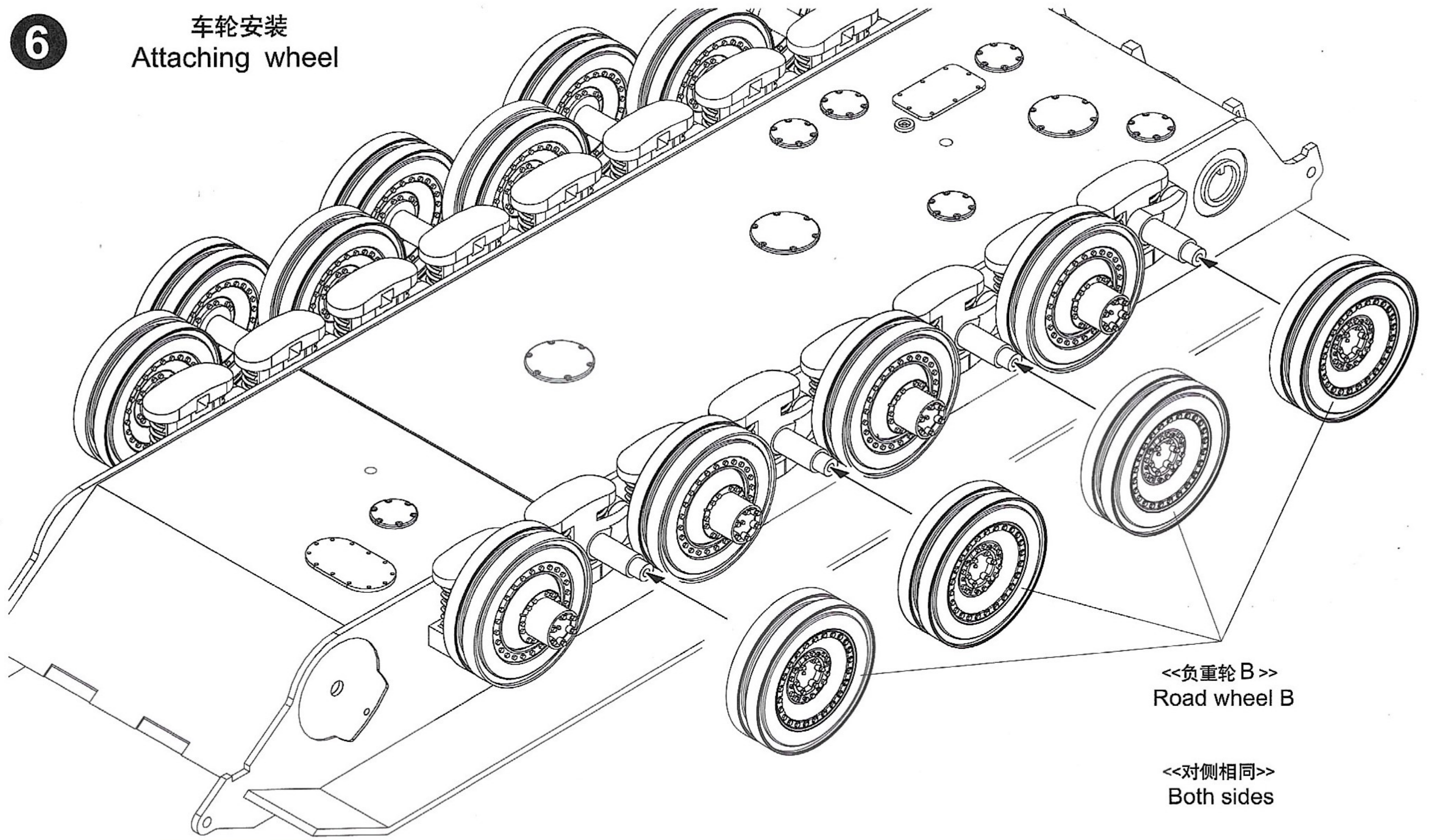
5

车轮安装  
Attaching wheel



6

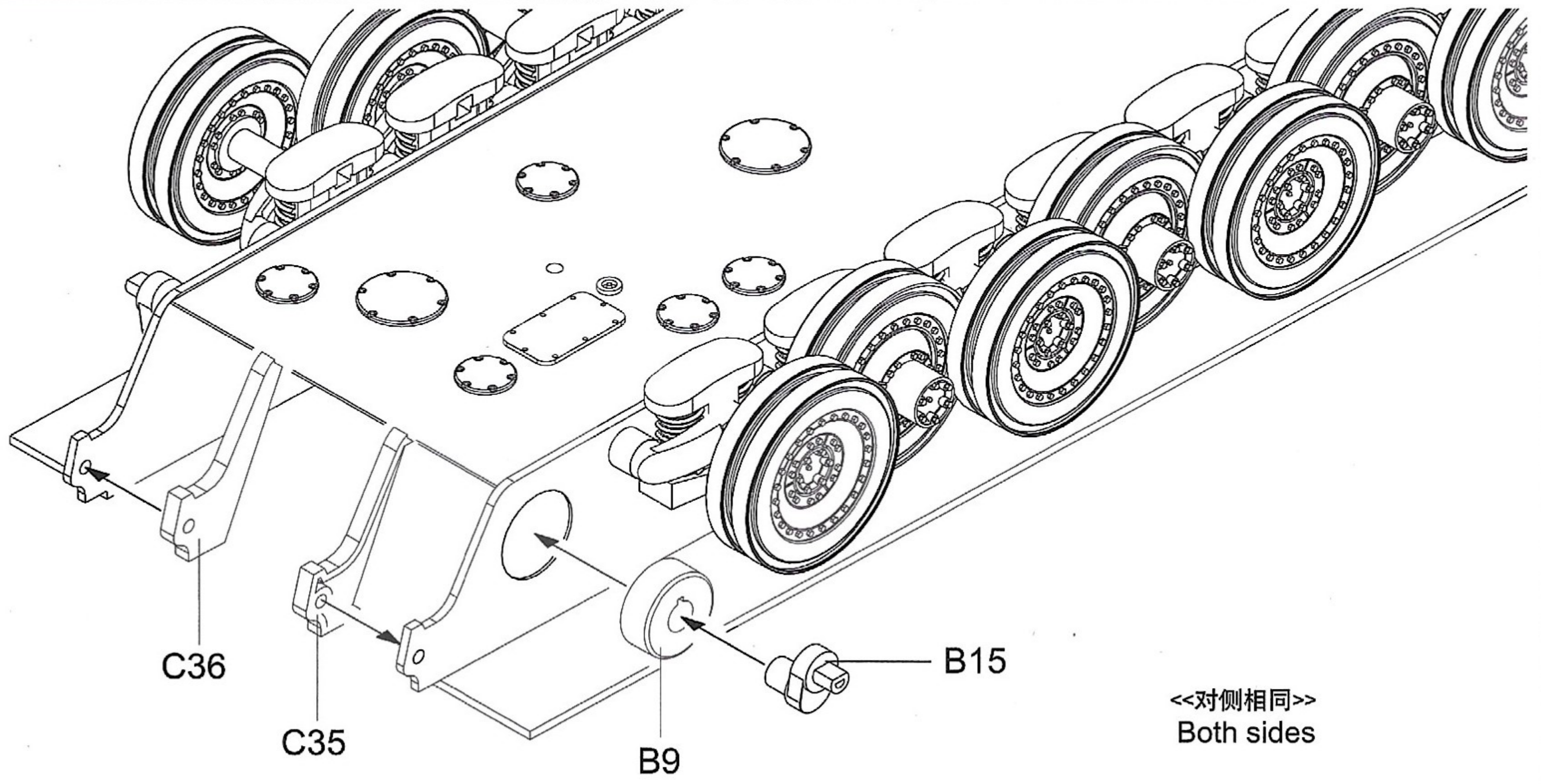
车轮安装  
Attaching wheel



<<负重轮 B>>  
Road wheel B

<<对侧相同>>  
Both sides

7



C36

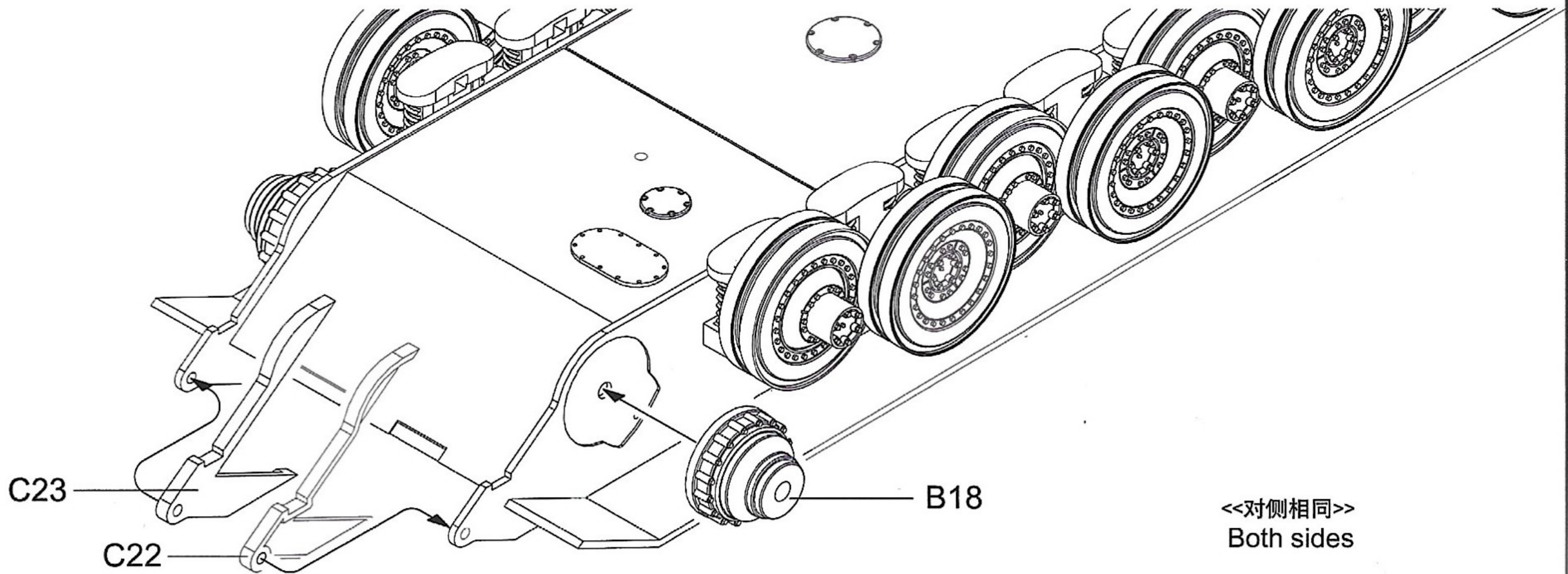
C35

B9

B15

<<对侧相同>>  
Both sides

8



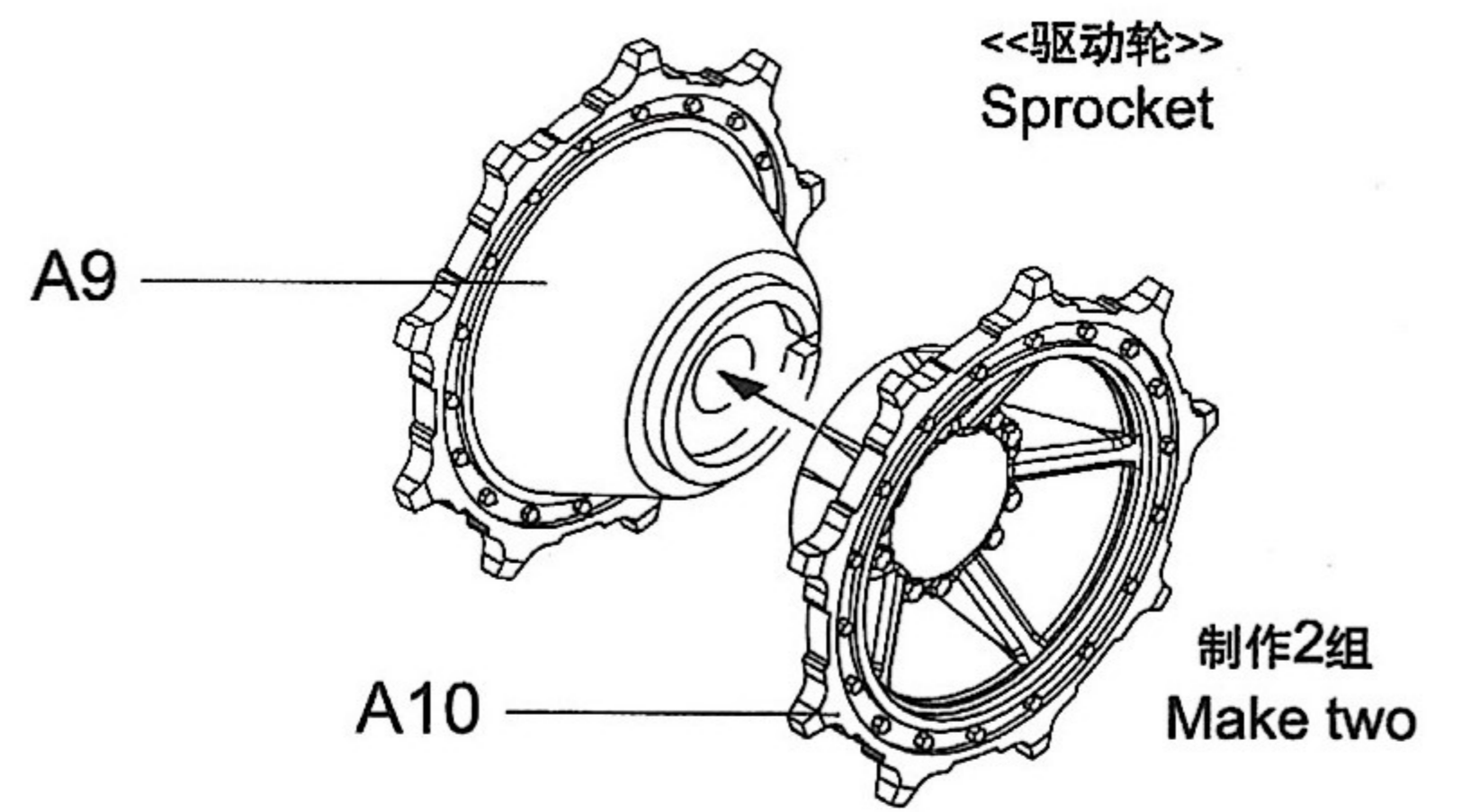
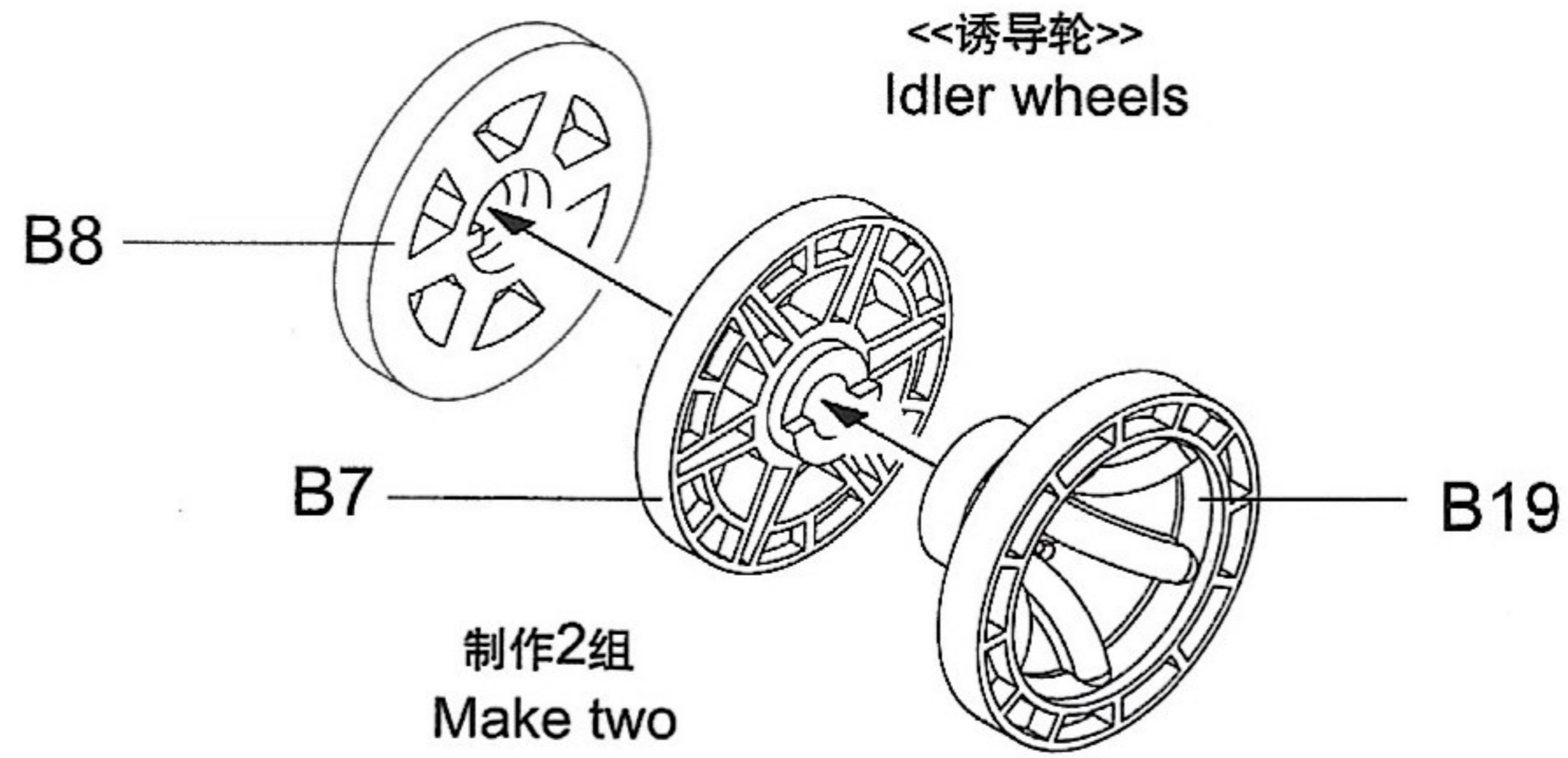
C23

C22

B18

<<对侧相同>>  
Both sides

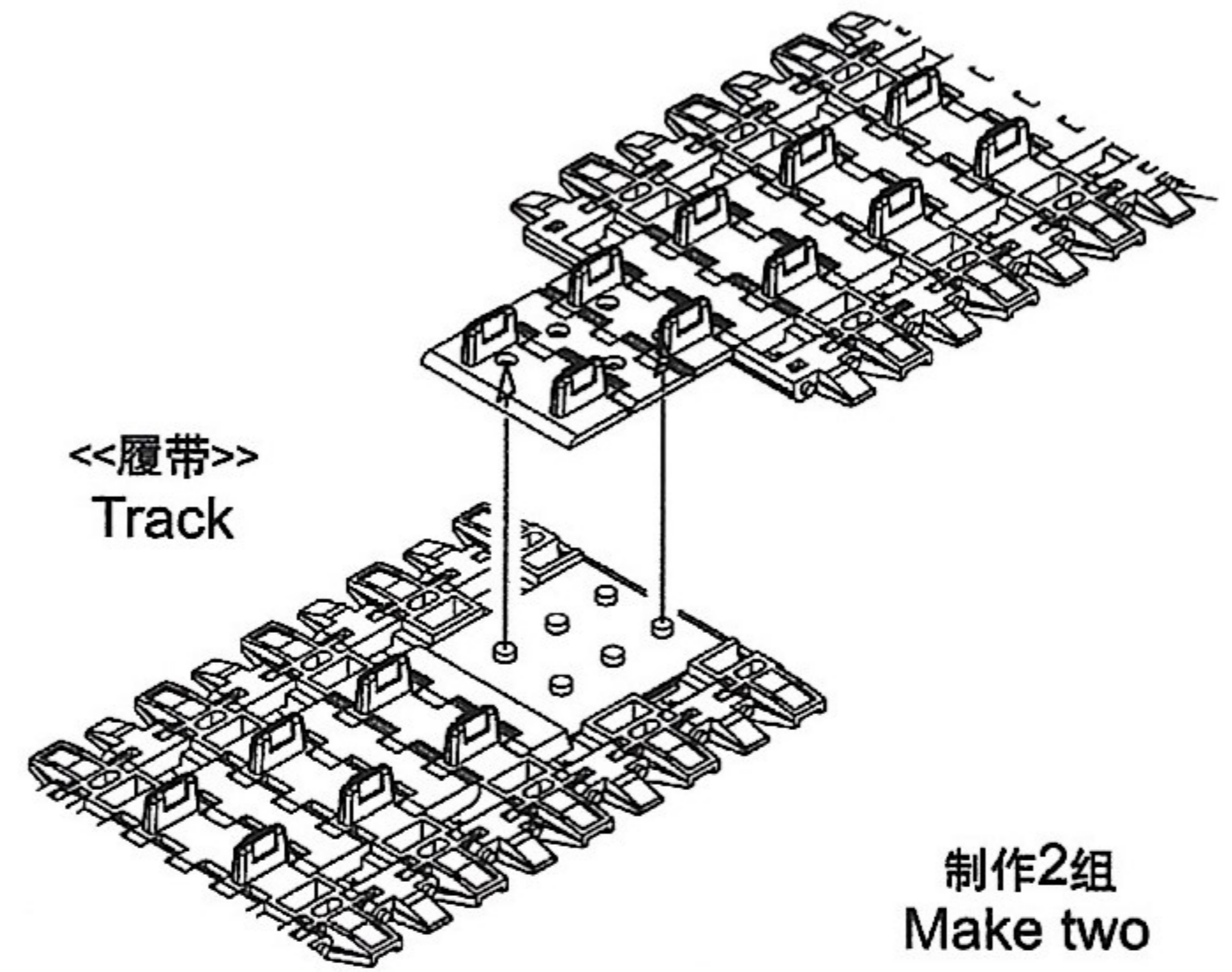
9



10

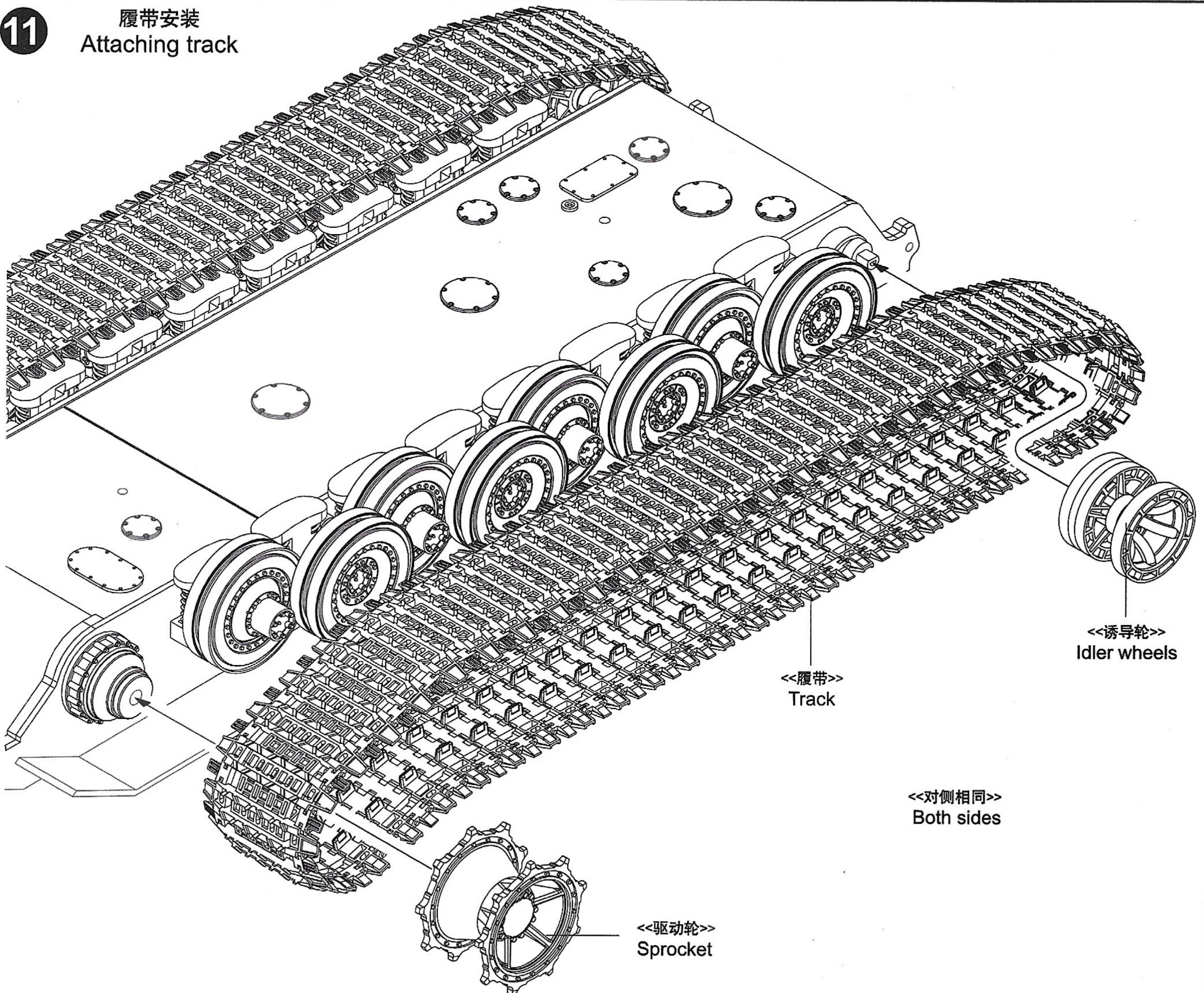
履带联接  
Track construction

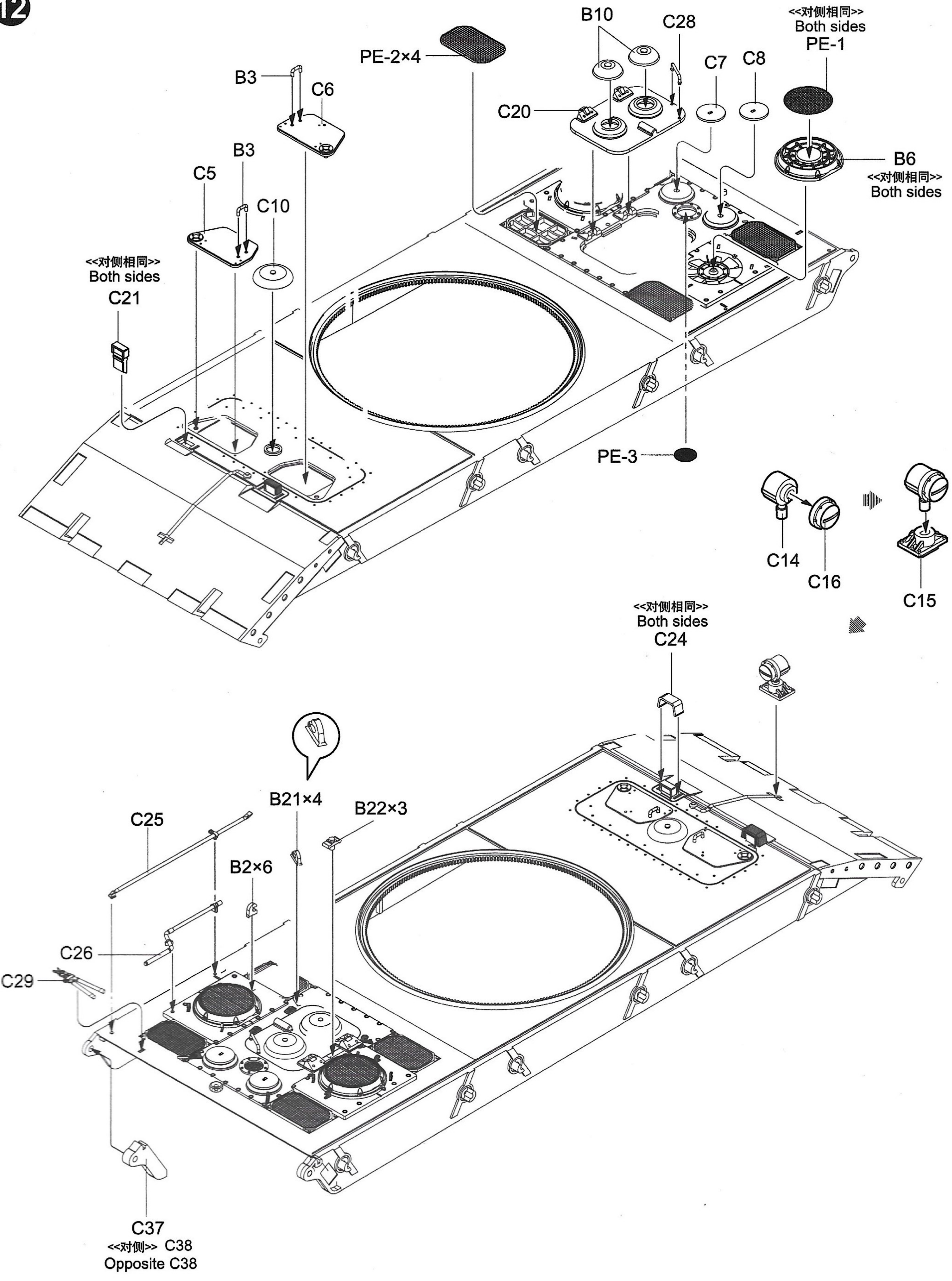
- \*履带可用塑料胶水粘合。
- \*履带可用模型油漆喷涂。
- \*若履带断裂，用细丝线固定。
- \*The tracks in this kit can be glued using plastic cement.
- \*The tracks can be painted using plastic paints.
- \*If track is broken strengthen with staples or thread.



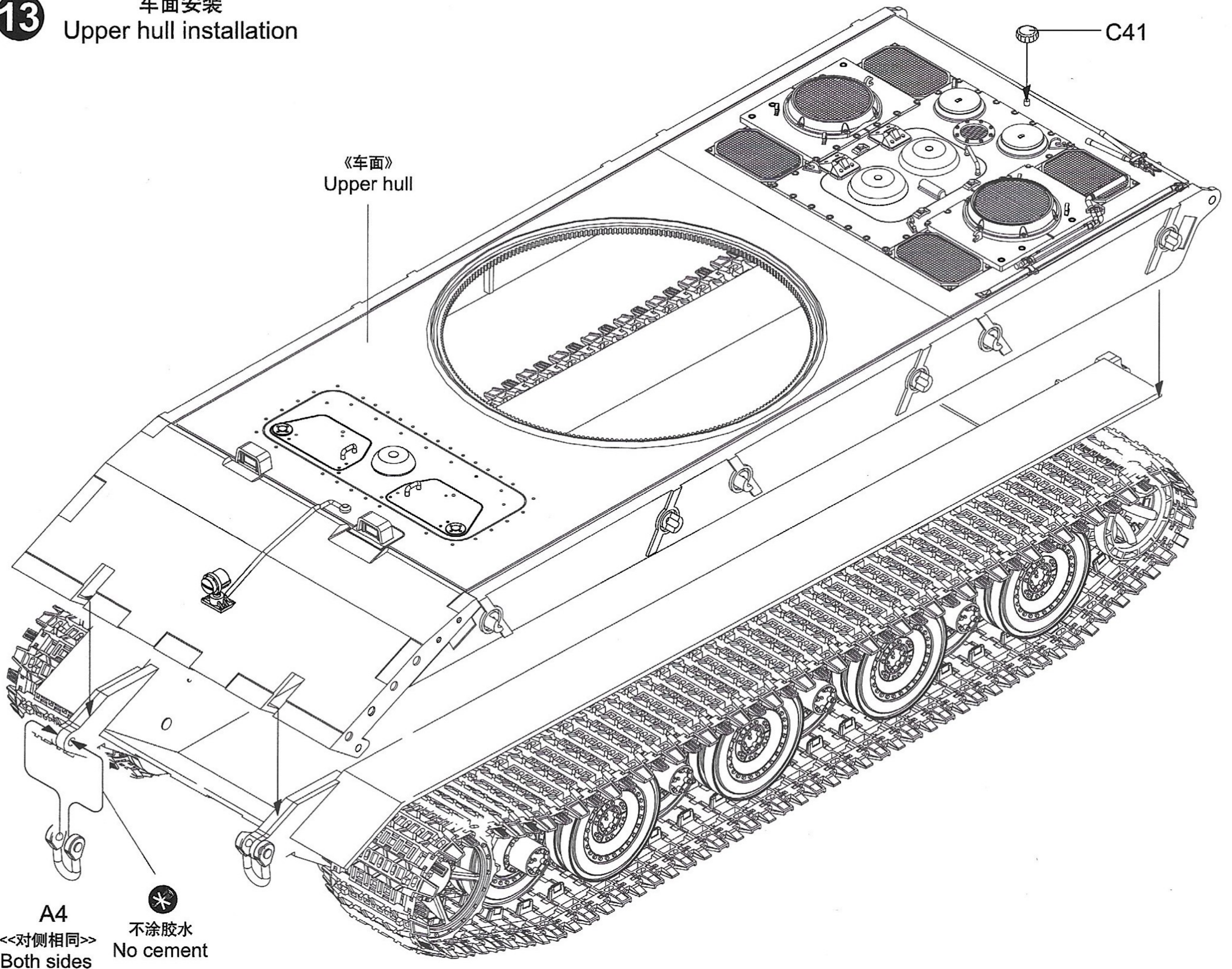
11

履带安装  
Attaching track

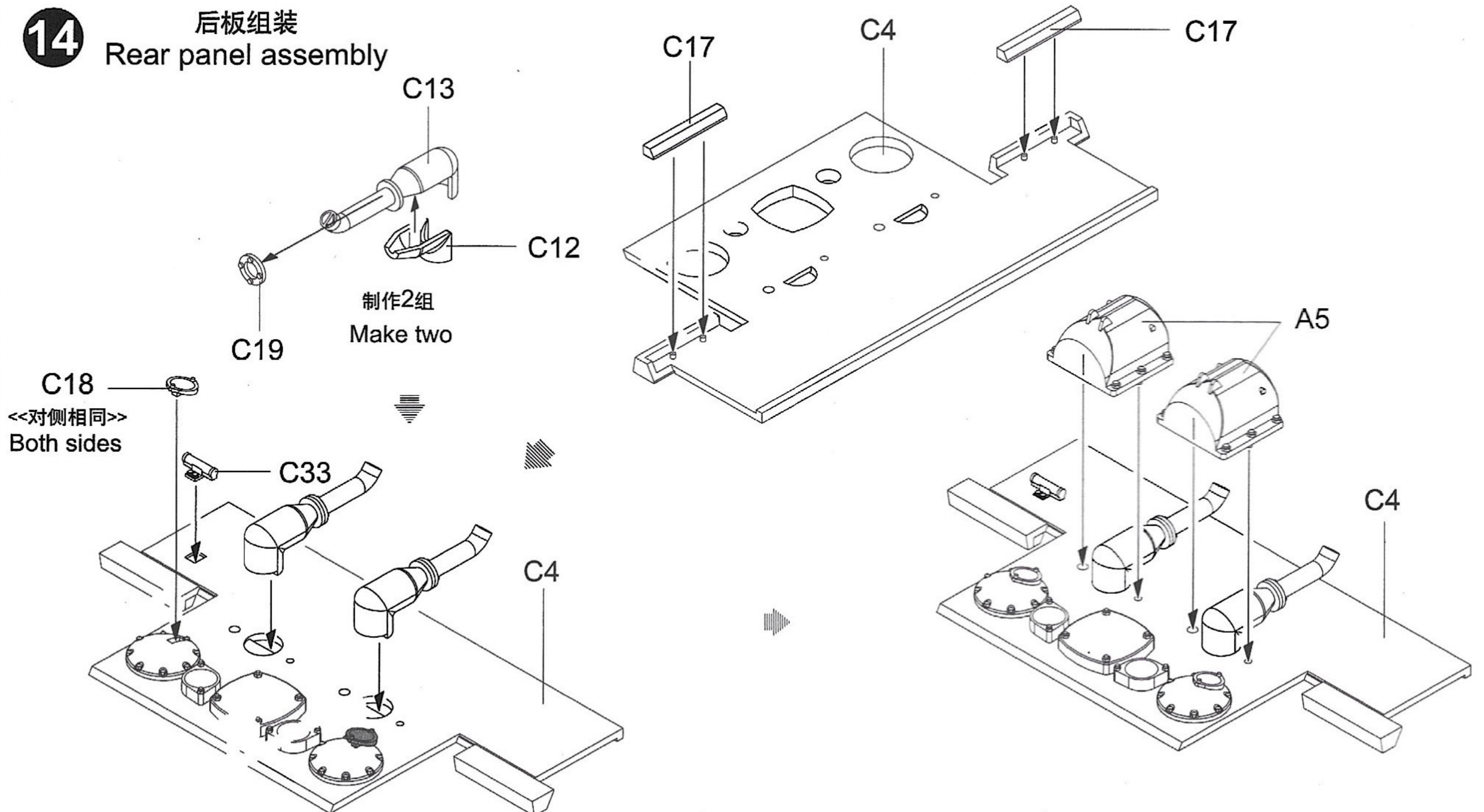




**13** 车面安装  
Upper hull installation

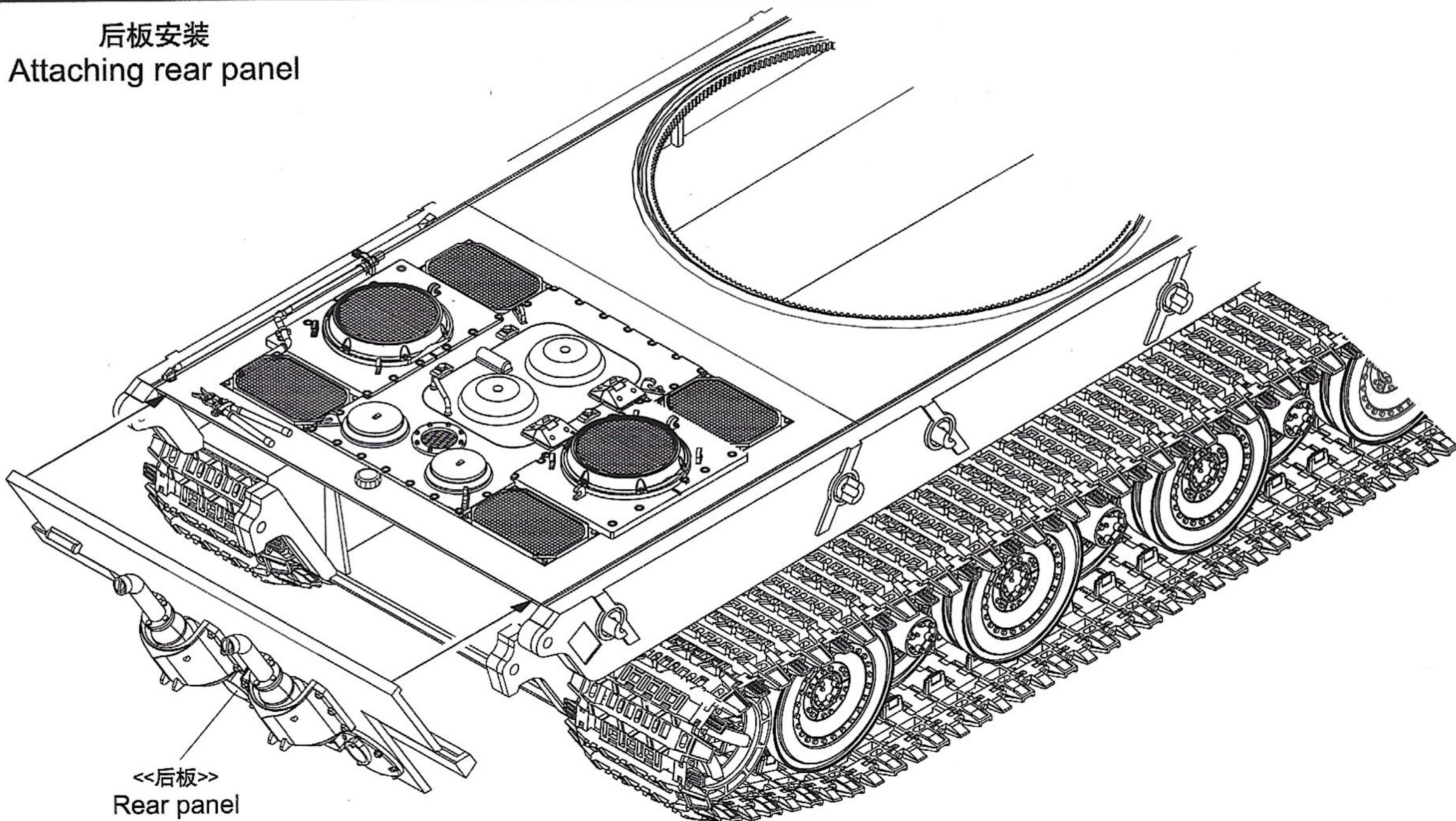


**14** 后板组装  
Rear panel assembly



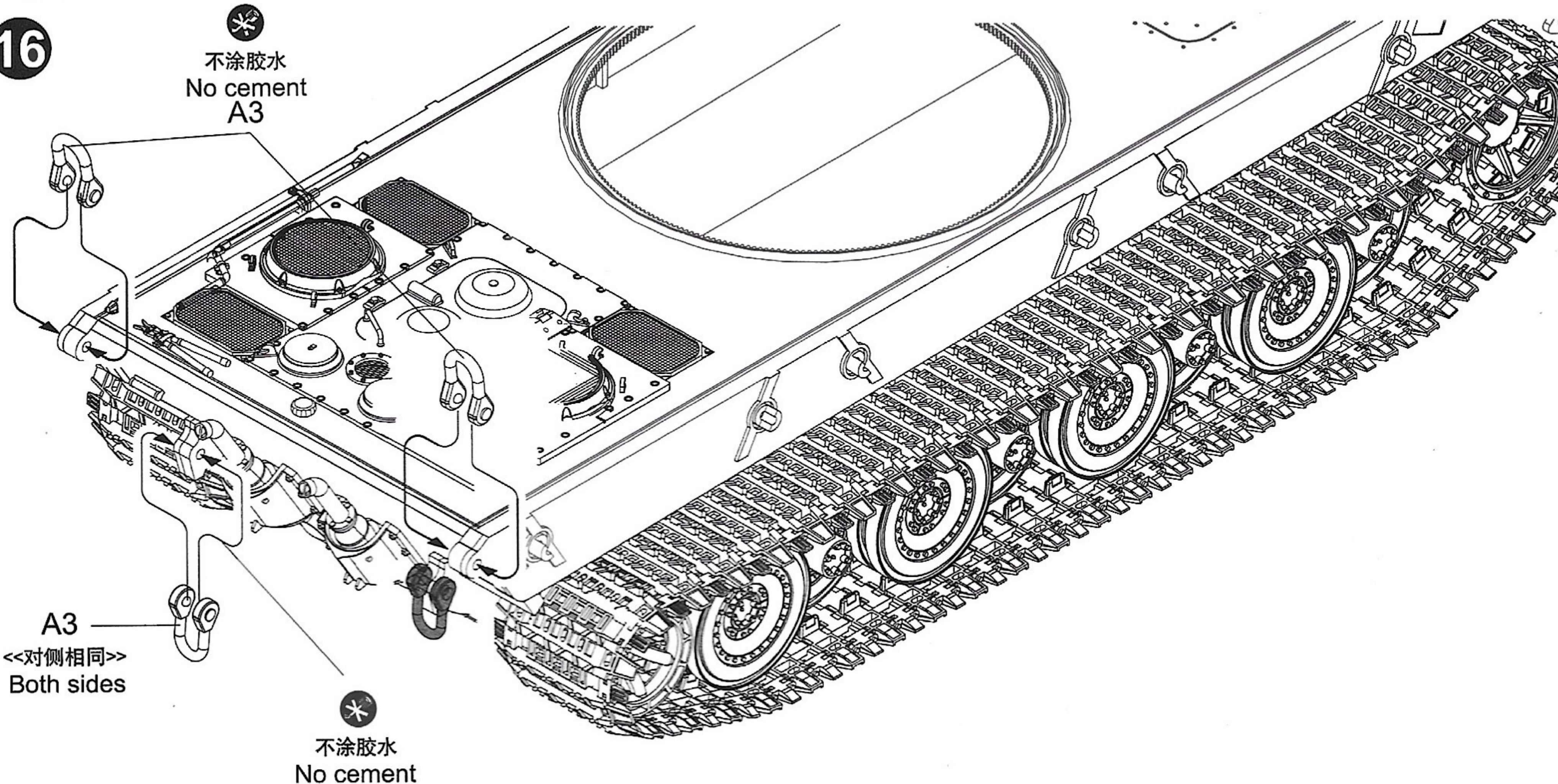
15

后板安装  
Attaching rear panel

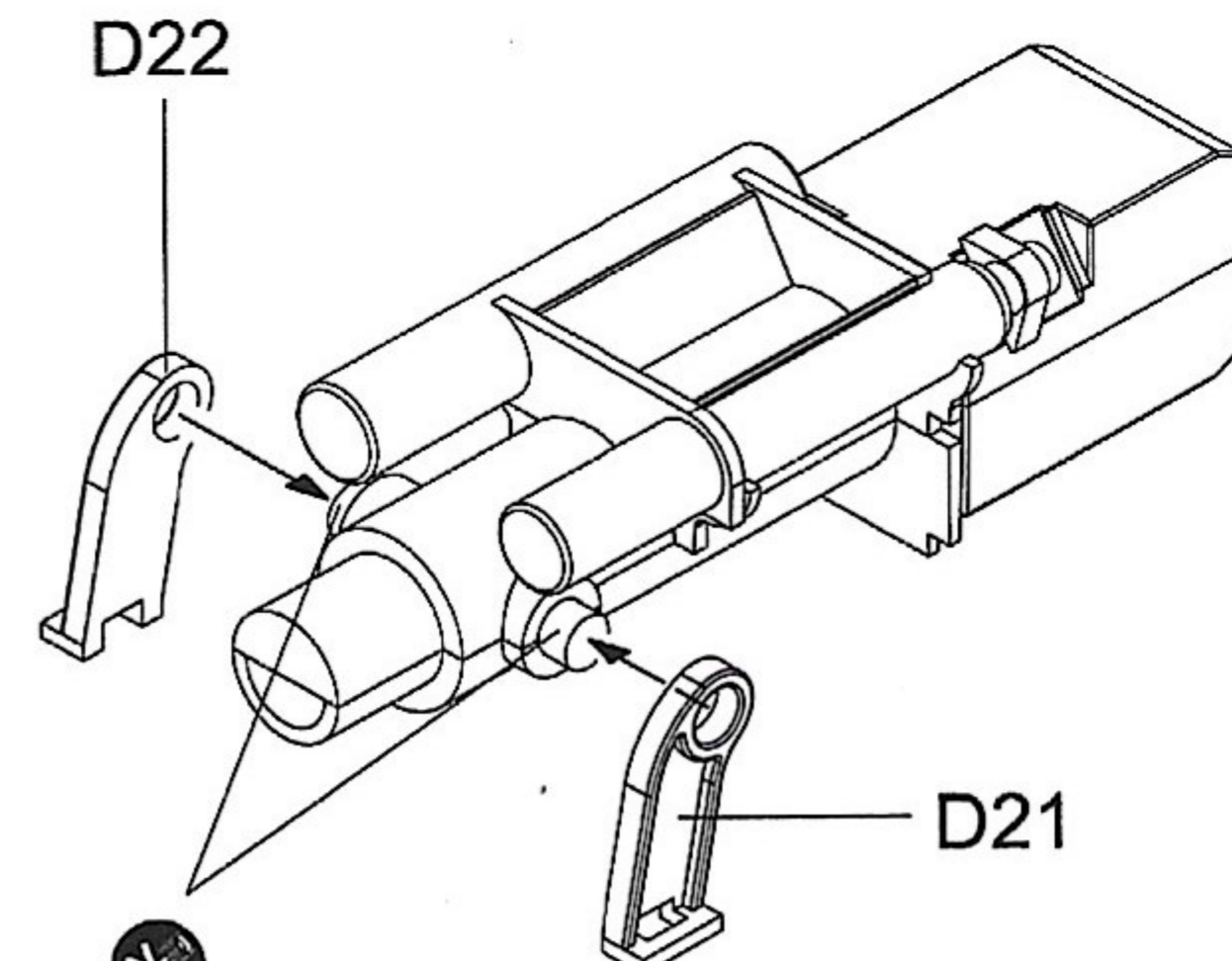
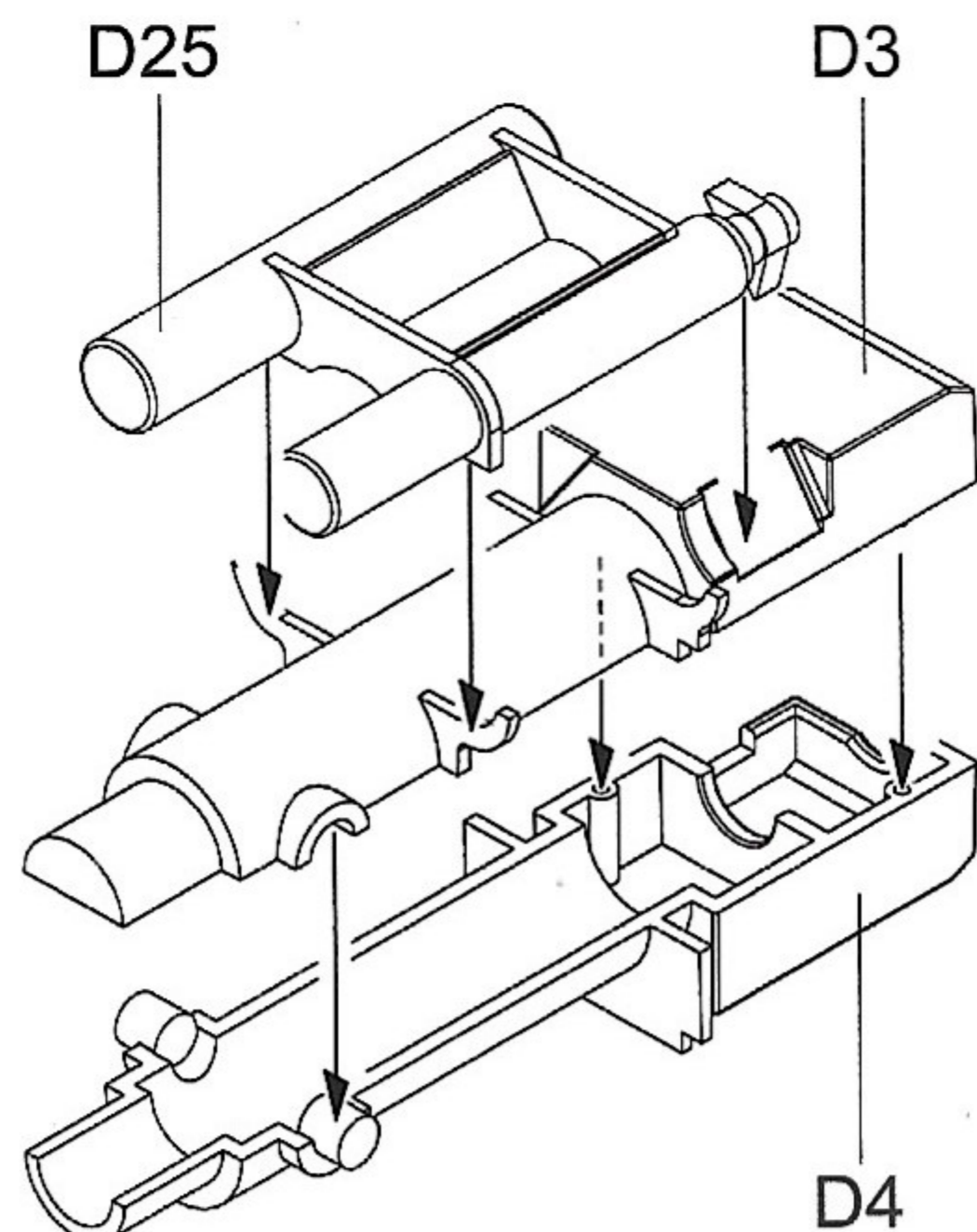


16

不涂胶水  
No cement  
A3

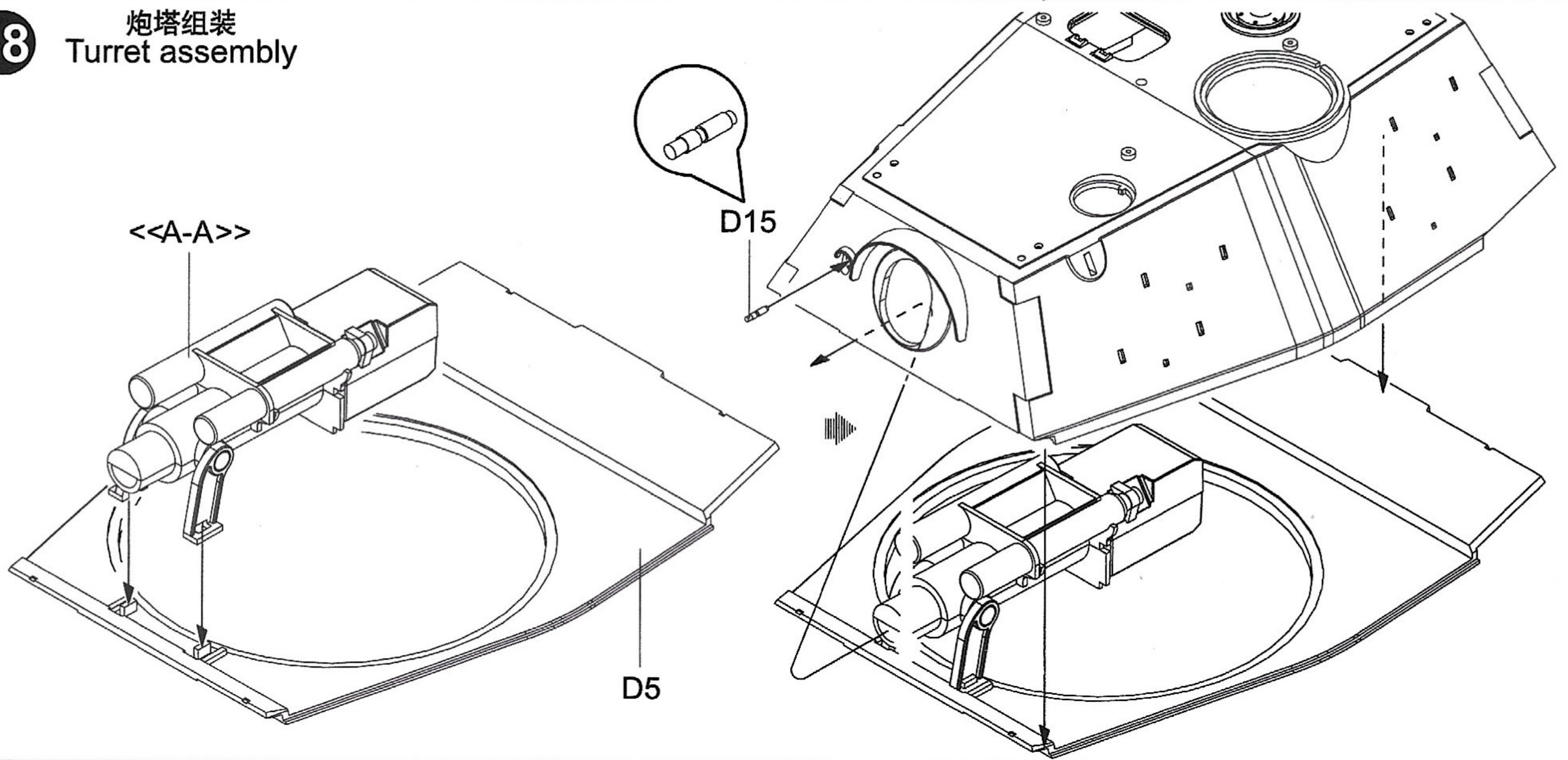


17

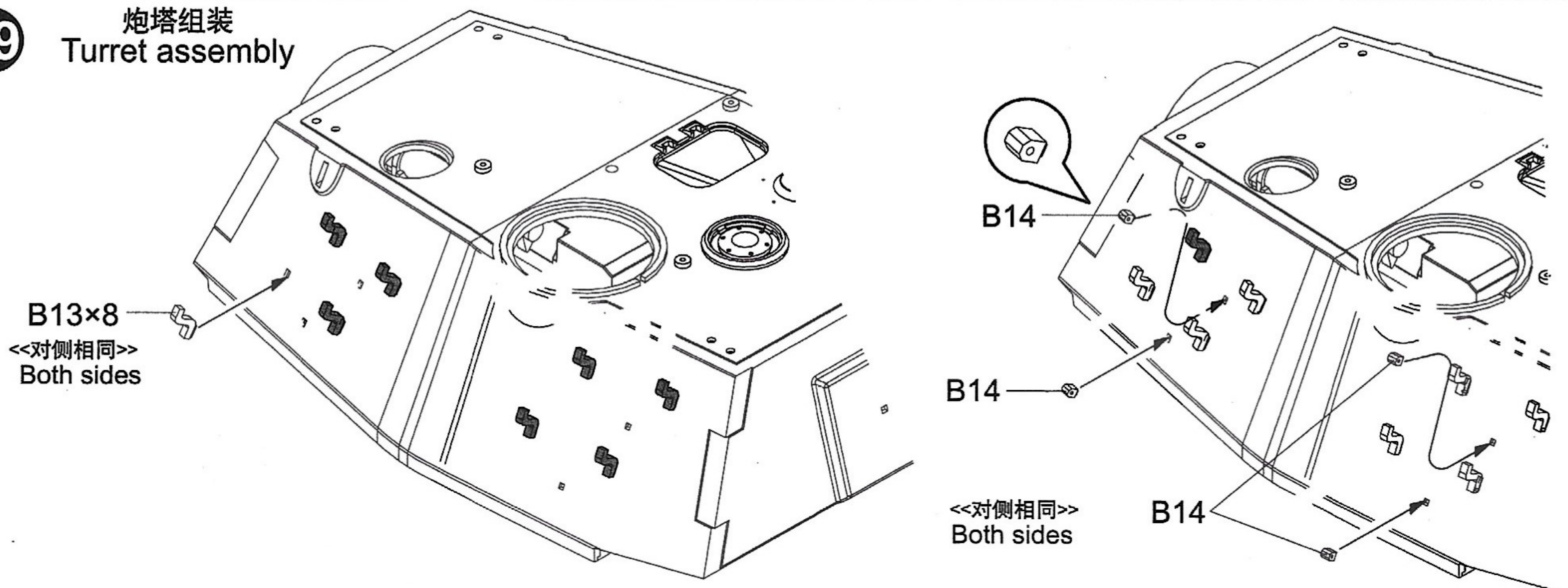


<<A-A>>

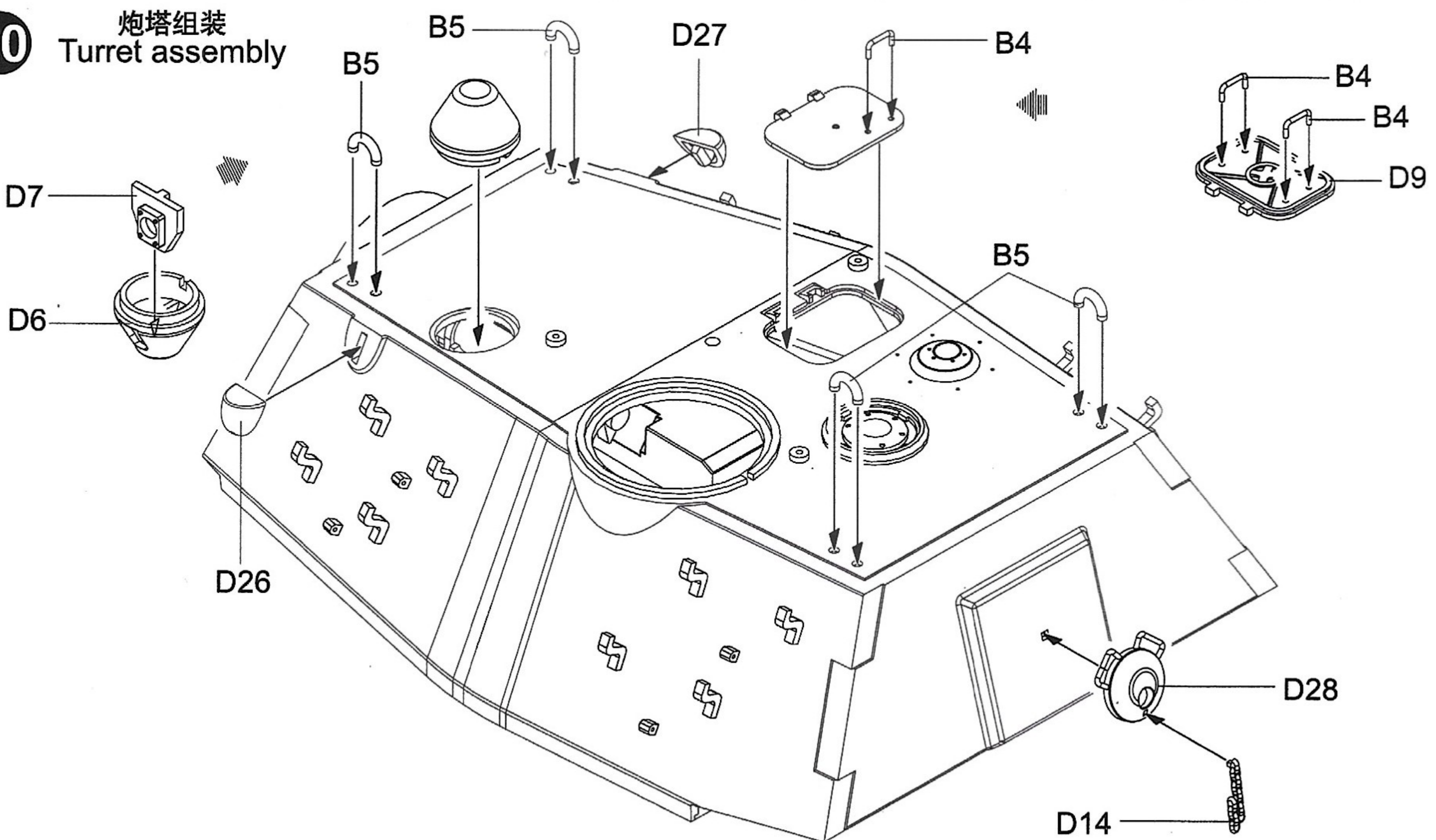
**18** 炮塔组装  
Turret assembly



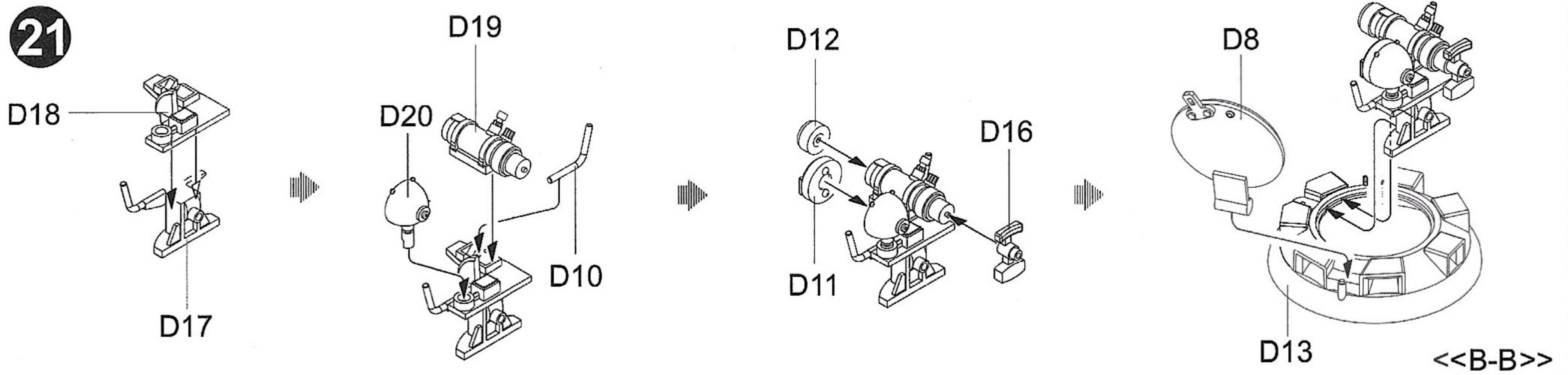
**19** 炮塔组装  
Turret assembly



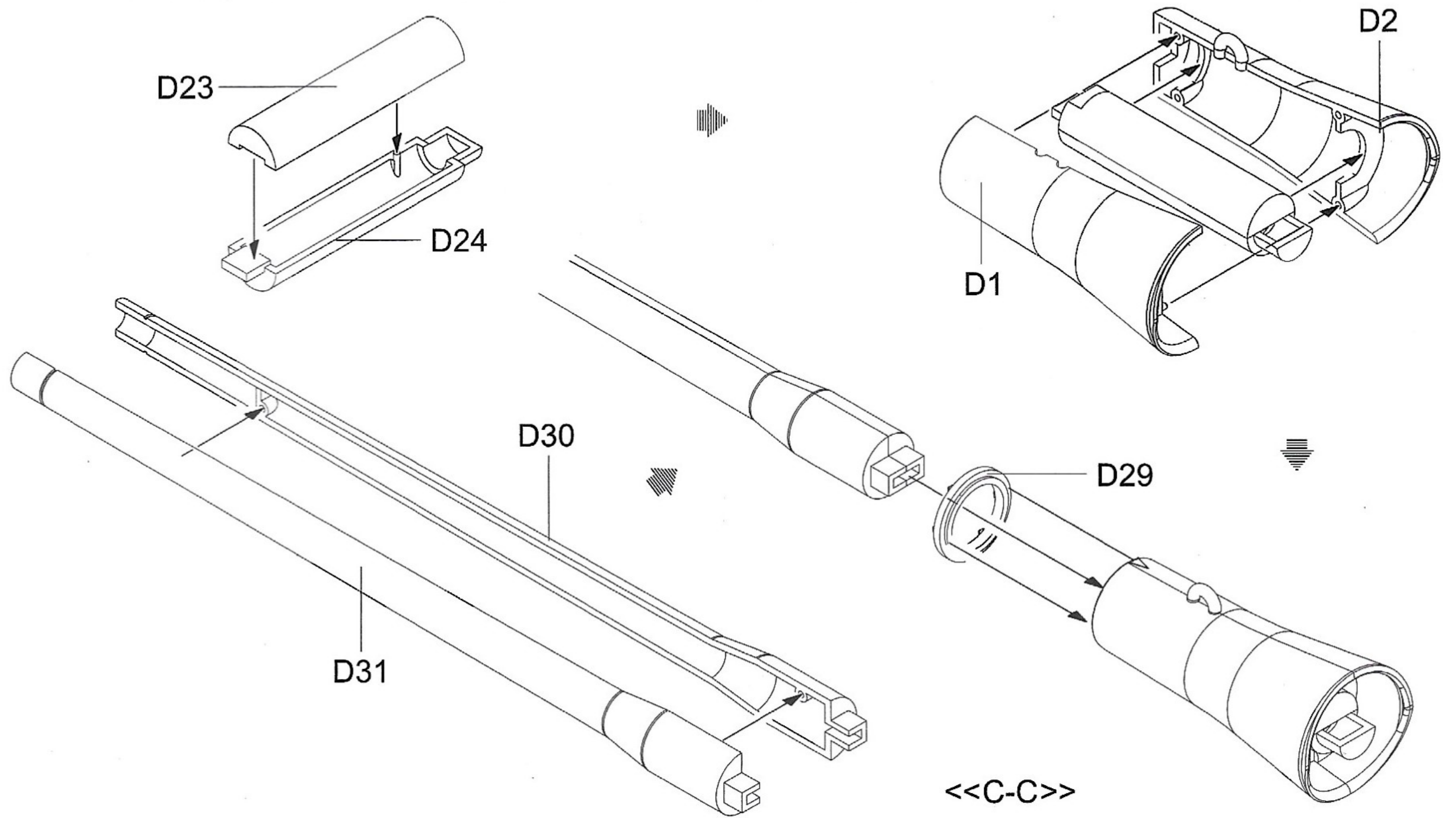
**20** 炮塔组装  
Turret assembly



21

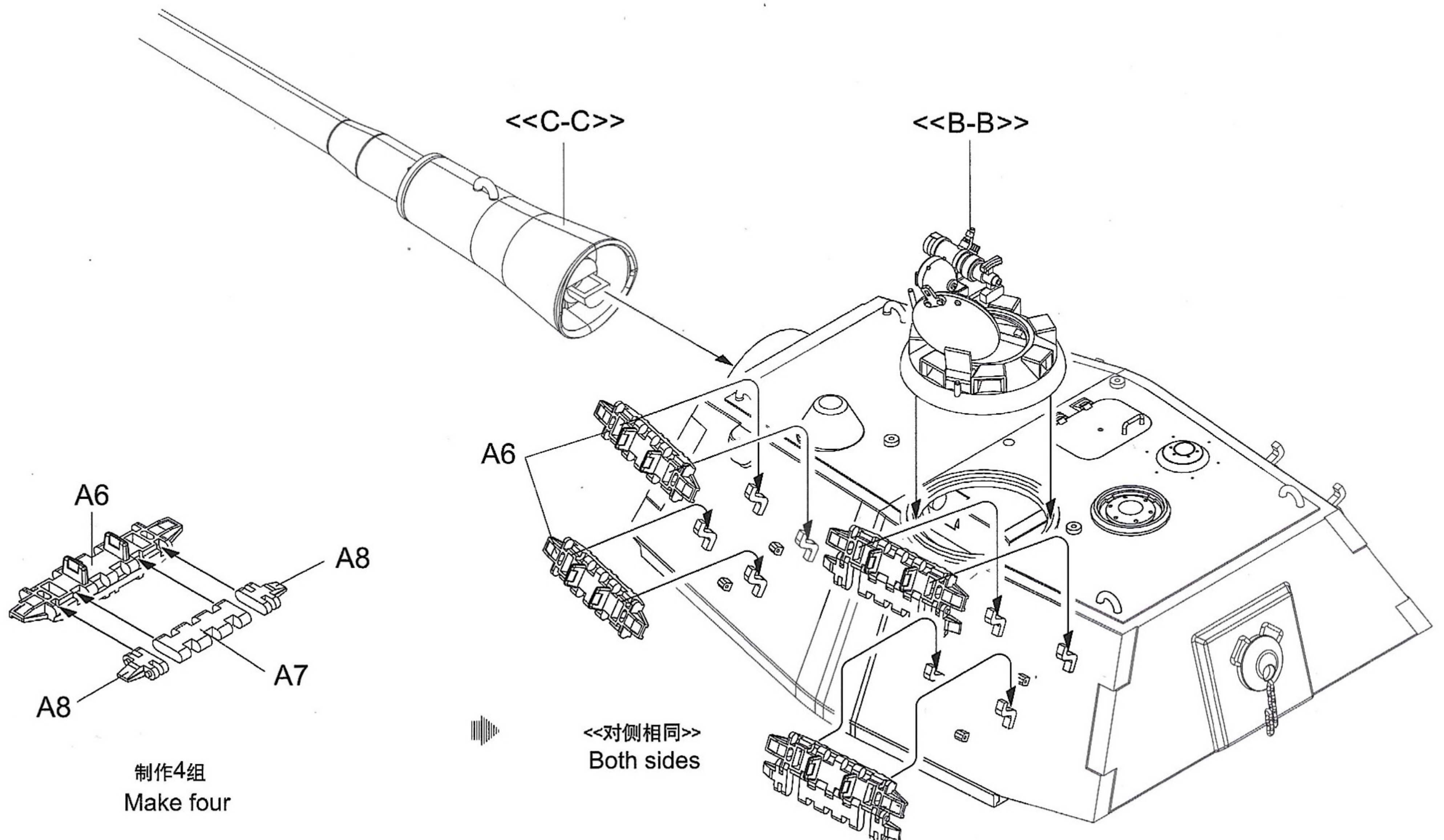


22



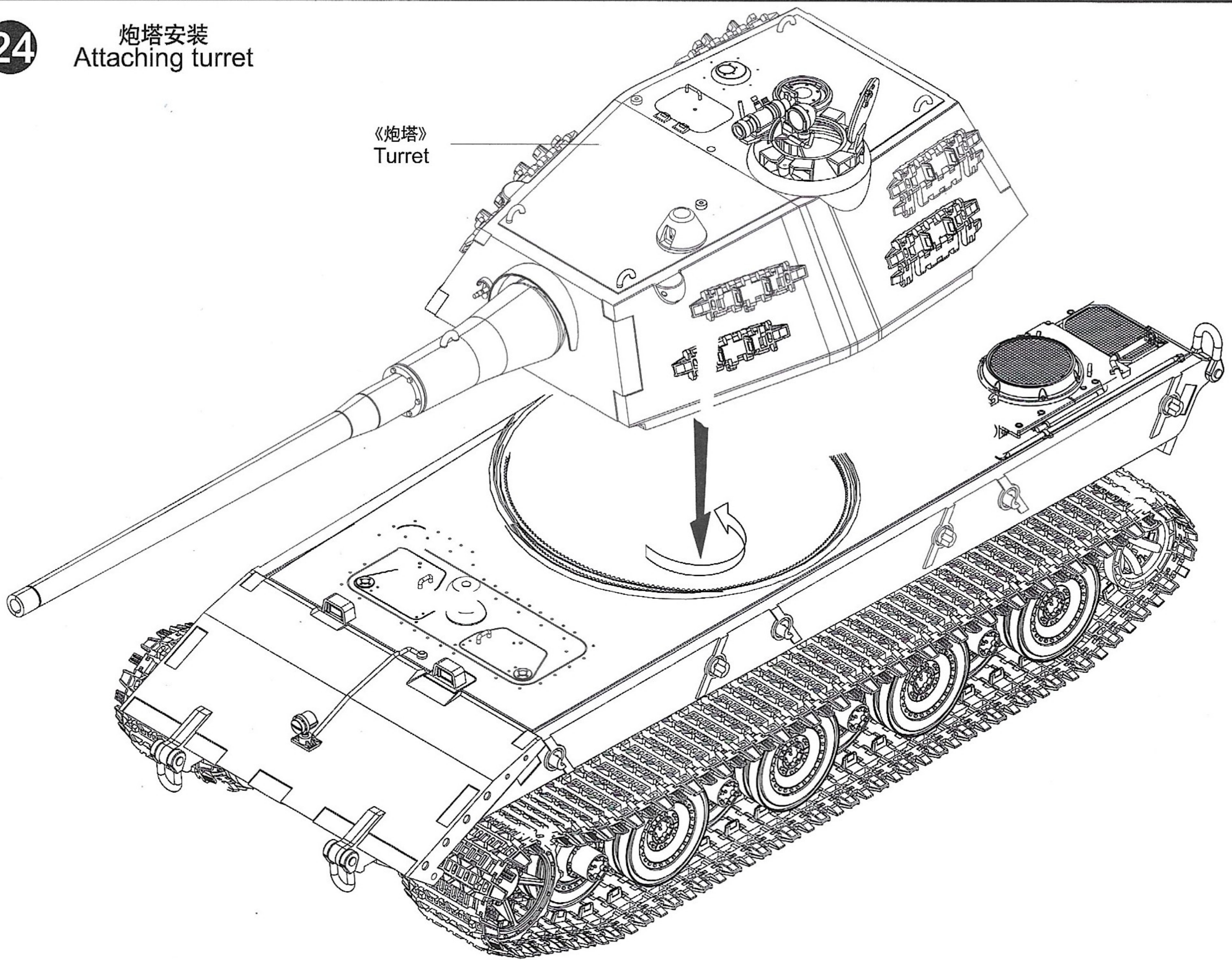
23

炮塔组装  
Turret assembly



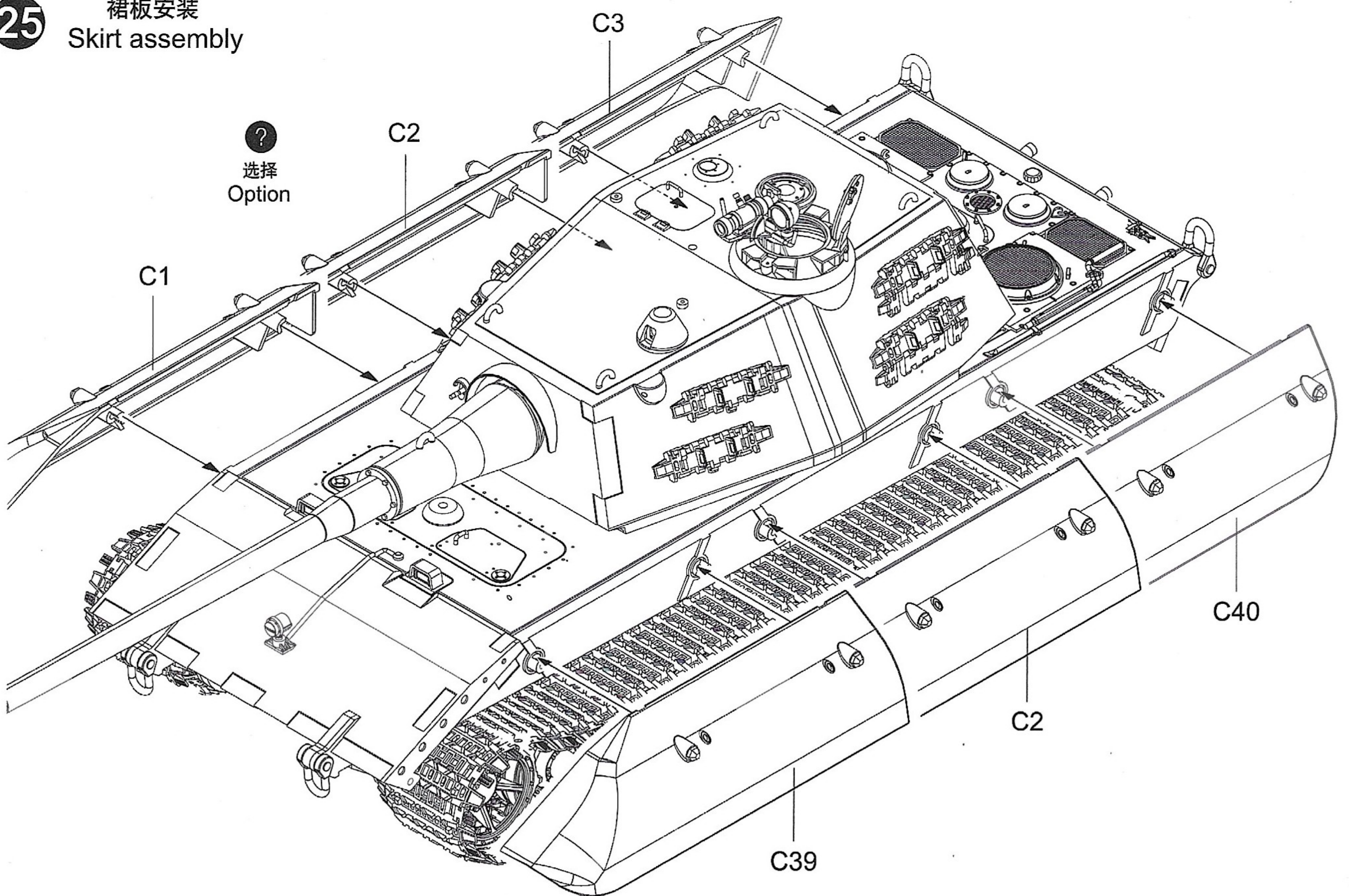
24

炮塔安装  
Attaching turret



25

裙板安装  
Skirt assembly



# 涂装同标贴指示 Painting & Marking guide

使用HOBBY涂料 Mr. Color used

H 71 39	暗黄色 Sandy yellow (Dark yellow)	H 93 50	透明蓝 Clear Blue
H 47 41	红棕色 Red brown	H 70	战车绿 Green
H 90 47	透明红 Clear Red		

