

German Sd.Kfz.9 18TON HALF-TRACK & Sd.Ah.116

德国 Sd.Kfz.9 18吨半履带牵引车及Sd.Ah.116坦克运输车

READ BEFORE ASSEMBLY:

- This kit is not recommended for inexperienced modelers or for children under 14 years of age
- Study and understand these instructions thoroughly before beginning assembly
- When needed, remove photo-etch parts carefully using a modeling knife or photo etch sprue cutter, being careful not to damage or lose small parts.
- Take extra care in handling photo etch parts in order to avoid injury
- Apply instant cement sparingly to photo etch parts where instructed
- Tools recommended(not included in kit):Plastic and instant cements,sprue cutters,long nose pliers,,modeling knife, small files, tweezers, pin vise & scissors. Soft cloth and sandpaper will also assist in construction
- Glue and paint are not included in the kit. Use plastic cement and hobby paints only. Color guide for purchasing paint is included in the kit.
- Keep out of reach of children. They must not be allowed to ingest small parts or handle plastic bags in any way.

装配之前仔细阅读

- 小心用模型锉刀锉平所有零件表面的注射浇口。
- 小心用刀片切下蚀刻片零件，不要遗失小零件。
- 用强力快干胶水粘合蚀刻片零件和金属轴。过量的快干胶水使用可能导致可动零件会粘住，小心涂胶。
- 取蚀刻片时应特别注意安全，防止利边划伤手指。
- 某些零件表面需贴水上贴纸，请选择在装配的同时进行。
- 推荐模型工具(自备)：胶水，水口剪刀，长咀钳，刀片，锉刀，镊子，钳，钻，剪刀，瞬间快干胶。
- 软布同砂纸同时也应该是必备工具。
- 请使用塑料胶水和油漆，模型内不含。
- 谨防小孩吸吮塑料零件，或者将塑料袋套在头上，制作时应将套材远离小孩接触。
- 本产品不适合14岁以下没有经验的模型爱好者



cyanoacrylate glue
使用强力胶



weight
配重



make hole
钻孔



cut / remove
切除



bend
弯曲



file / sand
锉平



option
选择



no cement
不涂胶水



decal
贴纸

水贴纸的使用:

1. 从水贴上剪下印花;
2. 将印花放入温水中浸10秒，然后放在干净布上。
3. 拿着印花纸板将印花移到模型上;
4. 手指蘸水将印花移到适当的位置;
5. 用软布轻压印花直至水干，气泡消失。

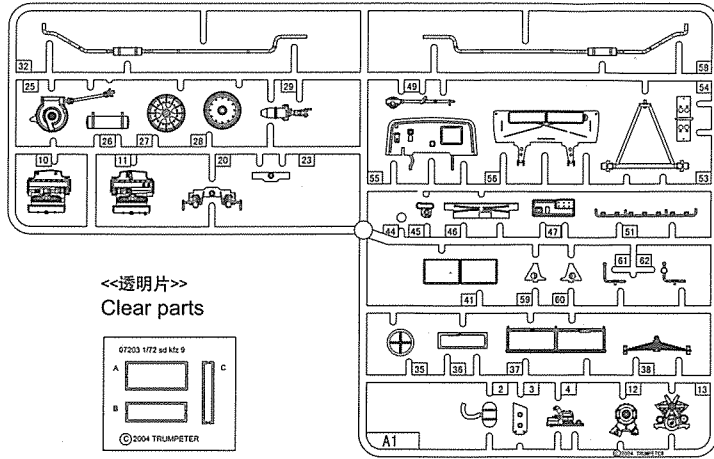
DECAL APPLICATION

1. Cut off decal from sheet.
2. Dip the decal in tepid water 40°C for about 10 sec. and place on a clean cloth.
3. Hold the backing sheet edge and slide decal onto the model.
4. Move decal into position by wetting decal with finger.
5. Press decal gently down with a soft cloth until excess water and air bubbles are gone.

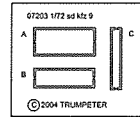
拖车部品图 Tractor Parts

A

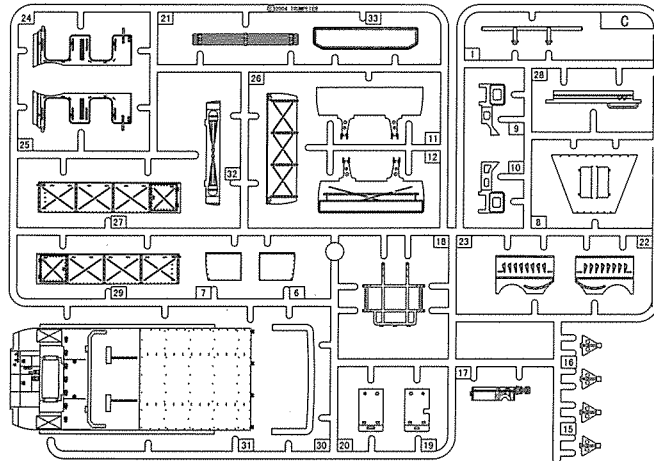
<<履带>>X2
TrackX2



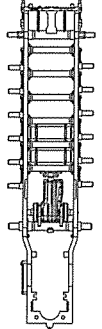
<<透明片>>
Clear parts



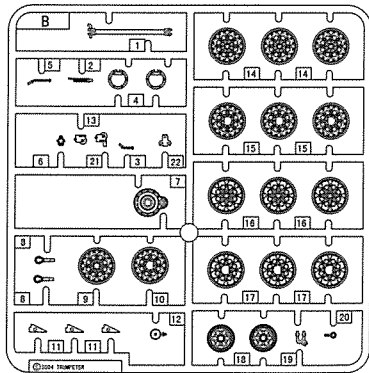
C



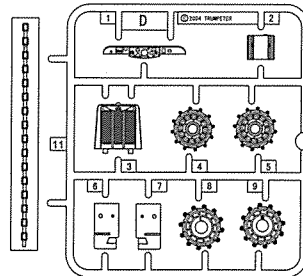
<<车架>>
Chassis



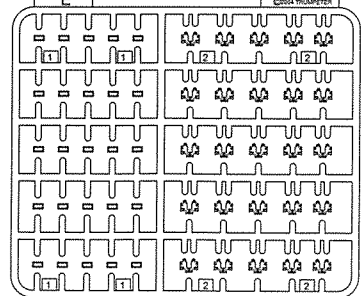
BX2



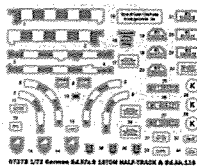
D



EX4



<<水贴纸>>
Decal

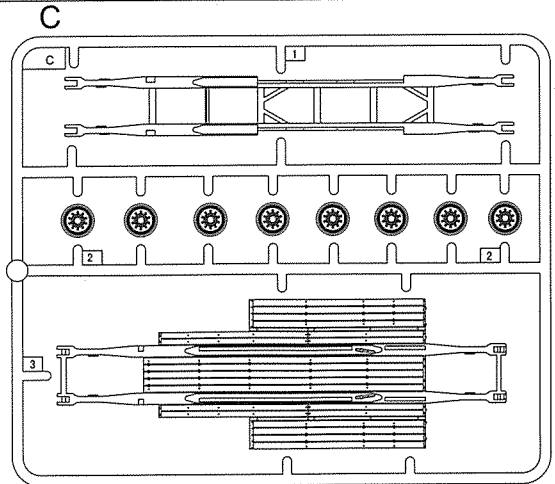
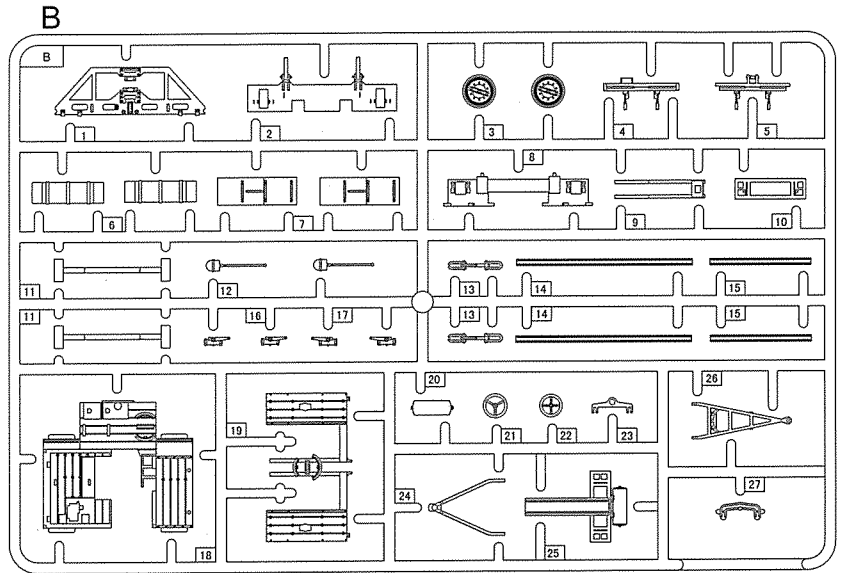
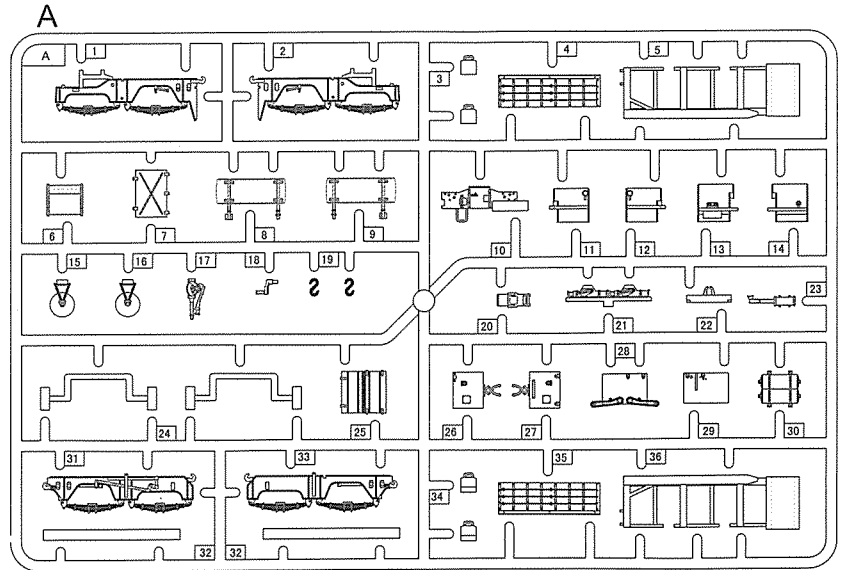


<<棉绳>> ϕ 0.5X450mm
Rope ϕ 0.5X450mm



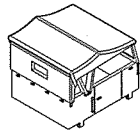
轮胎x3
Tirex3

拖板部品图 Trailer Parts



《驾驶室》

Cab



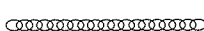
《轮胎》X10
Tire



《棉绳》 $\phi 0.5 \times 300\text{mm}$
Rope



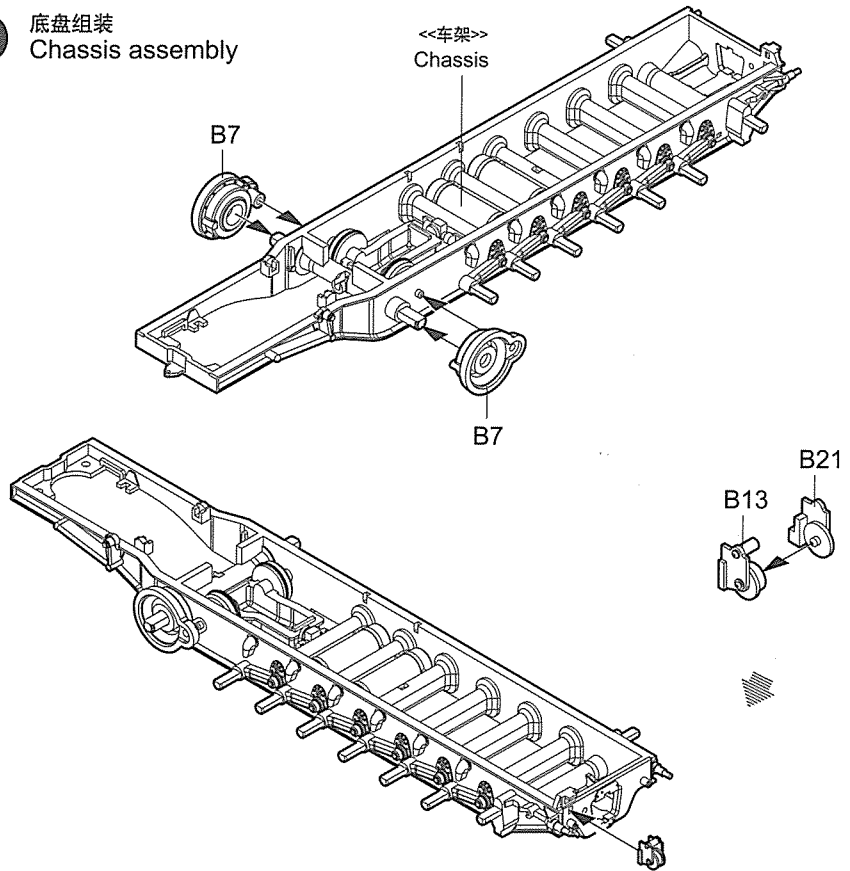
《链条》1.1X0.7X50mm

Chain 

07275

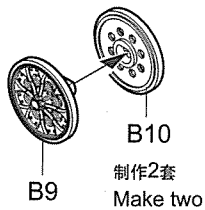
3

1 底盘组装
Chassis assembly

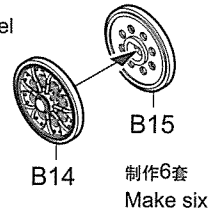


2 车轮组装
Assembly of wheel

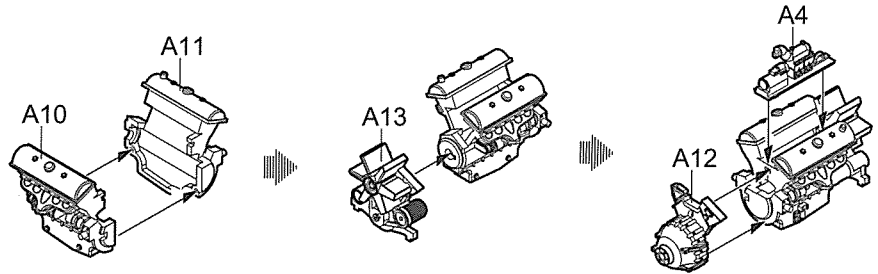
<<诱导轮>>
Idler wheel



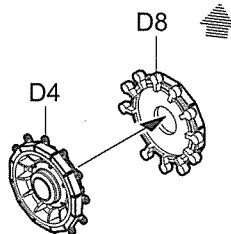
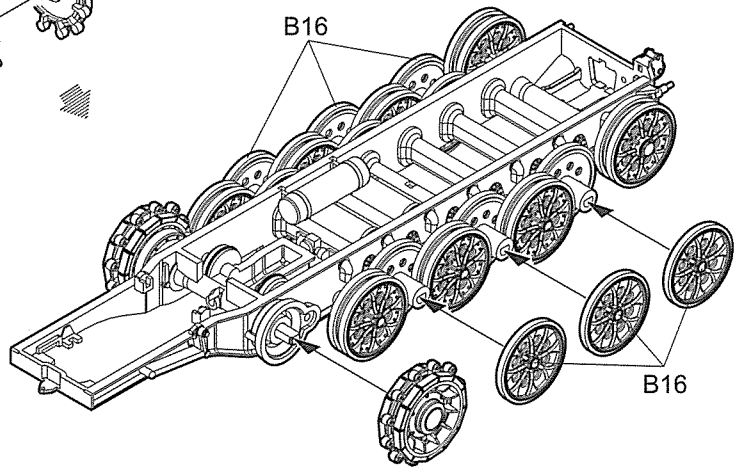
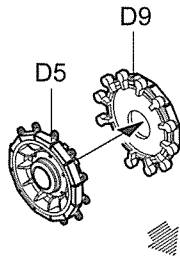
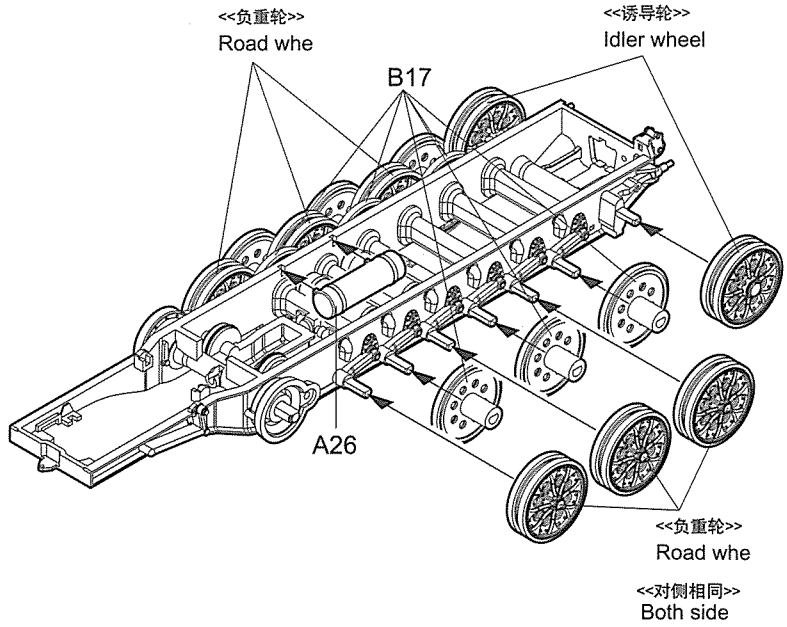
<<负重轮>>
Road wheel



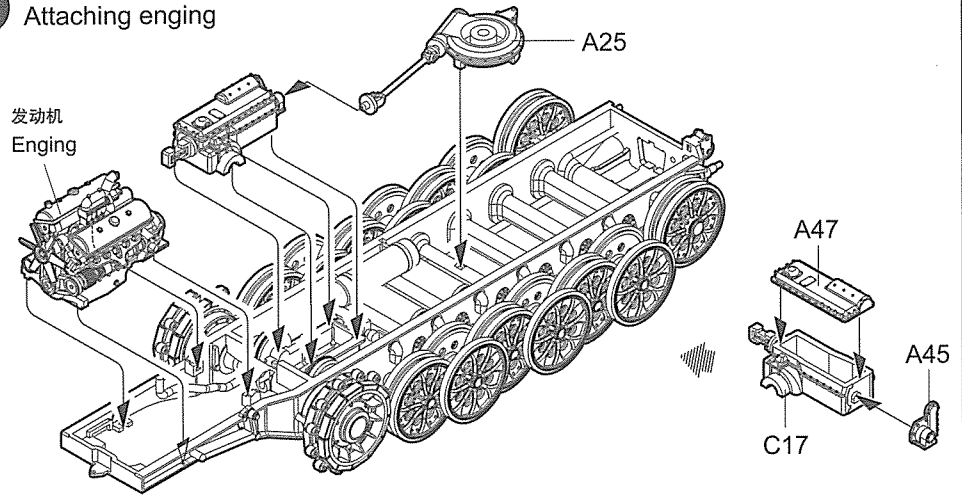
3 发动机组装
Engine assembly



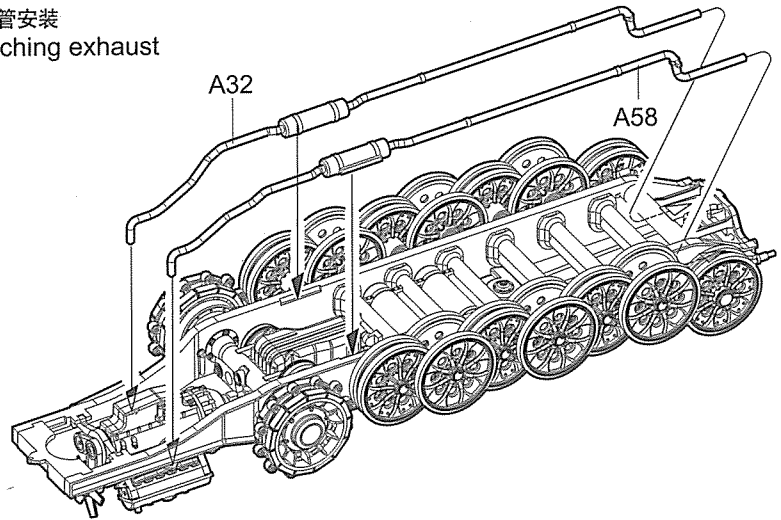
4 车轮安装
Attaching wheel



5 发动机安装
Attaching enging

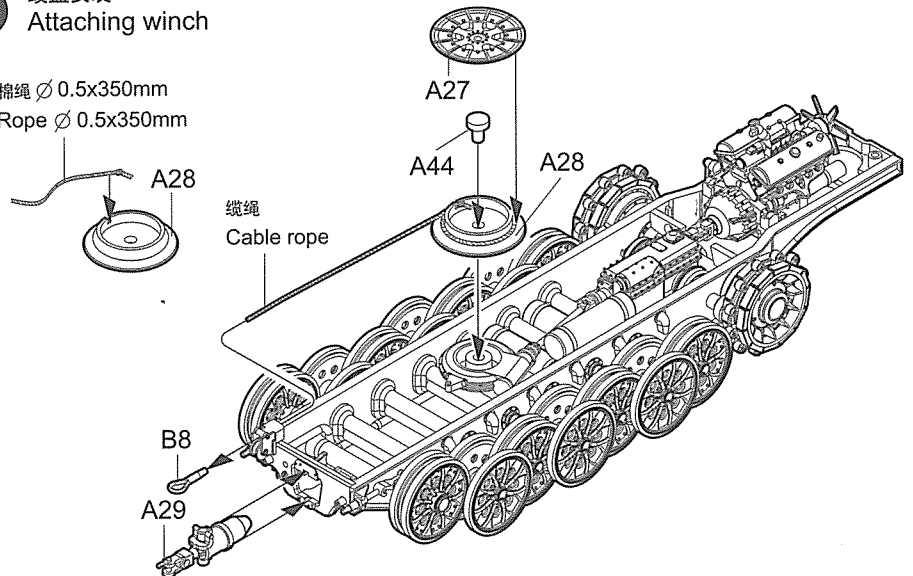


6 排气管安装
Attaching exhaust

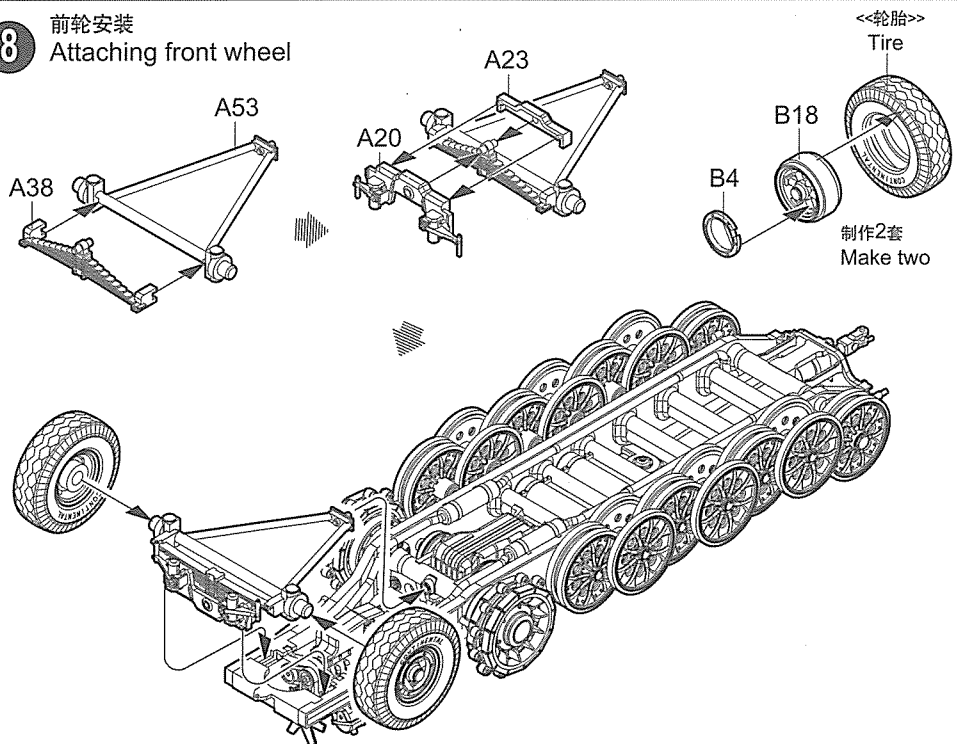


7 绞盘安装
Attaching winch

棉绳 \varnothing 0.5x350mm
Rope \varnothing 0.5x350mm

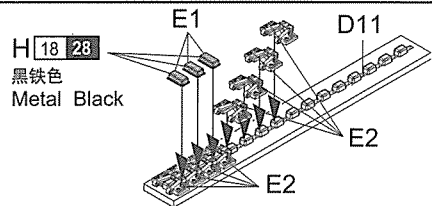


8 前轮安装
Attaching front wheel



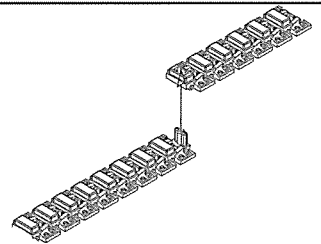
7 履带组装
Track assembly

根据实际要求选择履带节数。(47-49节)
Choose the track stanza the number according to the actual request.(forty seven-forty nine section)

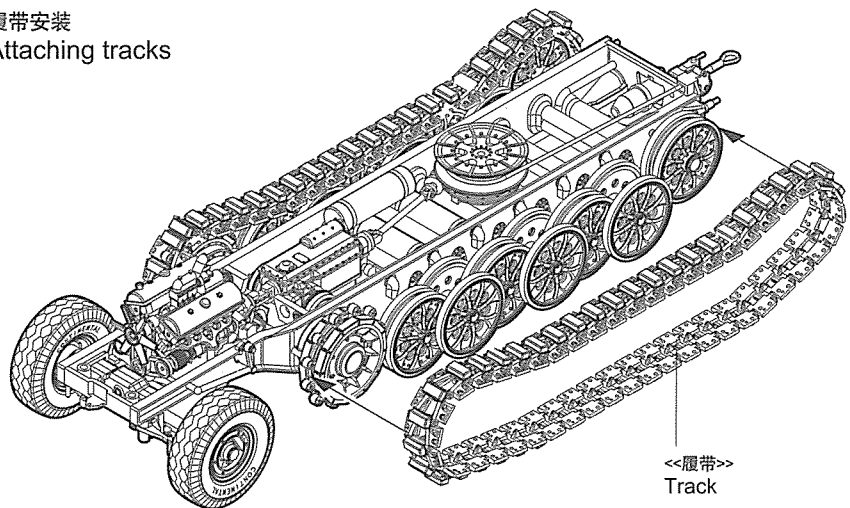


2 履带联接
Track construction

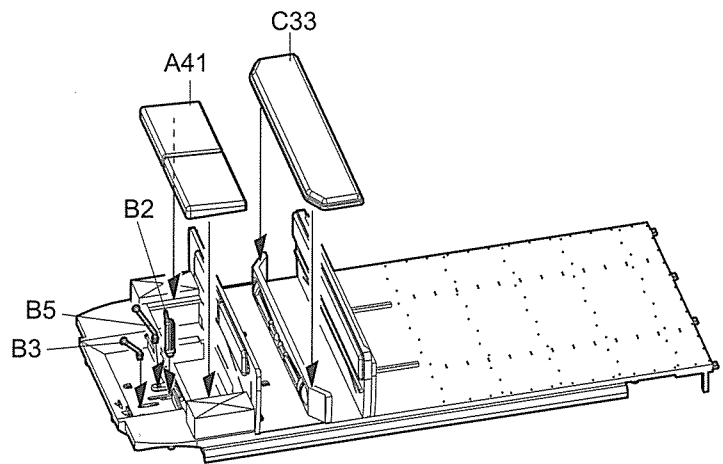
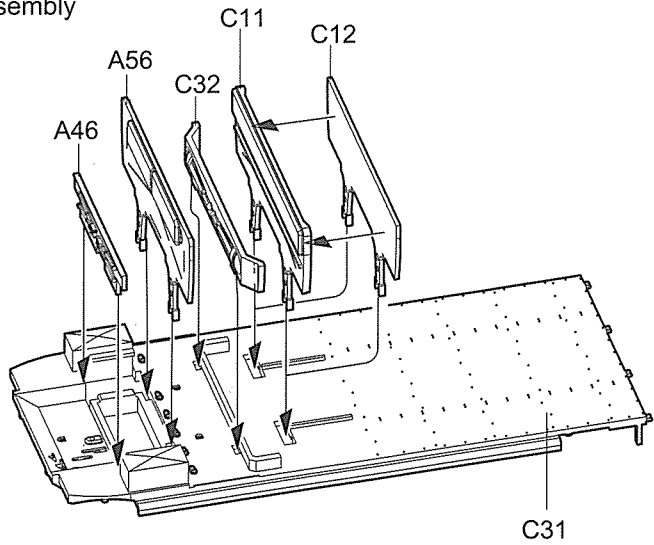
- * 履带可用塑料胶水粘合。
- * 履带可用模型油漆喷涂。
- * 若履带断裂，用细丝线固定。
- * The tracks in this kit can be glued using plastic cement.
- * The tracks can be painted using plastic paints.
- * If track is broken strengthen with staples or thread.



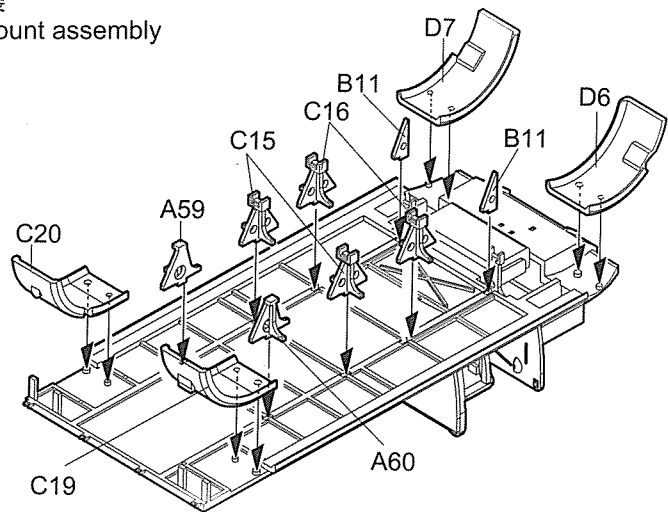
9 履带安装
Attaching tracks



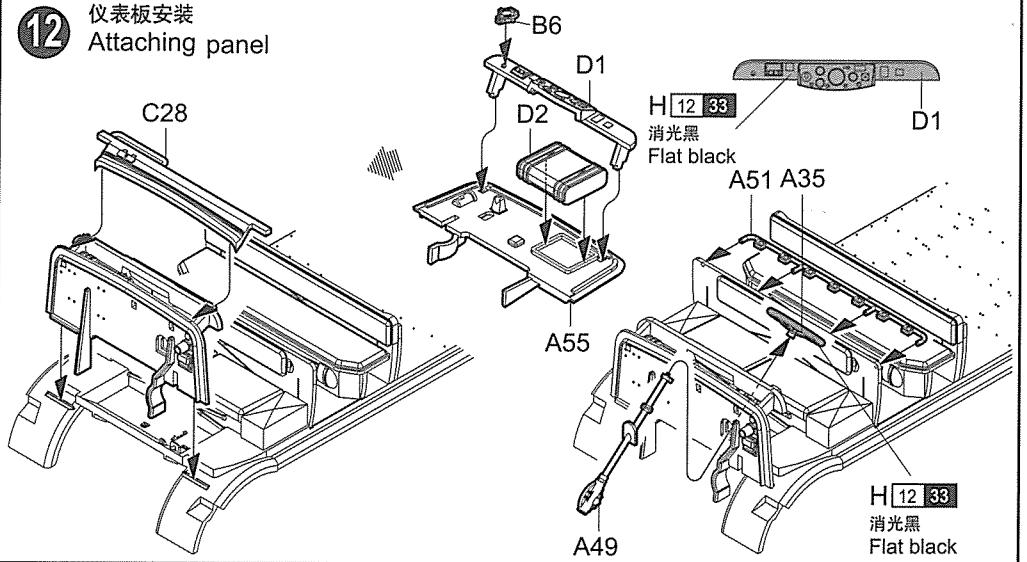
10 驾驶室组装
Cab assembly



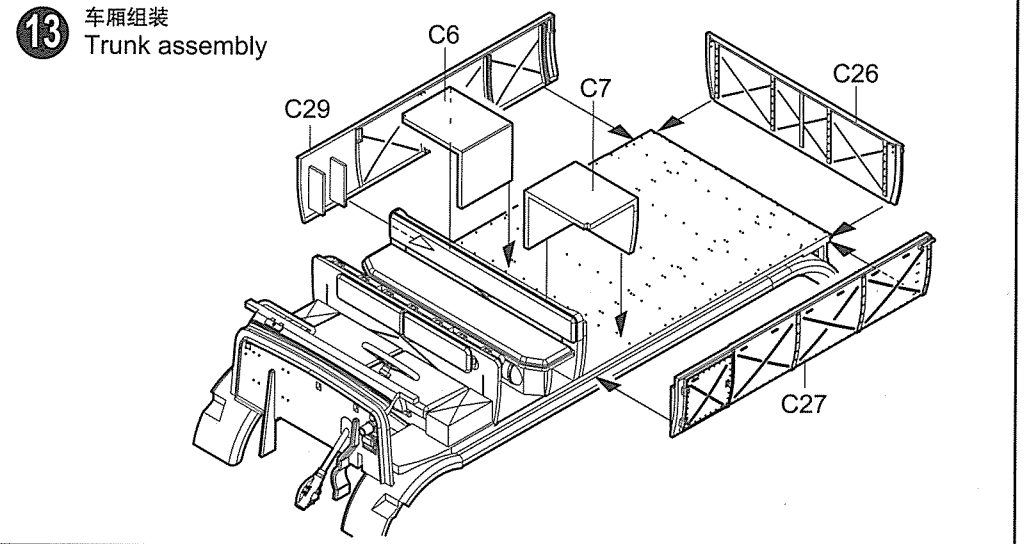
11 车厢支柱组装
Flatbed mount assembly



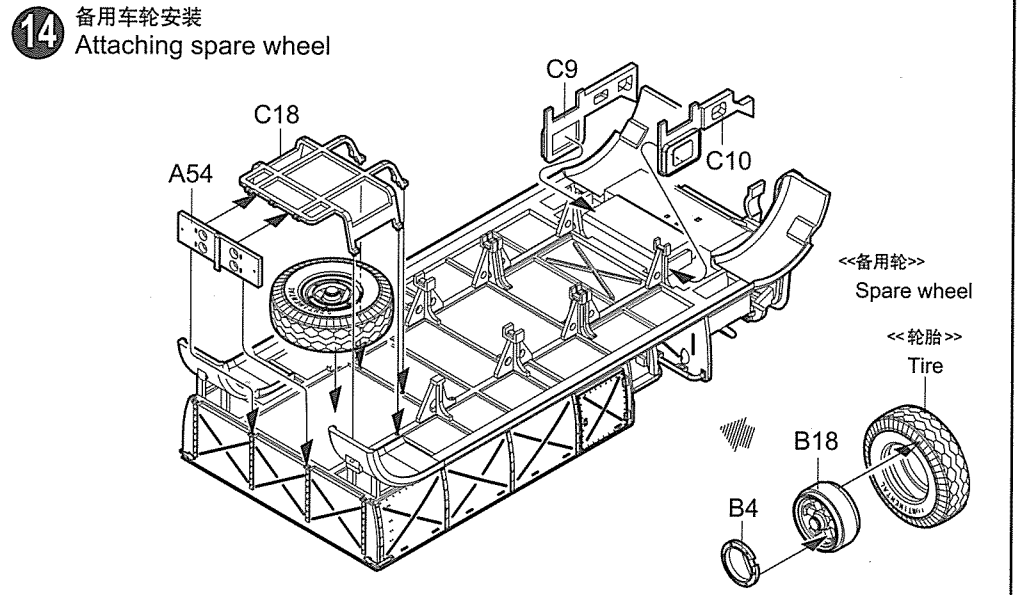
12 仪表板安装
Attaching panel



13 车厢组装
Trunk assembly



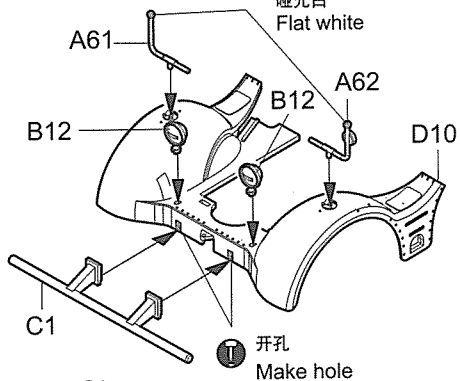
14 备用车轮安装
Attaching spare wheel



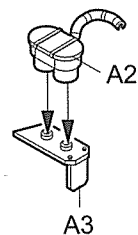
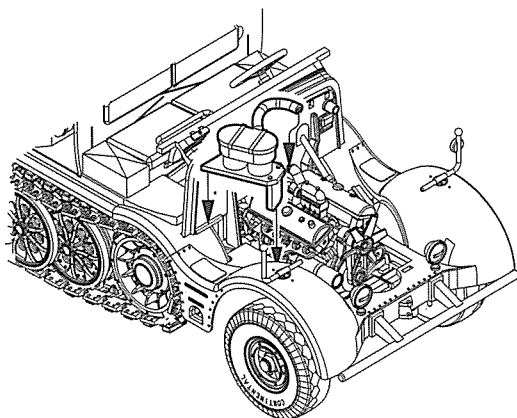
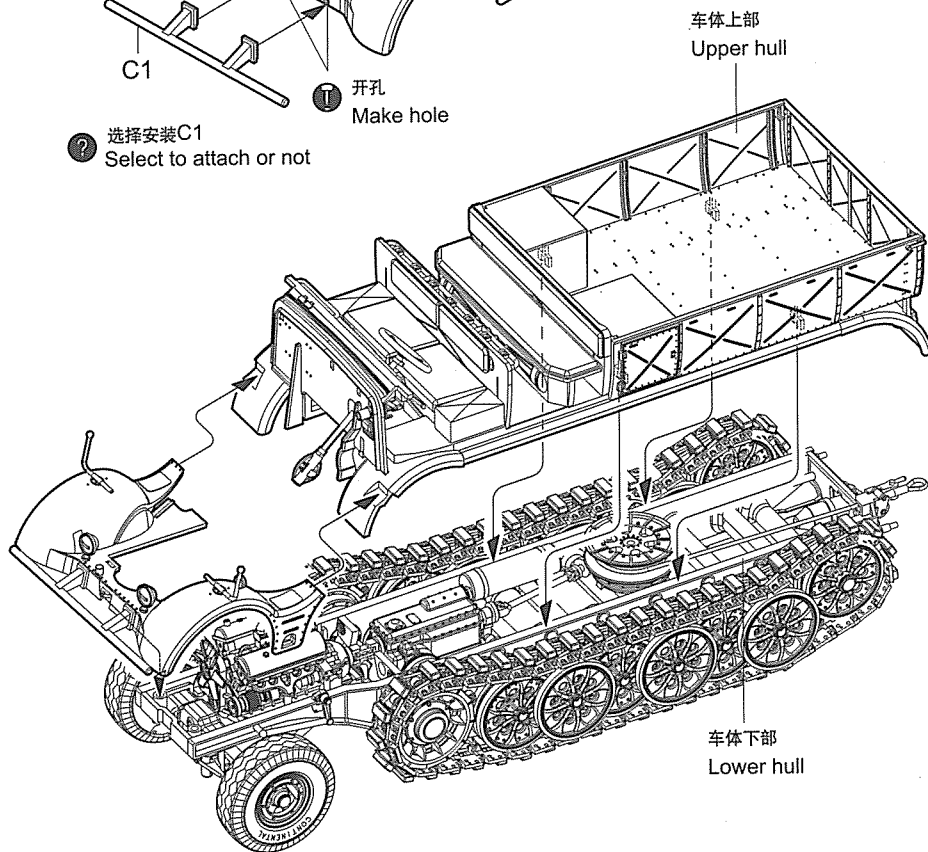
15 车体安装
Attaching body

H 11 62

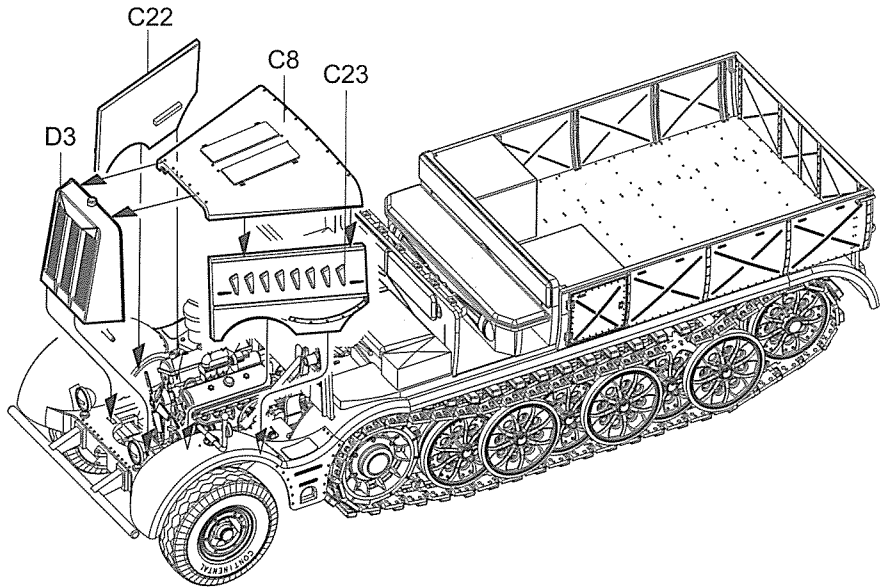
哑光白
Flat white



② 选择安装C1
Select to attach or not

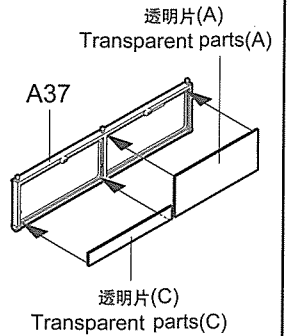
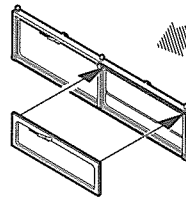
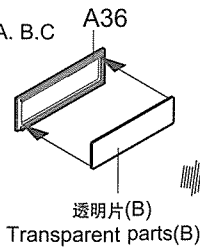
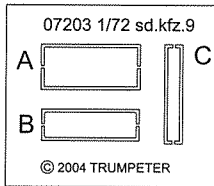


16 盖板安装
Attaching cover plate

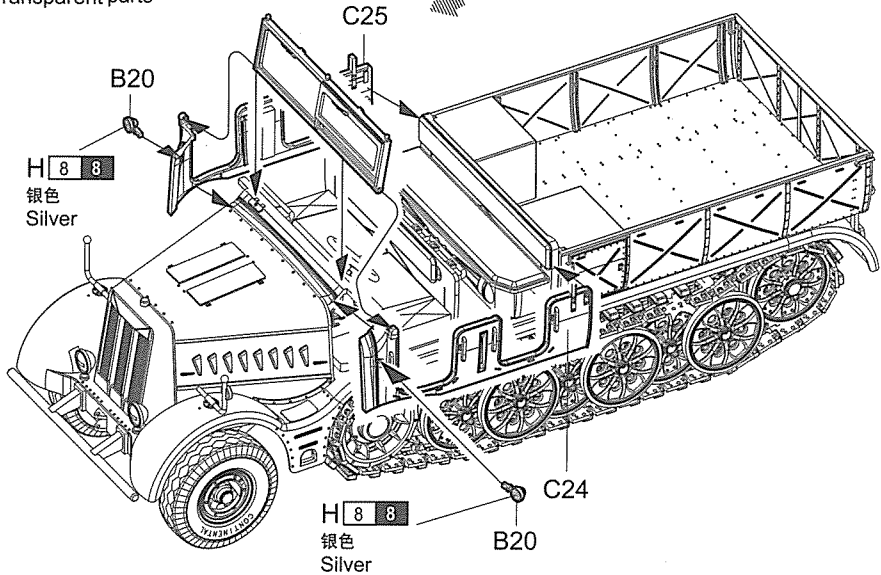


17 挡风玻璃安装
Attaching windshield

用小刀切下透明片A、B、C
Cut out Transparent part A、B、C



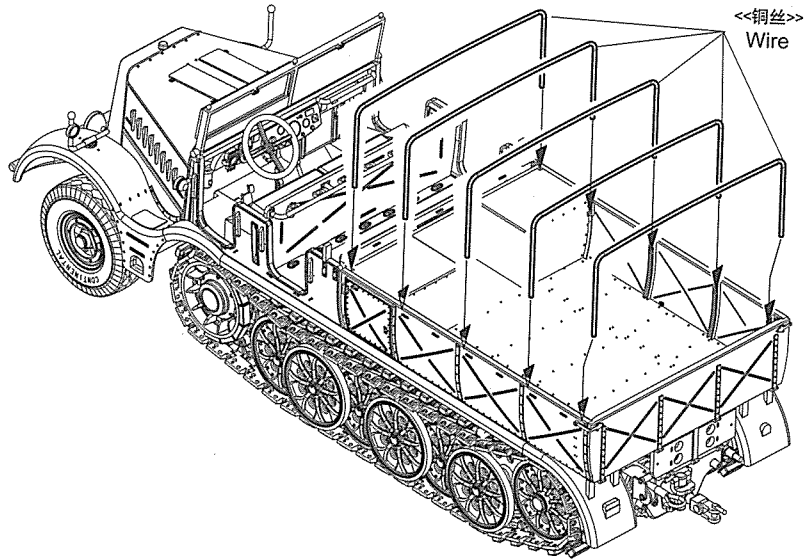
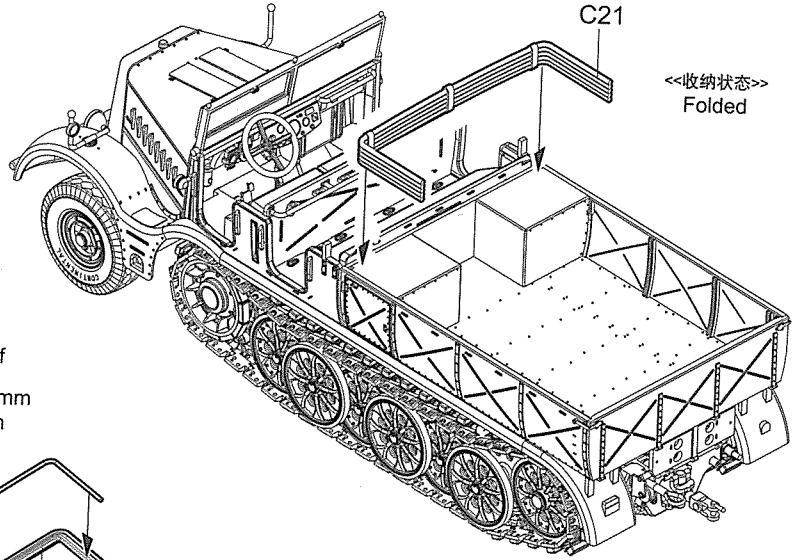
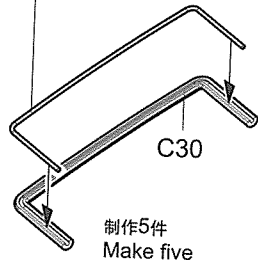
<<透明片>>
Transparent parts



18 车体附件安装
Attaching accessory

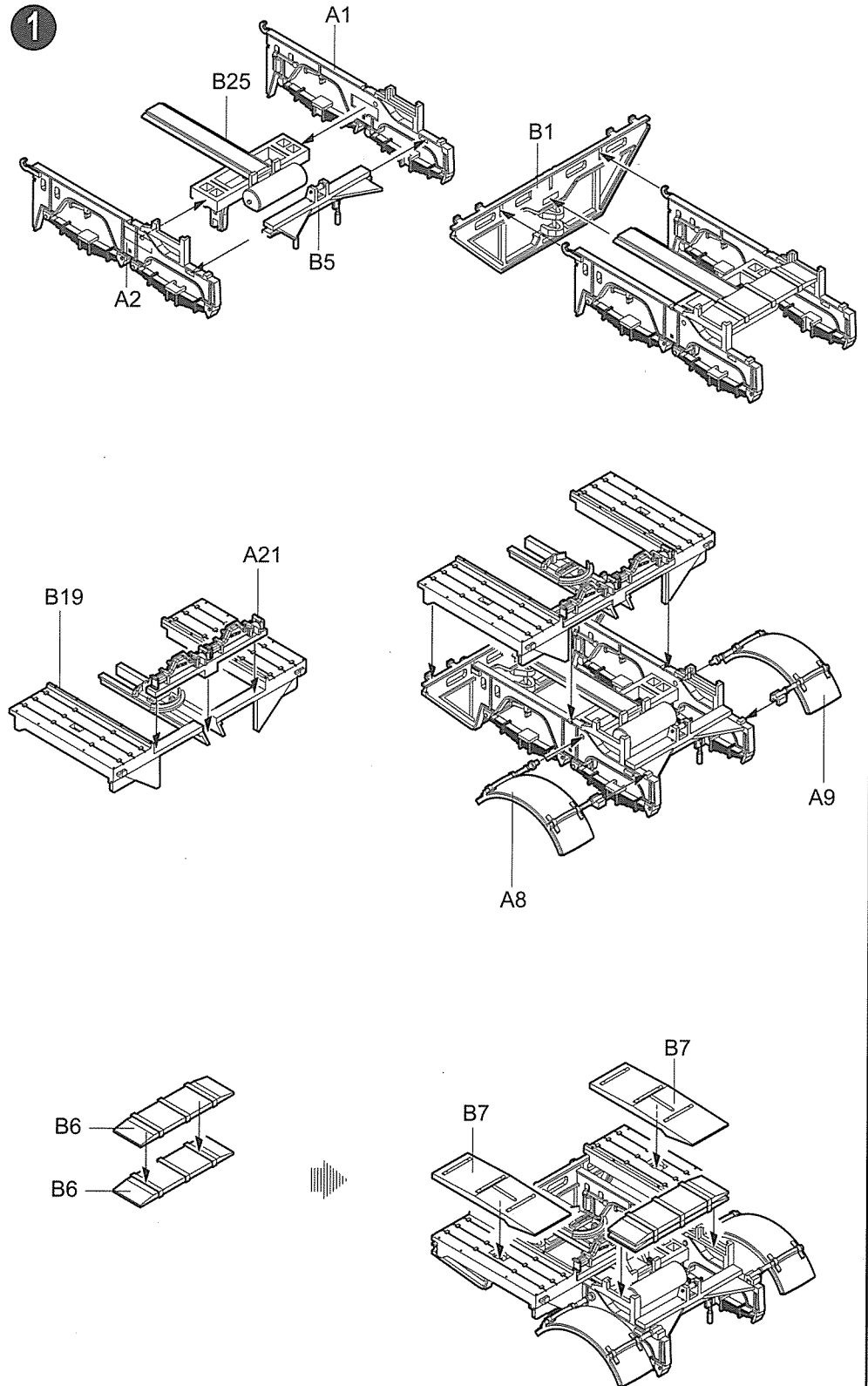
②
选择
Option

<<自备>>
Provide for oneself
<<铜丝>> ϕ 0.5x57mm
Wire ϕ 0.5x57mm

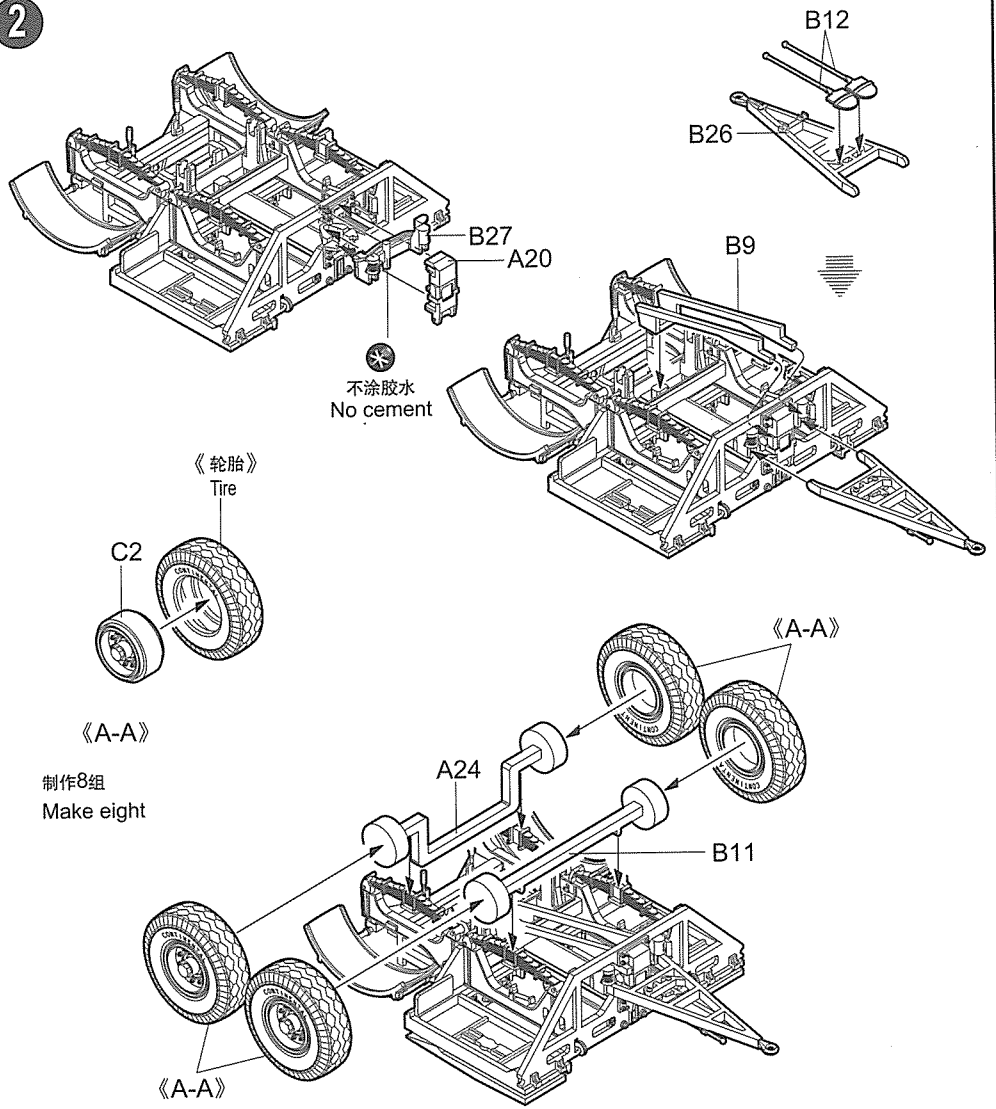


拖板组装说明
TRAILER Assembly Instructions

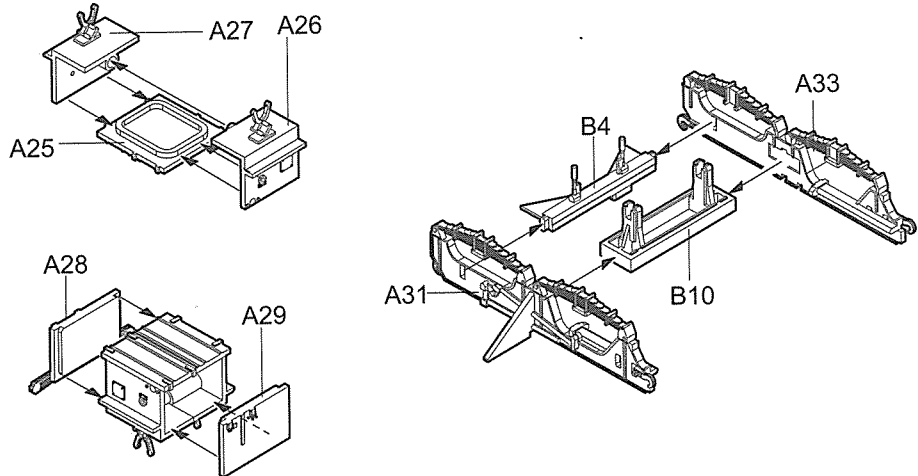
1



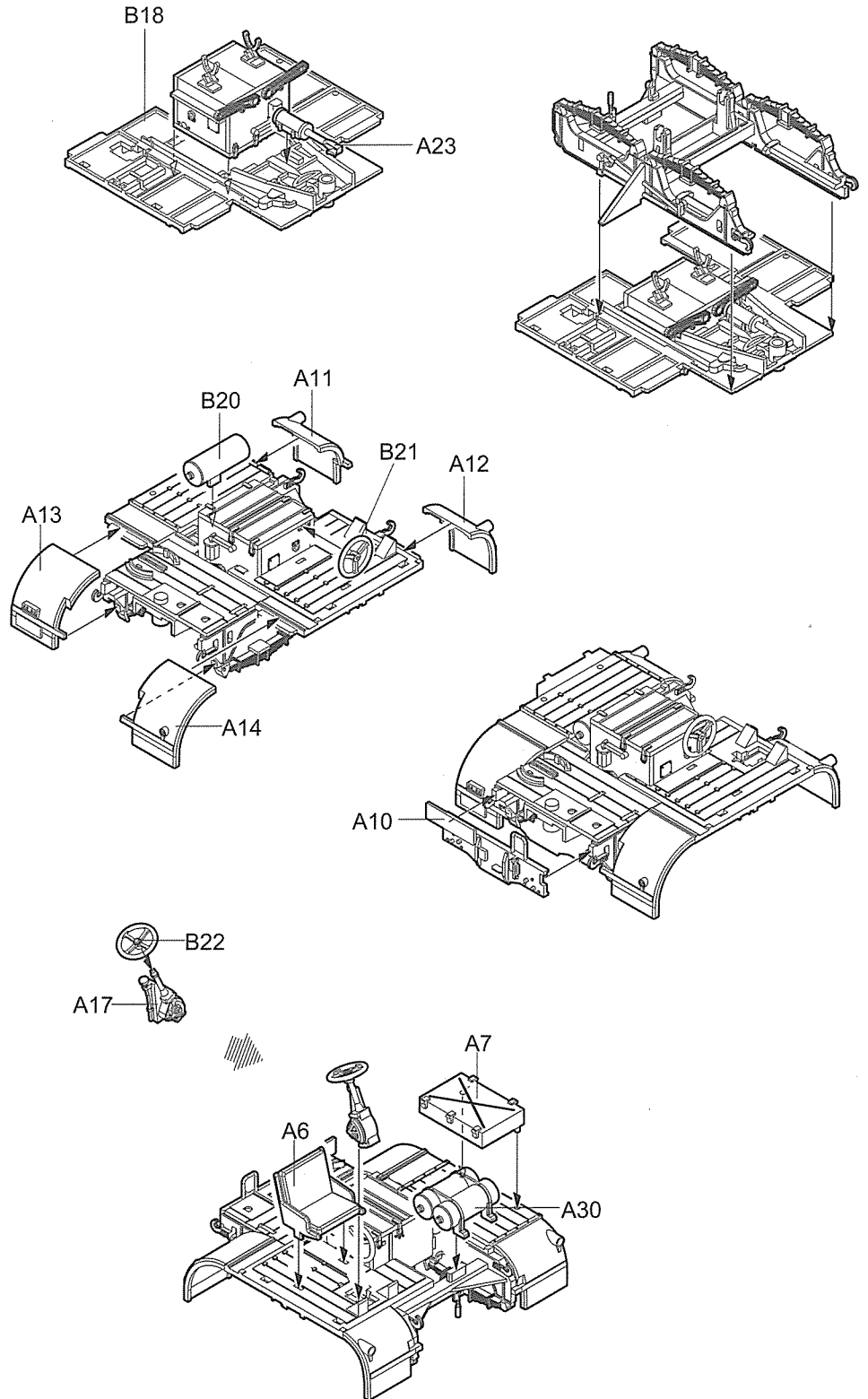
2



3



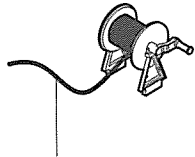
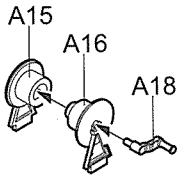
4



07275

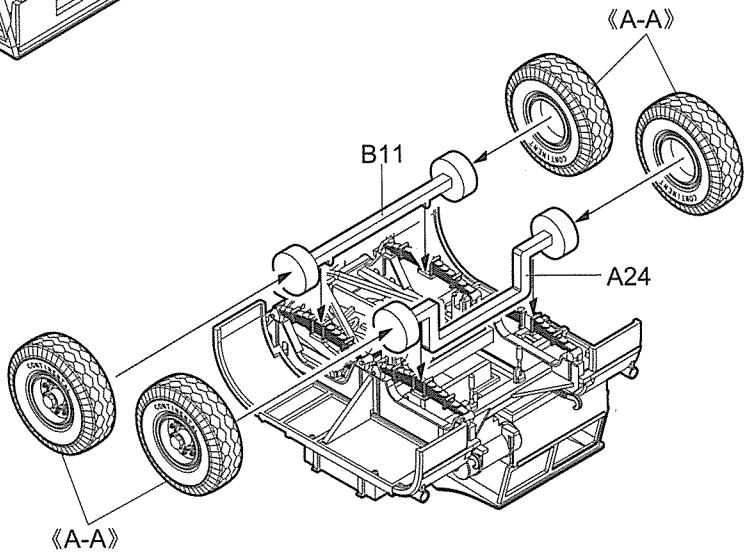
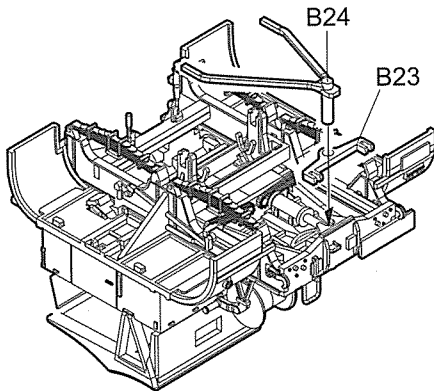
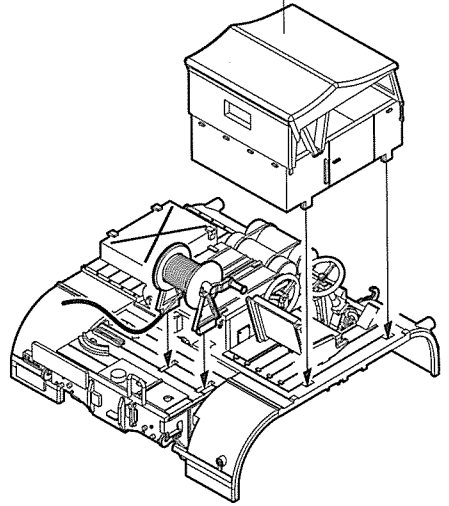
15

5

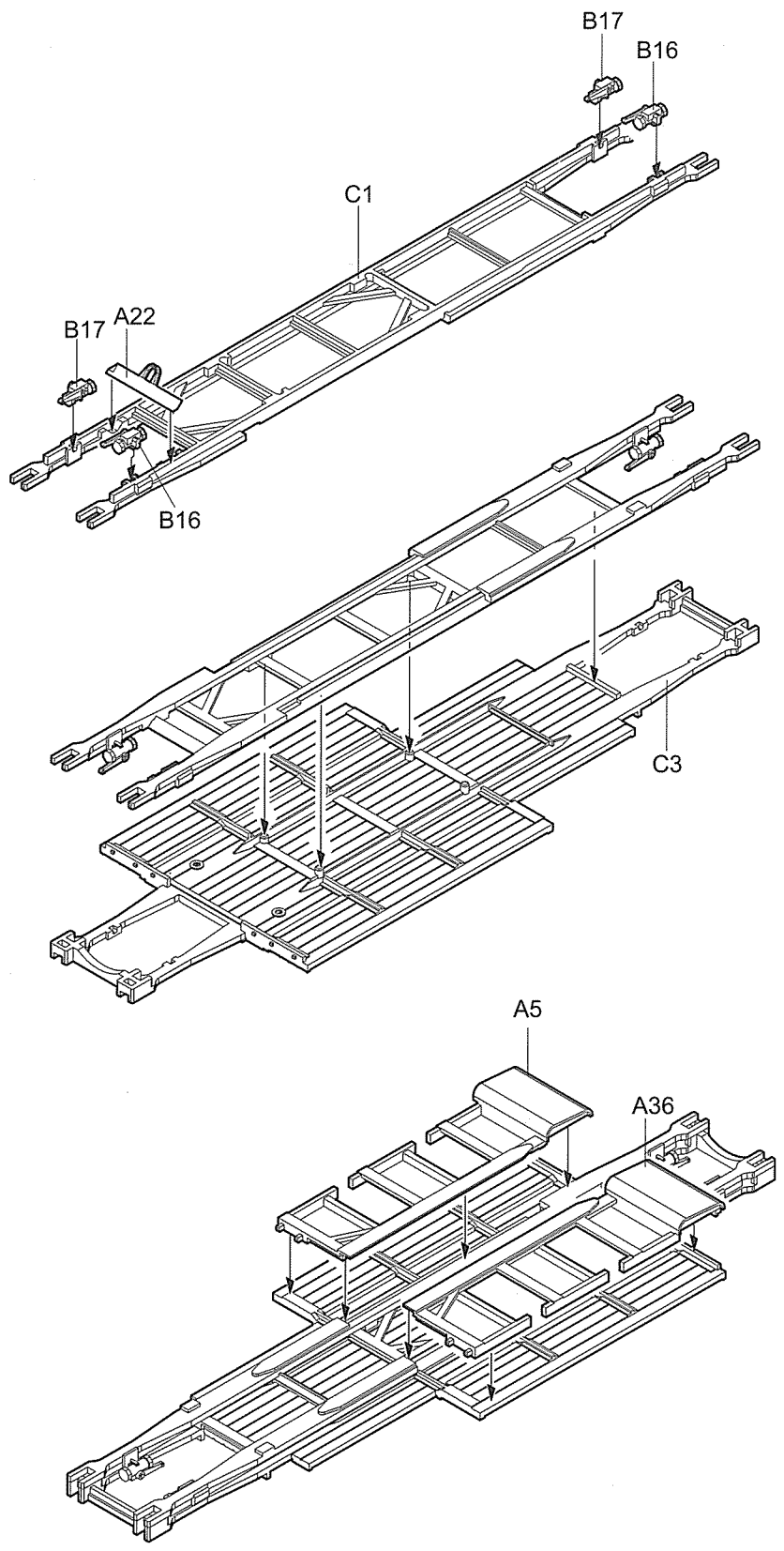


<<棉绳>> \varnothing 0.5X300mm
Rope

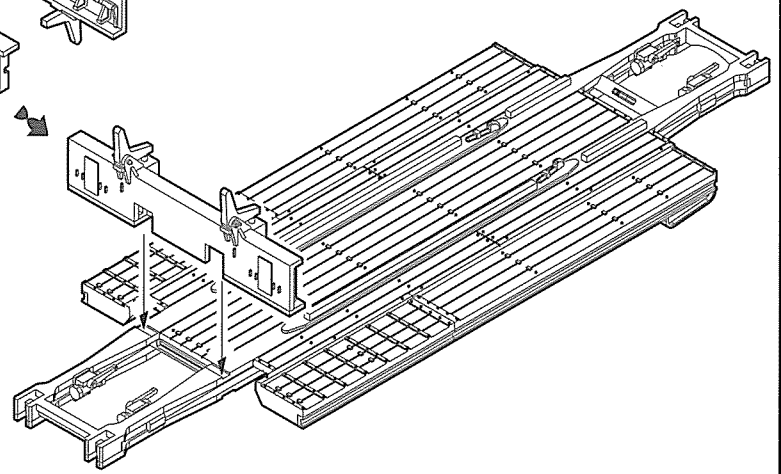
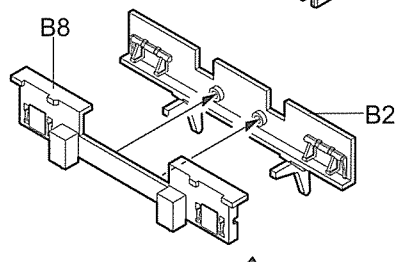
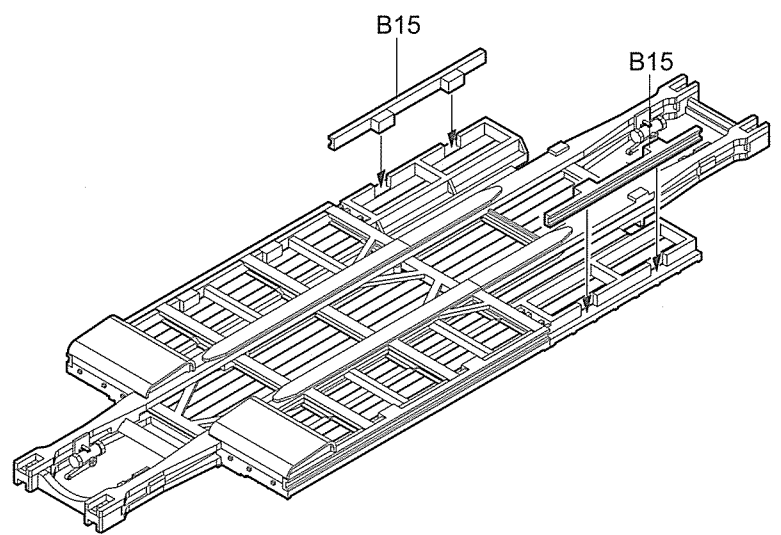
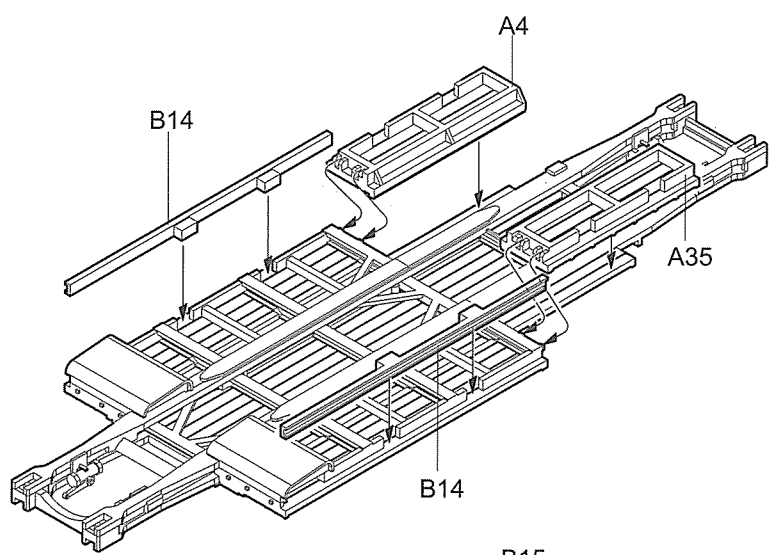
《驾驶室》
Cab



6



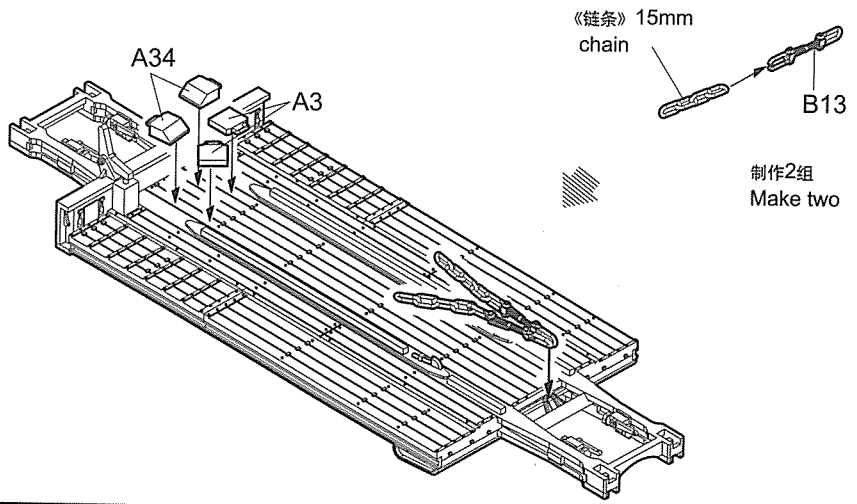
7



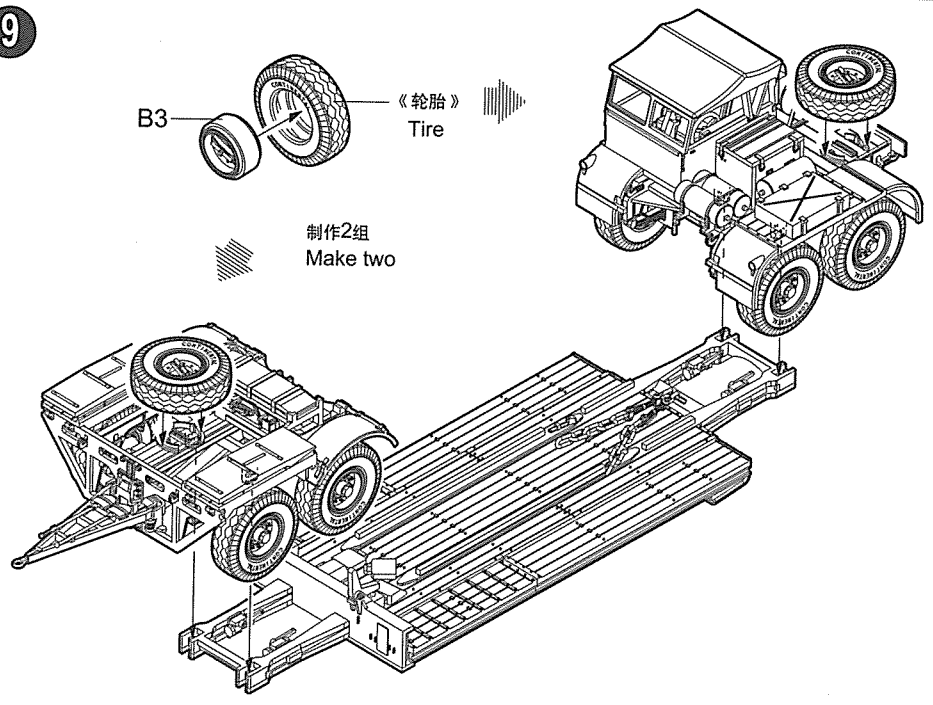
07275

18

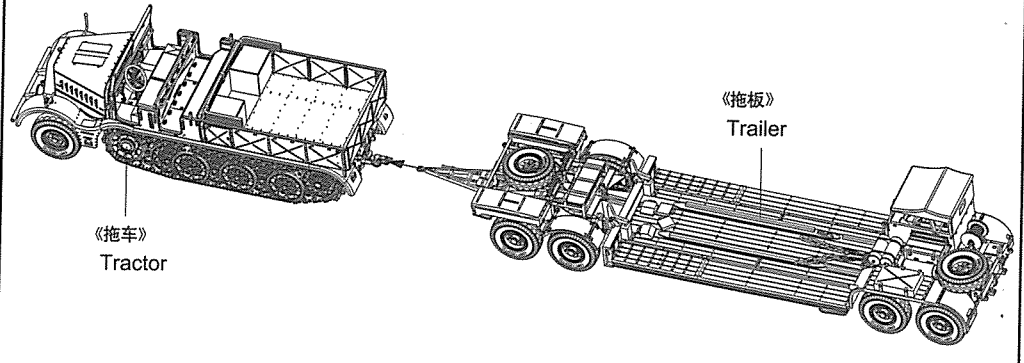
8



9



10



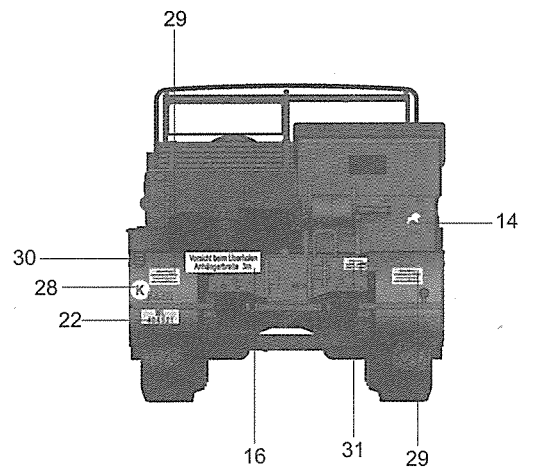
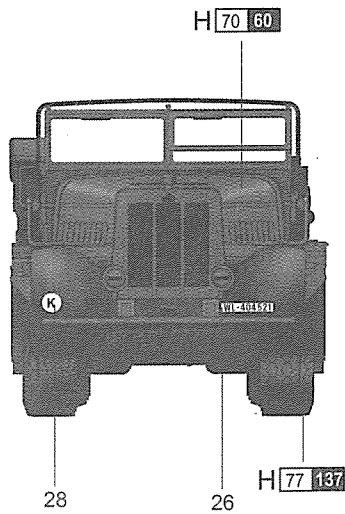
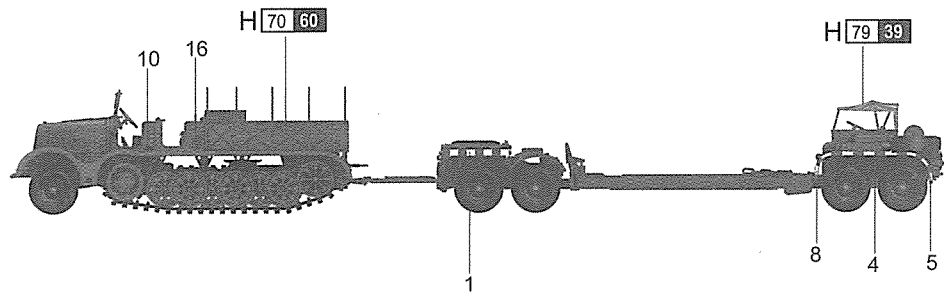
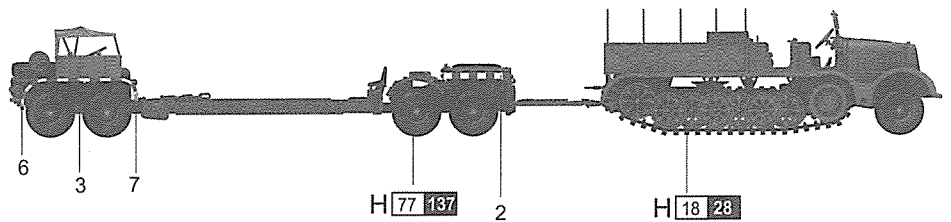
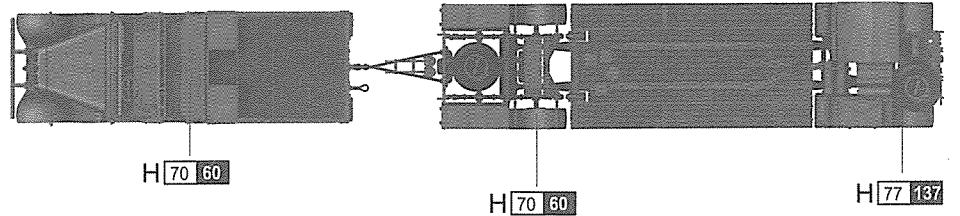
涂装同标贴指示

Painting & Marking guide

H AQUEOUS HOBBY COLOR ■ Mr. COLOR

使用 MR.HOBBY 涂料 Mr. Color Used

H <input type="checkbox"/> 77 <input type="checkbox"/> 137	胎黑色 Tire Black
H <input type="checkbox"/> 79 <input type="checkbox"/> 39	砂黄色 Sandy Brown
H <input type="checkbox"/> 70 <input type="checkbox"/> 60	德国灰 RLM02 Gray
H <input type="checkbox"/> 18 <input type="checkbox"/> 28	黑铁色 Metal Black



07275

20