

1:72 SCALE

ITEM NO.: 07235

Russian KV-2 Tank

苏联KV-2坦克



READ BEFORE ASSEMBLY:

- This kit is not recommended for inexperienced modelers or for children under 14 years of age
- Study and understand these instructions thoroughly before beginning assembly
- When needed, remove photo-etch parts carefully using a modeling knife or photo etch sprue cutter, being careful not to damage or lose small parts.
- Take extra care in handling photo etch parts in order to avoid injury
- Apply instant cement sparingly to photo etch parts where instructed
- Tools recommended(not included in kit):Plastic and instant cements,sprue cutters,long nose pliers,,modeling knife, small files, tweezers, pin vise & scissors. Soft cloth and sandpaper will also assist in construction
- Glue and paint are not included in the kit. Use plastic cement and hobby paints only. Color guide for purchasing paint is included in the kit.
- Keep out of reach of children. They must not be allowed to ingest small parts or handle plastic bags in any way.

装配之前仔细阅读

- 小心用模型锉刀锉平所有零件表面的注射浇口。
- 小心用刀片切下蚀刻片零件，不要遗失小零件。
- 用强力快干胶水粘合蚀刻片零件和金属轴。过量的快干胶水使用可能导致可动零件会粘住，小心涂胶。
- 取蚀刻片时应特别注意安全，防止利边划伤手指。
- 某些零件表面需贴上水贴纸，请选择在装配的同时进行。
- 推荐模型工具(自备)：胶水，水口剪刀，长咀钳，刀片，锉刀，镊子，钳，钻，剪刀，瞬间快干胶。
- 软布同砂纸同时也应该是必备工具。
- 请使用塑料胶水和油漆，模型内不含。
- 谨防小孩吸吮塑料零件，或者将塑料袋套在头上，制作时应将套材远离小孩接触。
- 本产品不适合14岁以下没有经验的模型爱好者。



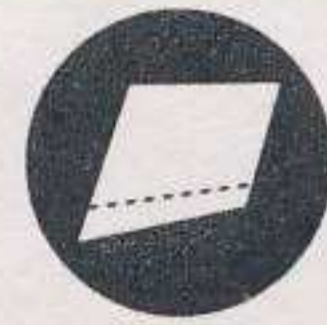
cyanoacrylate glue  
使用强力胶



weight  
配重



make hole  
钻孔



cut / remove  
切除



bend  
弯曲



file / sand  
锉平



option  
选择



no cement  
不涂胶水



decal  
贴纸

水贴纸的使用:

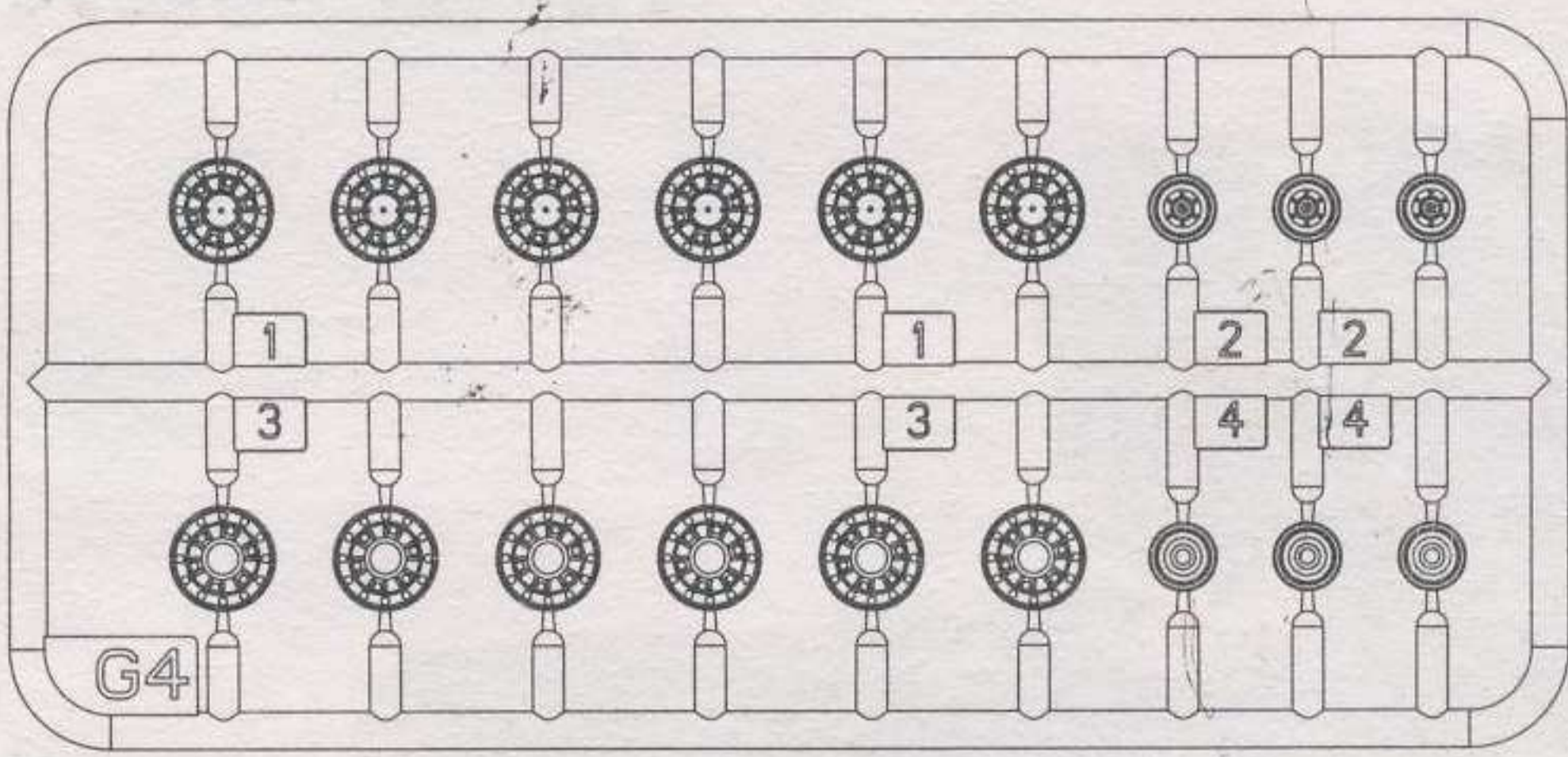
1. 从水贴上剪下印花;
2. 将印花放入温水中浸10秒，然后放在干净布上。
3. 拿着印花纸板将印花移到模型上;
4. 手指蘸水将印花移到适当的位置;
5. 用软布轻压印花直至水干，汽泡消失。

DECAL APPLICATION

1. Cut off decal from sheet.
2. Dip the decal in tepid water 40°C for about 10 sec. and place on a clean cloth.
3. Hold the backing sheet edge and slide decal onto the model.
4. Move decal into position by wetting decal with finger.
5. Press decal gently down with a soft cloth until excess water and air bubbles are gone.
6. Allow decal to dry completely before handling model.

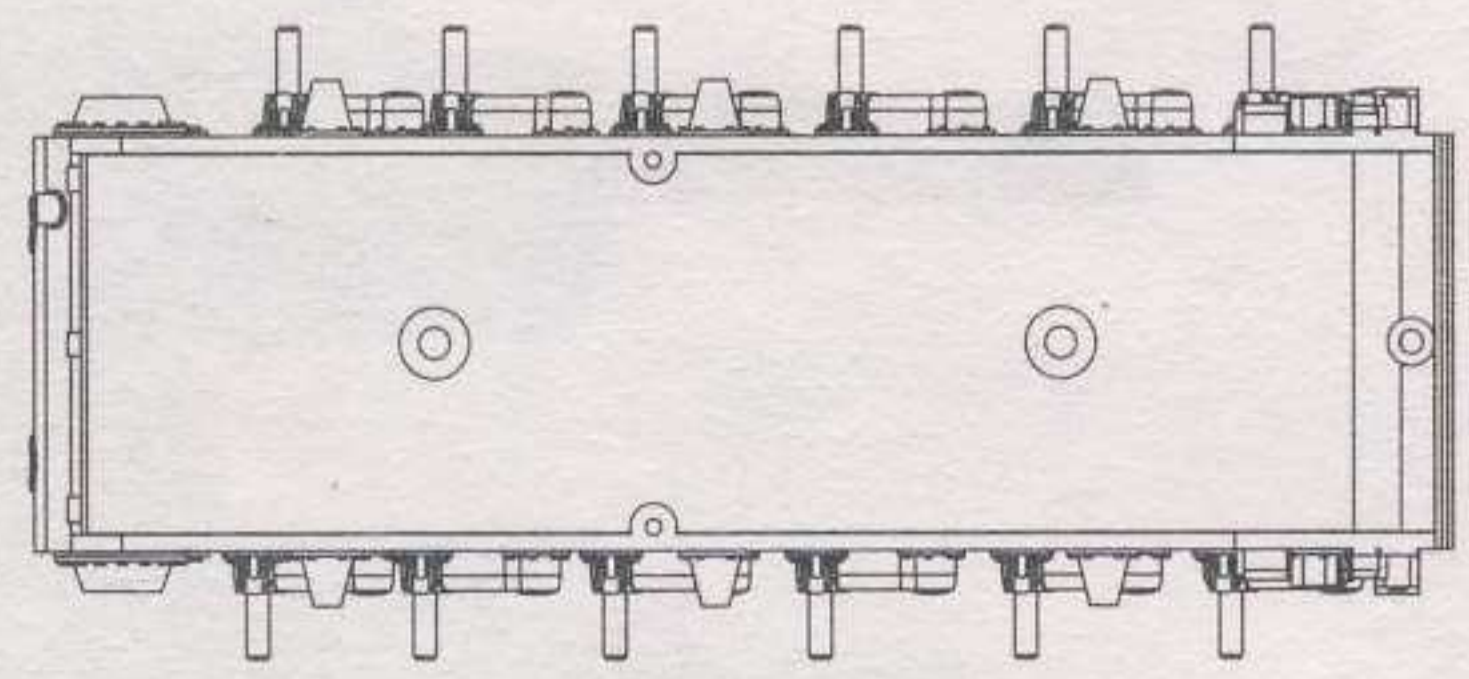
# 部品图 Parts

G X 2

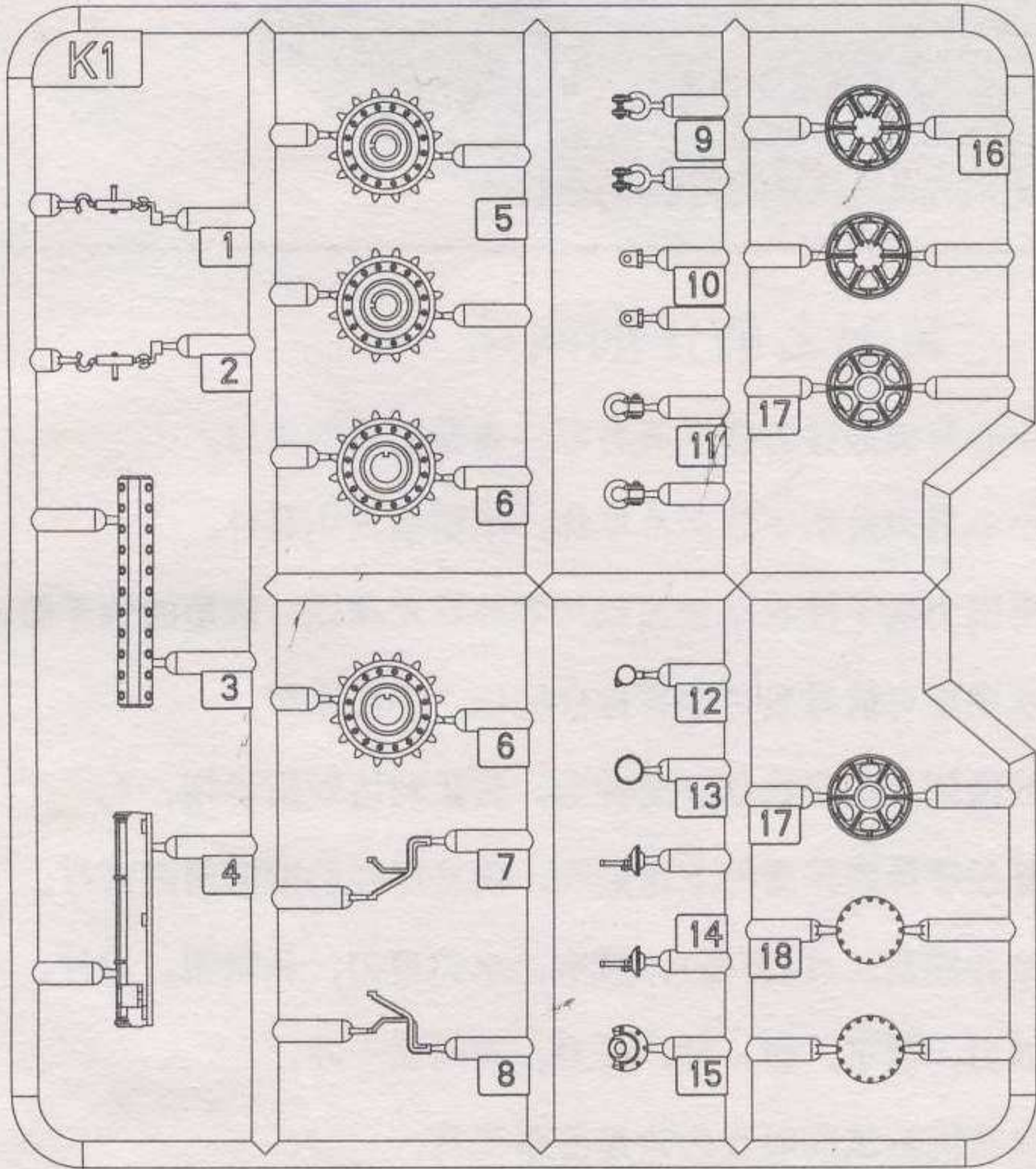


<<车底>>

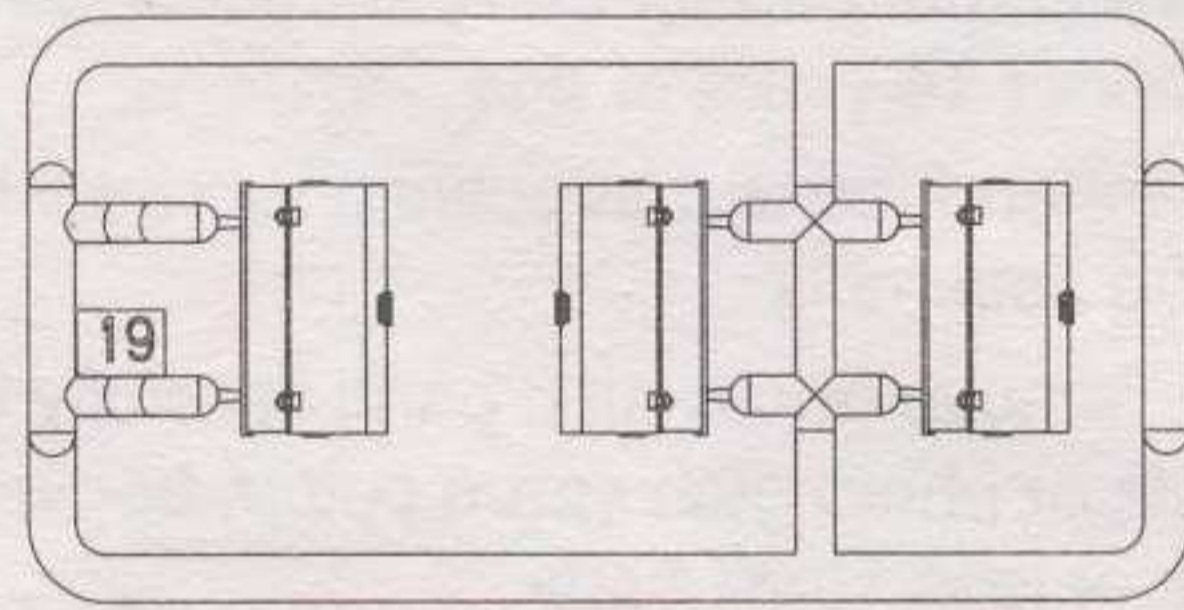
Lower hull



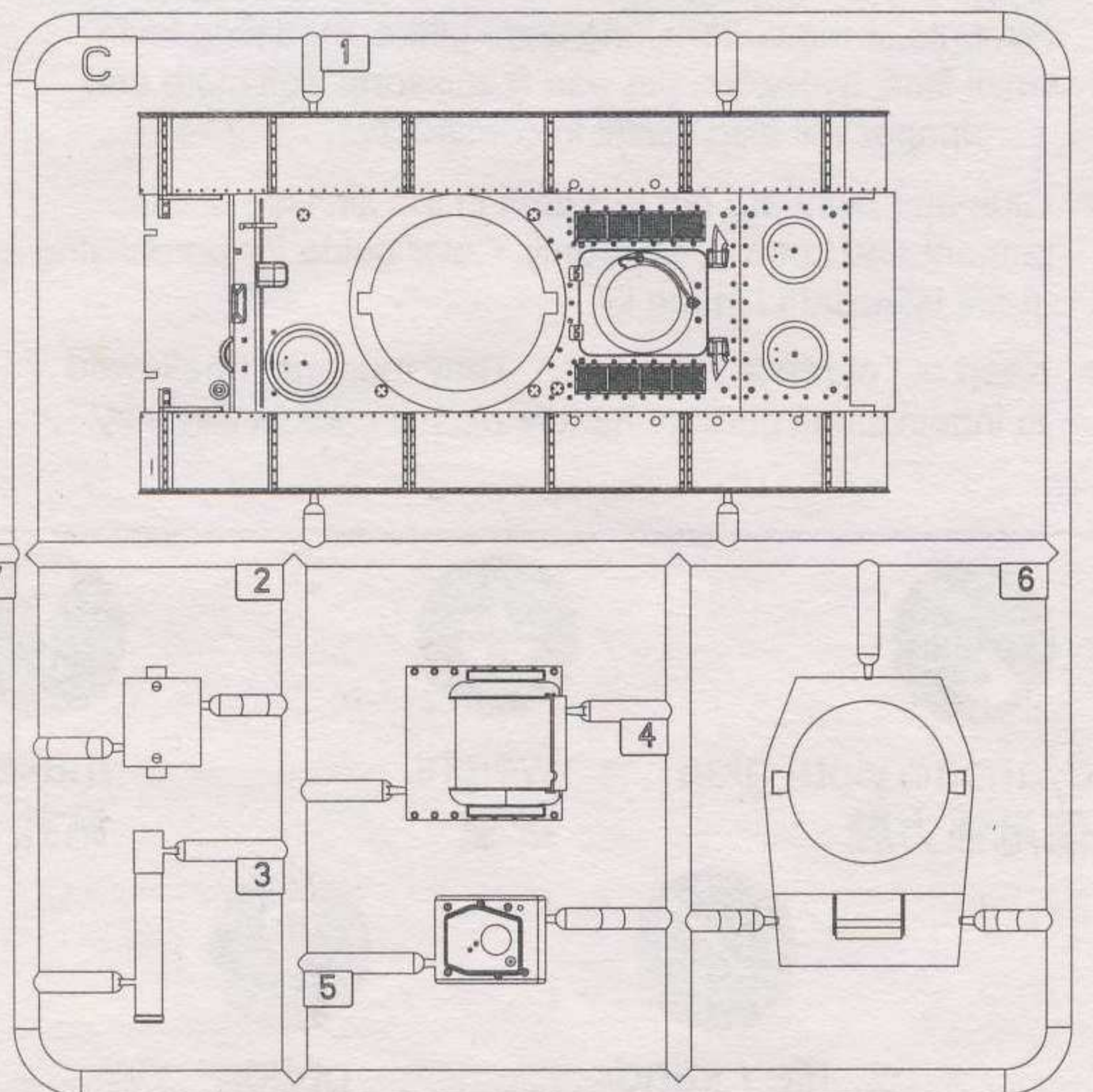
K



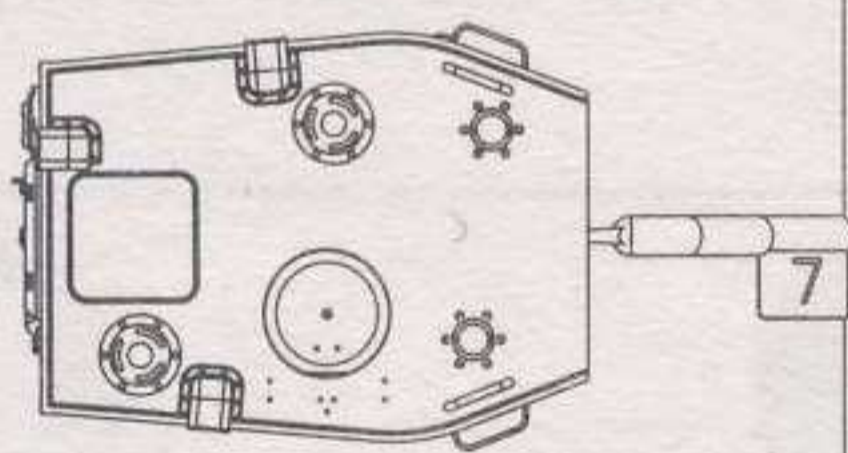
K



C



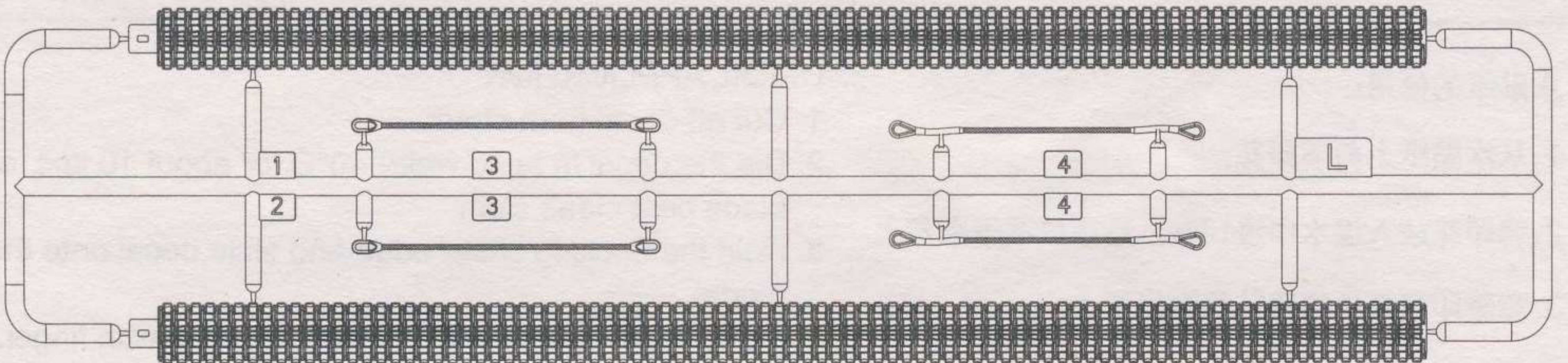
<<炮塔>>  
Turret



<<水贴>>  
Decal



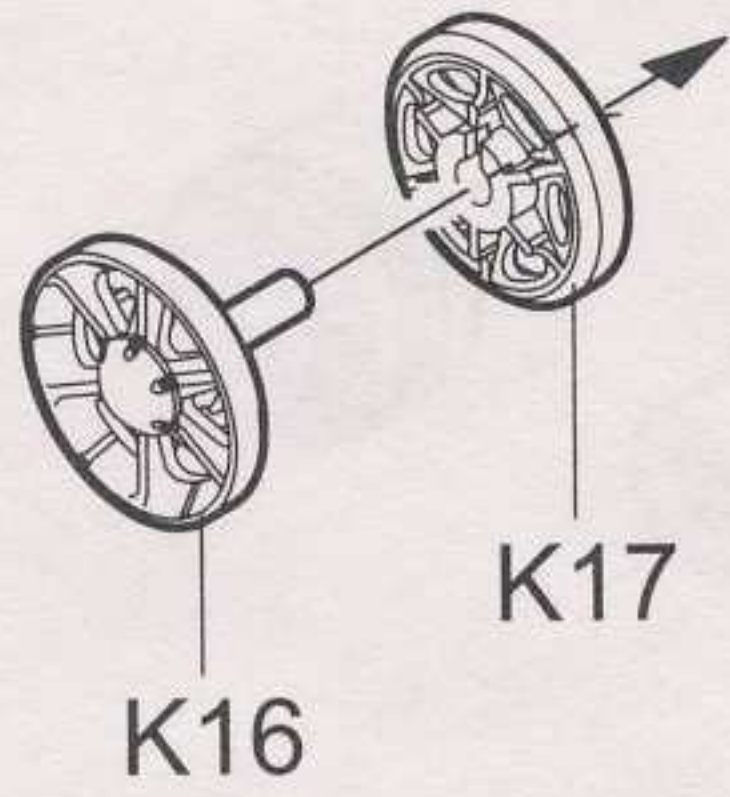
L



不用部件: L4  
Unused parts

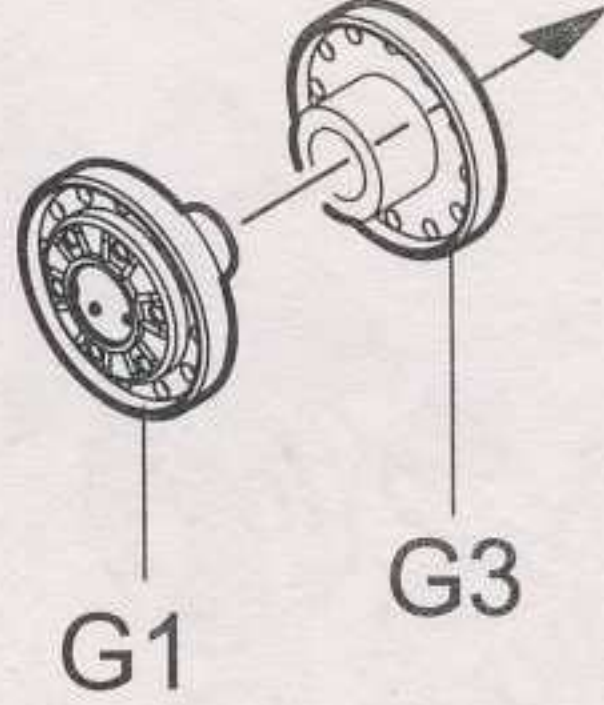
# 1 车轮组装 Wheels assembly

<<诱导轮>>  
Idler wheel



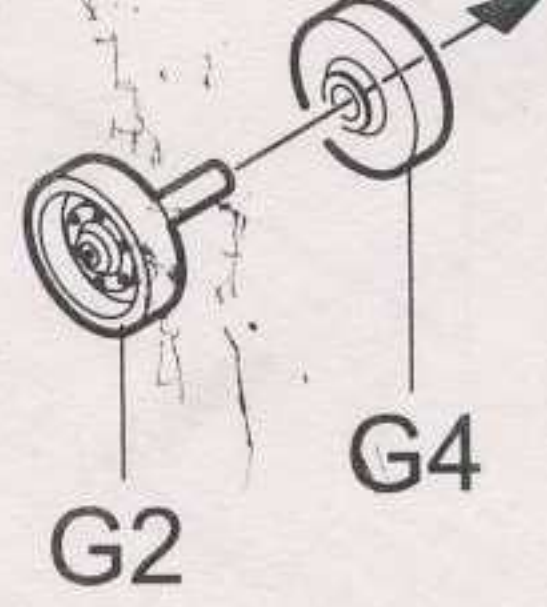
制作2套  
Make two

<<负重轮>>  
Road wheel



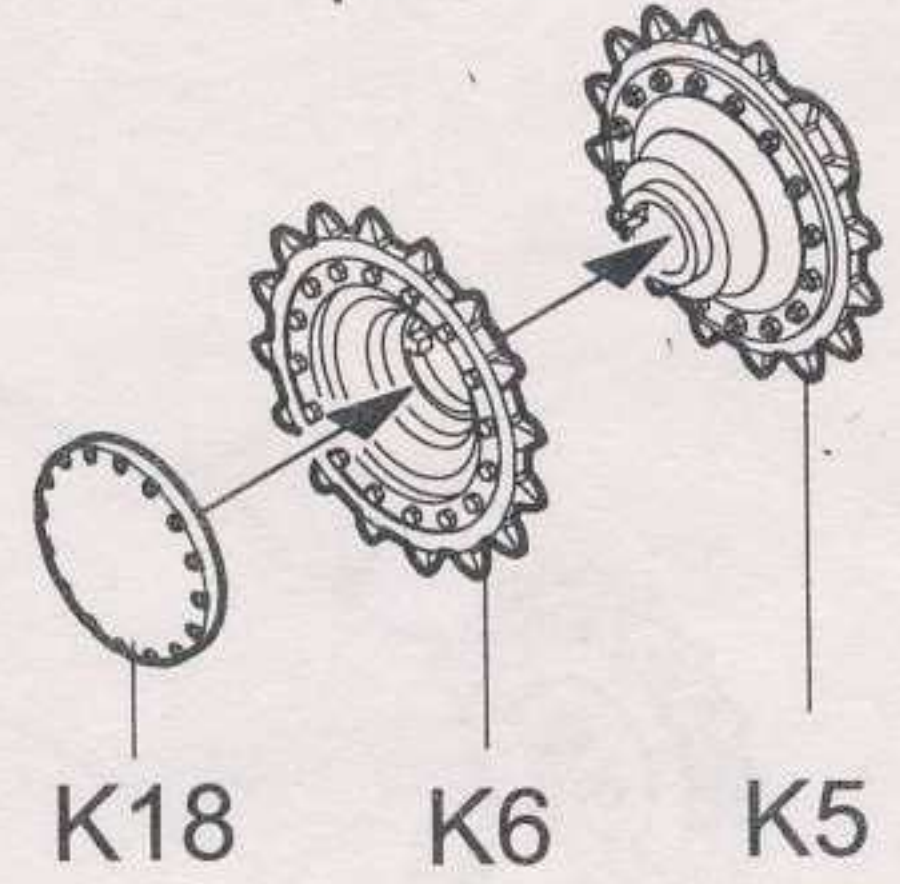
制作12套  
Make twelve

<<托带轮>>  
Support rollers



制作6套  
Make six

<<驱动轮>>  
Drive sprocket

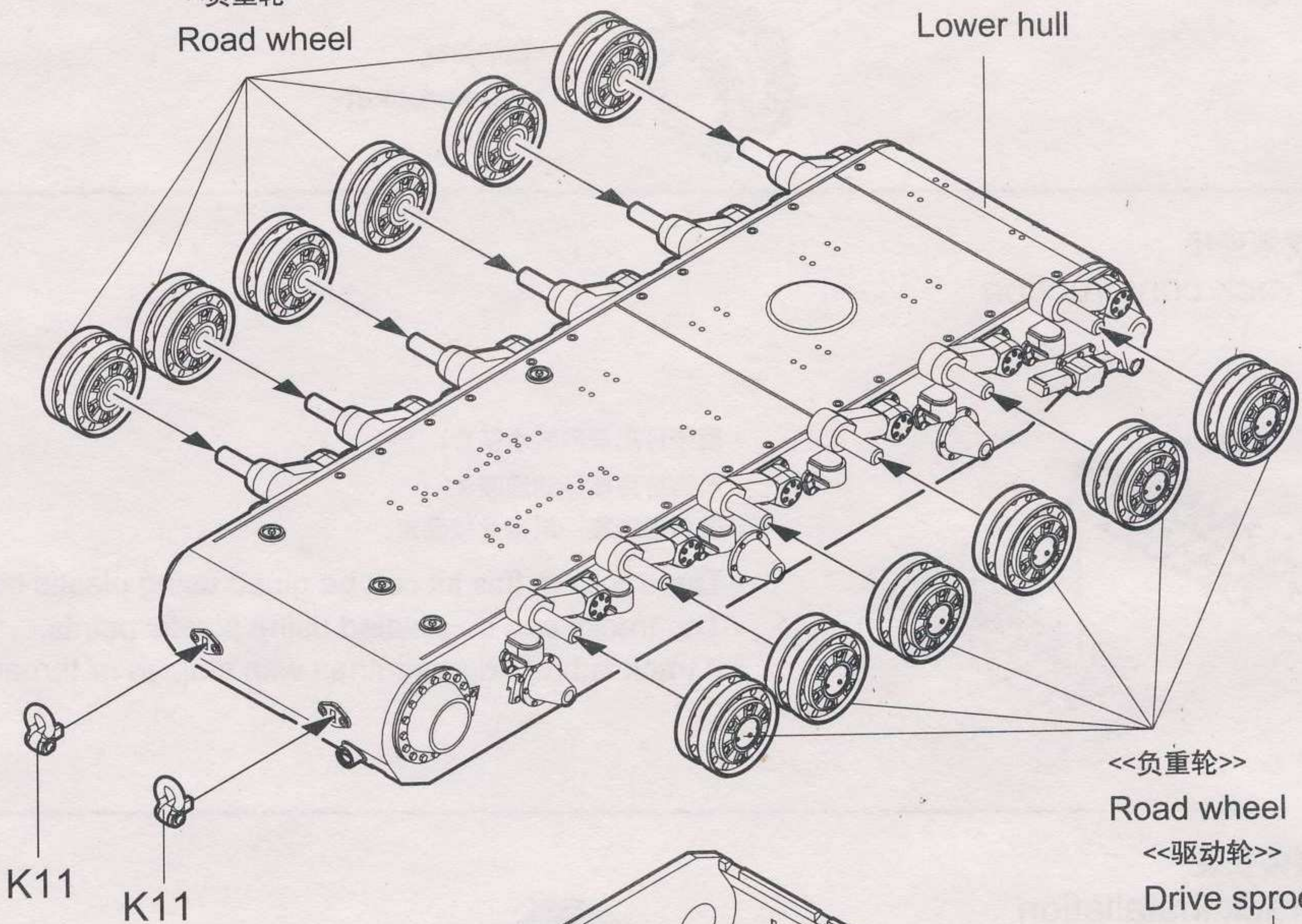


制作2套  
Make two

# 2 车底组装 Lower hull assembly

<<负重轮>>  
Road wheel

<<车底>>  
Lower hull



<<负重轮>>  
Road wheel  
<<驱动轮>>  
Drive sprocket

K11 K11

K10 K10

K8

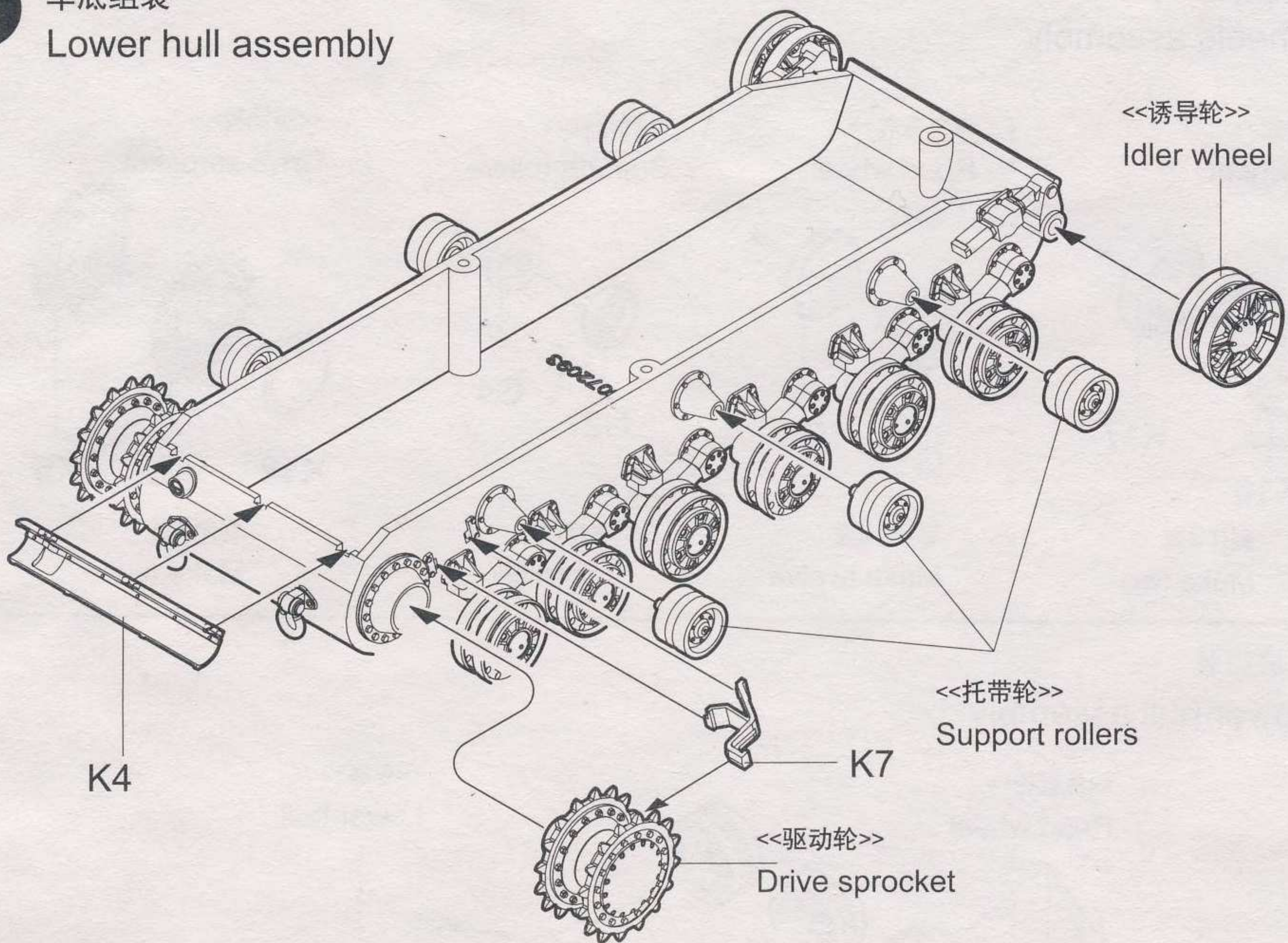
<<托带轮>>  
Support rollers

<<诱导轮>>  
Idler wheel

**3**

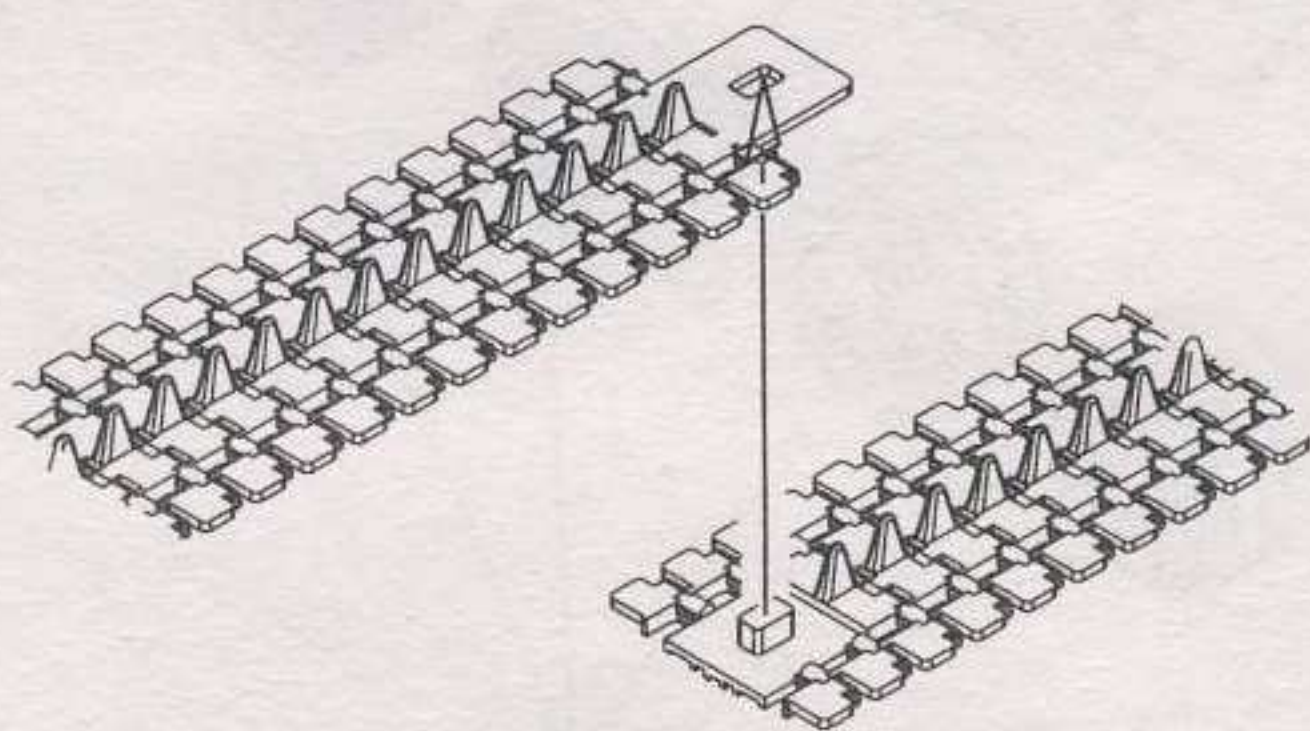
车底组装

Lower hull assembly

**4**

履带连接

Track construction



\* 履带可用塑料胶水粘合。

\* 履带可用模型油漆喷涂。

\* 若履带断裂，用细丝线固定。

\* The tracks in this kit can be glued using plastic cement.

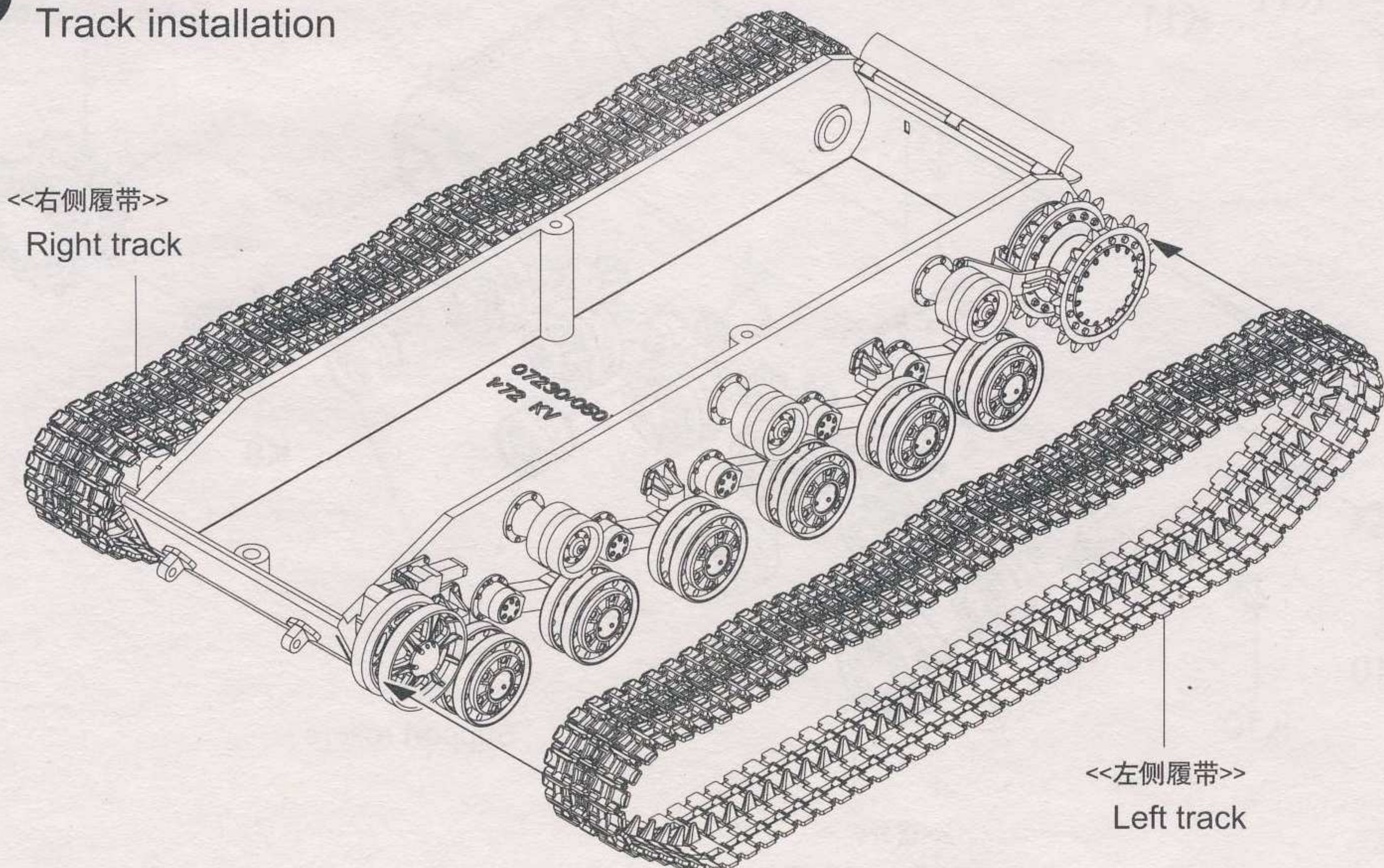
\* The tracks can be painted using plastic paints.

\* If track is broken strengthen with staples or thread.

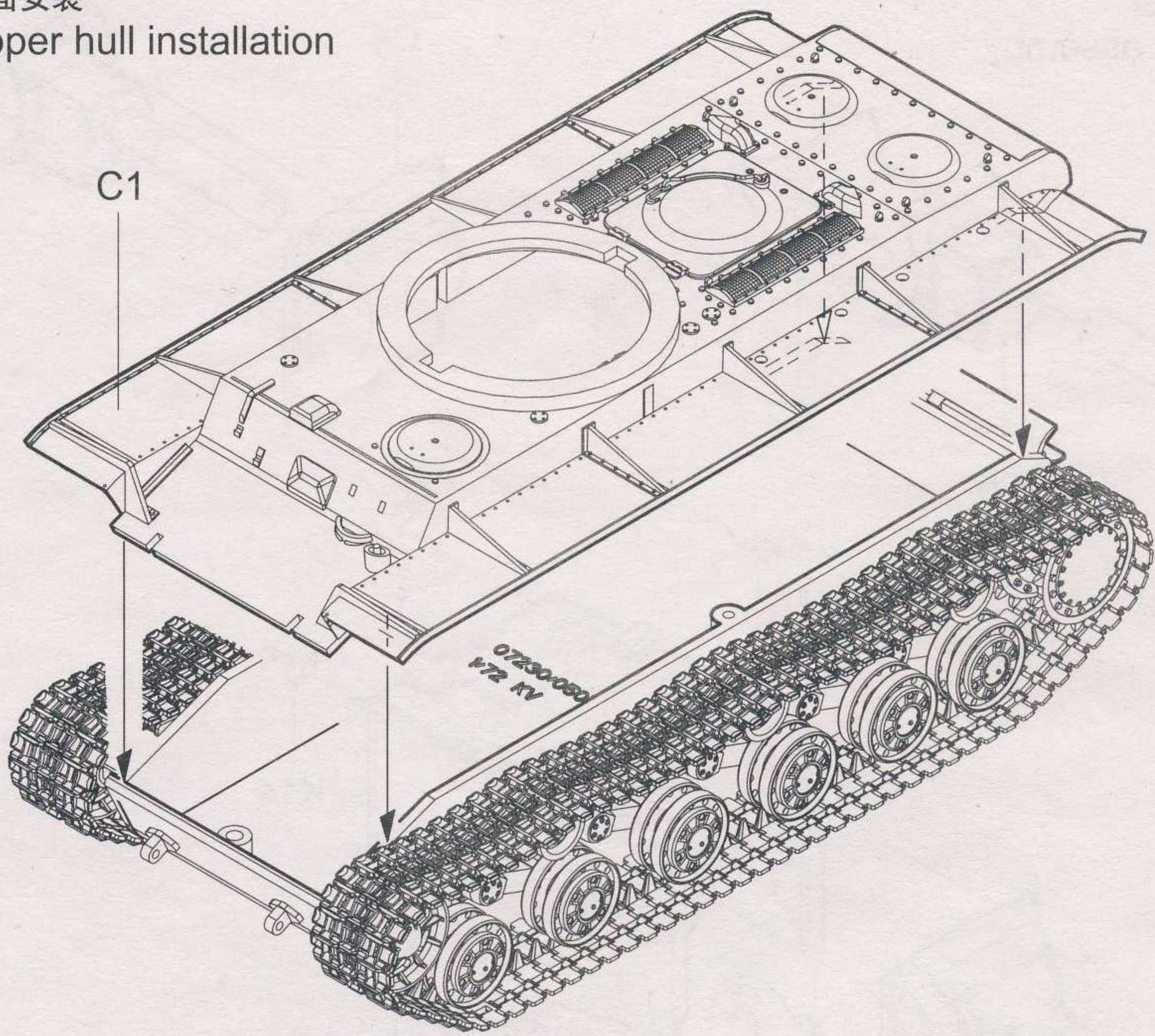
**5**

履带安装

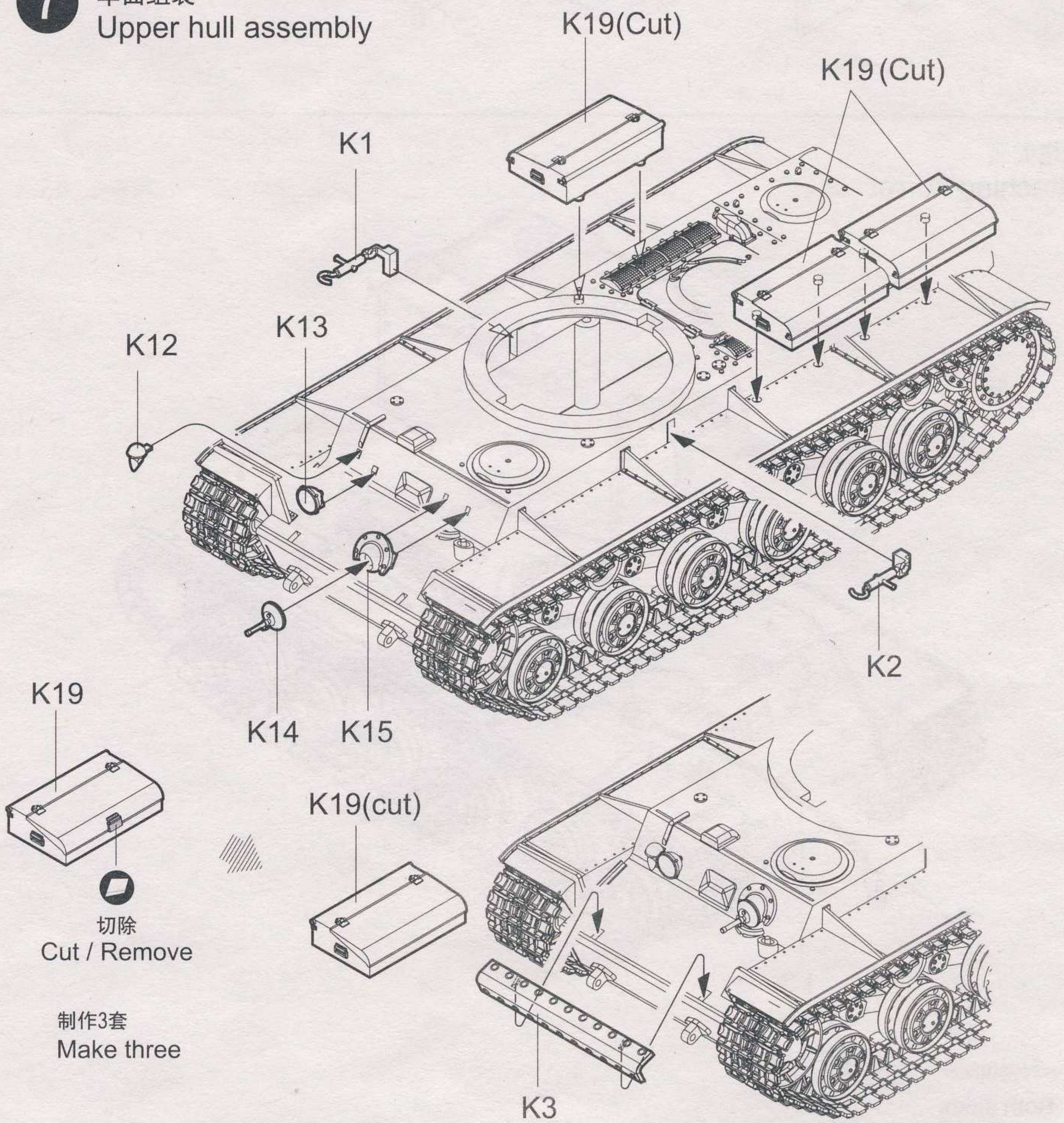
Track installation



**6** 车面安装  
Upper hull installation

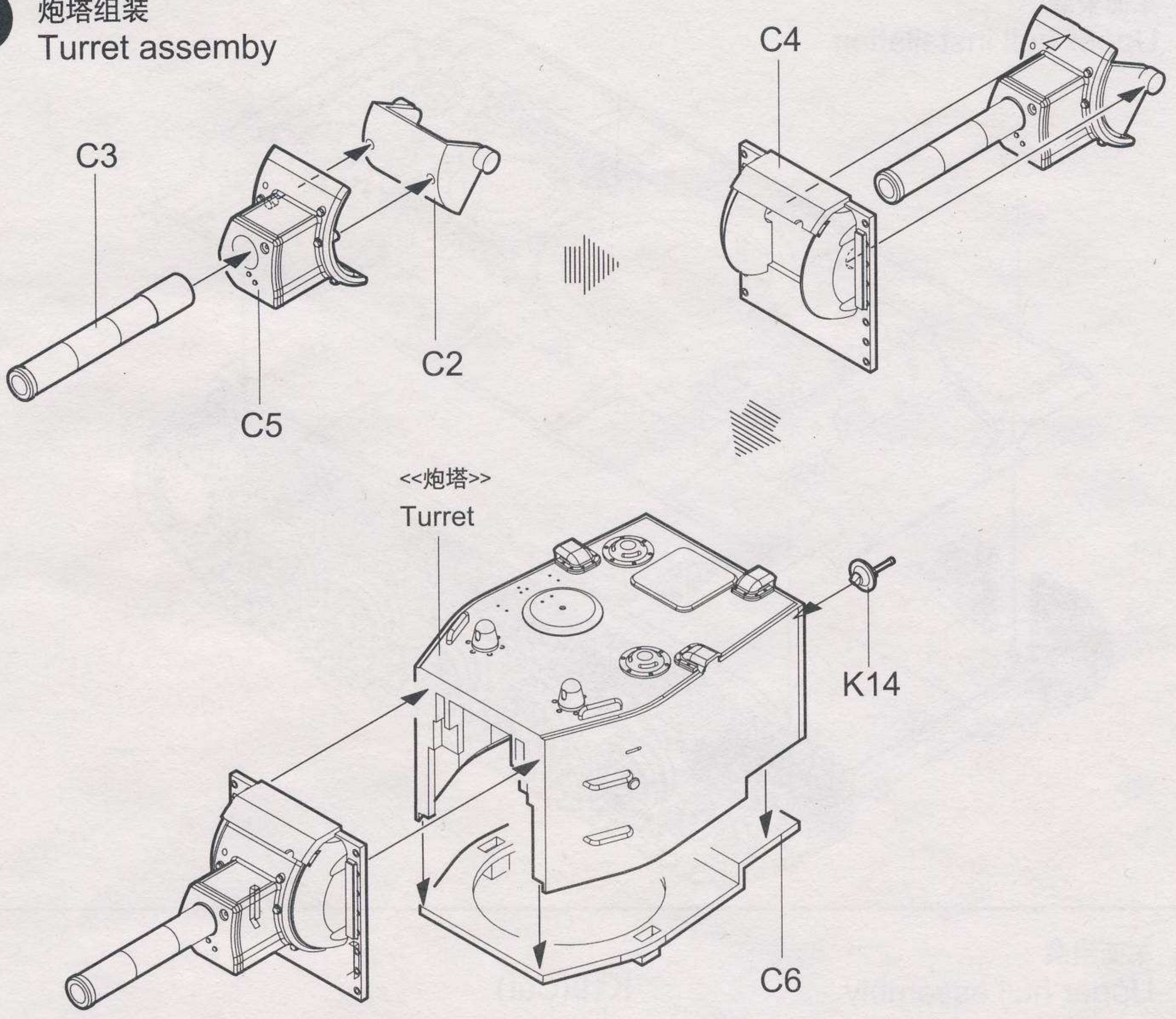


**7** 车面组装  
Upper hull assembly



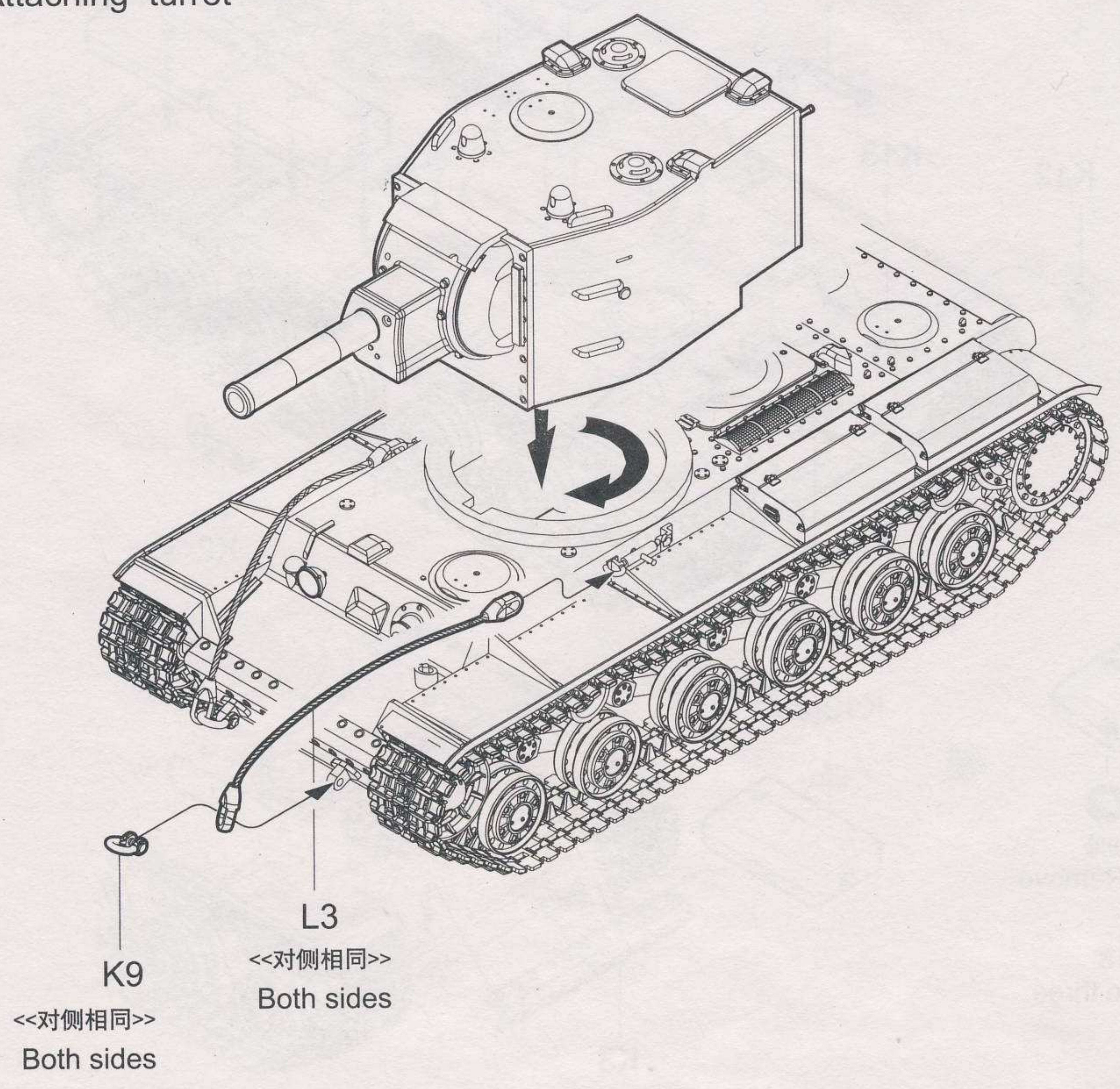
8

炮塔组装  
Turret assembly

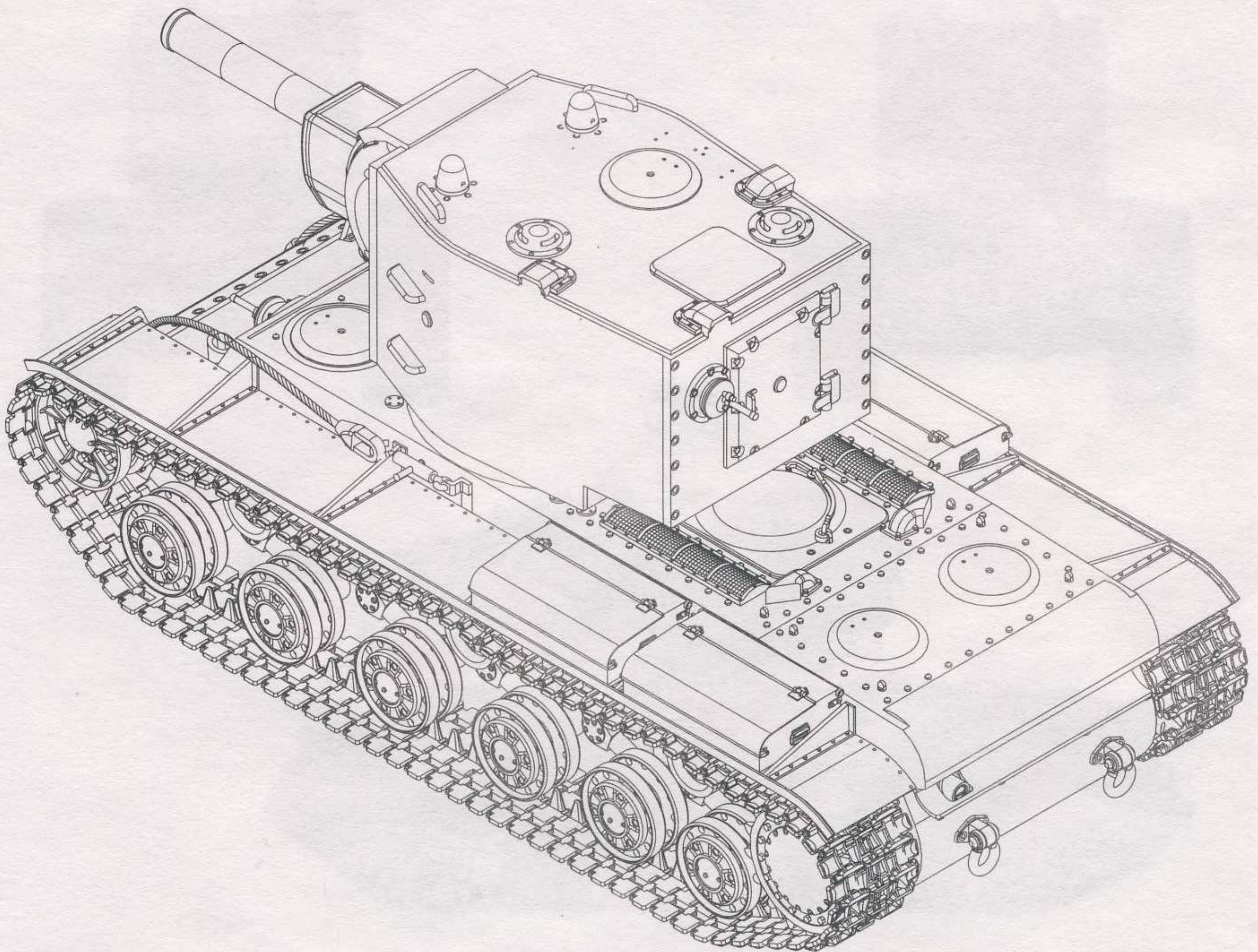
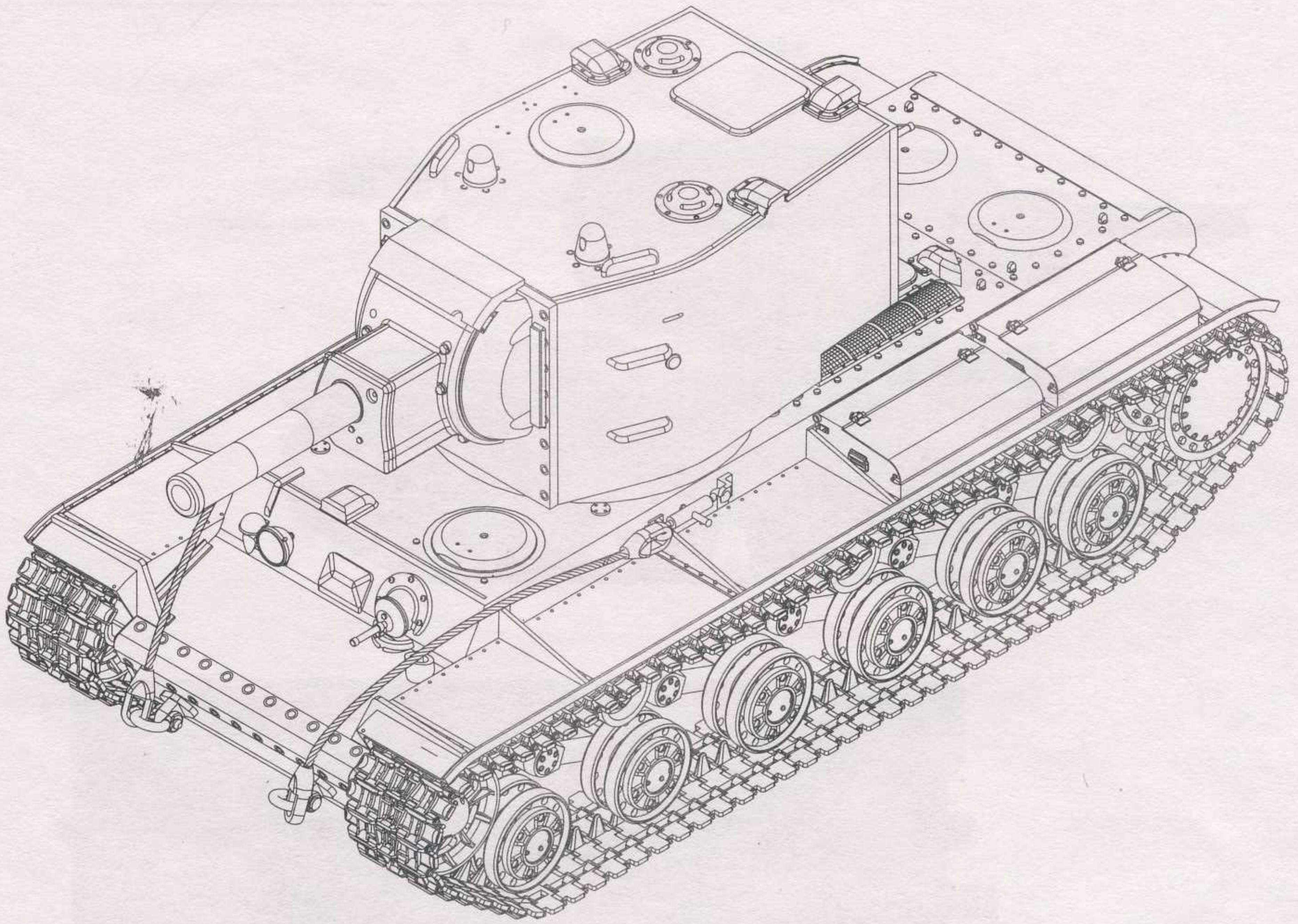


9

炮塔安装  
Attaching turret

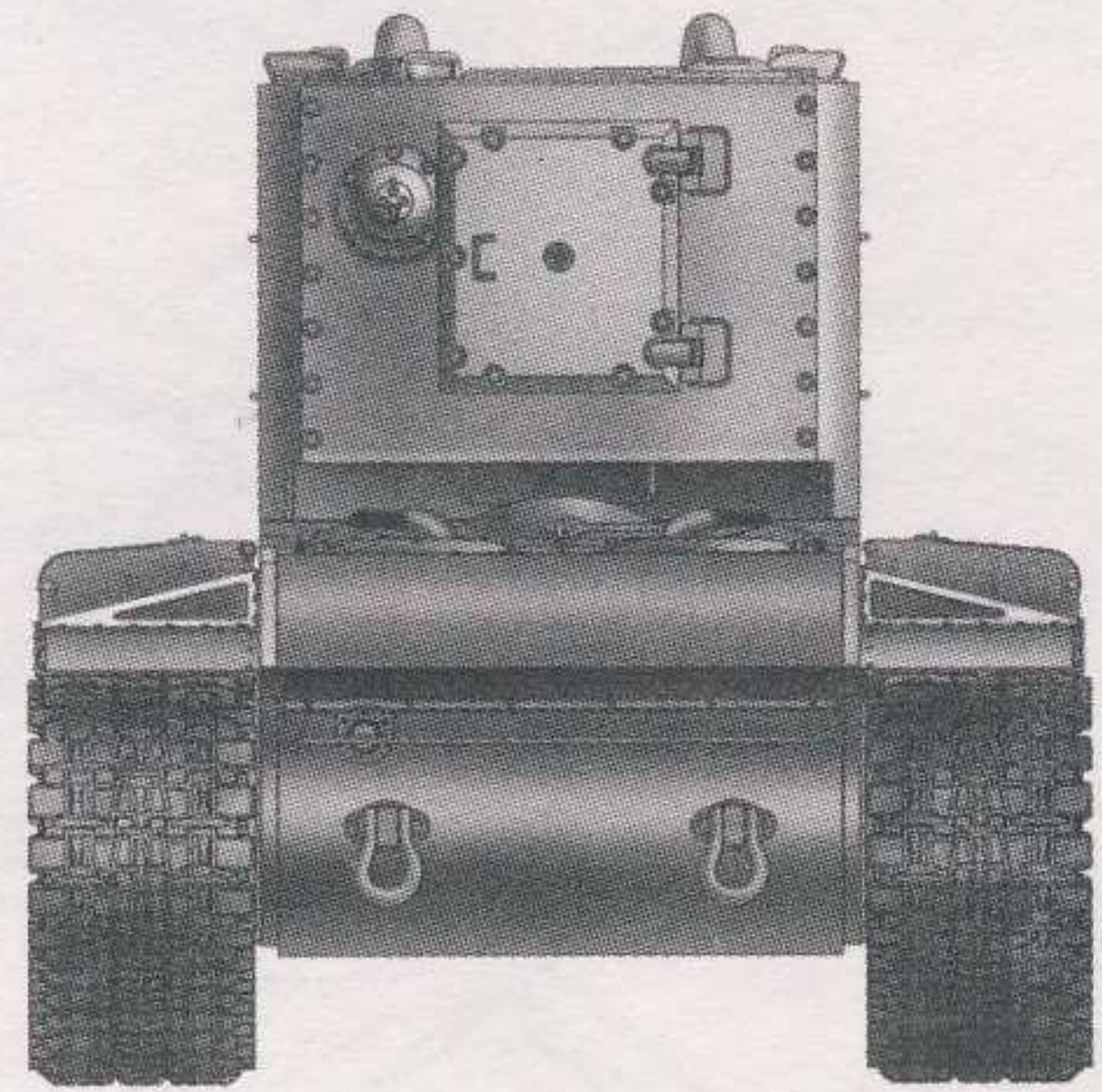
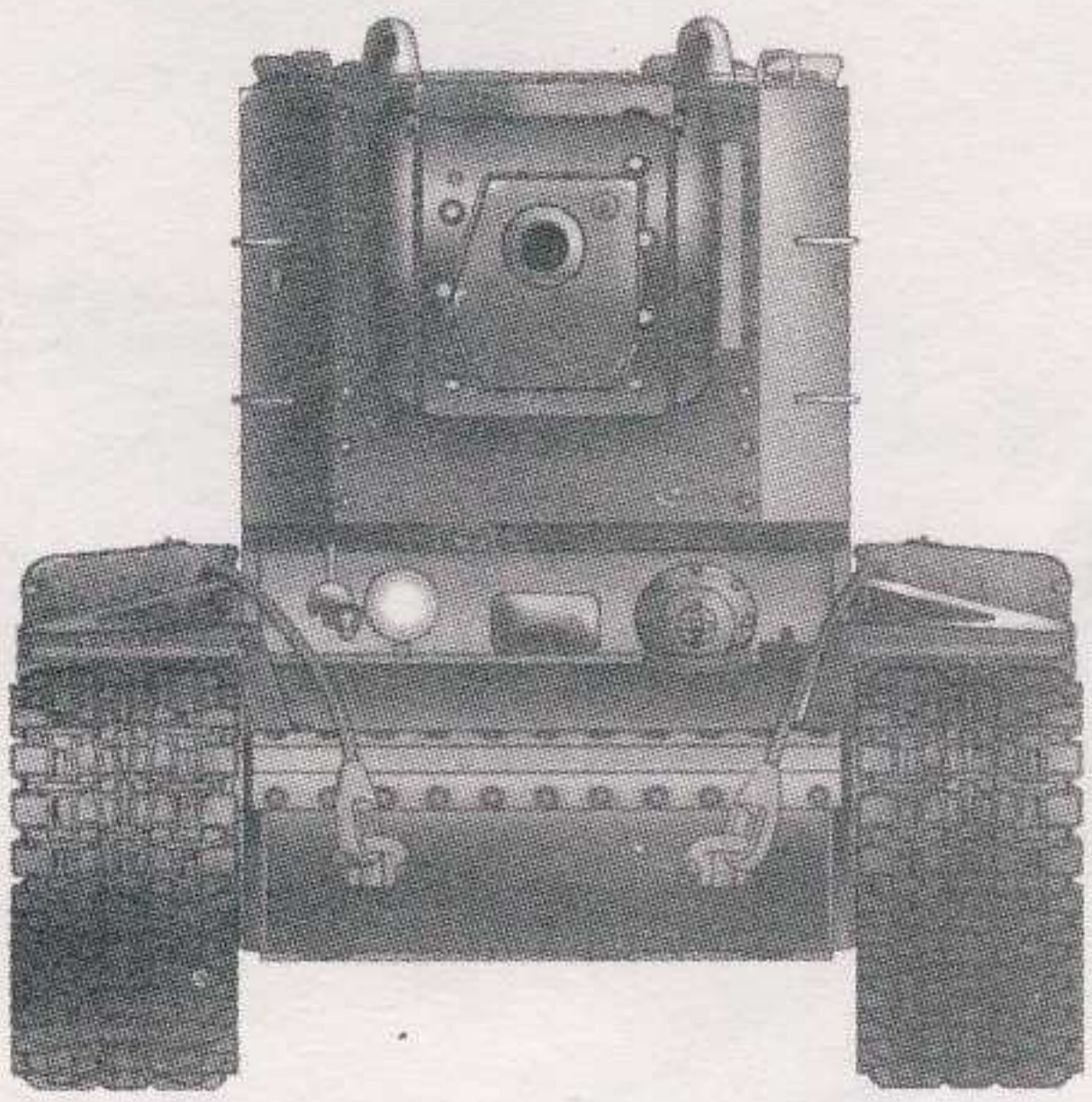
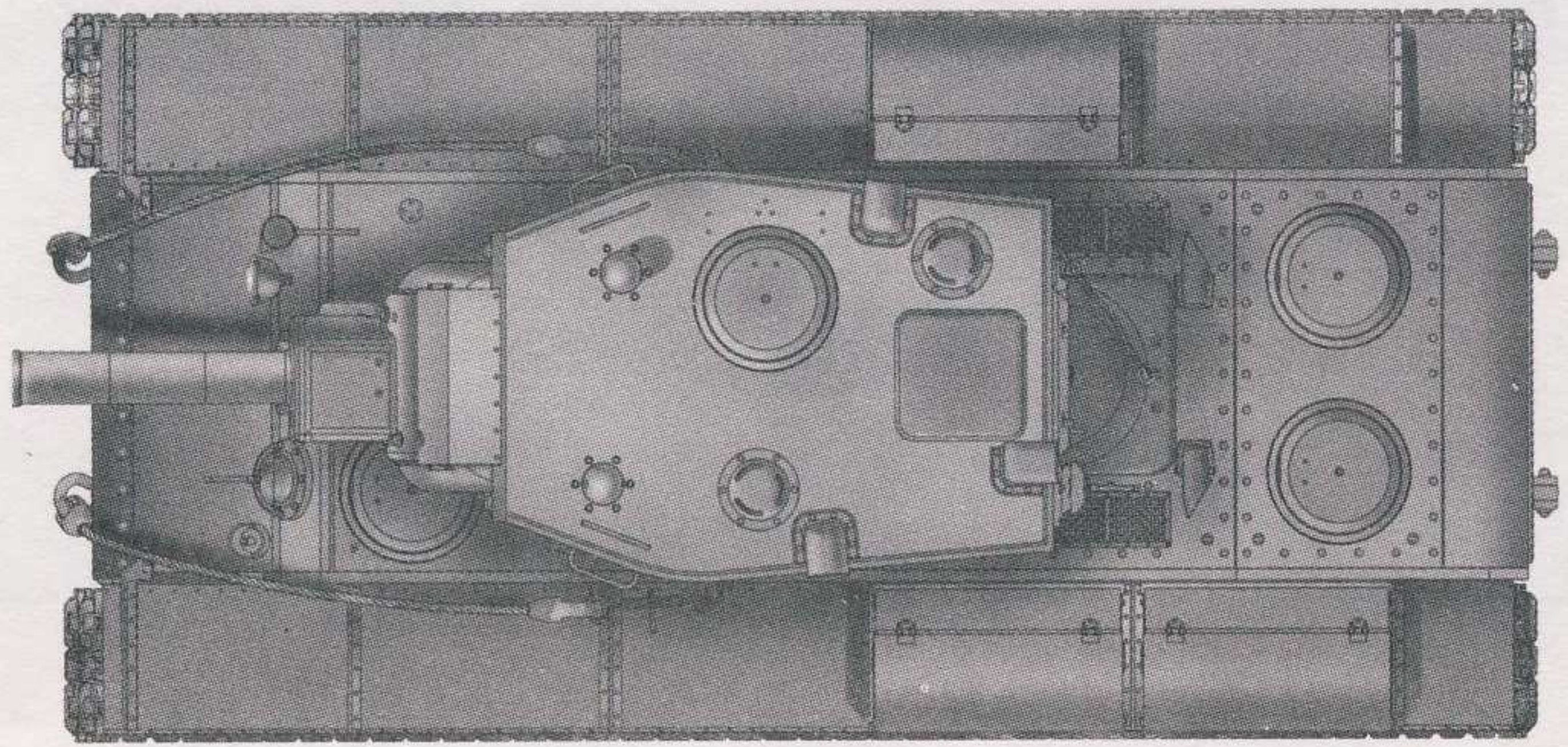
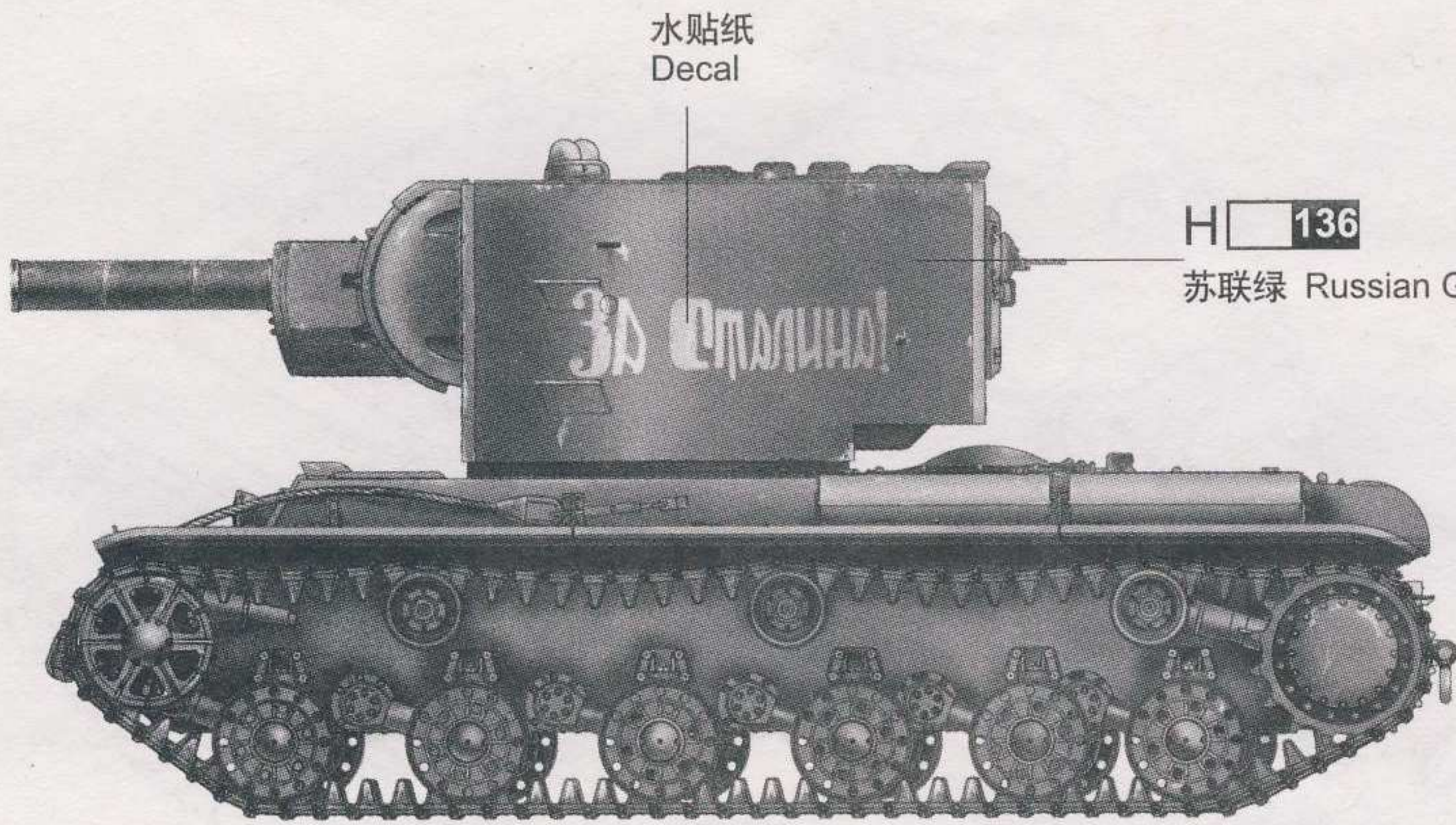


10 完成  
Finish



# 涂装同标贴指示 Painting & Marking guide

H	136	苏联绿 Russian Green
---	-----	-------------------



H X AQUEOUS HOBBY COLOUR

X MR.COLOUR