

# P-47N "Thunderbolt"

## 1:32 SCALE

## P-47N"雷电"战斗机

### READ BEFORE ASSEMBLY:

- This kit is not recommended for inexperienced modelers or for children under 14 years of age
- Study and understand these instructions thoroughly before beginning assembly
- When needed, remove photo-etch parts carefully using a modeling knife or photo etch sprue cutter, being careful not to damage or lose small parts.
- Take extra care in handling photo etch parts in order to avoid injury
- Apply instant cement sparingly to photo etch parts where instructed

### 水贴纸的使用:

1. 从水贴纸上剪下印花;
2. 将印花放入温水中浸10秒, 然后放在干净布上。
3. 拿着印花纸将印花移到模型上;
4. 手指蘸水将印花移到适当的位置;
5. 用软布轻压印花直至水干, 气泡消失。

### DECAL APPLICATION:

1. Cut decals from sheet as needed
  2. Dip the decal in warm water for about 10 seconds and then place on soft clean cloth.
  3. Hold the decal backing sheet edge and gently slide the decal onto the model in its proper position.
4. While still wet, decal can be adjusted for better fit on model by dampening it gently with your finger.
5. When placed in the proper position, gently press decal down with a soft cloth until excess water and air bubbles are gone.
6. Allow decal to dry completely before handling model

### 装配之前仔细阅读

- 小心用模型锉刀锉平所有零件表面的注射浇口。
- 小心用刀片切下蚀刻片零件, 不要遗失小零件。
- 用强力快干胶水粘合蚀刻片零件和金属轴。过量的快干胶水使用可能导致可动零件会粘住, 小心涂胶。
- 蚀刻片时应特别注意安全, 防止利边划伤手指。
- 某些零件表面需贴水上贴纸, 请选择在装配的同时进行。
- 推荐模型工具(自备): 胶水, 水口剪刀, 长咀钳, 刀片, 锉刀, 镊子钳, 钻, 剪刀, 瞬间快干胶。
- 软布同砂纸同时也应该是必备工具。
- 请使用塑料胶水和油漆, 模型内不含。
- 谨防小孩咬吮塑料零件, 或者将塑料袋套在头上, 制作时应将套材远离小孩接触。
- 本产品不适合14岁以下没有经验的模型爱好者。

- Tools recommended(not included in kit):Plastic and instant cements,sprue cutters,long nose pliers,,modeling knife, small files, tweezers, pin vise & scissors. Soft cloth and sandpaper will also assist in construction
- Glue and paint are not included in the kit. Use plastic cement and hobby paints only. Color guide for purchasing paint is included in the kit.
- Keep out of reach of children. They must not be allowed to ingest small parts or handle plastic bags in any way.



使用强力胶



配重



钻孔



切除

Cyanoacrylate glue Make hole Cut / Remove



锉平



选择



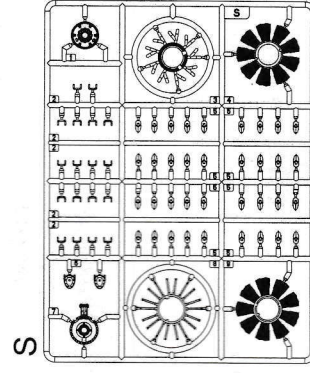
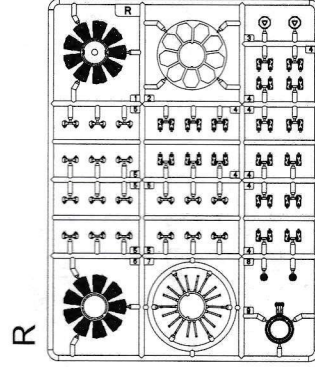
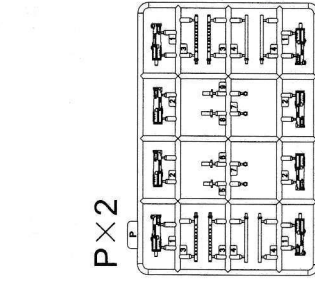
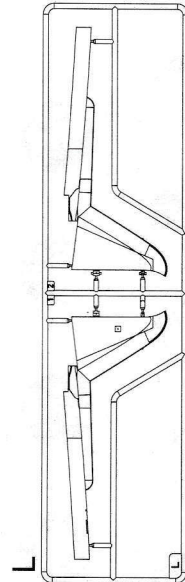
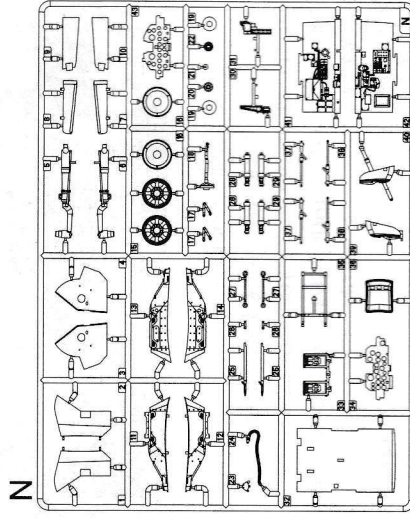
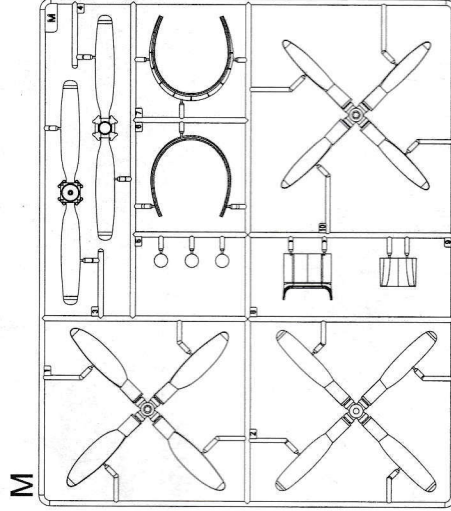
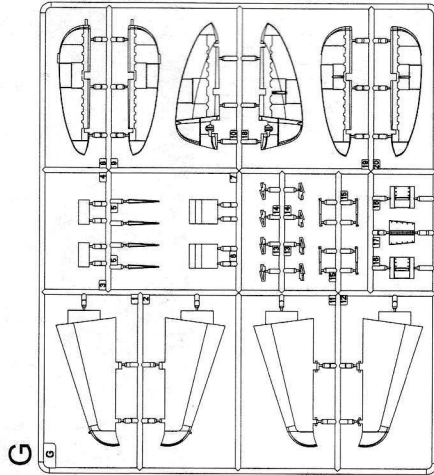
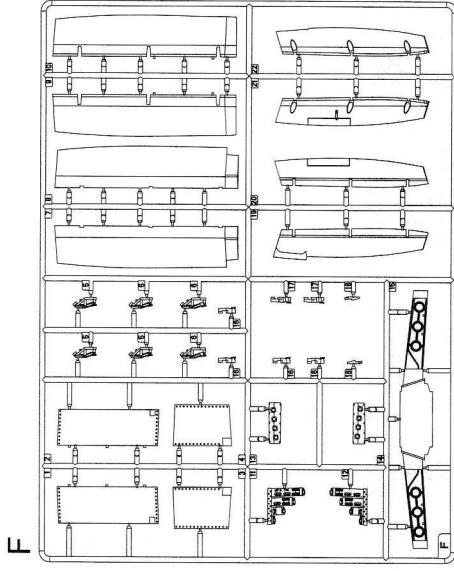
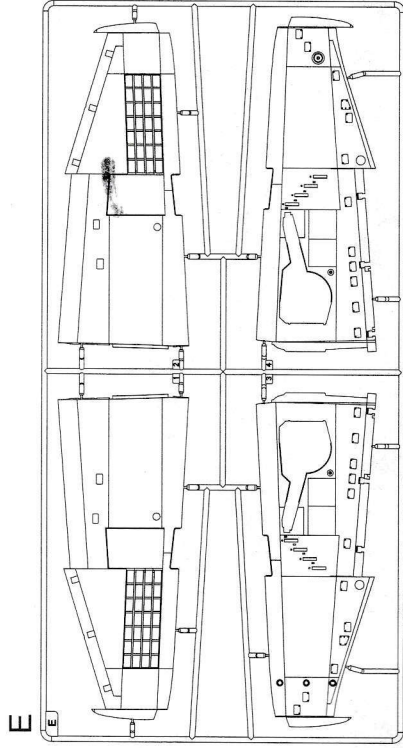
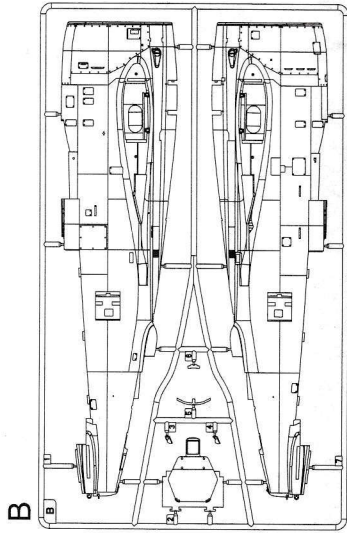
不涂胶水



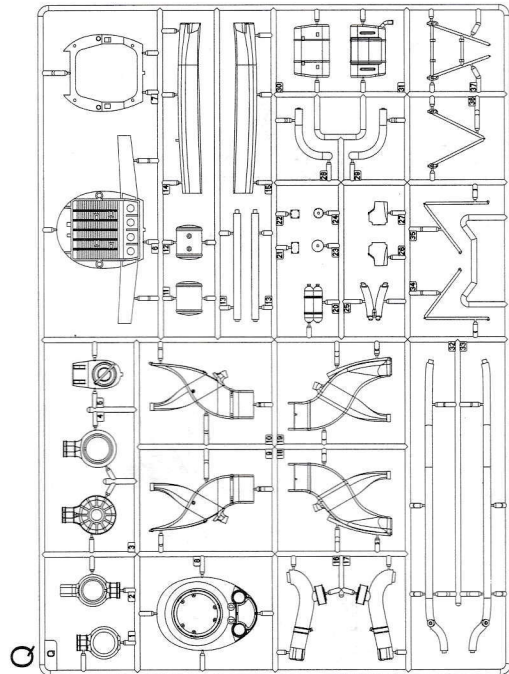
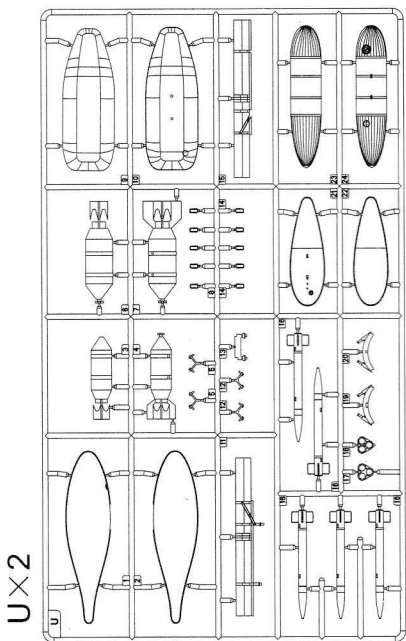
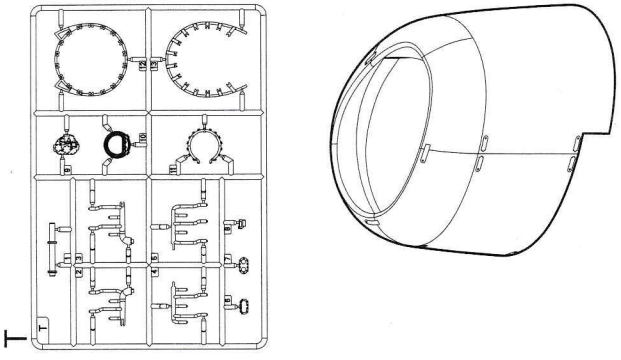
弯曲

Decal File / Sand Option No cement Bend

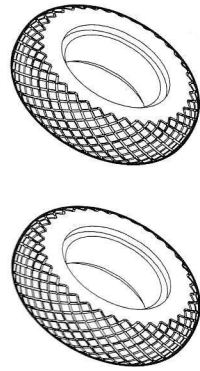
部品图 Parts



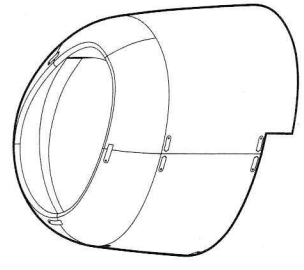
部品图 Parts



<<尾轮>>  
Tail tire

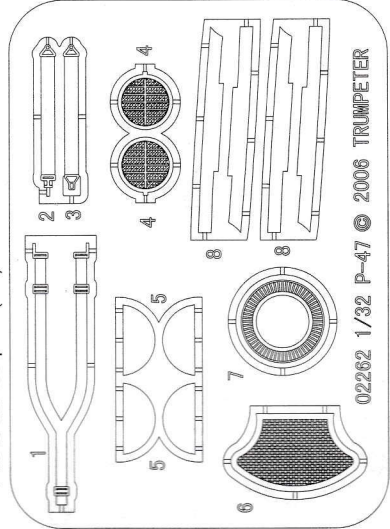


<<主轮胎>>  
Main tire

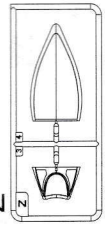


<<引擎罩>>  
Cowling

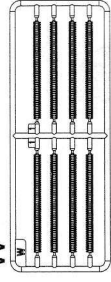
Photo etched parts(PE)



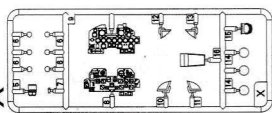
Z



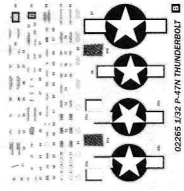
W



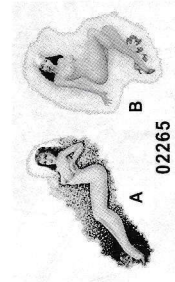
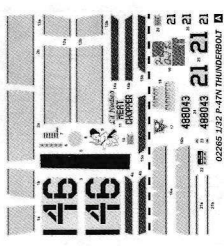
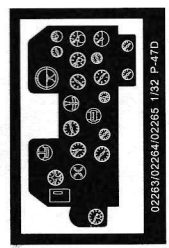
X



<<水贴>>  
Decal

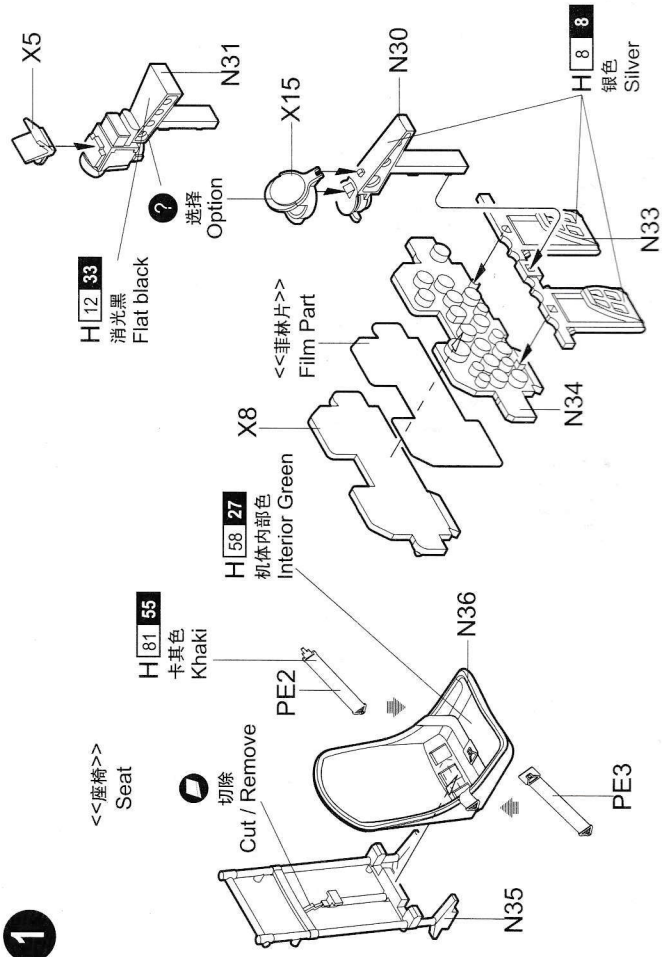


<<菲林片>>  
Film Part

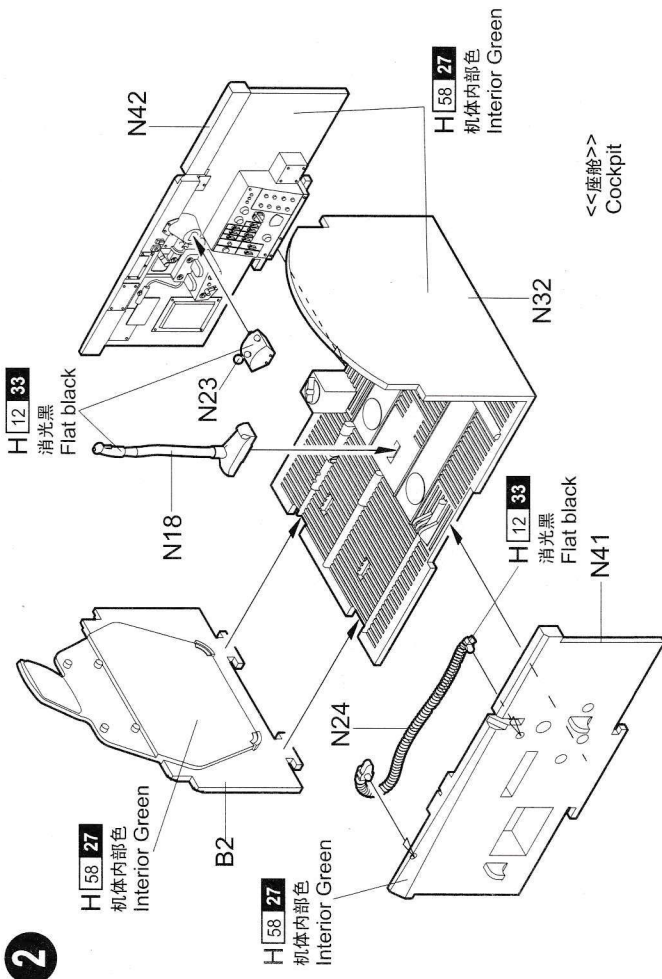


不用的零件: M2 M10 N43 U11 U15 U17 U18 X9 X12 X13 X16  
Unused parts

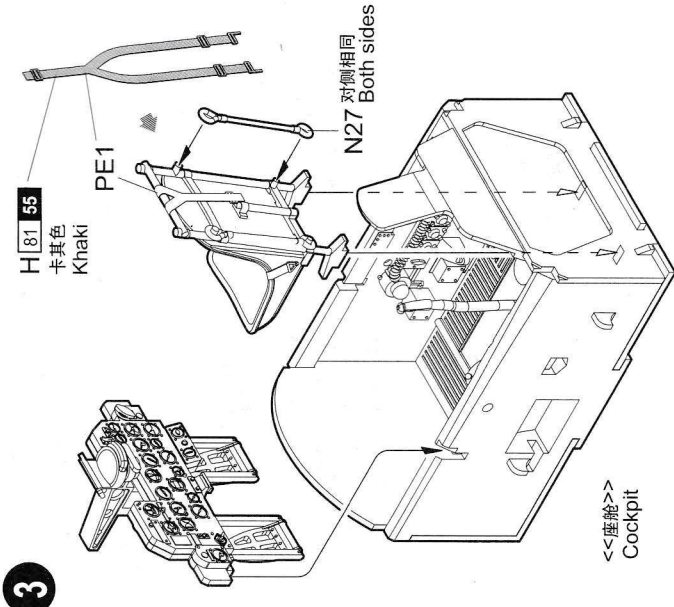
1



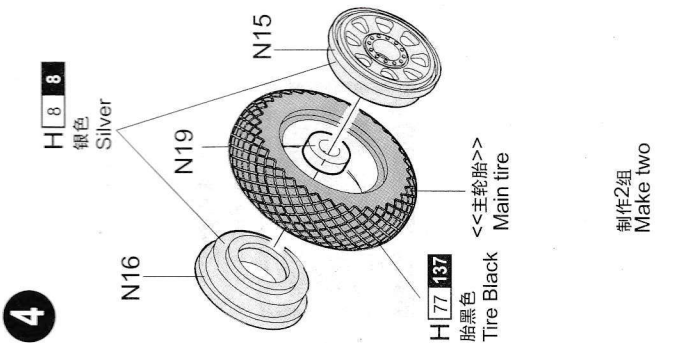
2



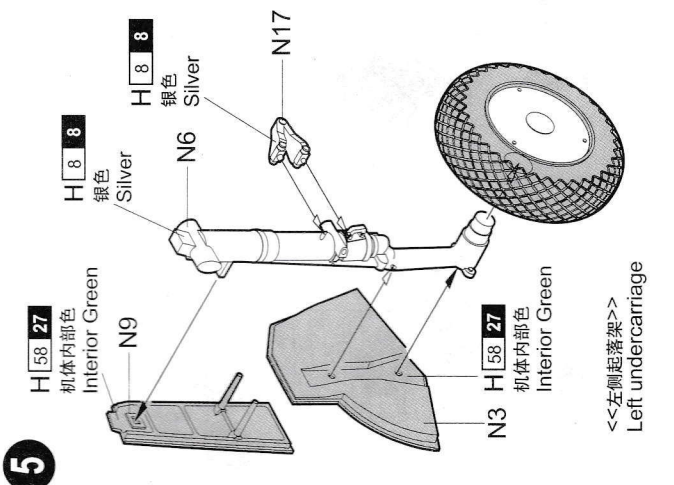
3



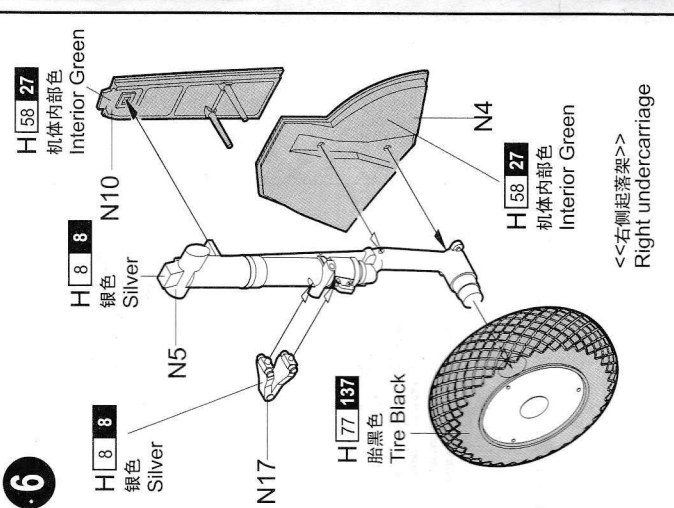
4



5

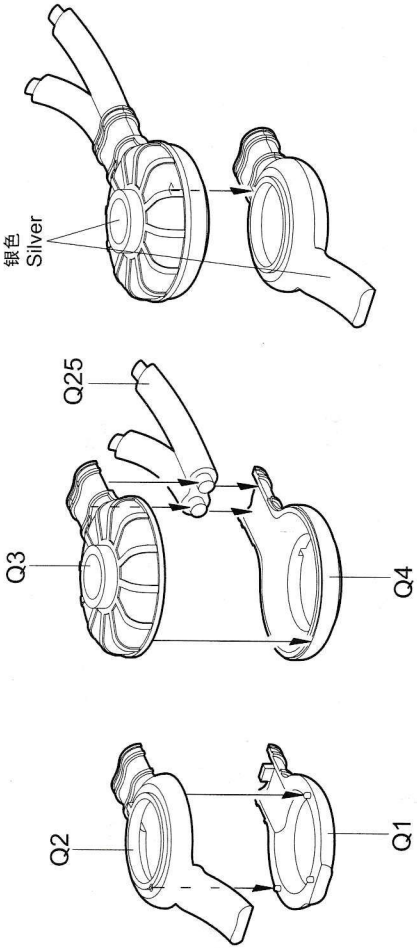


6

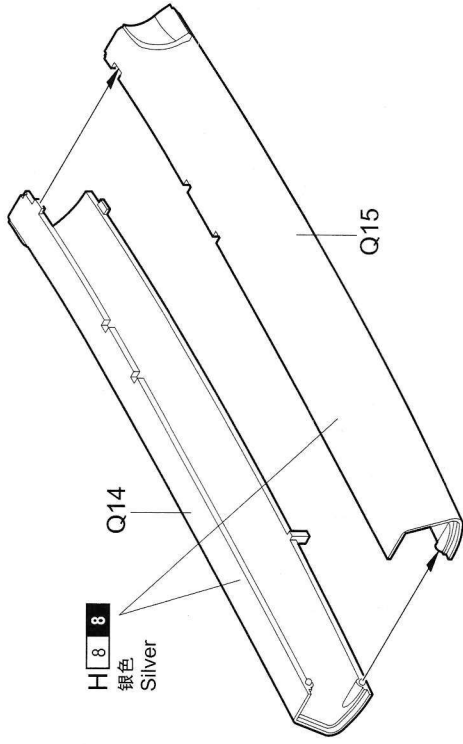




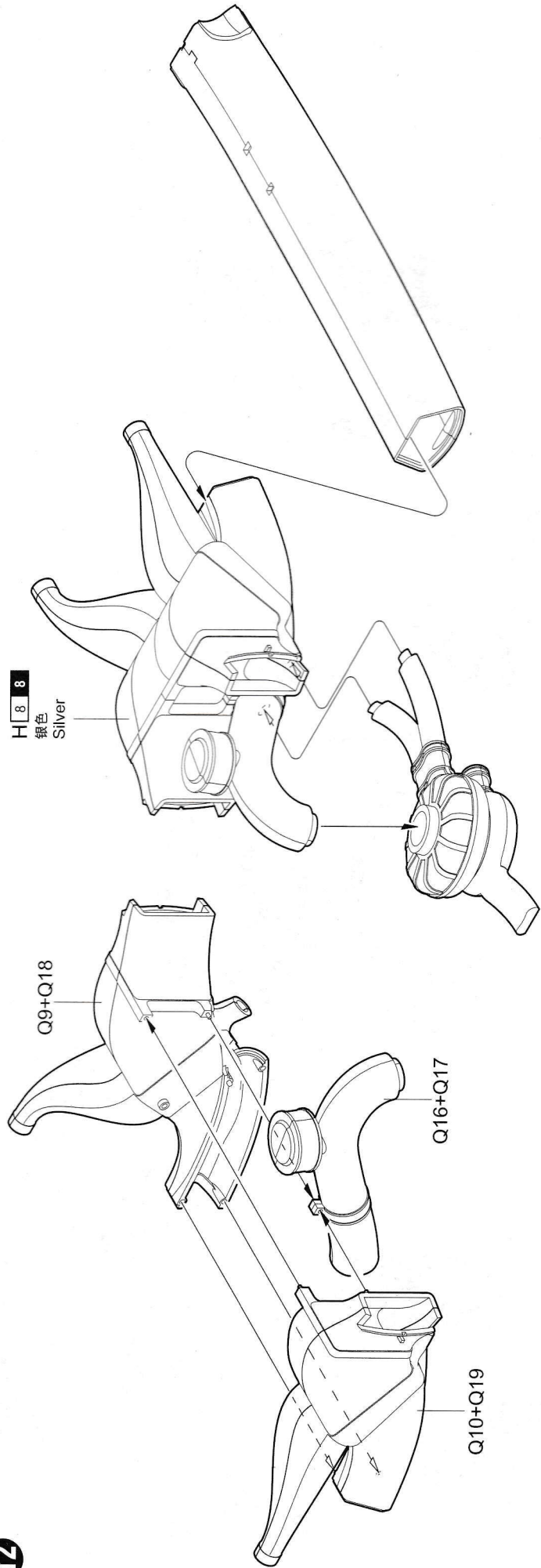
10



11

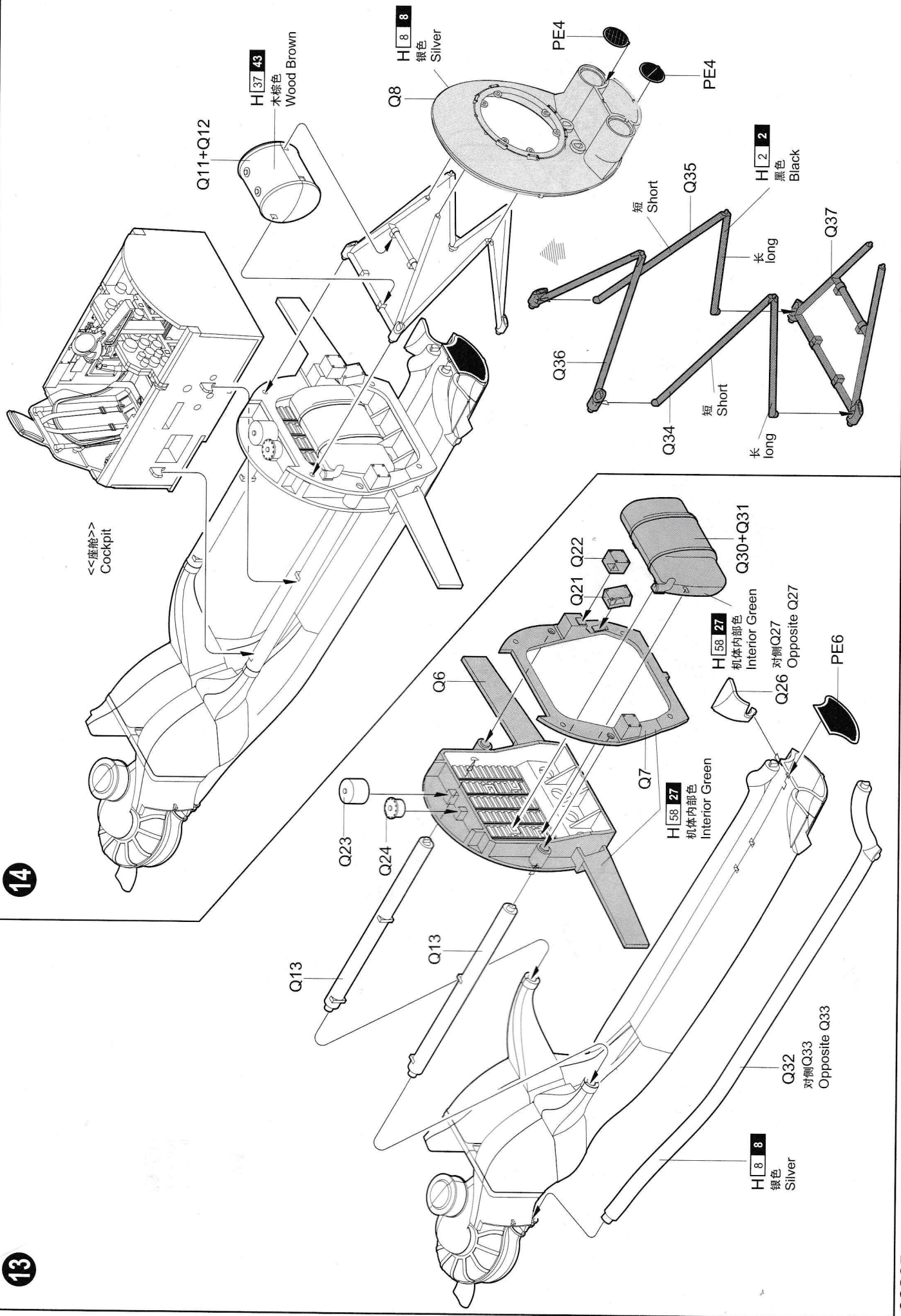


12



14

13



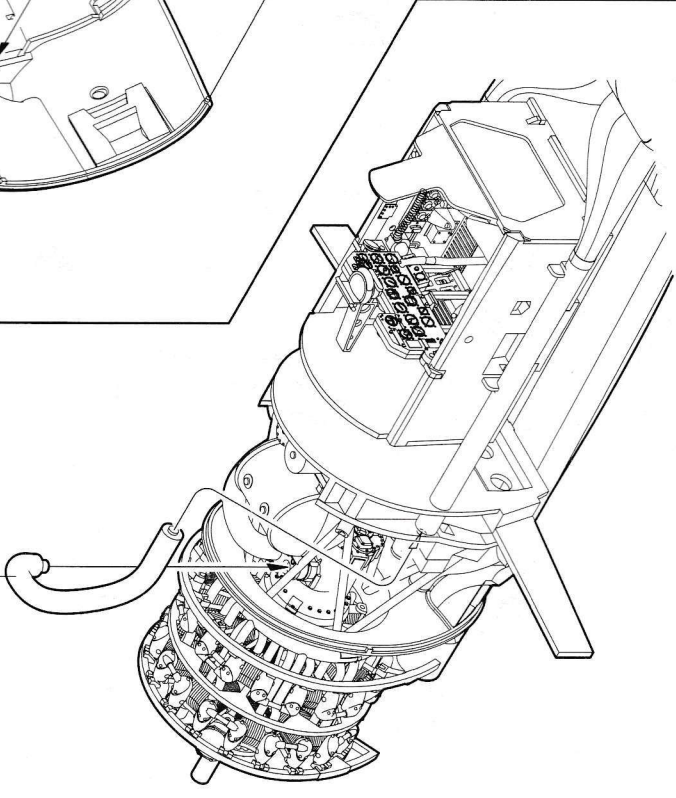
<<座舱>>  
Cockpit

15

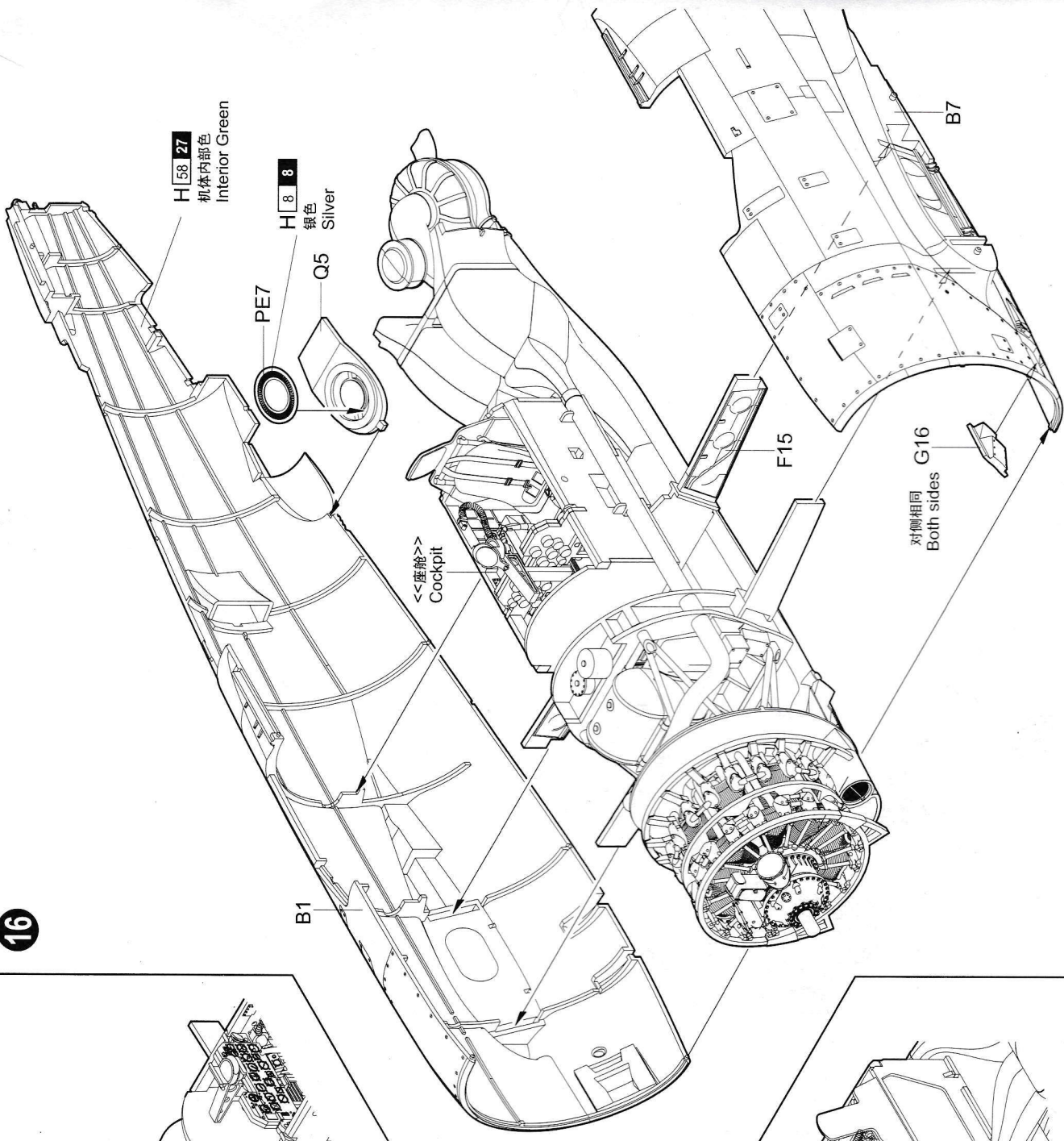


<<发动机>>  
Engine

对侧Q28  
Opposite Q28



16



H58 27  
机体内部色  
Interior Green

H8 8  
银色  
Silver

PE7

Q5

<<座舱>>  
Cockpit

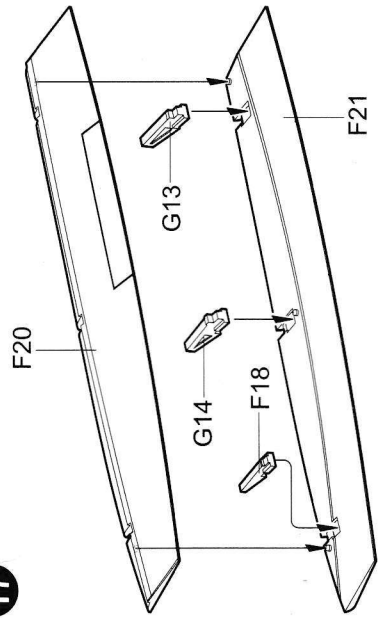
F15

对侧相同  
Both sides  
G16

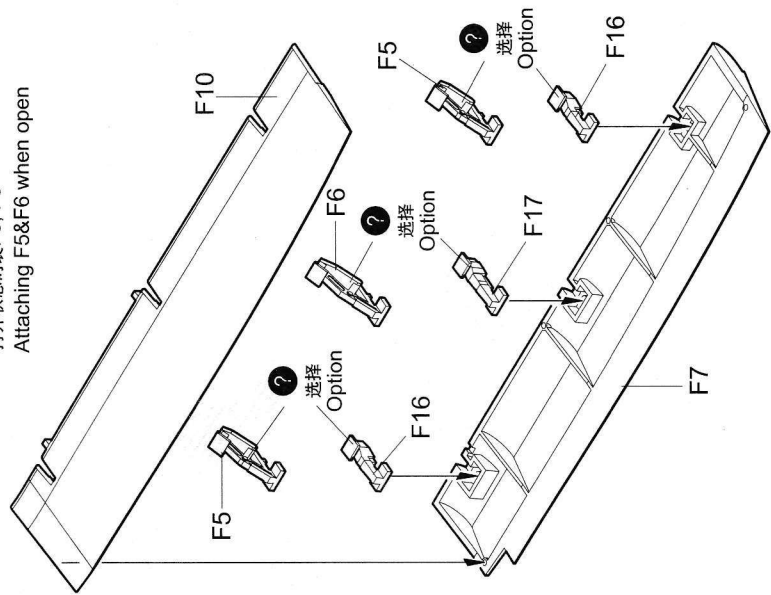
B7

B1

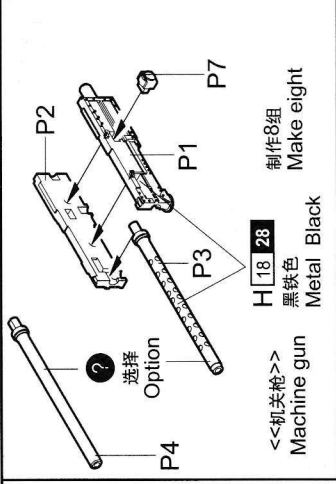
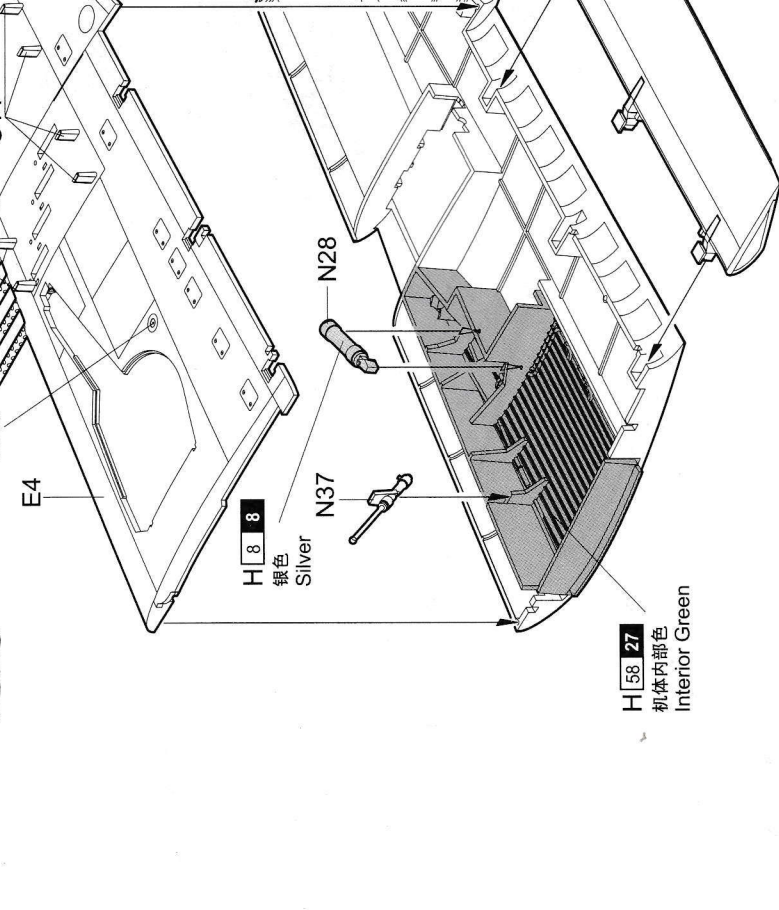
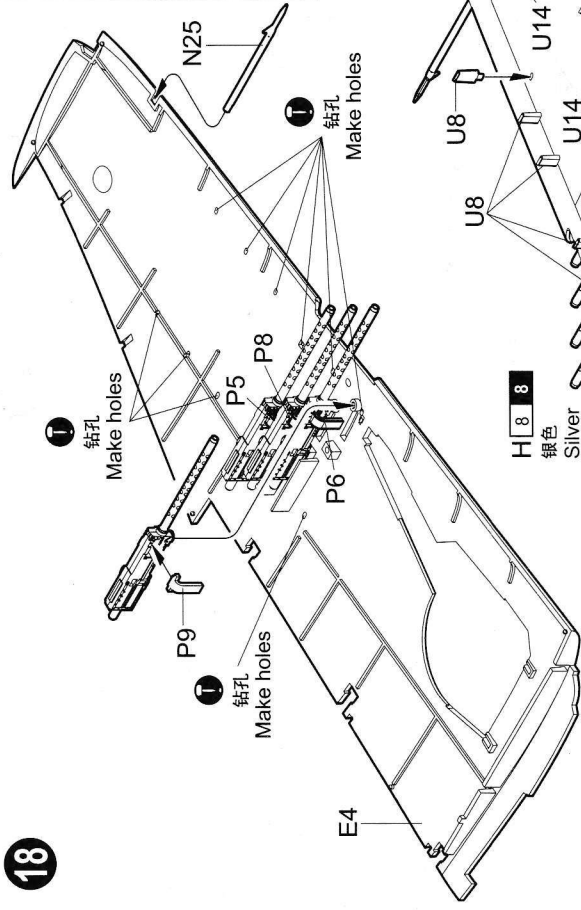
17



打开状态时装F5, F6  
Attaching F5&F6 when open



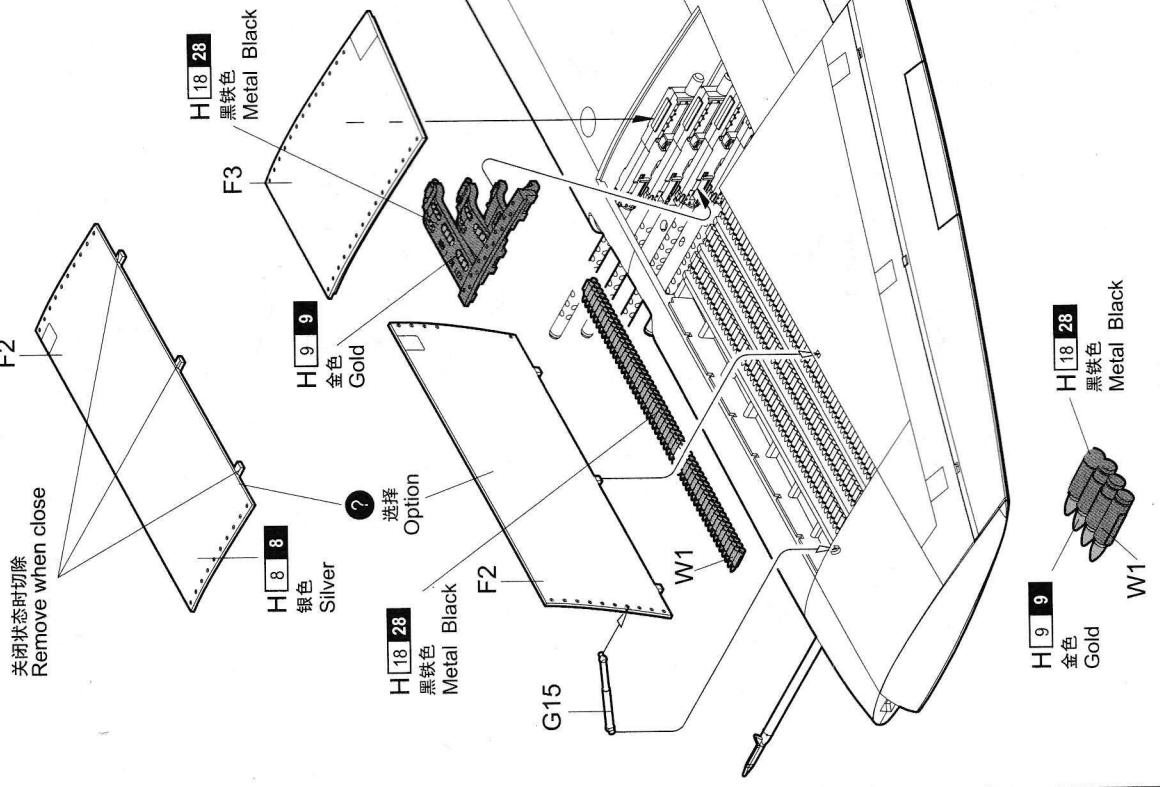
18



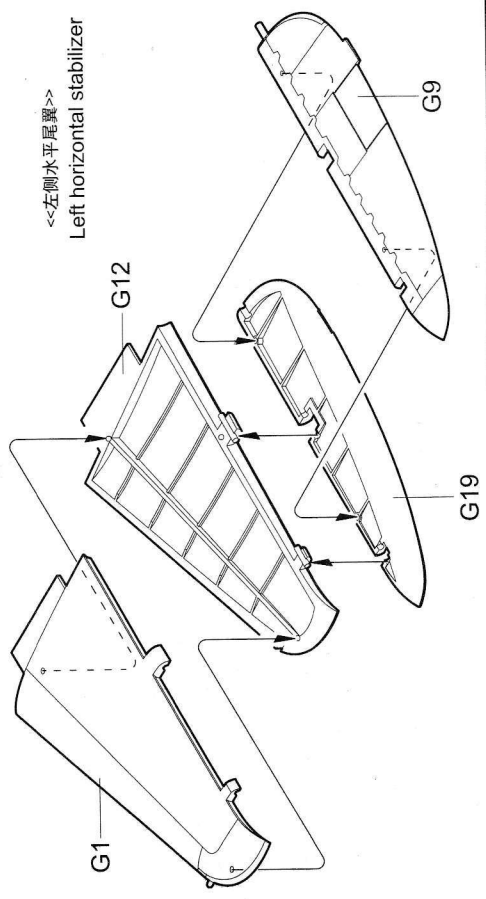
H[18] 28  
黑色 Metal Black  
制作8组 Make eight  
Machine gun  
选项 Option

H[58] 27  
机体内部色 Interior Green

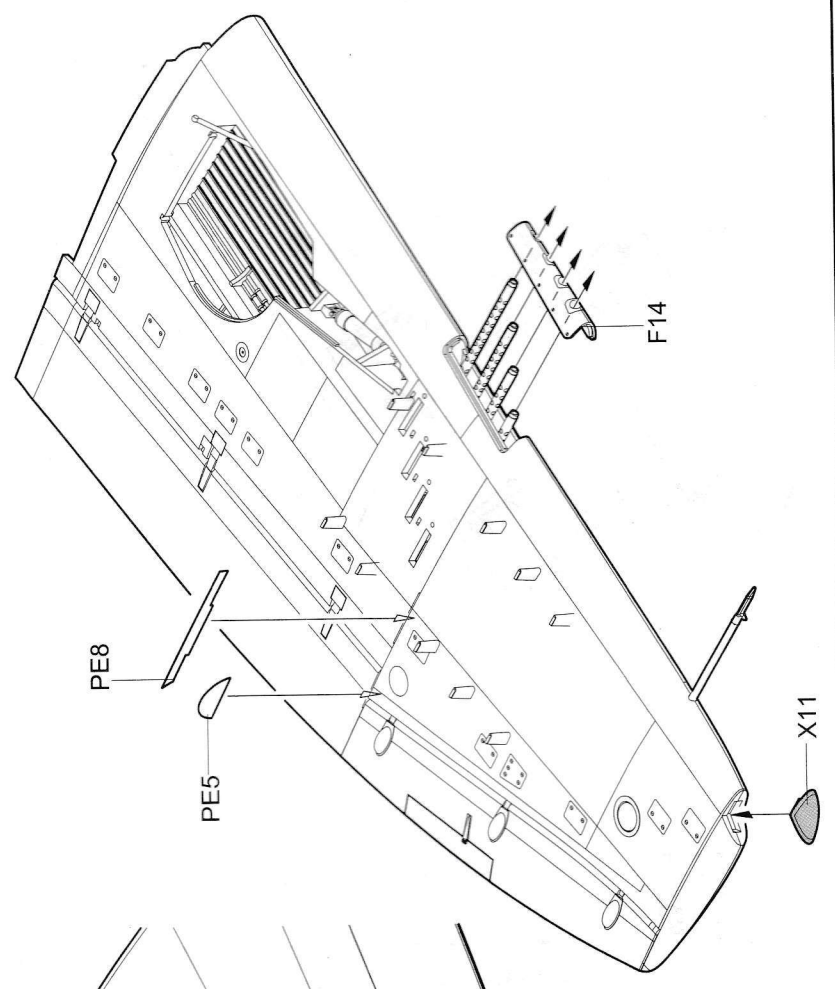
19



20



<<左侧水平尾翼>>  
Left horizontal stabilizer



<<左侧机翼>>  
Left wing

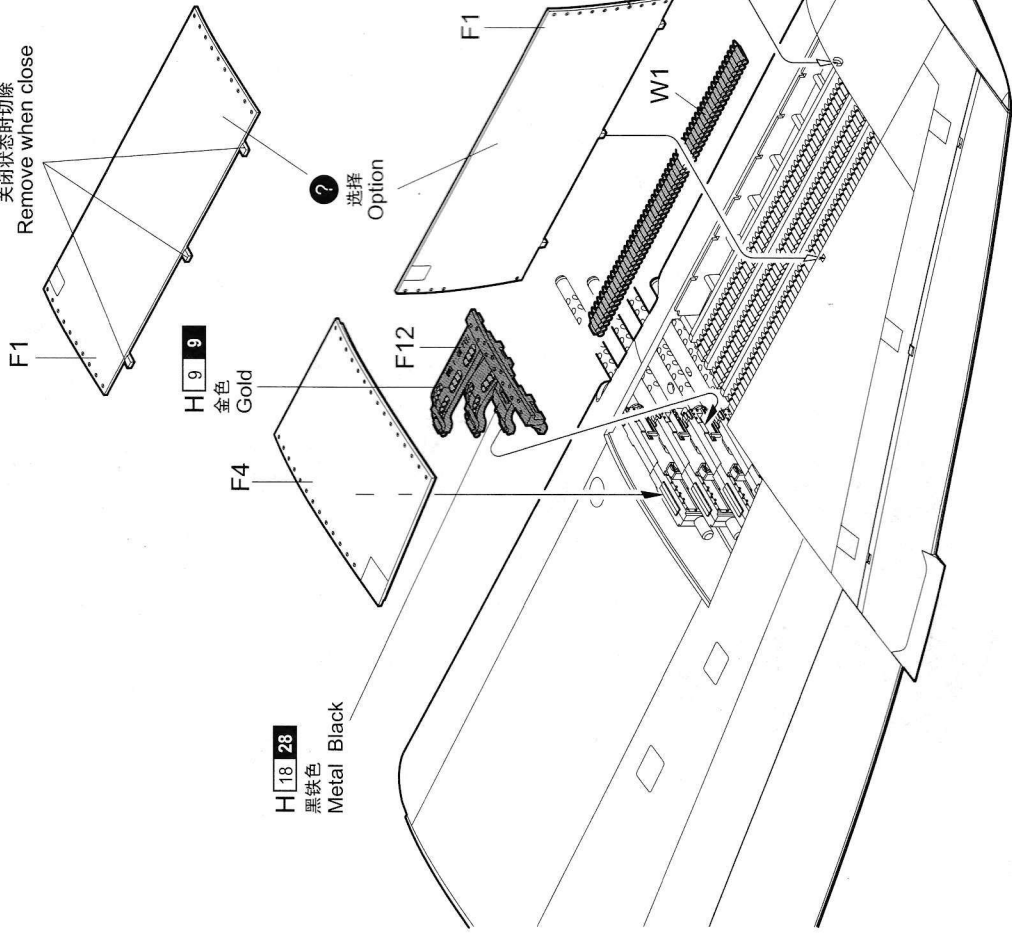
10

02265



24

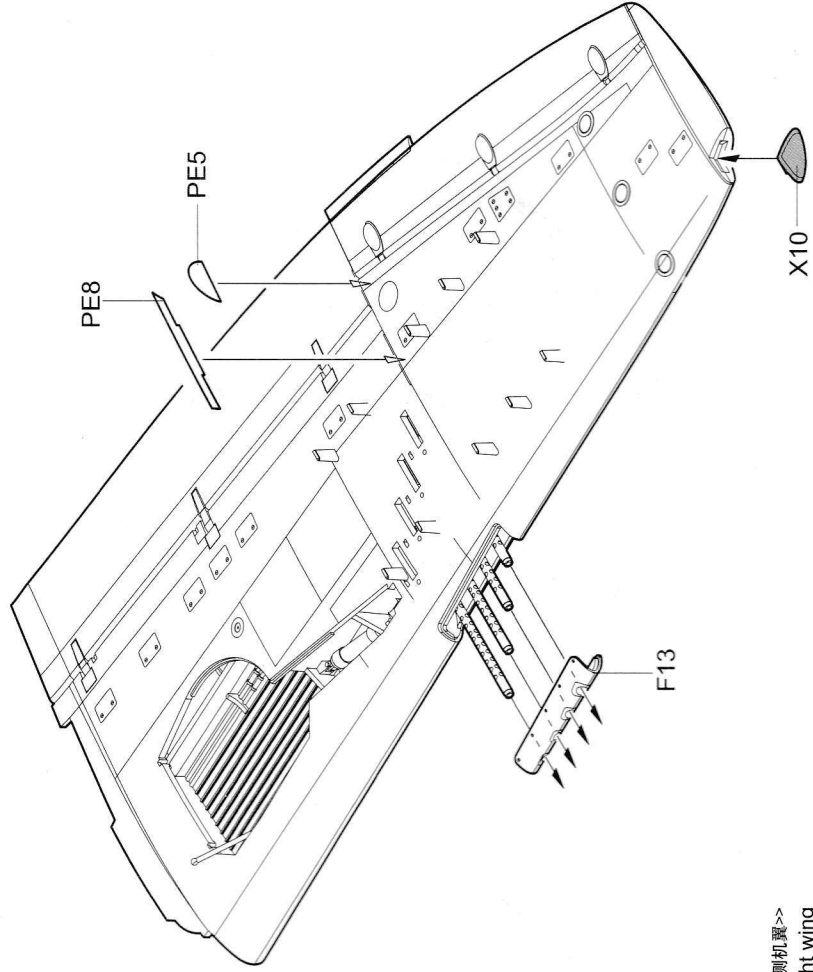
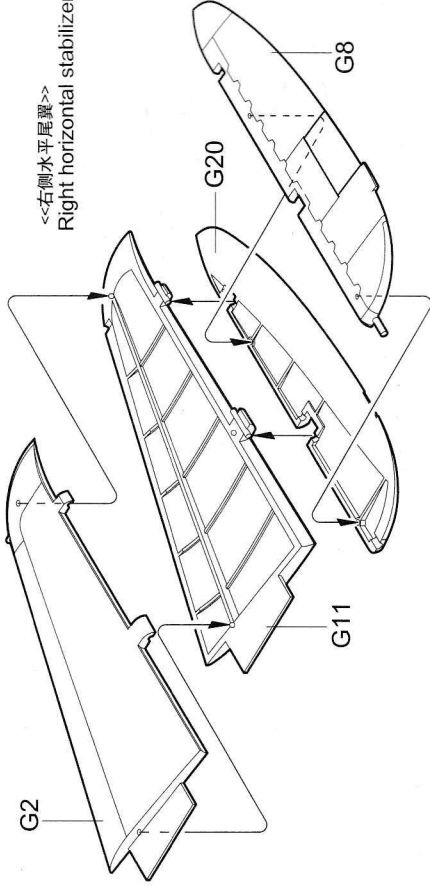
关闭状态时切除  
Remove when close

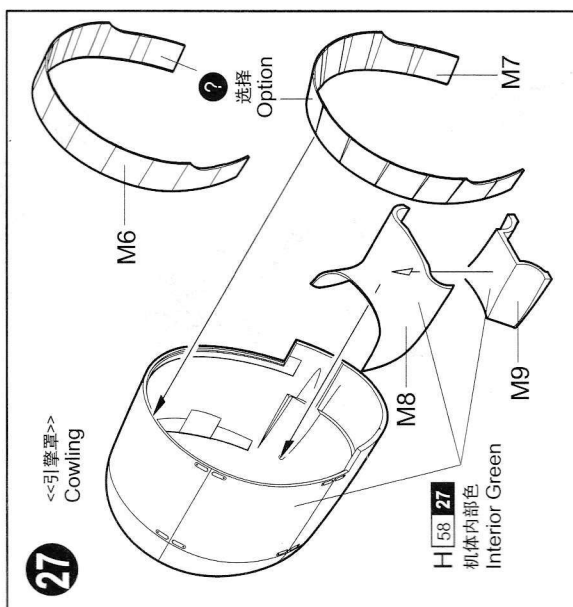
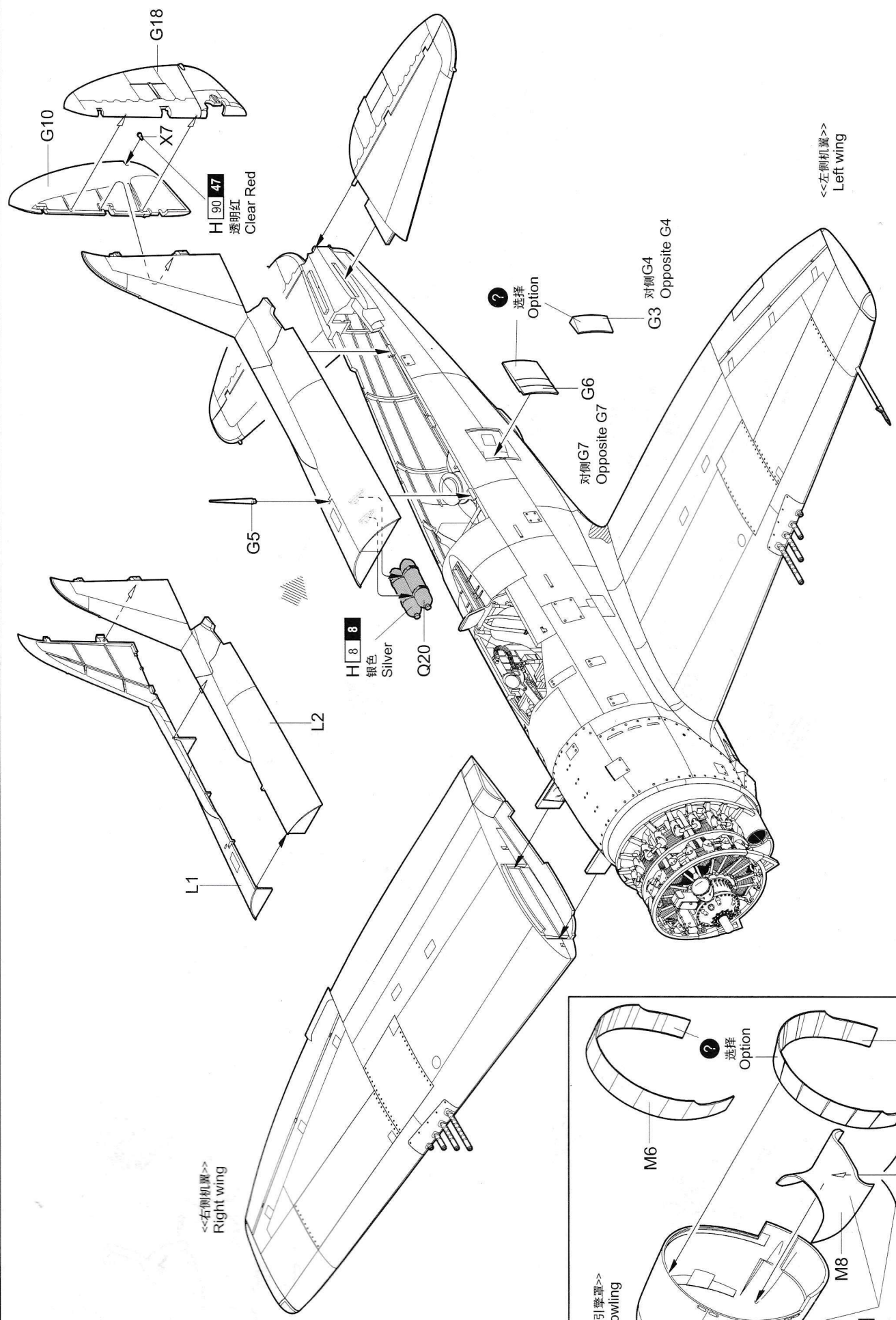


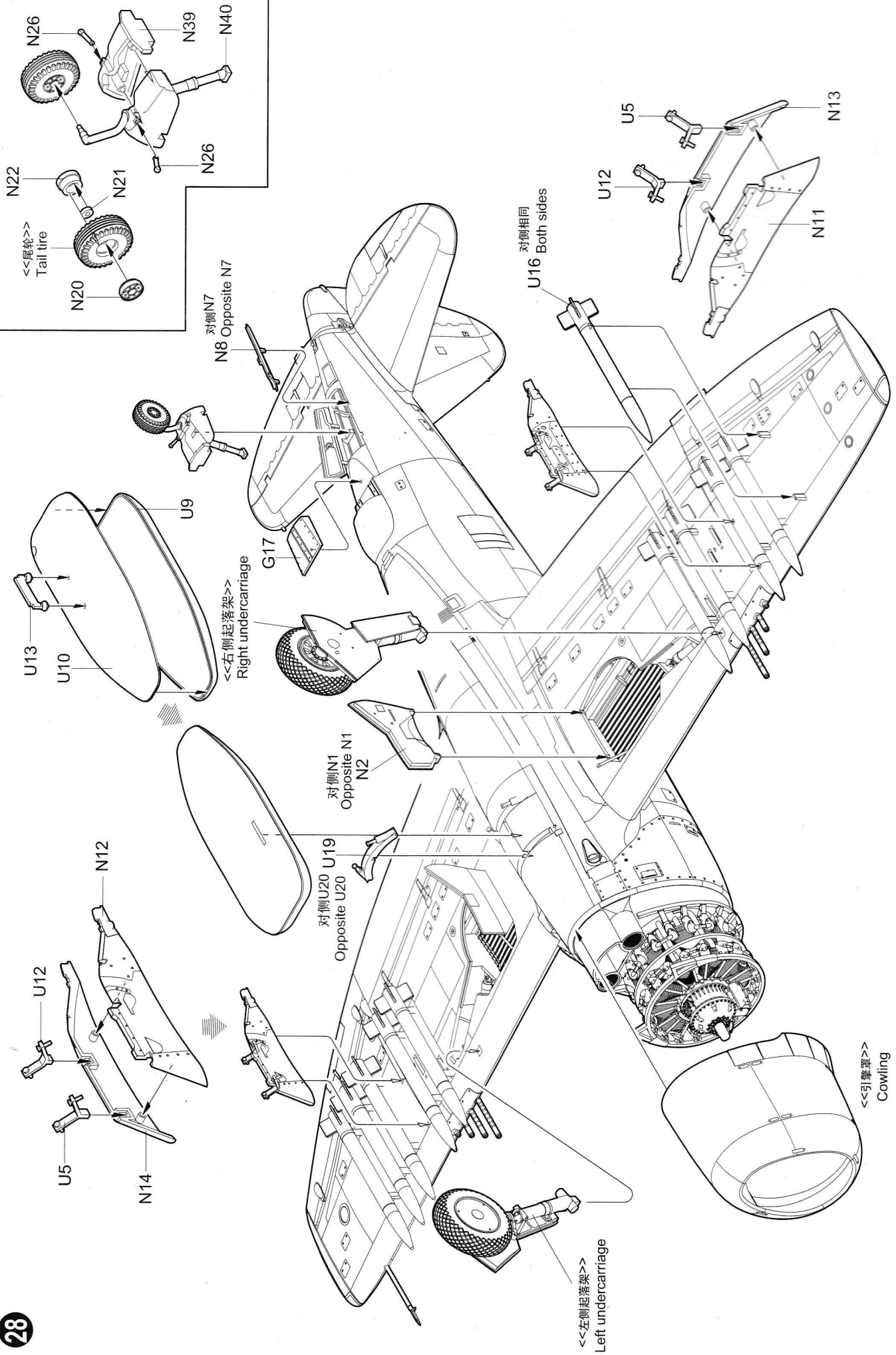
<<右侧机翼>>  
Right wing

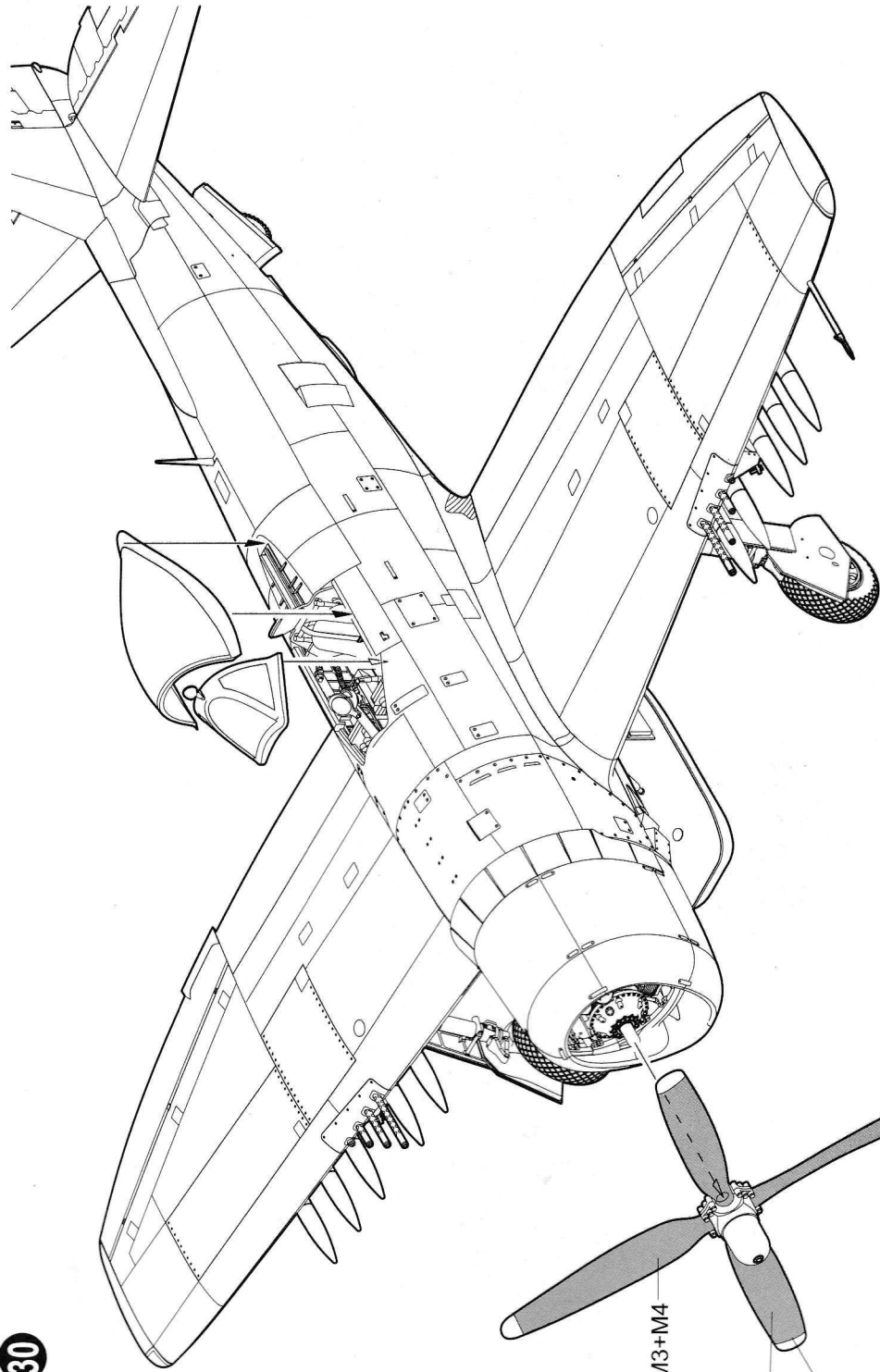
25

<<右侧水平尾翼>>  
Right horizontal stabilizer



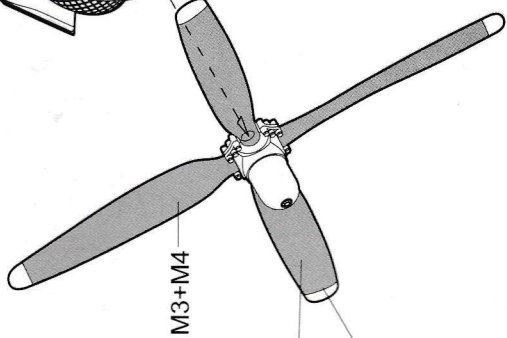
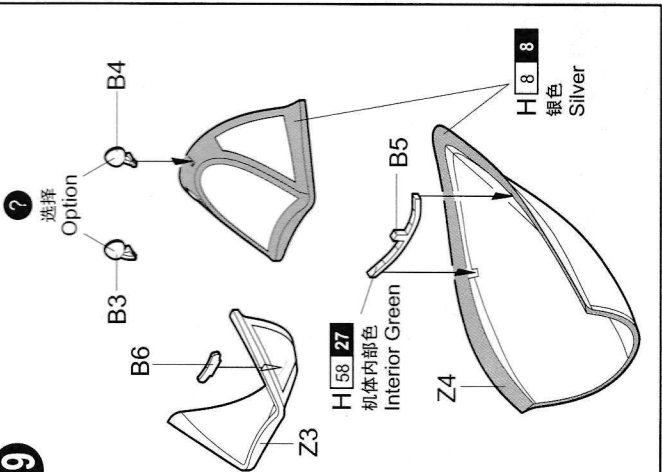






30

29



M3+M4

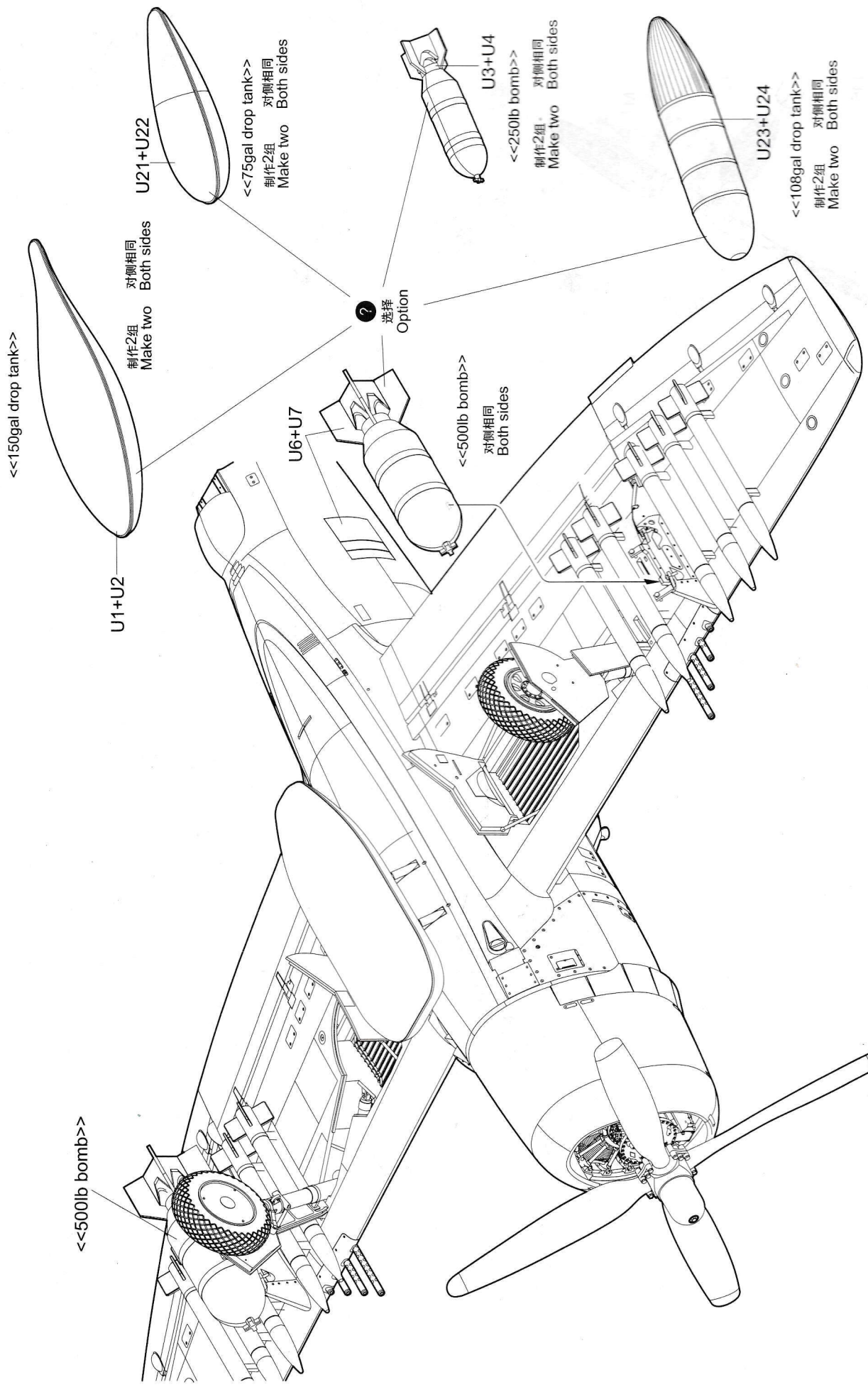
H 2 2  
黑色  
Black

?  
选择  
Option

M1

H 329 329  
黄色  
Orange Yellow

M5



# 涂装同标贴指示

## Painting & Marking guide

**A** P-47N(44-88211), flown by Lt. Oscar F.Perdomo, at Le Shima, in August 1945.

### 使用 MR.HOBBY 涂料 Mr. Color Used

H 94	透明绿	Clear Green	H 76 61	烧铁色	Burnt Iron
H 8 8	银色	Silver	H 329 829	黄色	Orange Yellow
H 58 27	机体内部色	Interior Green	H 77 137	胎黑色	Tire Black
H 12 33	亚光黑	Flat black	H 304 304	橄榄色	Olive Drab
H 90 47	透明红	Clear Red			

