

# M1127 Stryker Reconnaissance Vehicle (RV)

ITEM NO.:00395

M1127 "斯崔克" 装甲侦察车

1:35 SCALE



## READ BEFORE ASSEMBLY:

- Study and understand these instructions thoroughly before beginning assembly
- When needed, remove photo-etch parts carefully using a modeling knife or photo etch sprue cutter, being careful not to damage or lose small parts.
- Take extra care in handling photo etch parts in order to avoid injury
- Apply instant cement sparingly to photo etch parts where instructed
- Tools recommended(not included in kit):Plastic and instant cements,sprue cutters,long nose pliers,,modeling knife, small files, tweezers, pin vise & scissors. Soft cloth and sandpaper will also assist in construction
- Glue and paint are not included in the kit. Use plastic cement and hobby paints only. Color guide for purchasing paint is included in the kit.

## 装配之前仔细阅读

- 小心用模型锉刀锉平所有零件表面的注射浇口。
- 小心用刀片切下蚀刻片零件，不要遗失小零件。
- 用强力快干胶水粘合蚀刻片零件和金属轴。过量的快干胶水使用可能导致可动零件会粘住，小心涂胶。
- 取蚀刻片时应特别注意安全，防止利边划伤手指。
- 某些零件表面需贴水上贴纸，请选择在装配的同时进行。
- 推荐模型工具(自备)：胶水，水口剪刀，长咀钳，刀片，锉刀，镊子，钳，钻，剪刀，瞬间快干胶。
- 软布同砂纸同时也应该是必备工具。
- 请使用塑料胶水和油漆，模型内不含。



cyanoacrylate glue  
使用强力胶



weight  
配重



make hole  
钻孔



cut / remove  
切除



bend  
弯曲



file / sand  
锉平



option  
选择



no cement  
不涂胶水



decal  
贴纸

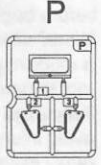
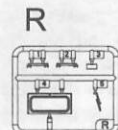
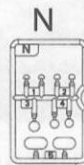
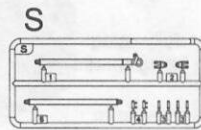
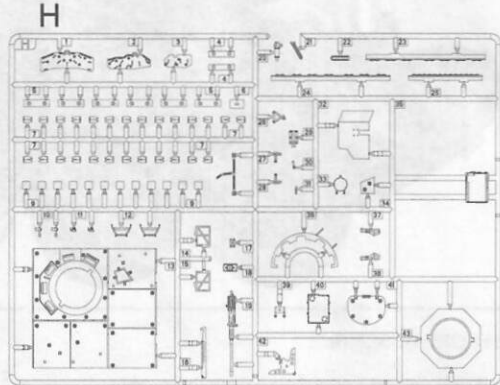
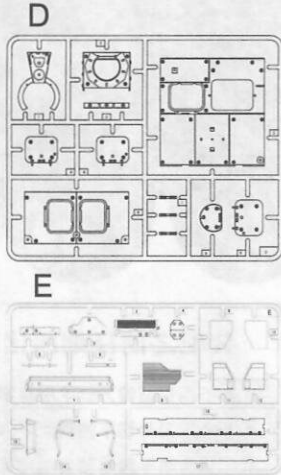
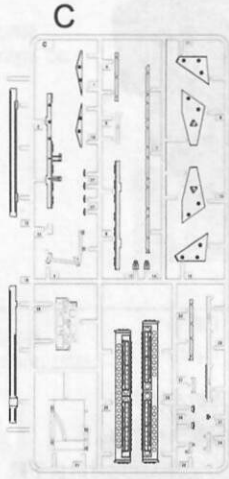
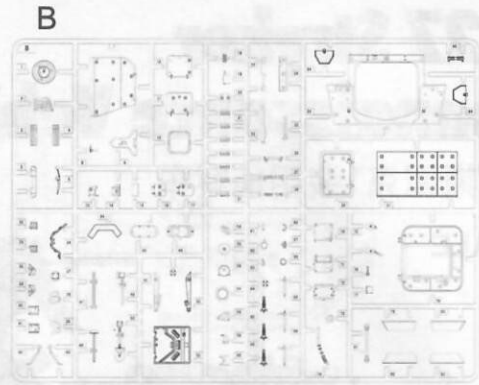
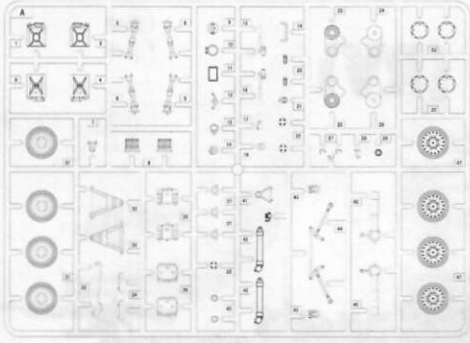
## 水贴纸的使用:

1. 从水贴上剪下印花;
2. 将印花放入温水中浸10秒, 然后放在干净布上。
3. 拿着印花纸板将印花移到模型上;
4. 手指蘸水将印花移到适当的位置;
5. 用软布轻压印花直至水干, 气泡消失。

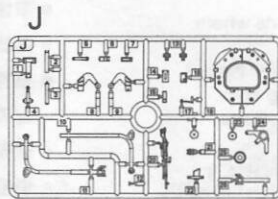
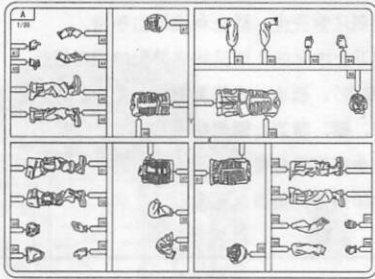
## DECAL APPLICATION:

1. Cut decals from sheet as needed
2. Dip the decal in warm water for about 10 seconds and then place on soft clean cloth.
3. Hold the decal backing sheet edge and gently slide the decal onto the model in its proper position.
4. While still wet, decal can be adjusted for better fit on model by dampening it gently with your finger.
5. When placed in the proper position, gently press decal down with a soft cloth until excess water and air bubbles are gone.
6. Allow decal to dry completely before handling model

部品图 Ax2  
Parts

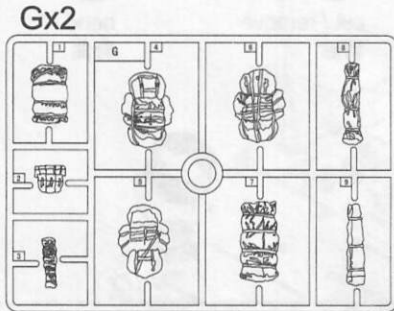


Figures(A)



《蚀刻片》  
Photo Etched Parts(PE)

装备随个人喜好选择安装  
Attach the military Stowages as you like



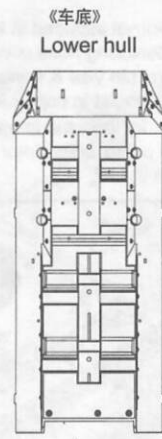
《轮胎》  
Tyre ----- X8



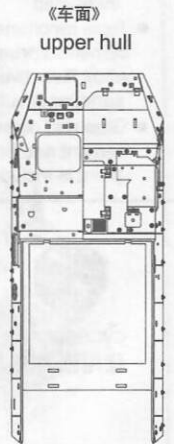
《饮用水箱》  
Water cases



《食品箱》  
MRE ration packs



《车底》  
Lower hull



《车面》  
upper hull



《遮盖纸》  
Mask

《水贴纸》  
Decal



《饮料箱》  
Beverages boxes

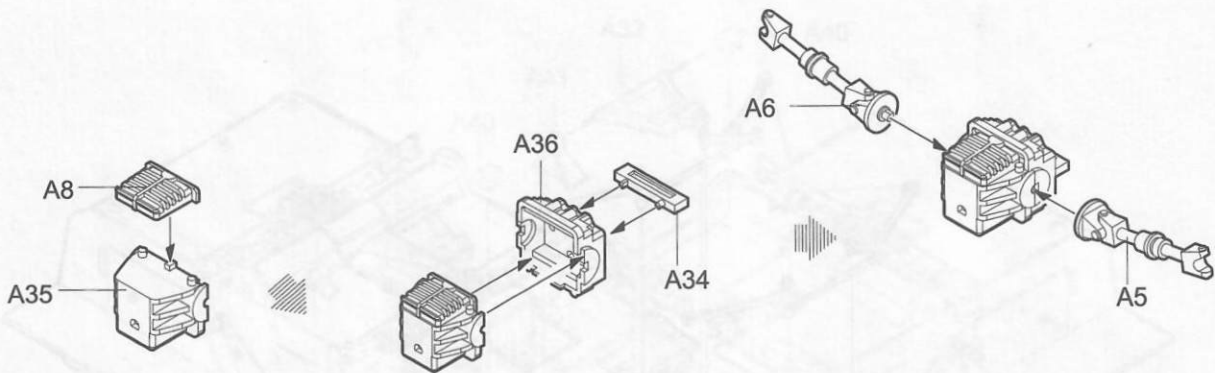


《捆扎带》  
Strapping



1

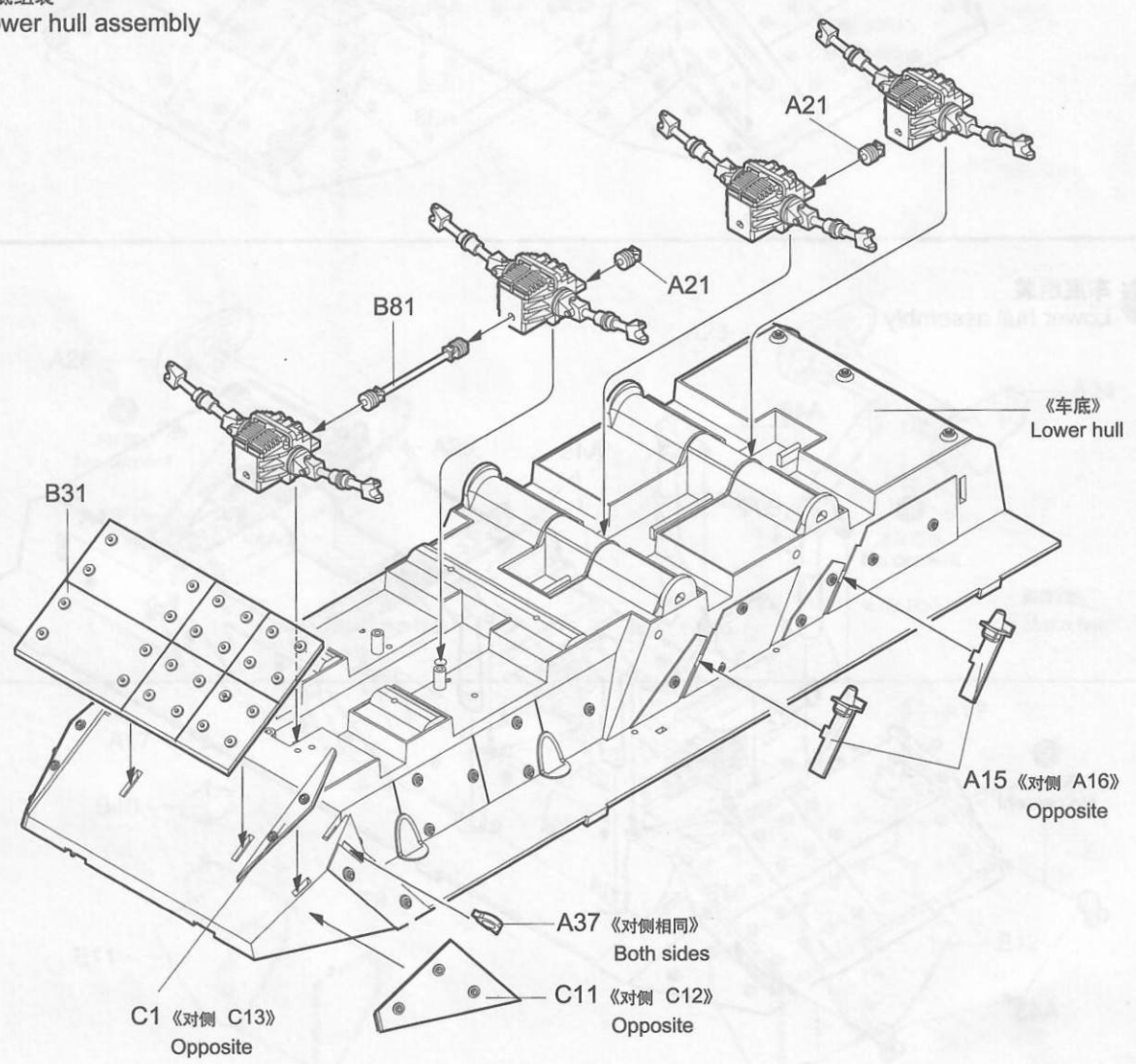
制作4组  
Lower hull assembly



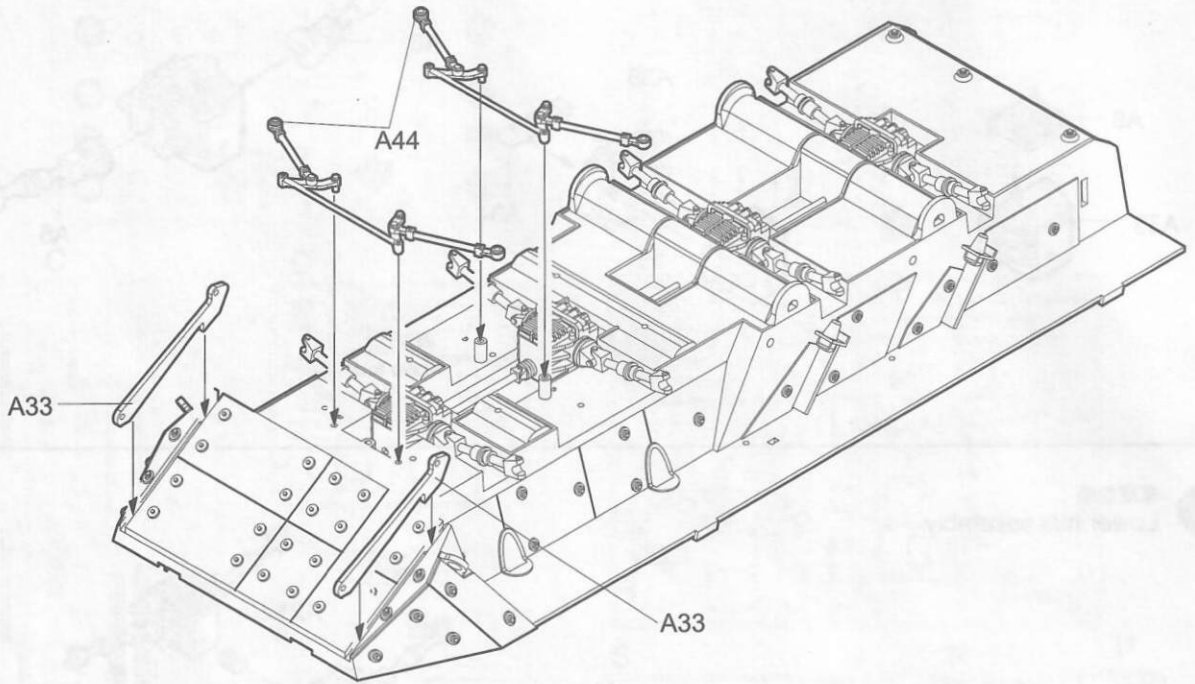
制作4组  
Make four

2

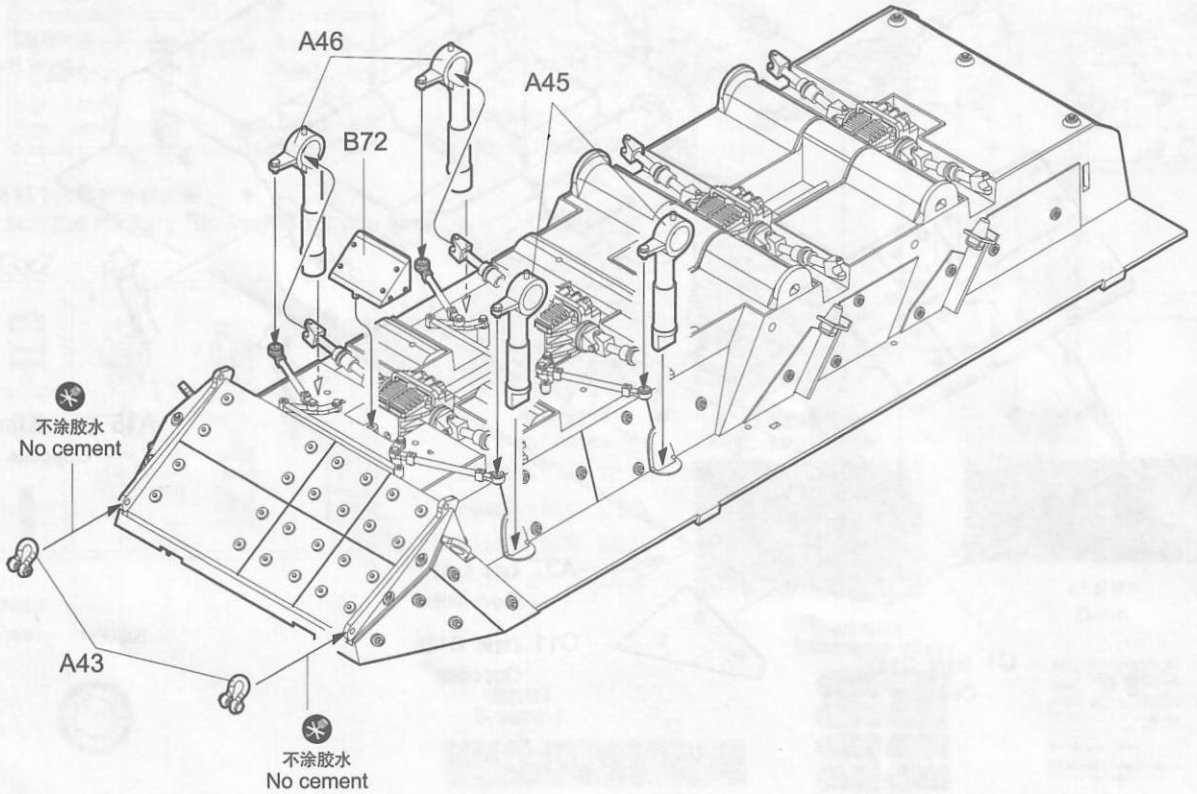
车底组装  
Lower hull assembly



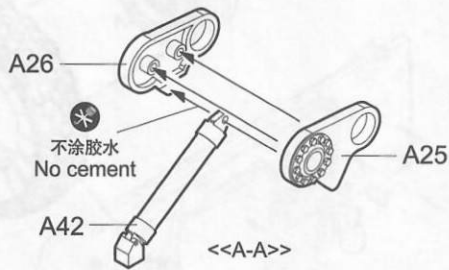
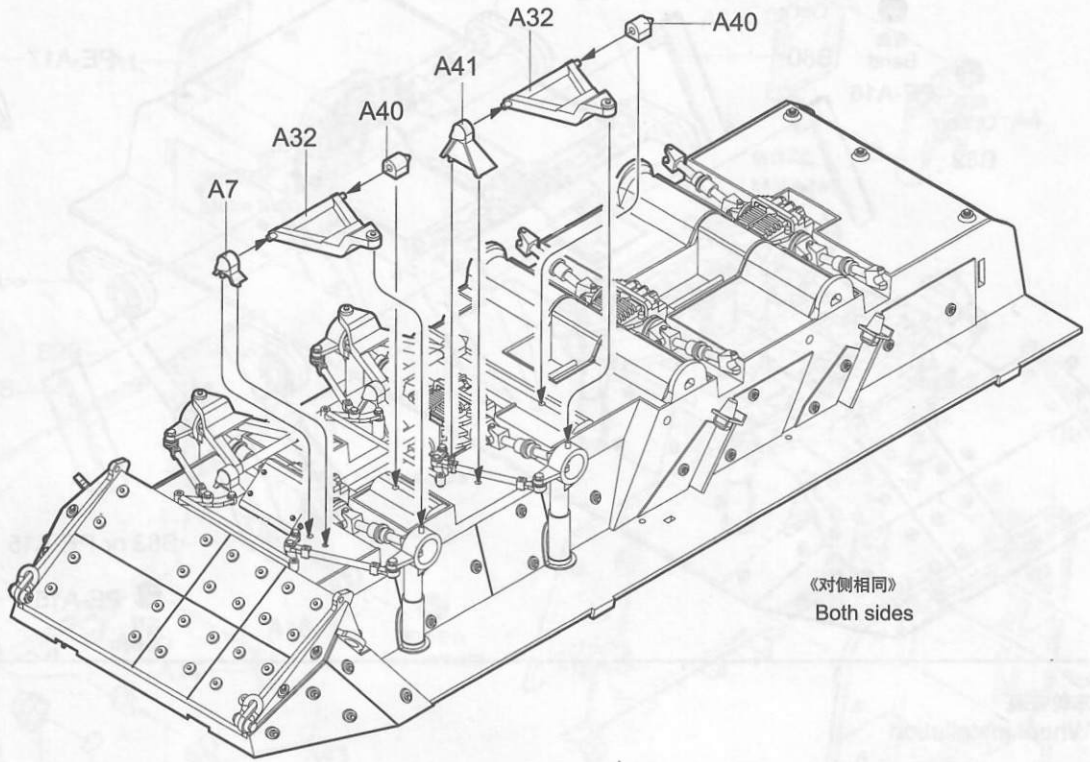
**3** 车底组装  
Lower hull assembly



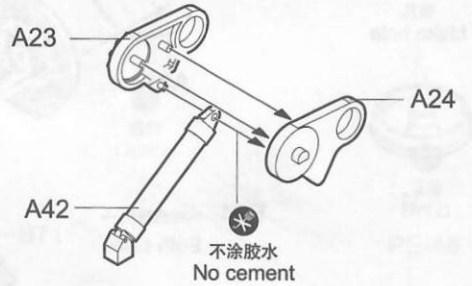
**4** 车底组装  
Lower hull assembly



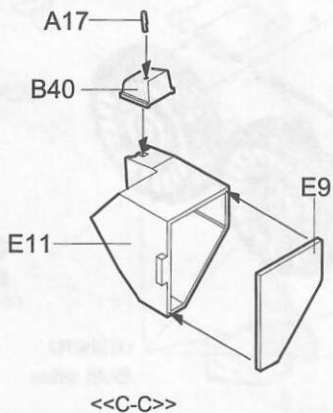
**5** 车底组装  
Lower hull assembly



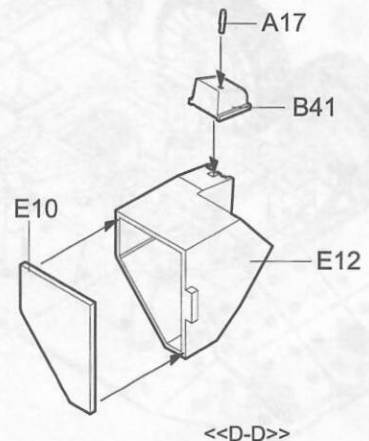
制作2组  
Make two



制作2组  
Make two

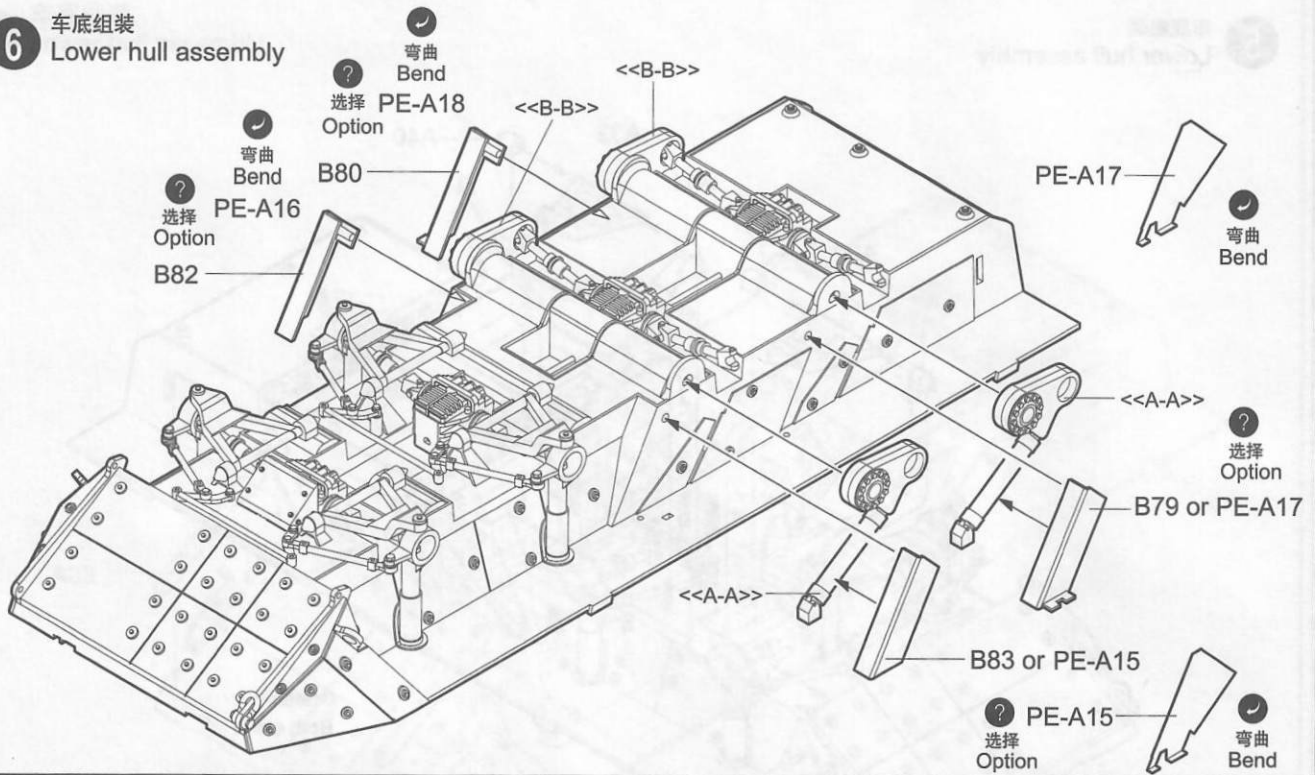


<<C-C>>

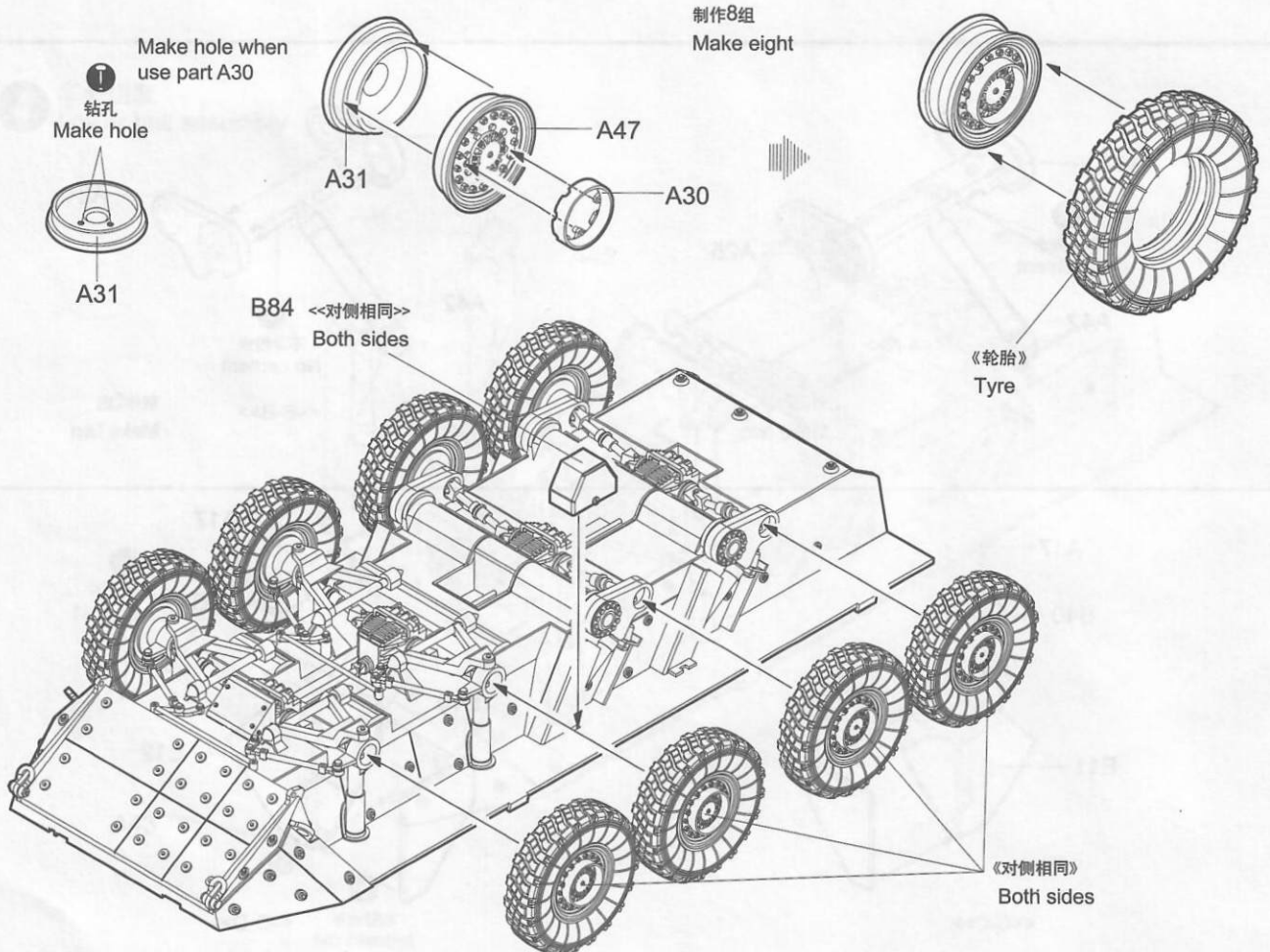


<<D-D>>

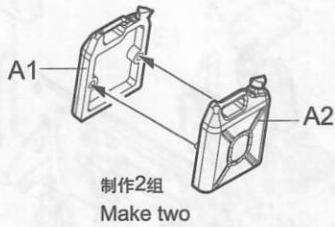
## 6 车底组装 Lower hull assembly



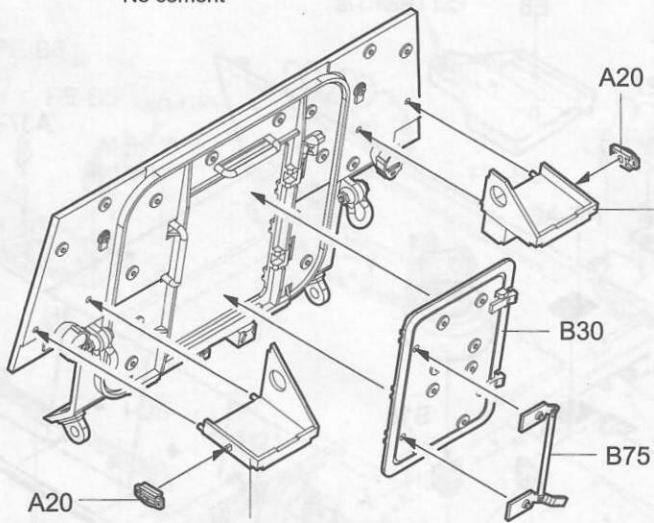
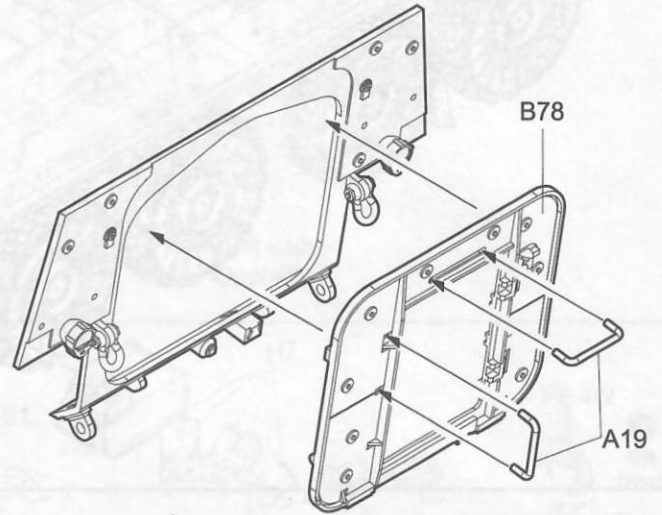
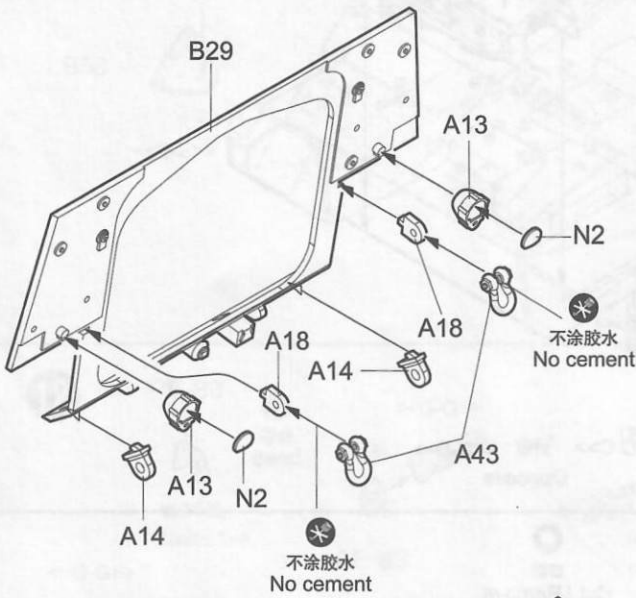
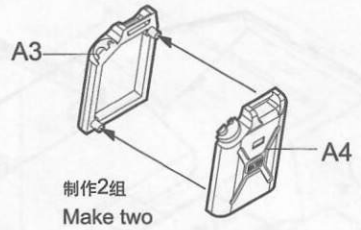
## 7 车轮安装 Wheel installation



<<E-E>>



<<F-F>>



选择  
Option

弯曲  
Bend  
PE-A8

弯曲  
Bend  
PE-A20

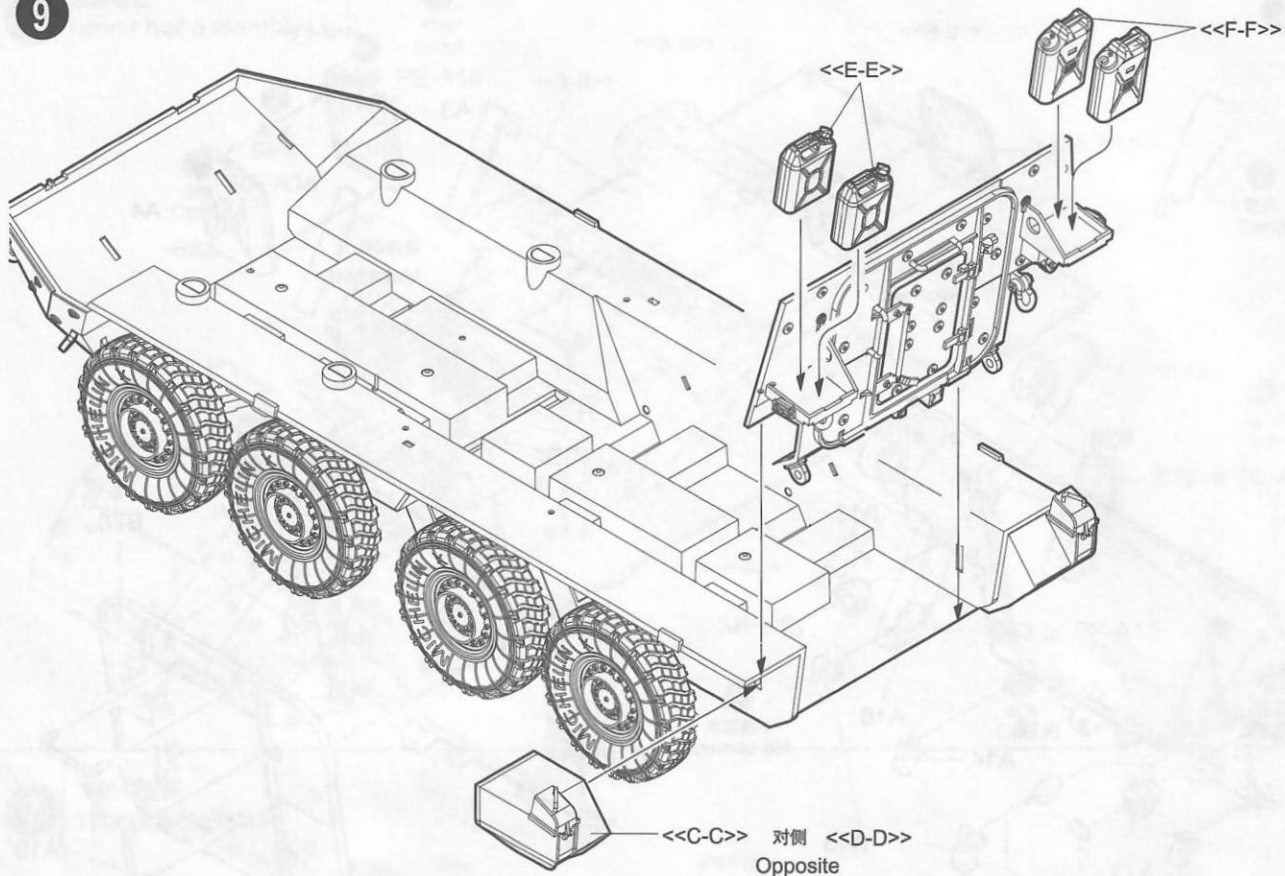
弯曲  
Bend  
PE-A3

选择  
Option

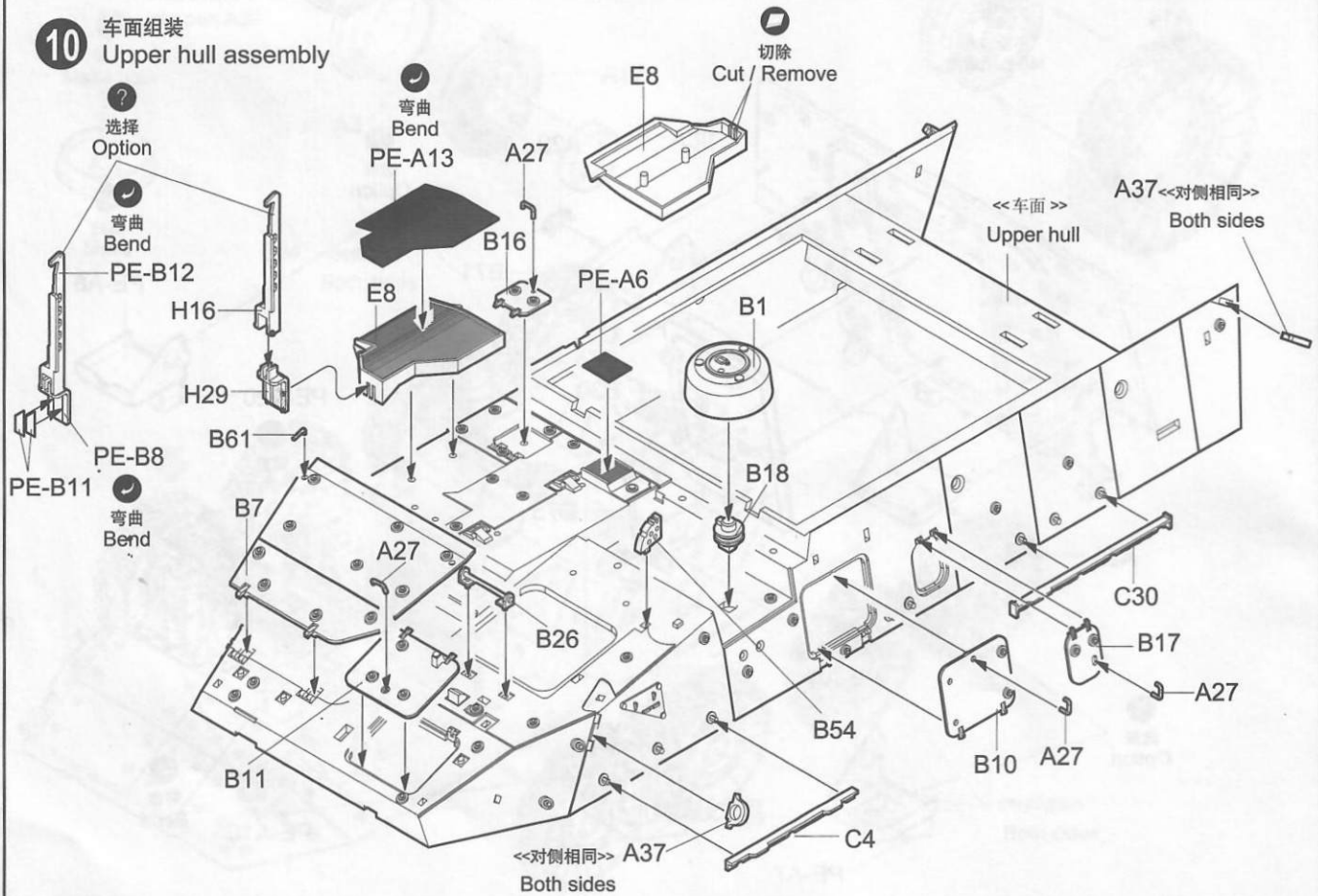
PE-A7

弯曲  
Bend  
PE-A10

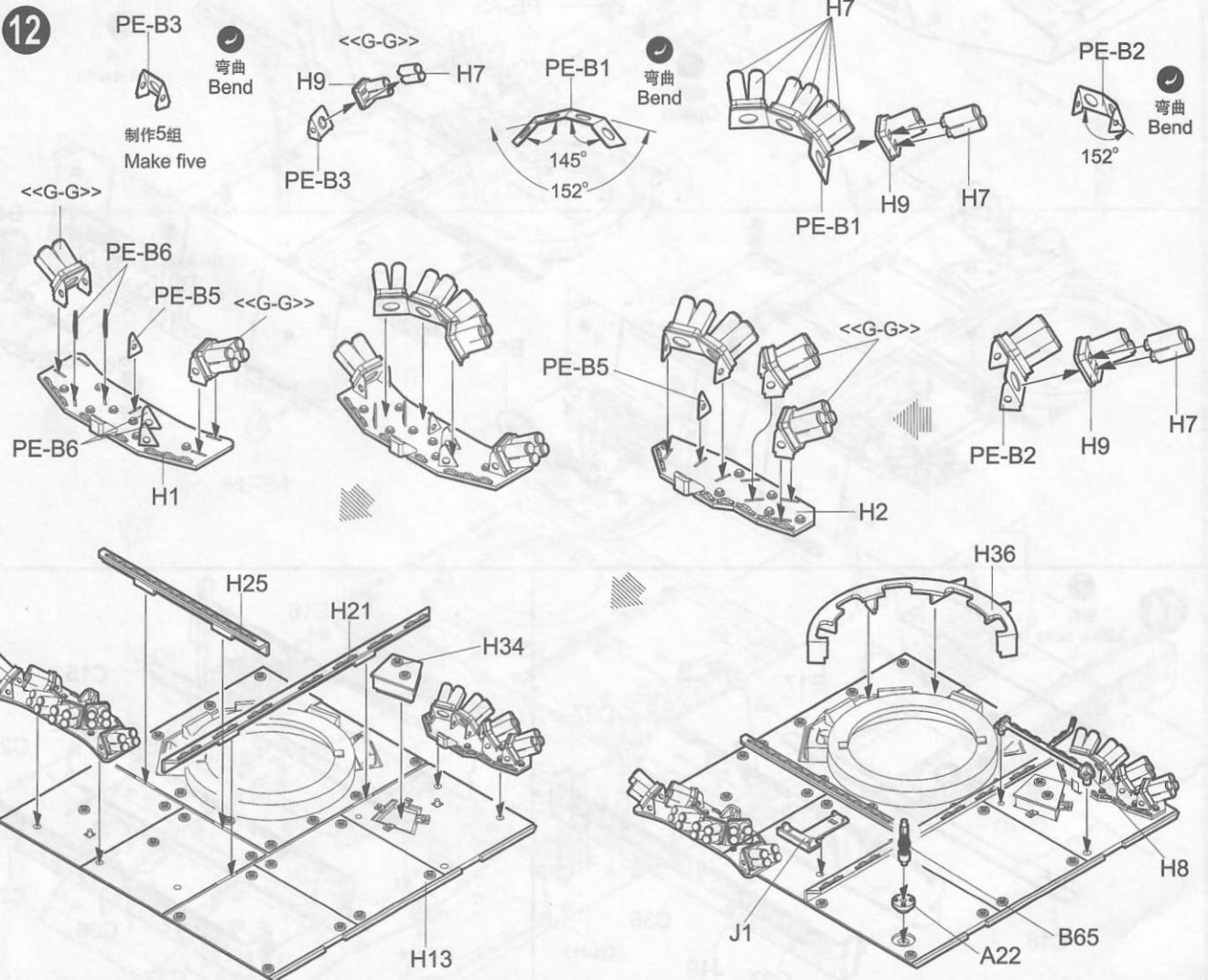
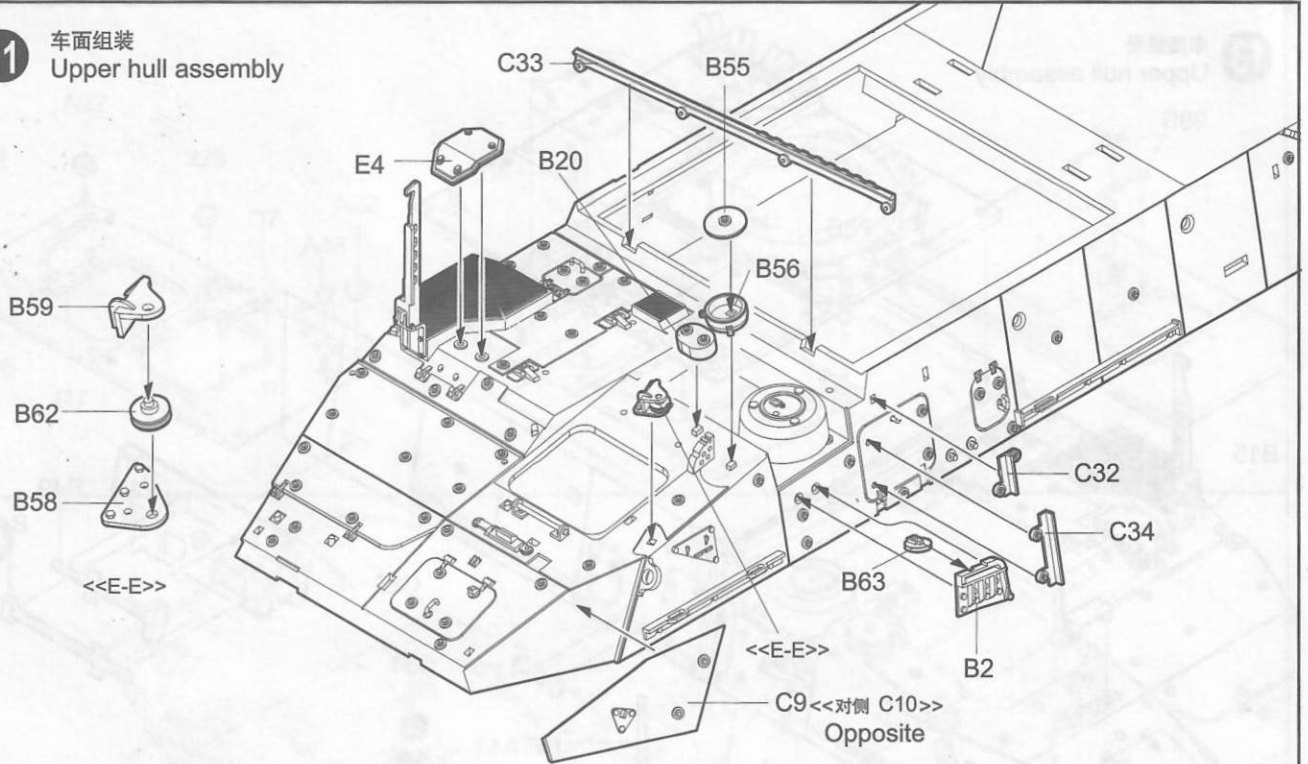
9



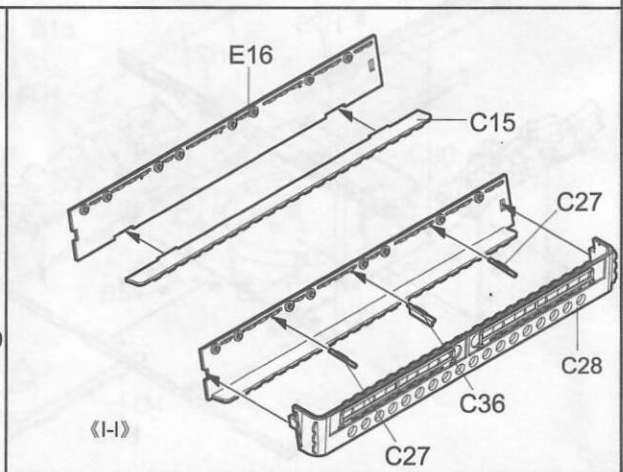
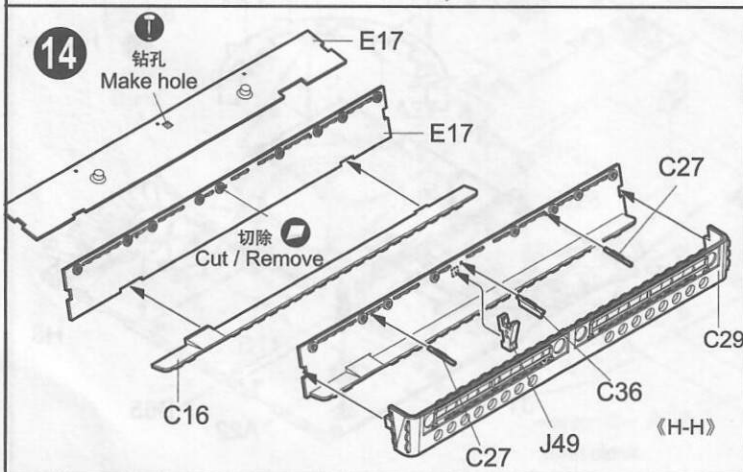
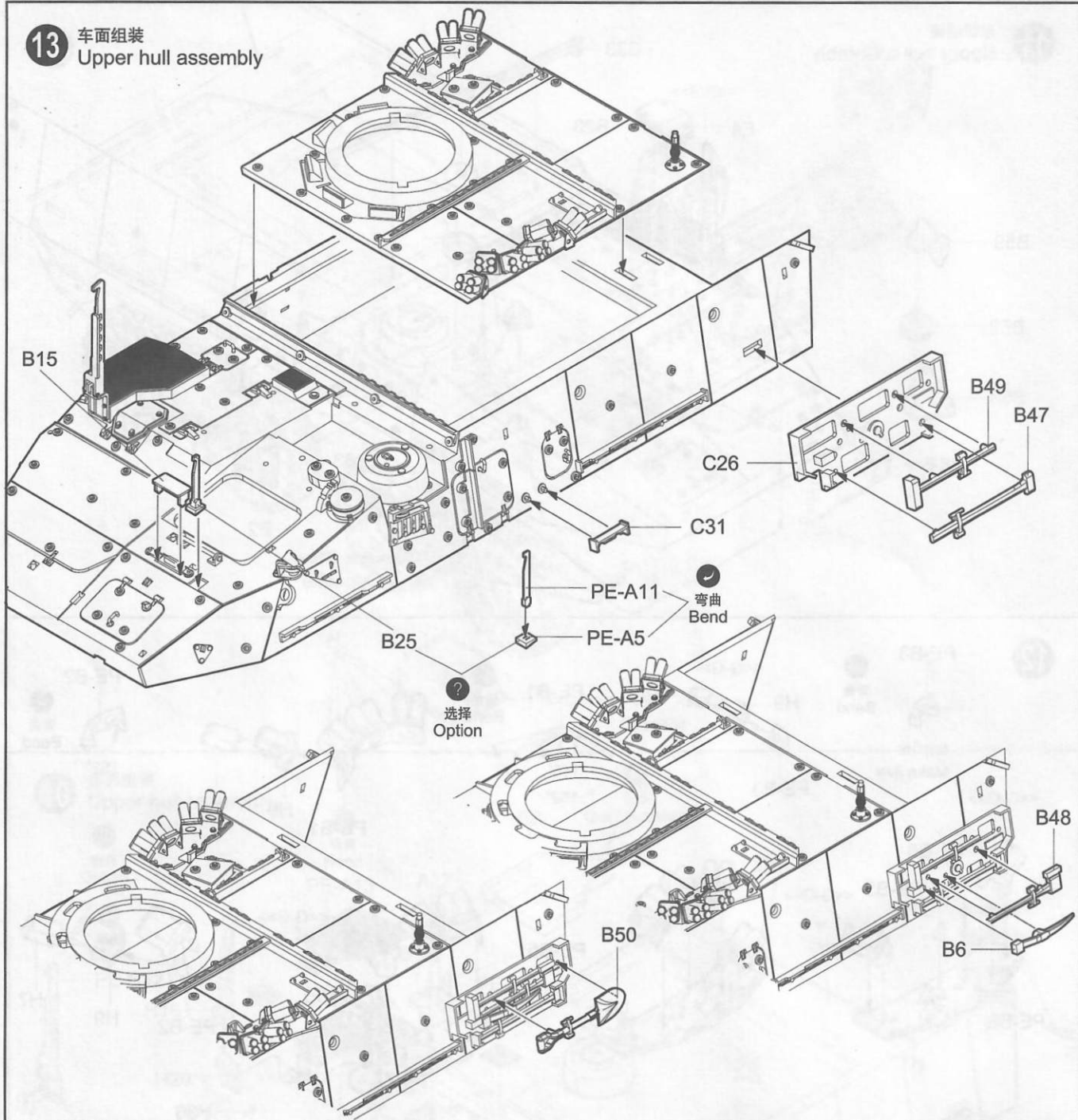
10 车面组装  
Upper hull assembly



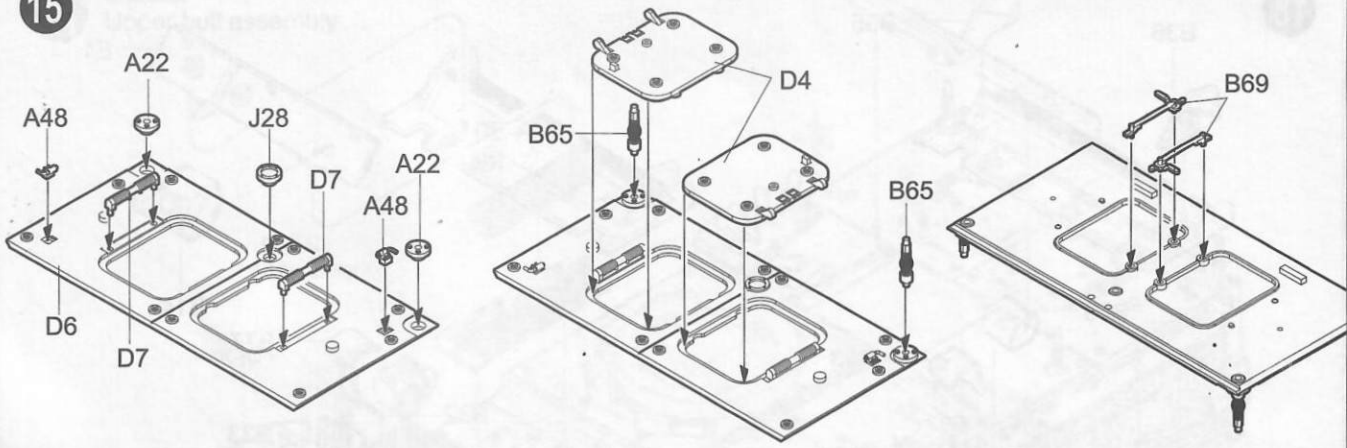
**11** 车面组装  
Upper hull assembly



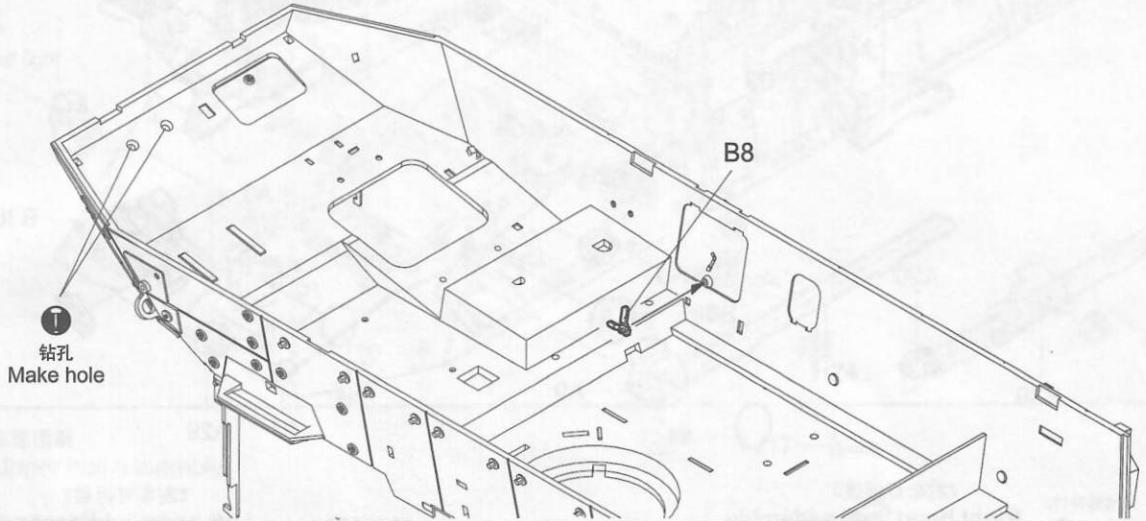
**13** 车面组装  
Upper hull assembly



15

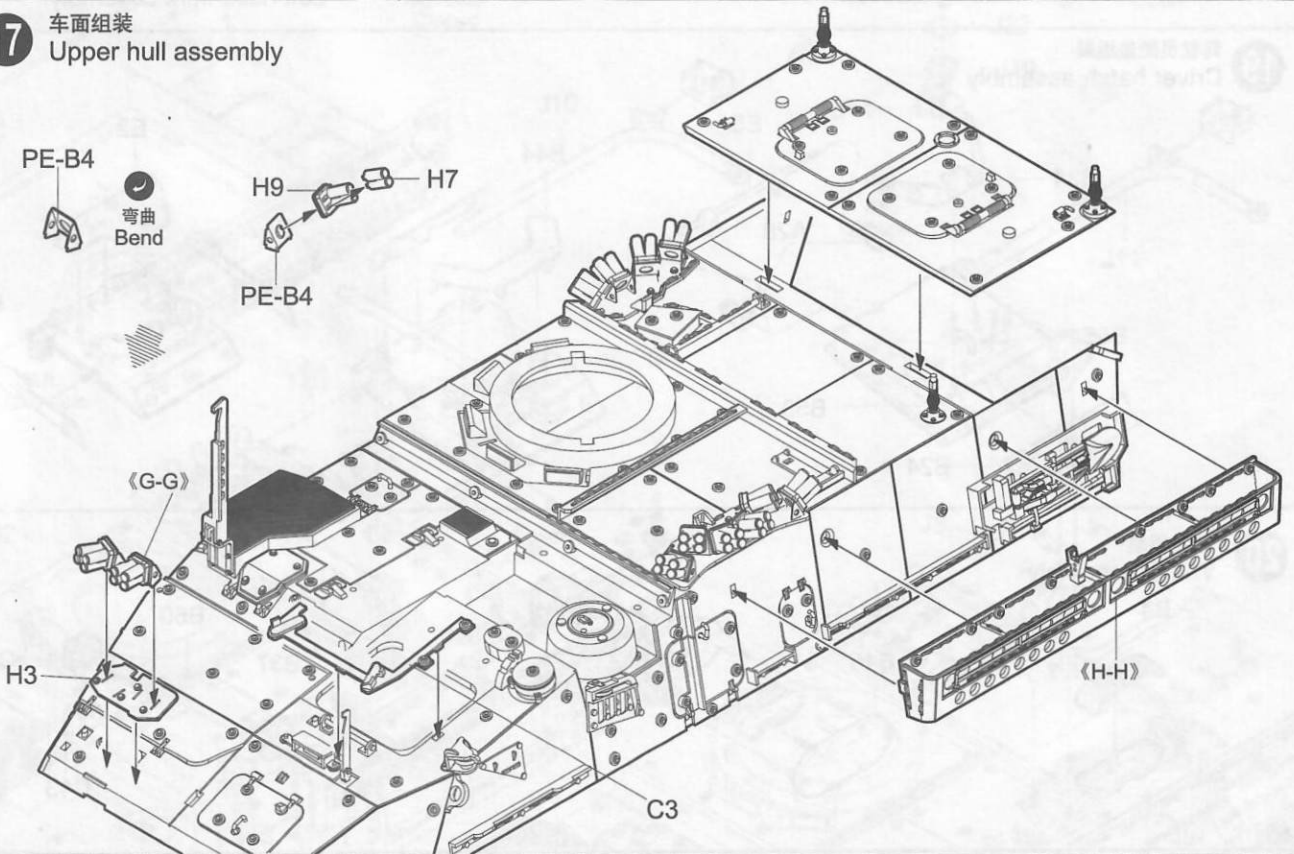


16

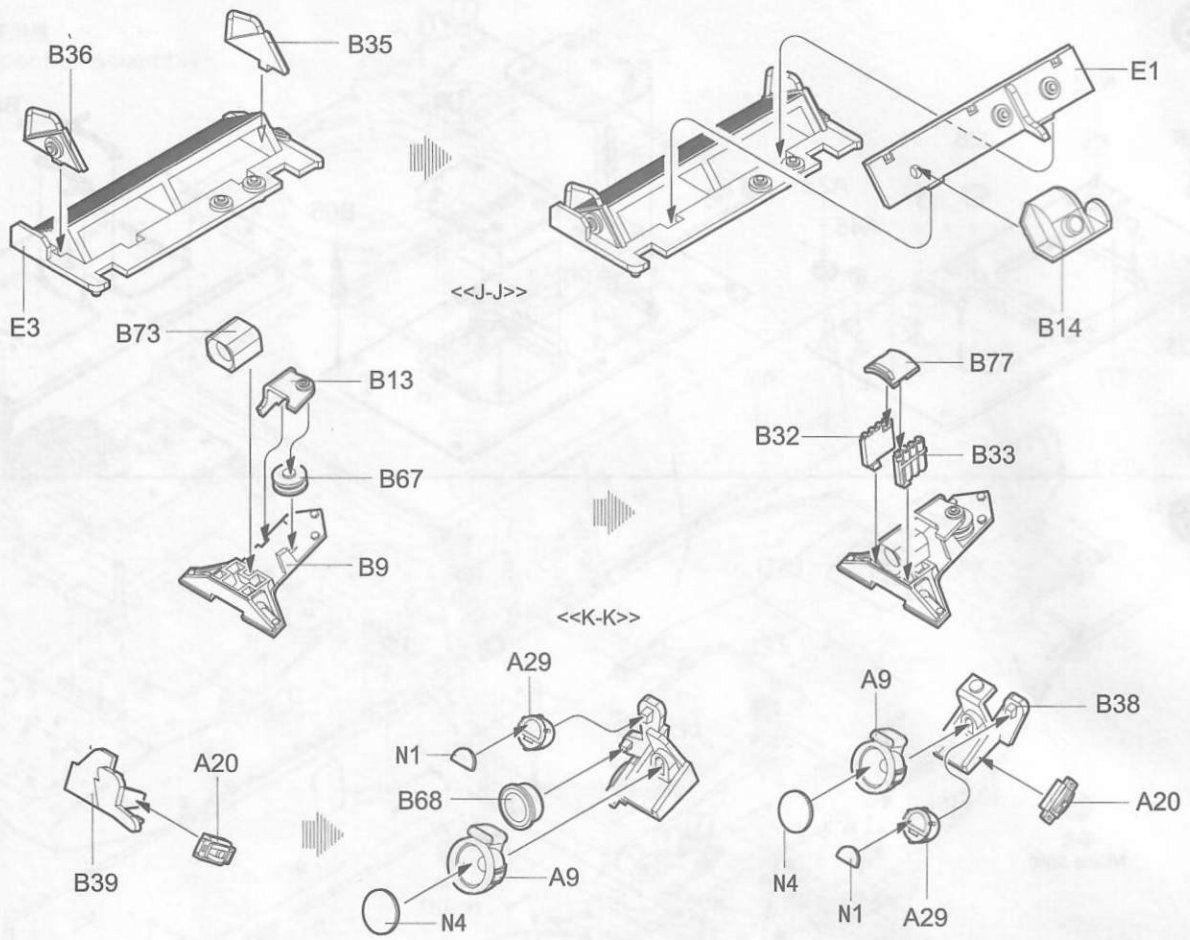


17

车面组装  
Upper hull assembly



18

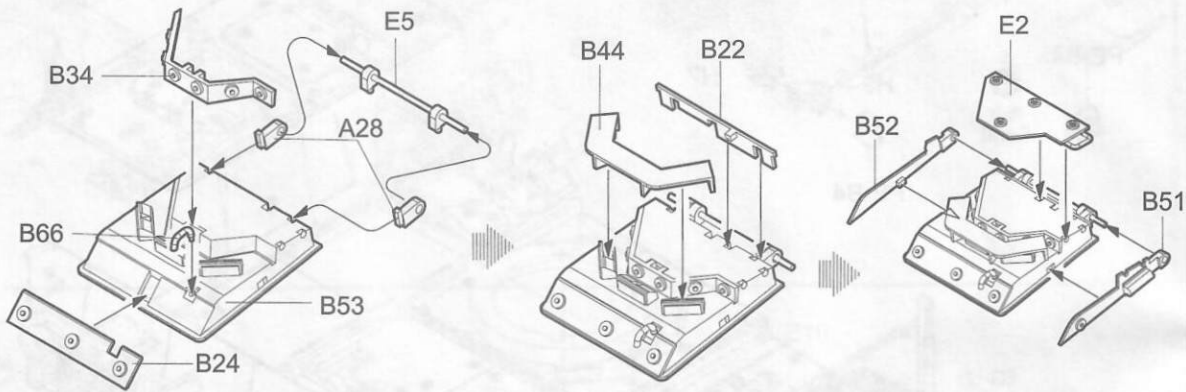


《右车灯组装》  
Right head light assembly

《左车灯组装》  
Left head light assembly

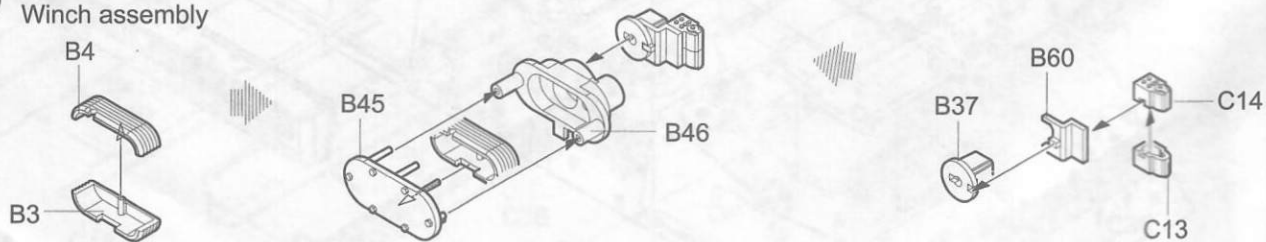
19

驾驶员舱盖组装  
Driver hatch assembly

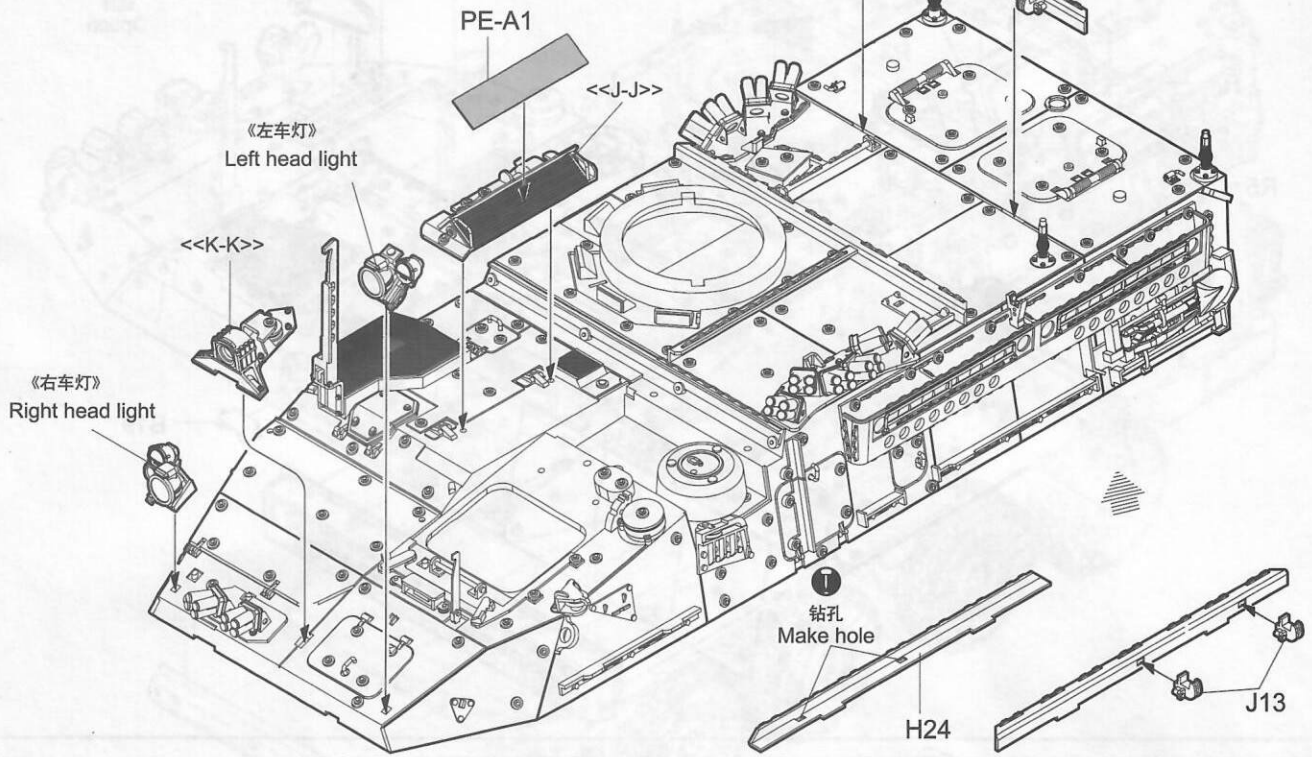


20

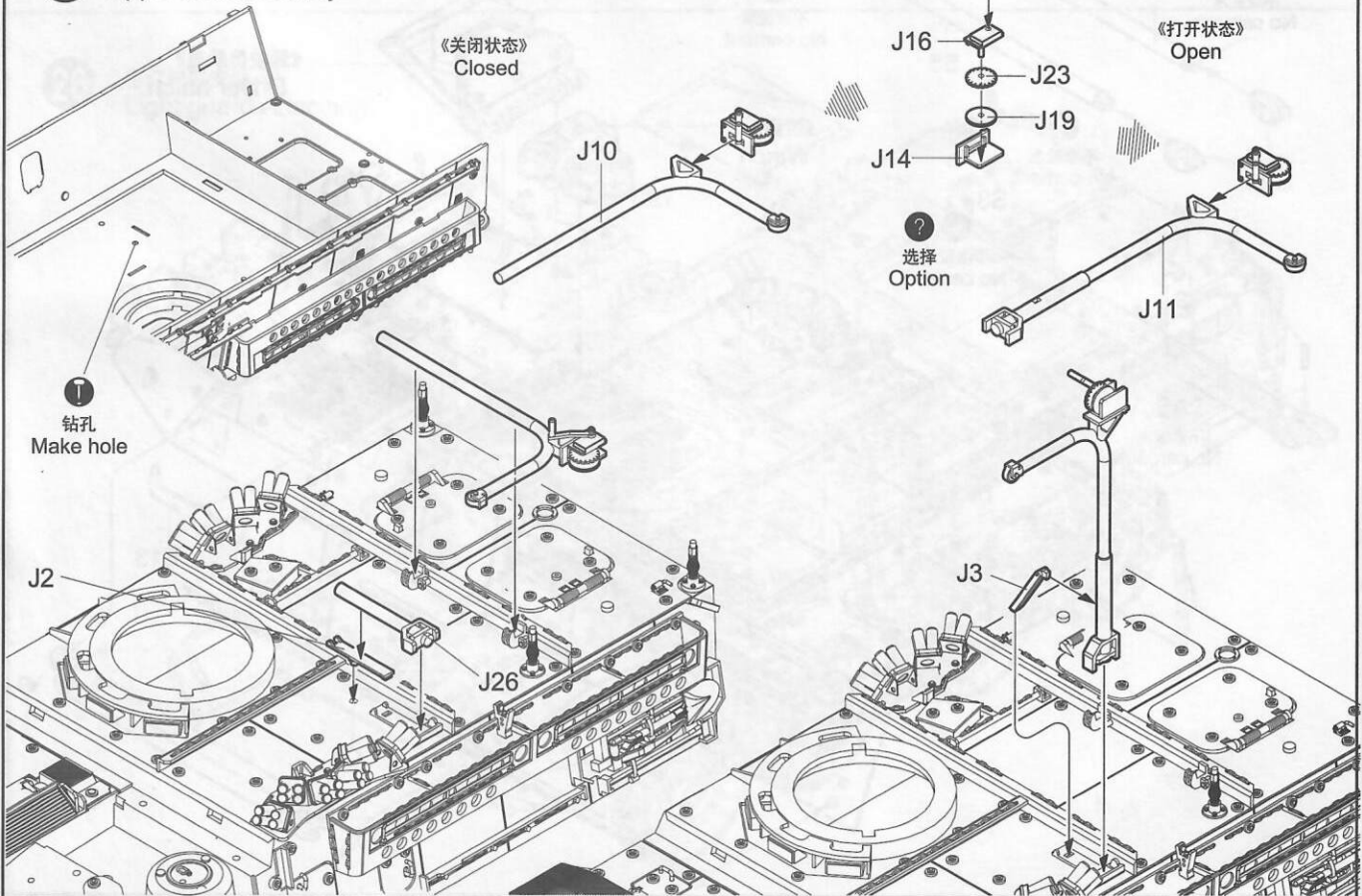
绞盘组装  
Winch assembly



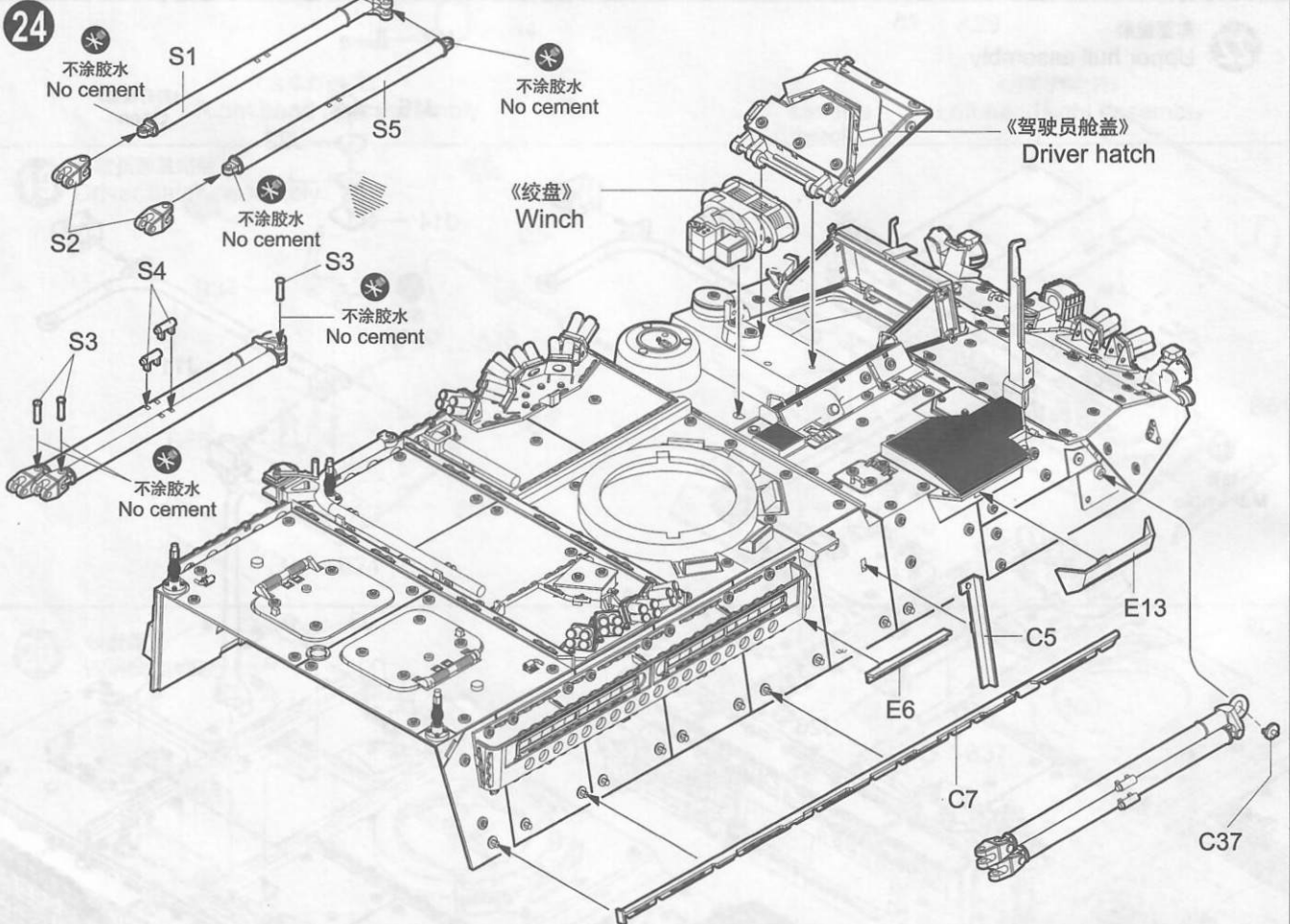
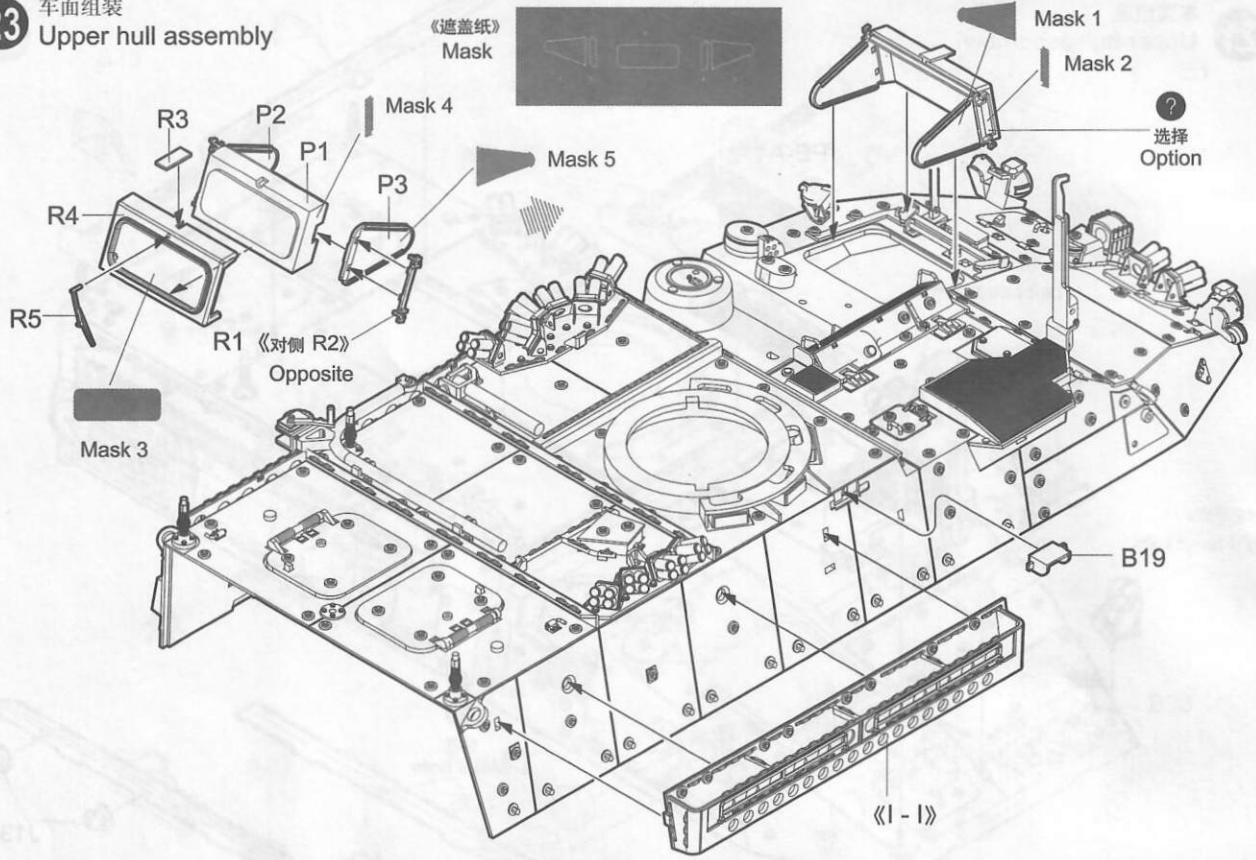
**21** 车面组装  
Upper hull assembly



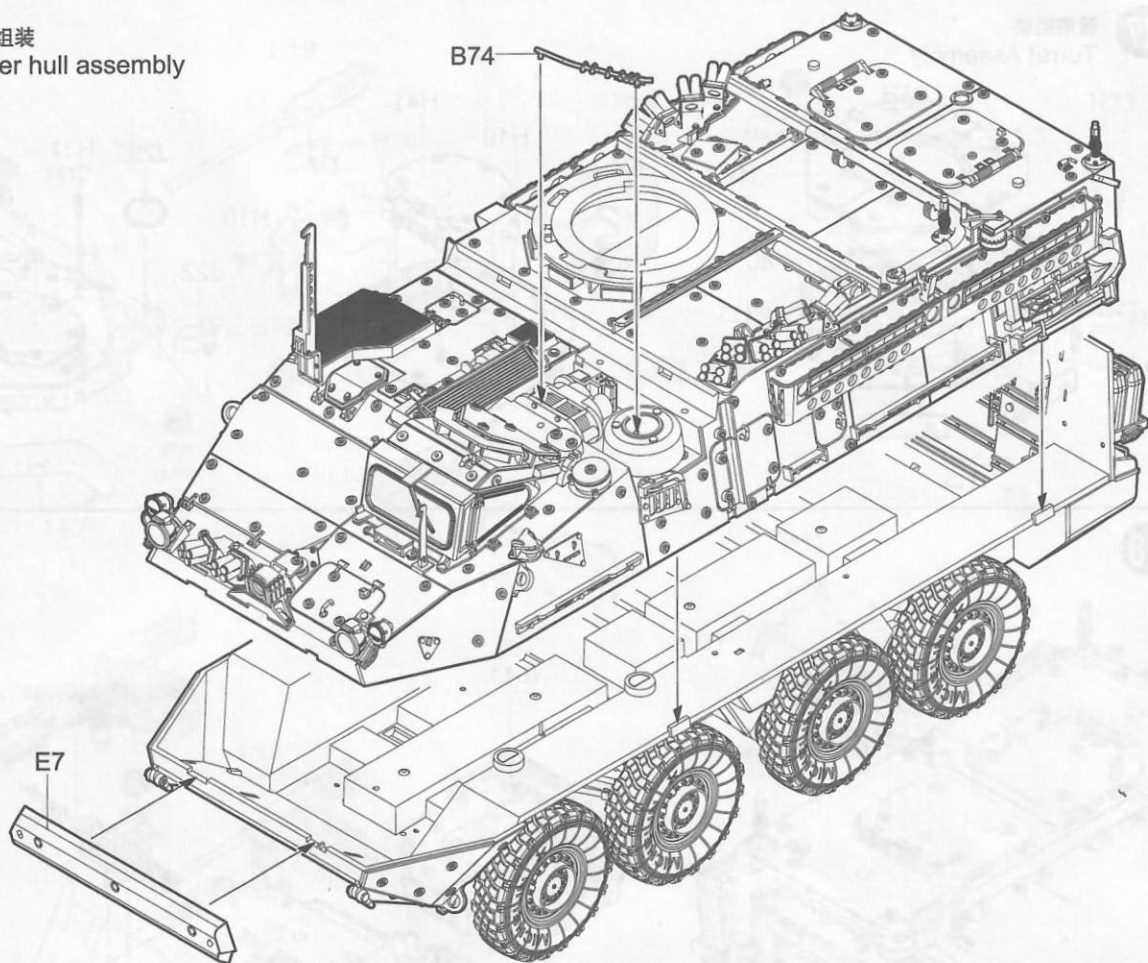
**22** 车面组装  
Upper hull assembly



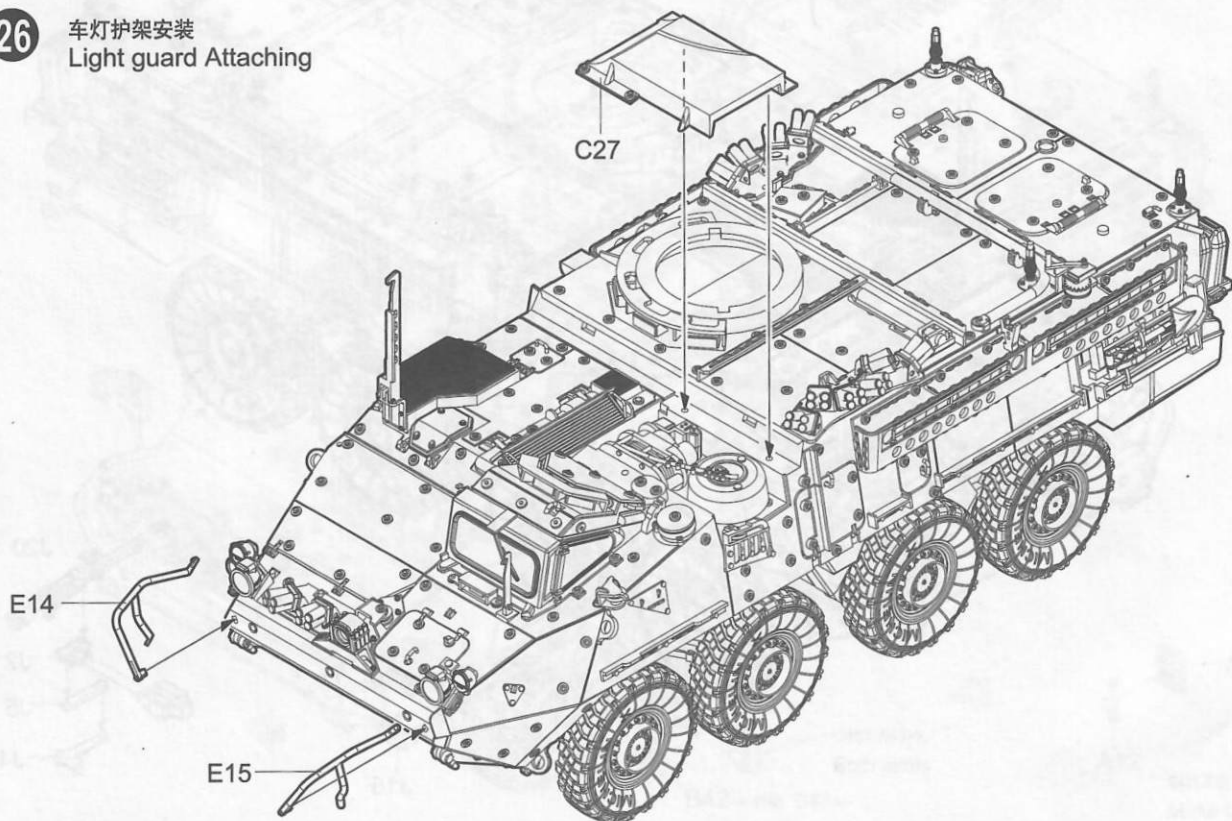
**23** 车面组装  
Upper hull assembly



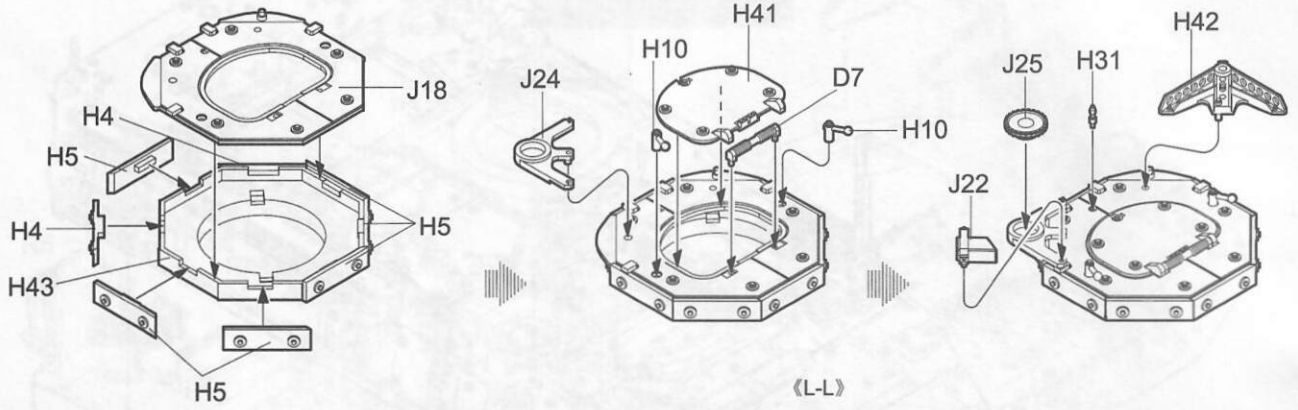
25 车面组装  
Upper hull assembly



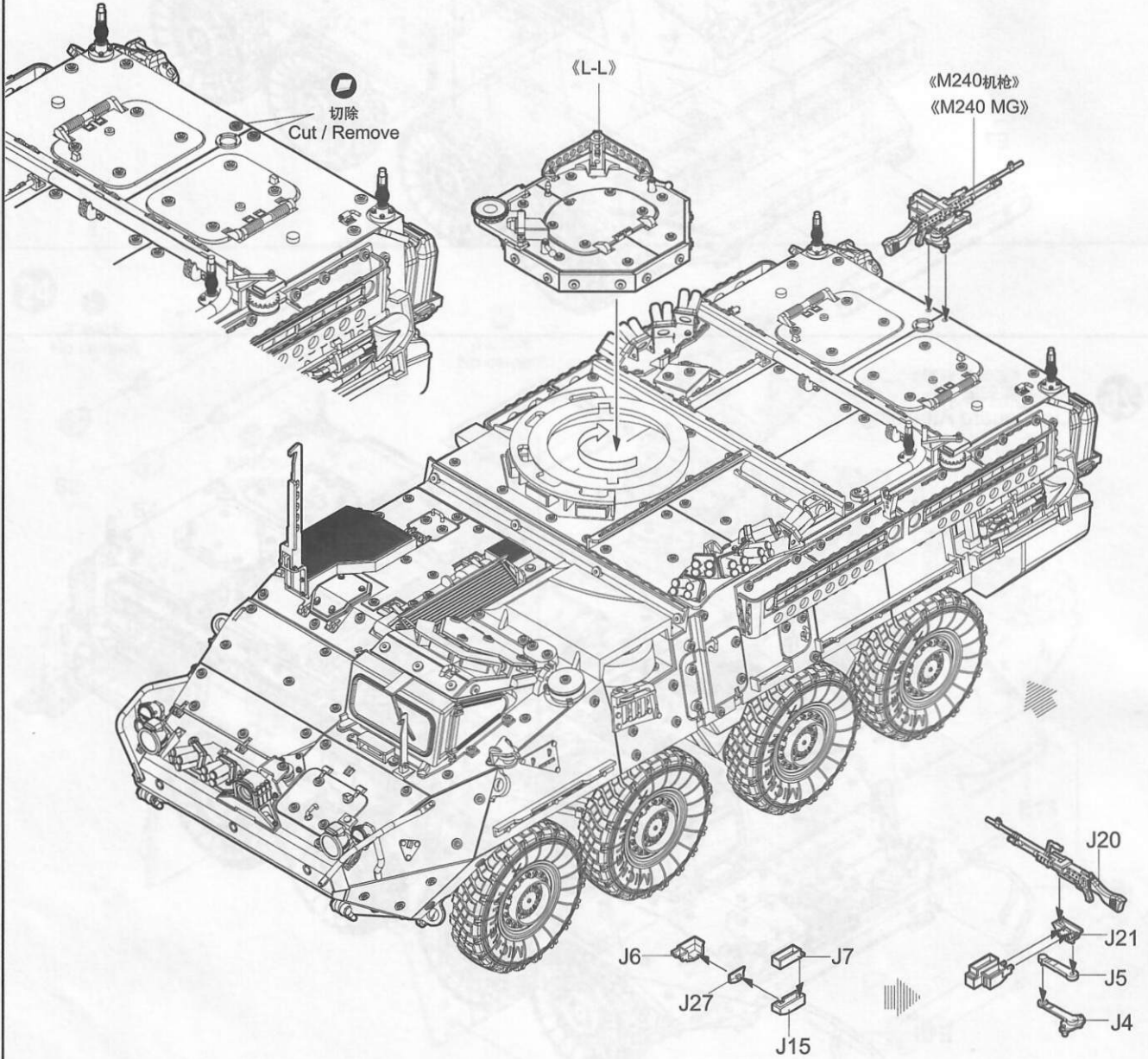
26 车灯护架安装  
Light guard Attaching



**27** 转塔组装  
Turret Assembly



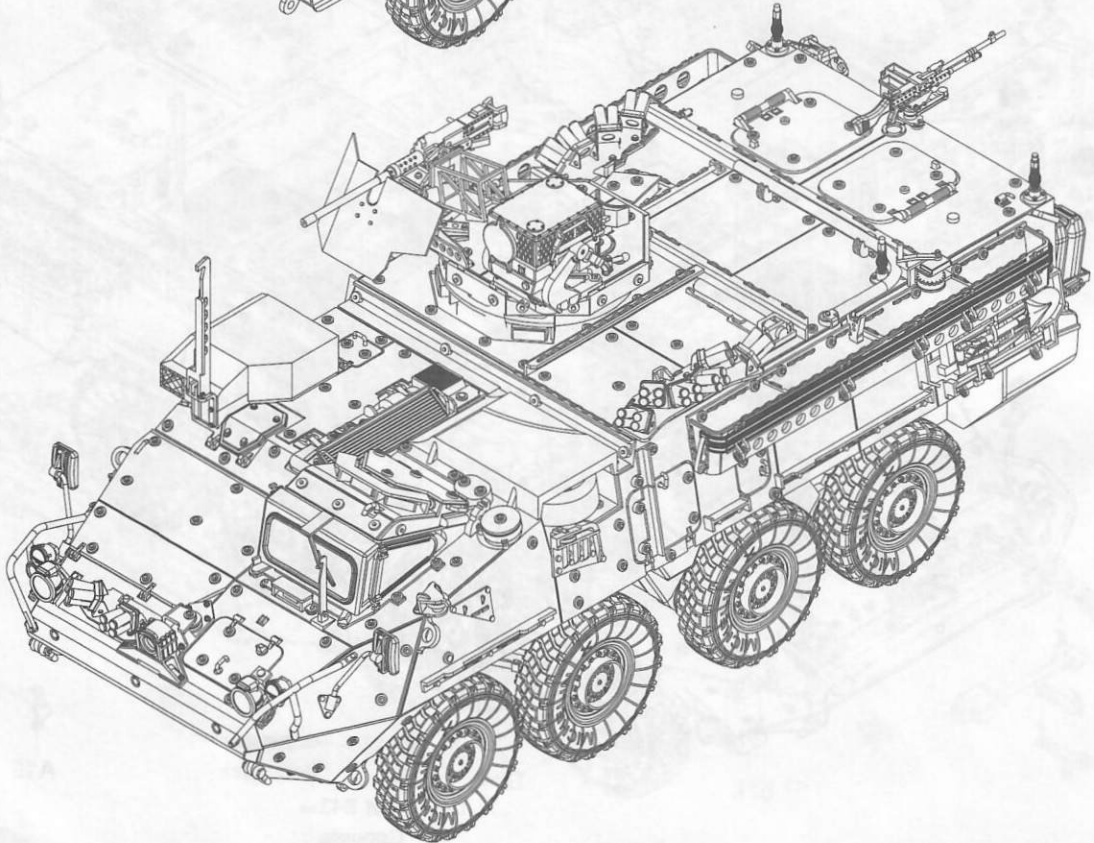
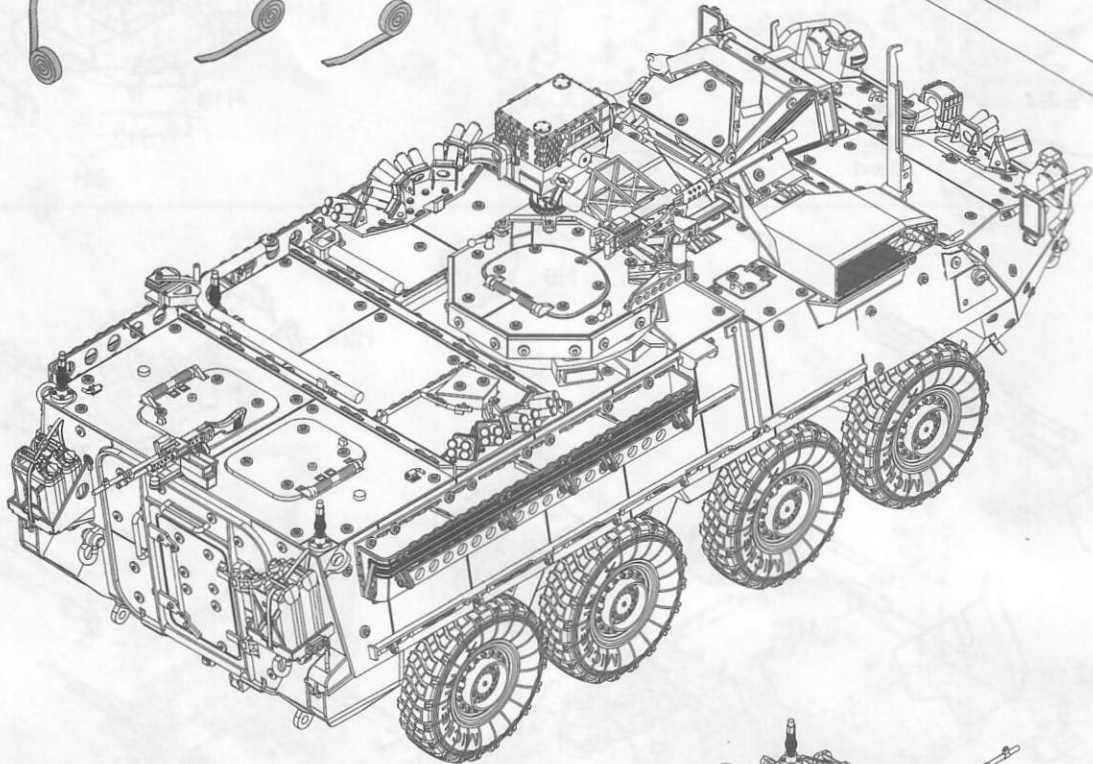
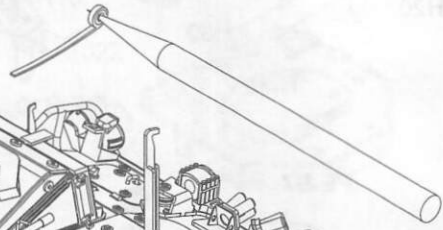
**28**



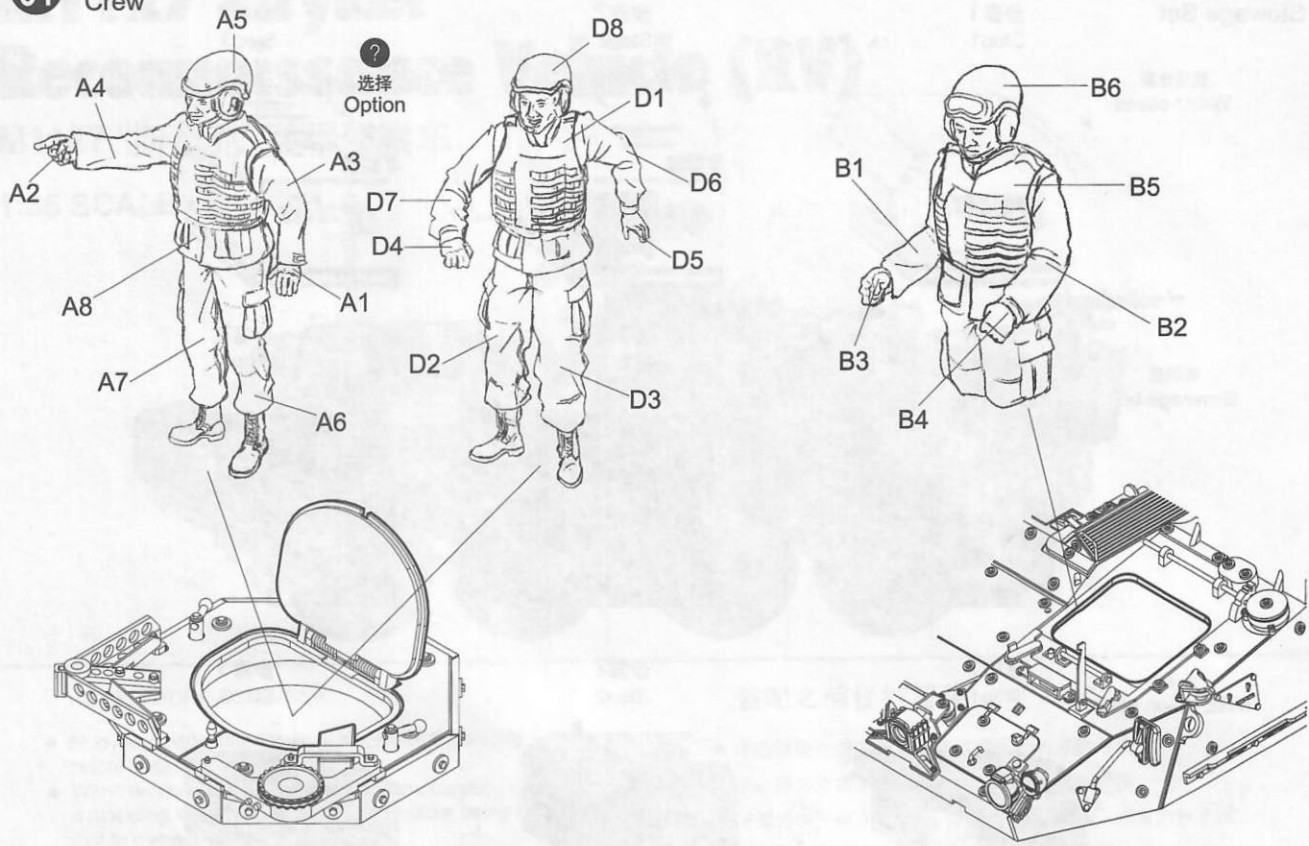


30 捆扎带安装  
How to make the tapes

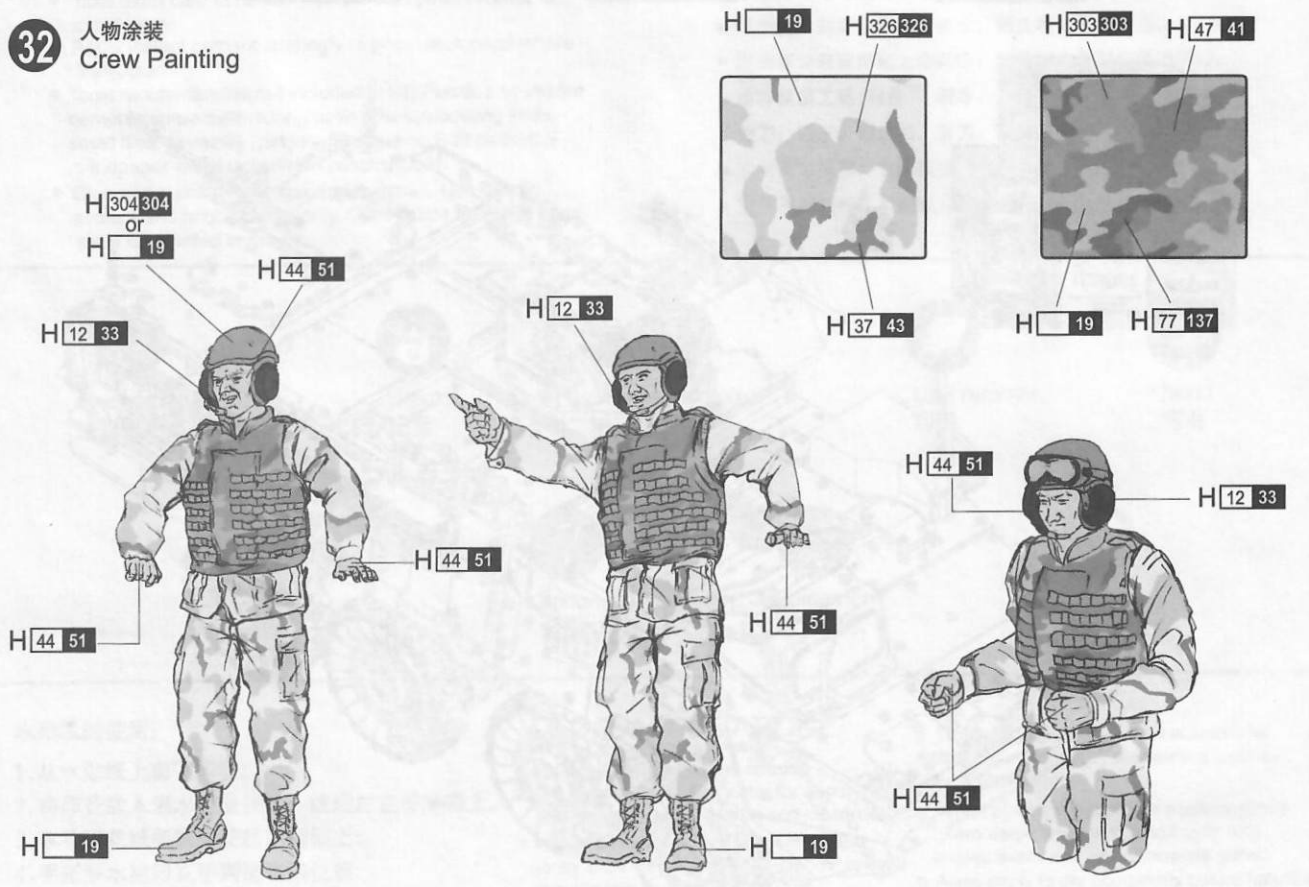
切取适当长度  
Cut Length as required



**31** 人物 Crew

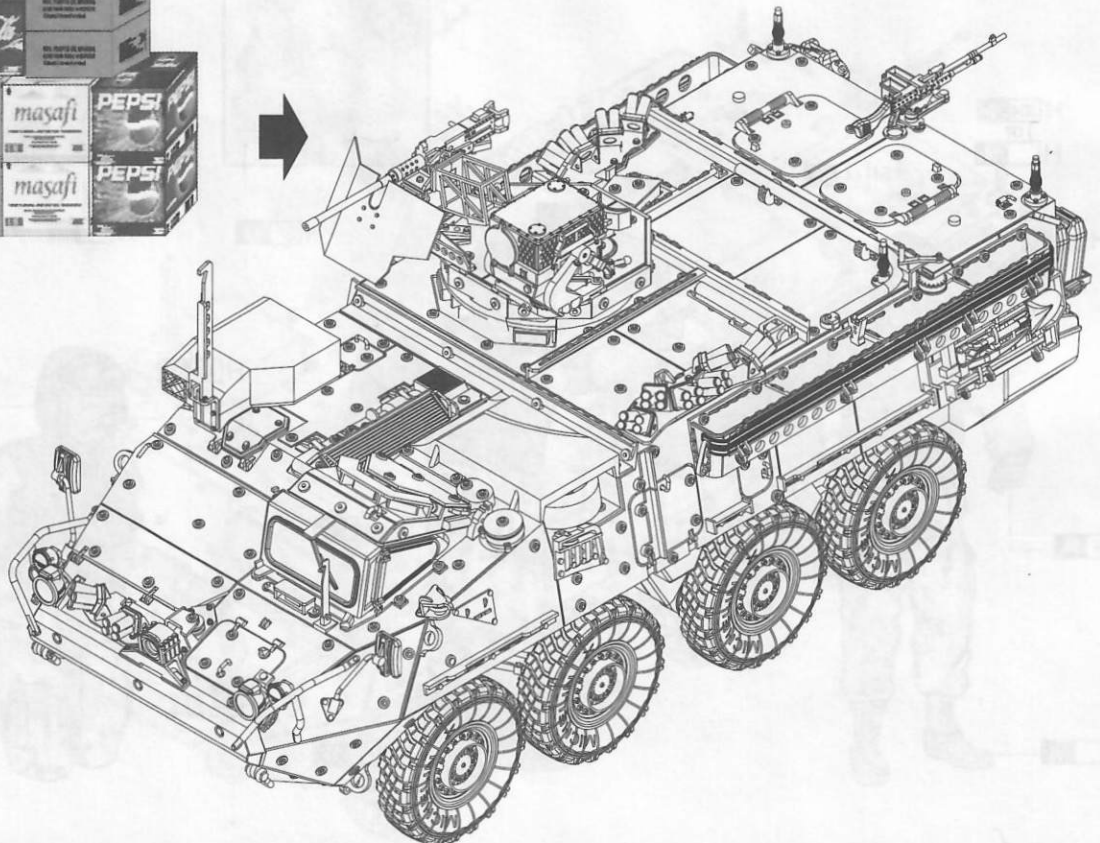
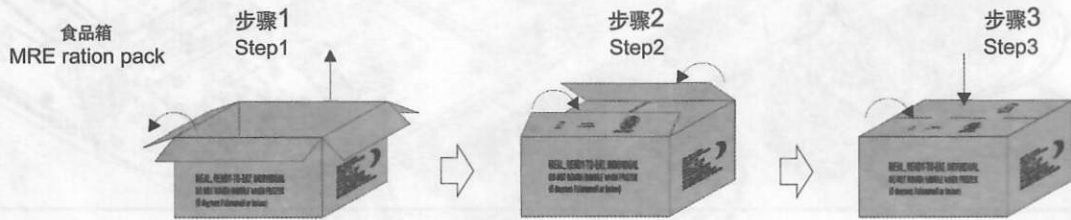


**32** 人物涂装 Crew Painting



附件:

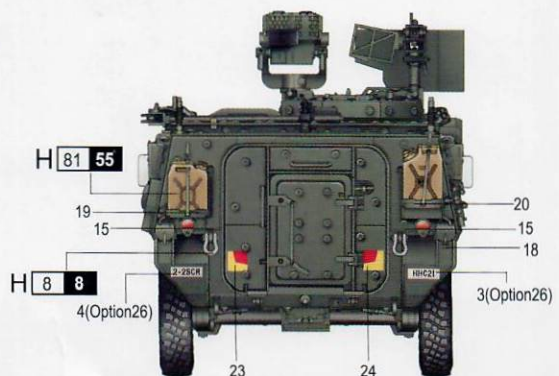
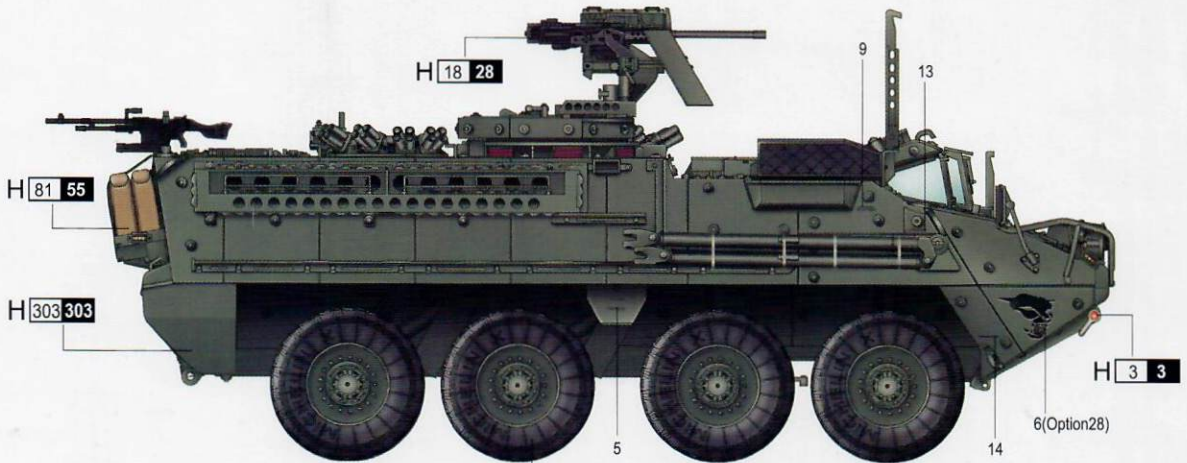
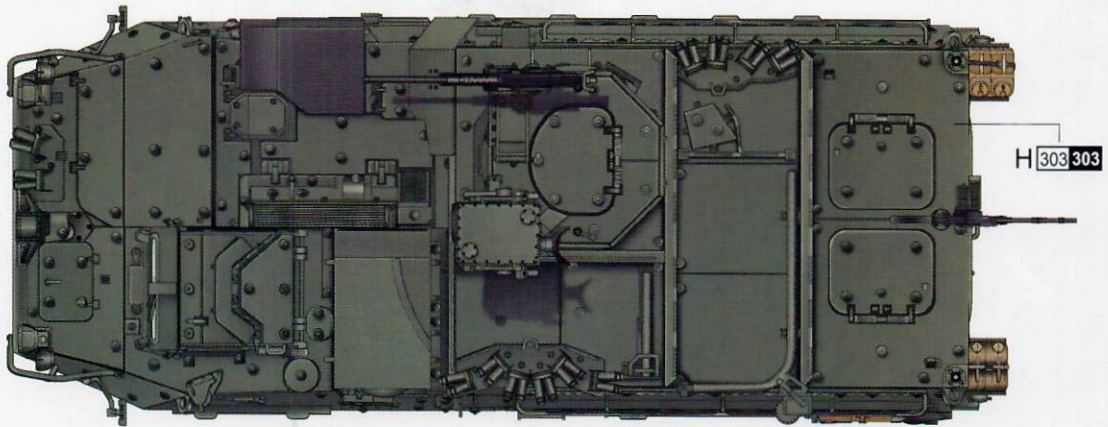
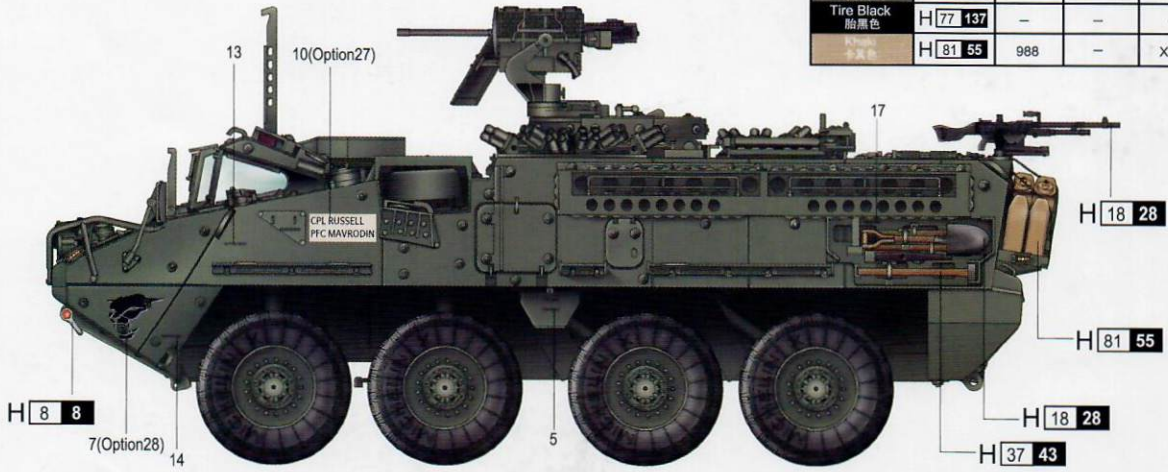
Stowage Set



# 涂装同标贴指示

## Painting & Marking guide

Color	Mr.Hobby	Vallejo	Model Master	Tamiya	Humbrol
Silver 银色	H 8 8	997	1546	X11	11
Metal Black 黑铁色	H 18 28	864	1402	—	—
Wood Brown 木棕色	H 37 43	983	1701	—	186
Red 红色	H 3 3	908	1503	X7	19
Light Green 嫩绿色	H 303 303	—	1713	XF20	117
Tire Black 胎黑色	H 77 137	—	—	—	—
Khaki 卡其色	H 81 55	988	—	XF49	26



H □ AQUEOUS HOBBY COLOR ■ Mr. COLOR