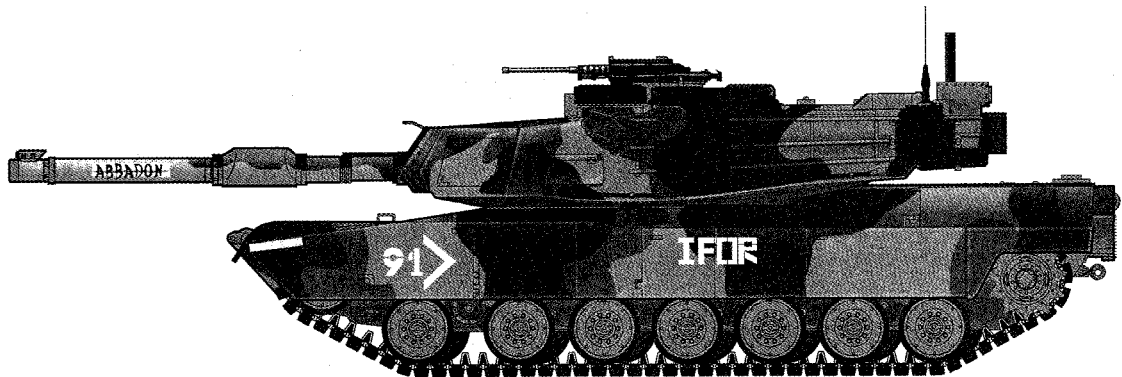


1:35 SCALE

ITEM NO.:01535

M1A1/A2 ABRAMS 5 in 1

美国M1A1/A2艾布拉姆斯主战坦克(5合1)



READ BEFORE ASSEMBLY:

- Study and understand these instructions thoroughly before beginning assembly
- When needed, remove photo-etch parts carefully using a modeling knife or photo etch sprue cutter, being careful not to damage or lose small parts.
- Take extra care in handling photo etch parts in order to avoid injury
- Apply instant cement sparingly to photo etch parts where instructed
- Tools recommended(not included in kit):Plastic and instant cements, sprue cutters,long nose pliers,modeling knife, small files, tweezers, pin vise & scissors. Soft cloth and sandpaper will also assist in construction
- Glue and paint are not included in the kit. Use plastic cement and hobby paints only. Color guide for purchasing paint is included in the kit.

装配之前仔细阅读

- 小心用模型锉刀锉平所有零件表面的注射浇口。
- 小心用刀片切下蚀刻片零件，不要遗失小零件。
- 用强力快干胶水粘合蚀刻片零件和金属轴。过量快干胶水使用可能导致可动零件会粘住，小心涂胶。
- 取蚀刻片时应特别注意安全，防止利边划伤手指。
- 某些零件表面需贴上水贴纸，请选择在装配的同时进行。
- 推荐模型工具(自备)：胶水，水口剪刀，长咀钳，刀片，锉刀，镊子，钳，钻，剪刀，瞬间快干胶。
- 软布同砂纸同时也应该是必备工具。
- 请使用塑料胶水和油漆，模型内不含。



配重
Weight



使用强力胶
Cyanoacrylate glue



钻孔
Make hole



切除
Cut / Remove



贴纸
Decal



锉平
File / Sand



选择
Option



不涂胶水
No cement



弯曲
Bend

水贴纸的使用:

- 1.从水贴上剪下印花;
- 2.将印花放入温水中浸10秒，然后放在干净布上。
- 3.拿着印花纸板将印花移到模型上;
- 4.手指蘸水将印花移到适当的位置;
- 5.用软布轻压印花直至水干，气泡消失

DECAL APPLICATION

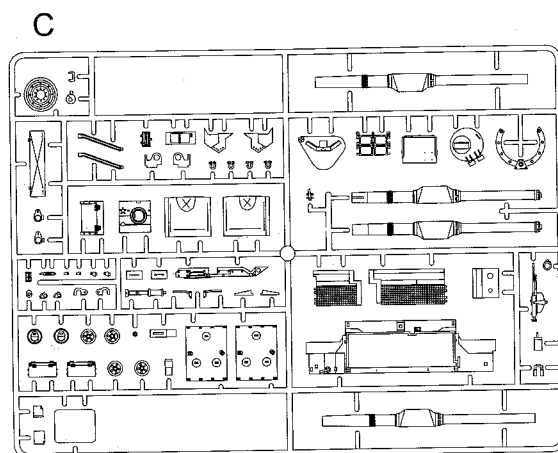
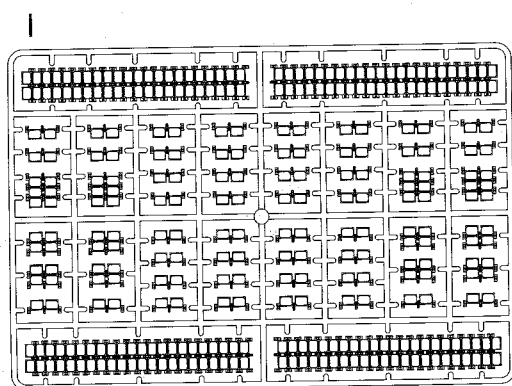
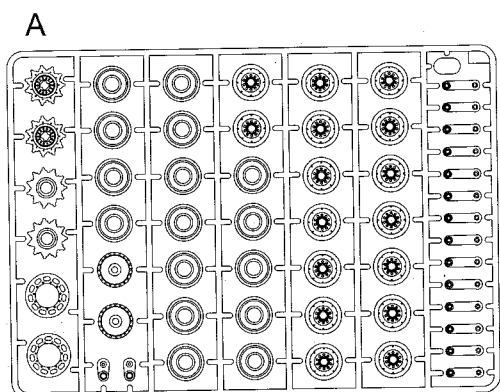
- 1.Cut decals from sheet as needed
- 2.Dip the decal in warm water for about 10 seconds and then place on soft clean cloth.
- 3.Hold the decal backing sheet edge and gently slide the decal onto the model in its proper position.
- 4.While still wet,decal can be adjusted for better fit on model by dampening it gently with your finger.
- 5.When placed in the proper position,gently press decal down with a soft cloth until excess water and air bubbles are gone.
- 6.Allow decal to dry completely before handling model

本模型可制作下面型号其中一个：

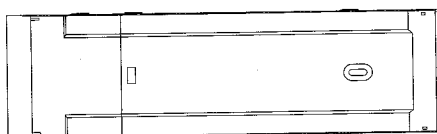
Either of the five models can be select to assembly:

- Ⓐ 美国M1A1HA坦克
M1A1HA
- Ⓑ 美国M1A2
M1A2
- Ⓒ 美国M1A1HA带扫雷辊
M1A1HA w/Mine roller
- Ⓓ 美国M1A1HA带TWMP扫雷犁
M1A1HA w/Twmp
- Ⓔ 美国M1黑豹II型坦克
M1 Panther II

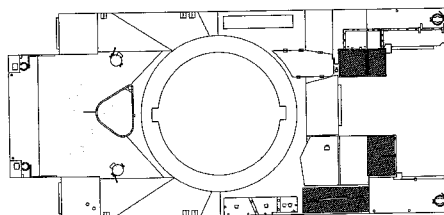
部品图
Parts



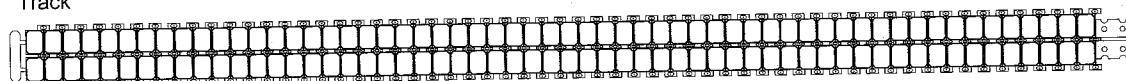
<<车底>>
Lower hull



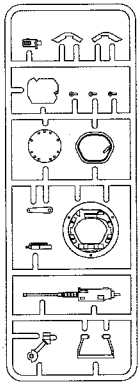
<<车面>>
Upper hull



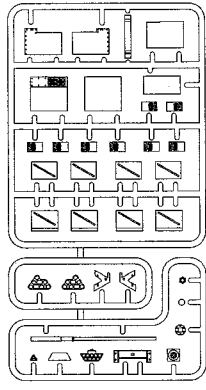
<<履带>>
Track × 2



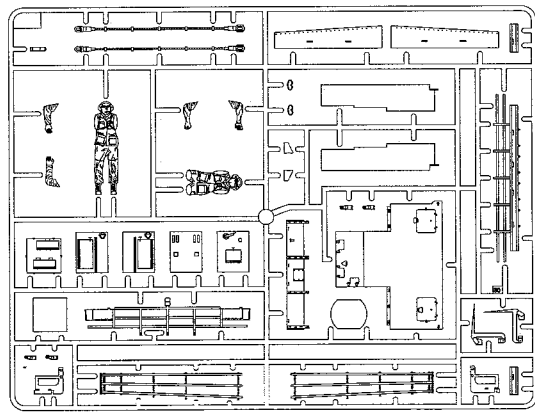
F1



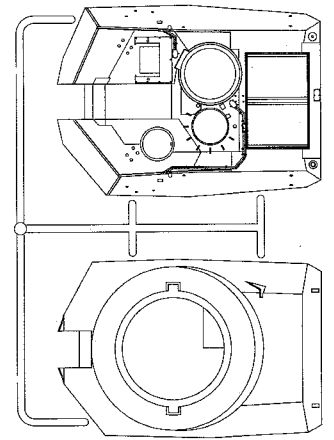
F2



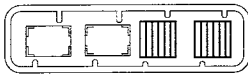
D



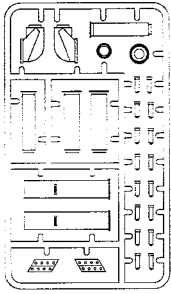
<<炮塔>>
Turret



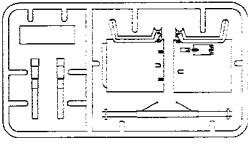
F3



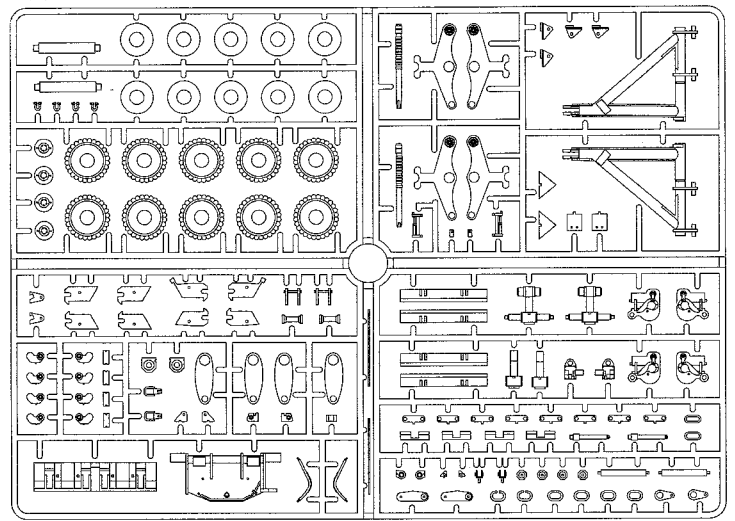
F4



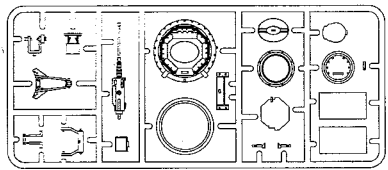
F5



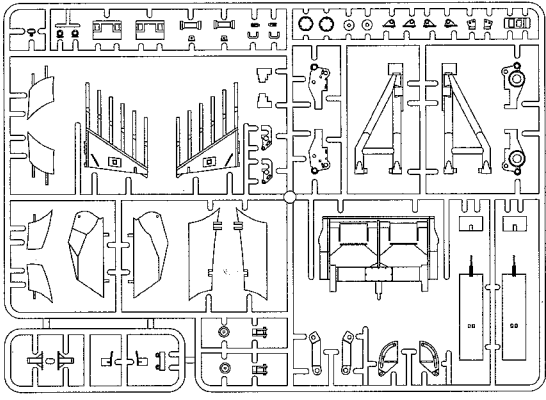
H



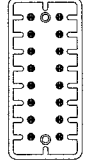
F6



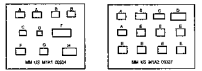
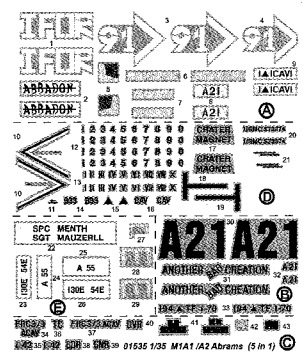
E



G



<<贴纸>>
Decal



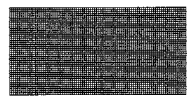
<<透明件>>
Transparent parts

<<铜丝>> ϕ 0.4mmX500
Brass wire

<<软管>> ϕ 0.8mmX1.3X140
Vinyl tubing

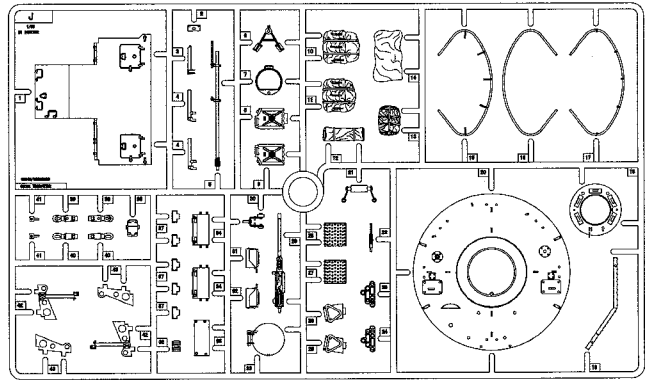
<<链>> ϕ 1.0mmX500
Chain

<<棉绳>> ϕ 1.0mmX250
Thread

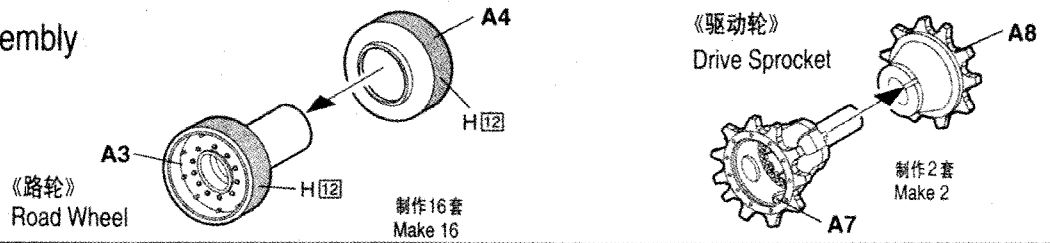


<<丝网>>
Mesh

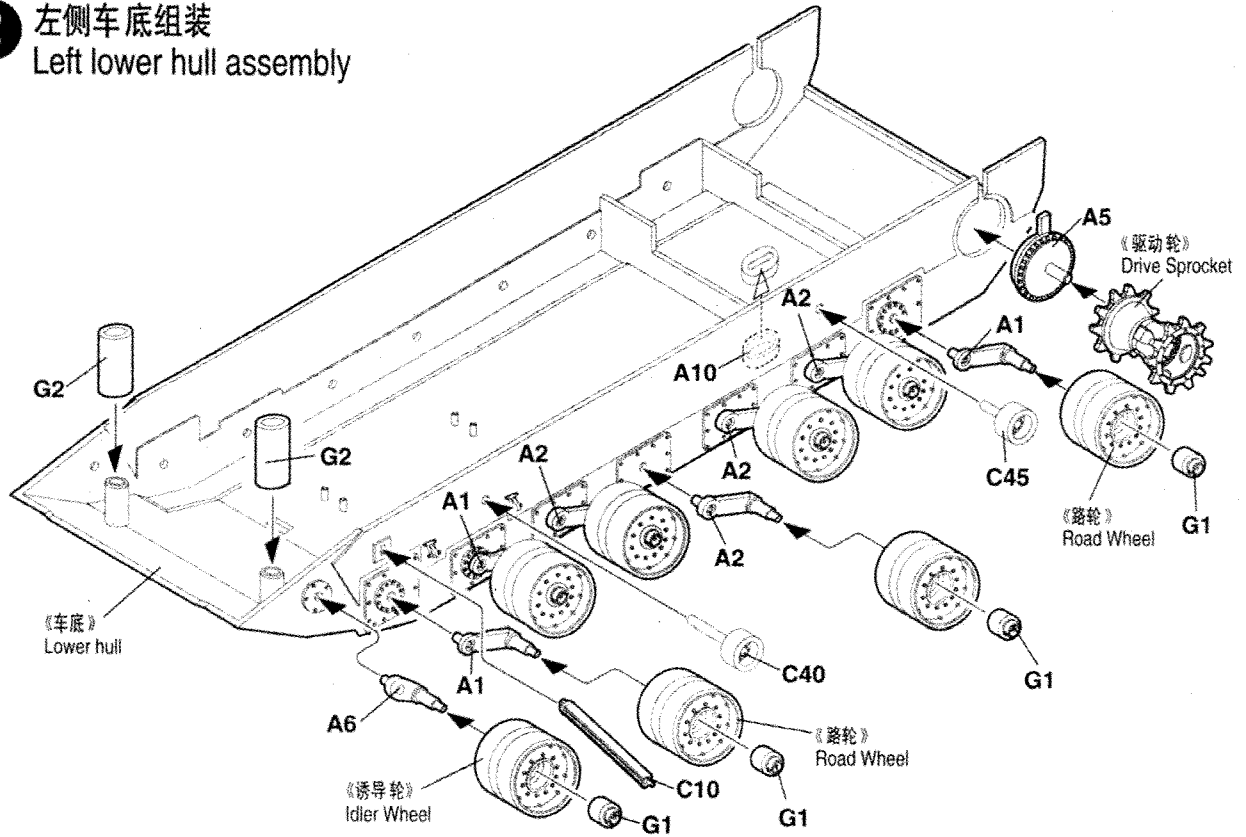
J



1 车轮组装
Wheel assembly



2 左侧车底组装
Left lower hull assembly

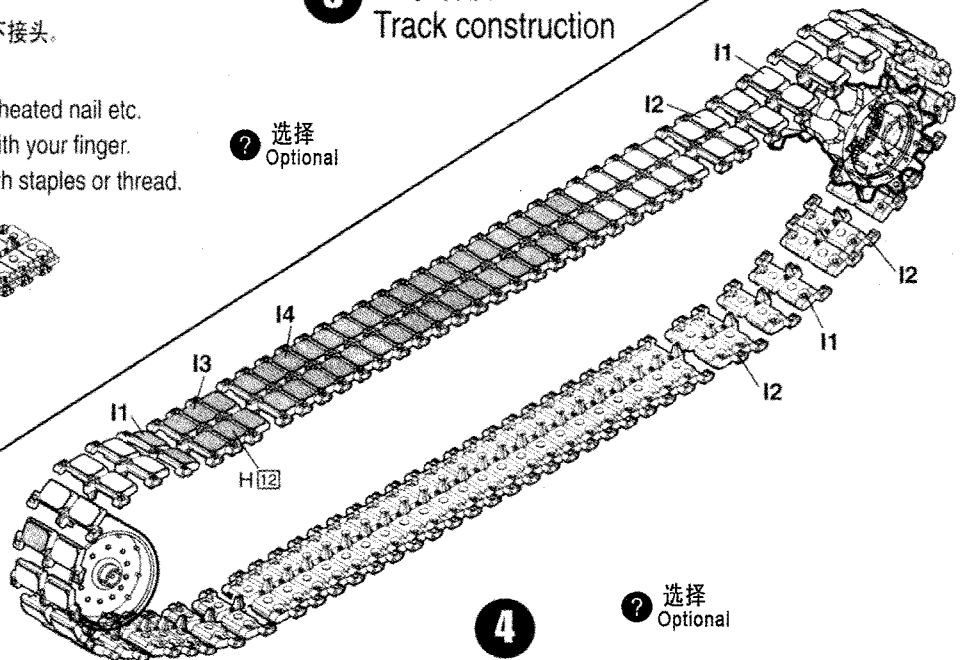
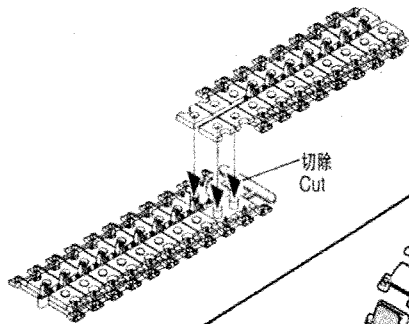


根据实际要求选择履带尺寸。
用热铁钉软化接头，用手指压下接头。
若履带断裂，用细丝线固定。

Melt pin heads carefully with a heated nail etc.
Immediately press pin heads with your finger.
If track is broken strengthen with staples or thread.

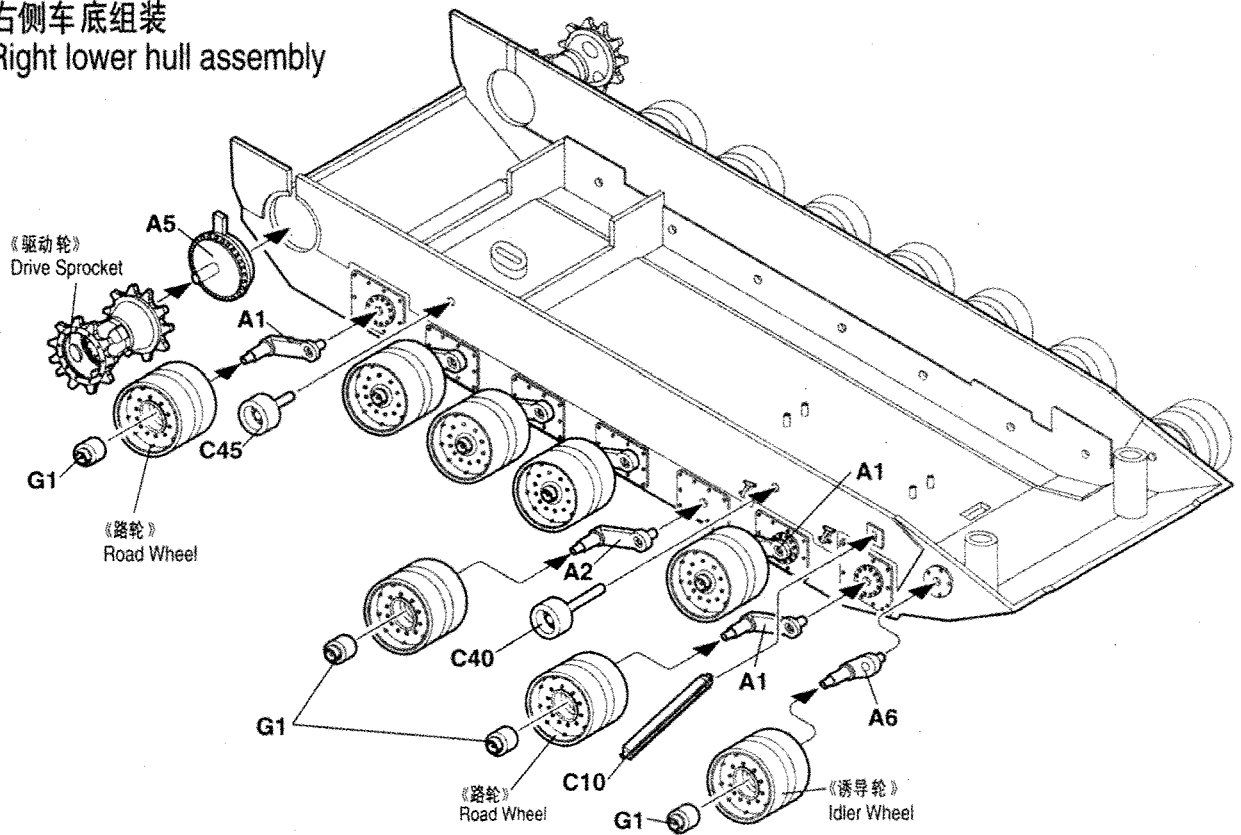
3 履带联接
Track construction

② 选择
Optional

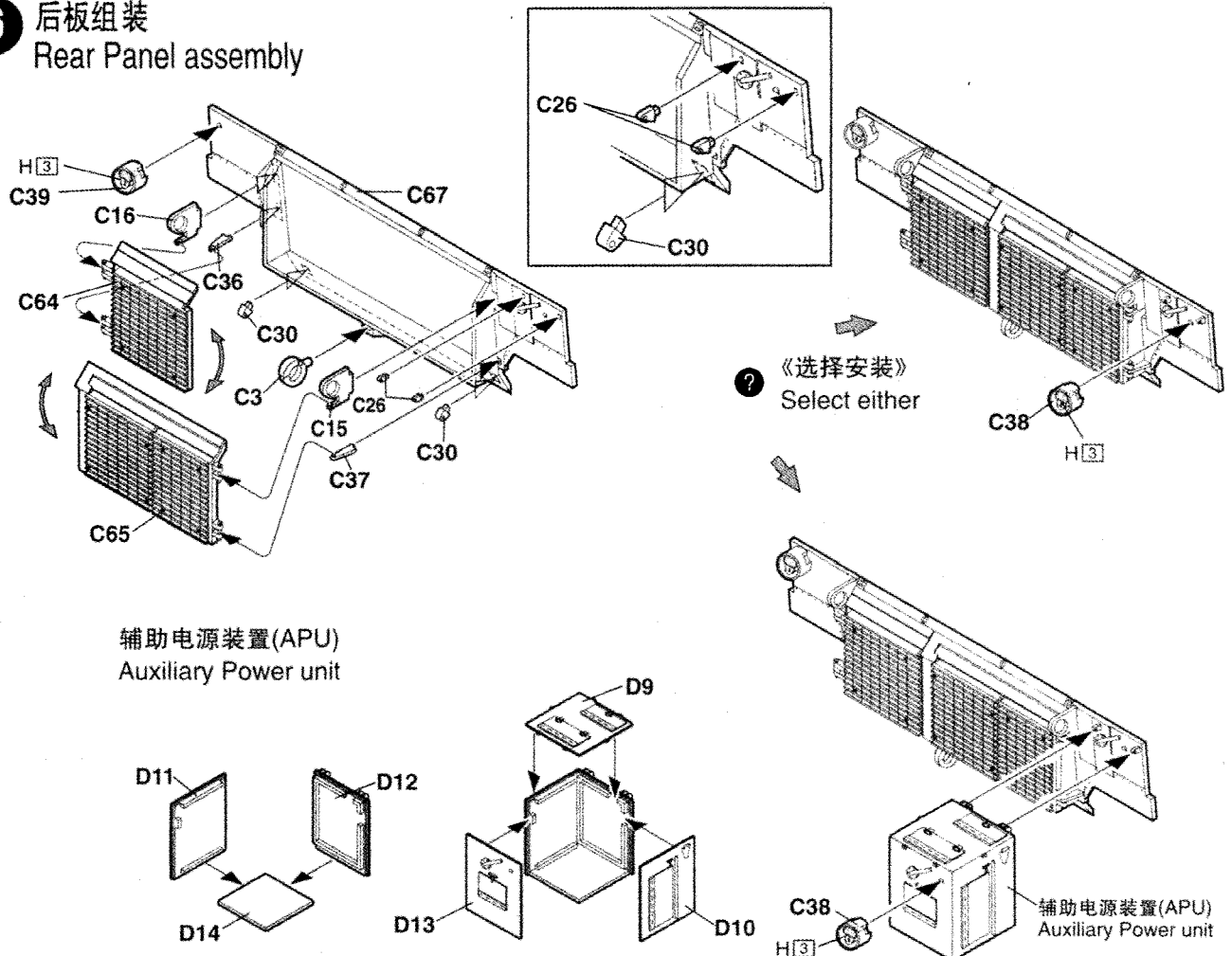


4 ② 选择
Optional

5 右侧车底组装
Right lower hull assembly

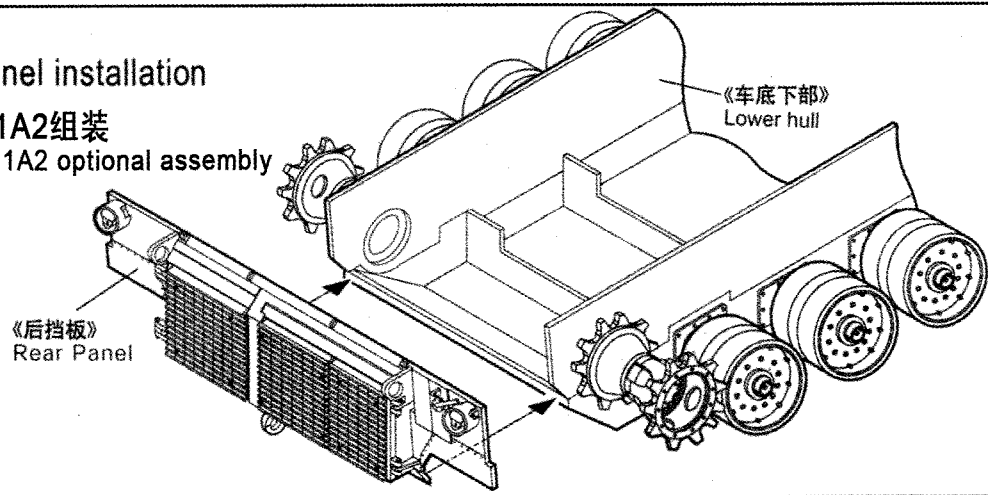


6 后板组装
Rear Panel assembly



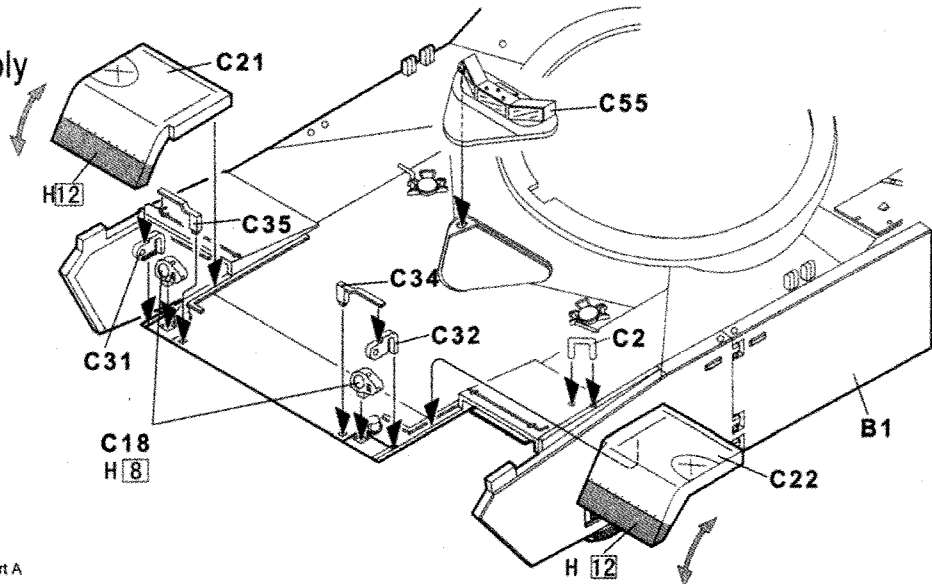
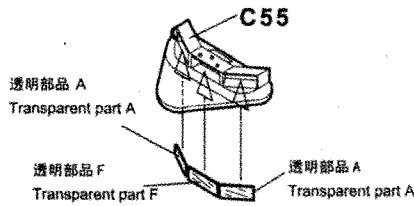
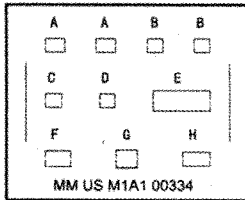
7 后板安装 Rear Panel installation

M1A1HA和M1A2组
M1A1HA and M1A2 optional assembly

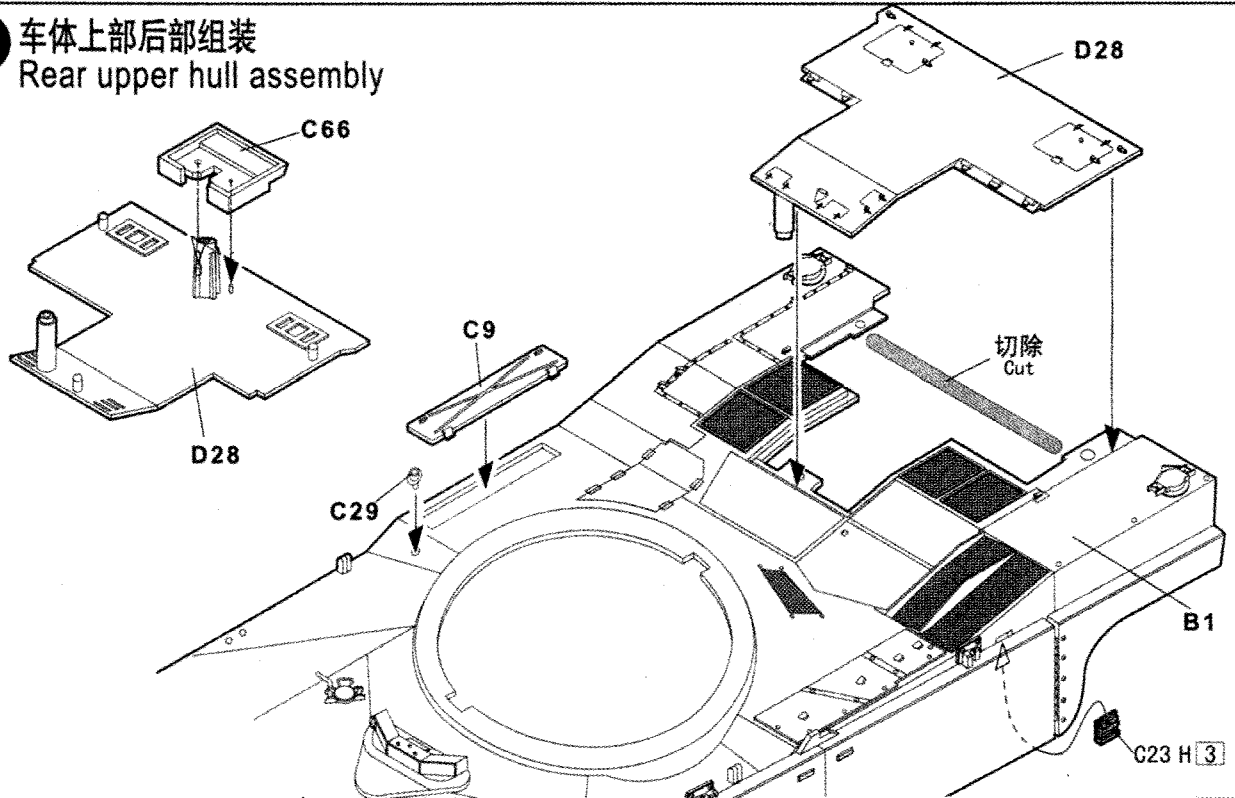


8 车体上部前部组装 Fore upper hull assembly

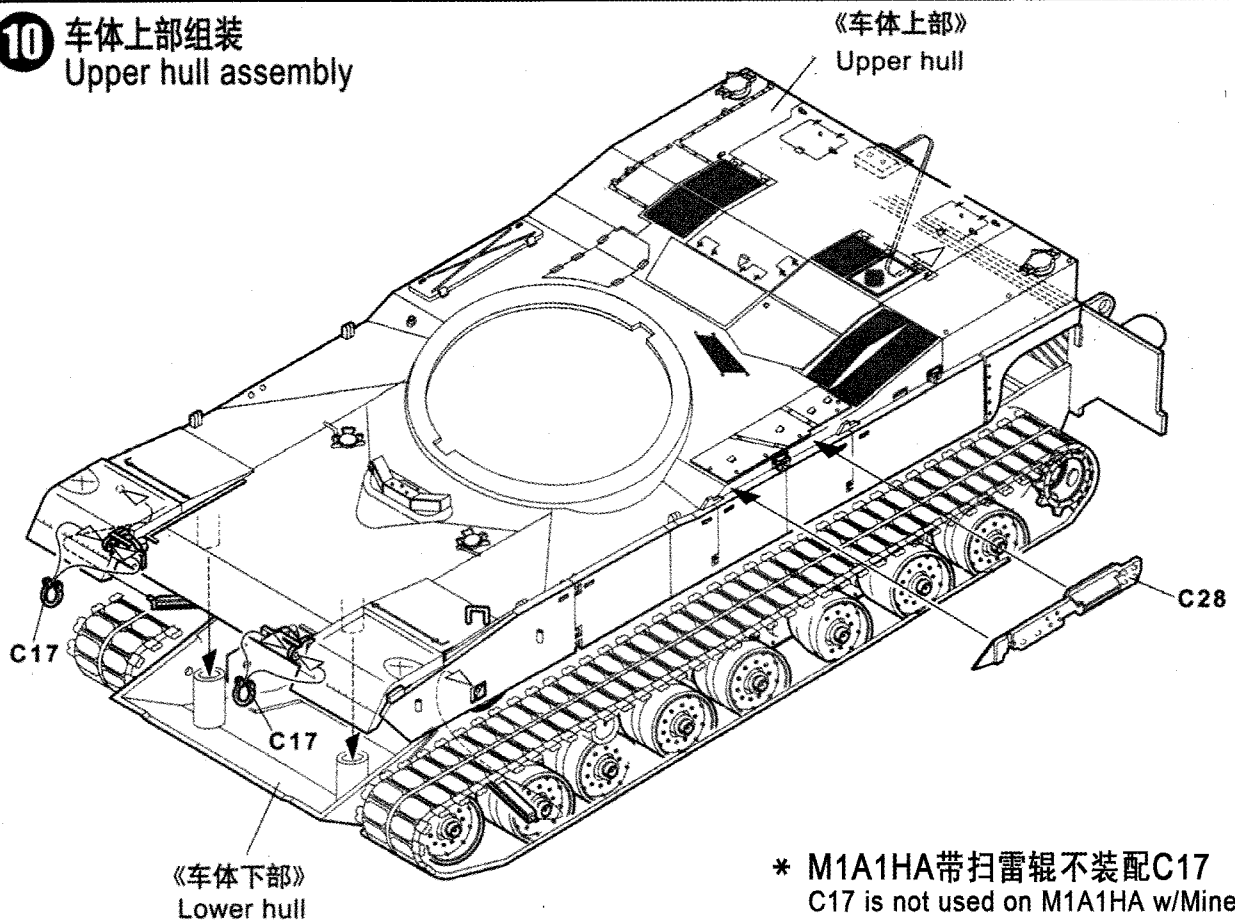
用小刀切下透明部品 A、F
Cut out transparent part A、F as shown



9 车体上部后部组装 Rear upper hull assembly

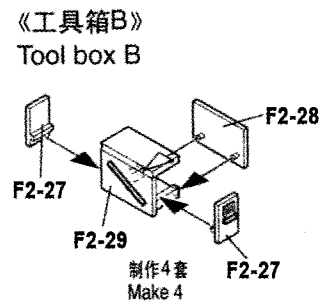
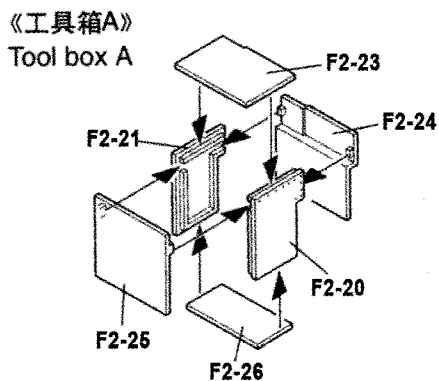
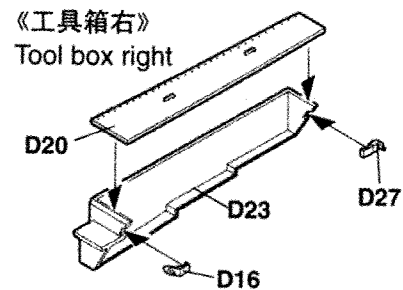
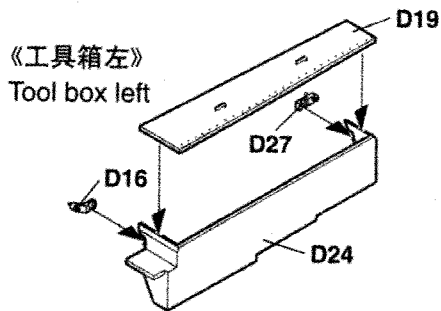


10 车体上部组装
Upper hull assembly



* M1A1HA带扫雷辊不装配C17
C17 is not used on M1A1HA w/Mine roller

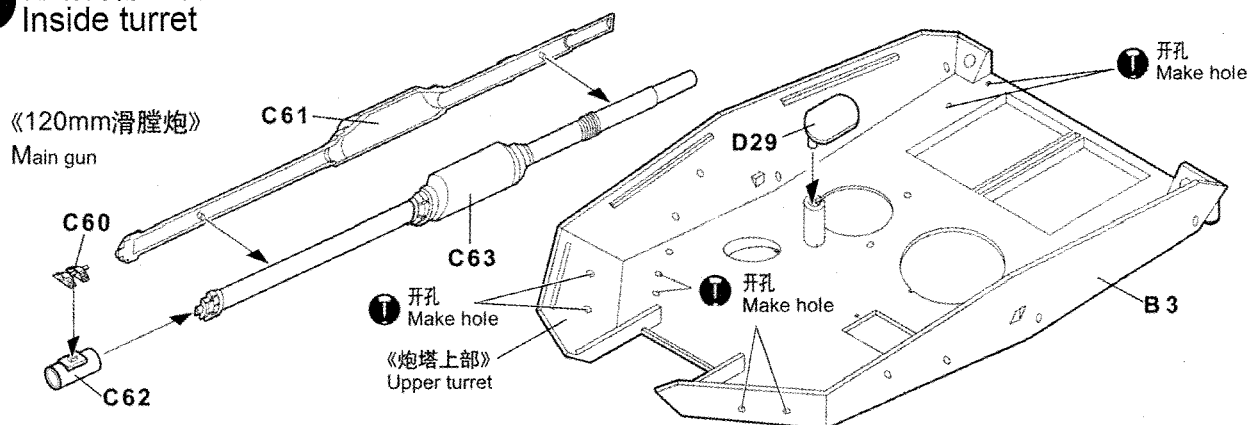
11 工具箱组装
Tool box assembly



A MIA1HA 型组装
M1A1HA assembly

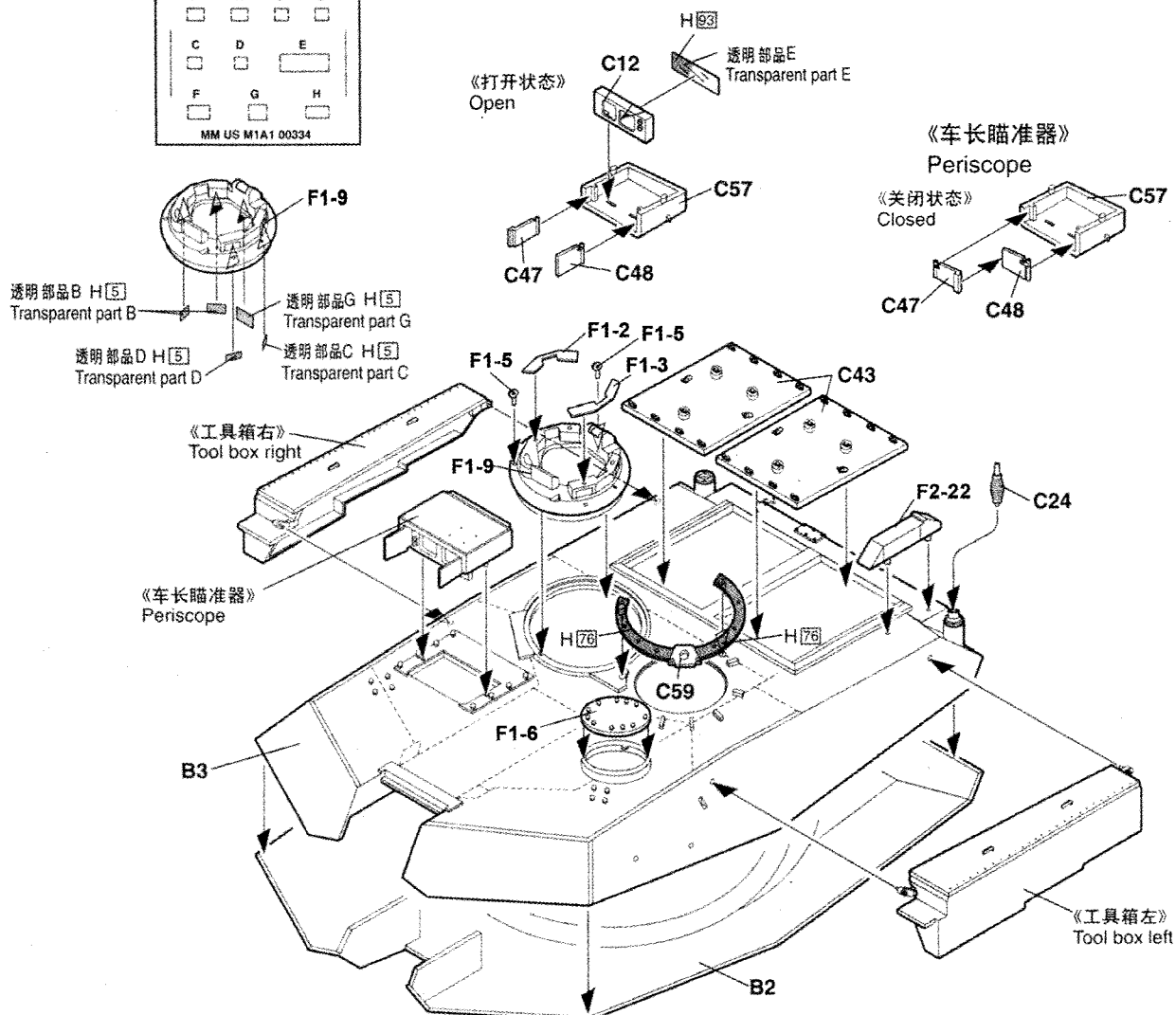
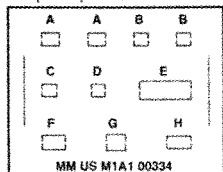
? 选择
Optional

1 炮塔内部组装
Inside turret

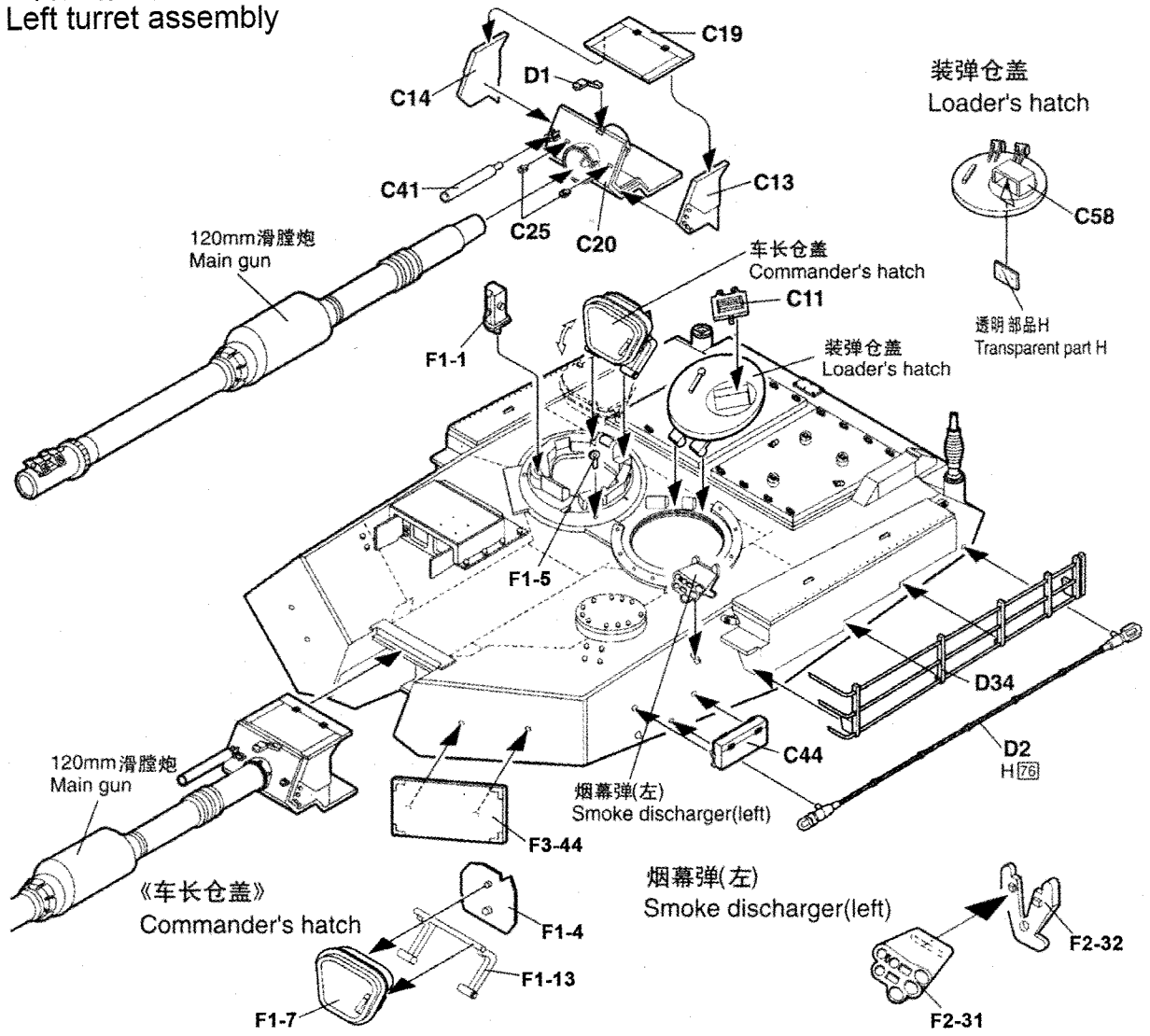


2 炮塔组装
Turret assembly

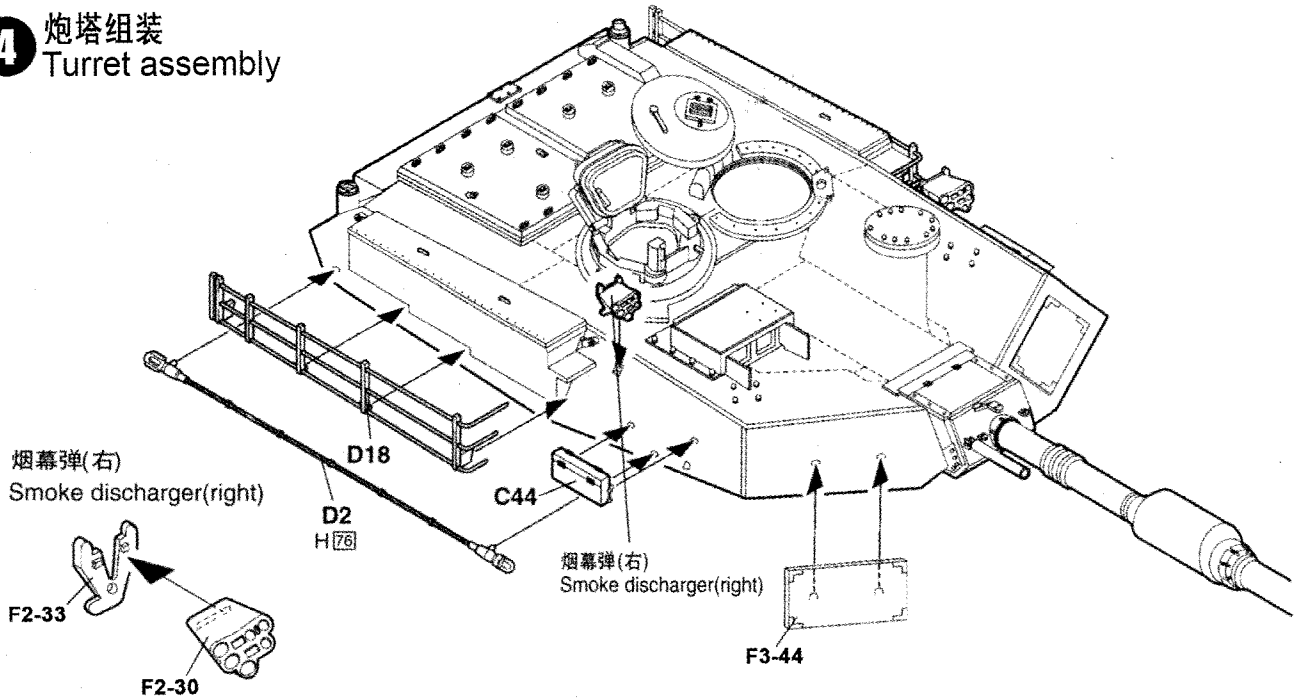
用小刀切下透明部品B、C、D、E、G
Cut out transparent part B、C、D、E、G as shown



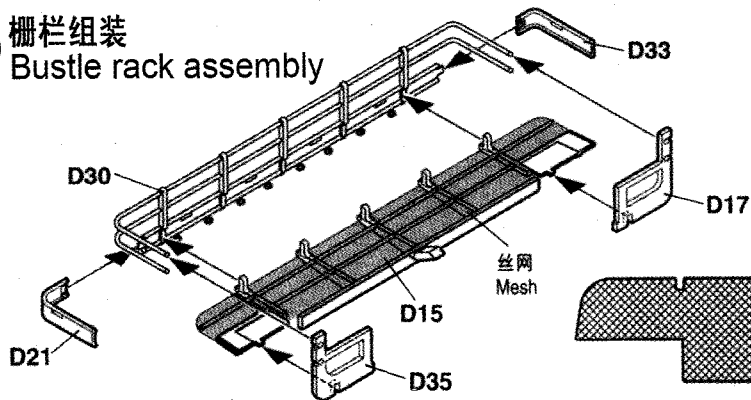
3 左侧炮塔组装
Left turret assembly



4 炮塔组装
Turret assembly



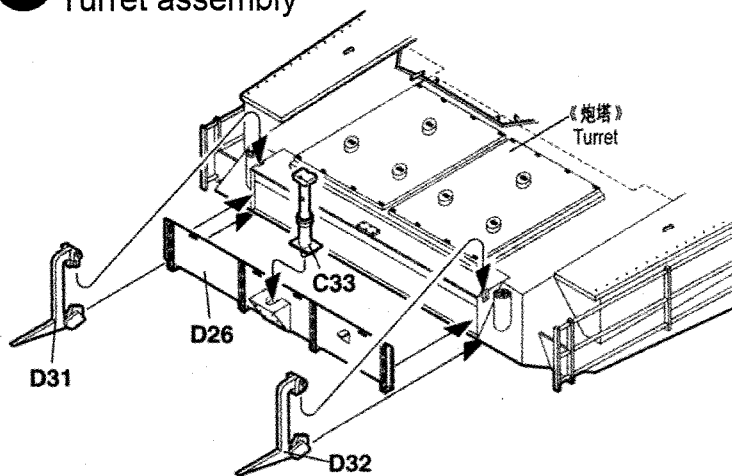
5 栅栏组装
Bustle rack assembly



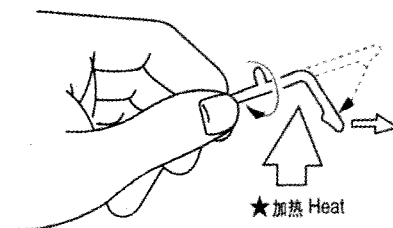
按图示形状大小剪下丝网
Cut mesh into size/shape shown below.



6 炮塔组装
Turret assembly

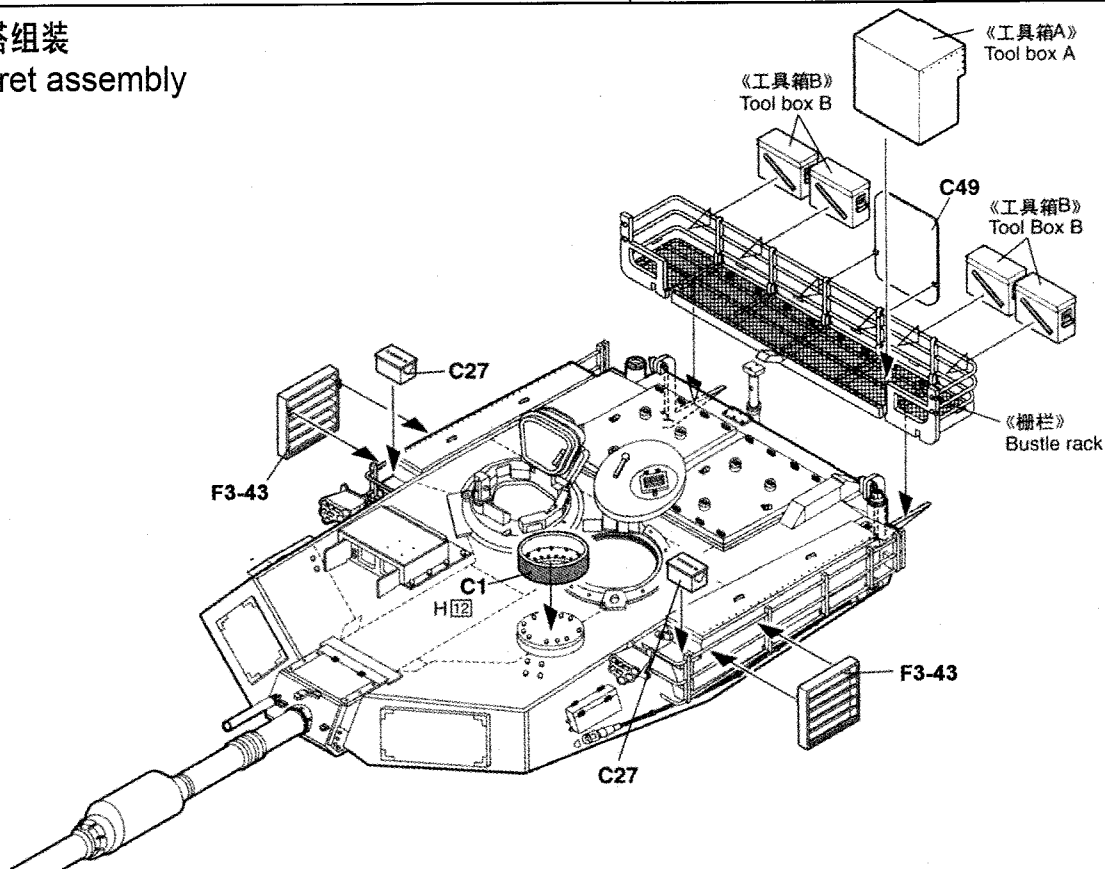


《如何拉线》
How to make antenna

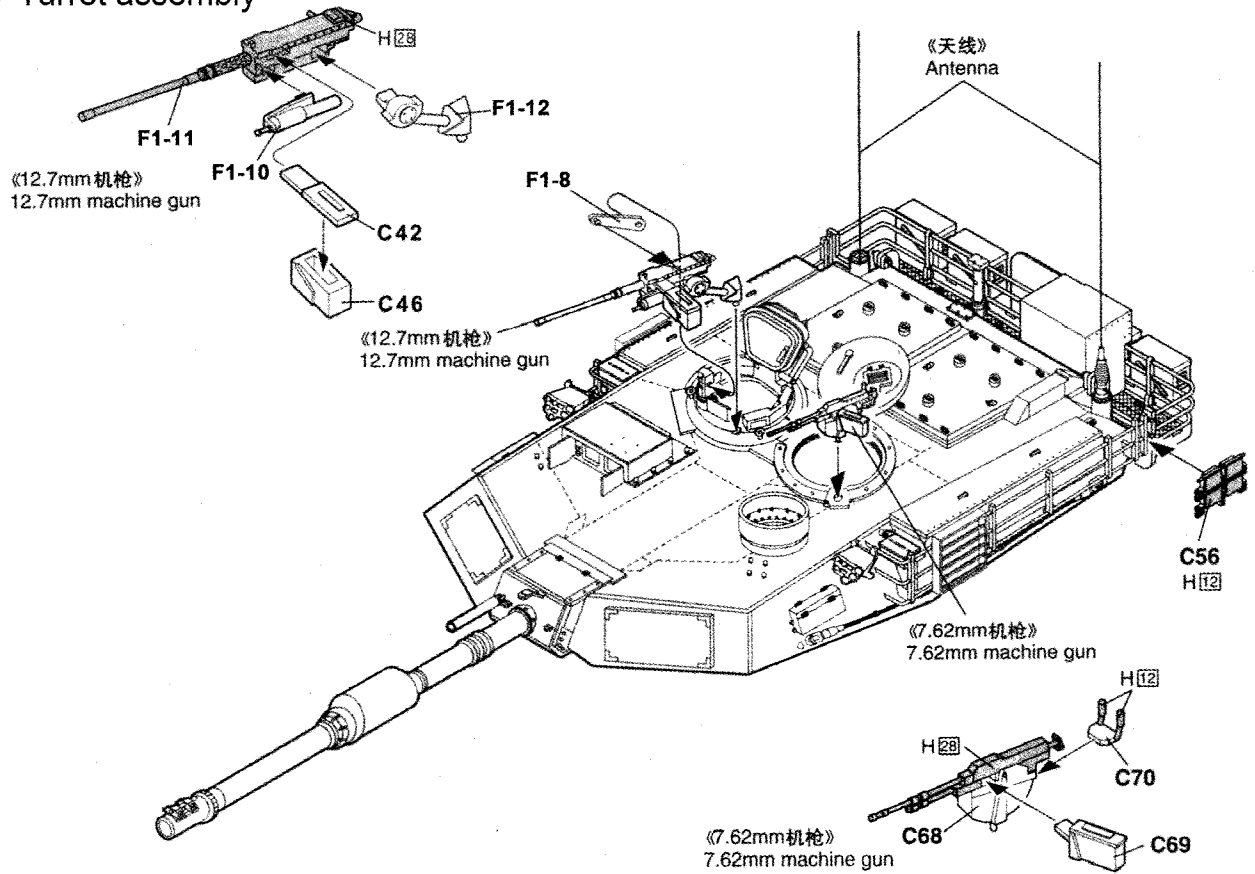


★加热浇口，拉线冷却，冷却后切成所需长度
Heat sprue as shown, Remove from flame and stretch Allow to cool and cut to required Length.

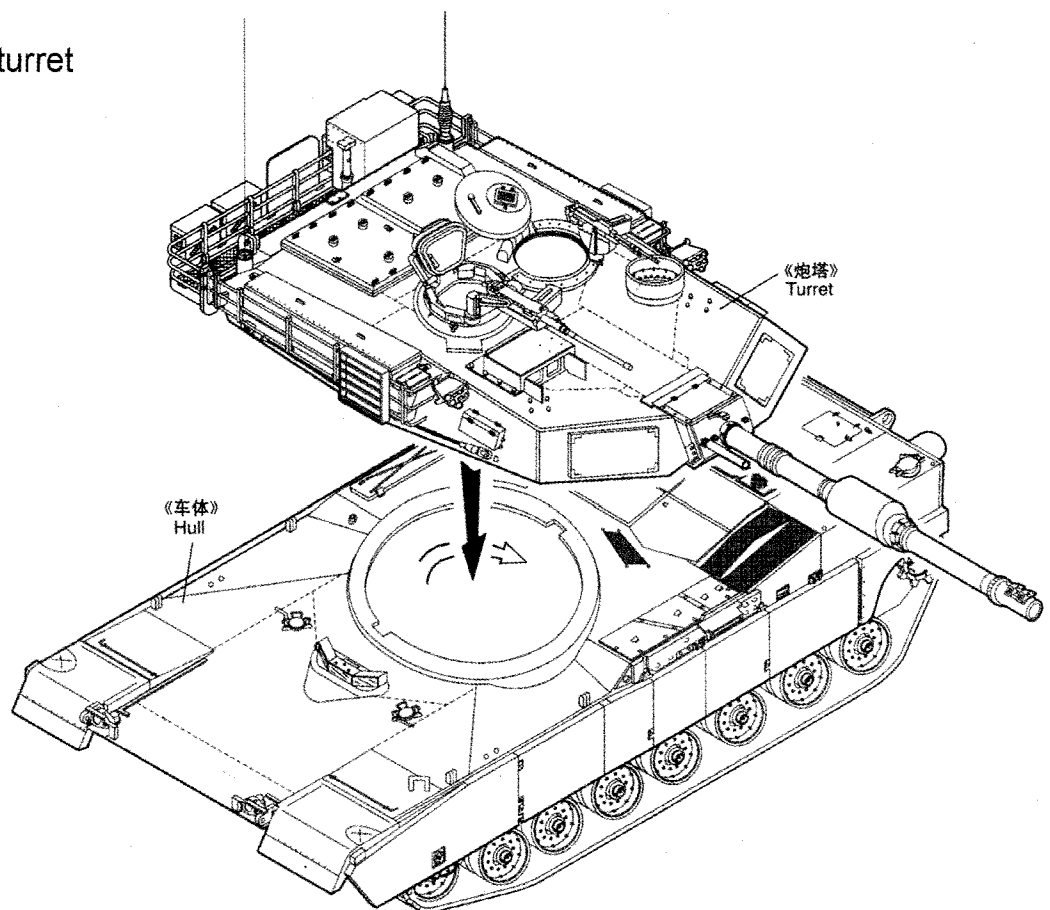
7 炮塔组装
Turret assembly



8 炮塔组装
Turret assembly



9 炮塔安装
Attaching turret

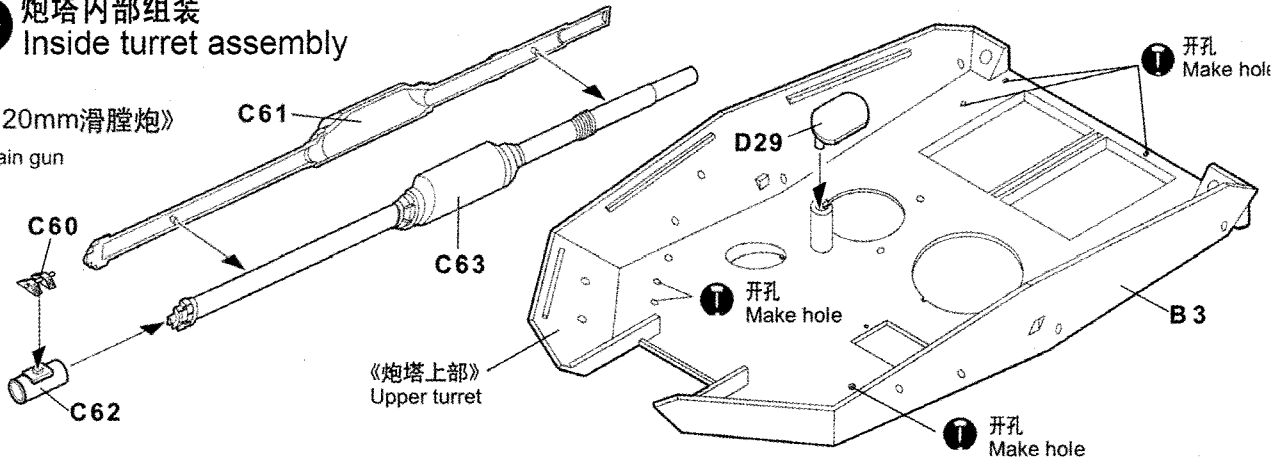


B MIA2型组装
M1A2 assembly

? 选择
Optional

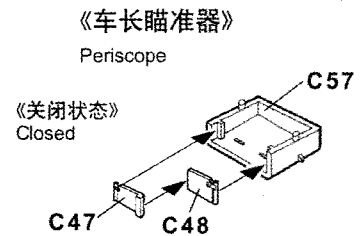
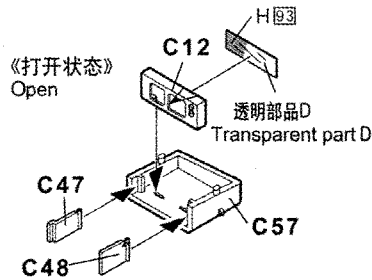
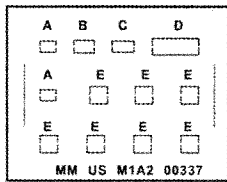
1 炮塔内部组装
Inside turret assembly

《120mm滑膛炮》
Main gun

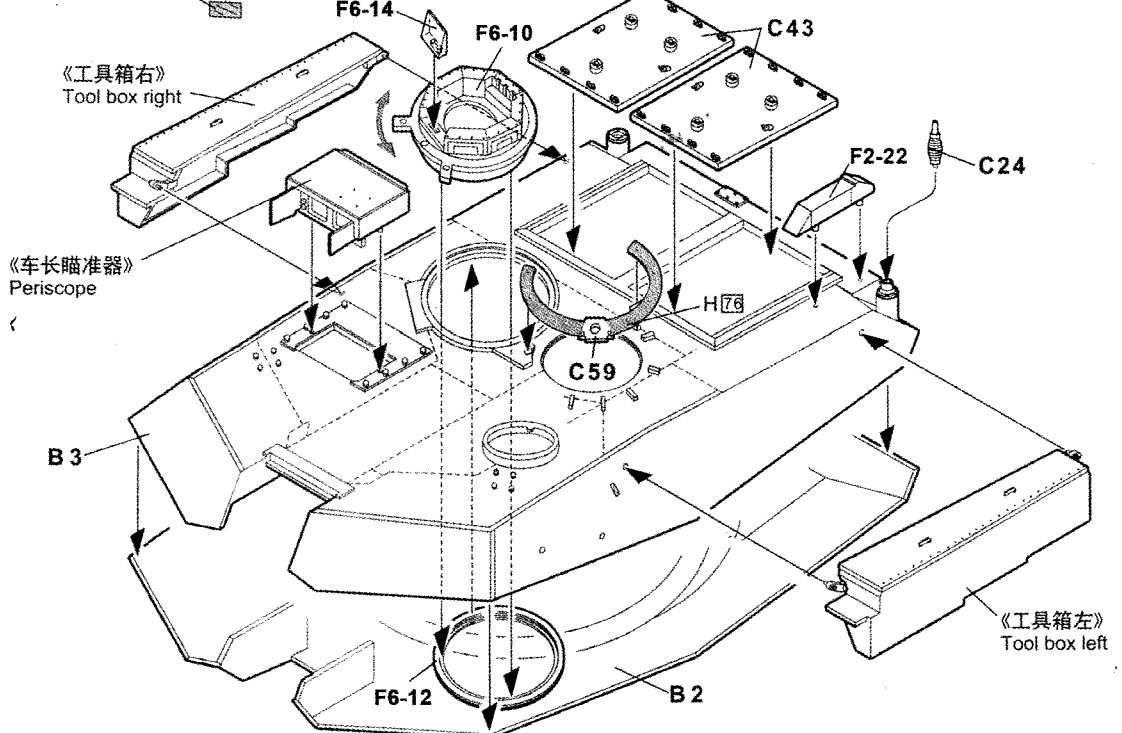


2 炮塔组装
Turret assembly

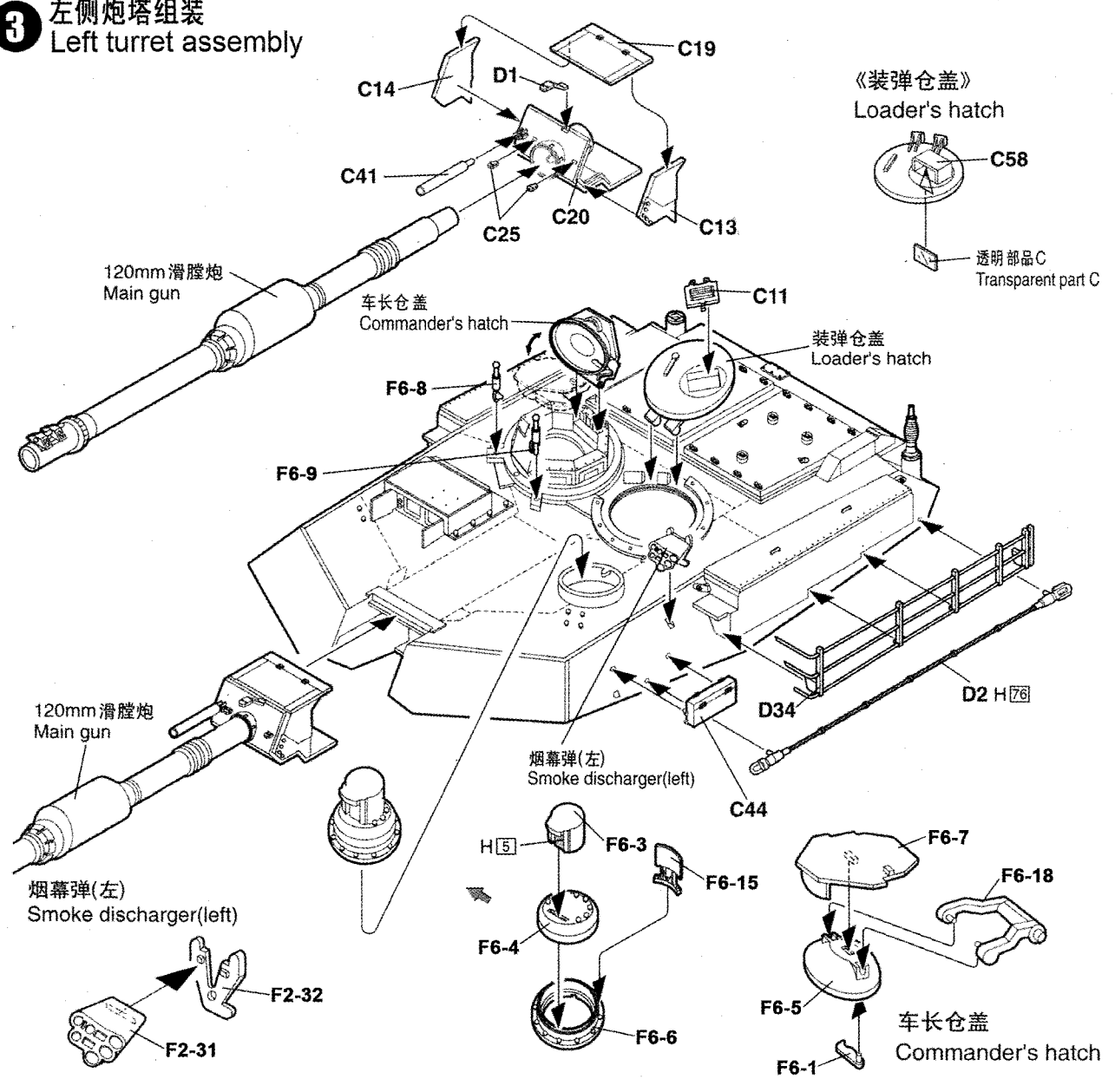
用小刀切下透明部品 D、E
Cut out transparent part D、E as shown



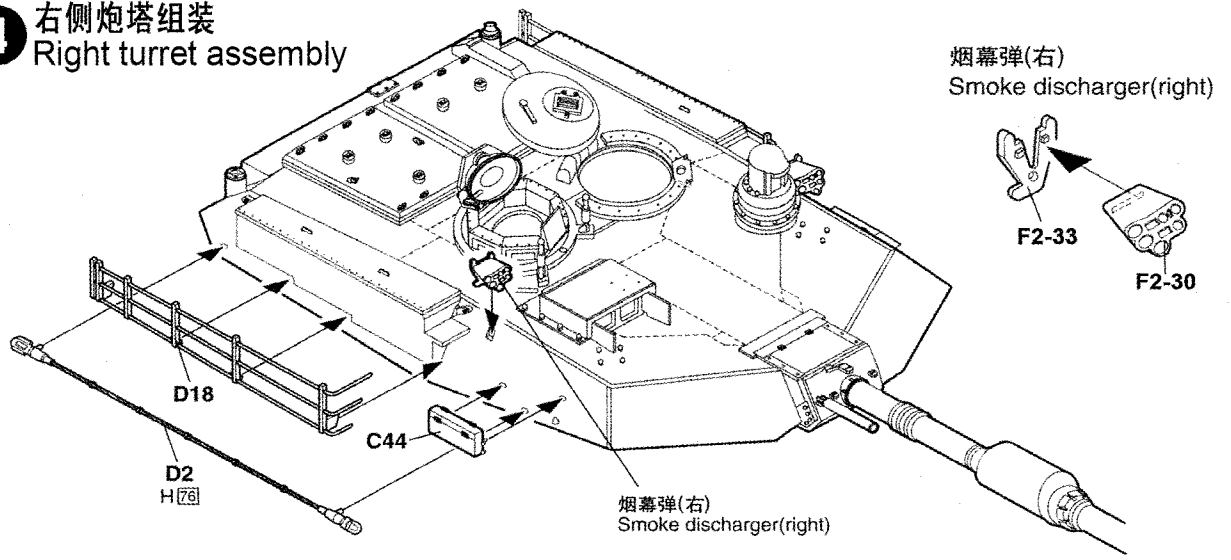
透明部品E H75
Transparent part E



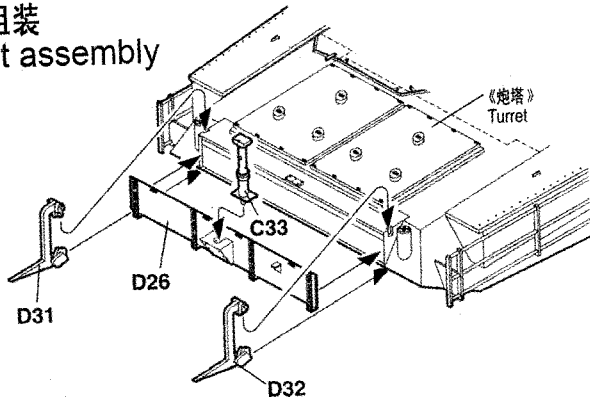
3 左侧炮塔组装
Left turret assembly



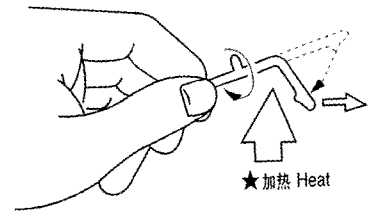
4 右侧炮塔组装
Right turret assembly



5 炮塔组装 Turret assembly

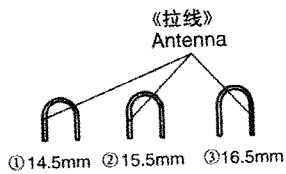


《如何拉线》 How to make antenna

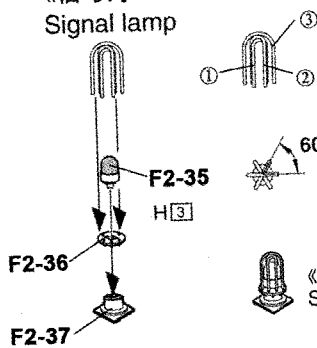


★加热浇口，拉线冷却，冷却后切成所需长度
Heat sprue as shown, Remove from flame and stretch Allow to cool and cut to required Length.

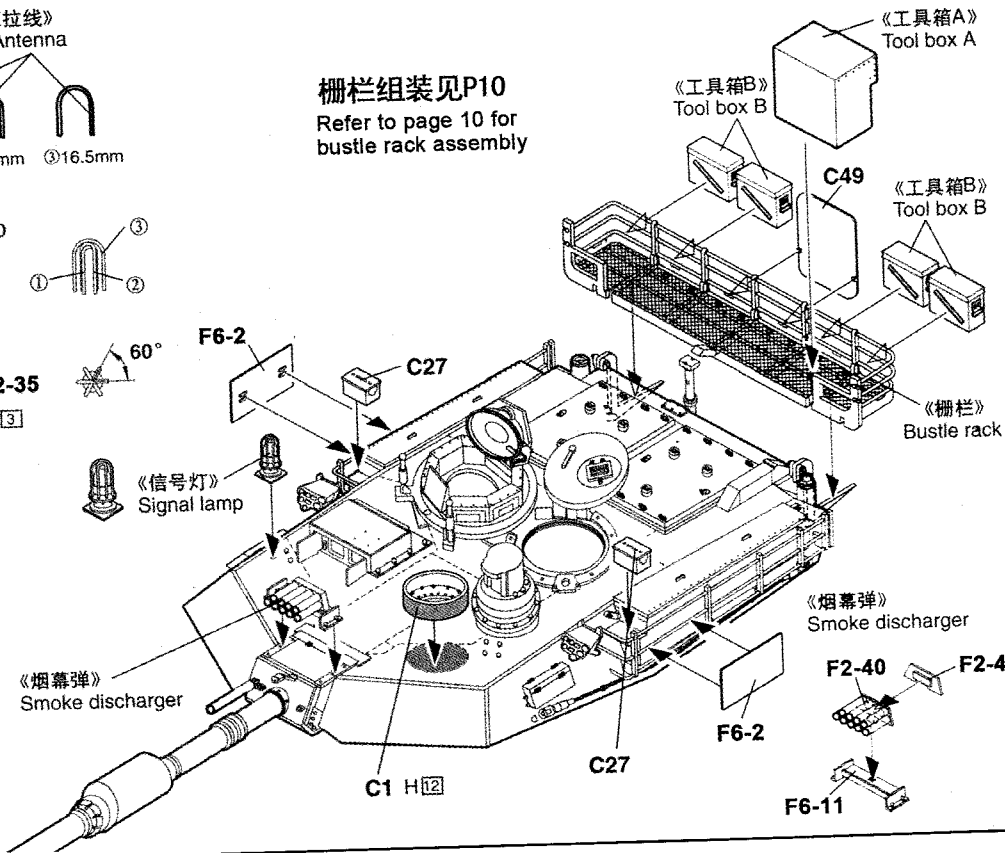
6 炮塔组装 Turret assembly



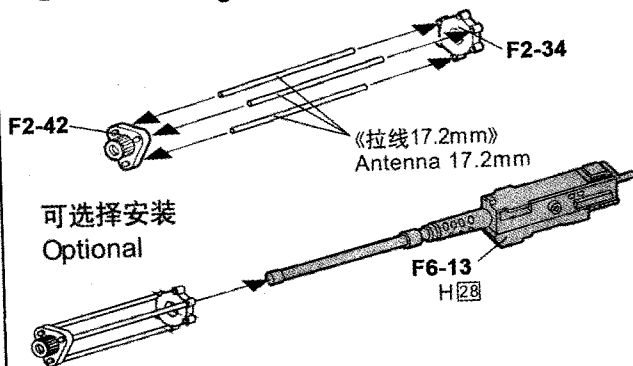
《信号灯》
Signal lamp



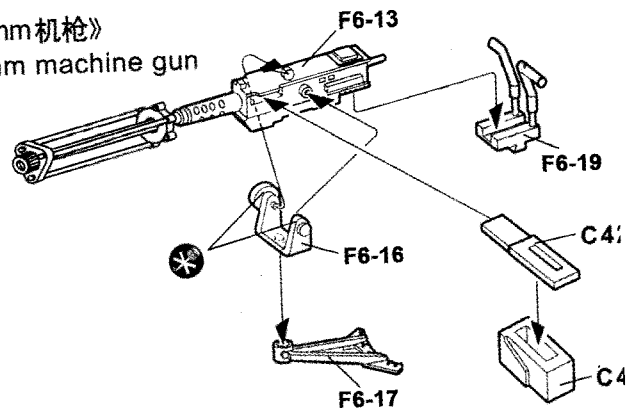
栅栏组装见P10
Refer to page 10 for bustle rack assembly



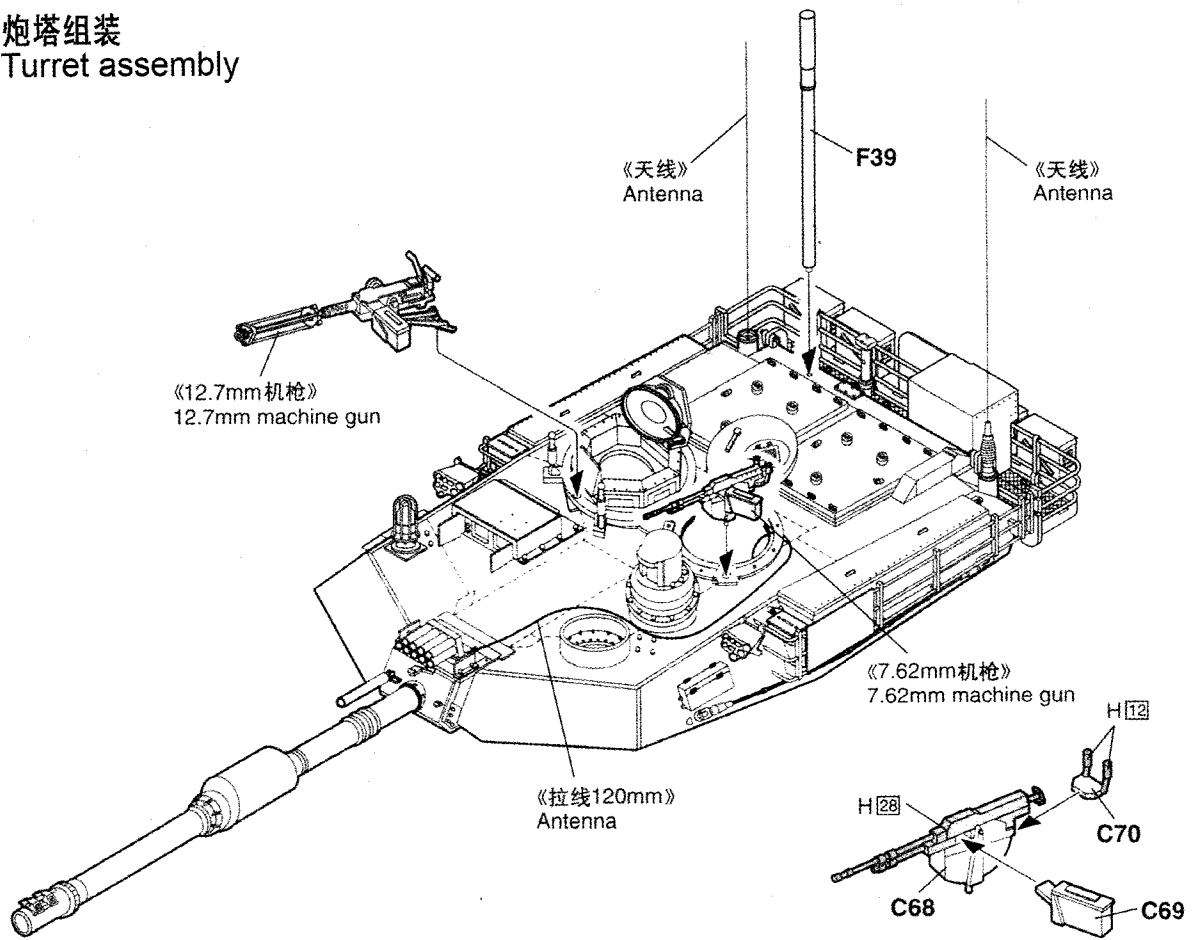
7 机枪组装 Machine gun assembly



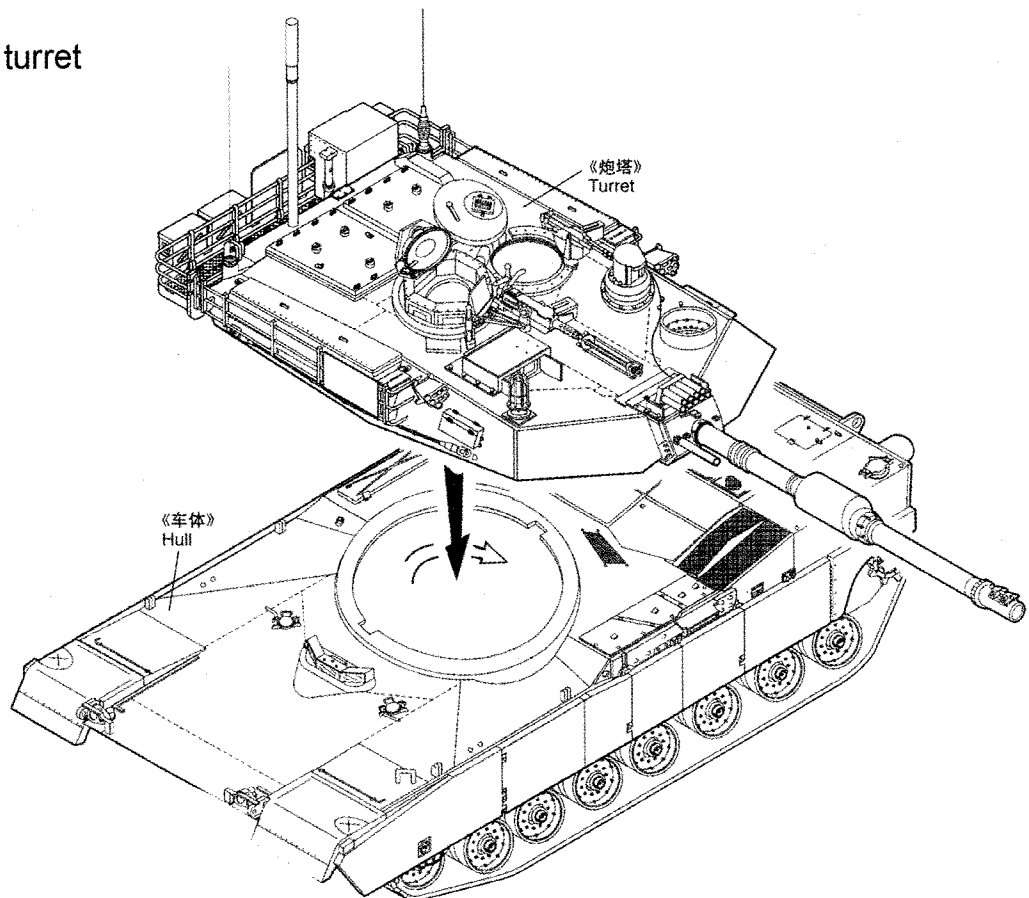
《12.7mm机枪》
12.7mm machine gun



8 炮塔组装
Turret assembly



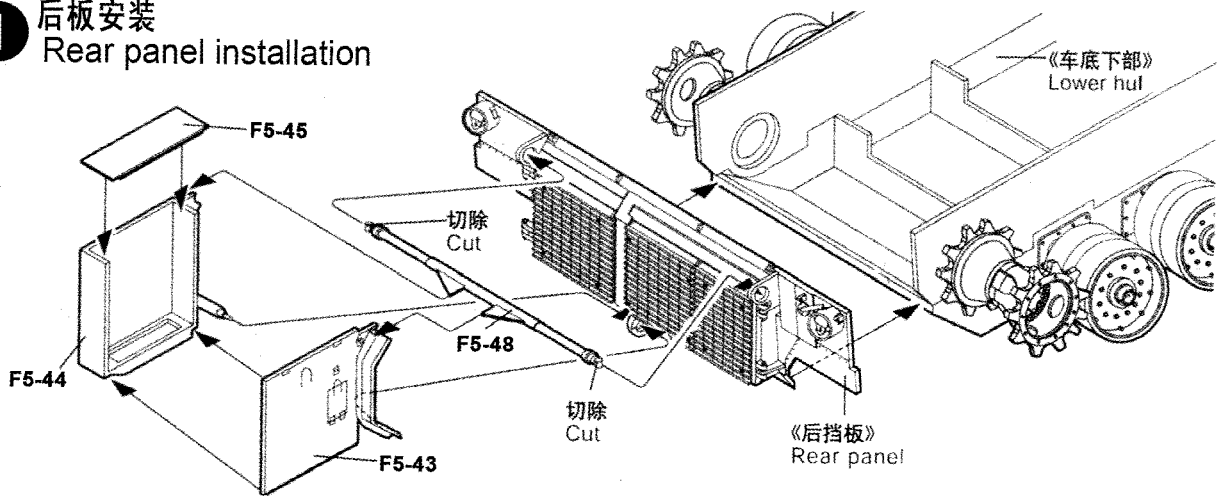
9 炮塔安装
Attaching turret



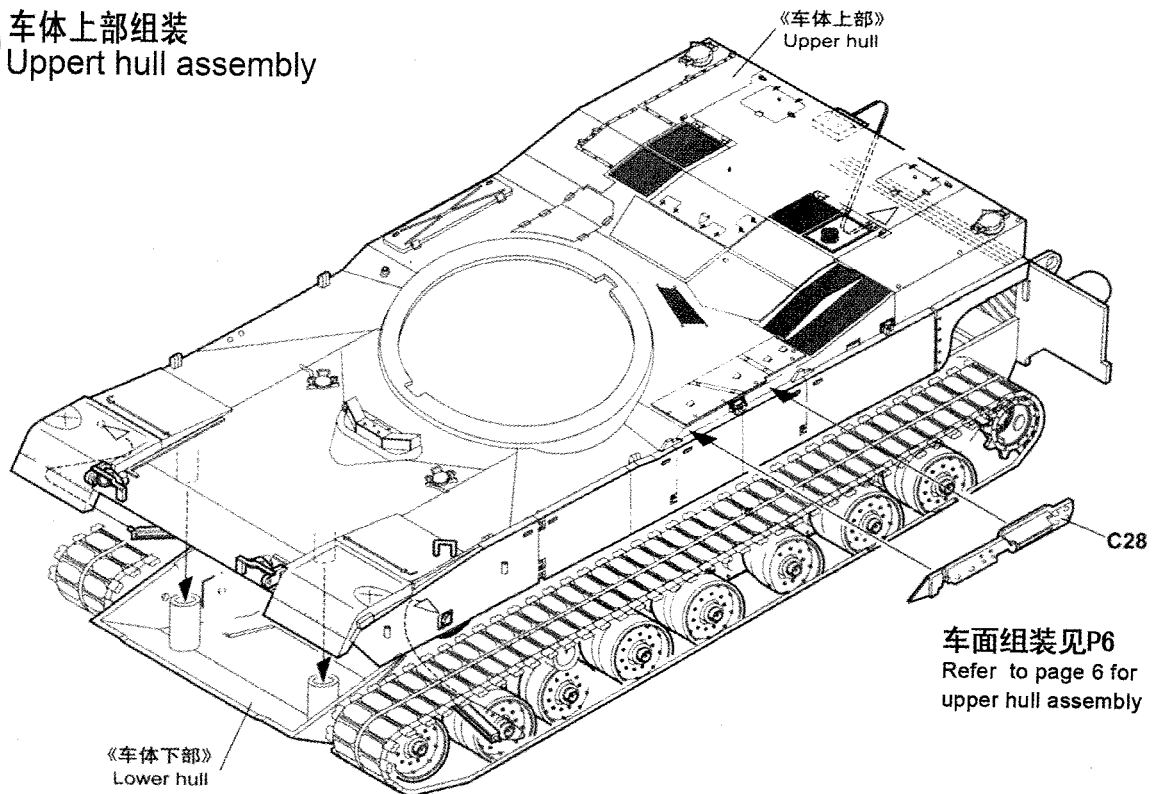
③ M1A1HA带扫雷辊组装
M1A1HA w/Mine roller assembly

② 选择
Optional

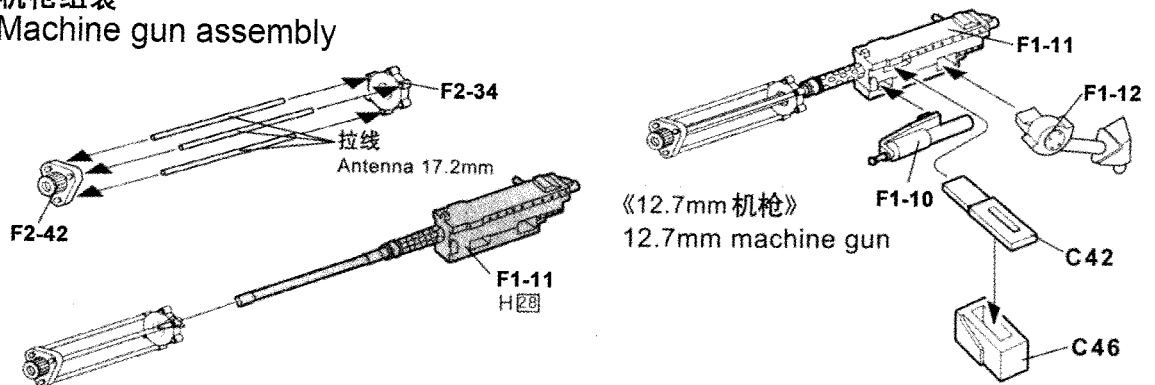
① 后板安装
Rear panel installation



② 车体上部组装
Upper hull assembly

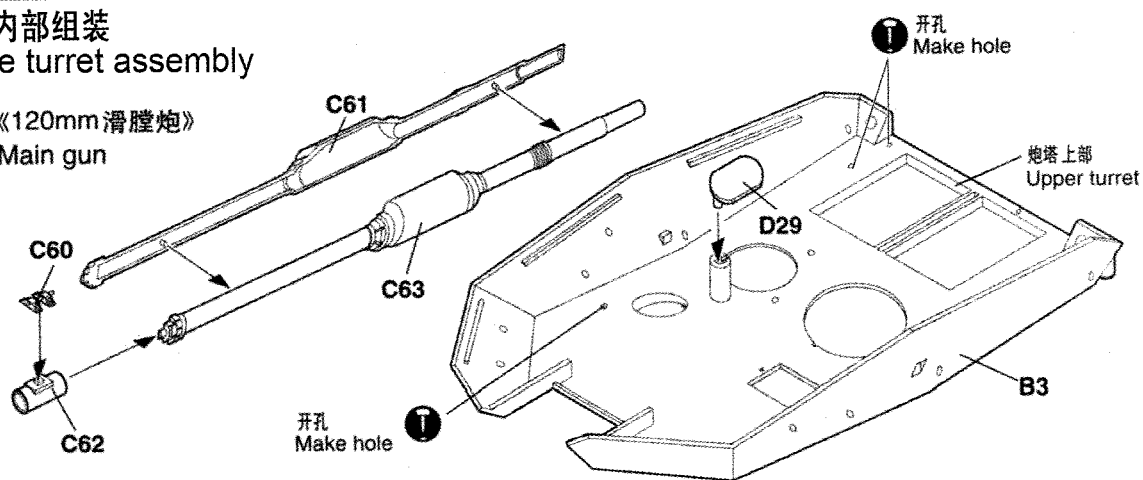


③ 机枪组装
Machine gun assembly



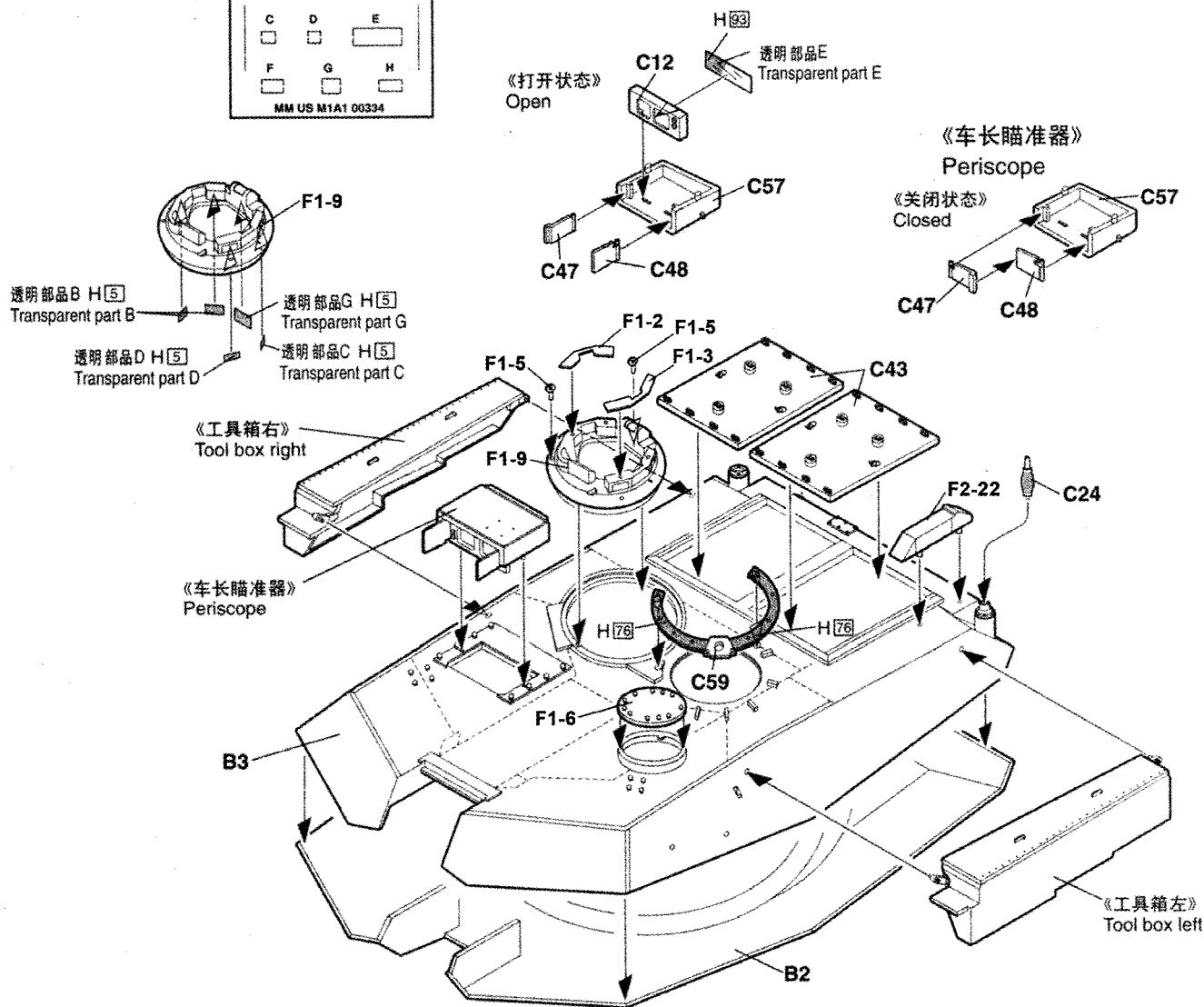
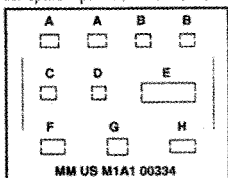
4 炮塔内部组装 Inside turret assembly

《120mm滑膛炮》
Main gun

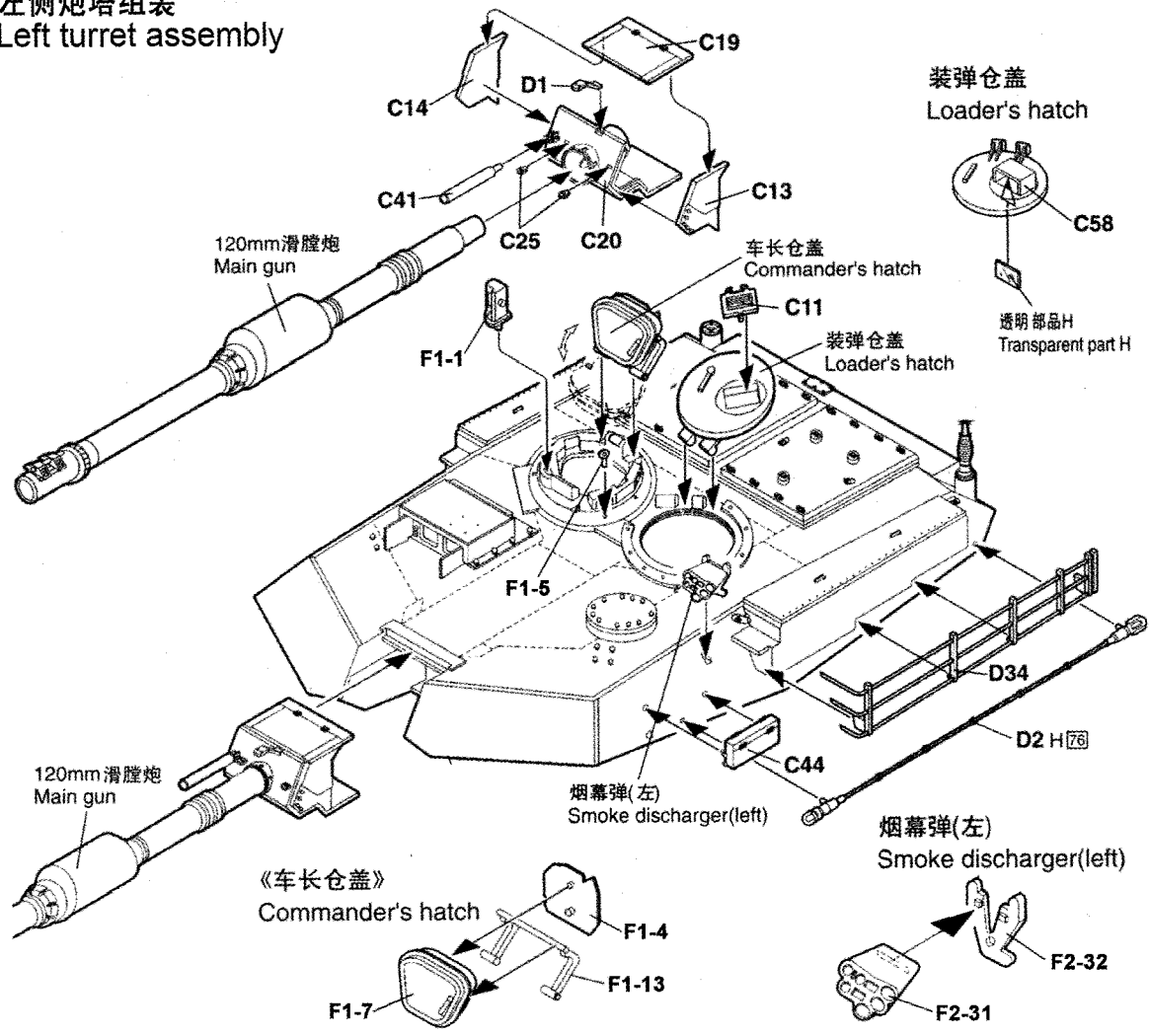


5 炮塔组装 Turret assembly

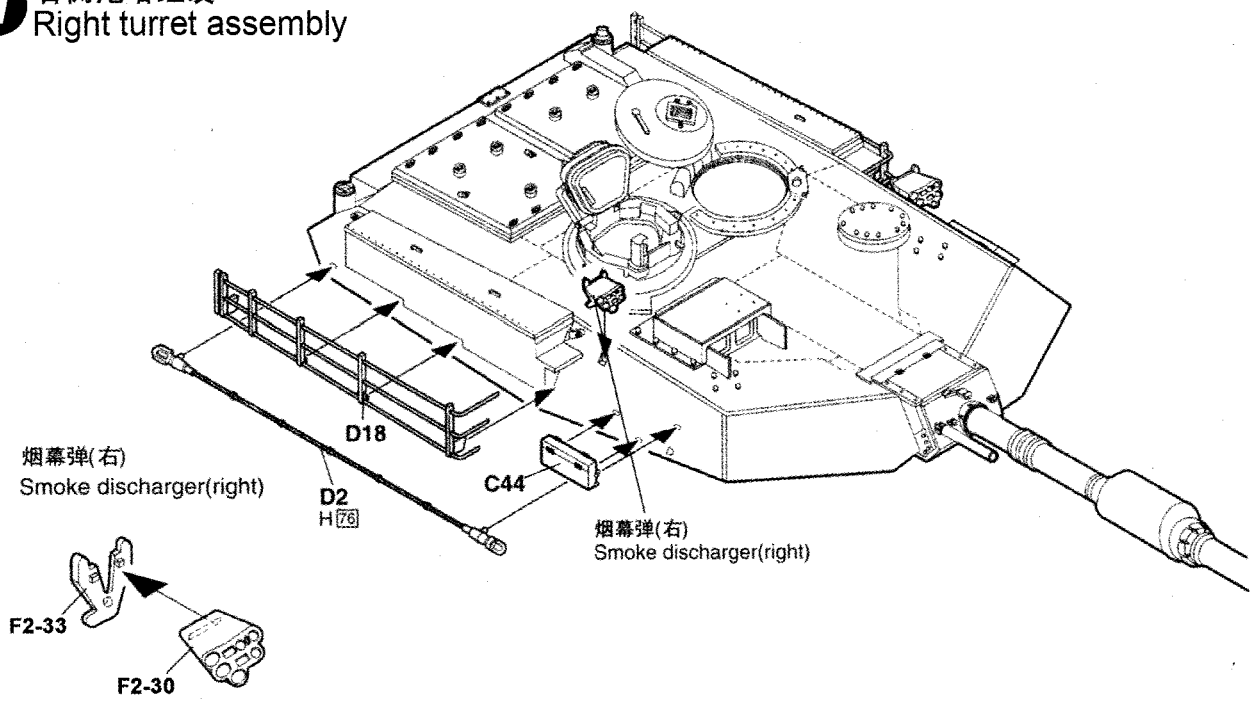
用小刀切下透明部品B、C、D、E、G
Cut out transparent part B、C、D、E、G as shown



6 左侧炮塔组装
Left turret assembly

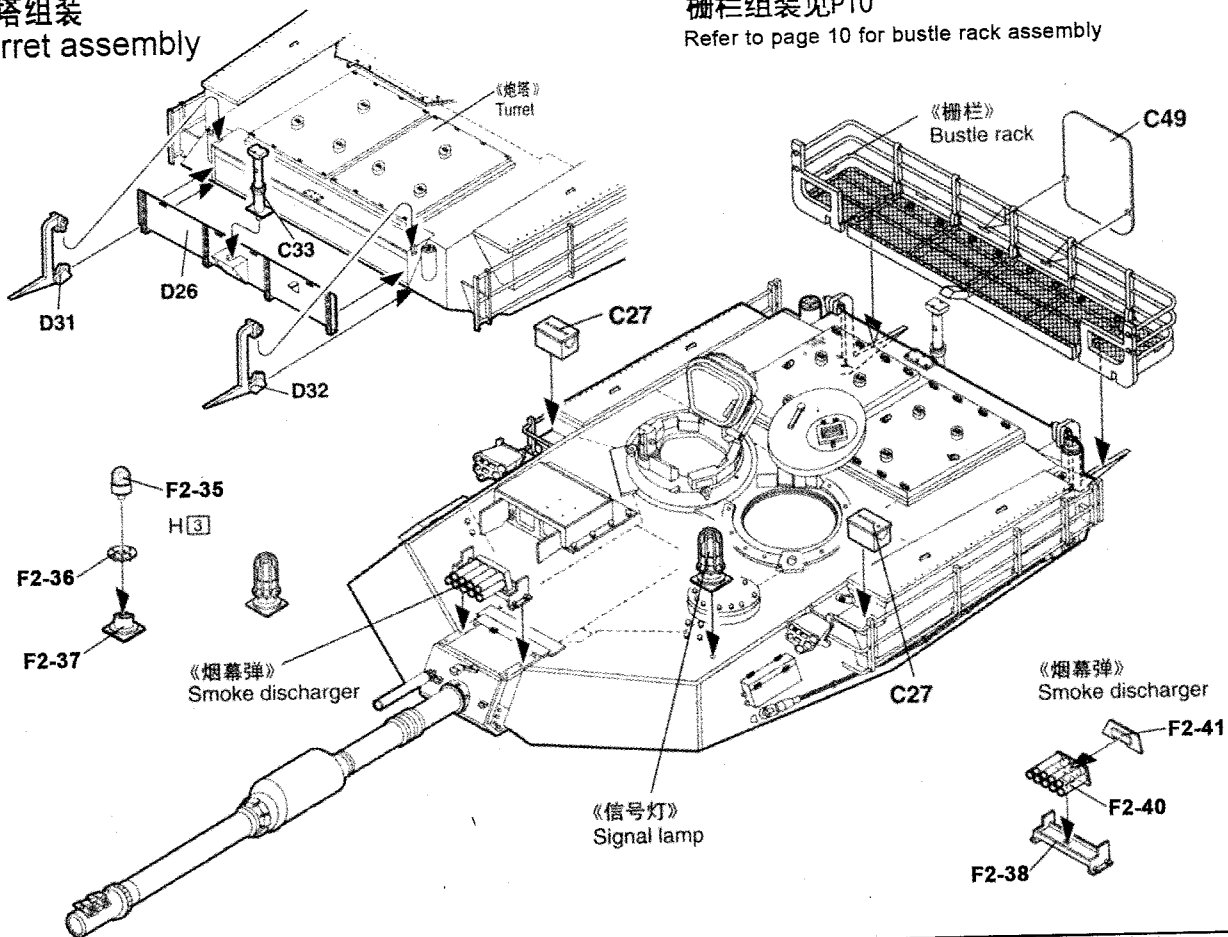


7 右侧炮塔组装
Right turret assembly

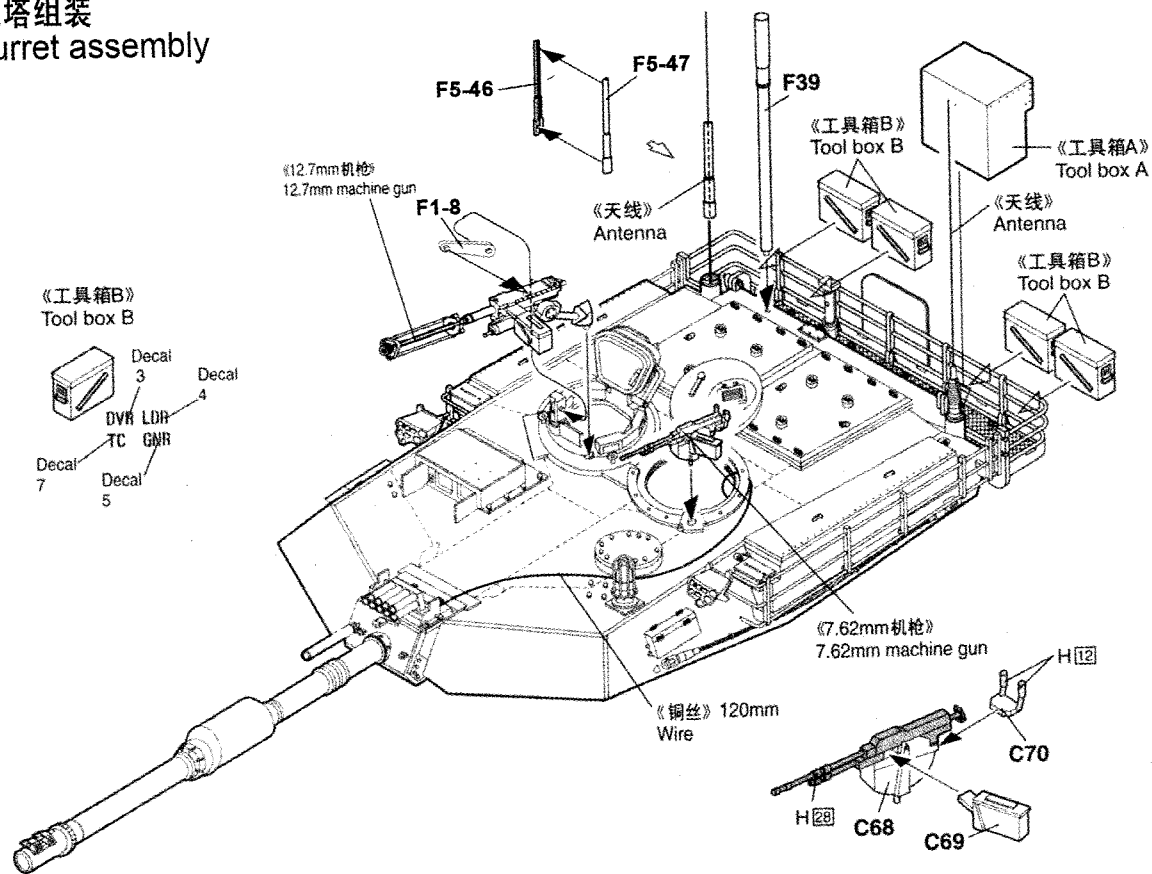


8 炮塔组装
Turret assembly

栅栏组装见P10
Refer to page 10 for bustle rack assembly

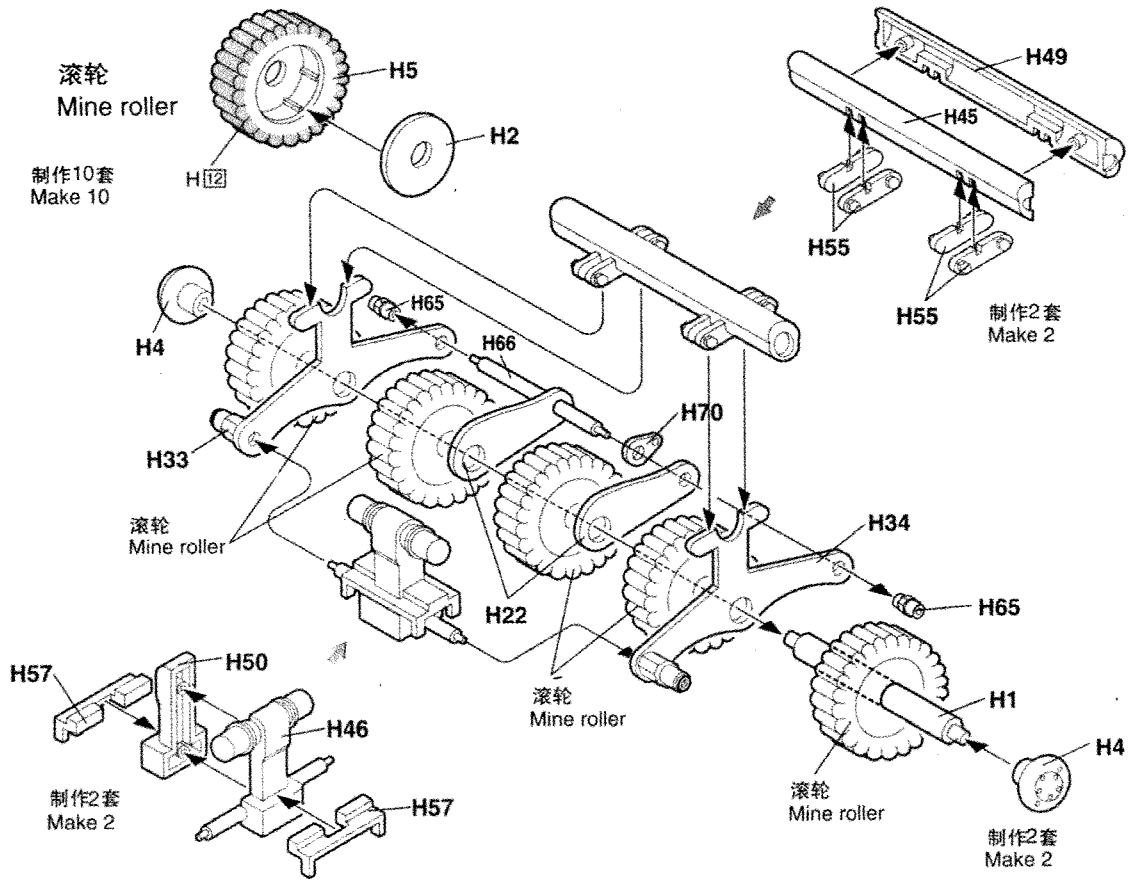


9 炮塔组装
Turret assembly

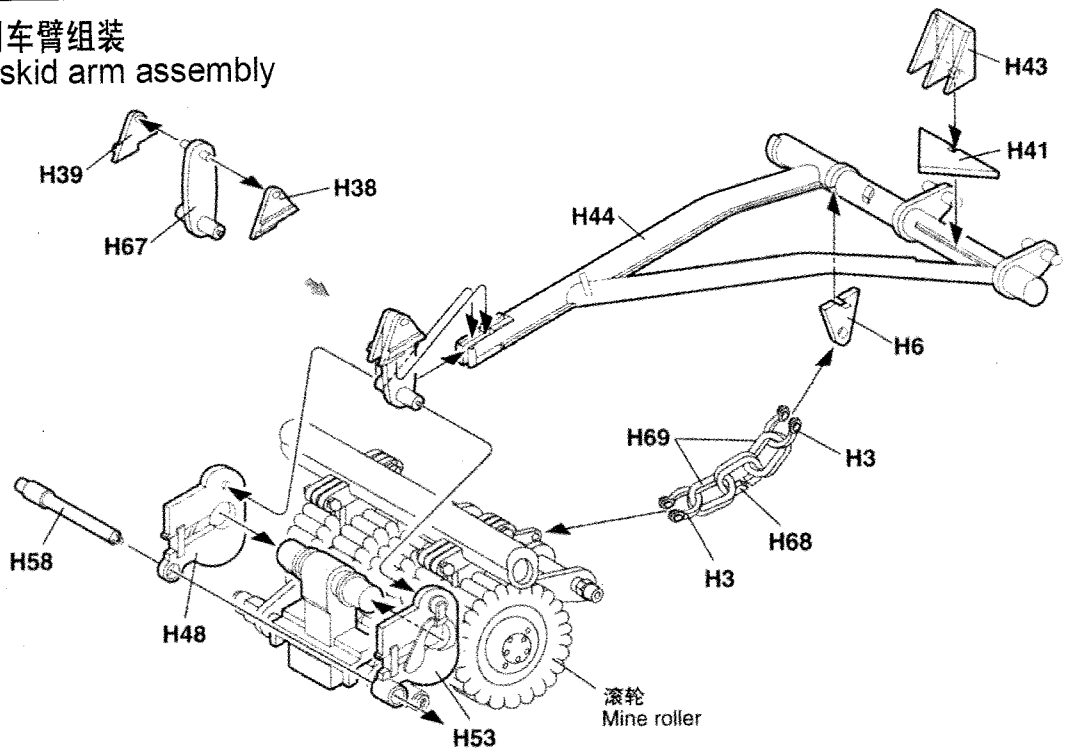


滚轮扫雷器组装
Mine roller set assembly

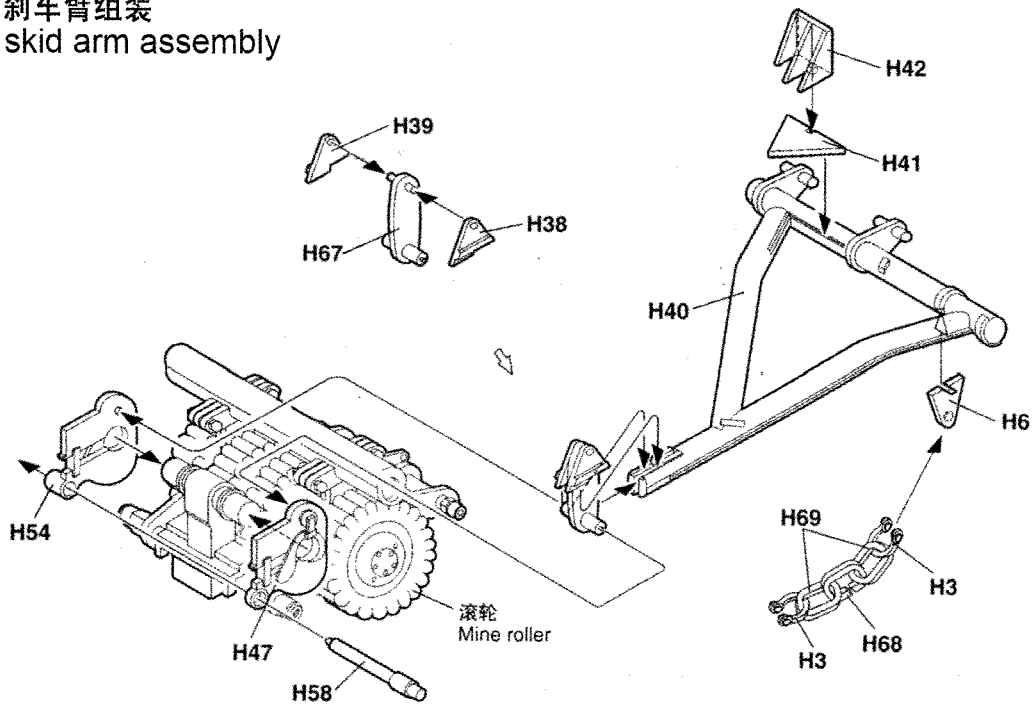
1 滚轮组装
Mine roller assembly



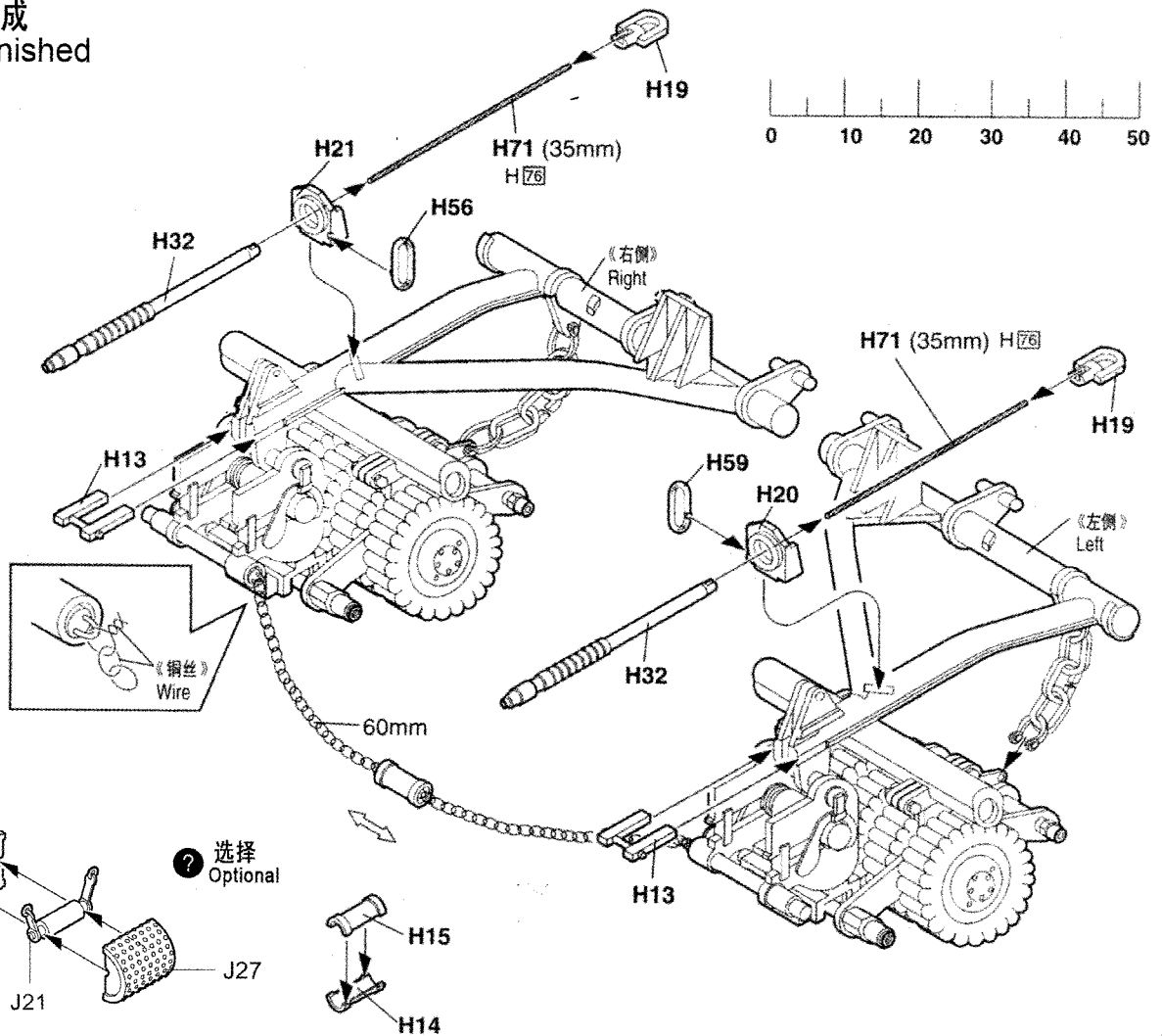
2 右侧刹车臂组装
Right skid arm assembly



3 左侧刹车臂组装
Left skid arm assembly



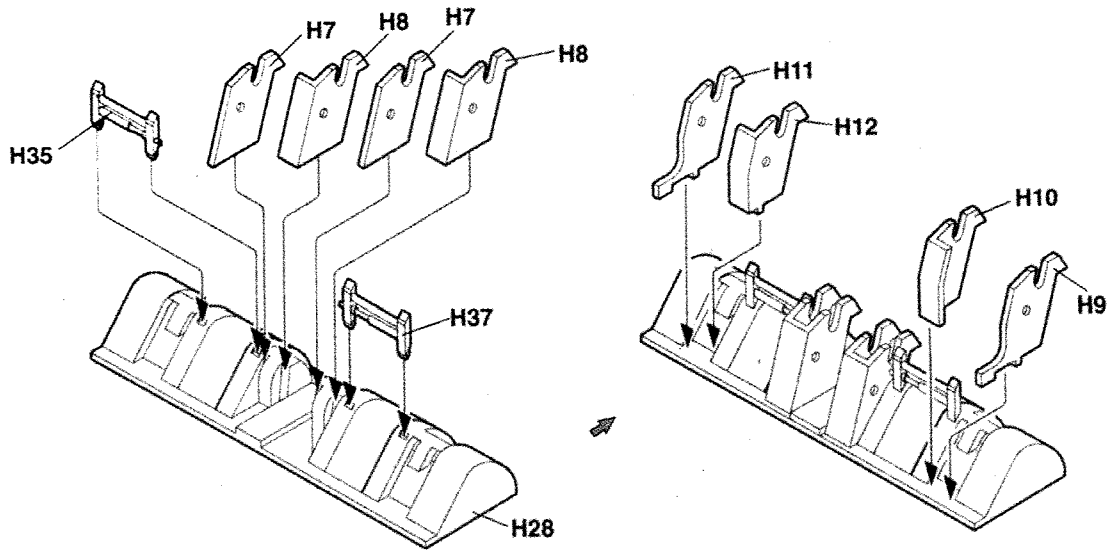
4 完成
Finished



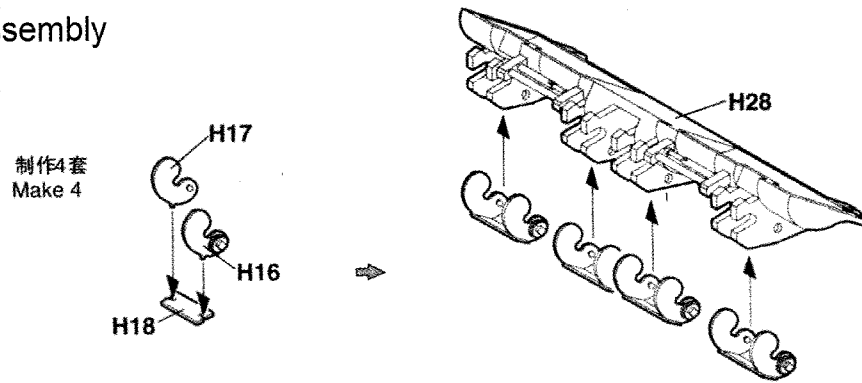
M1黑豹II型
M1 Panther II

M1A1HA带扫雷辊
M1A1HA w/mine roller

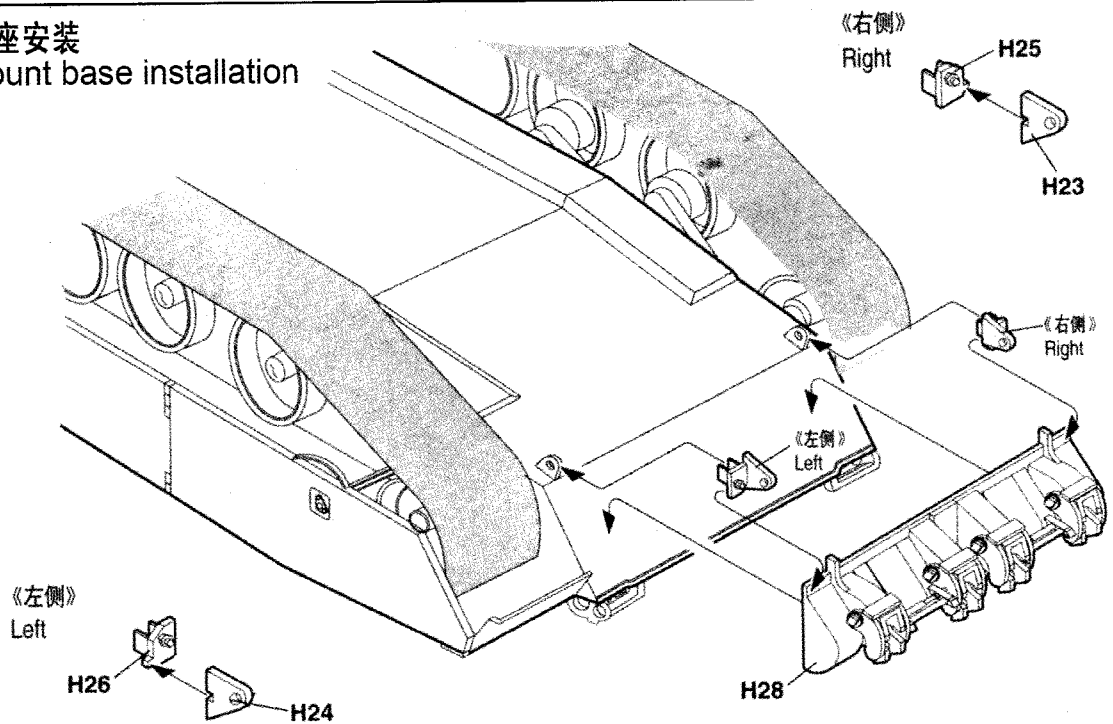
5 基座组装
Mount base assembly



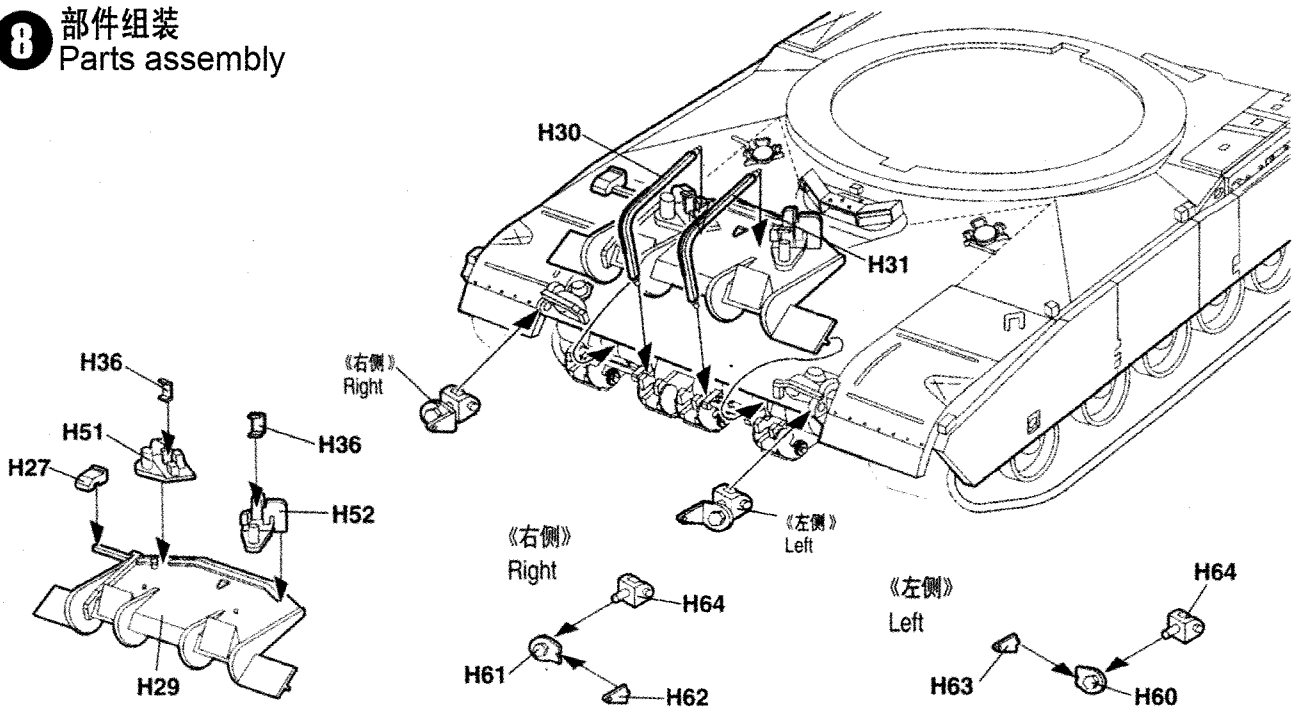
6 部件组装
Parts assembly



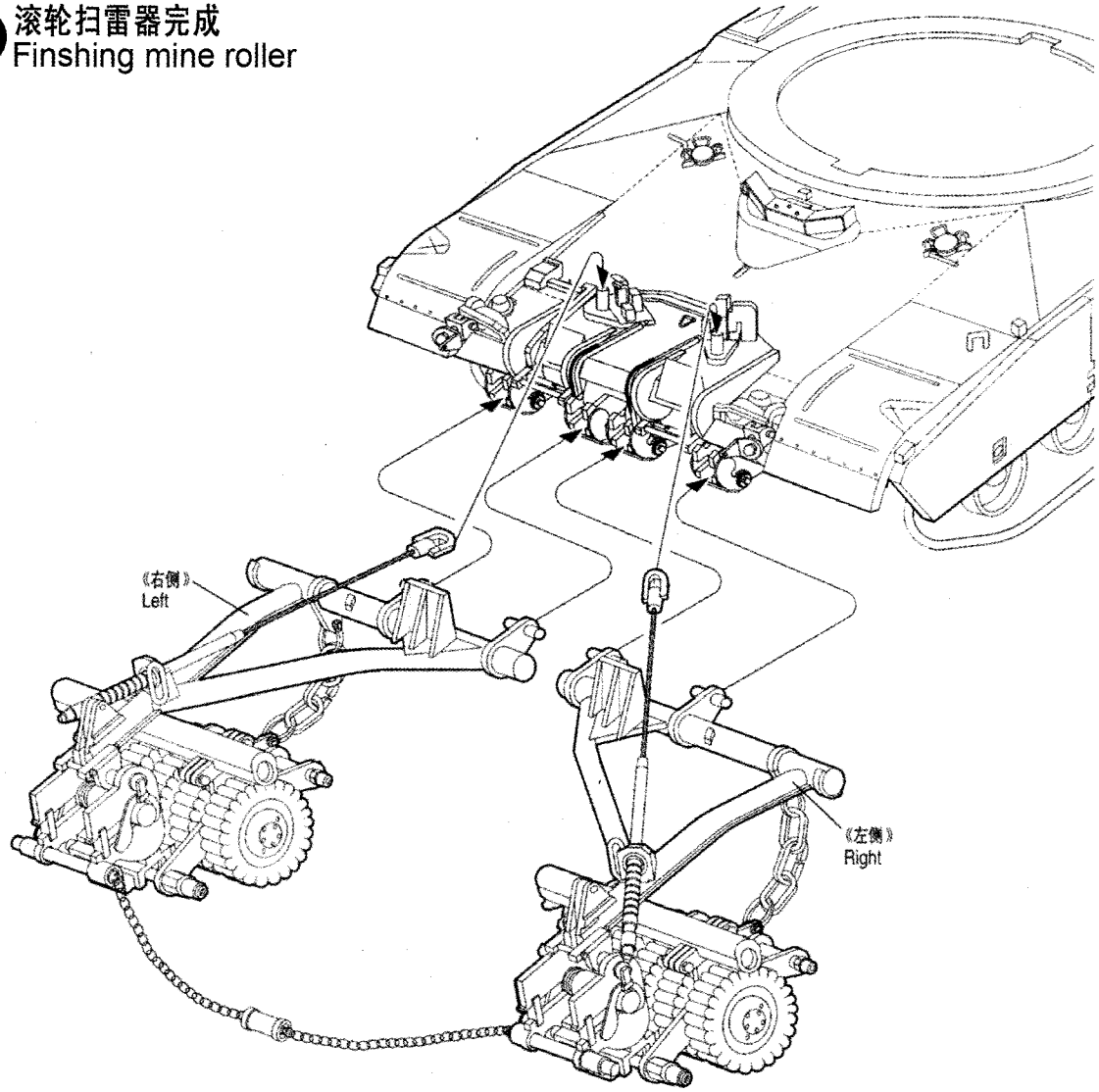
7 基座安装
Mount base installation



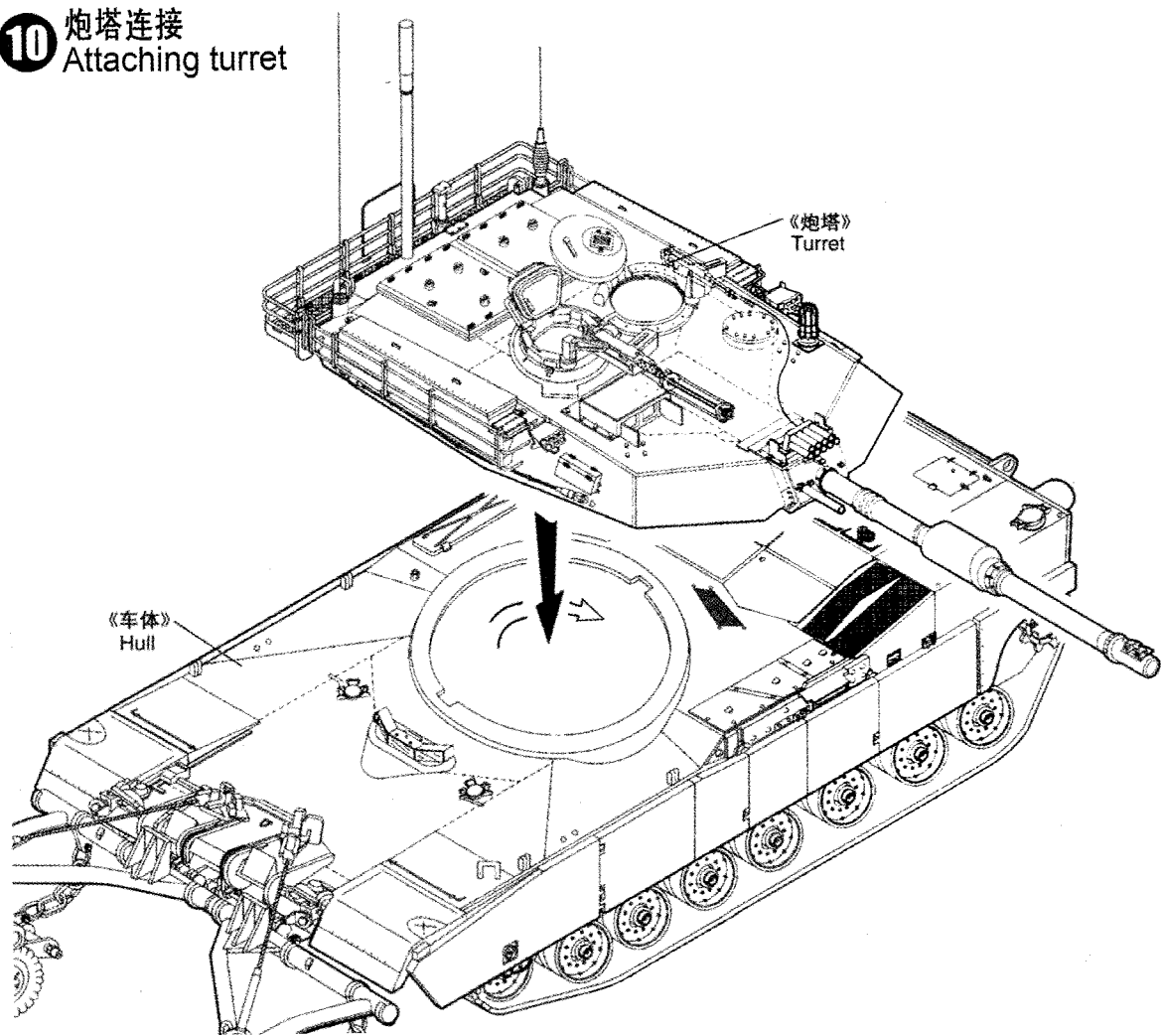
8 部件组装
Parts assembly



9 滚轮扫雷器完成
Finishing mine roller



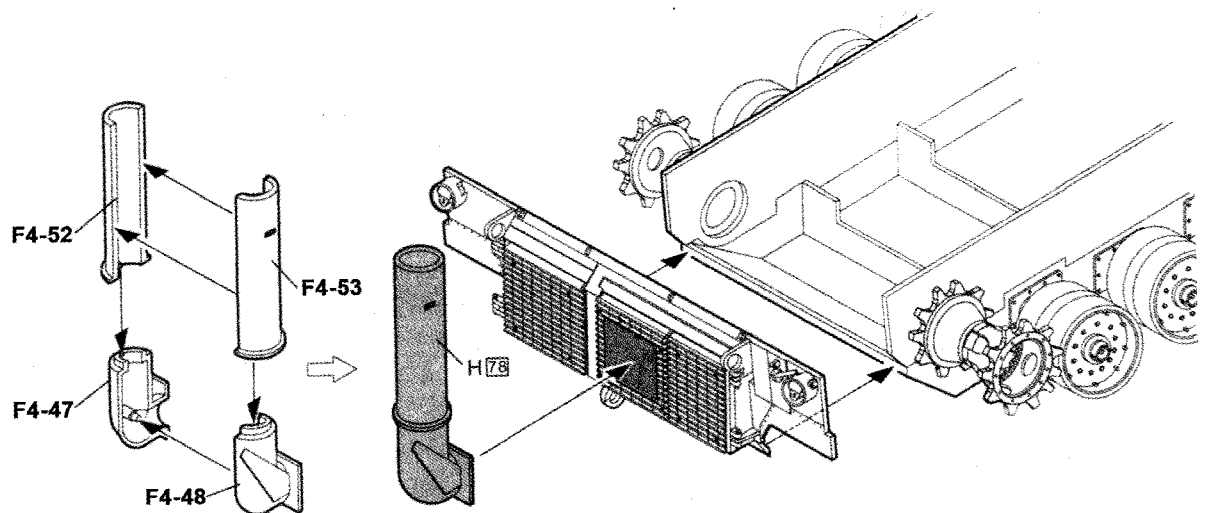
10 炮塔连接
Attaching turret



D M1A1HA带TWMPW扫雷犁型组装
M1A1HA W/Twmp assembly

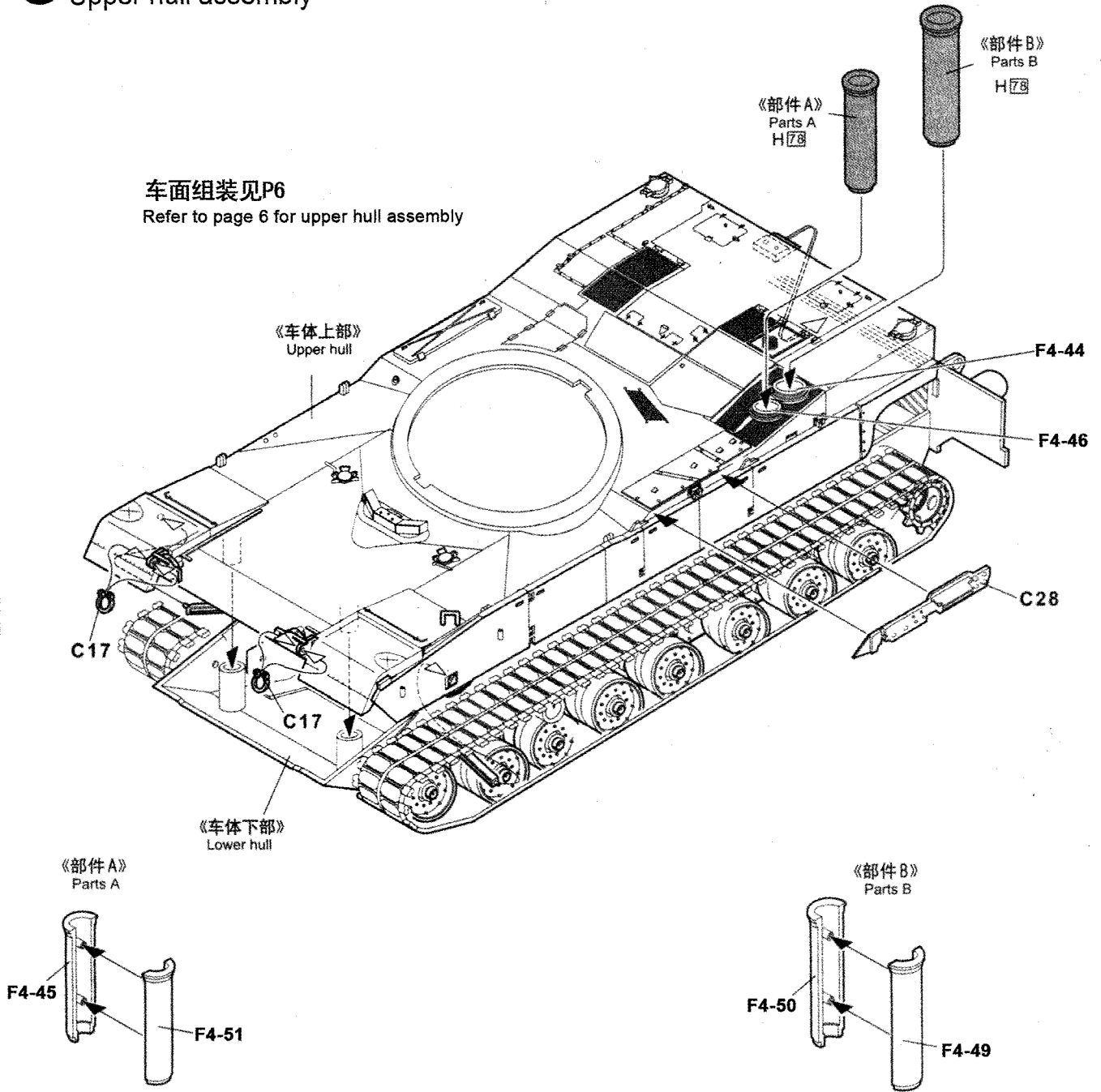
? 选择
Optional

1 后板安装
Rear oabel installation



2 车体上部组装
Upper hull assembly

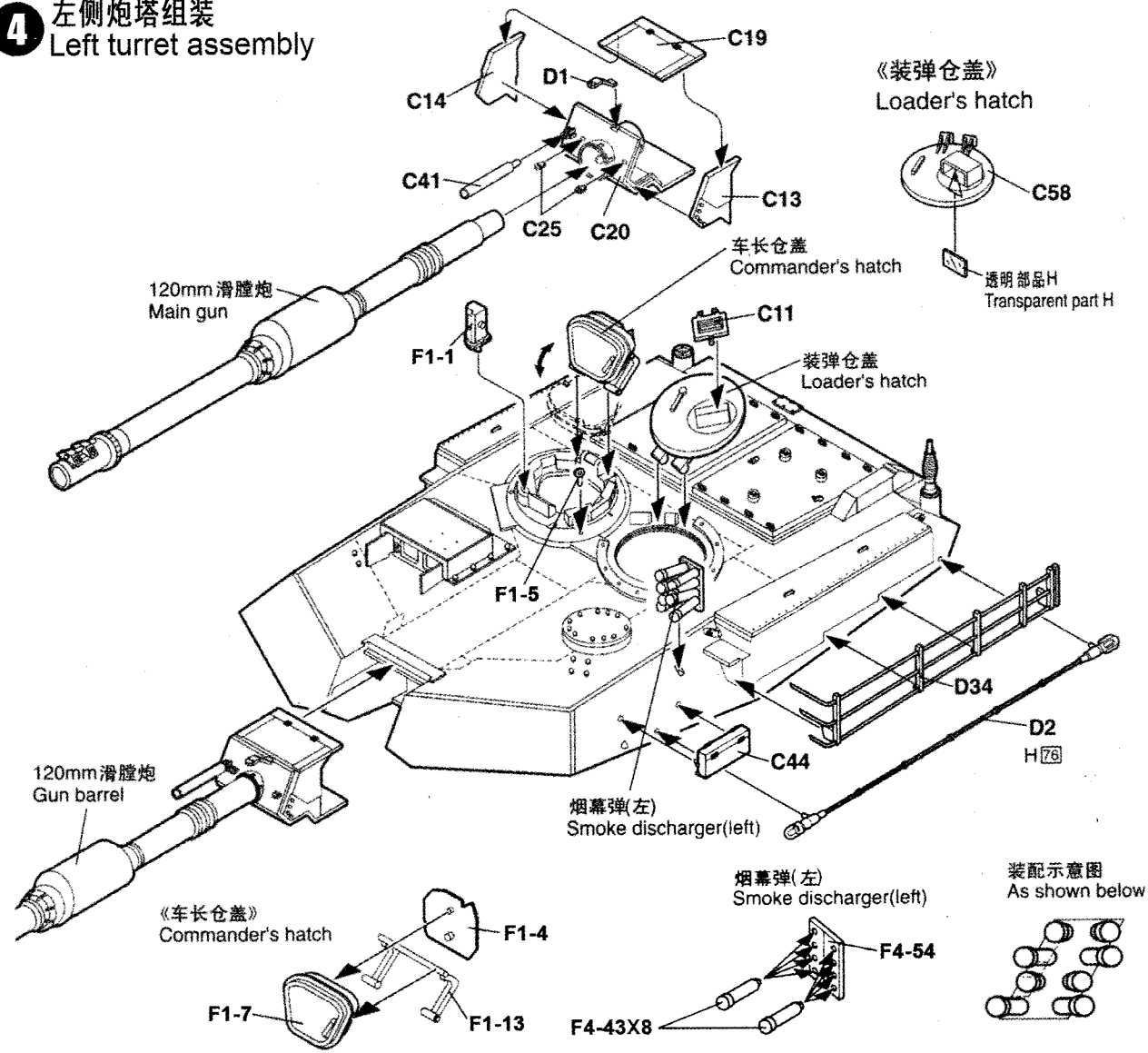
车面组装见P6
Refer to page 6 for upper hull assembly



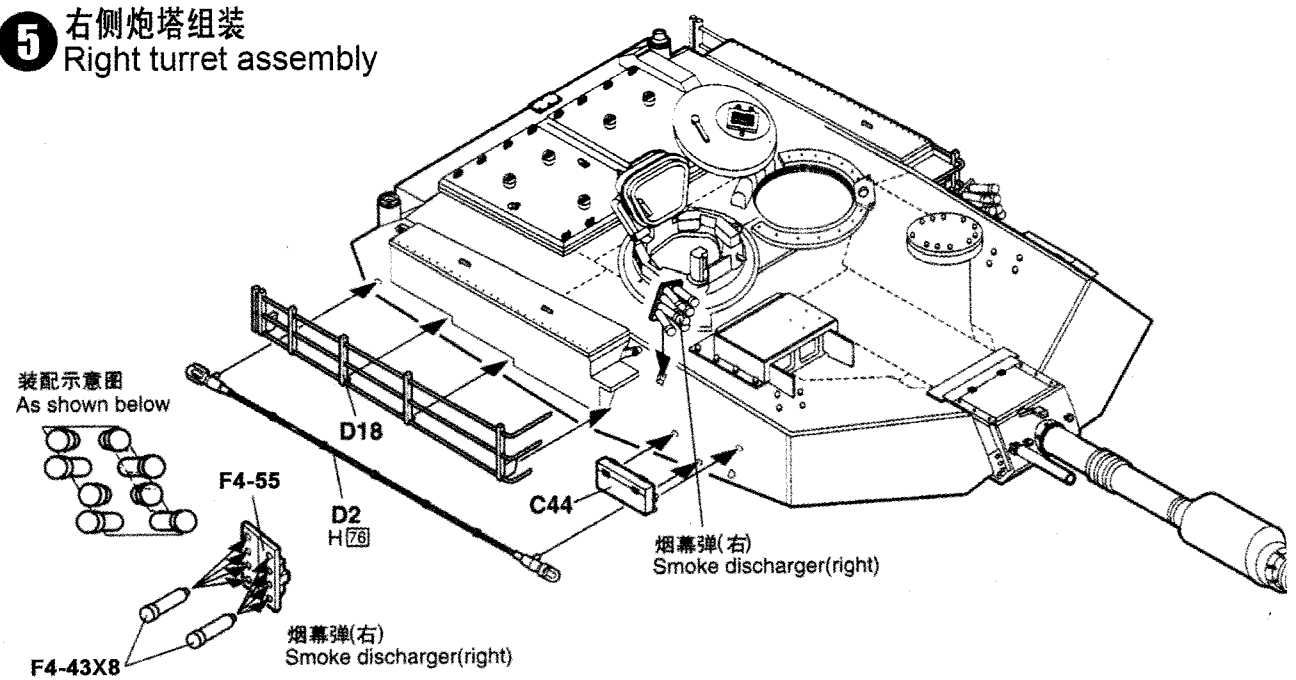
3 炮塔组装
Turret assembly

炮塔组装见P17
Refer to page 17 for turret assembly

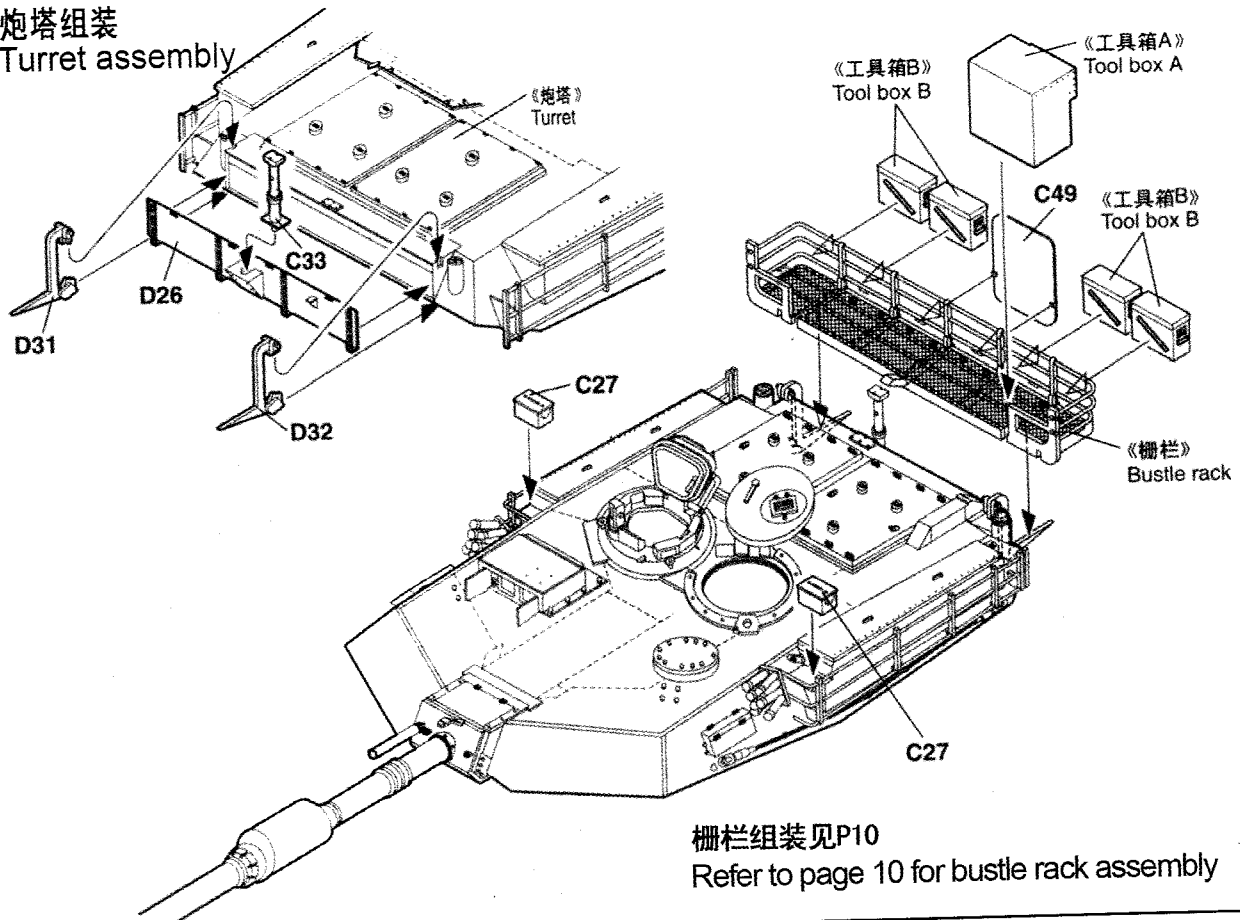
4 左侧炮塔组装
Left turret assembly



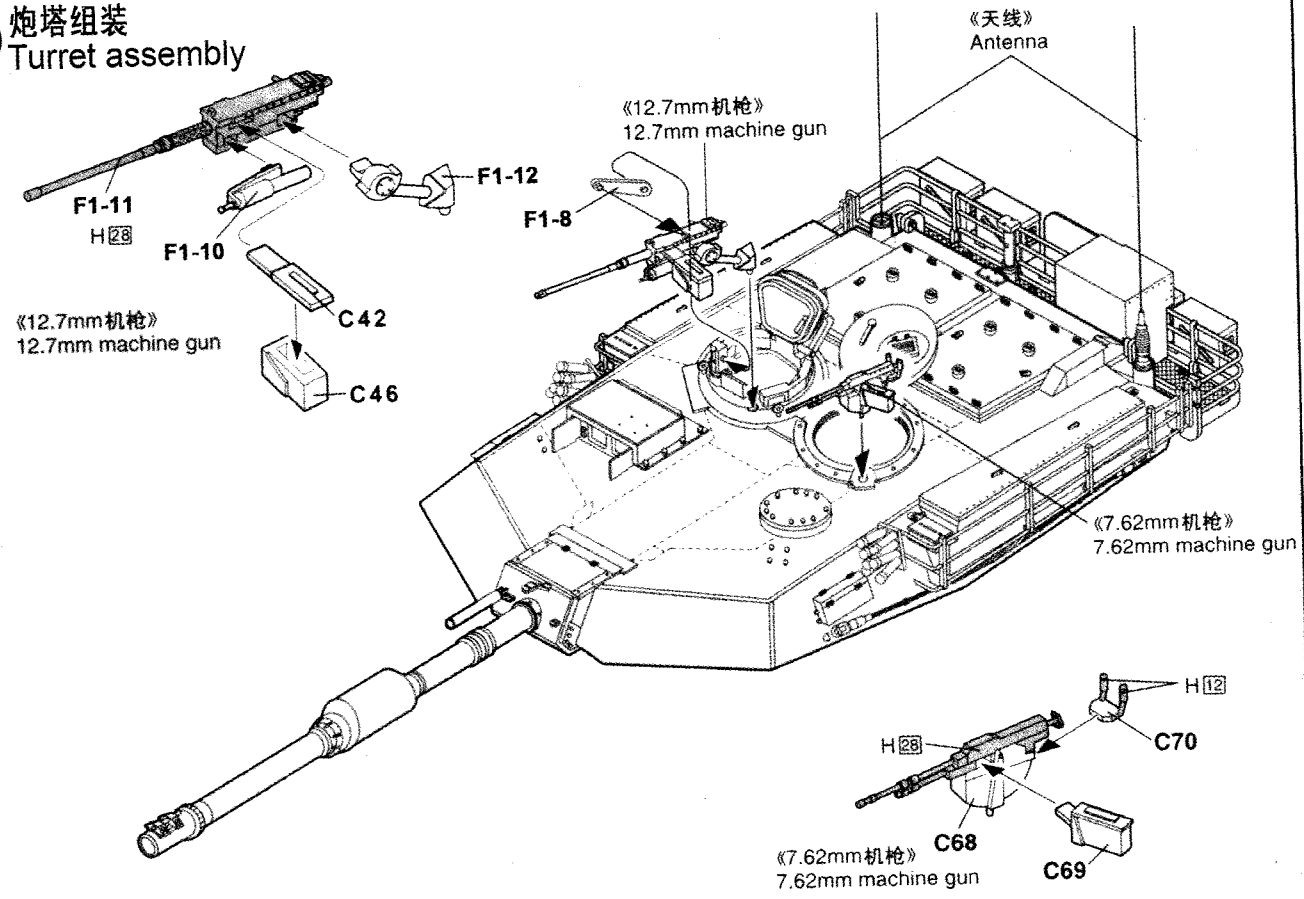
5 右侧炮塔组装
Right turret assembly



6 炮塔组装
Turret assembly

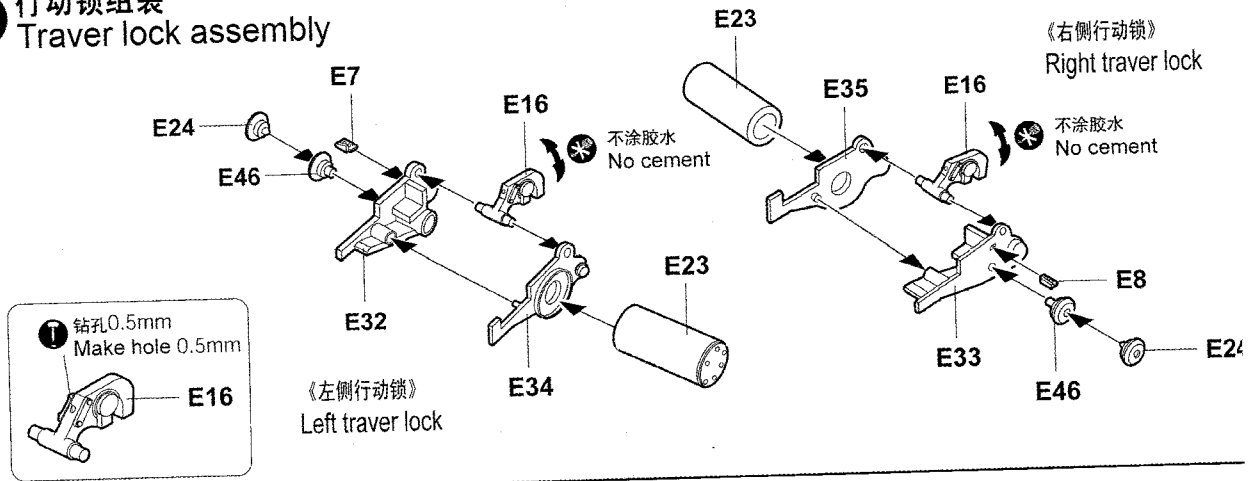


7 炮塔组装
Turret assembly

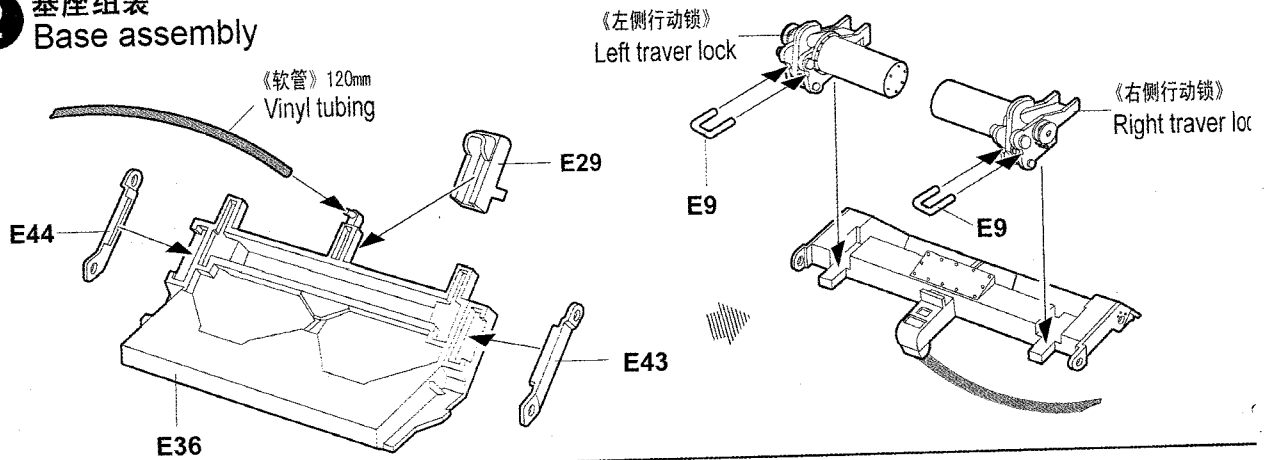


犁刀扫雷器组装
Plow mine assembly

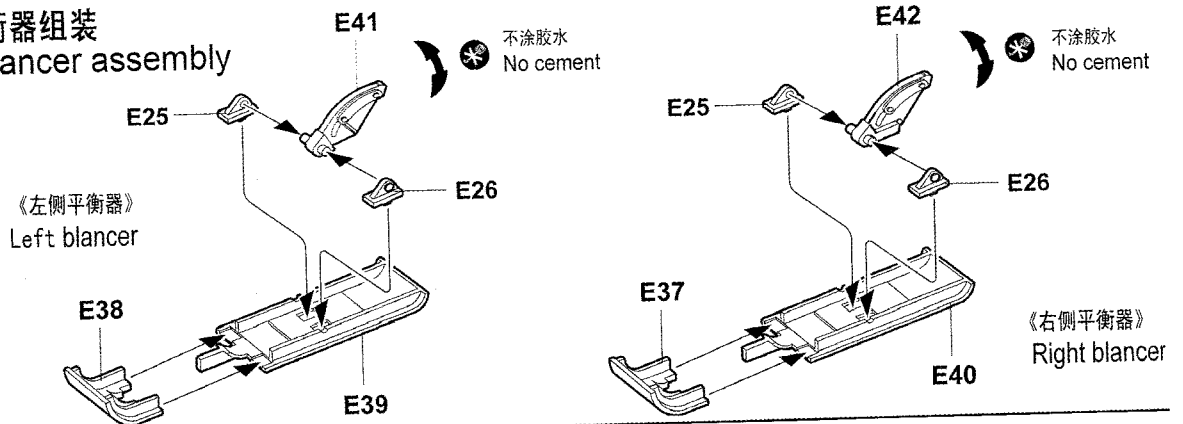
1 行动锁组装
Traver lock assembly



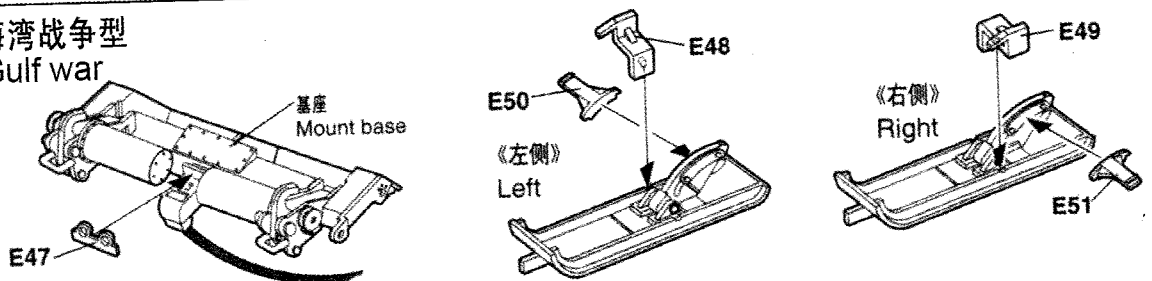
2 基座组装
Base assembly



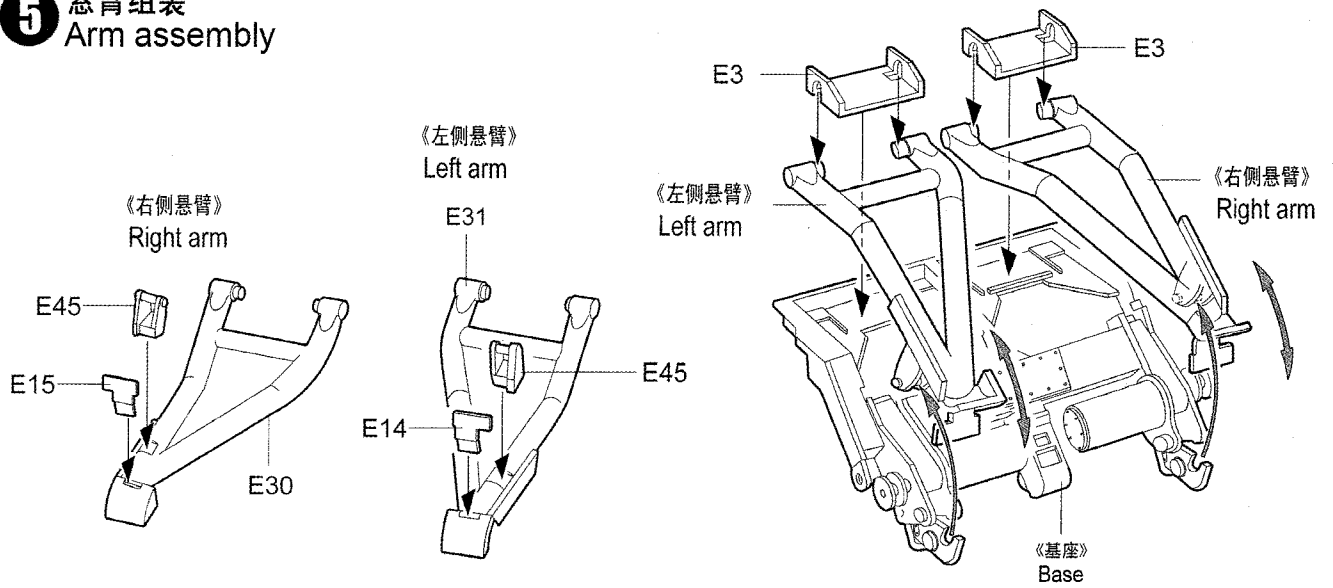
3 平衡器组装
Balancer assembly



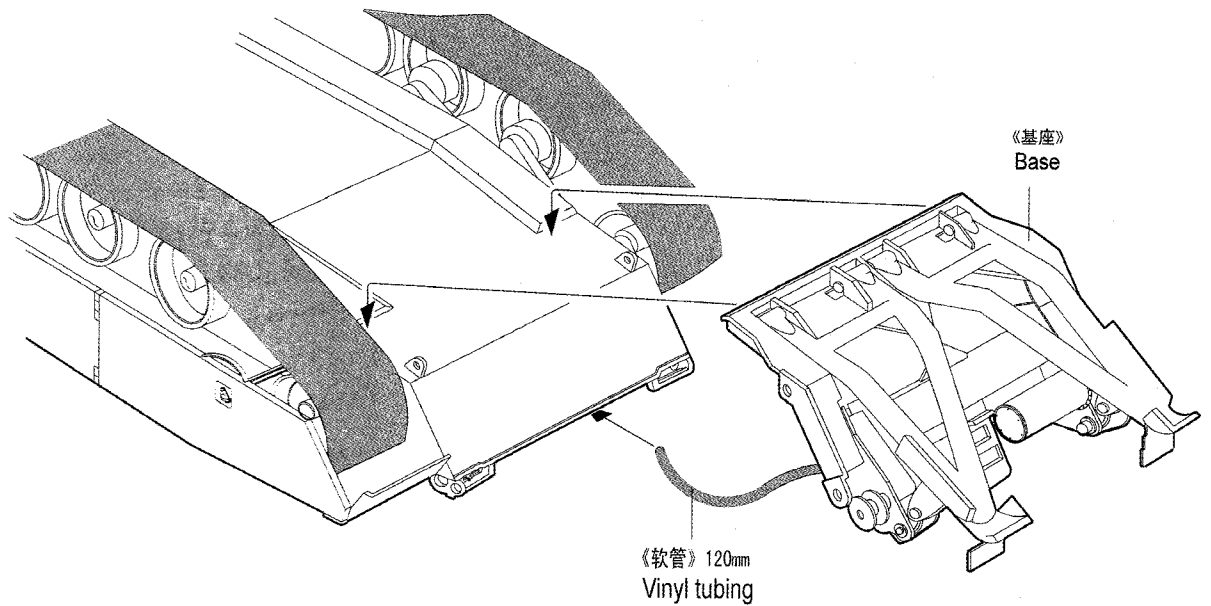
4 海湾战争型
Gulf war



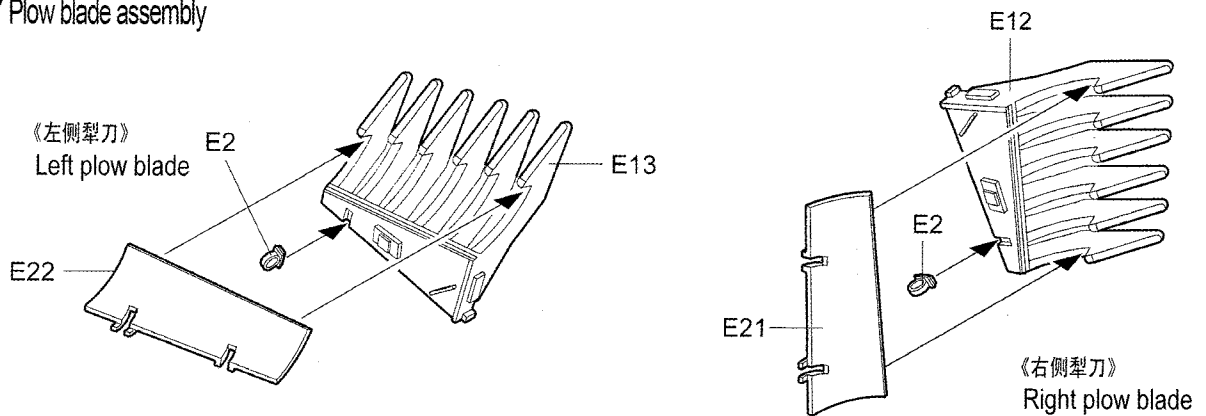
5 悬臂组装
Arm assembly



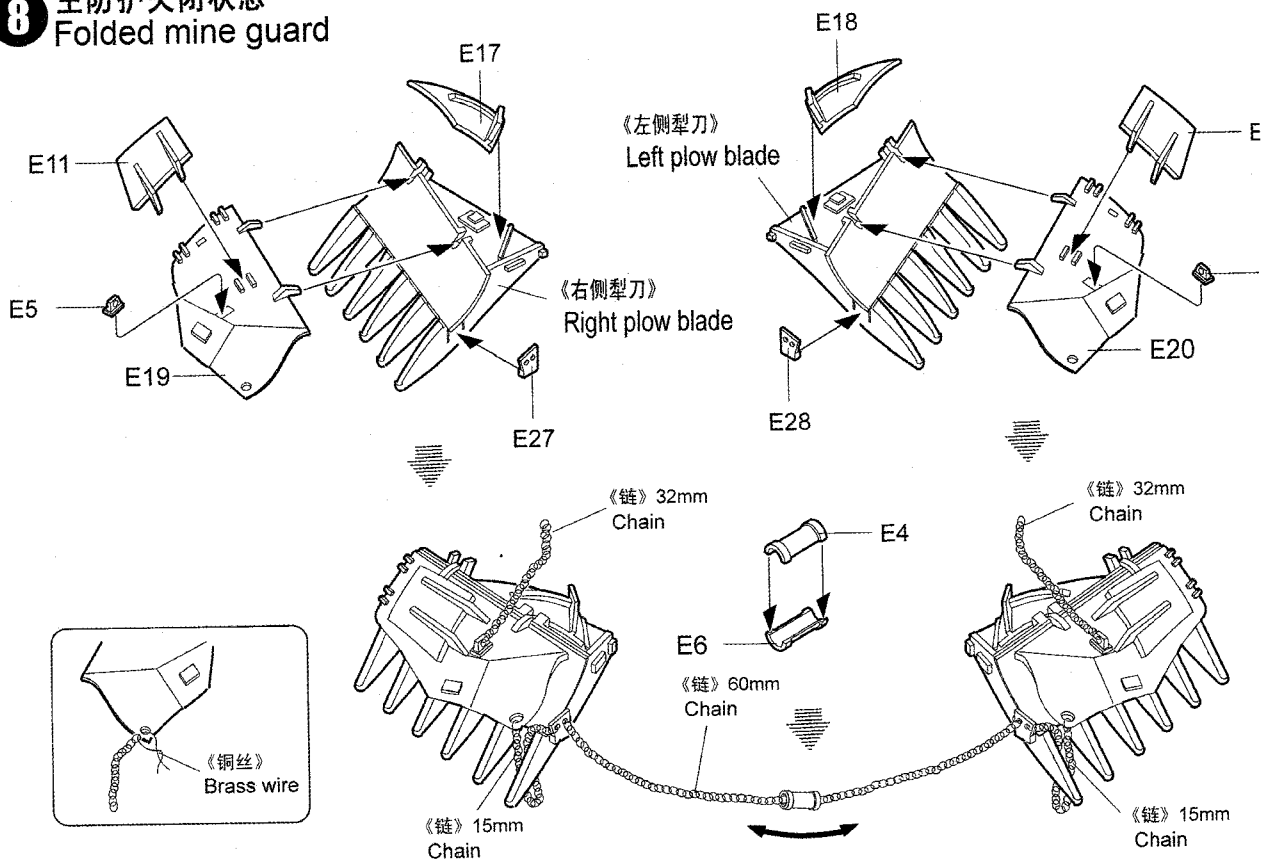
6 基座安装
Base installation



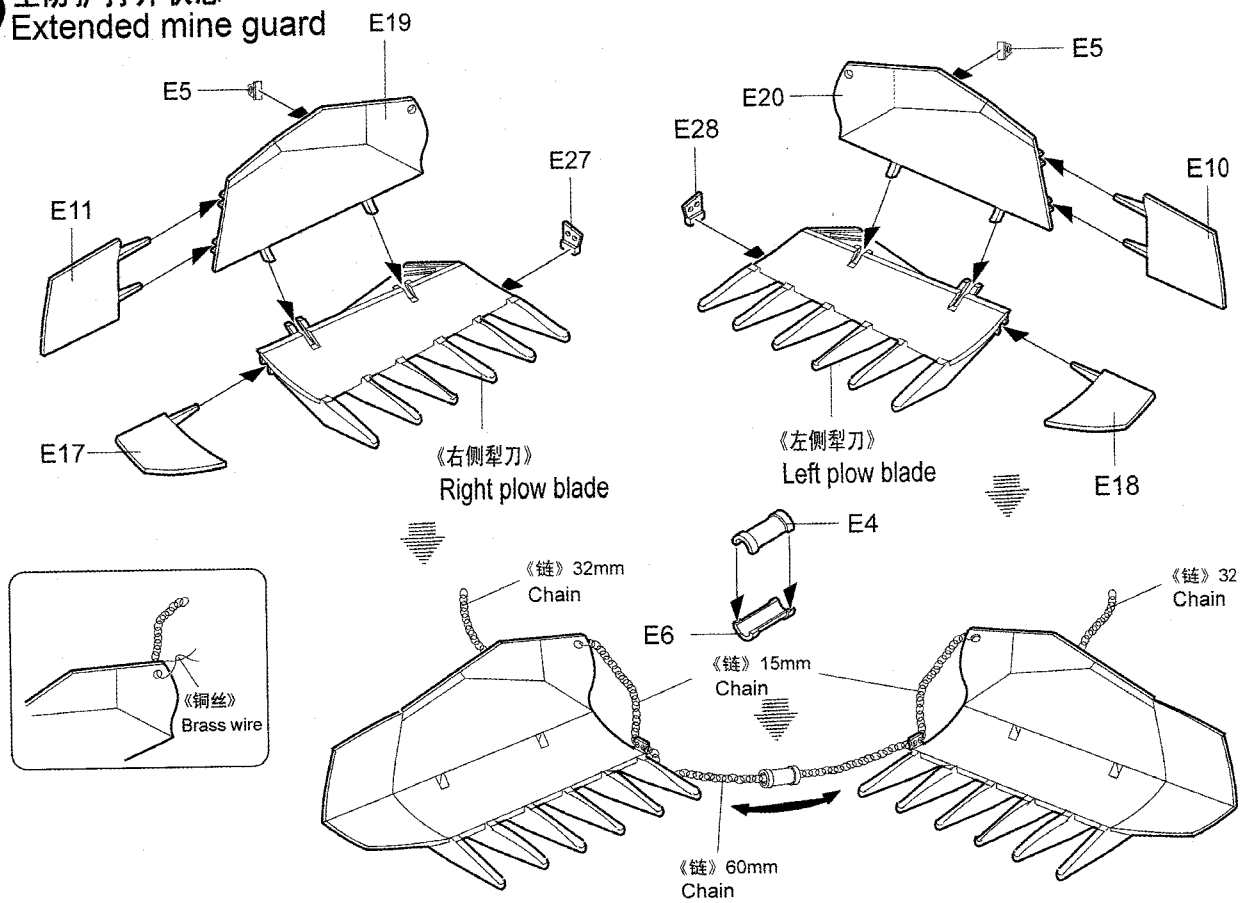
7 犁刀组装
Plow blade assembly



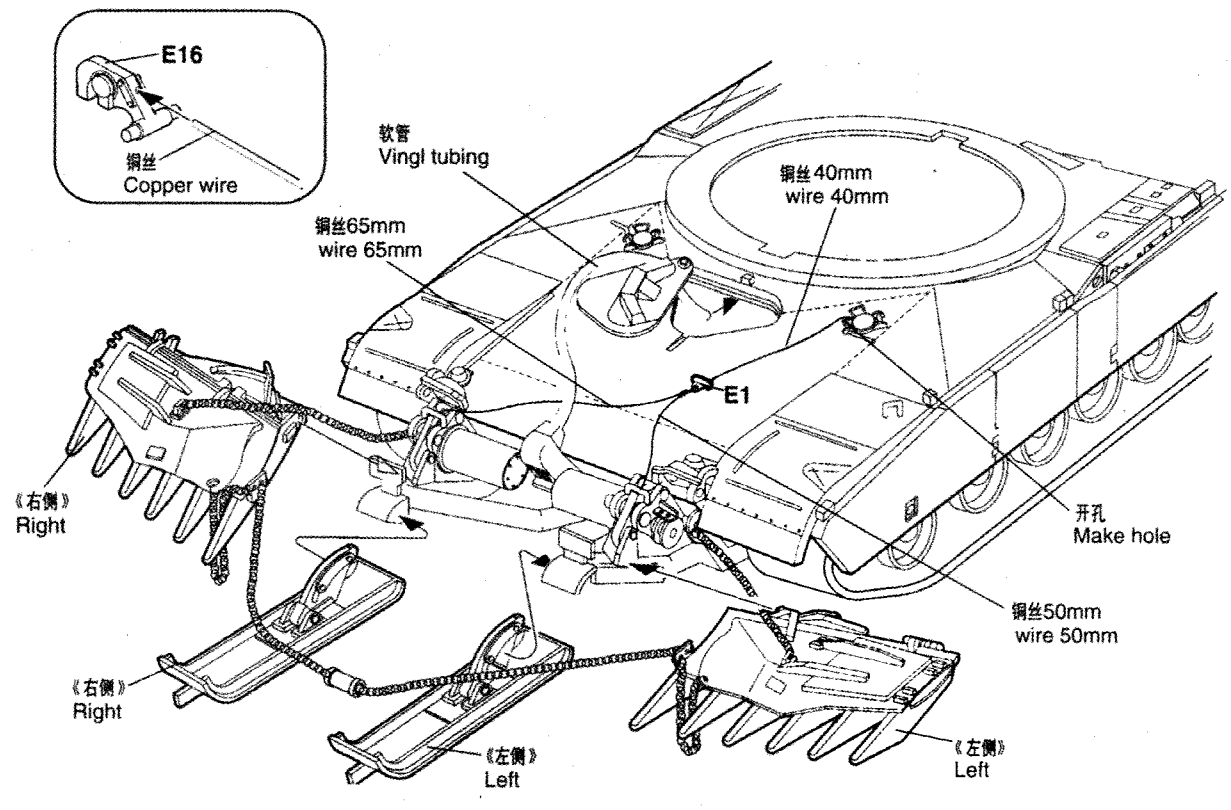
8 主防护关闭状态
Folded mine guard



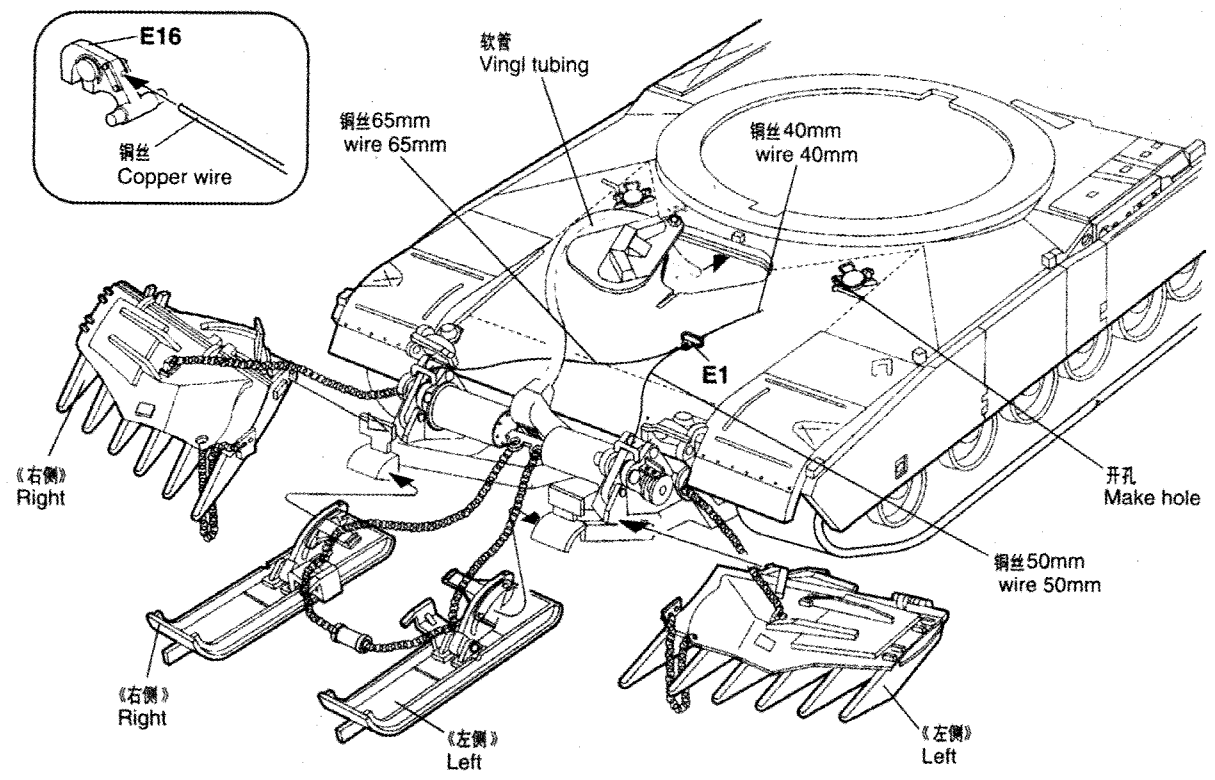
9 主防护打开状态
Extended mine guard



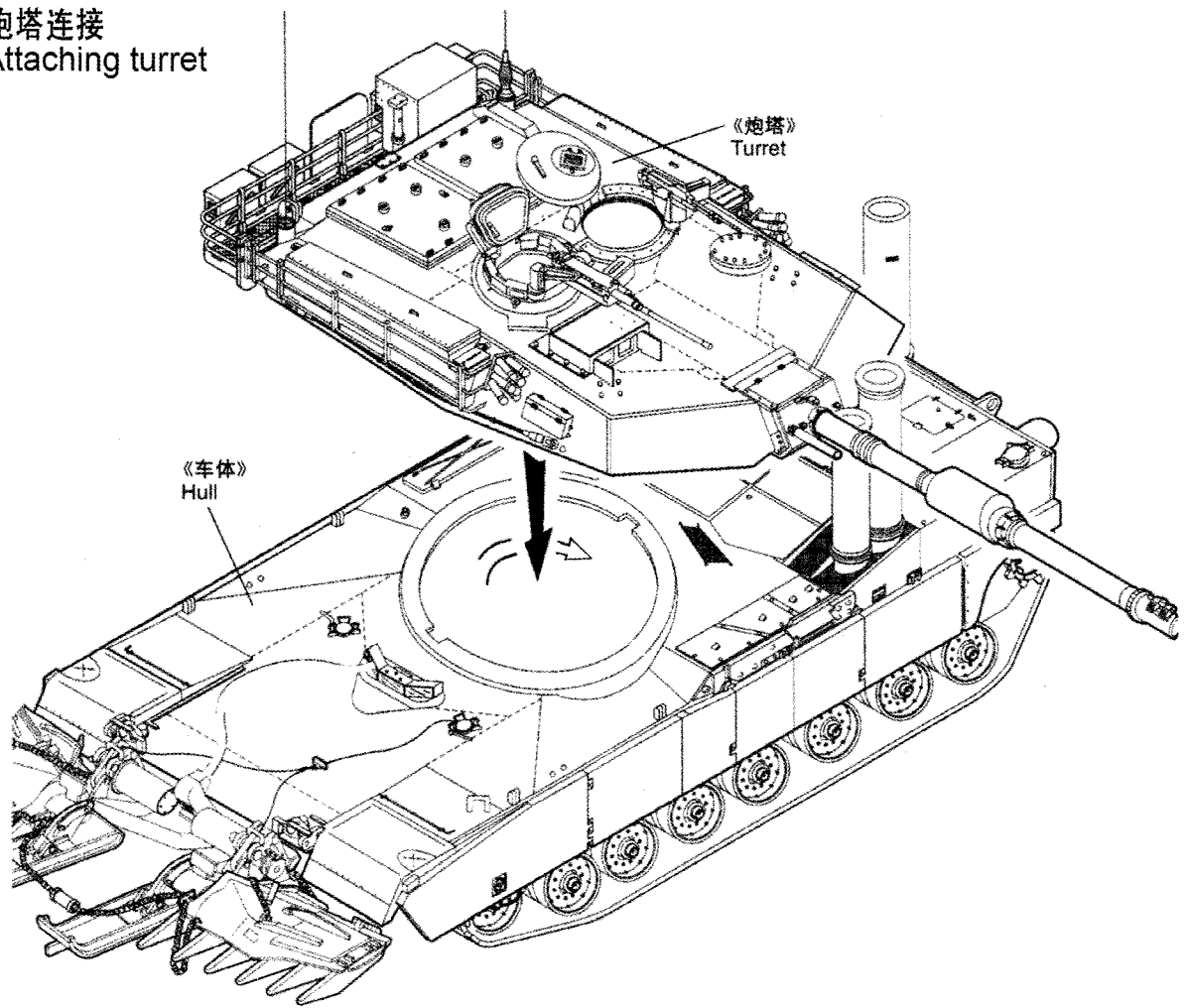
10 犁刀安装
Attaching blades



11 犁刀安装 (海湾战争使用)
Attaching blades (used in Gulf war)



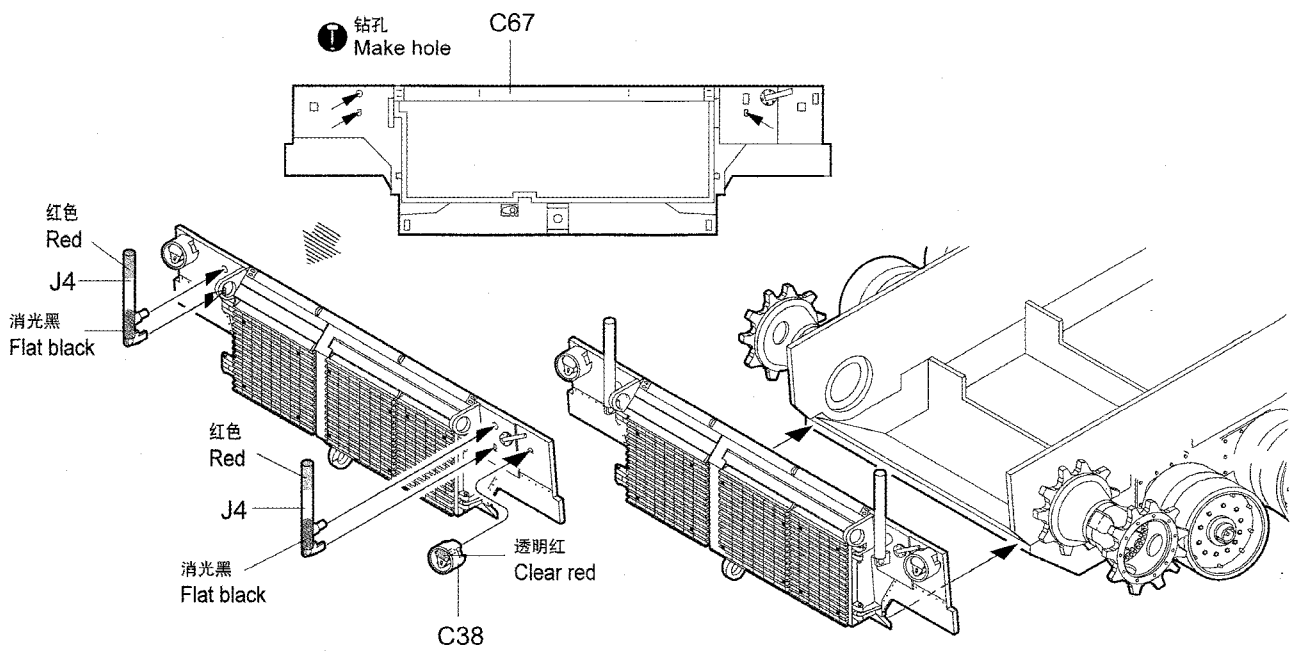
8 炮塔连接
Attaching turret



E M1黑豹II型组装
M1 Pantner II assembly

? 选择
Optional

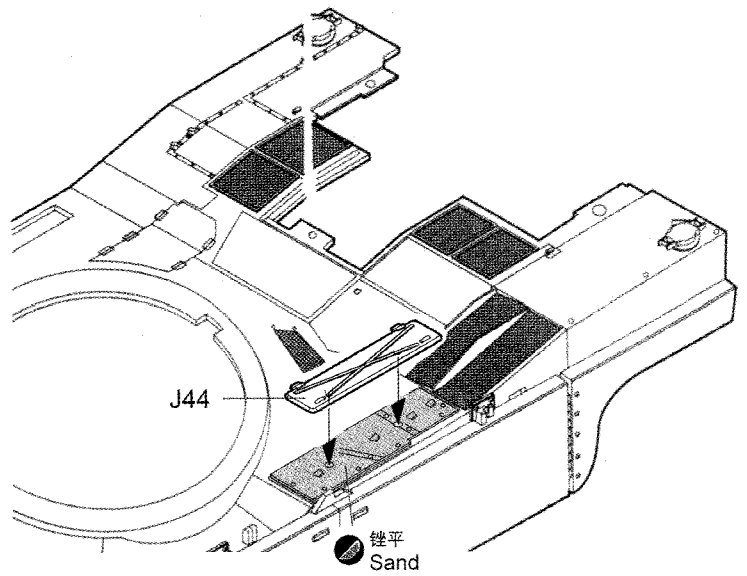
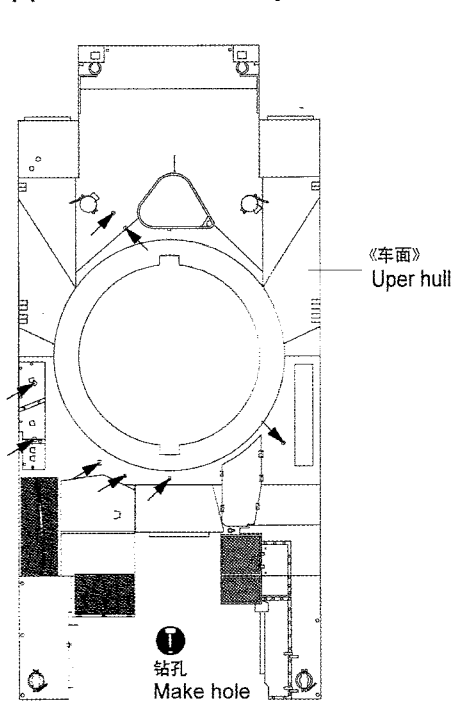
1 后板组装
Rear panel assembly



01535

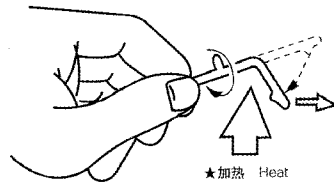
32

2 车面上体组装
Upper hull assembly



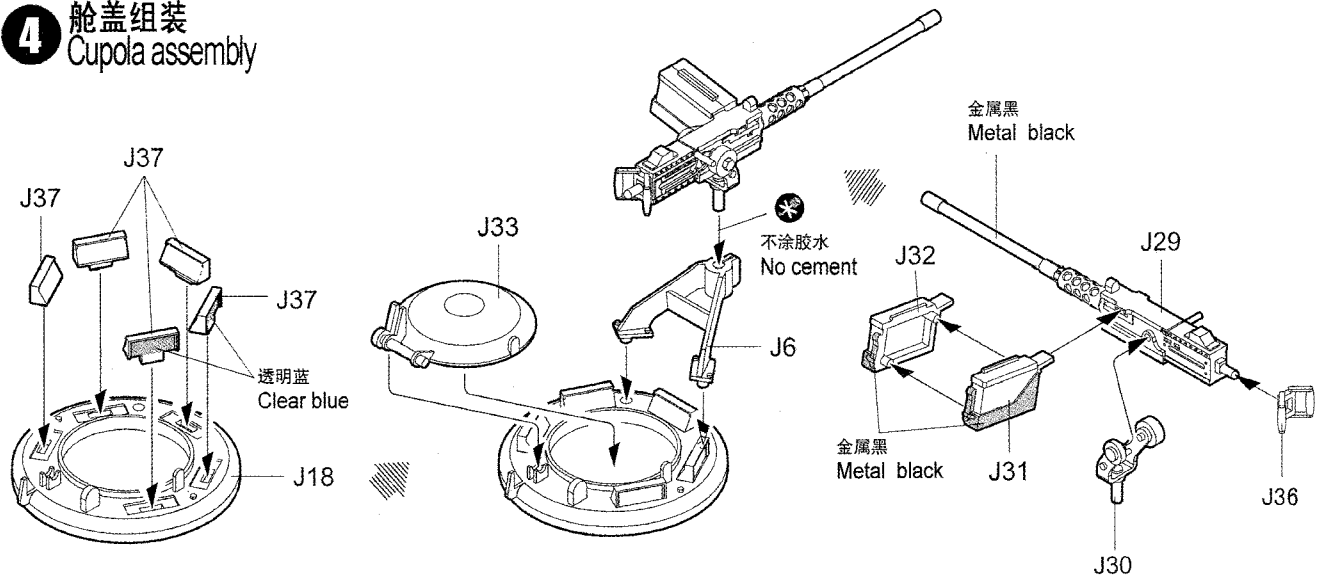
车面组装见P6
Refer to page 6 for upper hull assembly

3 天线制作
How to make antenna

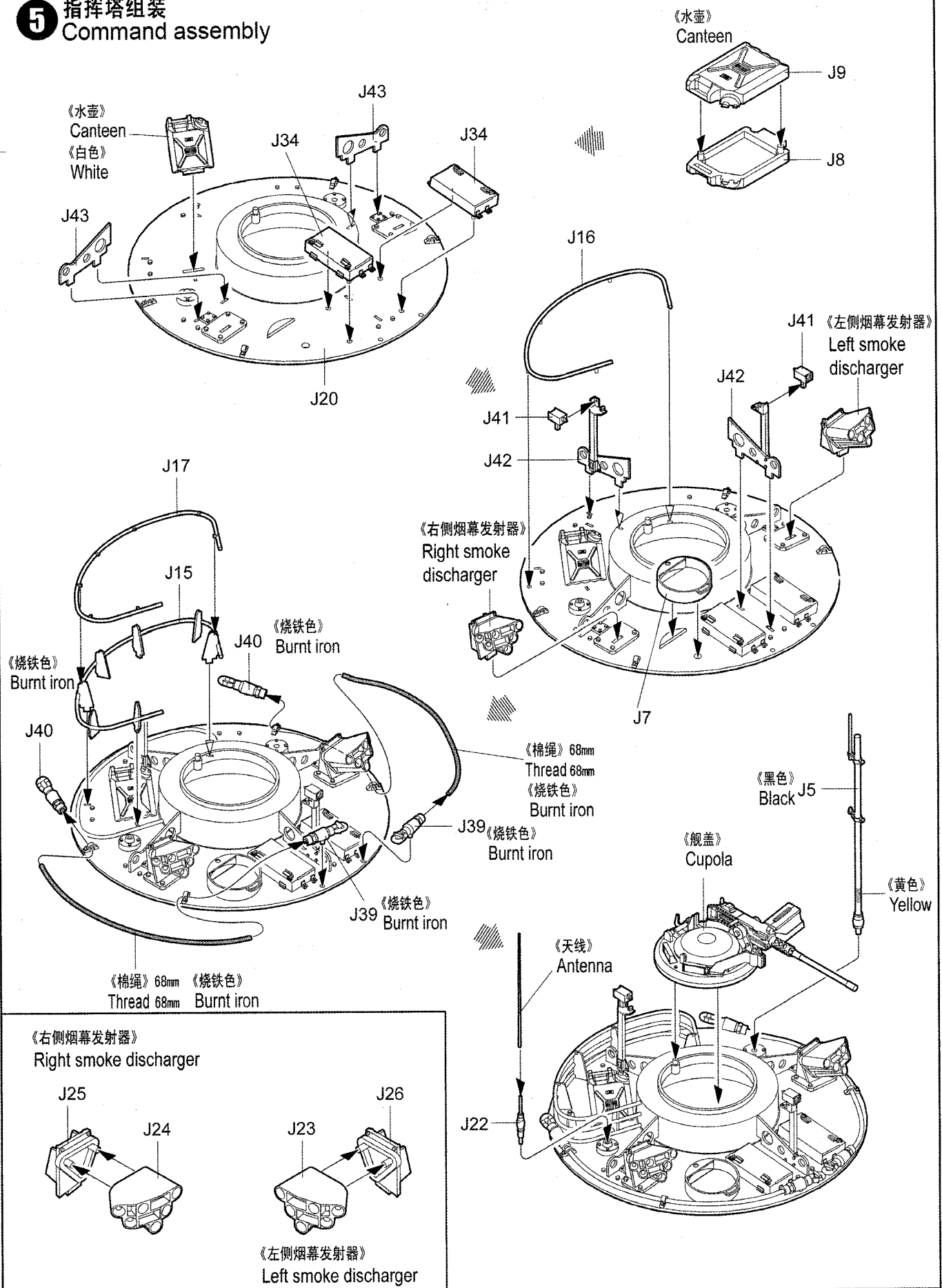


★加热流道，拉线冷却，冷却后截成所需长度。
Heat sprue as shown, remove from flame and stretch allow to cool and cut to required length.

4 舱盖组装
Cupola assembly

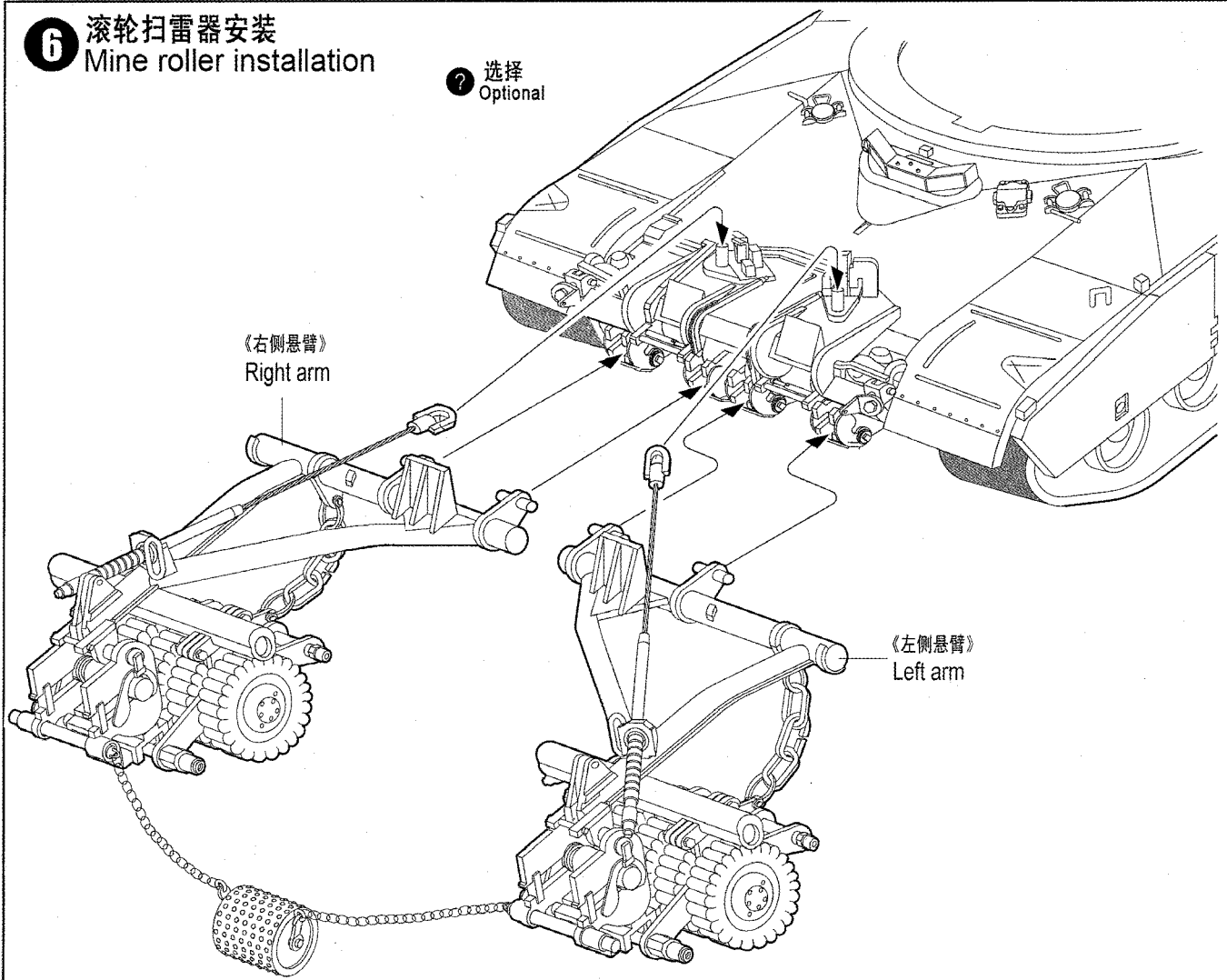


5 指挥塔组装 Command assembly



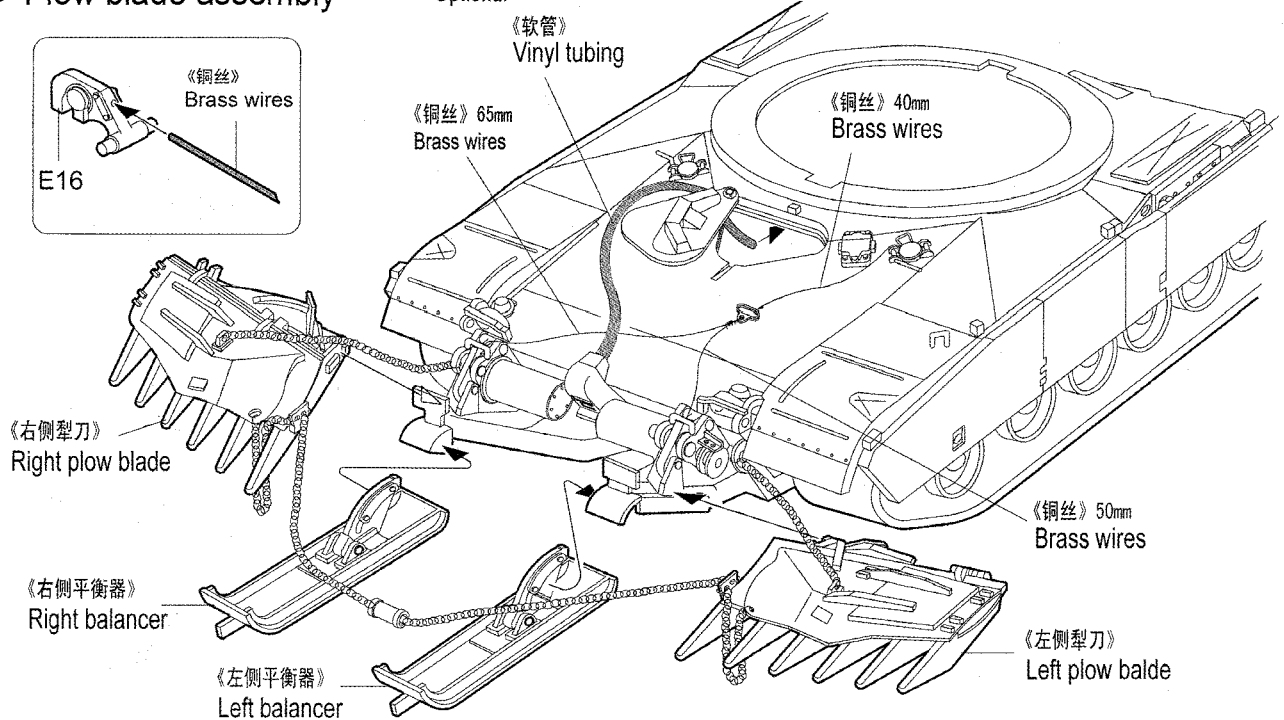
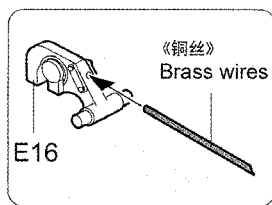
6 滚轮扫雷器安装 Mine roller installation

② 选择
Optional

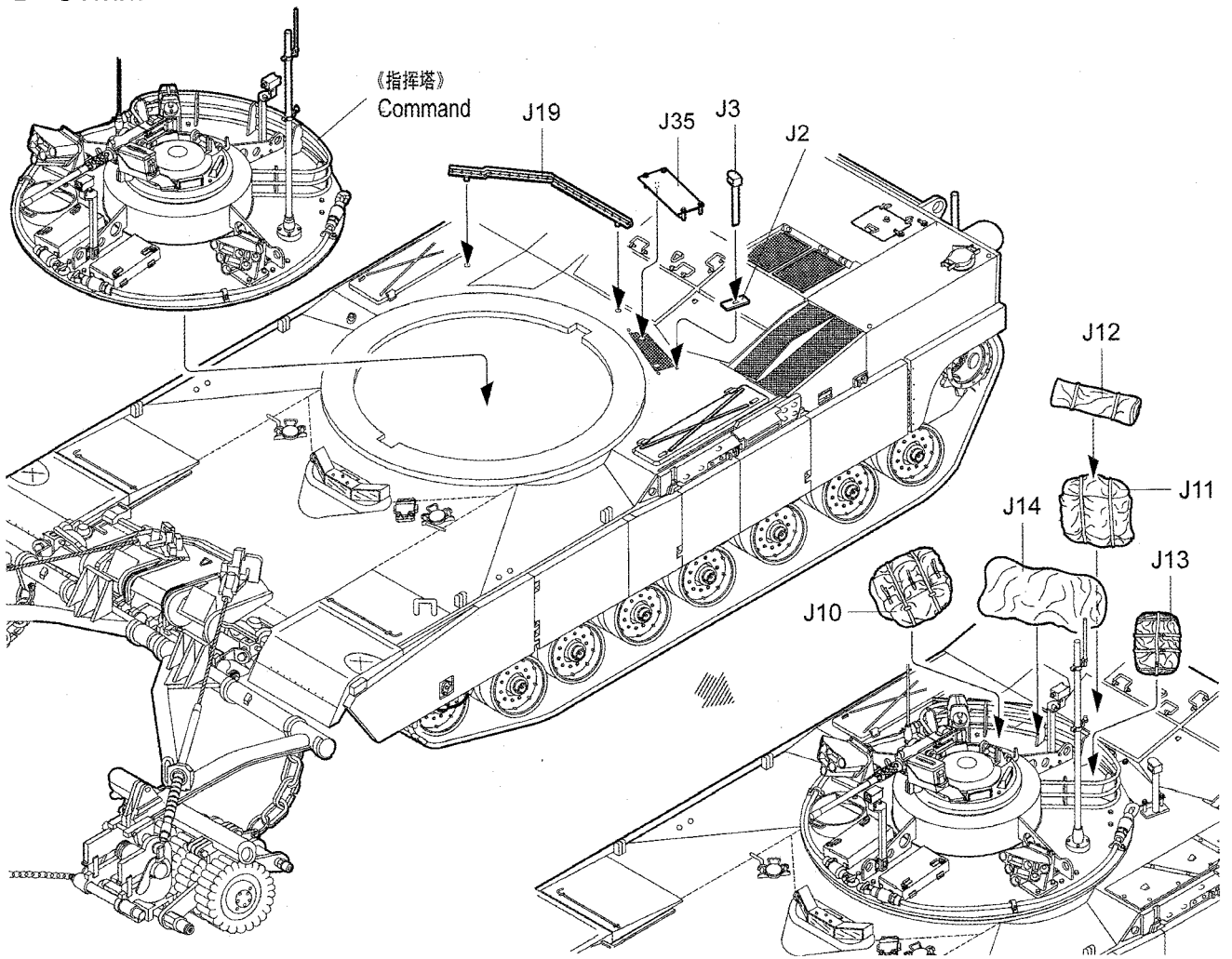


7 犁刀组装 Plow blade assembly

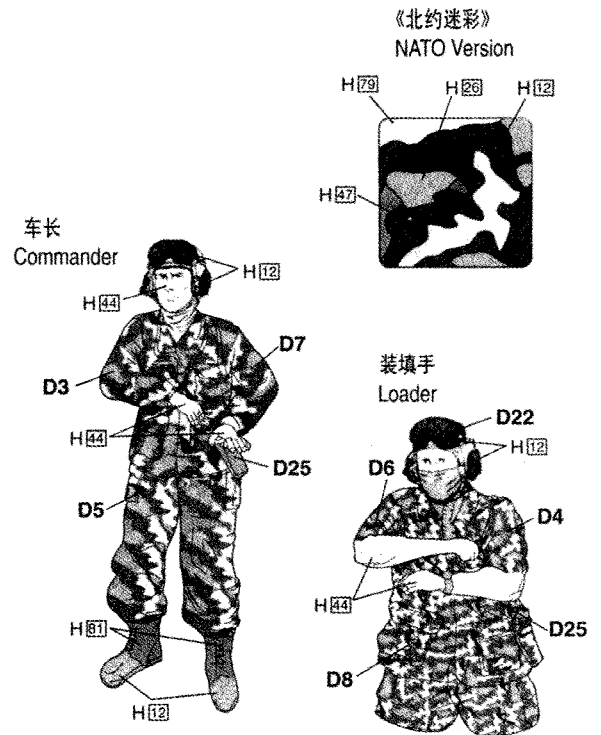
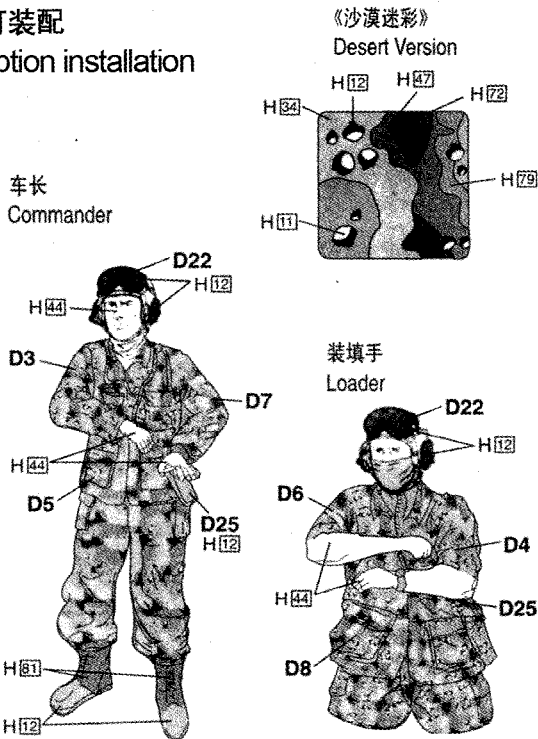
② 选择
Optional



8 指挥塔安装 Command installation



①—④ 可装配
①—④ option installation



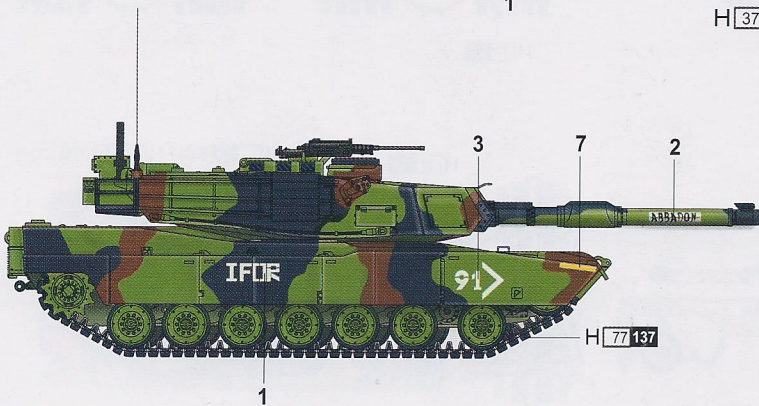
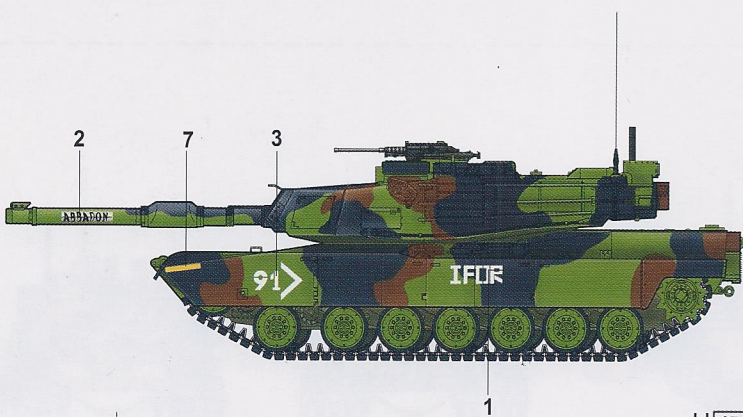
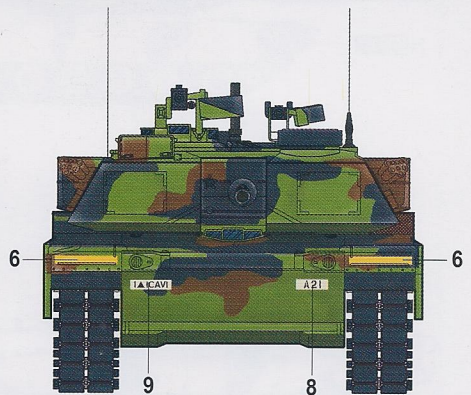
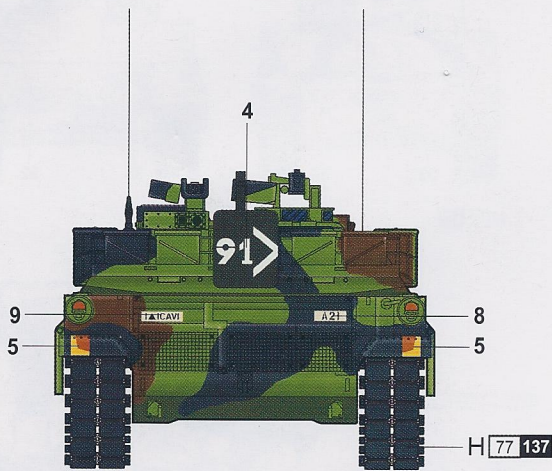
涂装同标贴指示 Painting & Marking guide

A M1A1HA

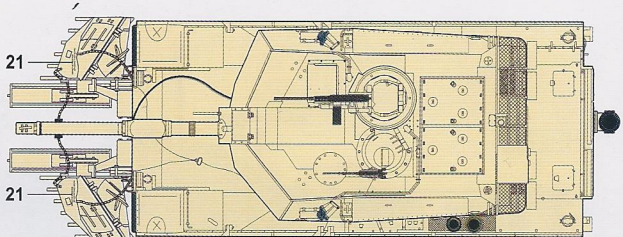
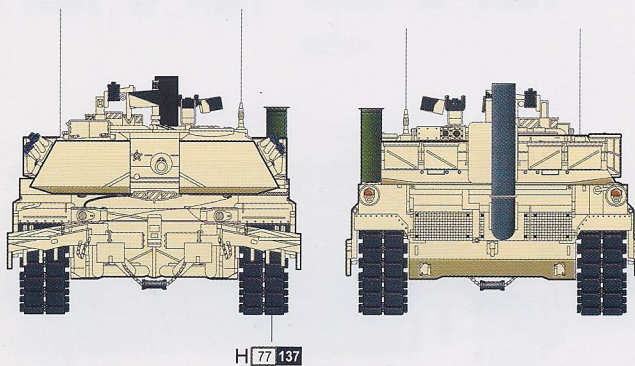
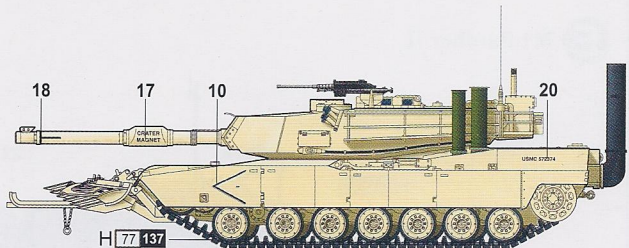
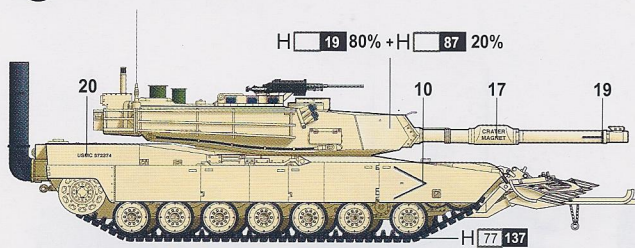
PAINT REFERENCE COLOUR

H X AQUEOUS HOBBY COLOR X Mr. COLOR

Color	Mr.Hobby	Vallejo	Model Master	Tamiya	Humbrol
Medium Grey Green 绿色	H 312 312	-	1716	-	120
Wood Brown 木棕色	H 37 43	983	1701	-	186
Tire Black 胎黑色	H 77 137	-	-	-	-
Sandy Brown 沙棕色	H 19	-	-	-	-
Copper 铜色	H 10 10	999	1551	XF6	12
浅奶油黄	H 87	-	-	-	-
Forest Green 绿色	H 309 309	893	1710	XF58	116
Light Green 绿色	H 303 303	-	1713	XF20	117

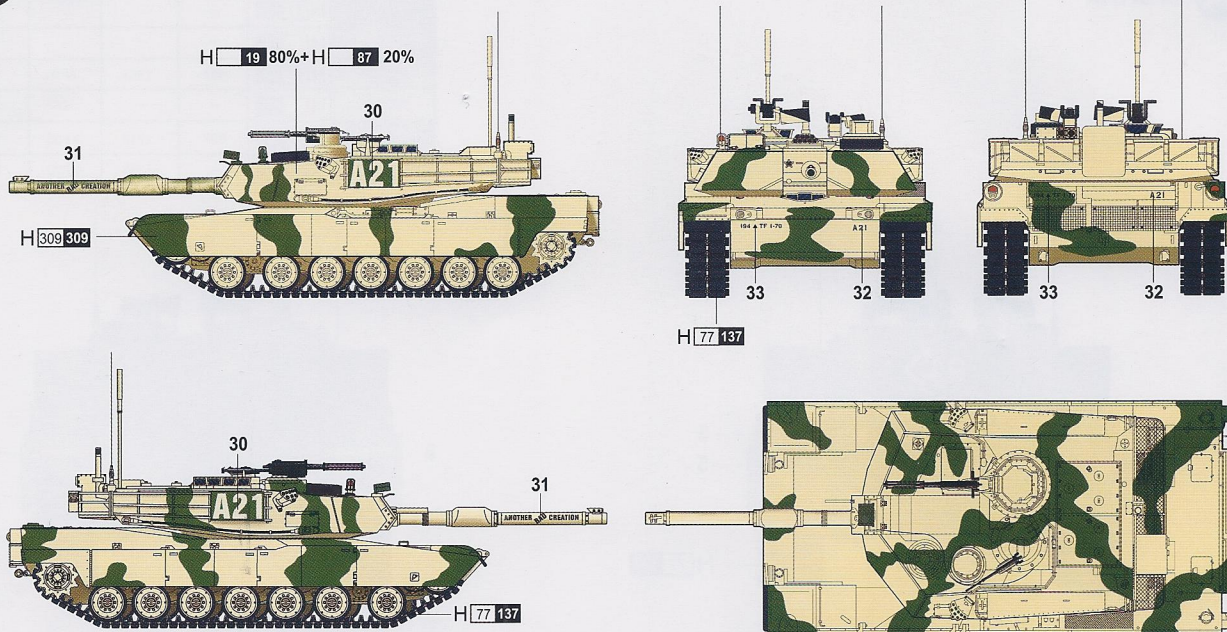


D M1A1HA w/Twmp

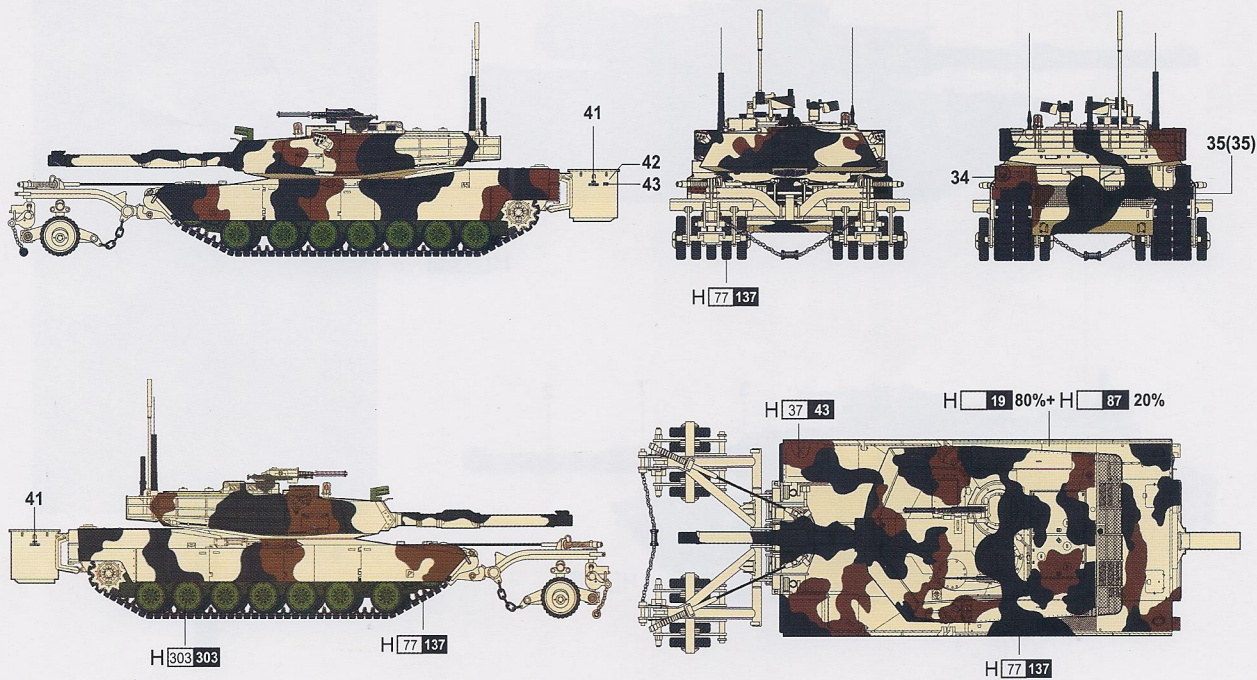


涂装同标贴指示
Painting & Marking guide

B M1A2



C M1A1HA w/Mine roller



E M1 Panther II

