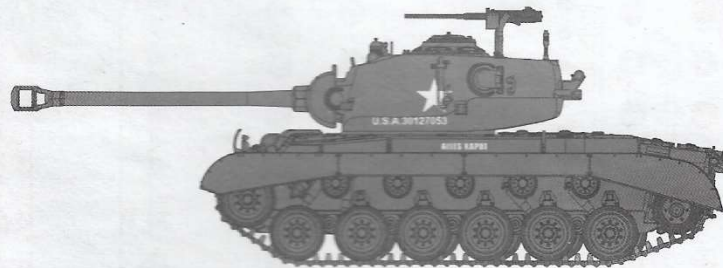


1/72 SCALE

ITEM NO.:07264

US M26 Pershing Heavy Tank

美国M26“潘星”重型坦克



READ BEFORE ASSEMBLY:

装配之前仔细阅读

- |   |  |
|---|--|
| <ul style="list-style-type: none"> <li>● Study and understand these instructions thoroughly before beginning assembly</li> <li>● When needed, remove photo-etch parts carefully using a modeling knife or photo etch sprue cutter, being careful not to damage or lose small parts.</li> <li>● Take extra care in handling photo etch parts in order to avoid injury</li> <li>● Apply instant cement sparingly to photo etch parts where instructed</li> <li>● Tools recommended(not included in kit):Plastic and instant cements,sprue cutters,long nose pliers,modeling knife, small files, tweezers, pin vise &amp; scissors. Soft cloth and sandpaper will also assist in construction</li> <li>● Glue and paint are not included in the kit. Use plastic cement and hobby paints only. Color guide for purchasing paint is included in the kit.</li> </ul> | <ul style="list-style-type: none"> <li>● 小心用模型锉刀锉平所有零件表面的注射浇口。</li> <li>● 小心用刀片切下蚀刻片零件，不要遗失小零件。</li> <li>● 用强力快干胶水粘合蚀刻片零件和金属轴，过量的快干胶水使用可能导致可动零件会粘住，小心涂胶。</li> <li>● 取蚀刻片时应特别注意安全，防止利边划伤手指。</li> <li>● 某些零件表面需贴上水贴纸，请选择在装配的同时进行。</li> <li>● 推荐模型工具(自备)：胶水，水口剪刀，长咀钳，刀片，锉刀，镊子，钳，钻，剪刀，瞬间快干胶。</li> <li>● 软布同砂纸同时也应该是必备工具。</li> <li>● 请使用塑料胶水和油漆，模型内不含。</li> </ul> |
|---|--|



cyanoacrylate glue  
使用强力胶



weight  
配重



make hole  
钻孔



cut / remove  
切除



bend  
弯曲



file / sand  
锉平



optional  
选择



no cement  
不涂胶水



decal  
贴纸

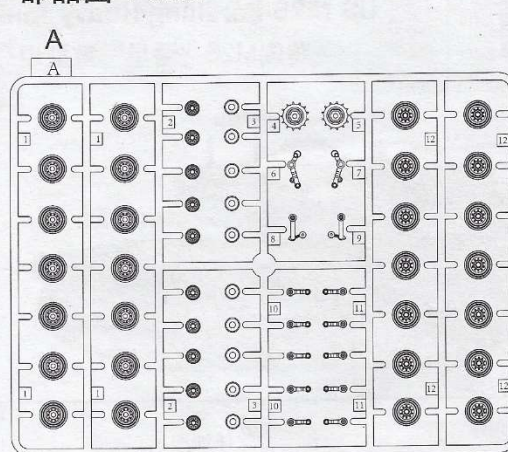
水贴纸的使用:

1. 从水贴上剪下印花;
2. 将印花放入温水中浸10秒，然后放在干净布上。
3. 拿着印花纸板将印花移到模型上;
4. 手指蘸水将印花移到适当的位置;
5. 用软布轻压印花直至水干，气泡消失。

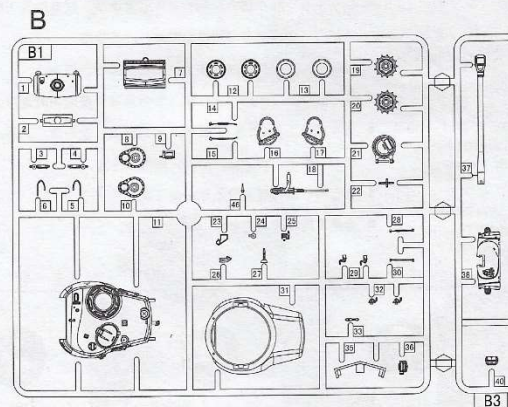
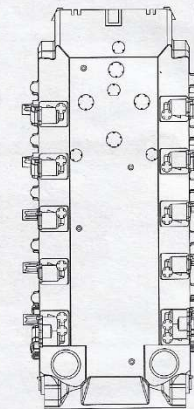
DECAL APPLICATION

1. Cut off decal from sheet.
2. Dip the decal in tepid water 40°C for about 10 sec. and place on a clean cloth.
3. Hold the backing sheet edge and slide decal onto the model.
4. Move decal into position by wetting decal with finger.
5. Press decal gently down with a soft cloth until excess water and air bubbles are gone.
6. Allow decal to dry completely before handling model.

部品图 Parts



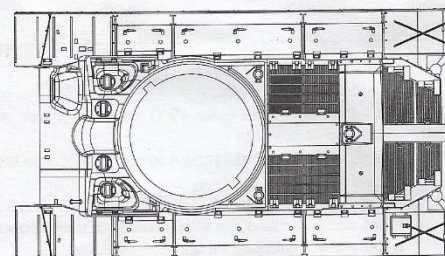
<<底盘>>  
Lower hull



<<履带>> × 2  
Track



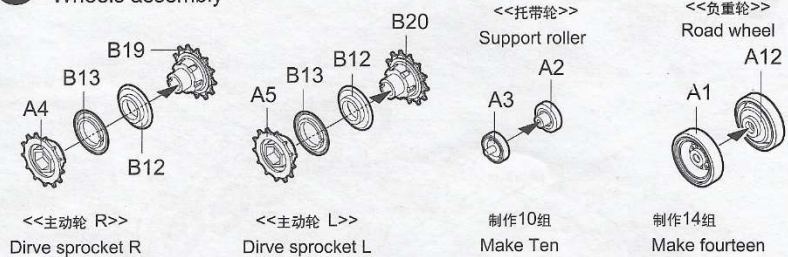
<<车面>>  
Upper hull



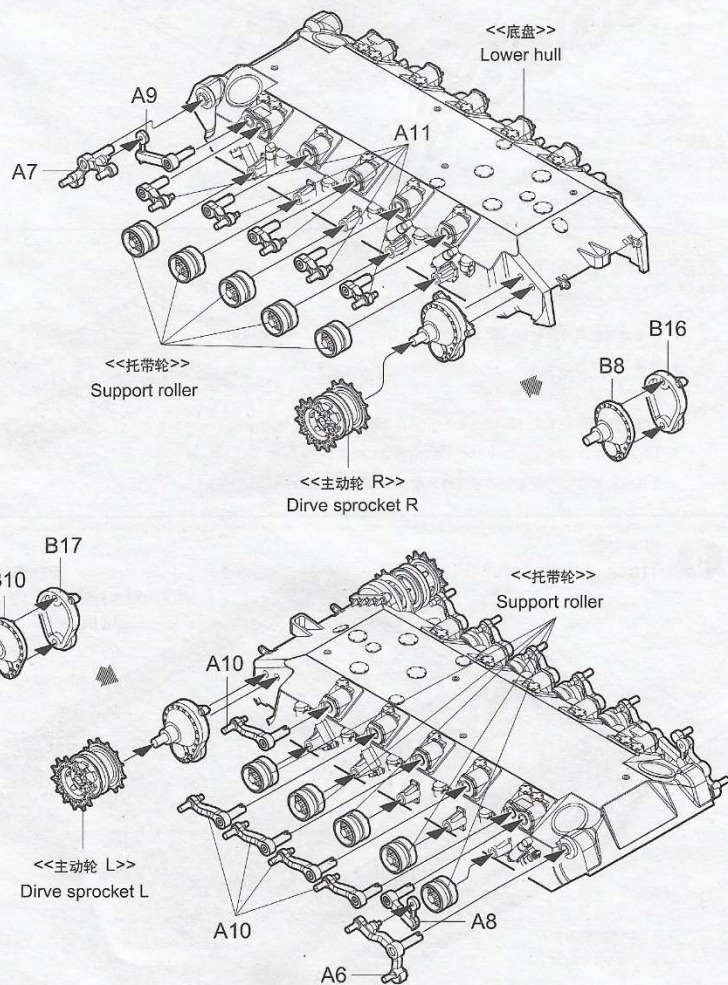
<<水贴>>  
Decal



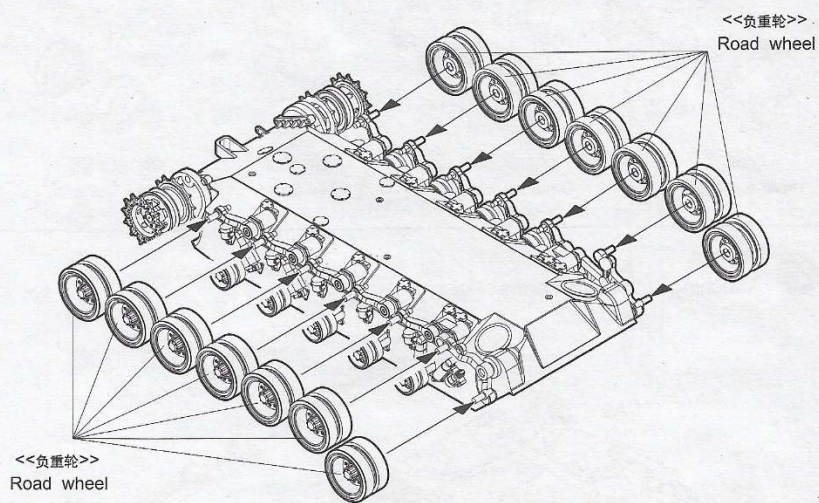
### 1 车轮组装 Wheels assembly



### 2 悬挂安装 Attaching suspension arms

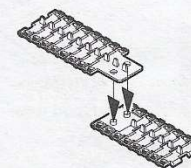


### 3 车轮安装 Attaching wheels

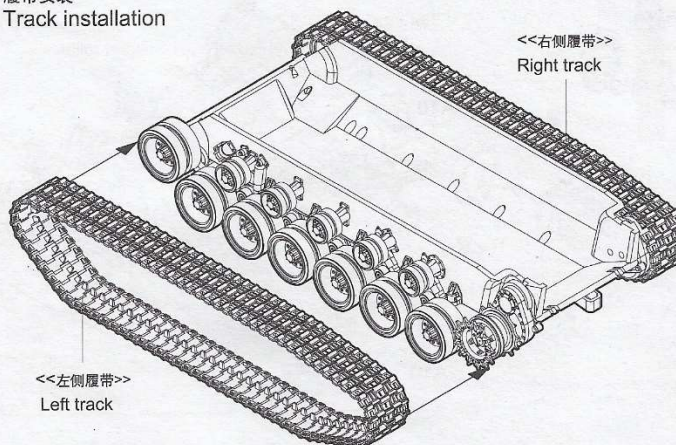


### 4 履带连接 Track installation

- \* 履带可用塑料胶水粘合
- \* 履带可用模型油漆粘合
- \* 若履带断裂,用细线固定
- \* The tracks in this kit can be glued using plastic cement.
- \* The tracks can be painted using plastic paints.
- \* If track is broken strengthen with staples or thread.

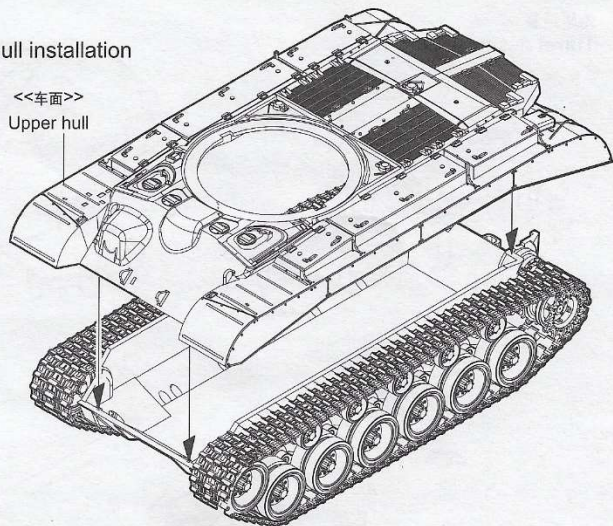


### 5 履带安装 Track installation

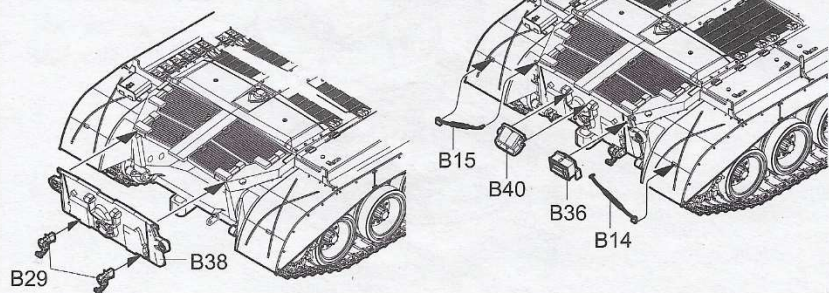


**6** 车面安装  
Upper hull installation

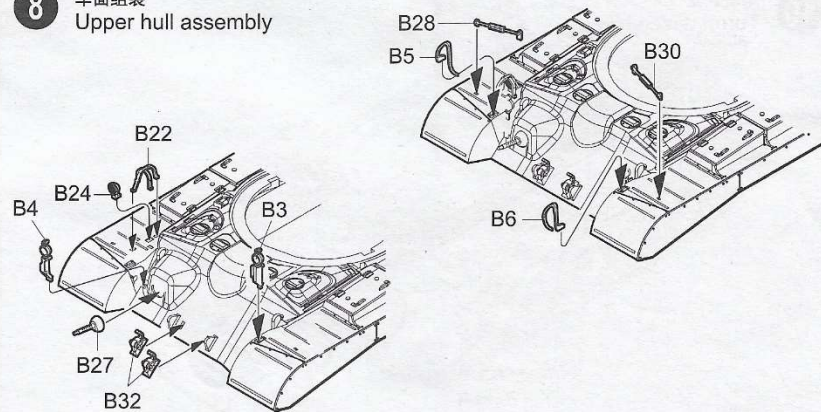
<<车面>>  
Upper hull



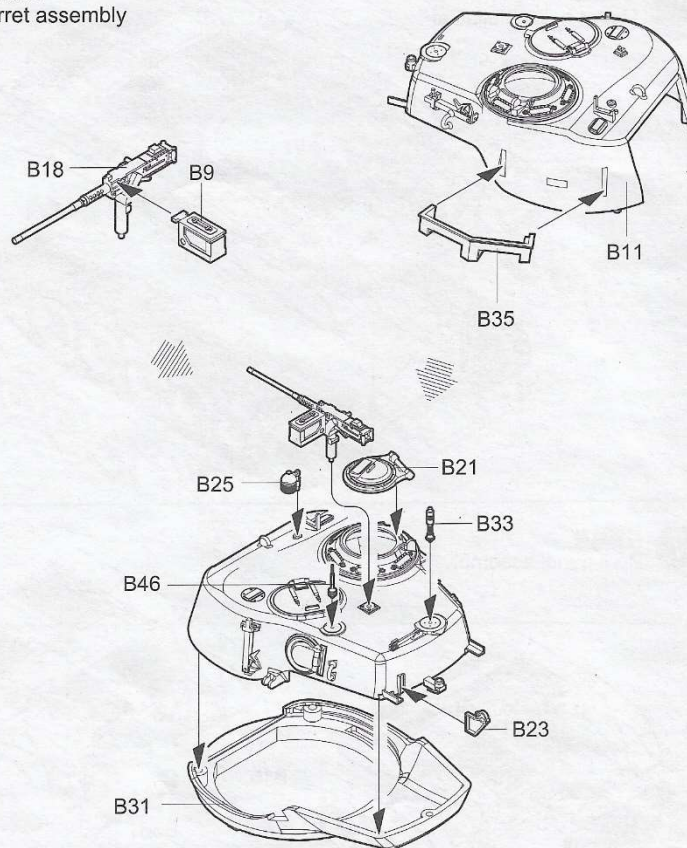
**7** 后板组装  
Rear panel assembly



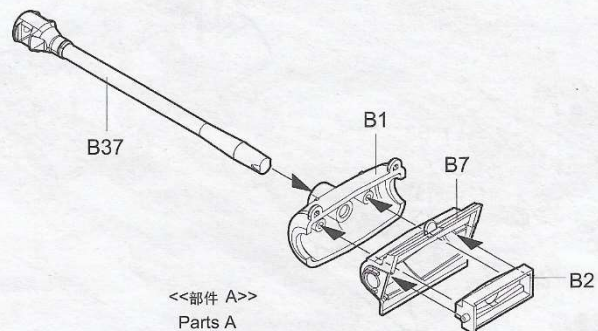
**8** 车面组装  
Upper hull assembly



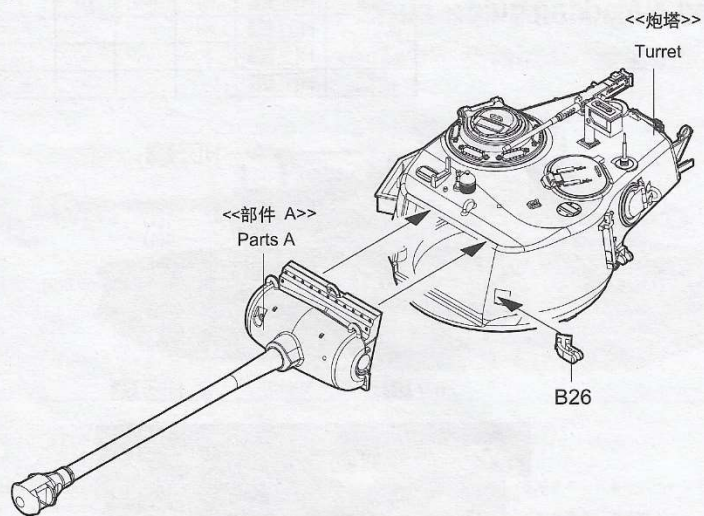
**9** 炮塔组装  
Turret assembly



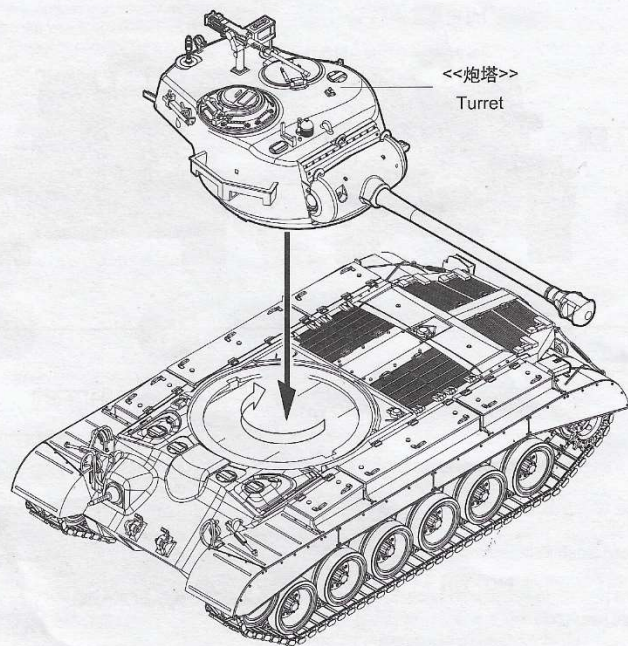
**10** 炮塔组装  
Turret assembly



**11** 炮塔组装  
Turret assembly



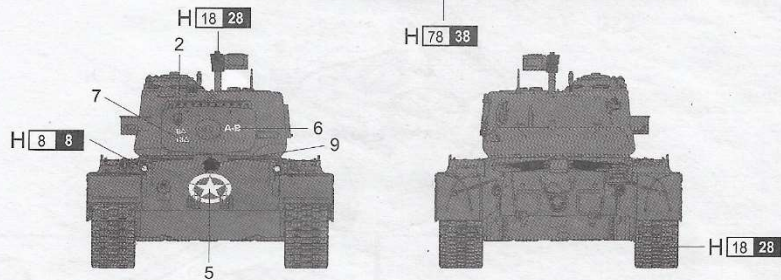
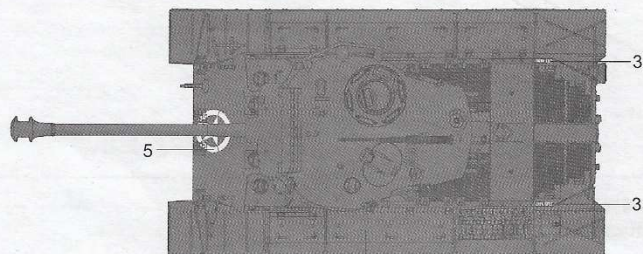
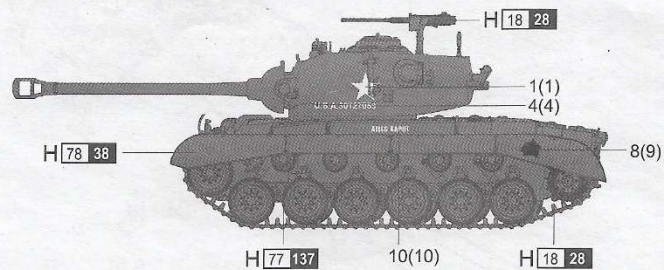
**12** 炮塔安装  
Attaching turret



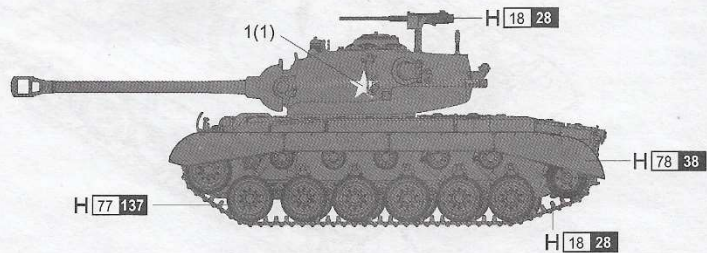
涂装同标贴指示  
Painting & Marking guide

Color	Mr.Hobby	Vallejo	Model Master	Tamiya	Humbrol
银色 Silver	H 8 8	997	1546	X11	11
黑灰色 Metal Black	H 18 28	864	1402	-	-
橄榄 (2) Olive Drab(2)	H 78 38	-	-	-	-
胎黑色 Tire Black	H 77 137	-	-	-	-

**A**



**B**



□ AQUEOUS HOBBY COLOR ■ Mr. COLOR