

USS LASSEN DDG-82

美国海军DDG-82拉森号导弹驱逐舰



READ BEFORE ASSEMBLY:

- Study and understand these instructions thoroughly before beginning assembly
- When needed, remove photo-etch parts carefully using a modeling knife or photo etch sprue cutter, being careful not to damage or lose small parts.
- Take extra care in handling photo etch parts in order to avoid injury
- Apply instant cement sparingly to photo etch parts where instructed
- Tools recommended(not included in kit):Plastic and instant cements,sprue cutters,long nose pliers,,modeling knife, small files, tweezers, pin vise & scissors. Soft cloth and sandpaper will also assist in construction
- Glue and paint are not included in the kit. Use plastic cement and hobby paints only. Color guide for purchasing paint is included in the kit.

装配之前仔细阅读

- 小心用模型锉刀锉平所有零件表面的注射浇口。
- 小心用刀片切下蚀刻片零件，不要遗失小零件。
- 用强力快干胶水粘合蚀刻片零件和金属轴。过量的快干胶水使用可能导致可动零件会粘住，小心涂胶。
- 取蚀刻片时应特别注意安全，防止利边划伤手指。
- 某些零件表面需贴水上贴纸，请选择在装配的同时进行。
- 推荐模型工具(自备)：胶水，水口剪刀，长咀钳，刀片，镊子，钳，钻，剪刀，瞬间快干胶。
- 软布同砂纸同时也应该是必备工具。
- 请使用塑料胶水和油漆，模型内不含。



贴纸
Decal



锉平
File / Sand



选择
Option



不涂胶水
No cement



弯曲
Bend



使用强力胶
Cyanoacrylate glue



配重
Weight



钻孔
Make hole



切除
Cut / Remove

水贴纸的使用:

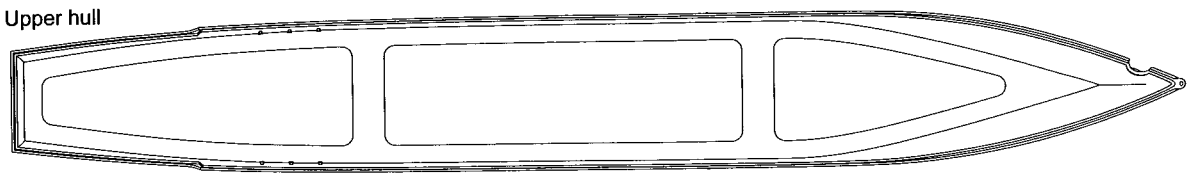
1. 从水贴上剪下印花;
2. 将印花放入温水中浸10秒，然后放在干净布上。
3. 拿着印花纸板将印花移到模型上;
4. 手指蘸水将印花移到适当的位置;
5. 用软布轻压印花直至水干，汽泡消失。

DECAL APPLICATION

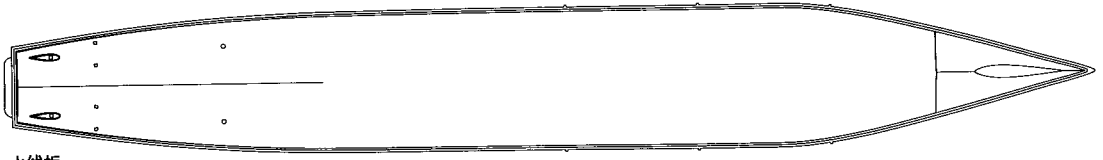
1. Cut off decal from sheet.
2. Dip the decal in tepid water 40°C for about 10 sec. and place on a clean cloth.
3. Hold the backing sheet edge and slide decal onto the model.
4. Move decal into position by wetting decal with finger.
5. Press decal gently down with a soft cloth until excess water and air bubbles are gone.
6. Allow decal to dry completely before handling model.

部品图
Parts

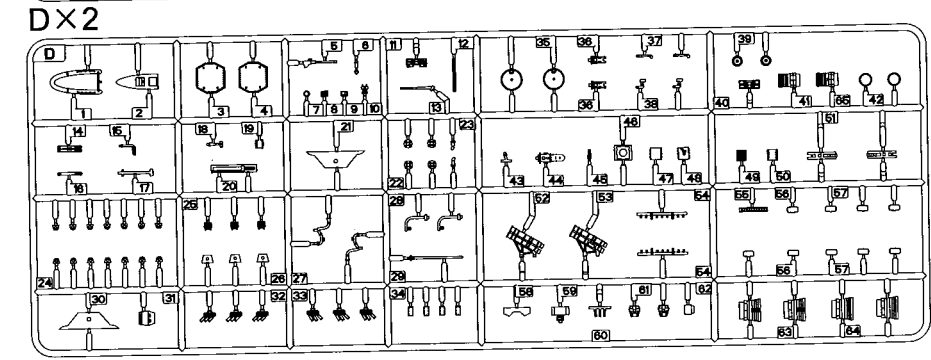
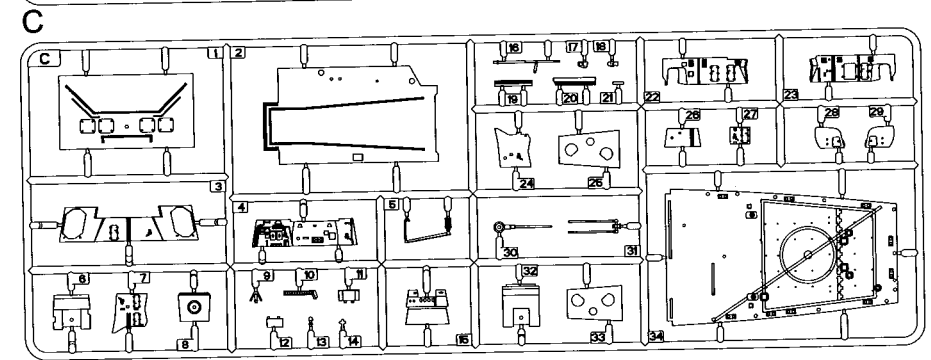
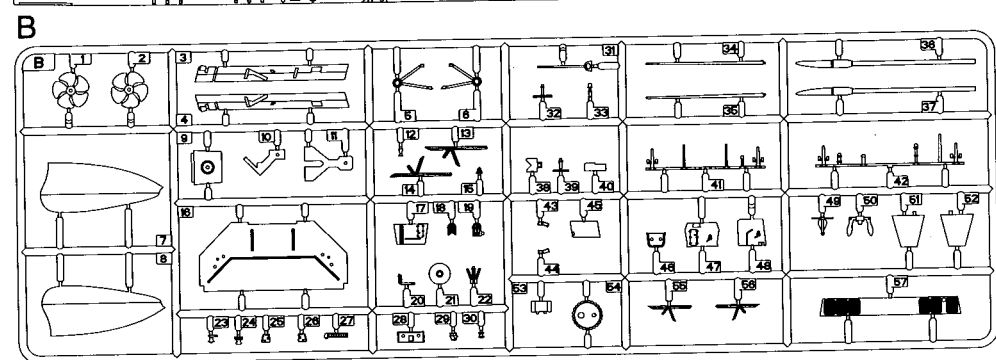
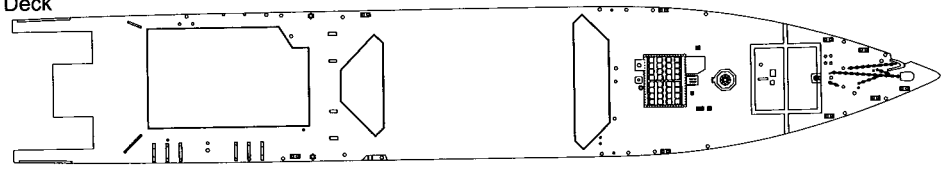
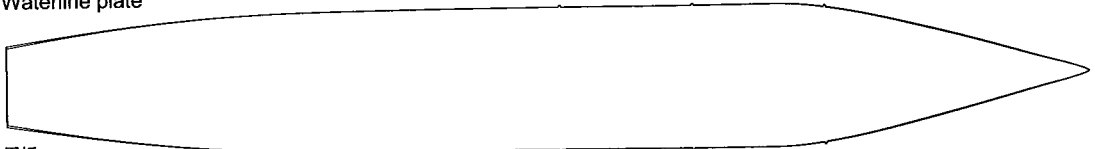
上船体
Upper hull



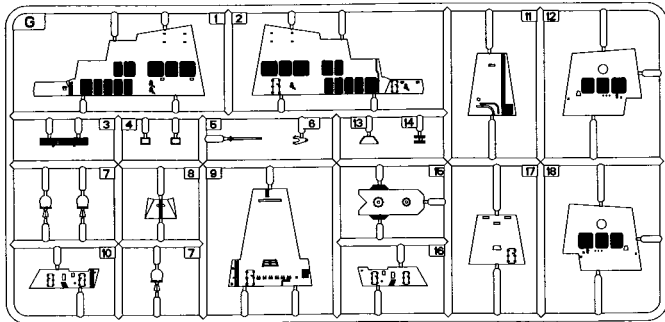
水线板
Waterline plate



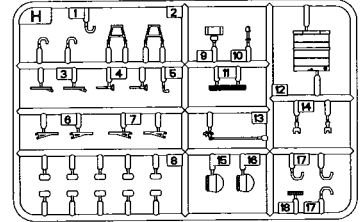
甲板
Deck



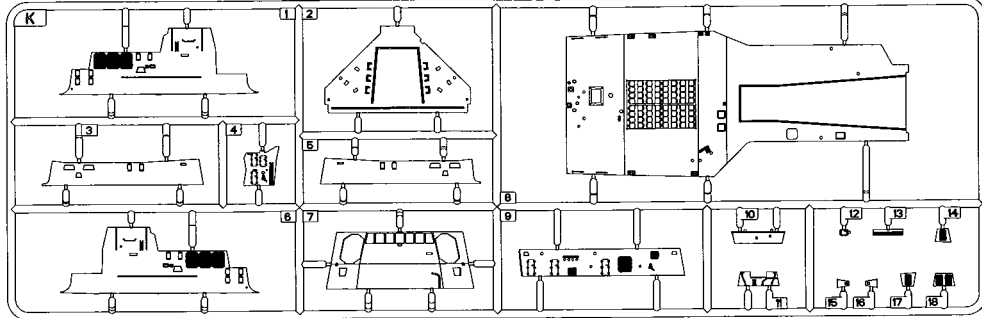
G



H×2

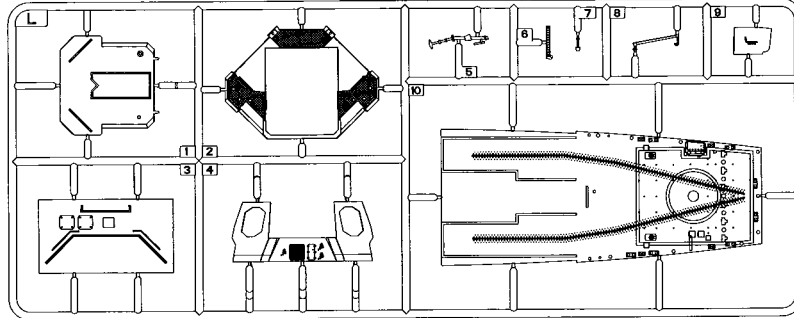


K

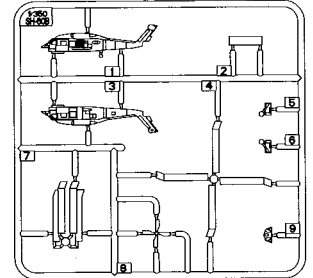


1380 USS ARLEIGH BURKE CLASS DESTROYER
DDG-82 LASSEN

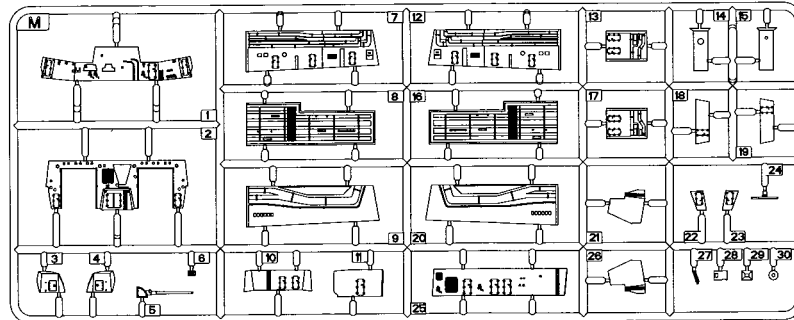
L



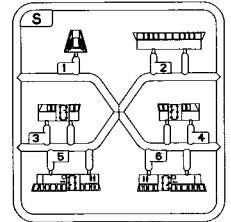
SH-60B×2



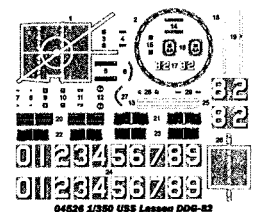
M



S



《水贴纸》
Decal



W

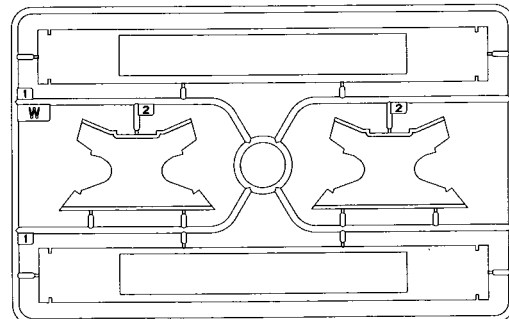
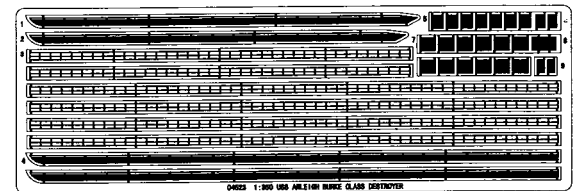
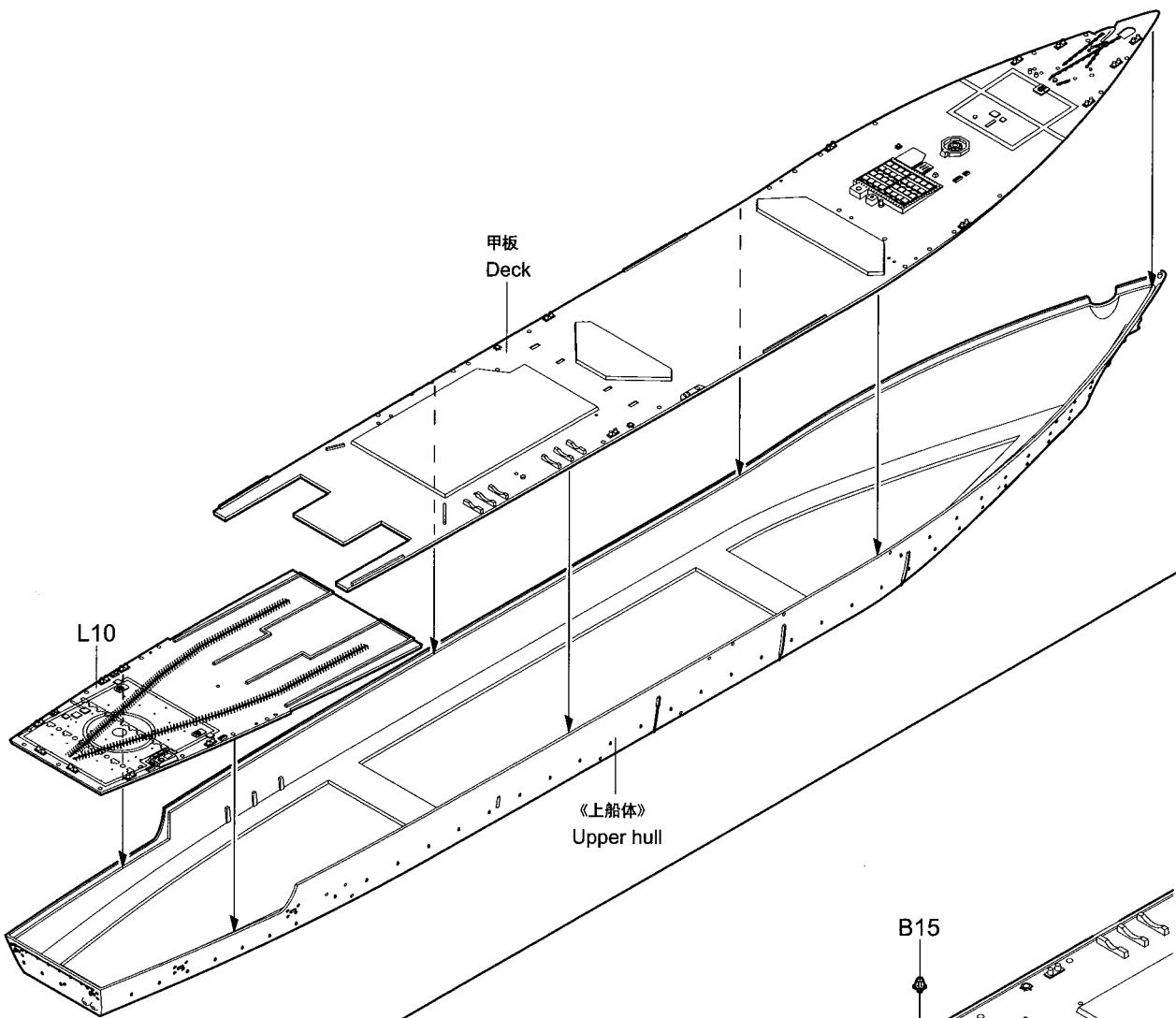


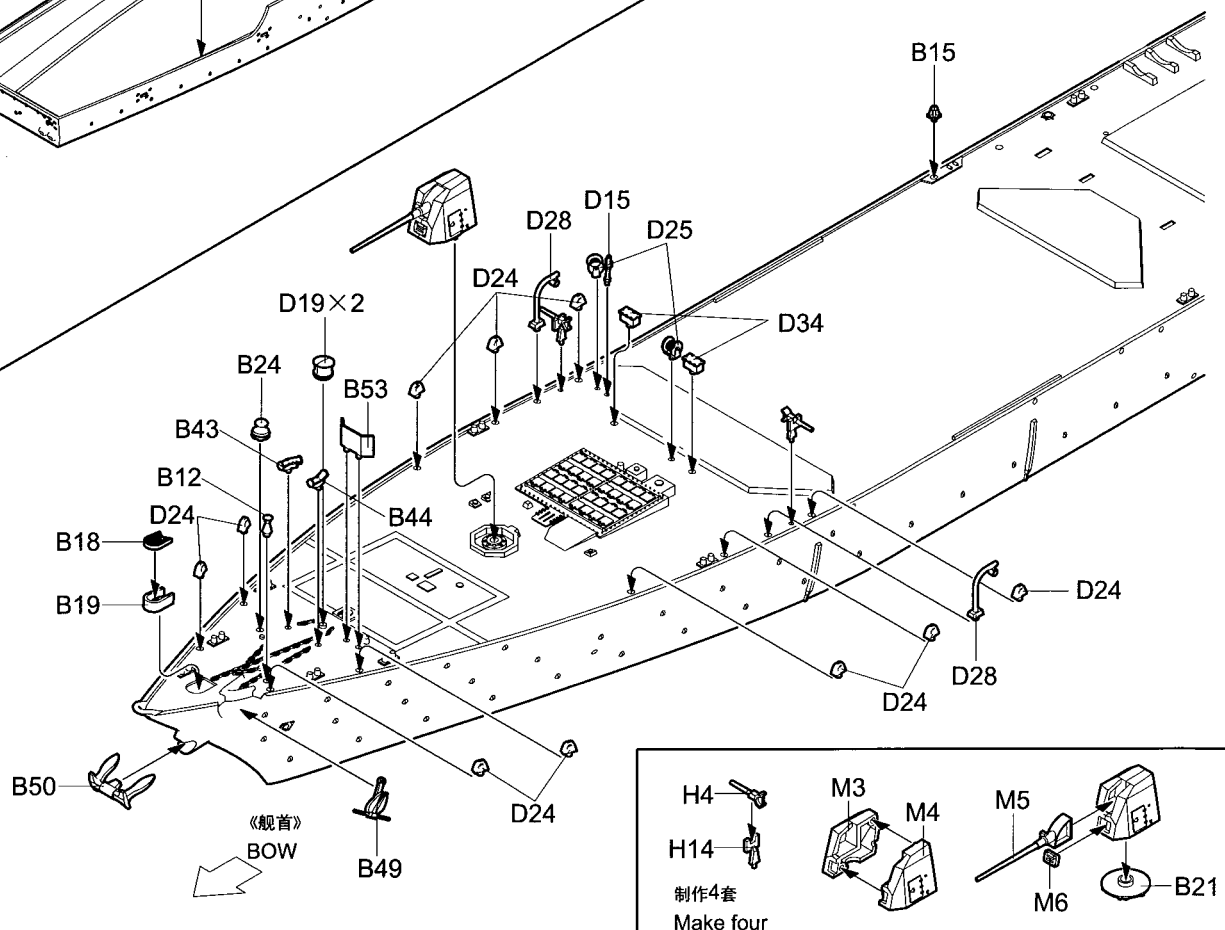
Photo Etched



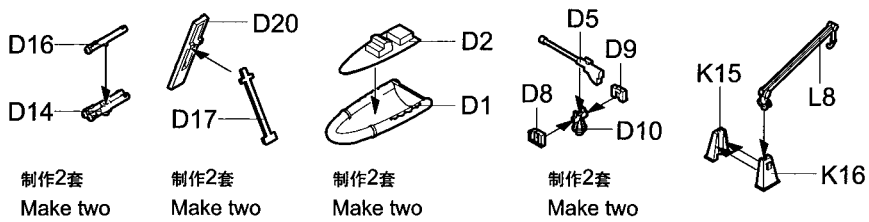
1



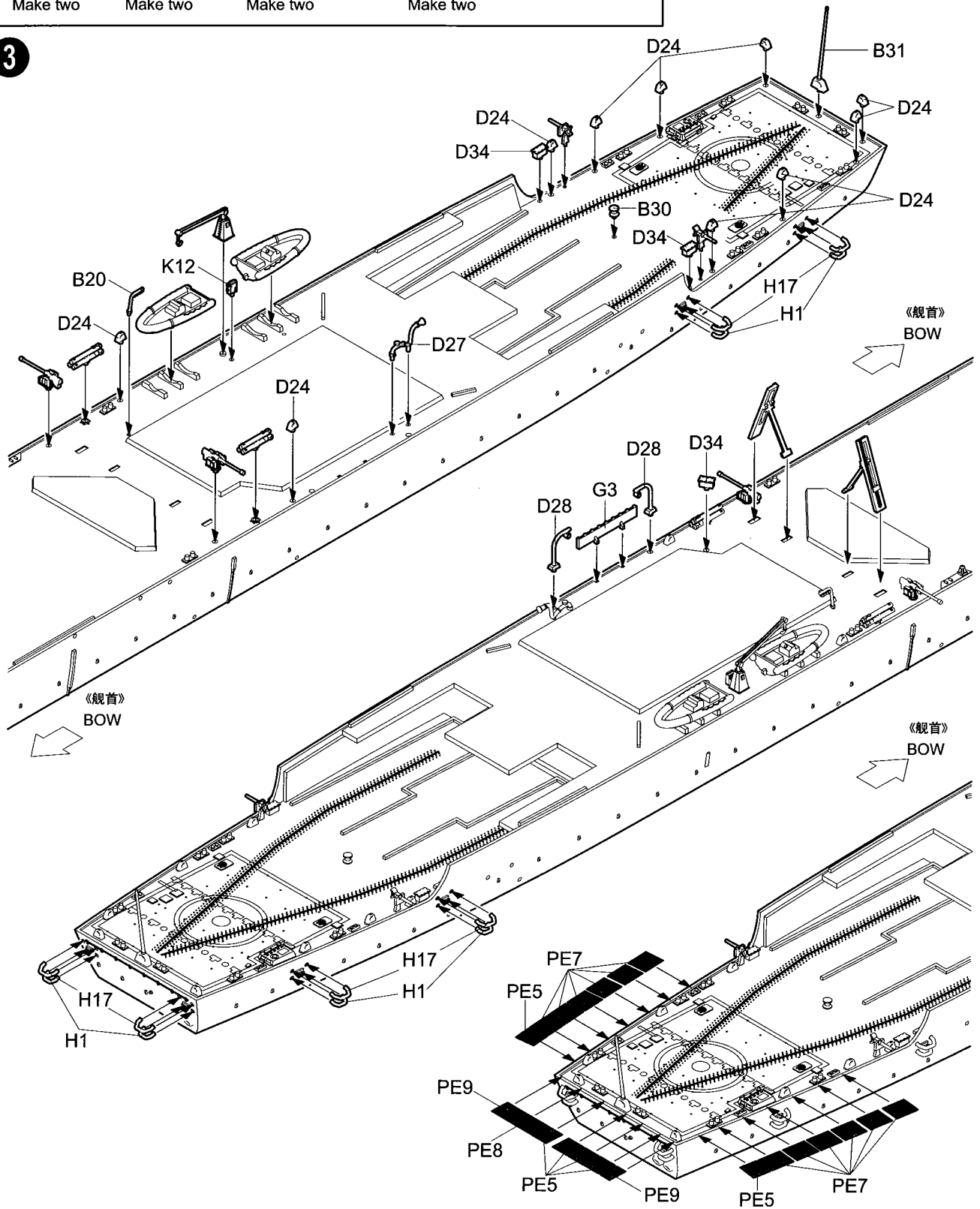
2

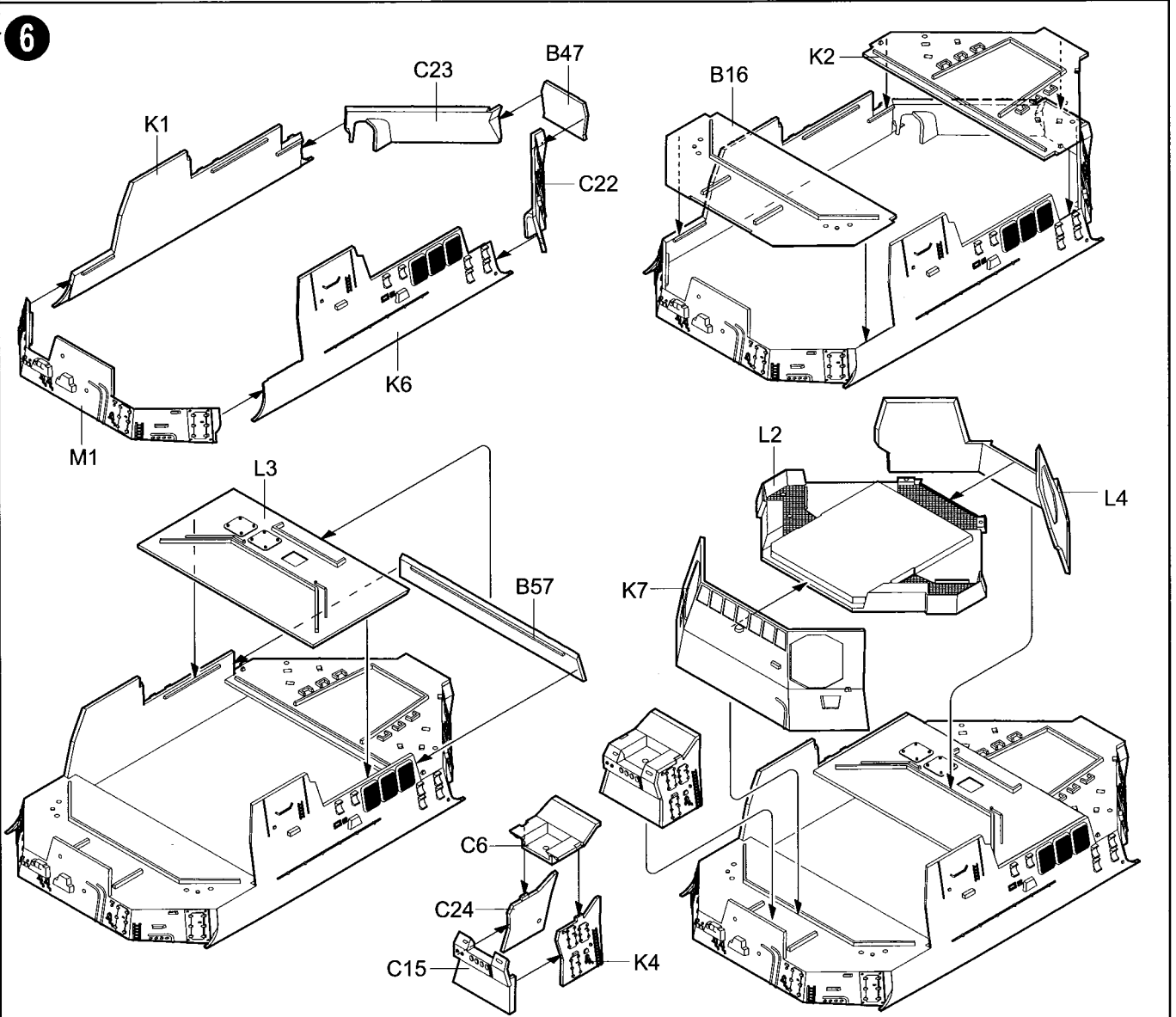
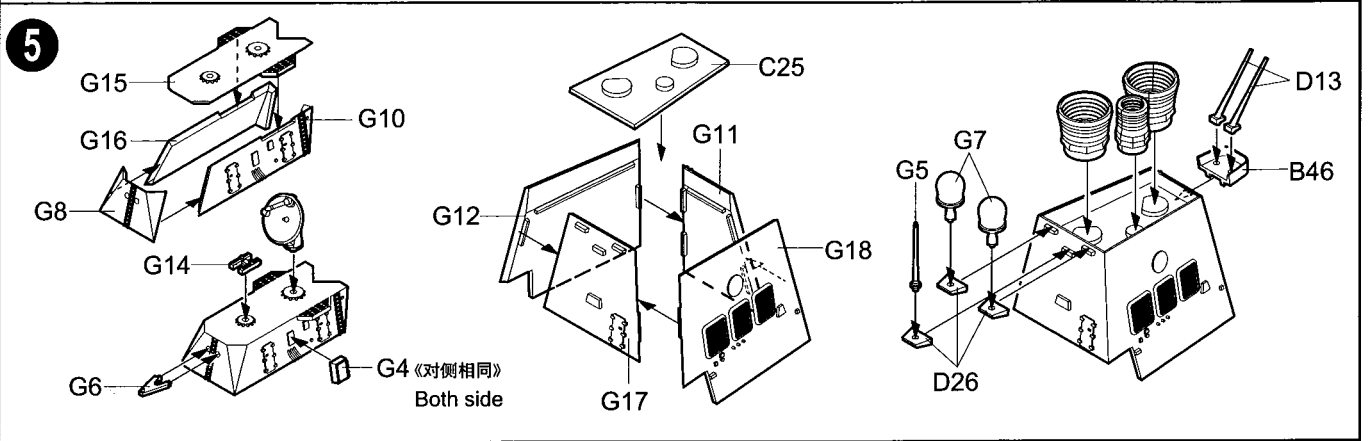
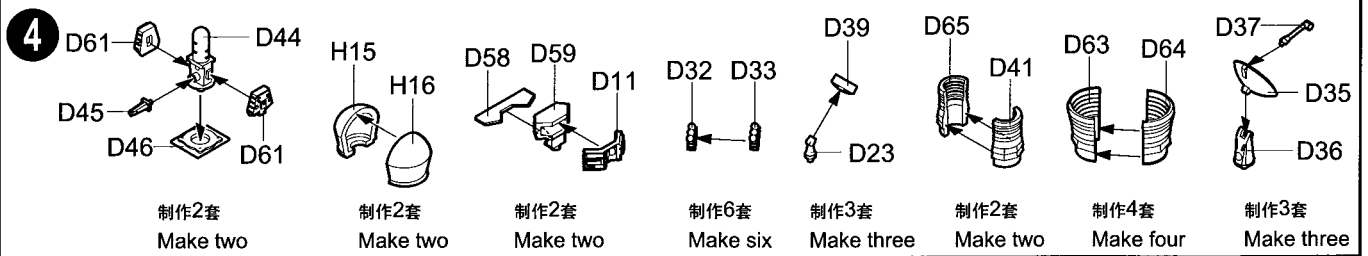


04526

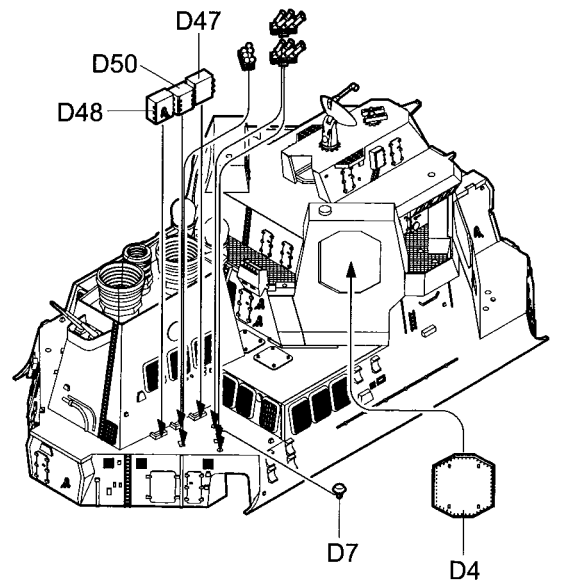
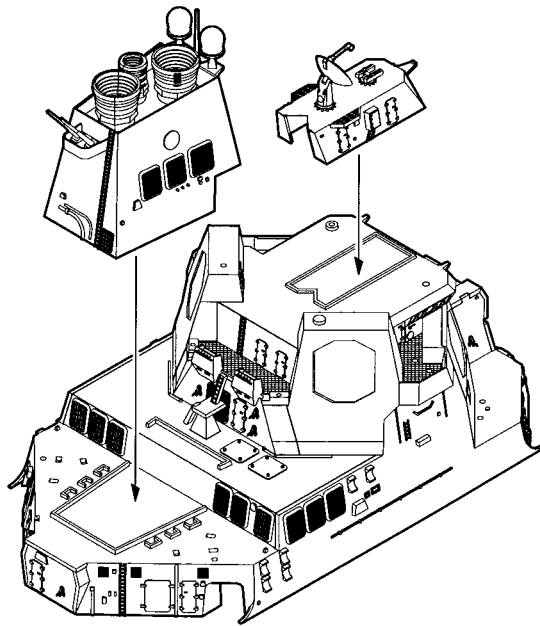
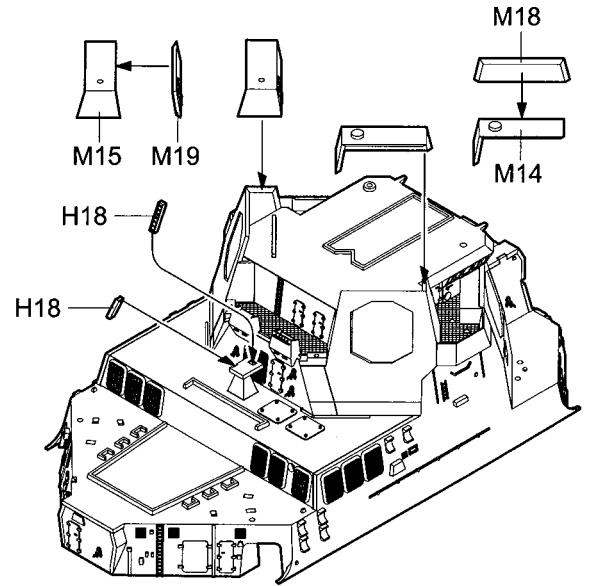
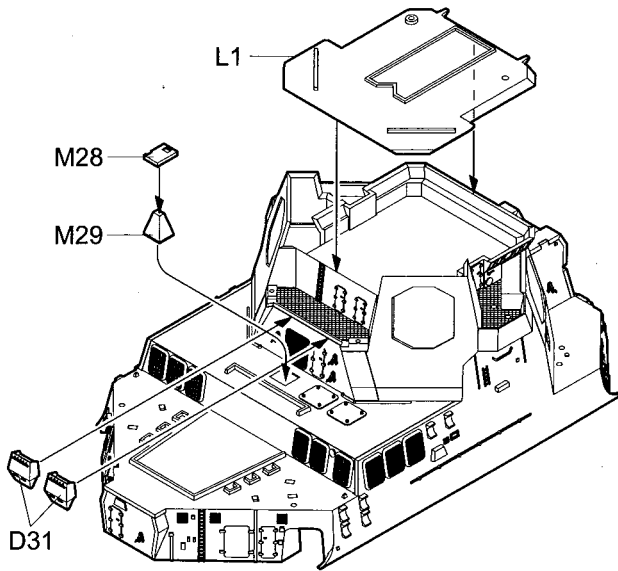
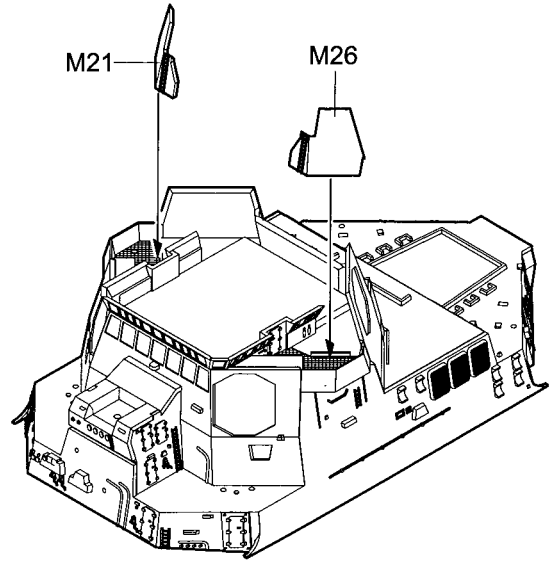
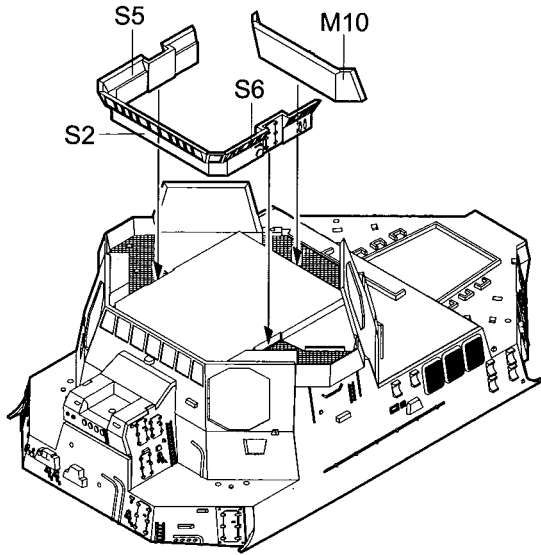


3

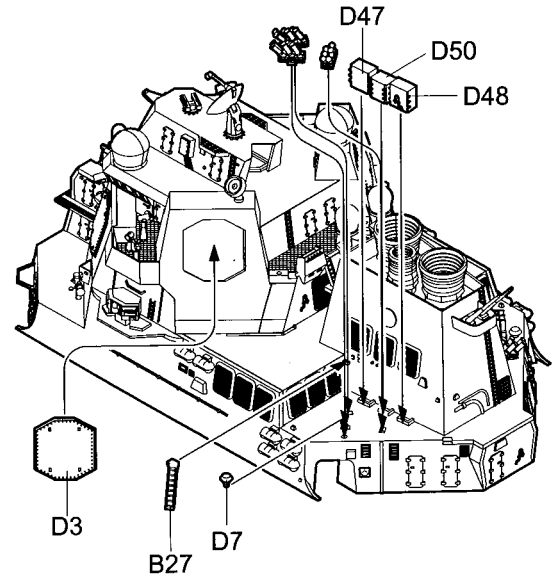
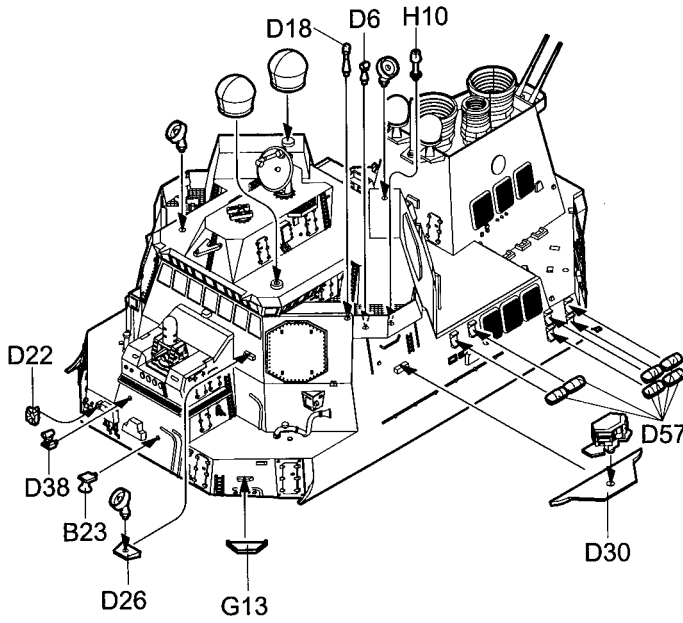
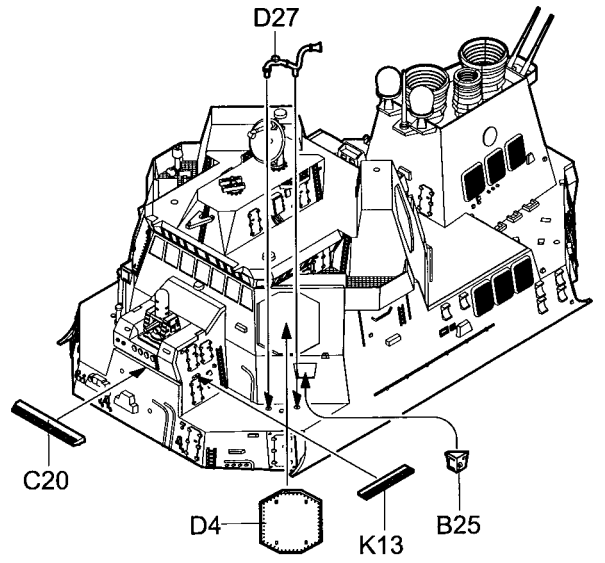
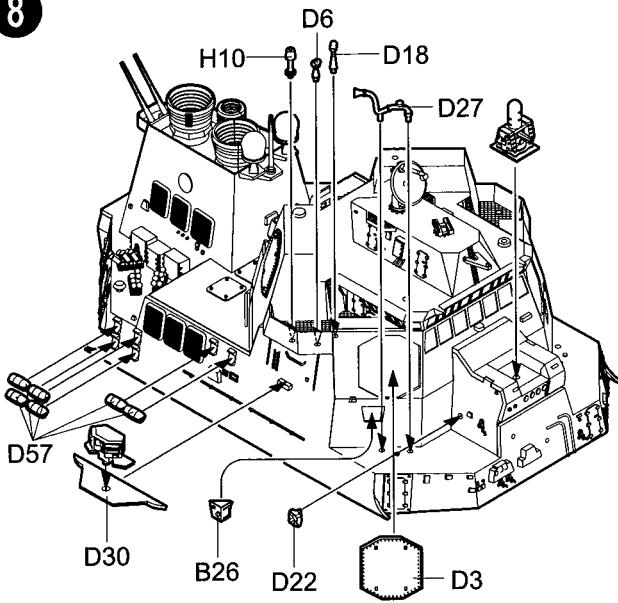




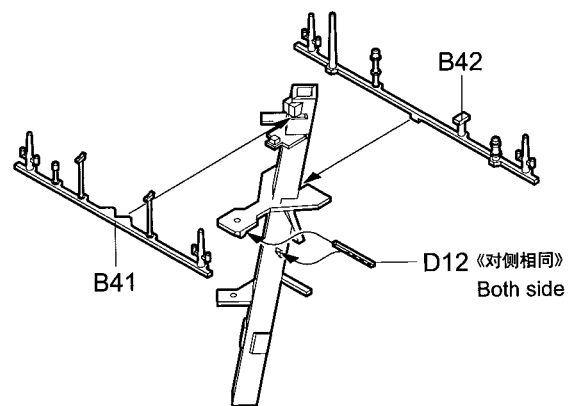
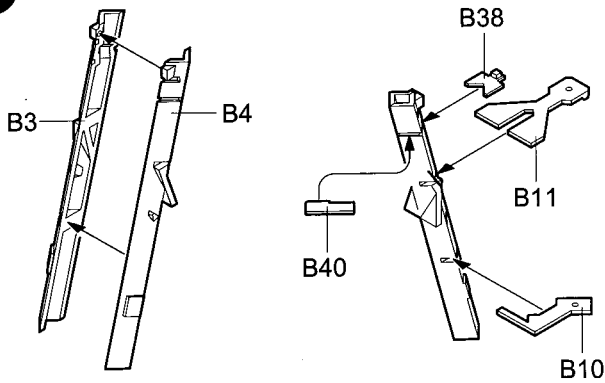
7



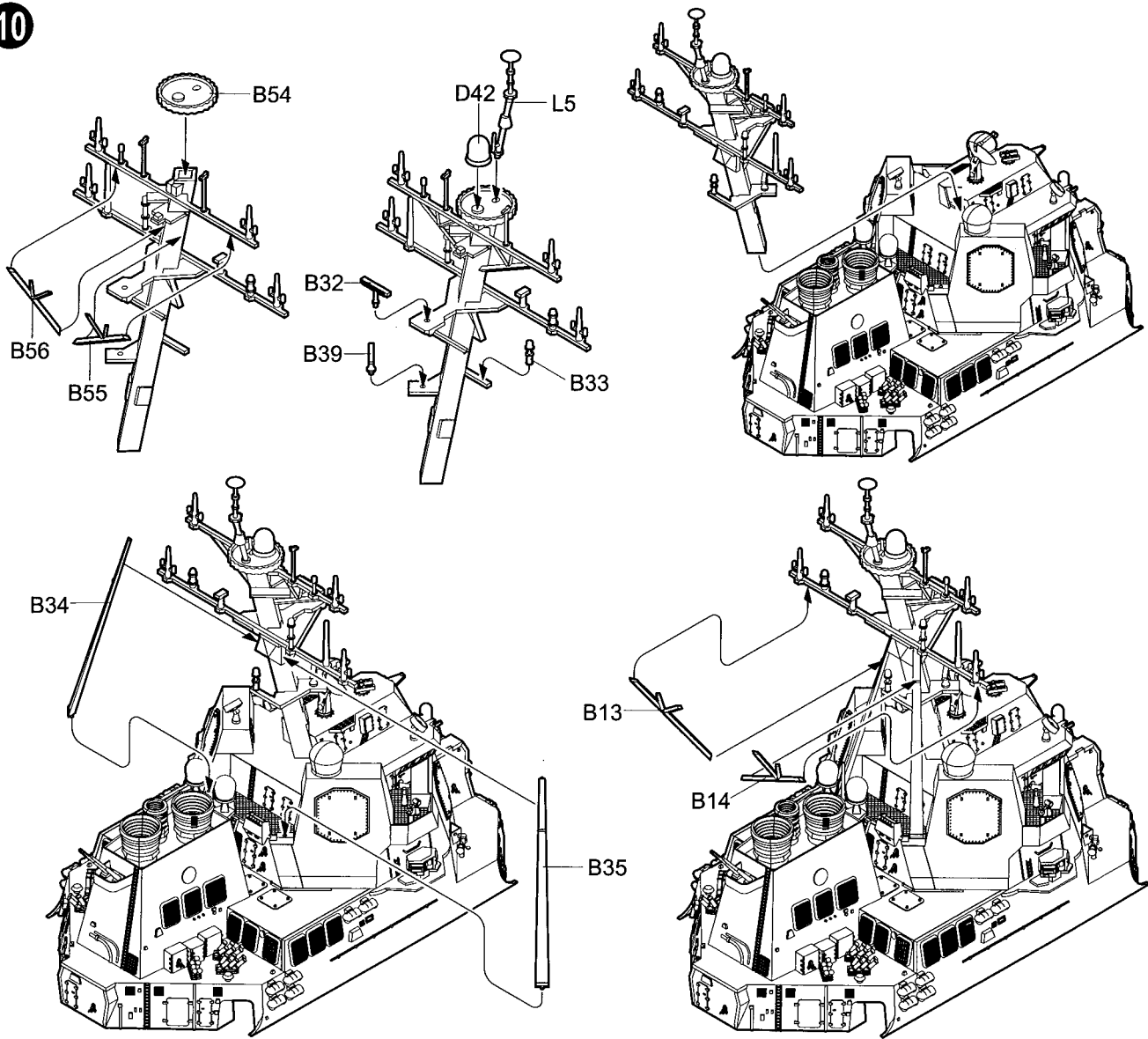
8



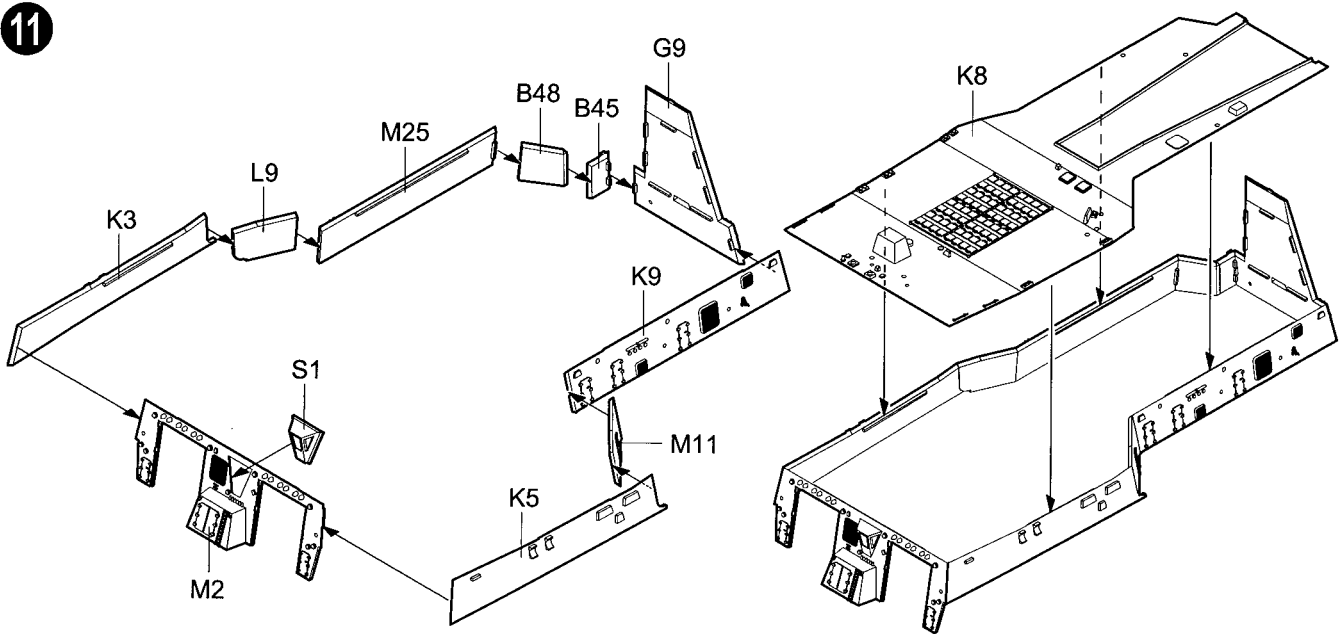
9

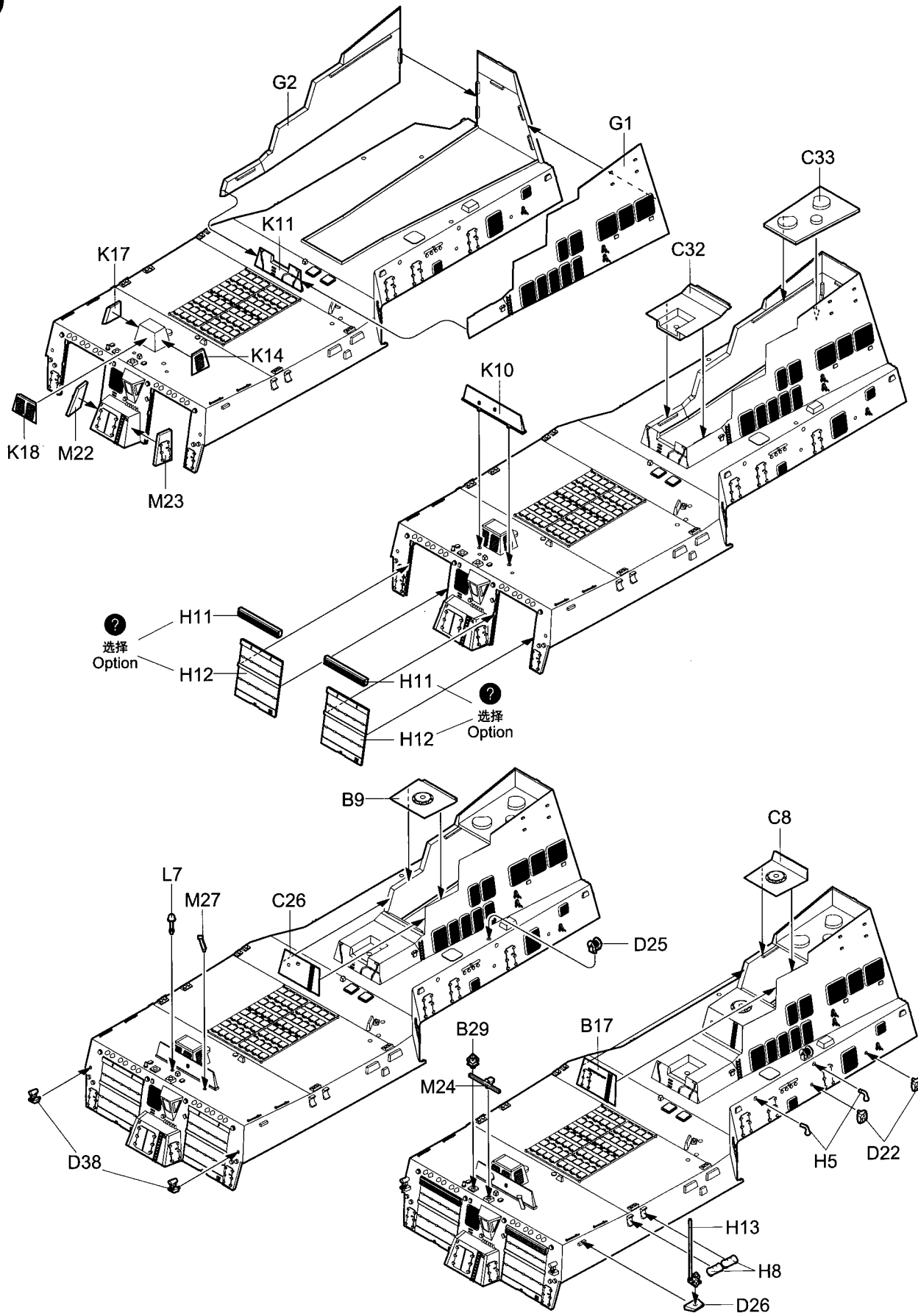


10

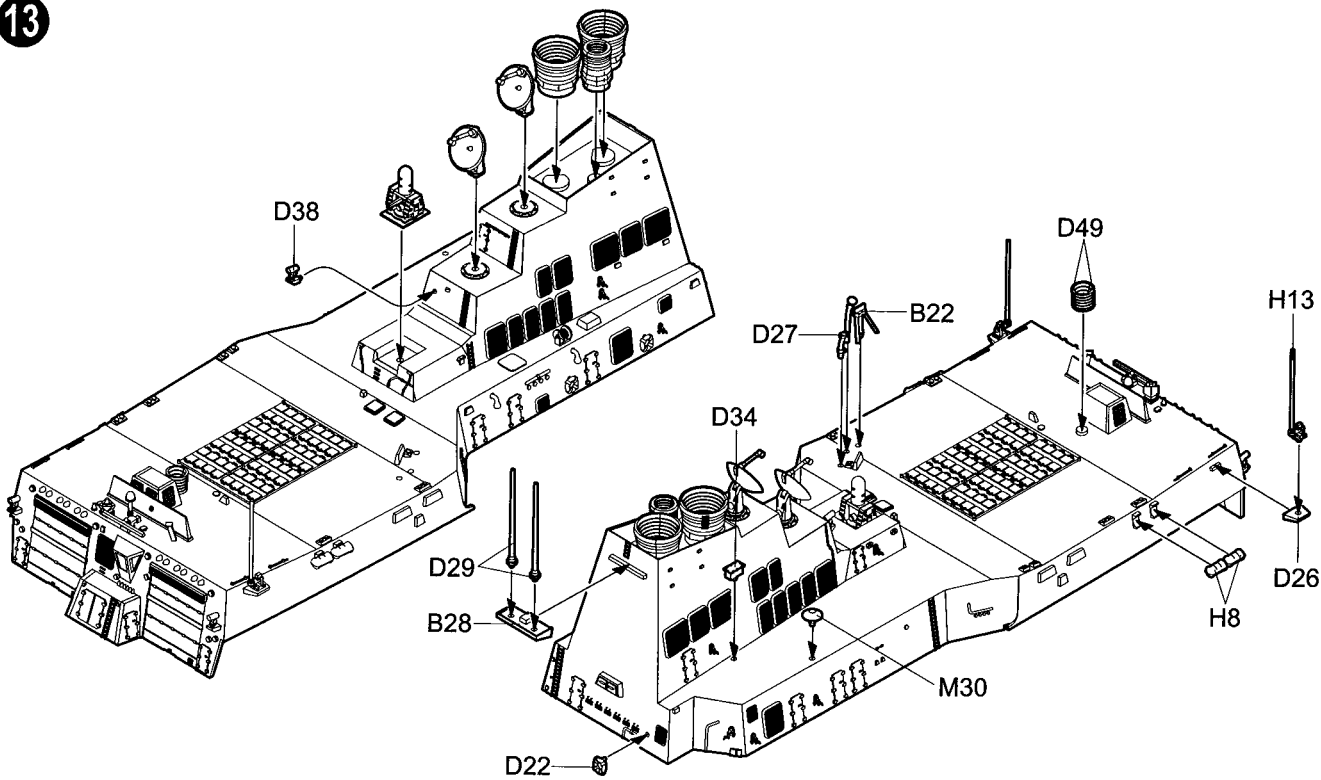


11

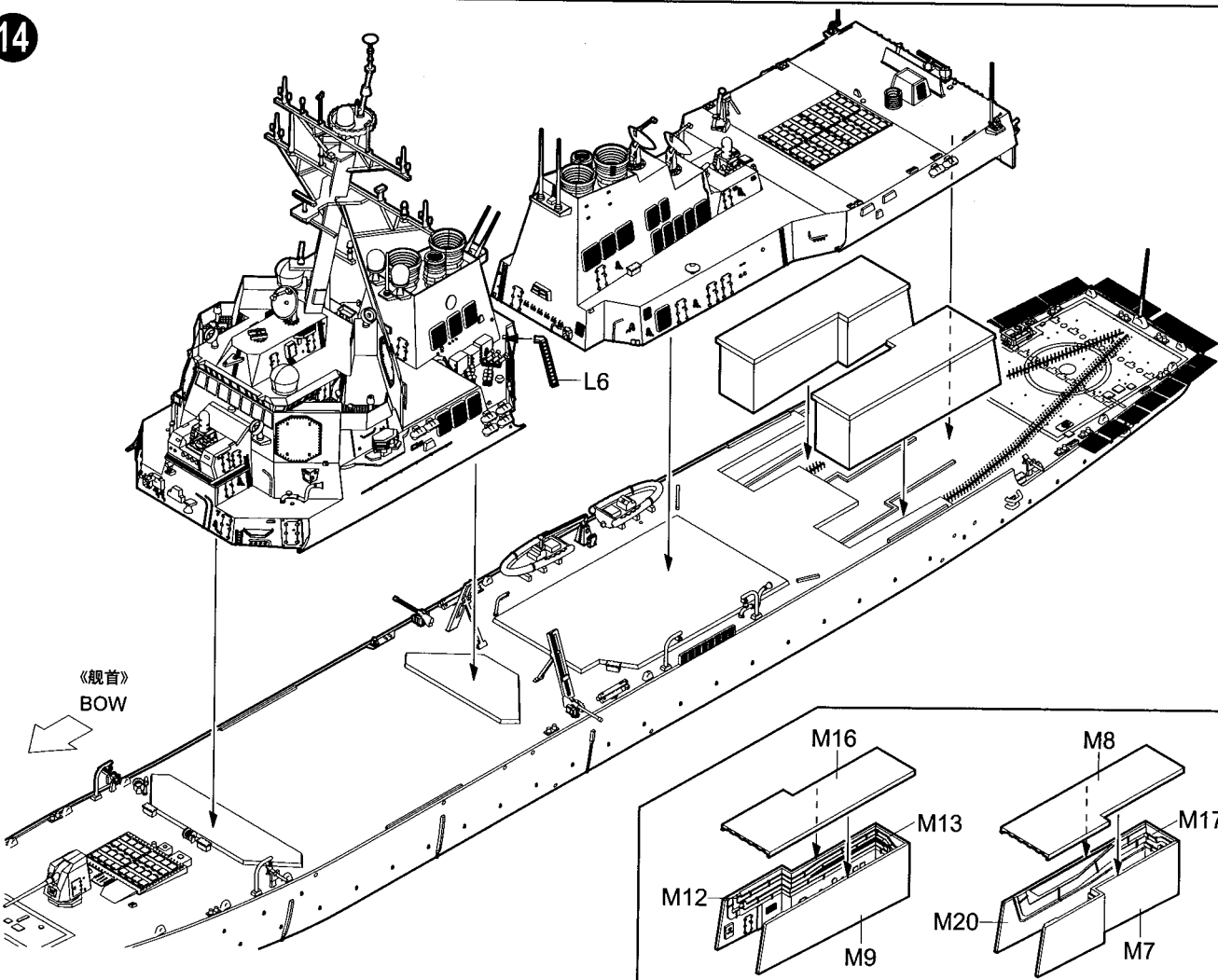




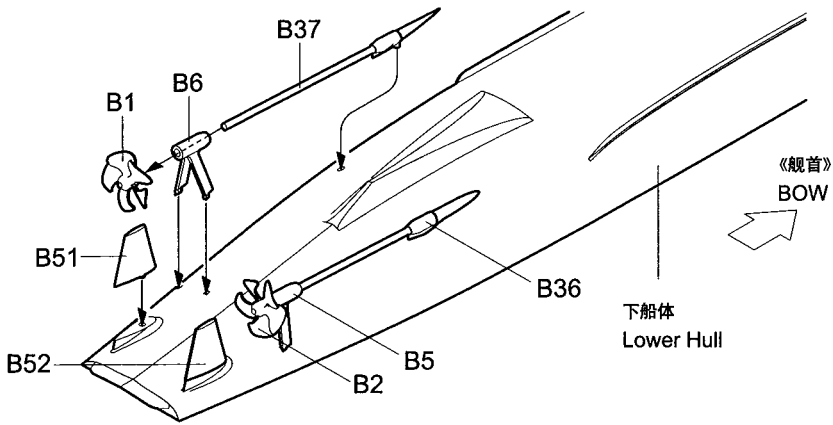
13



14

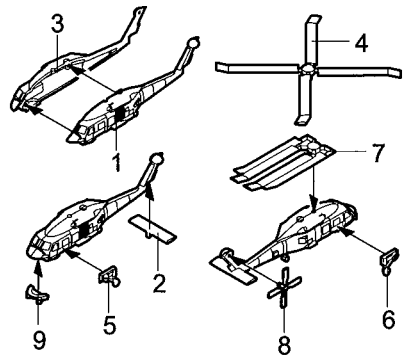


15

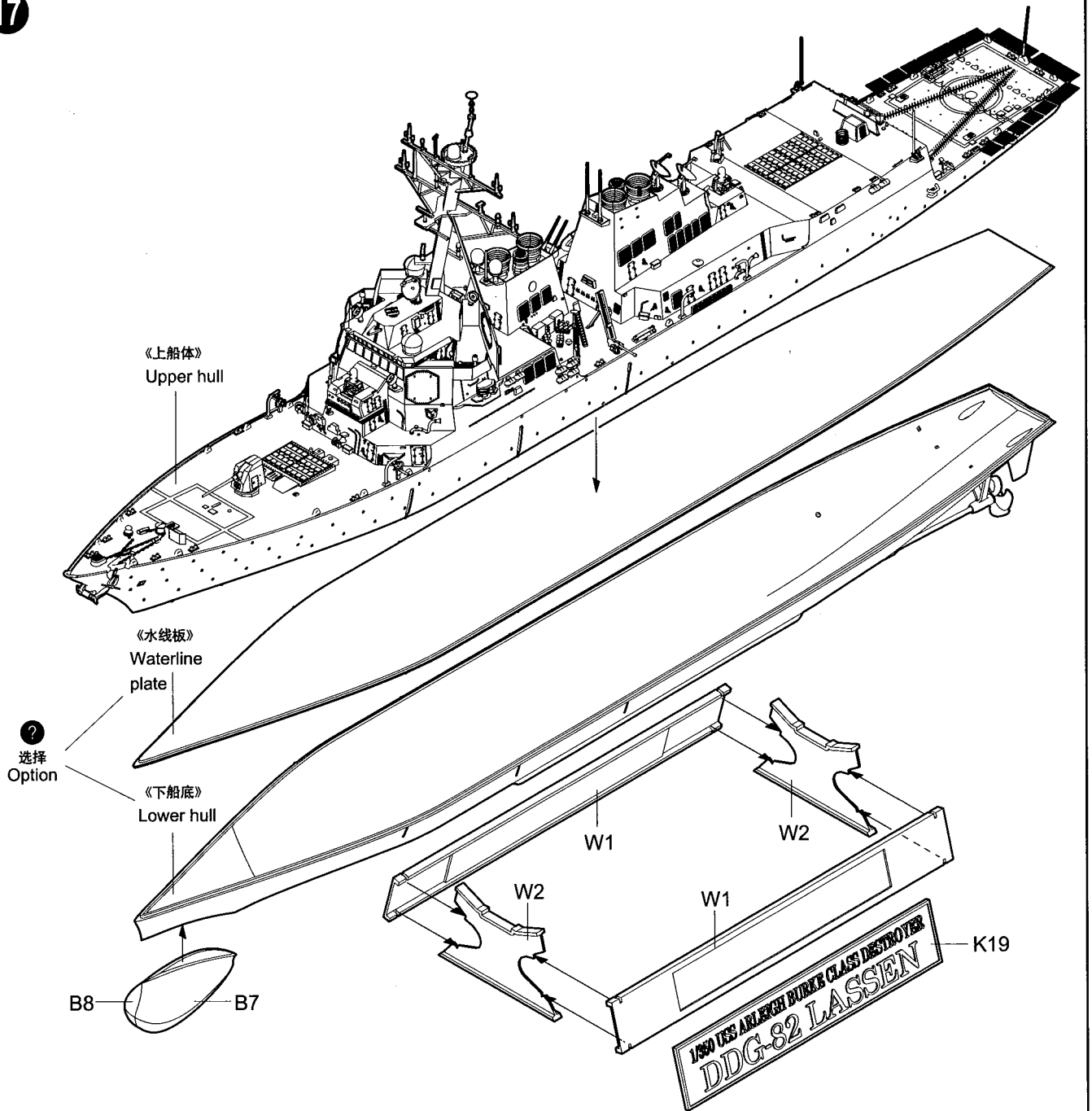


16

SH-60 的组装
Assembly of SH-60



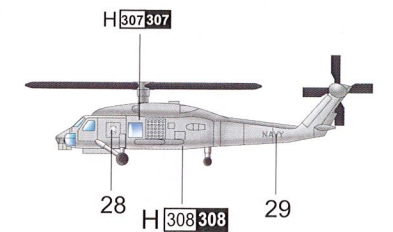
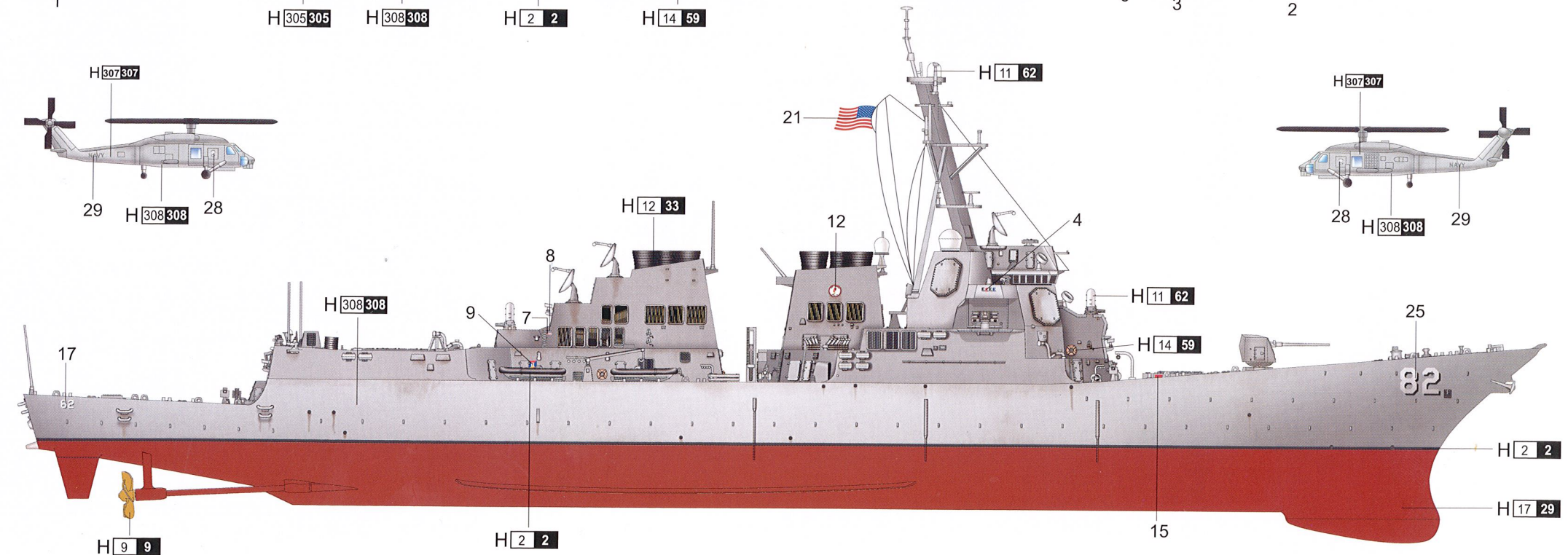
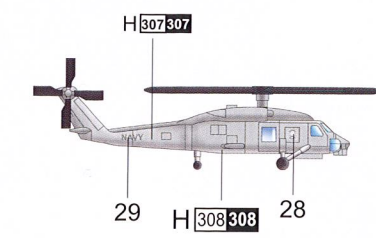
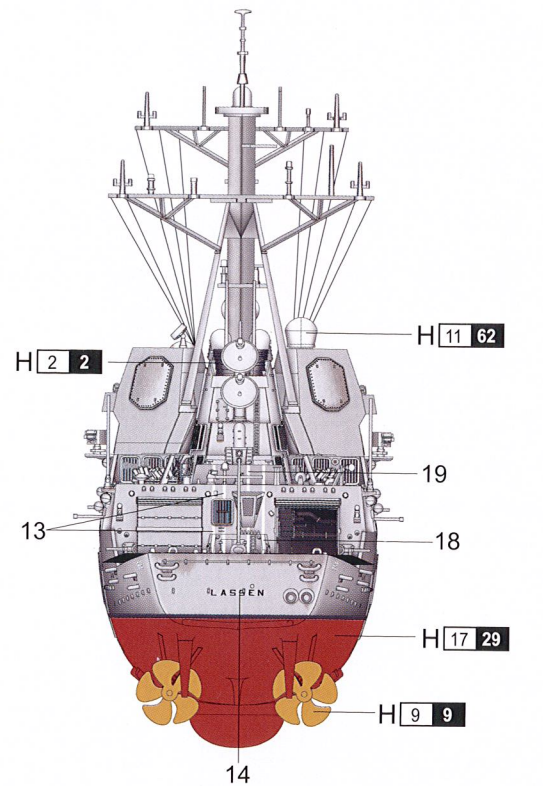
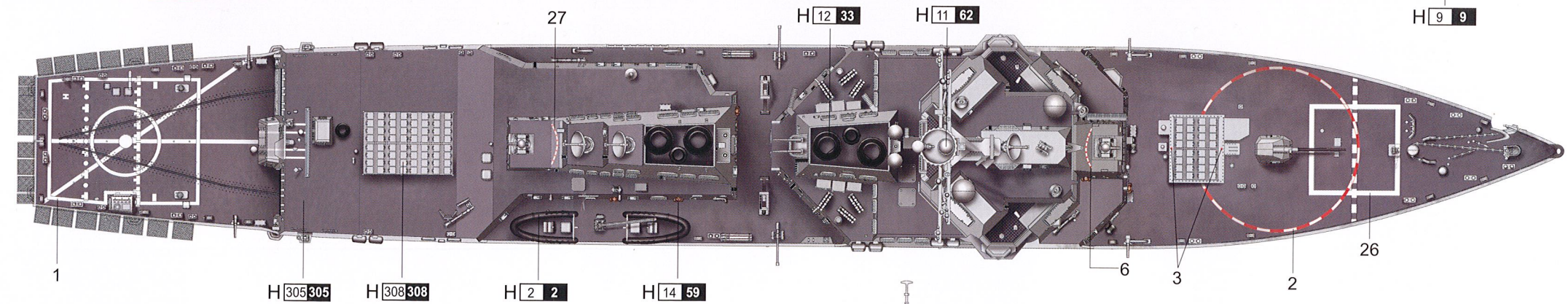
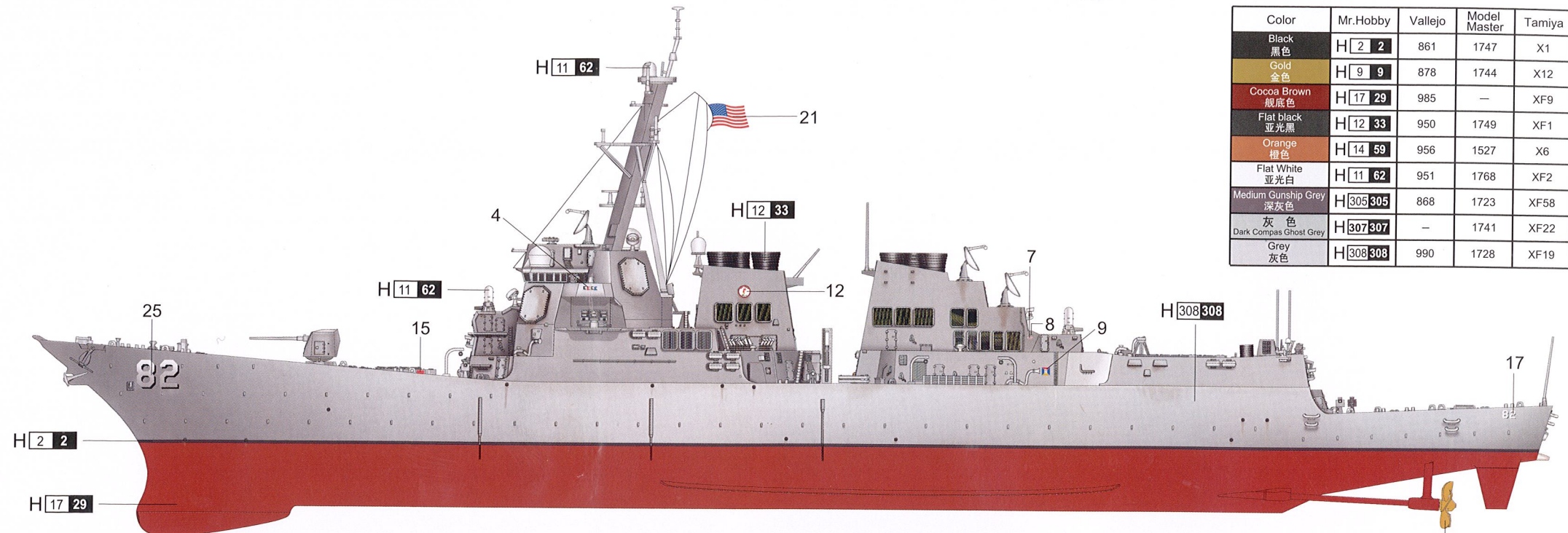
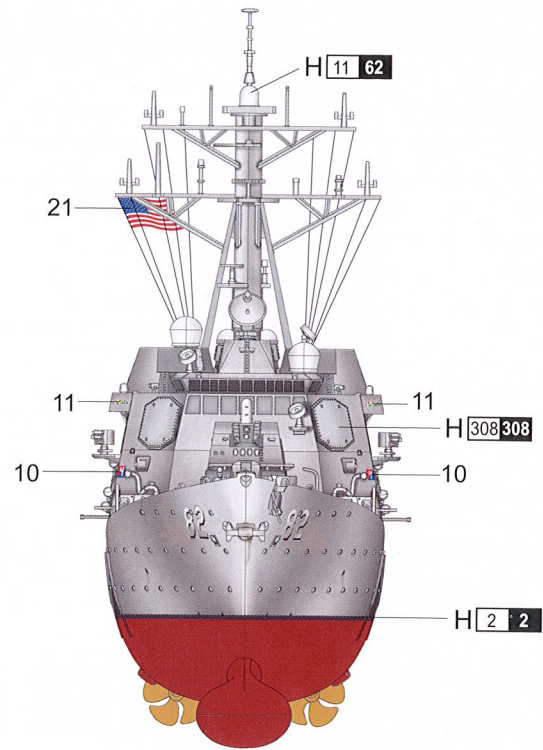
17



涂装同标贴指示 Painting & Marking guide

使用 MR.HOBBY 涂料 Mr. COLOR USED

Color	Mr.Hobby	Vallejo	Model Master	Tamiya	Humbrol
Black 黑色	H 2 2	861	1747	X1	21
Gold 金色	H 9 9	878	1744	X12	16
Cocoa Brown 赭底色	H 17 29	985	-	XF9	177
Flat black 亚光黑	H 12 33	950	1749	XF1	33
Orange 橙色	H 14 59	956	1527	X6	18
Flat White 亚光白	H 11 62	951	1768	XF2	34
Medium Gunship Grey 深灰色	H 305 305	868	1723	XF58	125
灰色 Dark Compass Ghost Grey	H 307 307	-	1741	XF22	128
灰色 Grey	H 308 308	990	1728	XF19	127



H [] AQUEOUS HOBBY COLOR [] Mr. COLOR