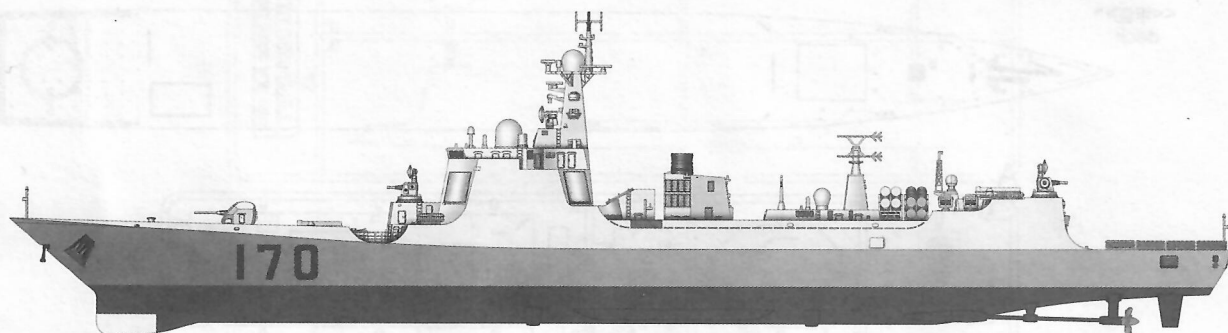


## PLA Navy 052C DDG-170 LANZHOU

## 中国海军052C型170兰州号导弹驱逐舰



## READ BEFORE ASSEMBLY:

- Study and understand these instructions thoroughly before beginning assembly
- When needed, remove photo-etch parts carefully using a modeling knife or photo etch sprue cutter, being careful not to damage or lose small parts.
- Take extra care in handling photo etch parts in order to avoid injury
- Apply instant cement sparingly to photo etch parts where instructed
- Tools recommended(not included in kit):Plastic and instant cements, sprue cutters,long nose pliers,modeling knife, small files, tweezers, pin vise & scissors. Soft cloth and sandpaper will also assist in construction
- Glue and paint are not included in the kit. Use plastic cement and hobby paints only. Color guide for purchasing paint is included in the kit.

## 装配之前仔细阅读

- 小心用模型锉刀锉平所有零件表面的注射浇口。
- 小心用刀片切下蚀刻片零件，不要遗失小零件。
- 用强力快干胶水粘合蚀刻片零件和金属轴。过量快干胶水使用可能导致可动零件会粘住，小心涂胶。
- 取蚀刻片时应特别注意安全，防止利边划伤手指。
- 某些零件表面需贴上水贴纸，请选择在装配的同时进行。
- 推荐模型工具(自备)：胶水，水口剪刀，长咀钳，刀片，锉刀，镊子，钳，钻，剪刀，瞬间快干胶。
- 软布同砂纸同时也应该是必备工具。
- 请使用塑料胶水和油漆，模型内不含。

配重  
Weight使用强力胶  
Cyanoacrylate glue钻孔  
Make hole切除  
Cut / Remove贴纸  
Decal锉平  
File / Sand选择  
Option不涂胶水  
No cement弯曲  
Bend

## 水贴纸的使用:

- 1.从水贴纸上剪下印花;
- 2.将印花放入温水中浸10秒, 然后放在干净布上。
- 3.拿着印花纸板将印花移到模型上;
- 4.手指蘸水将印花移到适当的位置;
- 5.用软布轻压印花直至水干, 气泡消失

## DECAL APPLICATION

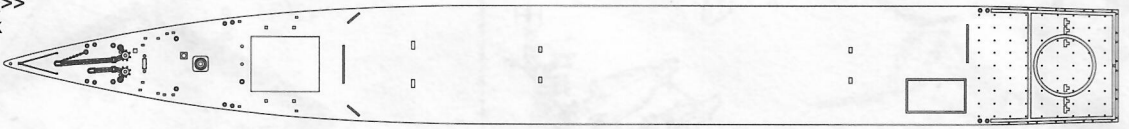
- 1.Cut decals from sheet as needed
- 2.Dip the decal in warm water for about 10 seconds and then place on soft clean cloth.
- 3.Hold the decal backing sheet edge and gently slide the decal onto the model in its proper position.
- 4.While still wet,decal can be adjusted for better fit on model by dampening it gently with your finger.
- 5.When placed in the proper position,gently press decal down with a soft cloth until excess water and air bubbles are gone.
- 6.Allow decal to dry completely before handling model

# 部品图 Parts

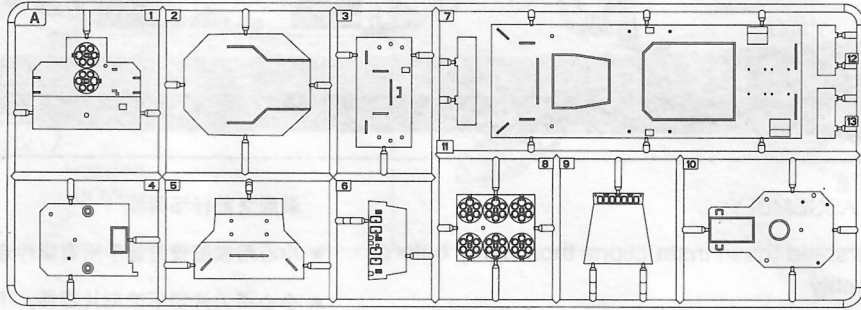
<<船体>>  
Hull



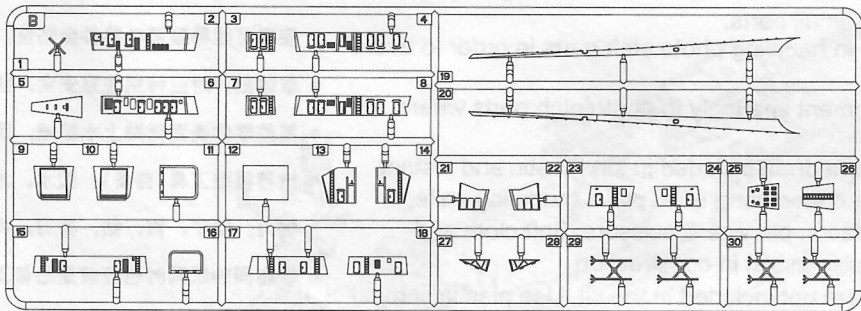
<<甲板>>  
deck



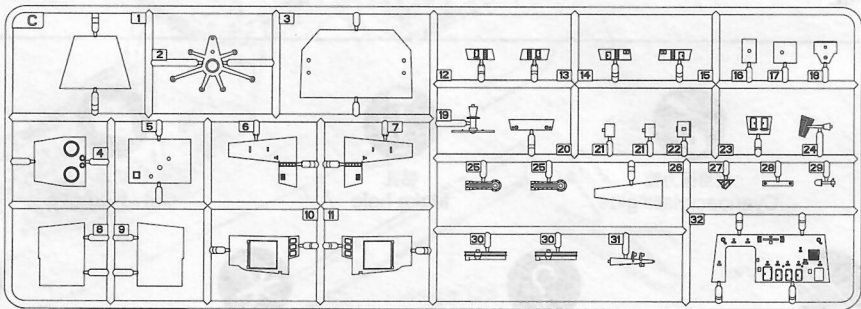
A



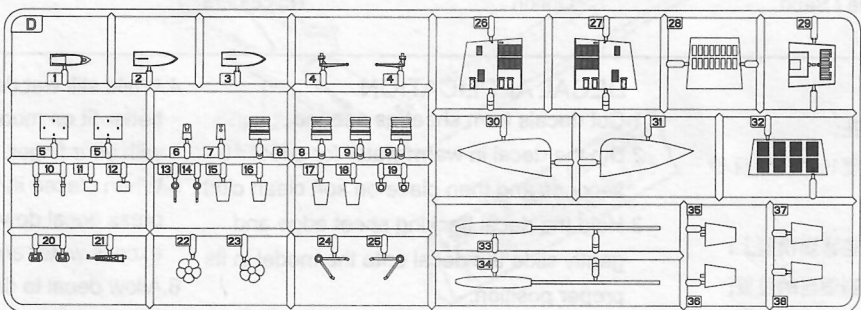
B



C

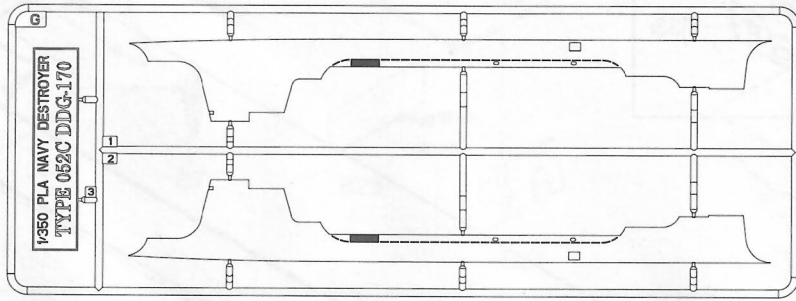


D

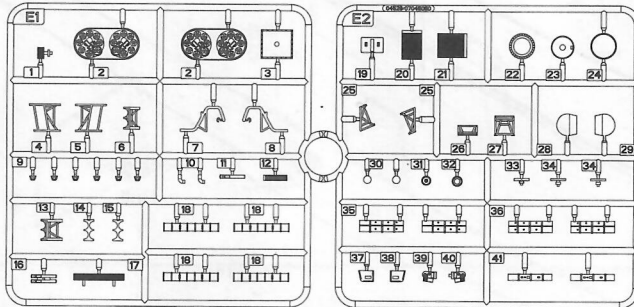


部品图  
Parts

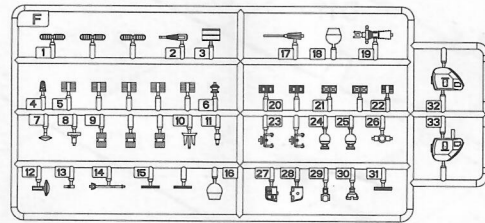
G



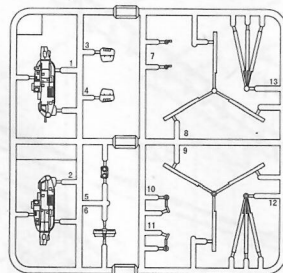
E x 2



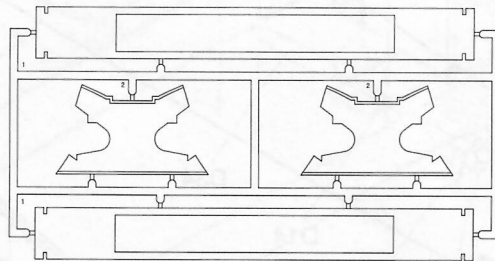
F x 2



Helicopter

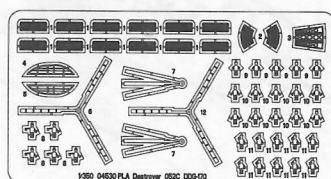


<<座架>>  
Stand



<<蚀刻片>>

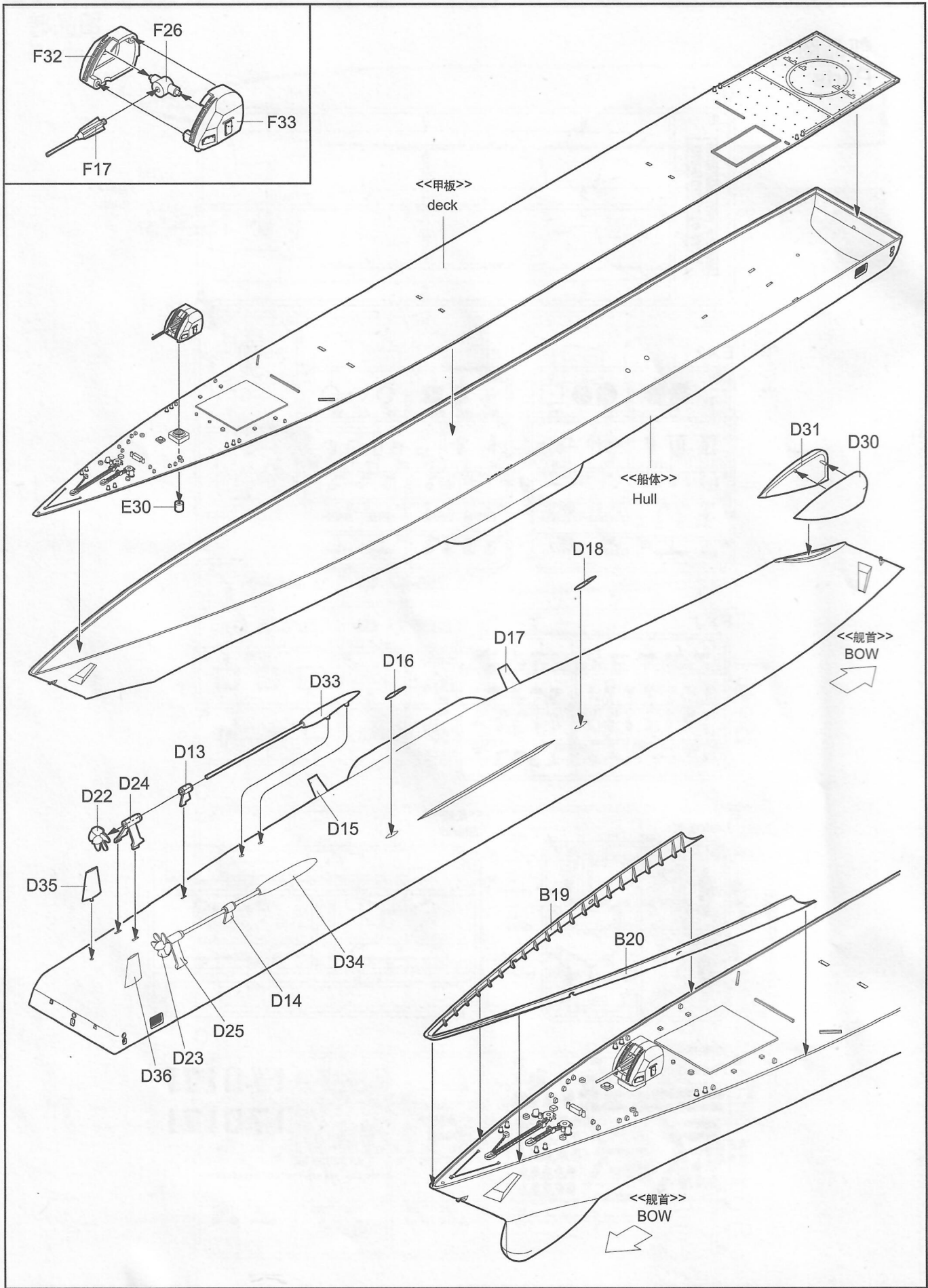
Photo etched



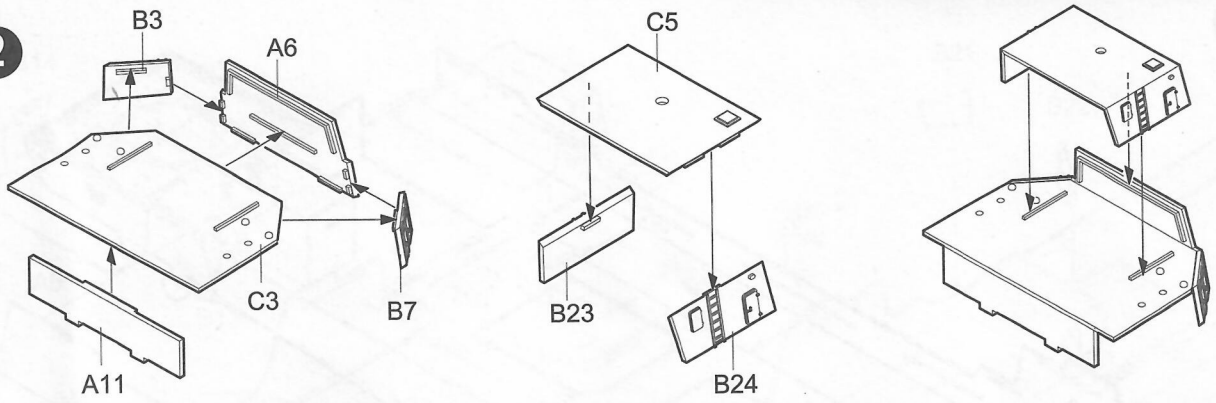
<<水贴>>  
Decal



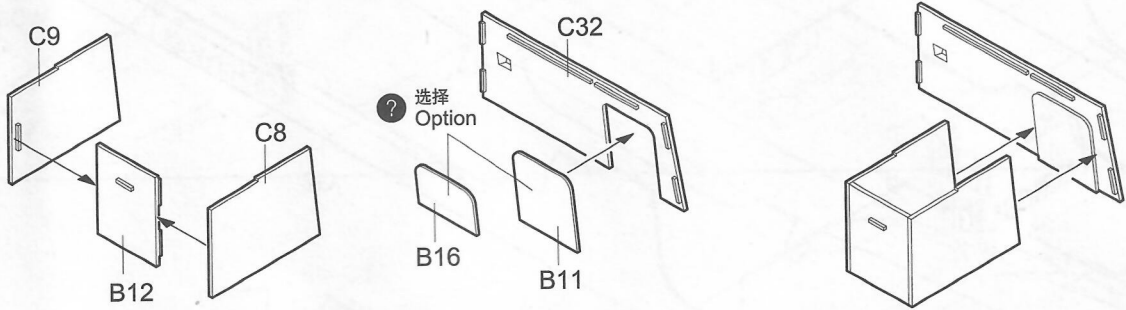
04530 1/350 PLA Navy 052C DDG-170 LANZHOU



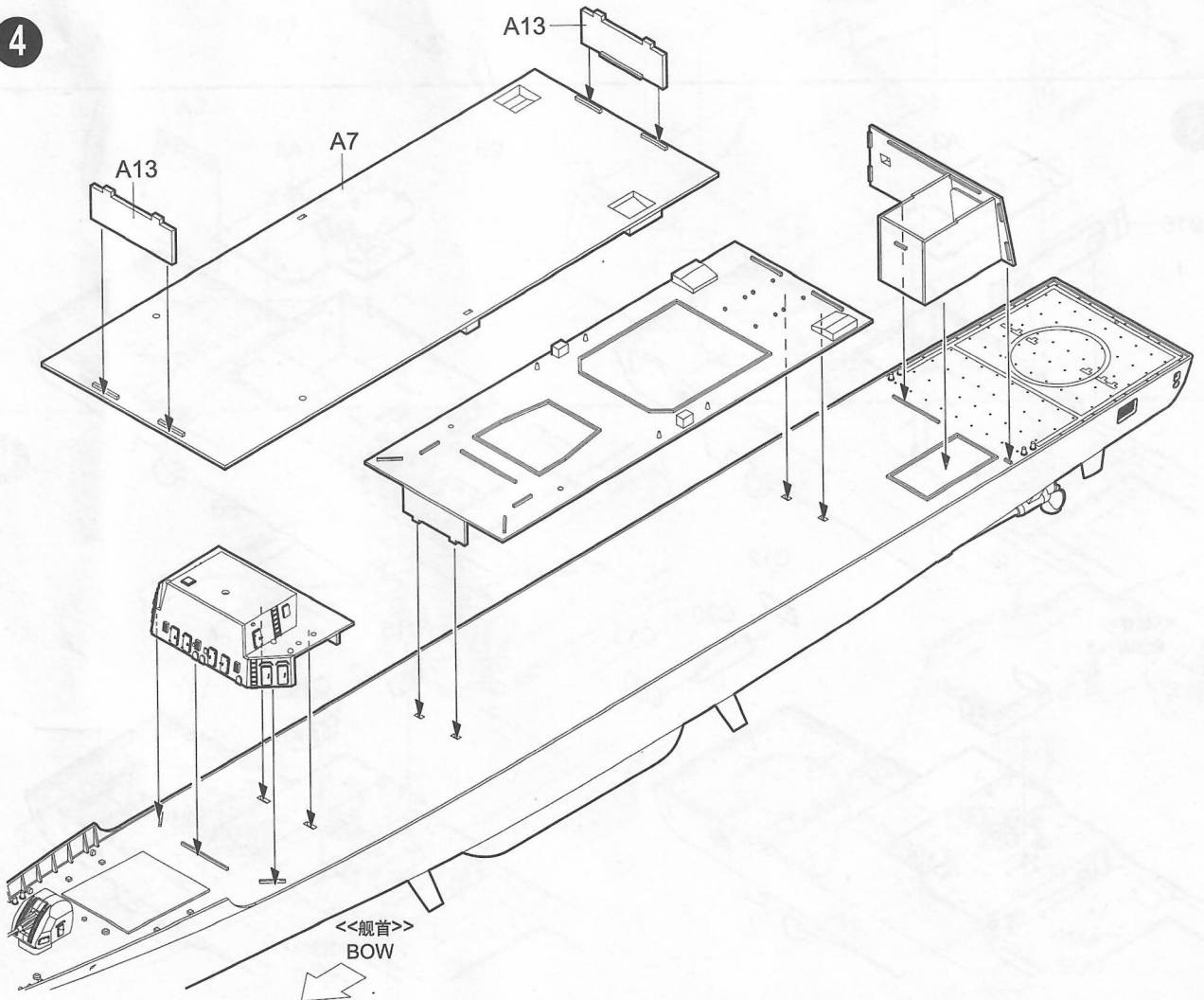
2



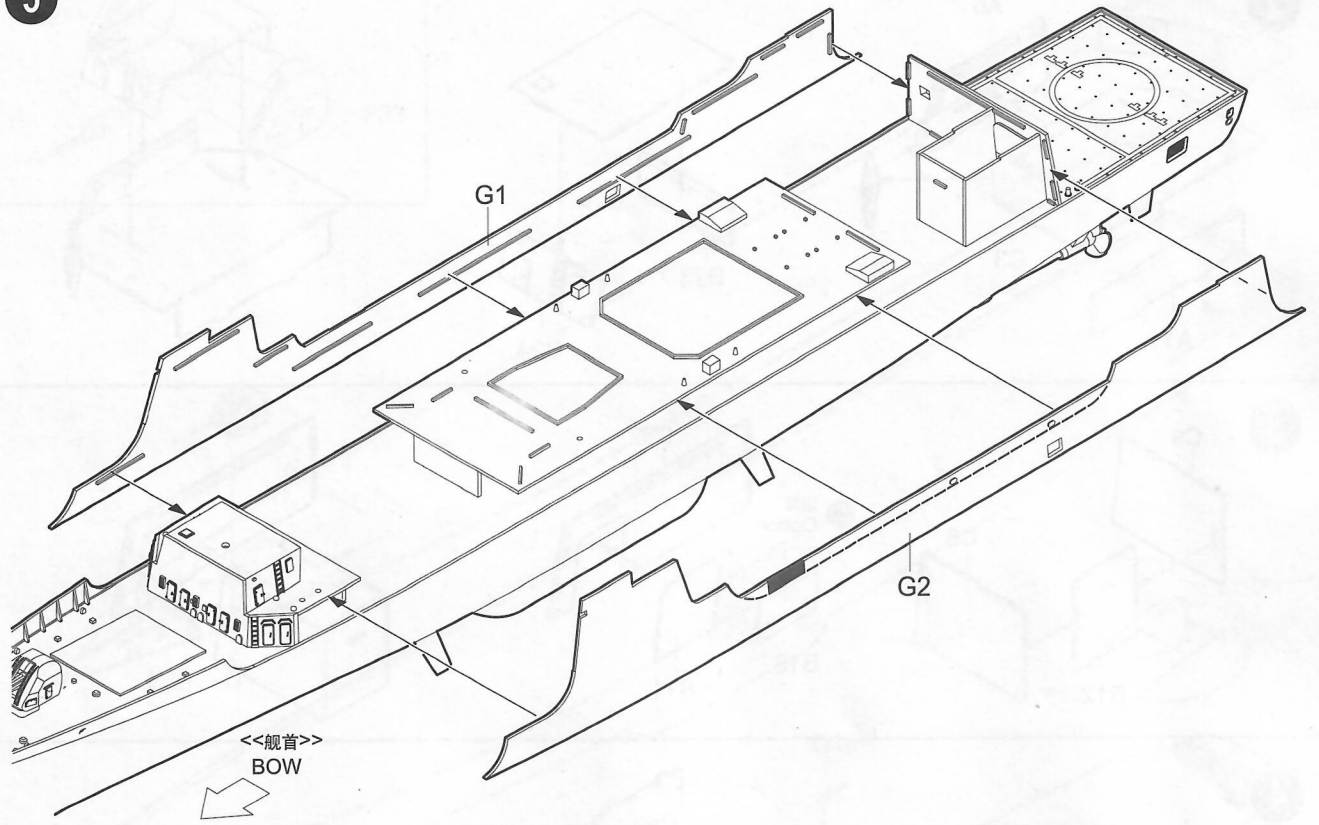
3



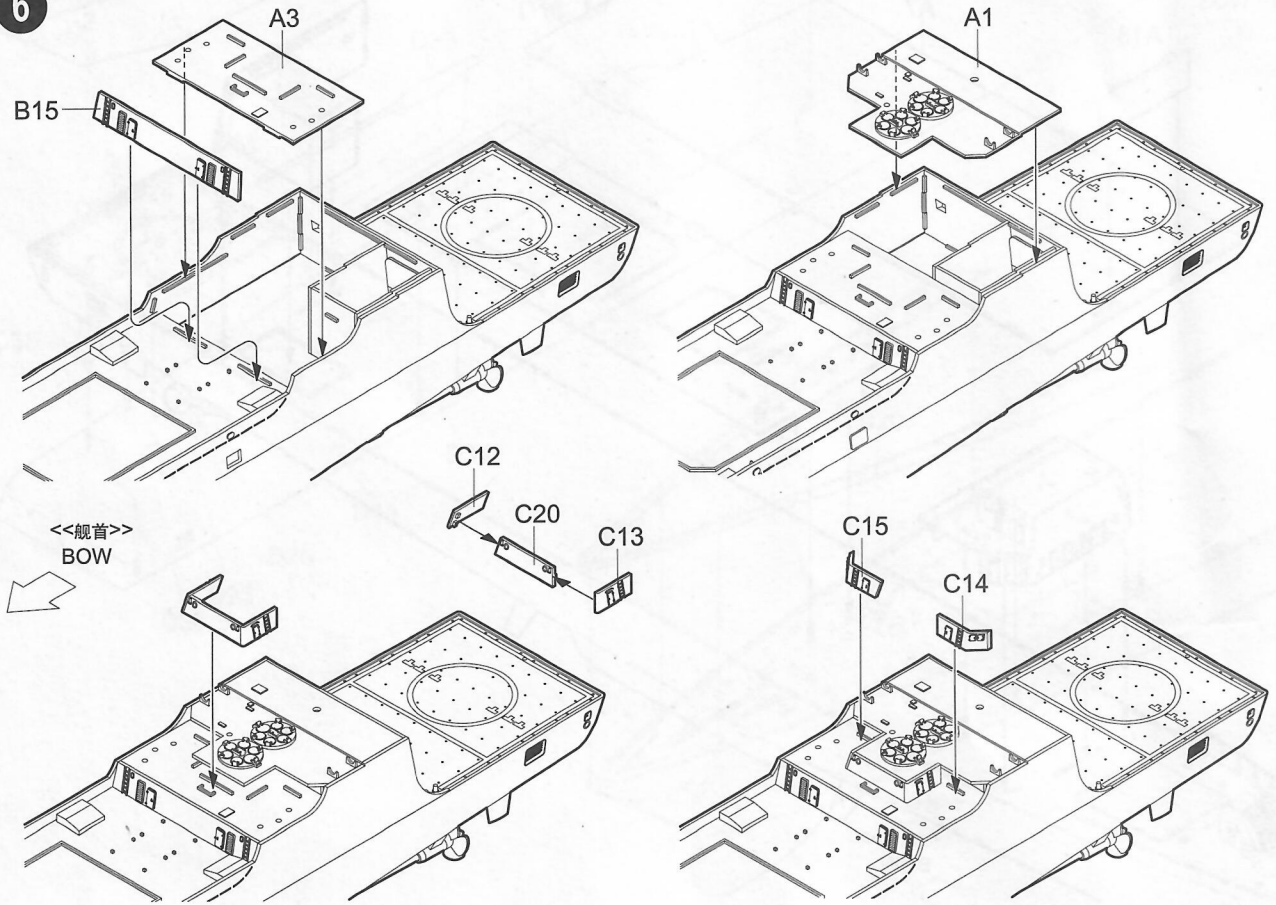
4



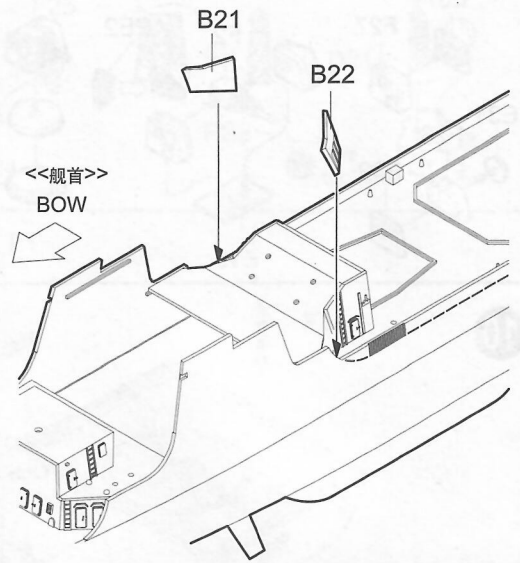
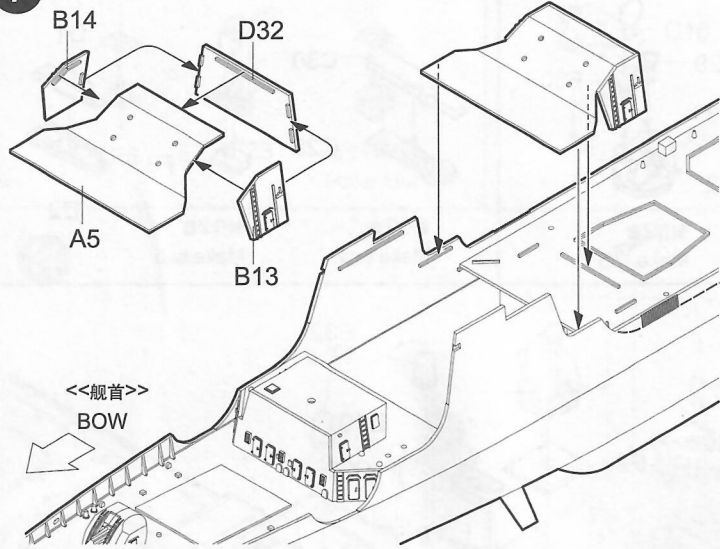
5



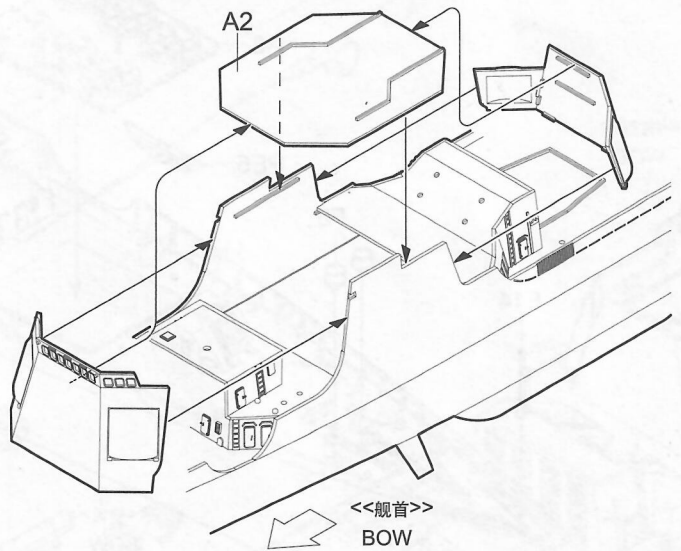
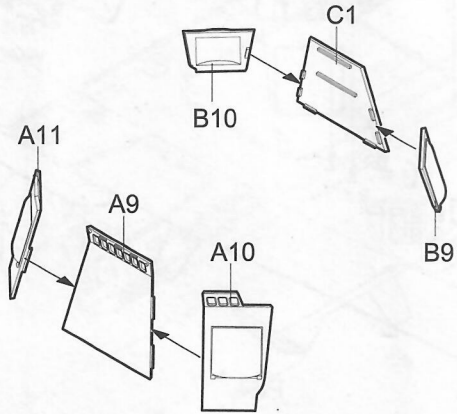
6



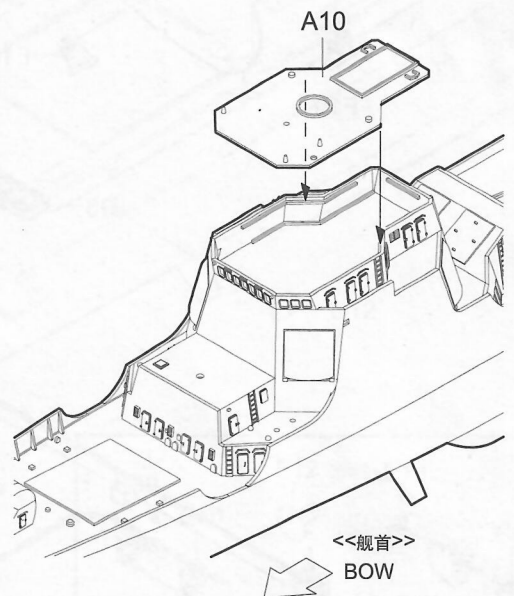
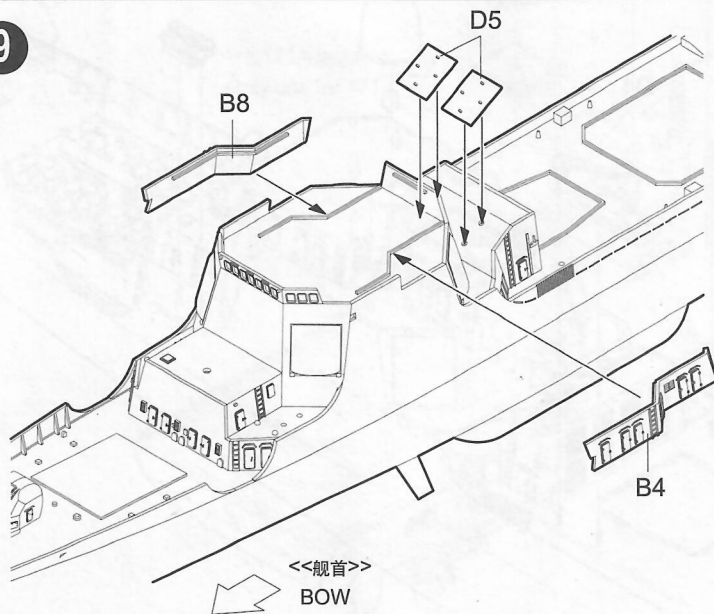
7

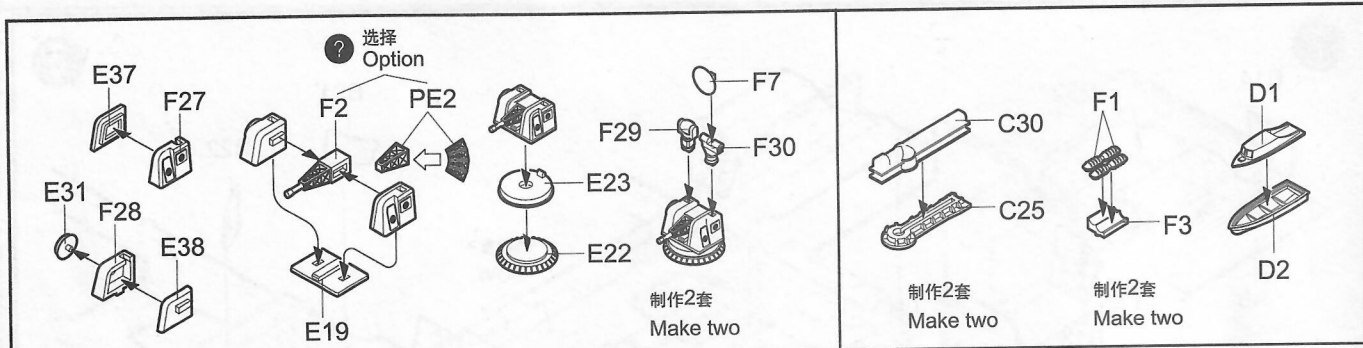


8

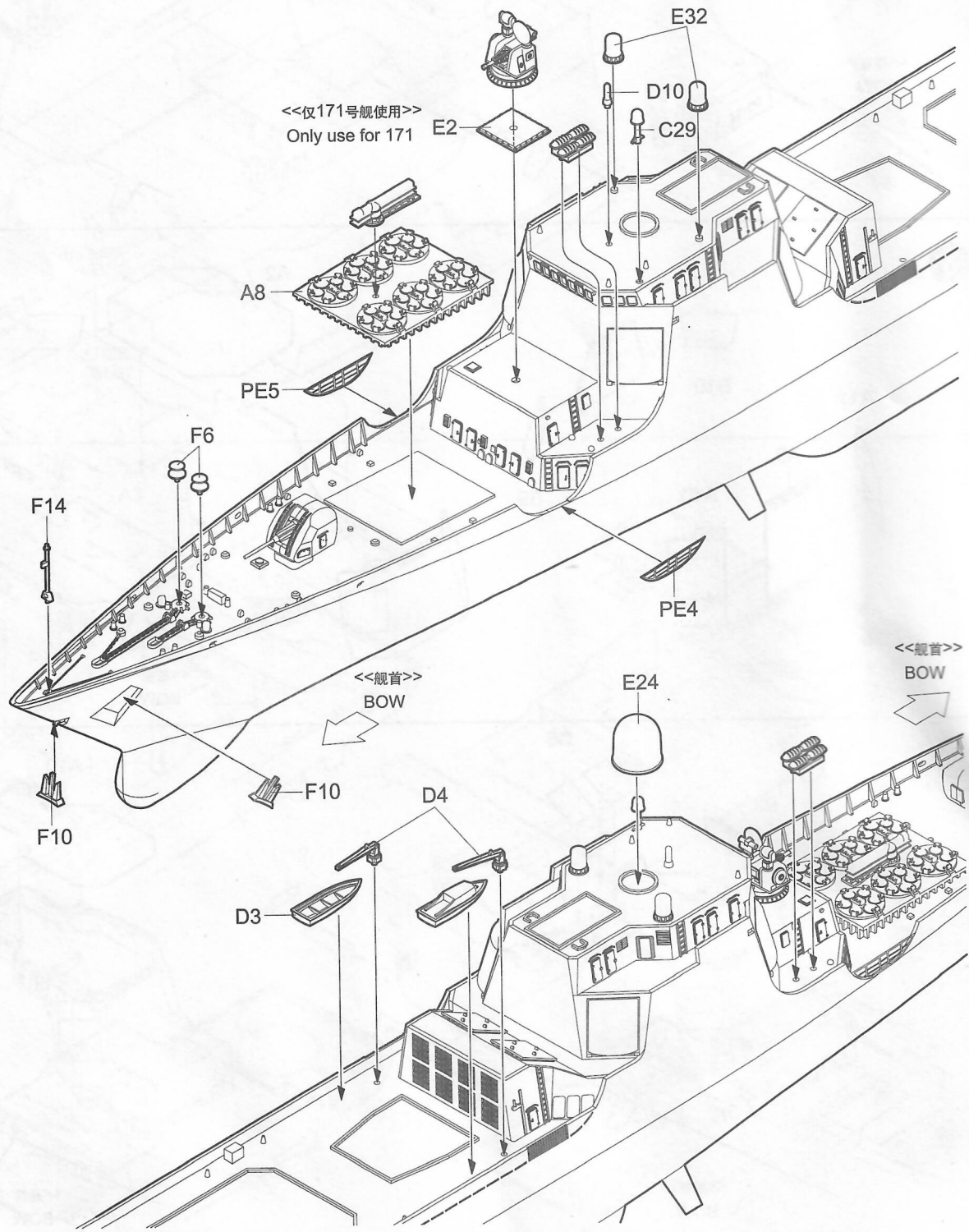


9





10



F9



F5



F23



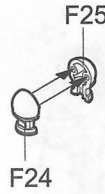
制作4套  
Make four



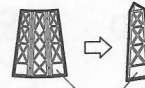
C18



C22

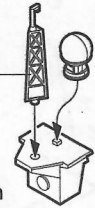


F24



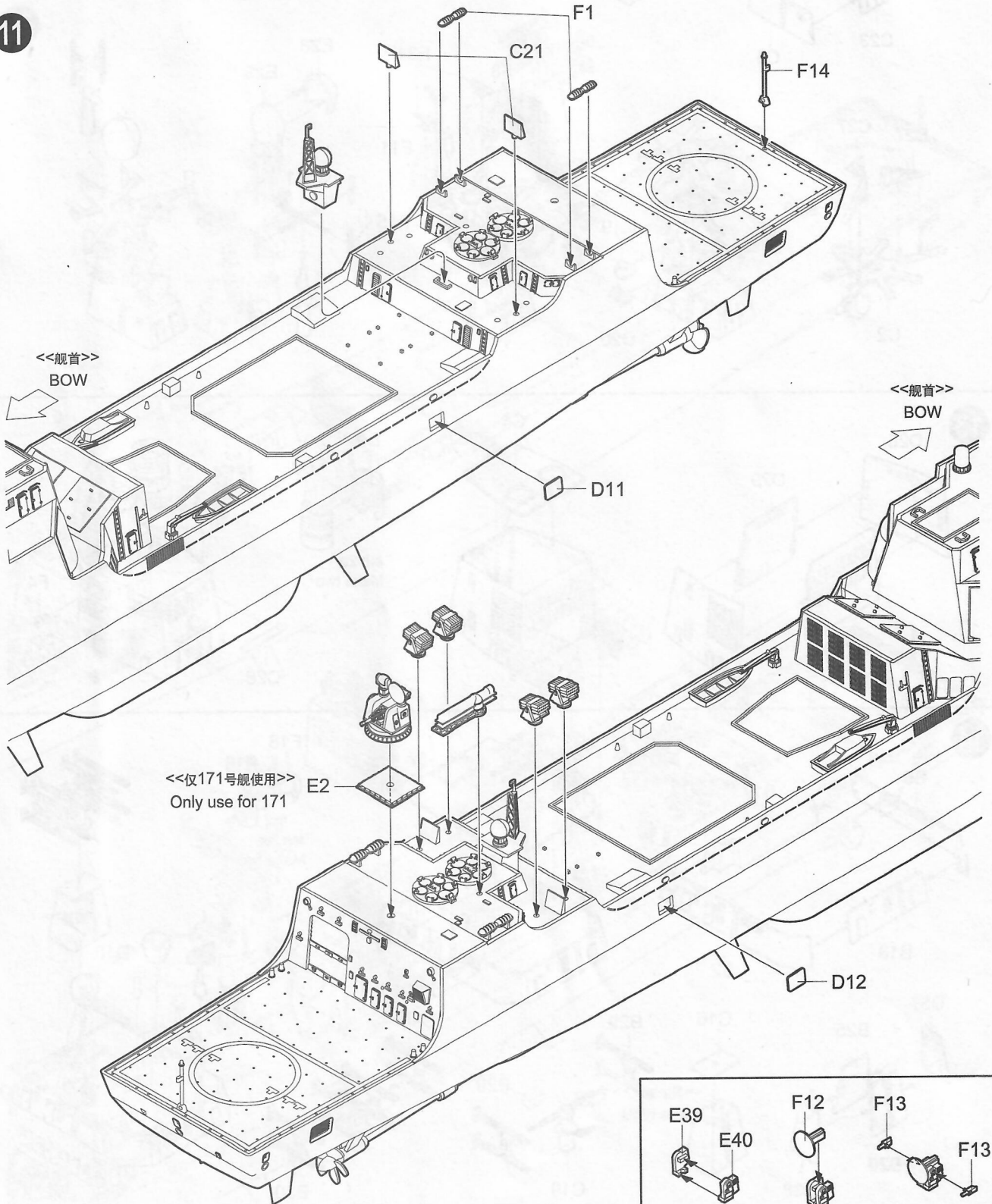
PE3

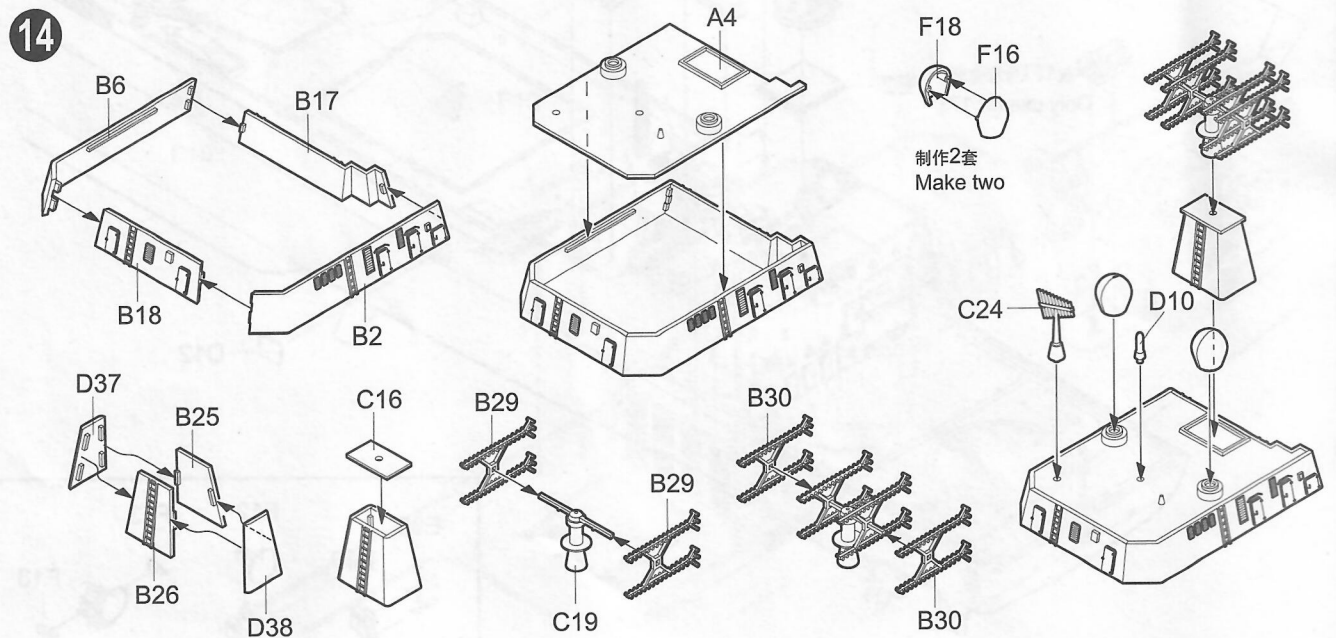
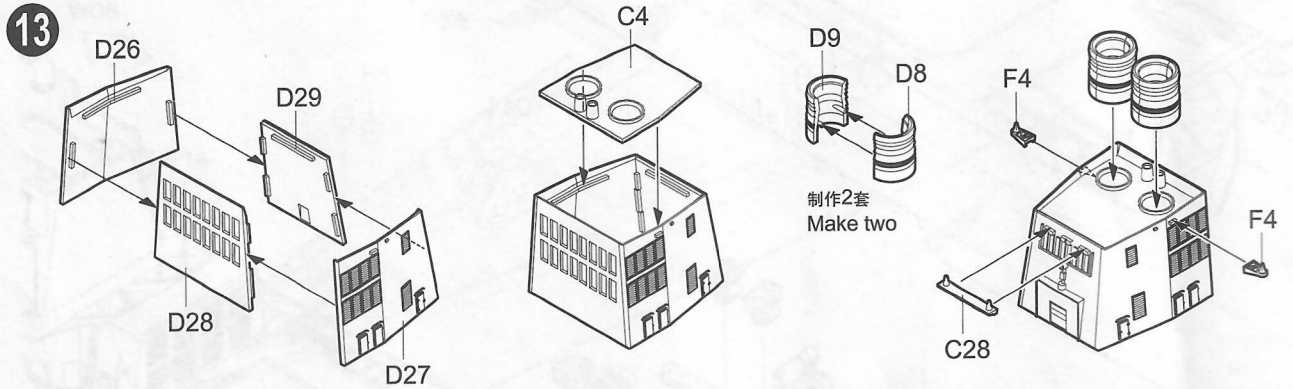
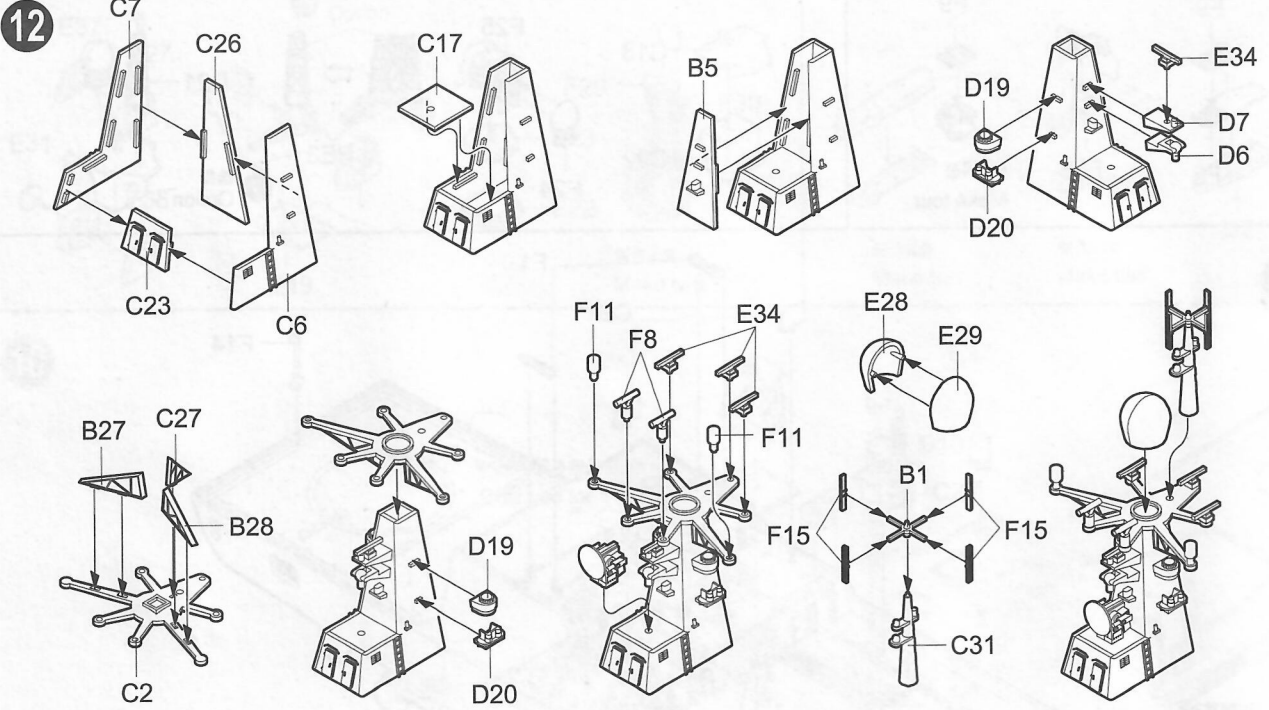
选择  
Option



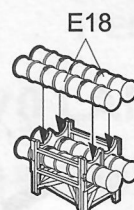
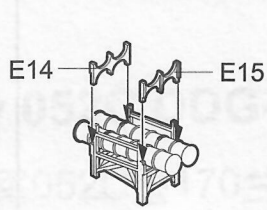
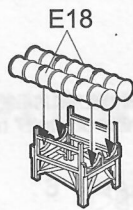
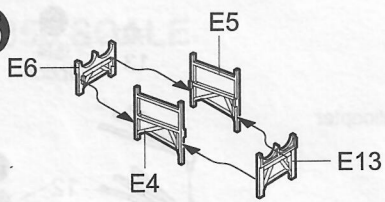
D21

11



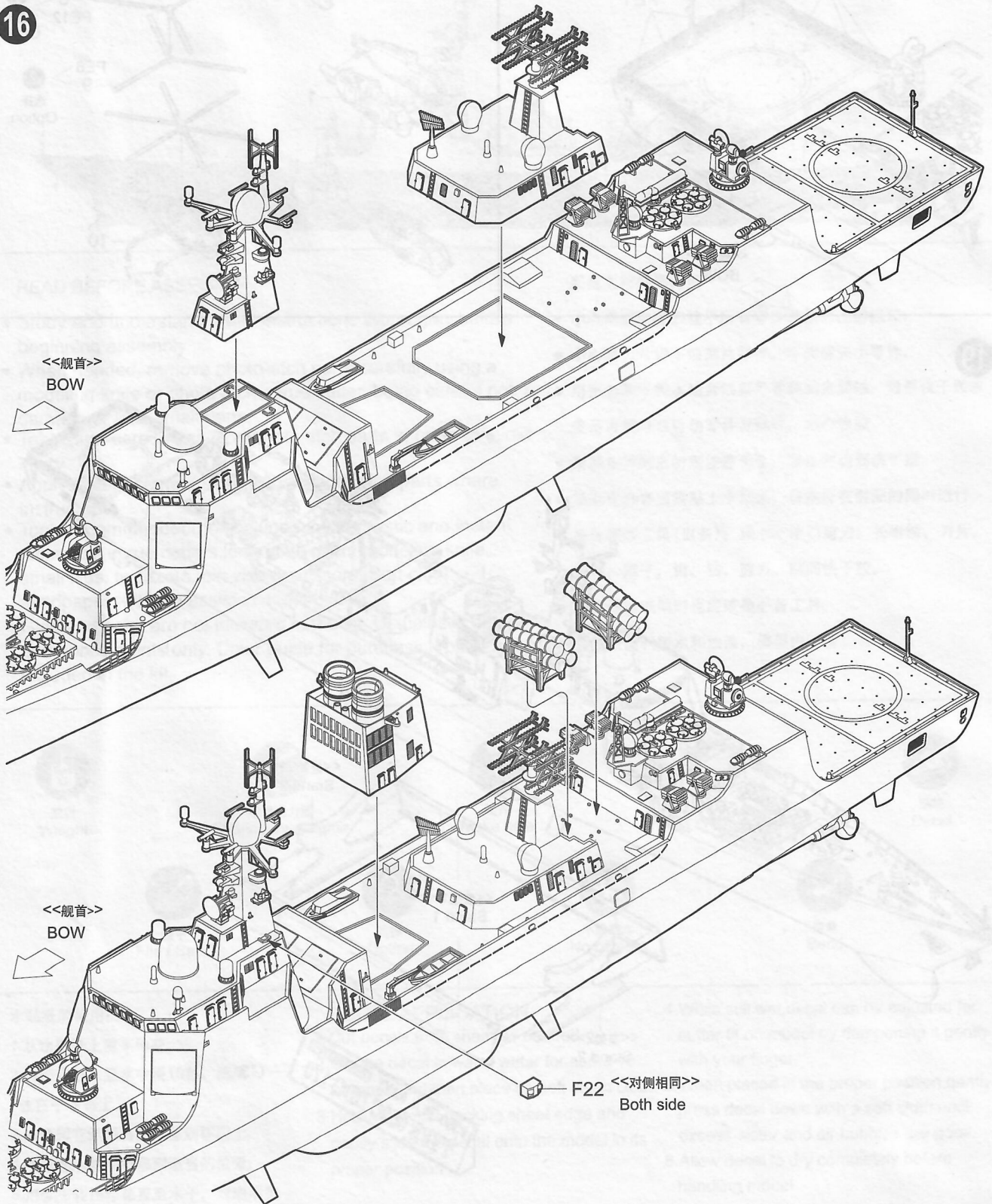


15

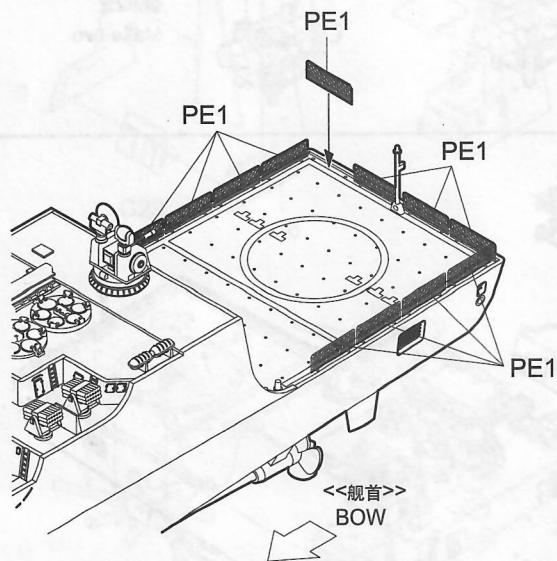


制作2套  
Make two

16

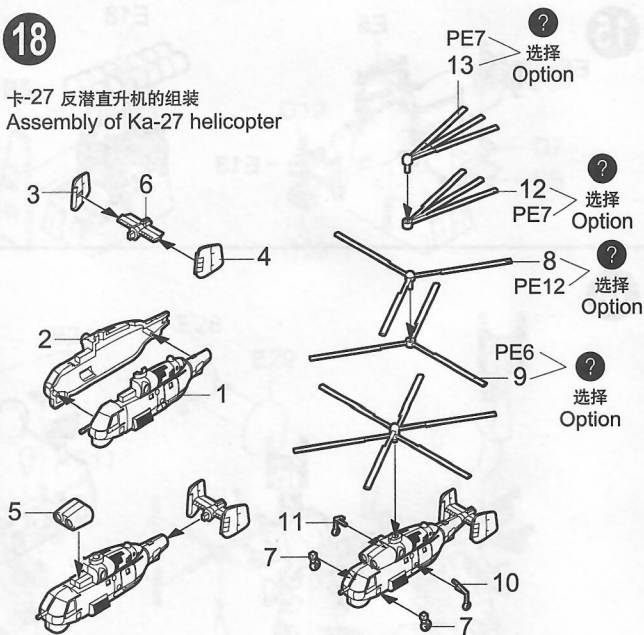


17

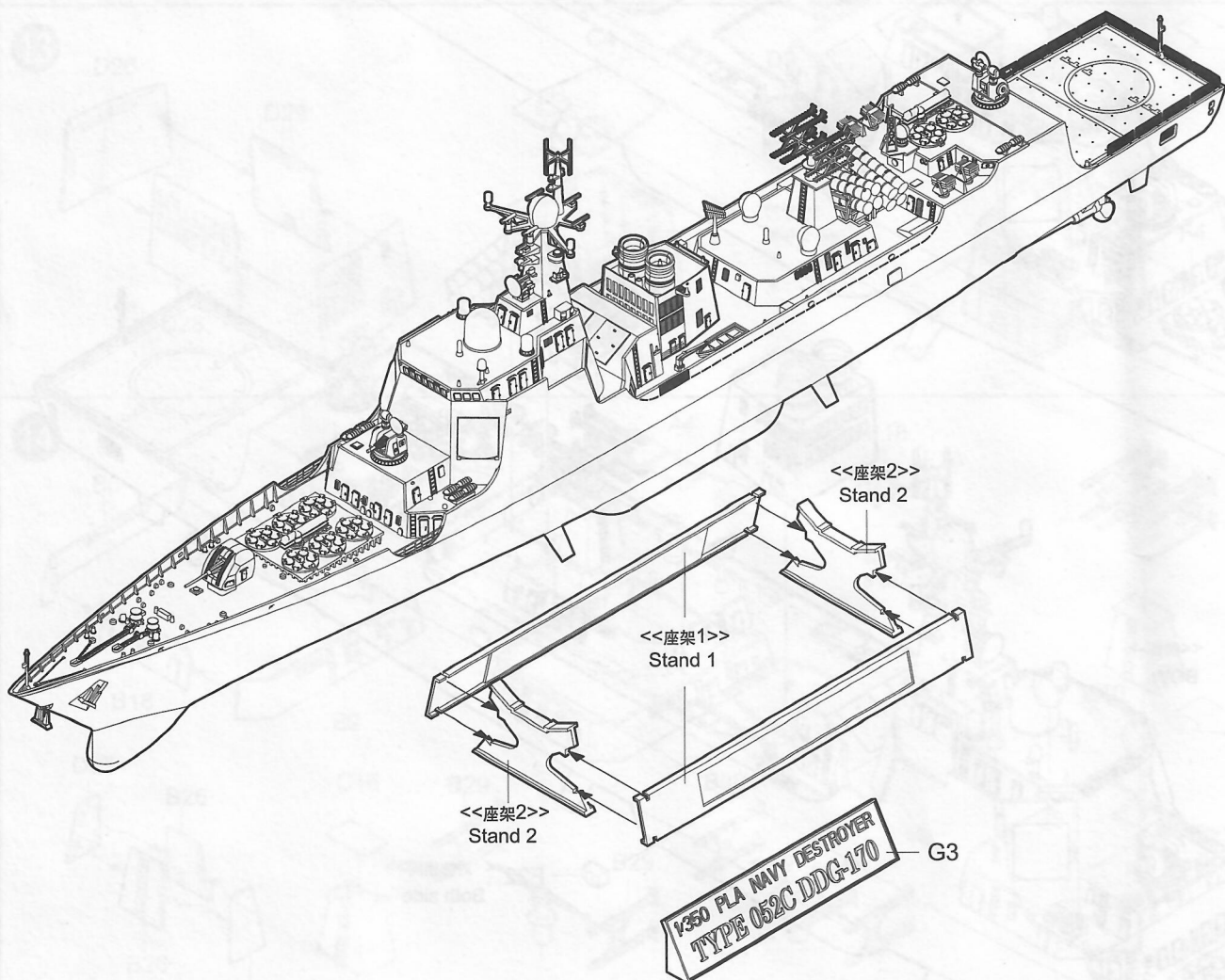


18

卡-27 反潜直升机的组装  
Assembly of Ka-27 helicopter

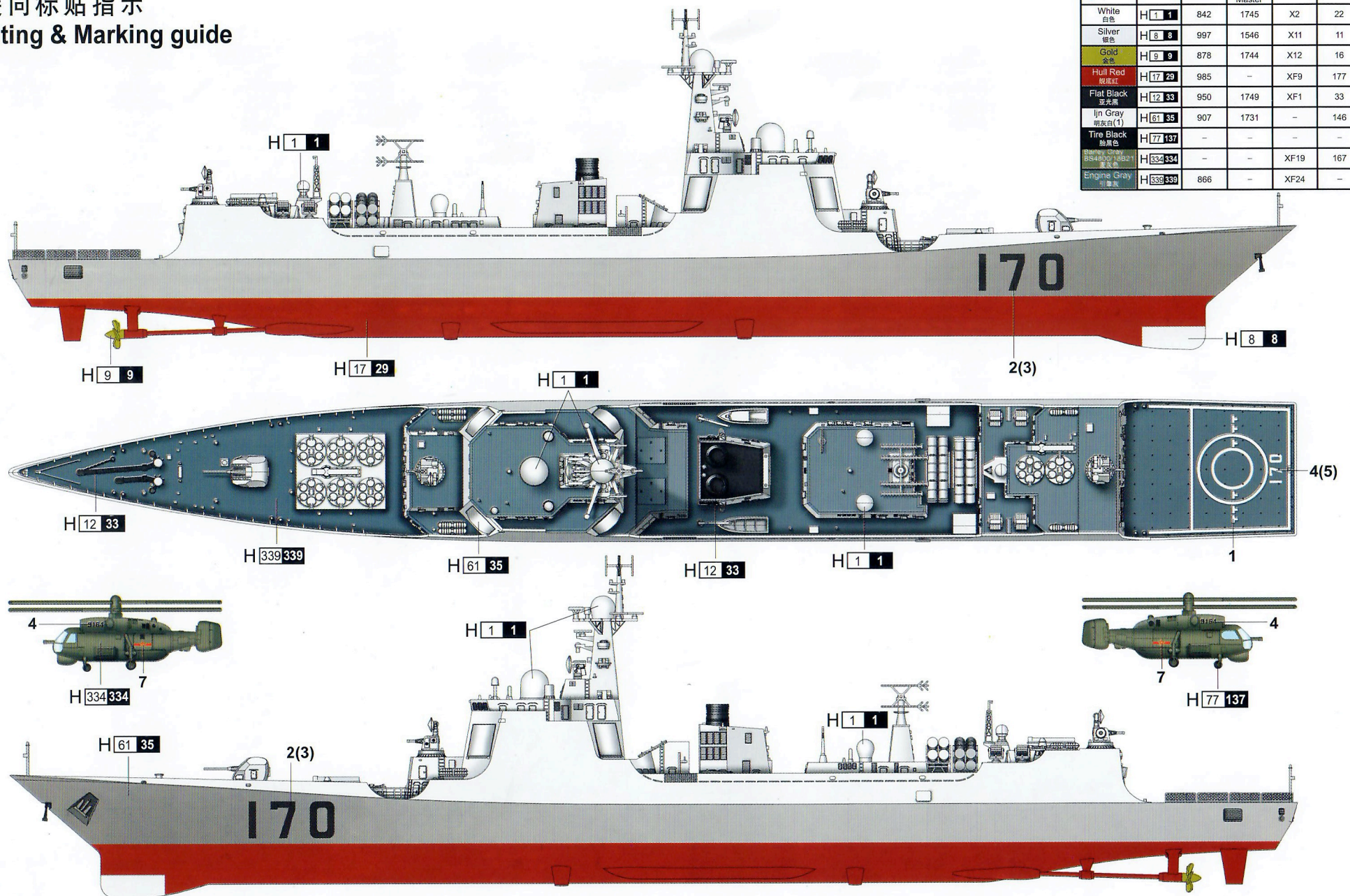


19



# 涂装同标贴指示 Painting & Marking guide

Color	Mr.Hobby	Vallejo	Model Master	Tamiya	Humbrol
White 白色	H 1 1	842	1745	X2	22
Silver 银色	H 8 8	997	1546	X11	11
Gold 金色	H 9 9	878	1744	X12	16
Hull Red 舰底红	H 17 29	985	-	XF9	177
Flat Black 亚光黑	H 12 33	950	1749	XF1	33
Ijn Gray 明灰白(1)	H 61 35	907	1731	-	146
Tire Black 胎黑色	H 77 137	-	-	-	-
Engine Gray BS440C 13521 发动机灰	H 334 334	-	-	XF19	167
Engine Gray 引擎灰	H 339 339	866	-	XF24	-



H □ AQUEOUS HOBBY COLOR      ■ Mr. COLOR