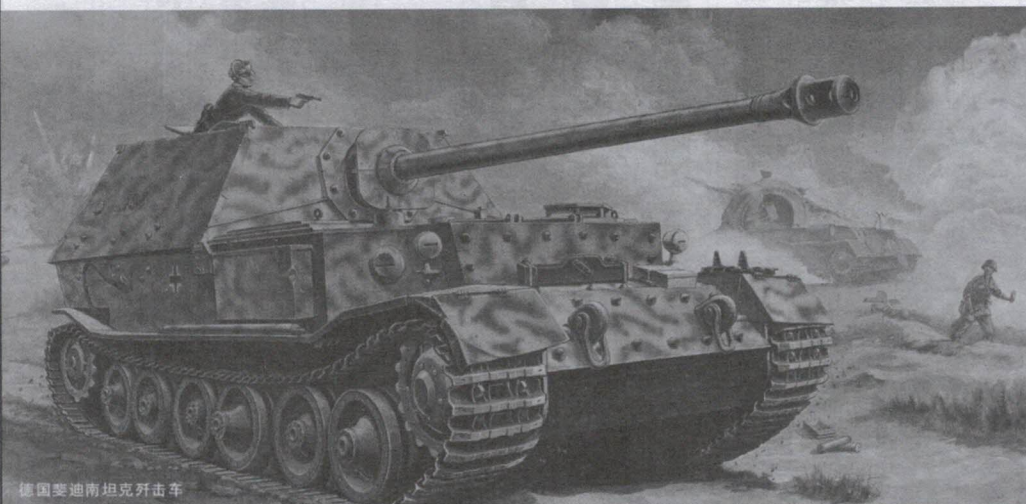


1:72 Scale **Sd.Kfz. I 84 Ferdinand**

德国斐迪南坦克歼击车



德国斐迪南坦克歼击车

READ BEFORE ASSEMBLY

- Study and understand this instructions thoroughly before beginning assembly.
- Remove all injection pins carefull using a modeling file.
- Cut off the photo-etched parts carefully using a modeling knife. Be sure not to lose small parts.
- Apply instant cement to photo etched parts and shafts. Apply too much instant cement will cause movable parts to stick. Apply cement carefully.
- Extra care should be taken to avoid personal injury when handling the photo etched parts.
- Some parts should depend on decals. Select piror to assembly.
- Tools recommended: (Not included in this kit)
- Cement; Side cutters; Long nose pliers; Modeling knife; Modeling file; Tweezers; Pin vise; Scissors; Instant cement.
- Soft cloth and sand paper will also assist in construction.
- Glue and paints are not included in the kit. Use plastic cement or paints only.
- Keep out of reach of small children. Children must not be allowed to suck any part, or pull vinyl bay over the head.

装配之前仔细阅读

- 小心用模型锉刀锉平所有零件表面的注射浇口。
- 小心用刀片切下蚀刻片零件，不要遗失小零件。
- 用强力快干胶水粘合蚀刻片零件和金属轴。过量的快干胶水使用可能导致可动零件会粘住，小心涂胶。
- 取蚀刻片时应特别注意安全，防止利边划伤手指。
- 某些零件表面需贴上水贴纸，请选择在装配的同时进行。
- 推荐模型工具(自备)：胶水，水口剪刀，长咀钳，刀片，锉刀，镊子钳，钻，剪刀，瞬间快干胶。
- 软布同砂纸同时也应该是必备工具。
- 请使用塑料胶水和油漆，模型内不含。
- 谨防小孩吸吮塑料零件，或者将塑料袋套在头上，制作时应将套材远离小孩接触。

cyanoacrylate glue
使用强力胶weight
配重make hole
钻孔cut / remove
切除bend
弯曲file / sand
锉平option
选择no cement
不涂胶水decal
贴纸

水贴纸的使用:

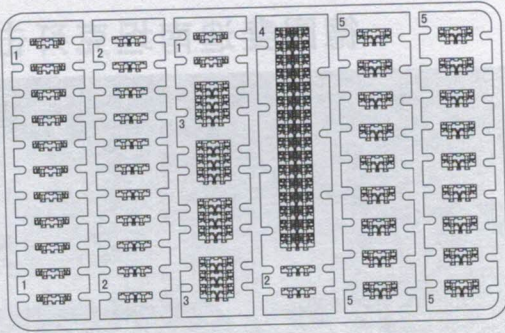
1. 从水贴上剪下印花;
2. 将印花放入温水中浸10秒, 然后放在干净布上。
3. 拿着印花纸板将印花移到模型上;
4. 手指蘸水将印花移到适当的位置;
5. 用软布轻压印花直至水干, 气泡消失。

DECAL APPLICATION

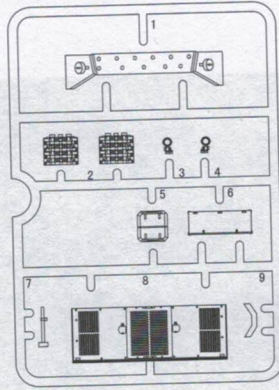
1. Cut off decal from sheet.
2. Dip the decal in tepid water 40°C for about 10 sec. and lace on a clean cloth.
3. Hold the backing sheet edge and slide decal onto the model.
4. Move decal into position by wetting decal with finger.
5. Press decal gently down with a soft cloth until excess water and air bubbles are gone.

部品图 Parts

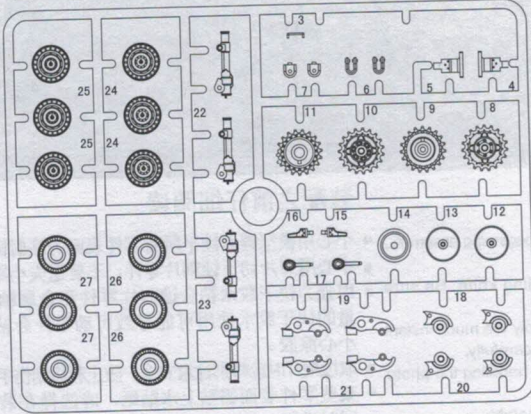
A×2



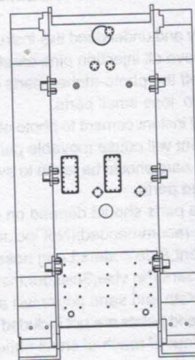
D2



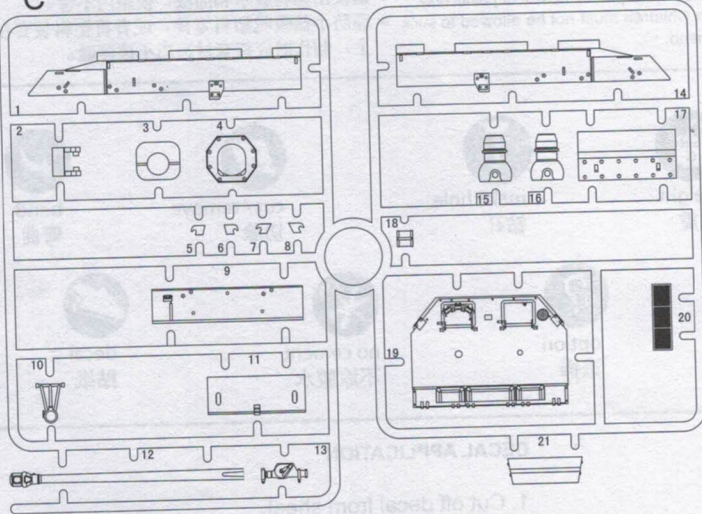
B×2



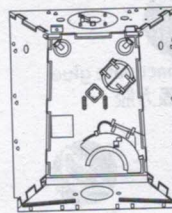
《车底》
Lower hull



C



《炮塔》
Turret

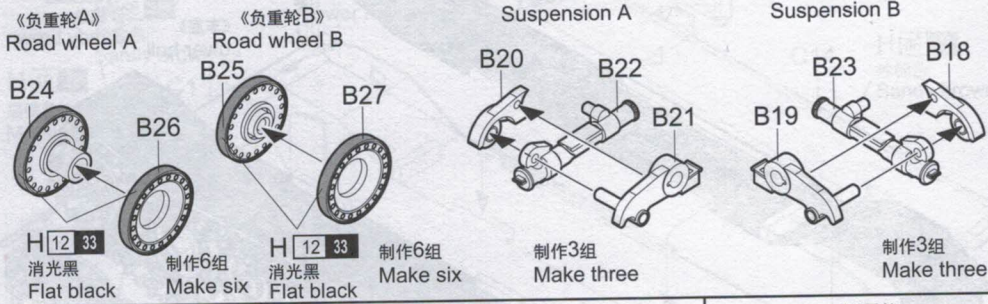


《履带》×2
Turret×2

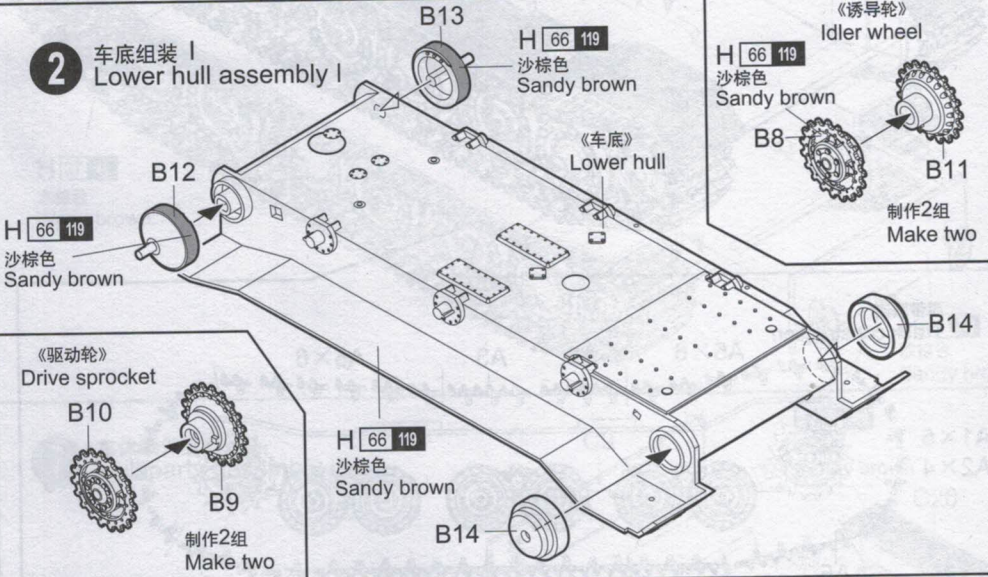


不用零件: B1、B2
No parts: B1、B2

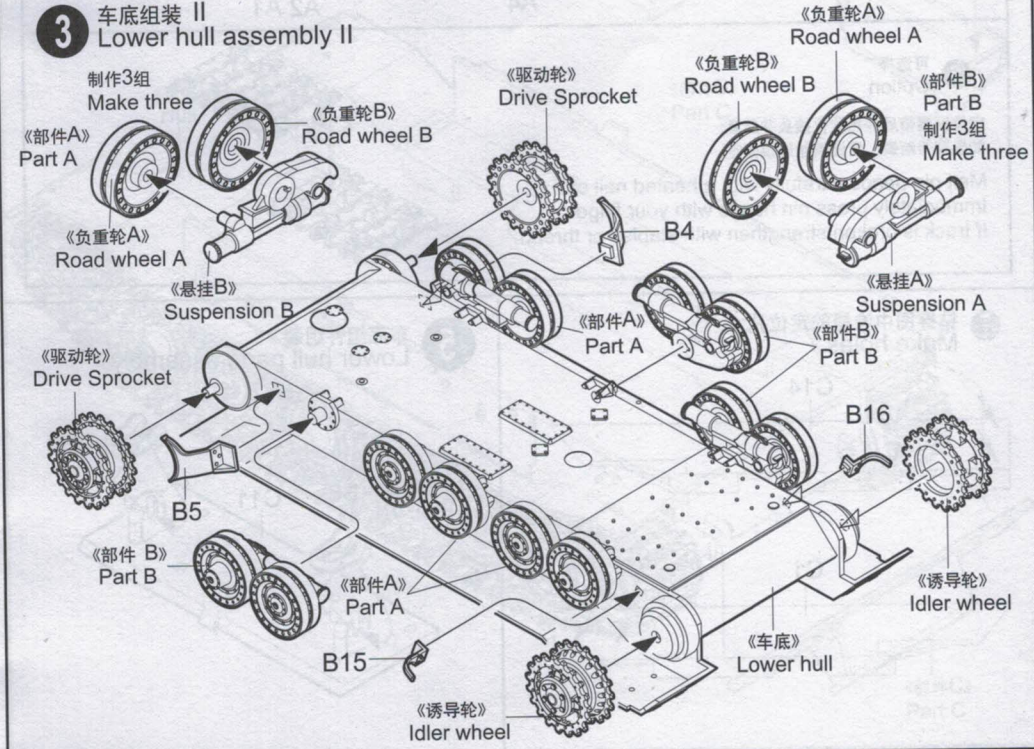
1 负重轮组装 Road wheel assembly



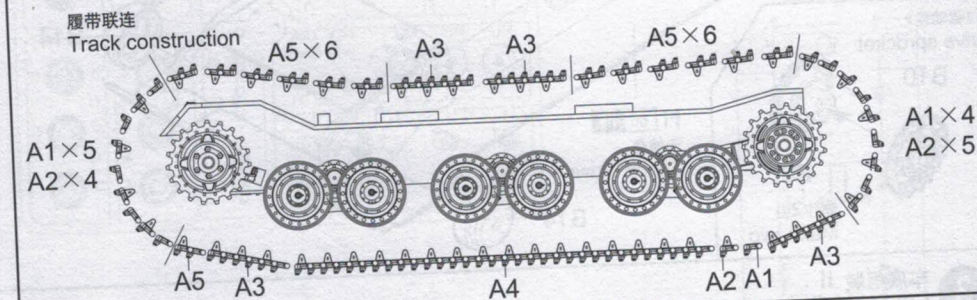
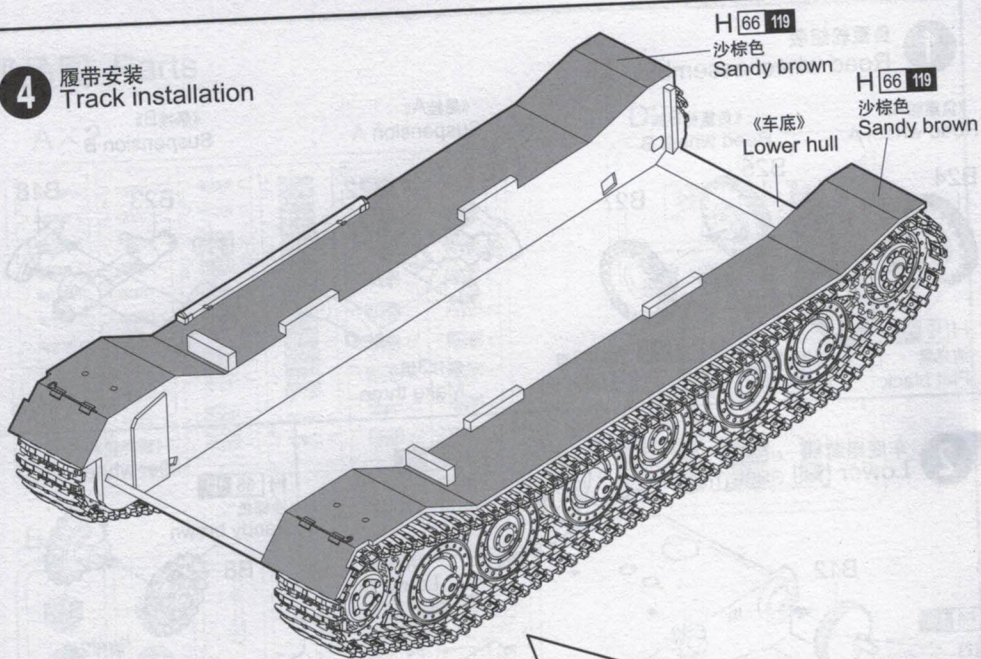
2 车底组装 I Lower hull assembly I



3 车底组装 II Lower hull assembly II



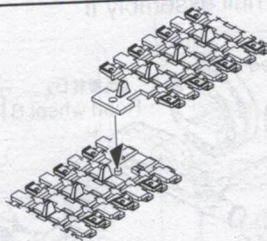
4 履带安装 Track installation



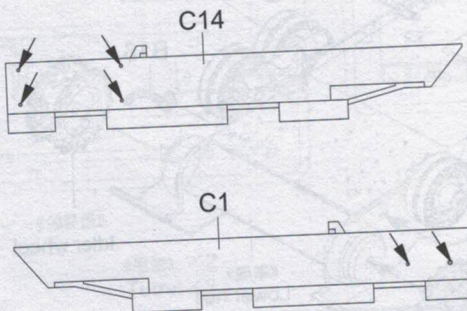
② 可选择 Option

定位好履带后加热软化接头并压紧；
如果履带断裂，用细铜丝连接固定。

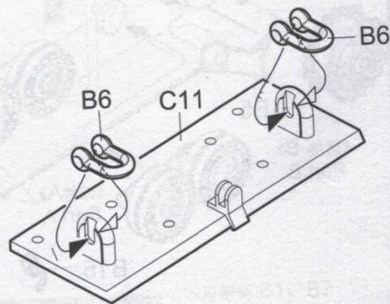
Melt pin heads carefully with a heated nail etc.
Immediately press pin heads with your finger;
If track is broken strengthen with staples or thread.



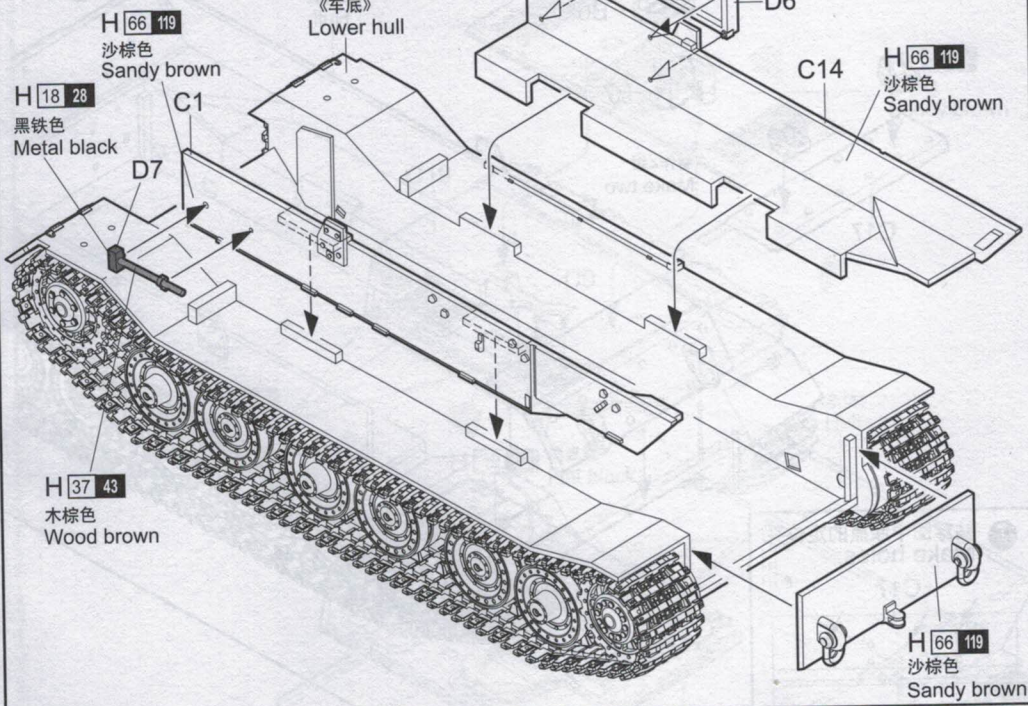
① 钻穿图中涂黑的定位孔 Make holes



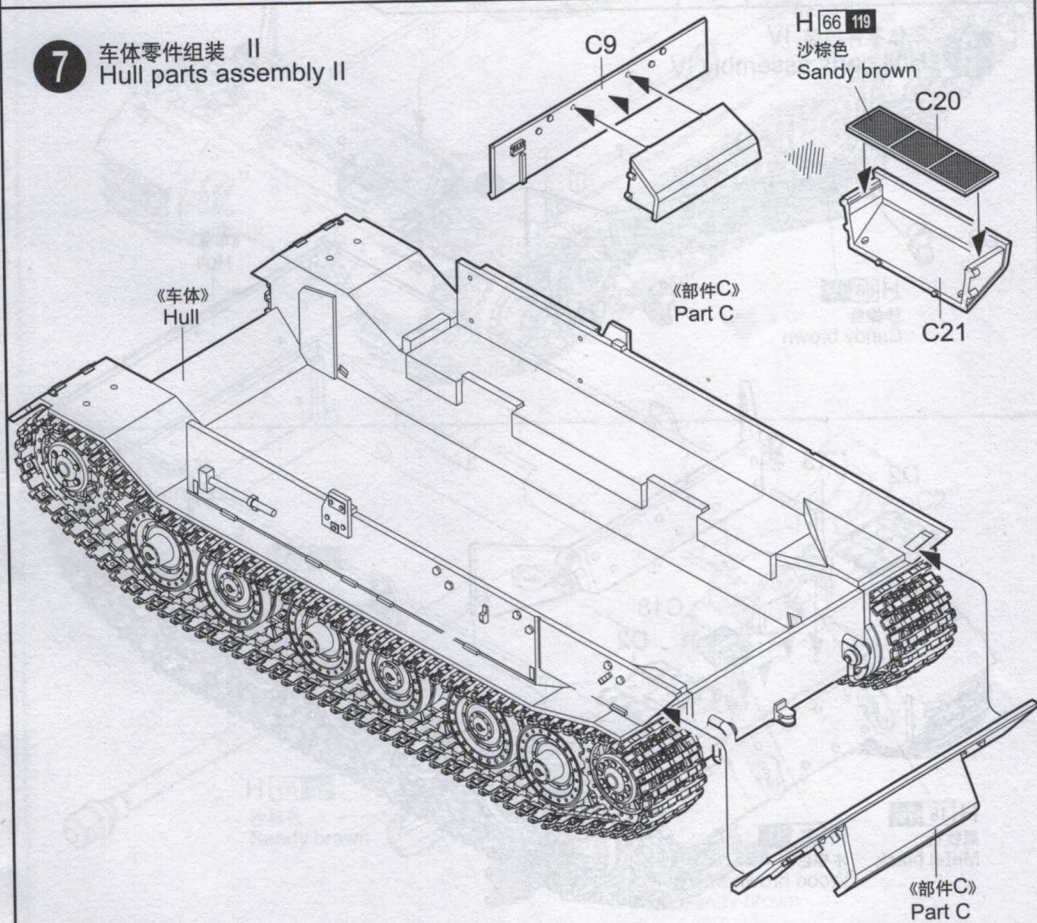
5 车底组件组装 Lower hull parts assembly



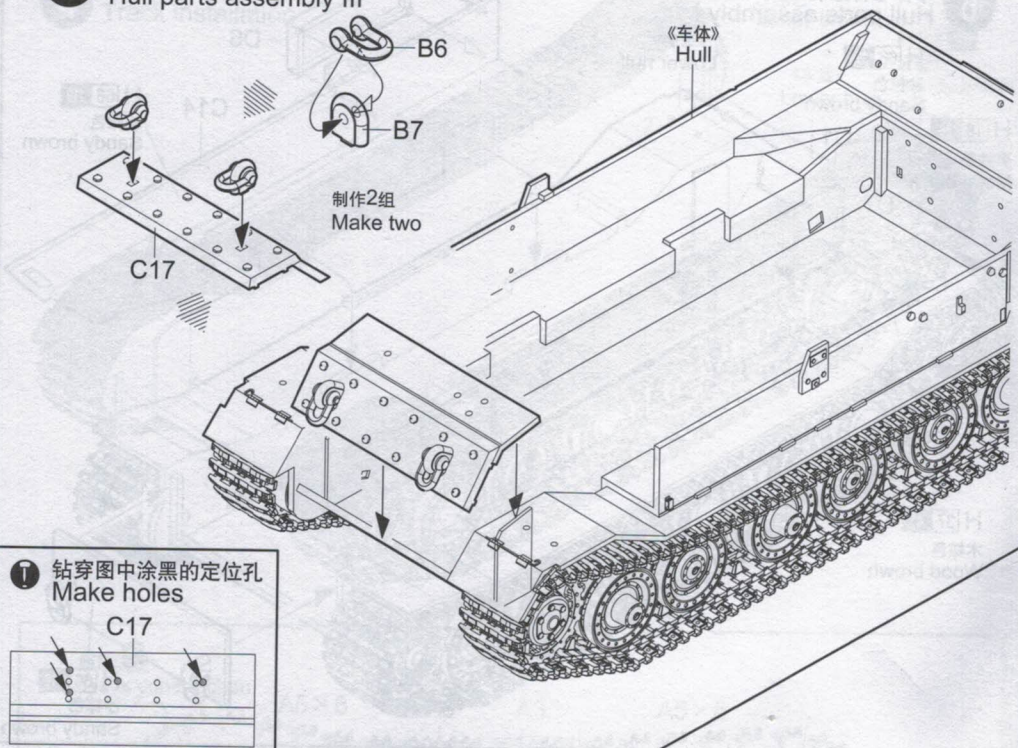
6 车体零件组装 I
Hull parts assembly I



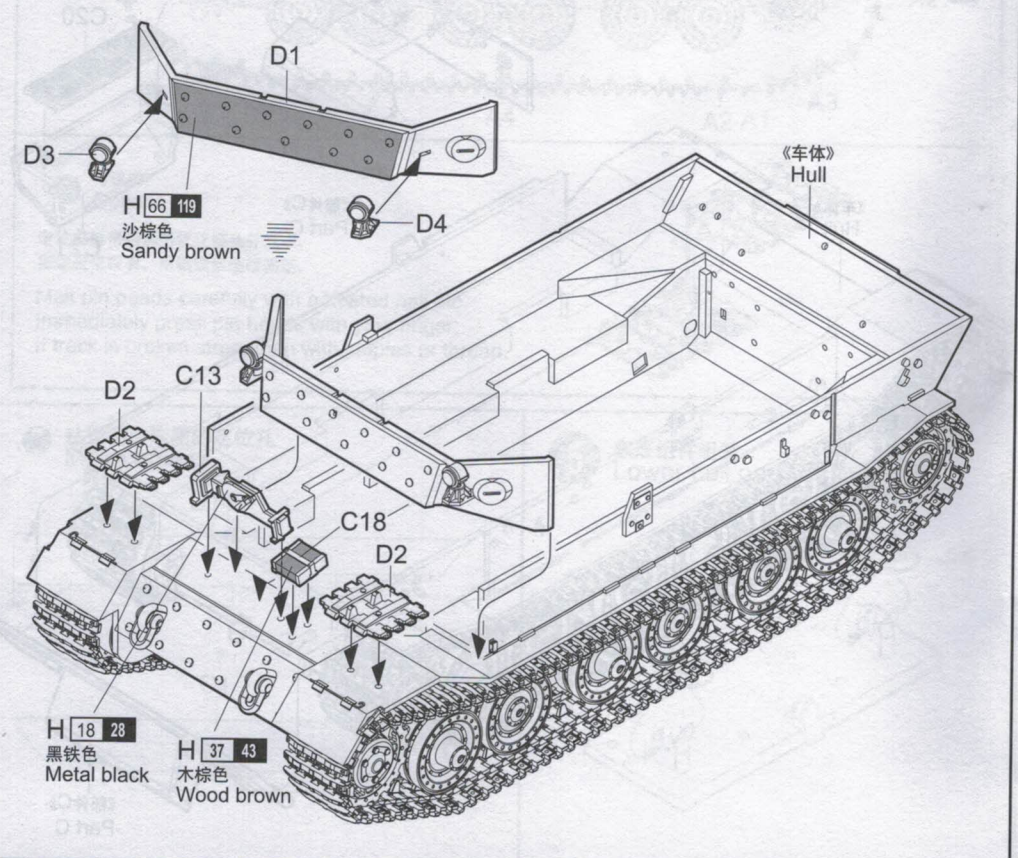
7 车体零件组装 II
Hull parts assembly II



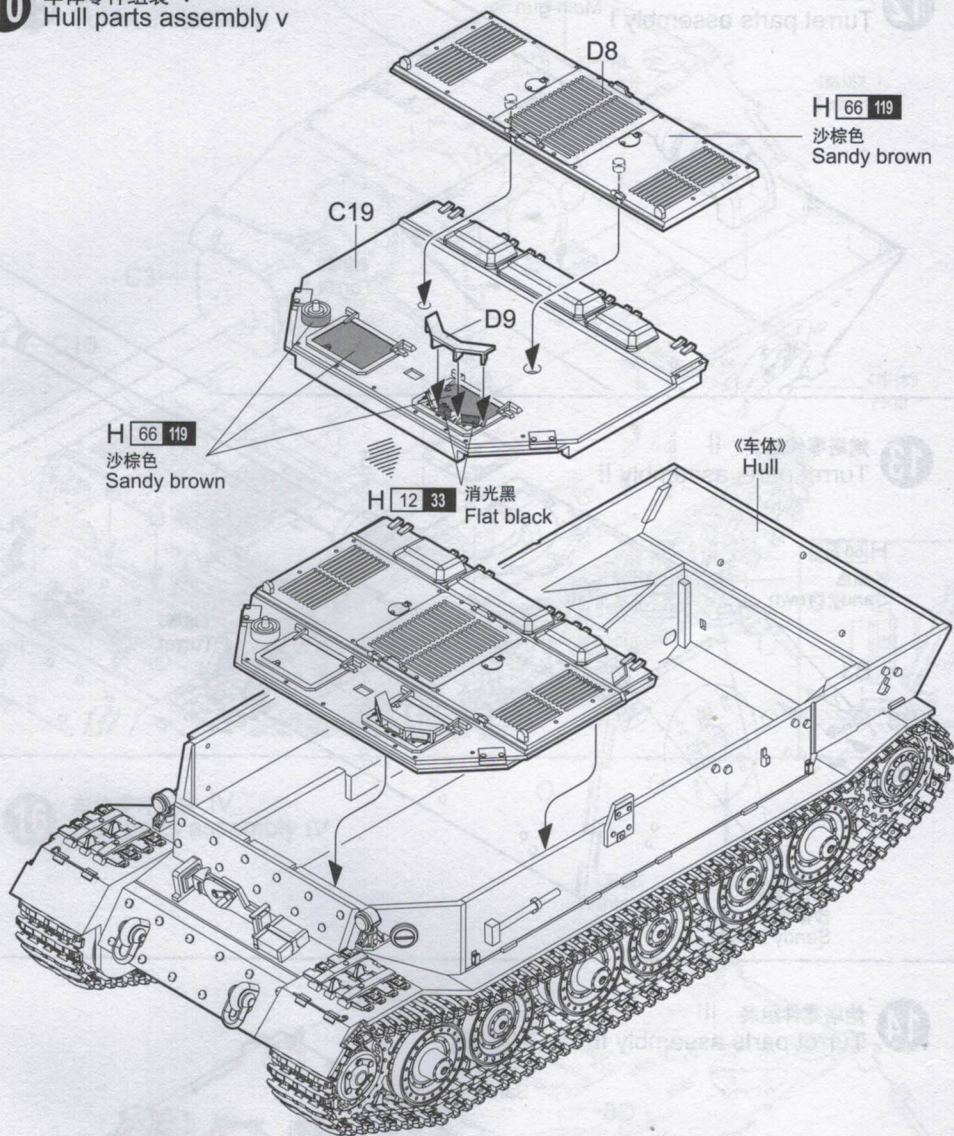
8 车体零件组装 III
Hull parts assembly III



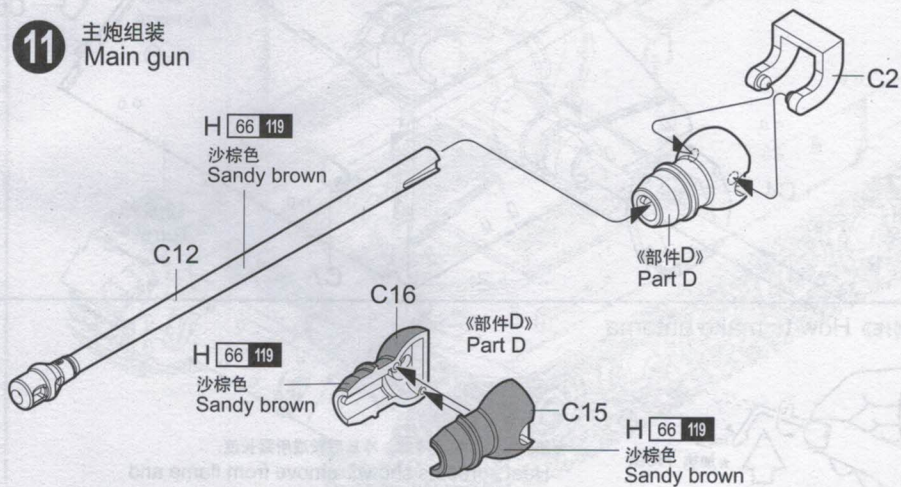
9 车体零件组装 IV
Hull parts assembly IV



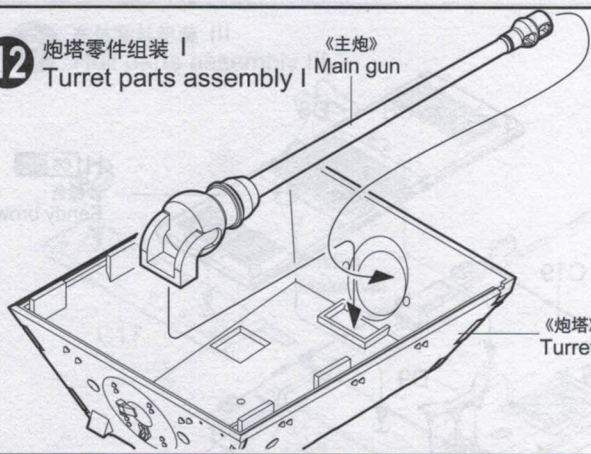
10 车体零件组装 v
Hull parts assembly v



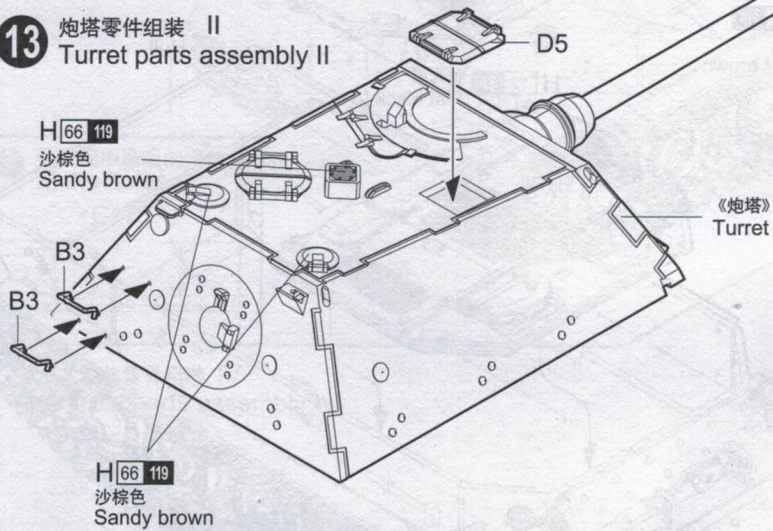
11 主炮组装
Main gun



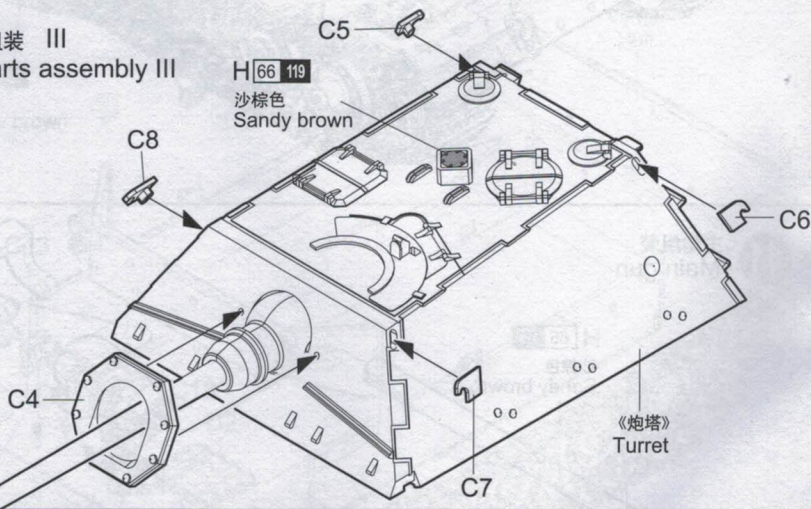
12 炮塔零件组装 I
Turret parts assembly I



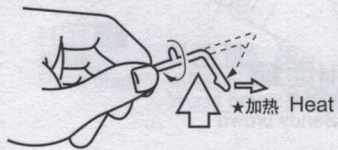
13 炮塔零件组装 II
Turret parts assembly II



14 炮塔零件组装 III
Turret parts assembly III

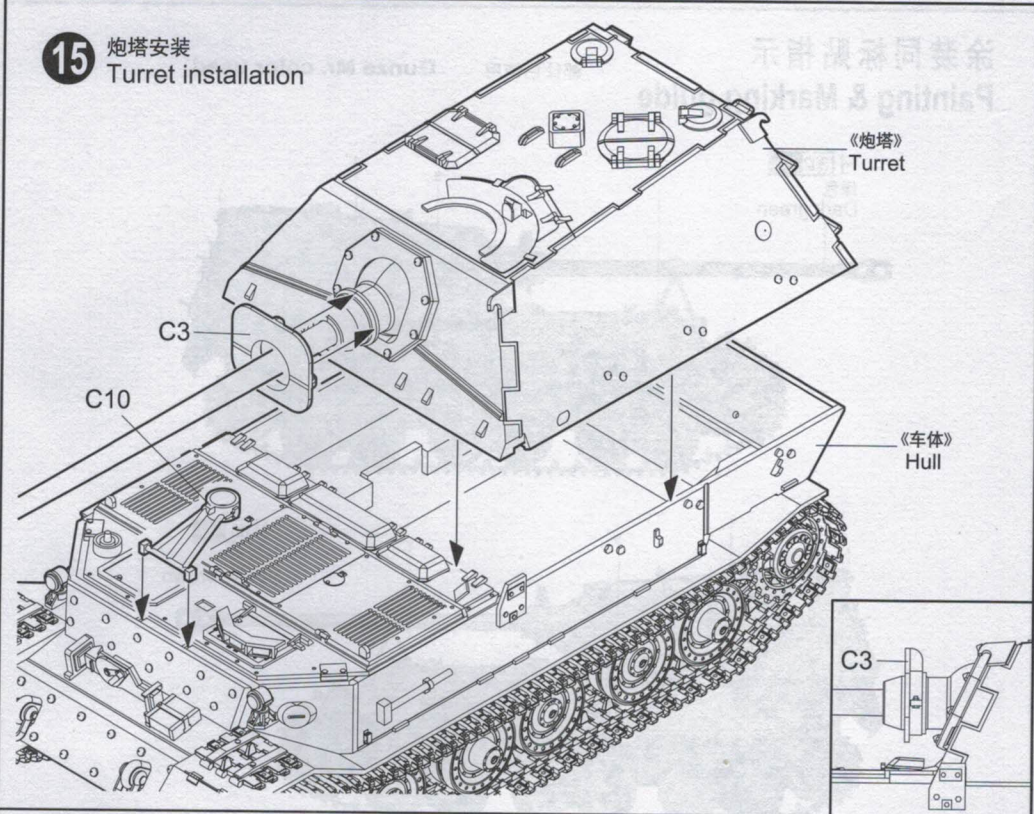


《天线制作》 How to make antenna



★加热浇口，拉线冷却，冷却后剪成所需长度。
Heat sprue as shown, remove from flame and stretch allow to cool and cut to required length.

15 炮塔安装
Turret installation



16 车体零件组装 IV
Hull parts assembly IV

