

KZKT-537L Tractor

KZKT-537L型牵引车

READ BEFORE ASSEMBLY:

- Study and understand these instructions thoroughly before beginning assembly
- When needed, remove photo-etch parts carefully using a modeling knife or photo etch sprue cutter, being careful not to damage or lose small parts.
- Take extra care in handling photo etch parts in order to avoid injury
- Apply instant cement sparingly to photo etch parts where instructed
- Tools recommended(not included in kit):Plastic and instant cements, sprue cutters,long nose pliers,modeling knife, small files, tweezers, pin vise & scissors. Soft cloth and sandpaper will also assist in construction
- Glue and paint are not included in the kit. Use plastic cement and hobby paints only. Color guide for purchasing paint is included in the kit.

装配之前仔细阅读

- 小心用模型锉刀锉平所有零件表面的注射浇口。
- 小心用刀片切下蚀刻片零件，不要遗失小零件。
- 用强力快干胶水粘合蚀刻片零件和金属轴。过量快干胶水使用可能导致可动零件会粘住，小心涂胶。
- 取蚀刻片时应特别注意安全，防止利边划伤手指。
- 某些零件表面需贴上水贴纸，请选择在装配的同时进行。
- 推荐模型工具(自备)：胶水，水口剪刀，长咀钳，刀片，锉刀，镊子，钳，钻，剪刀，瞬间快干胶。
- 软布同砂纸同时也应该是必备工具。
- 请使用塑料胶水和油漆，模型内不含。



配重
Weight



使用强力胶
Cyanoacrylate glue



钻孔
Make hole



切除
Cut / Remove



贴纸
Decal



锉平
File / Sand



选择
Option



不涂胶水
No cement



弯曲
Bend

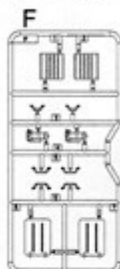
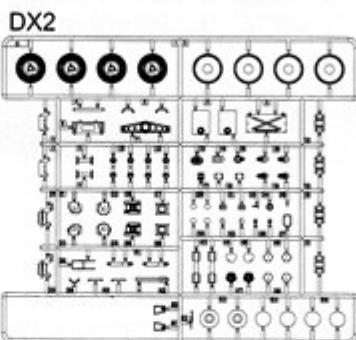
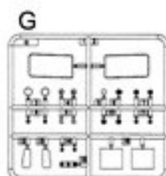
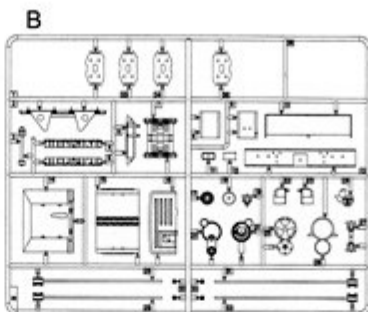
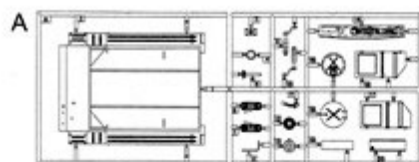
水贴纸的使用:

- 1.从水贴纸剪下印花;
- 2.将印花放入温水中浸10秒, 然后放在干净布上.
- 3.拿着印花纸将印花移到模型上;
- 4.手指蘸水将印花移到适当的位置;
- 5.用软布轻压印花直至水干, 气泡消失

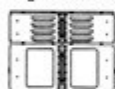
DECAL APPLICATION

- 1.Cut decals from sheet as needed
- 2.Dip the decal in warm water for about 10 seconds and then place on soft clean cloth.
- 3.Hold the decal backing sheet edge and gently slide the decal onto the model in its proper position.
- 4.While still wet,decal can be adjusted for better fit on model by dampening it gently with your finger.
- 5.When placed in the proper position,gently press decal down with a soft cloth until excess water and air bubbles are gone.
- 6.Allow decal to dry completely before handling model

部品图
Part



《发动机盖》
Engine bonnet



《驾驶室》
CAB



H1X2



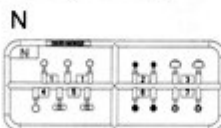
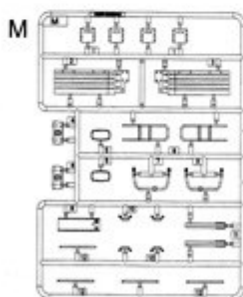
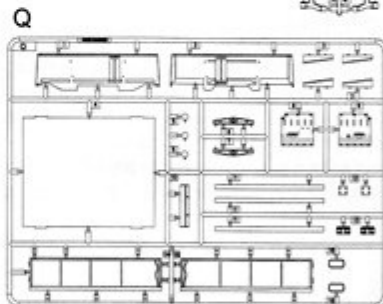
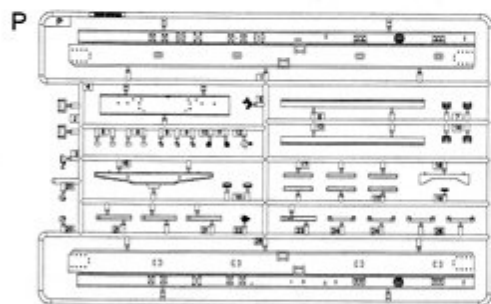
H2X2



H3X2



H4X2



《蚀刻片》
PE-A



《蚀刻片》
PE-B



《轮胎》
Tyre X8



《绳结》 $\varnothing 0.6 \times 200\text{mm}$
Rope



《水贴纸》
Decal

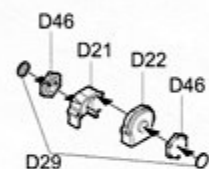
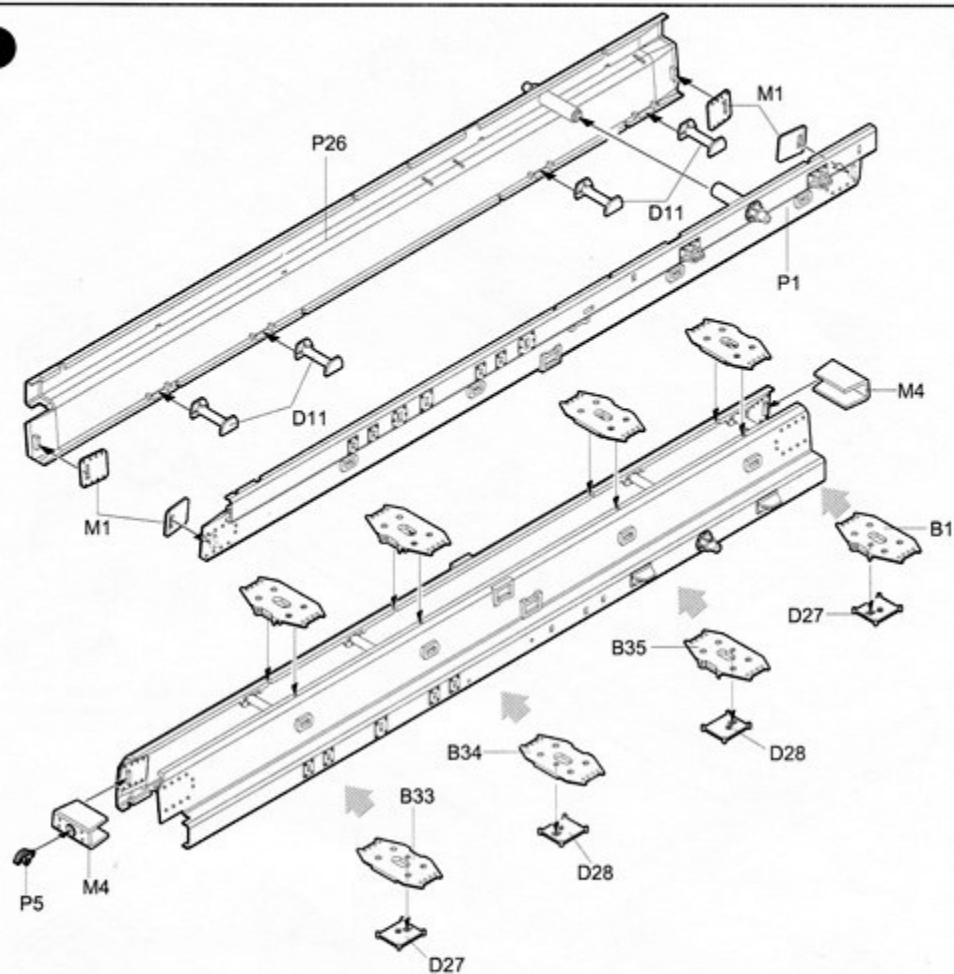


《遮罩胶纸》
Die-Cut Mask

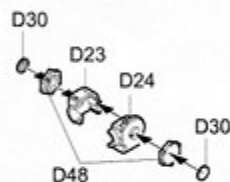


不用部: A20.B4.B5.B7.B11.B12.B13.C8.C9.C17.C24.C29.C30.C36.C37.C38.C49.C50.C53.C54
Unused parts: D4.D5.D14.D37.D39.D42.G3.G4.G5.G6.G7.G9.G10.G11.G14.M5.PE-A1.PE-A3.PE-A4.PE-A5

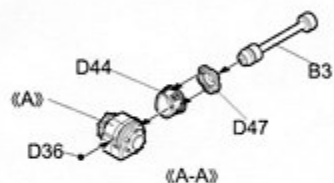
1



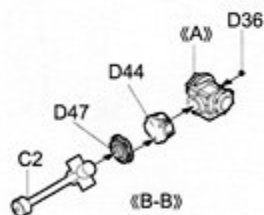
《A》 制作2组
Make two



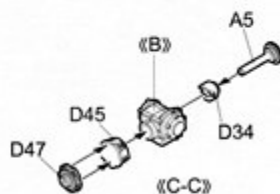
《B》 制作2组
Make two



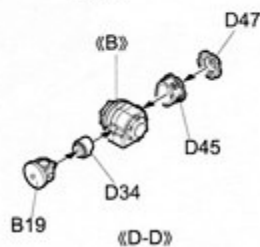
《A-A》



《B-B》

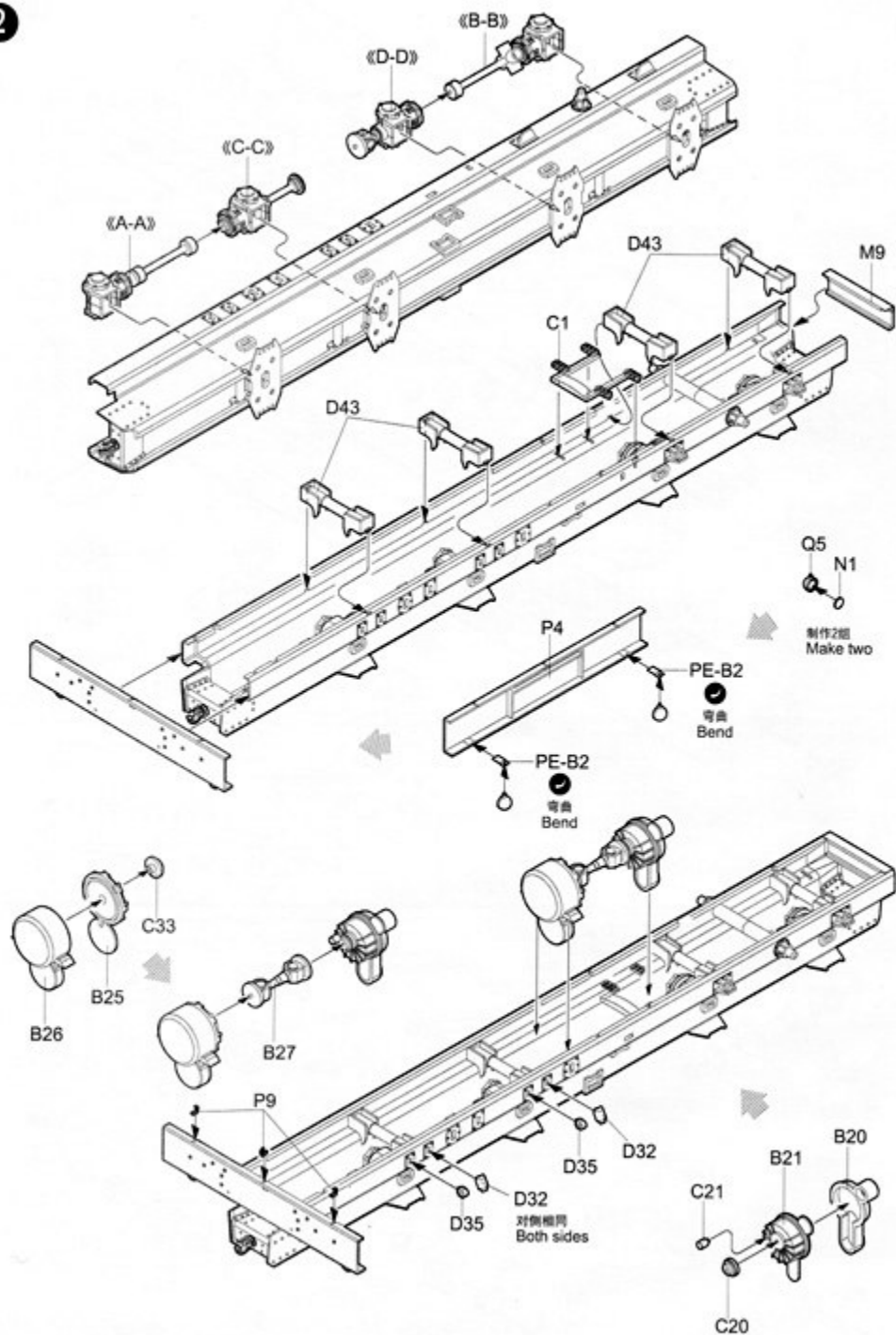


《C-C》

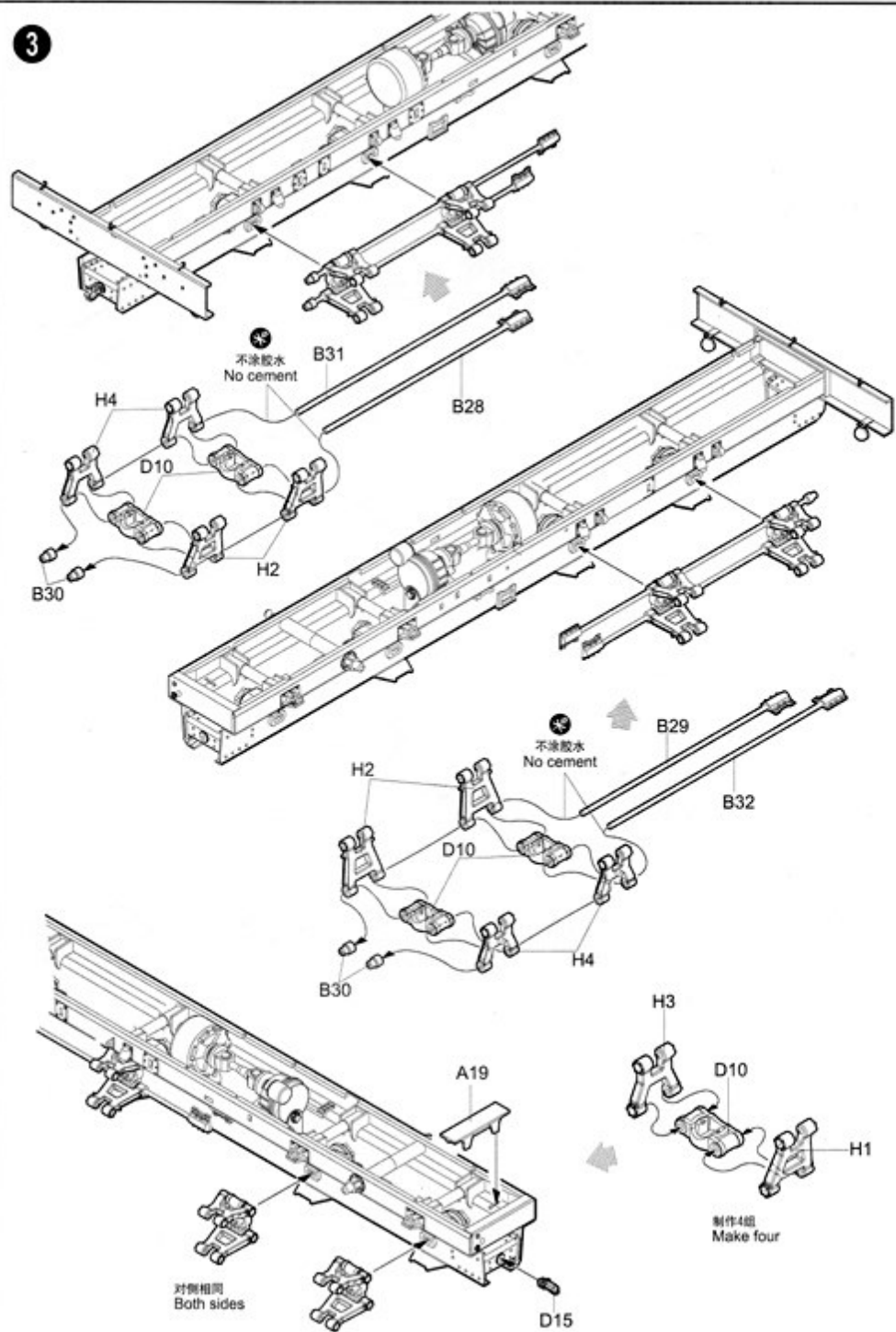


《D-D》

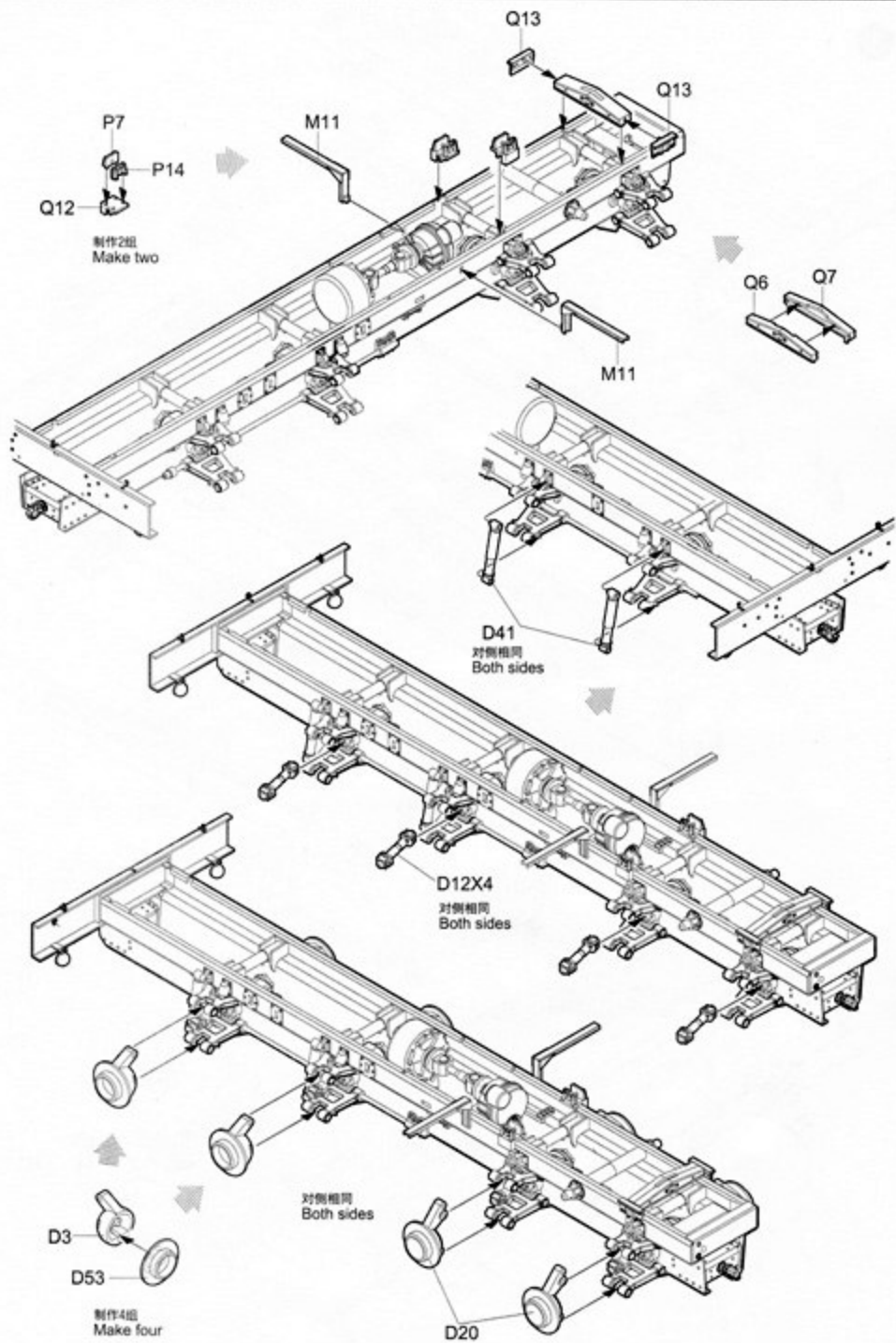
2



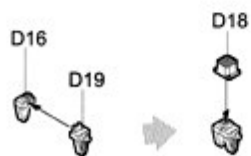
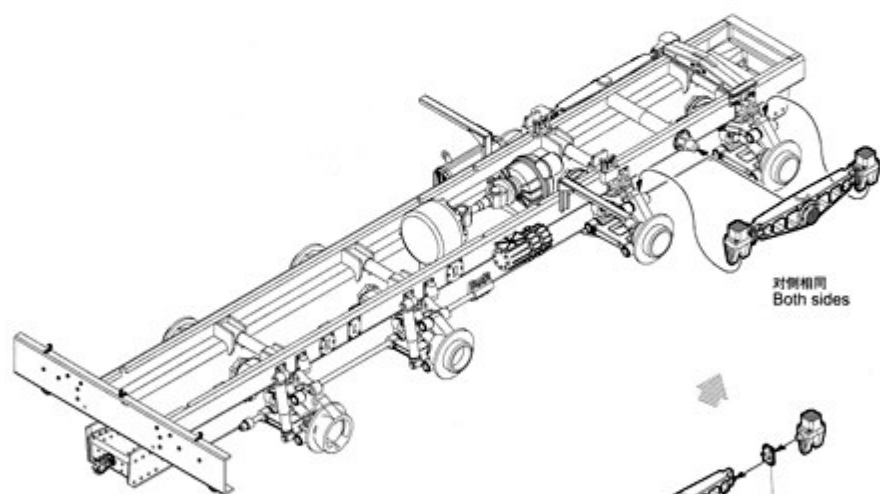
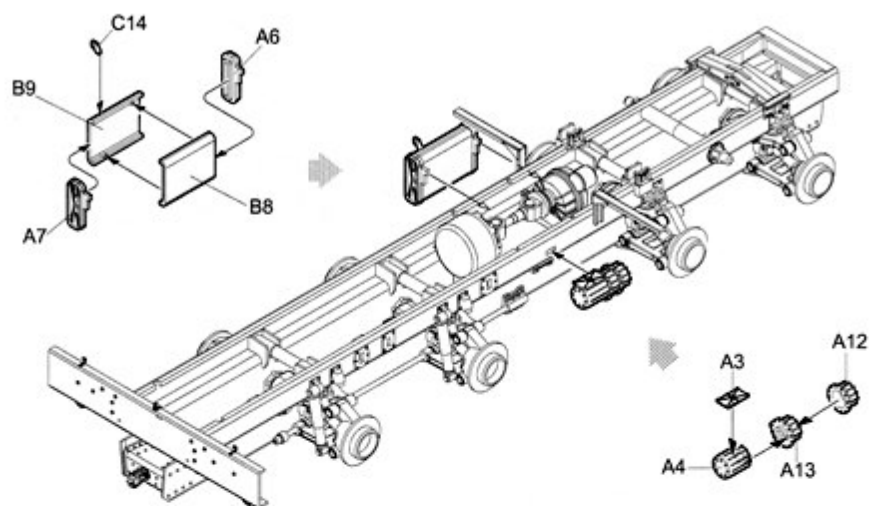
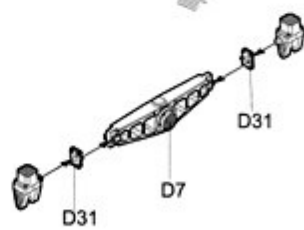
3



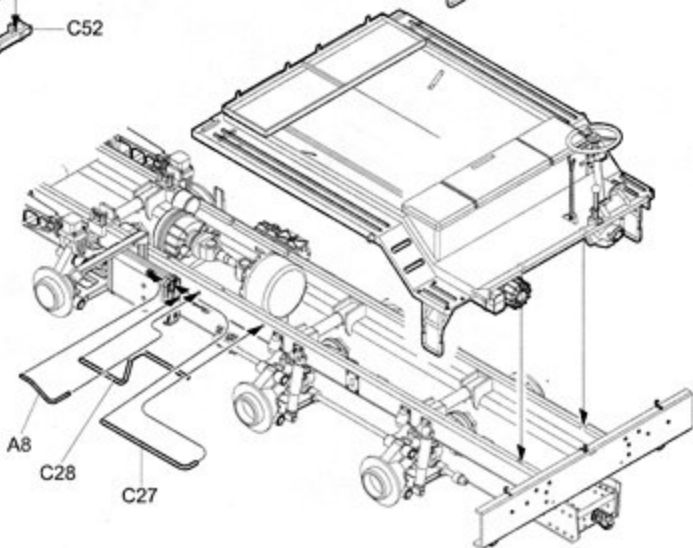
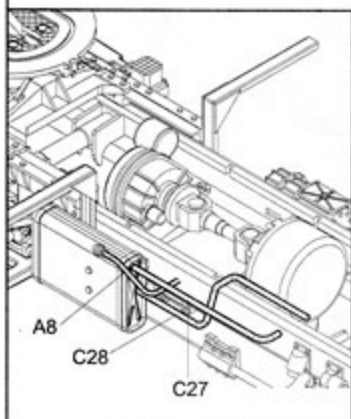
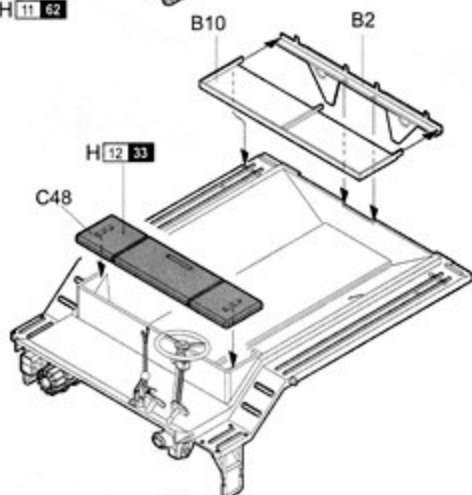
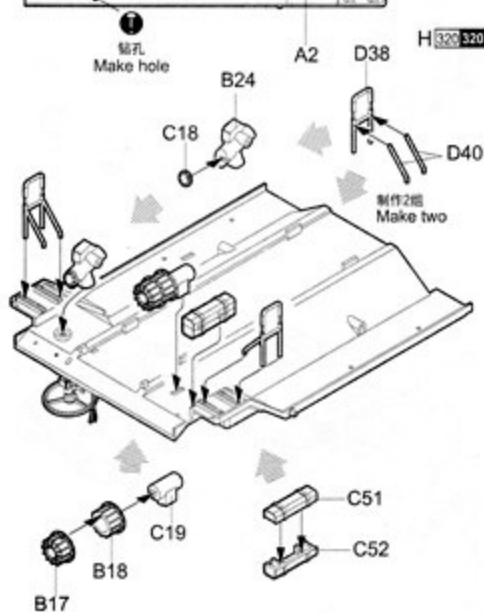
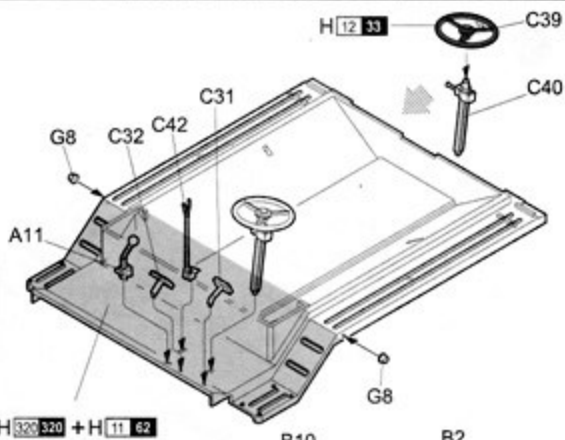
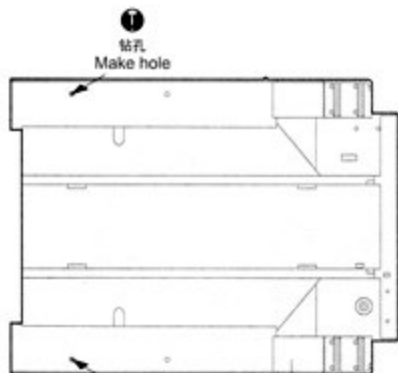
4



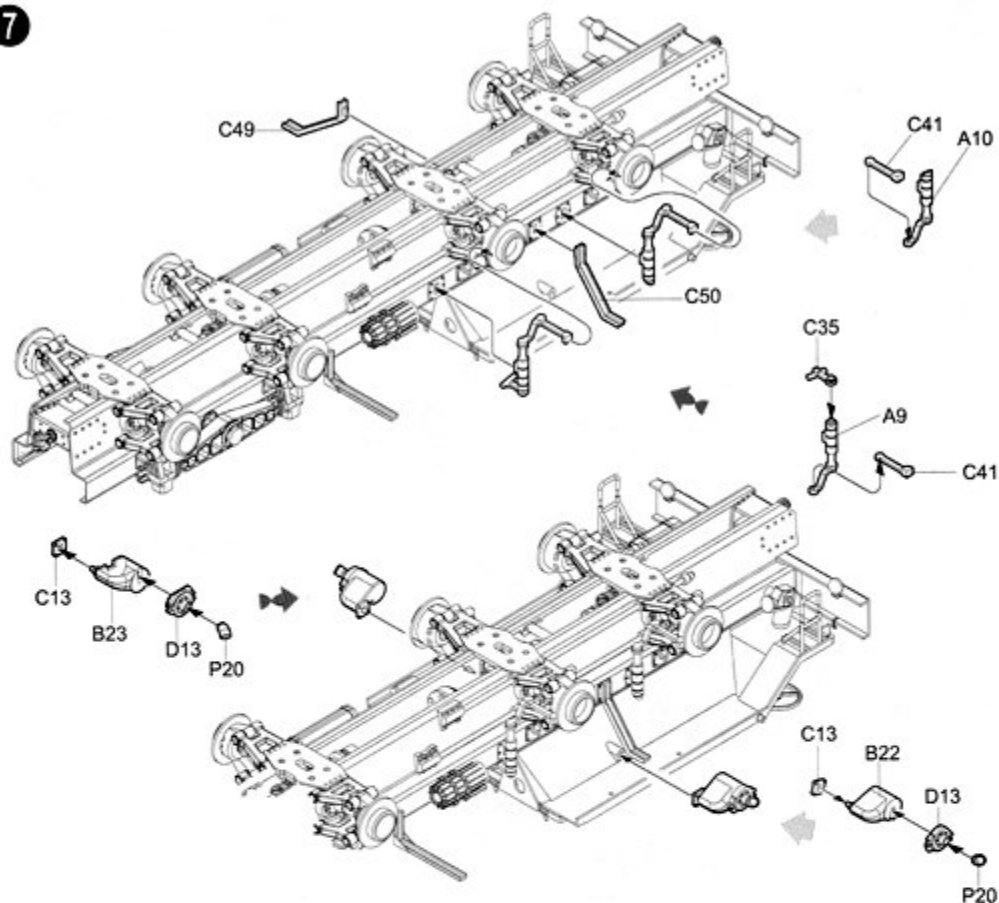
5

制作4组
Make four制作2组
Make two

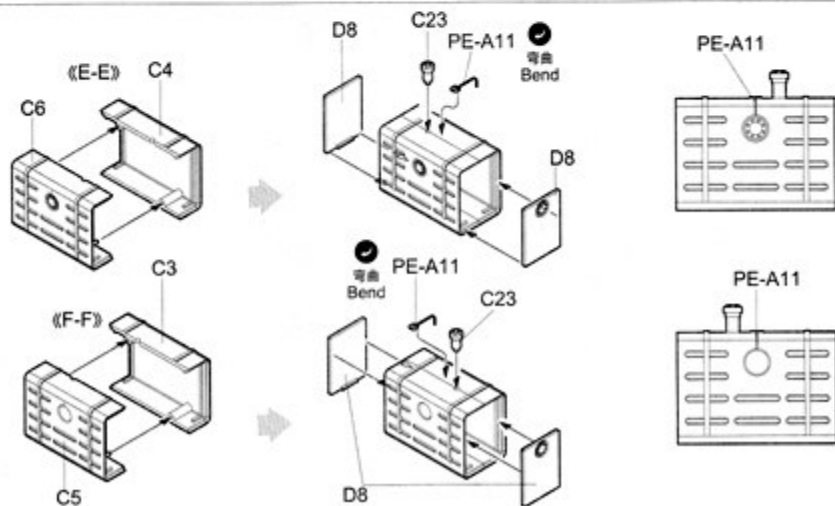
6



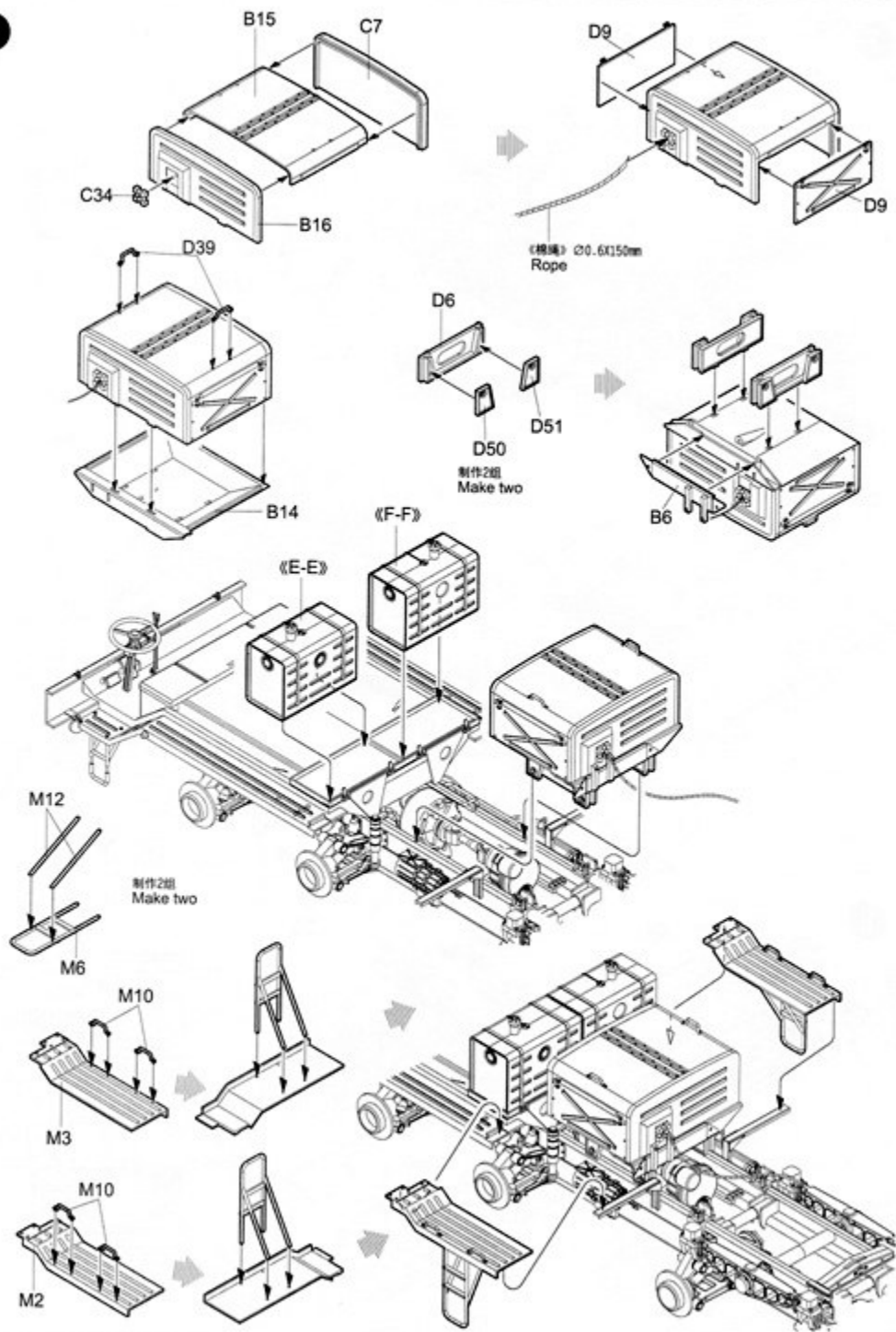
7



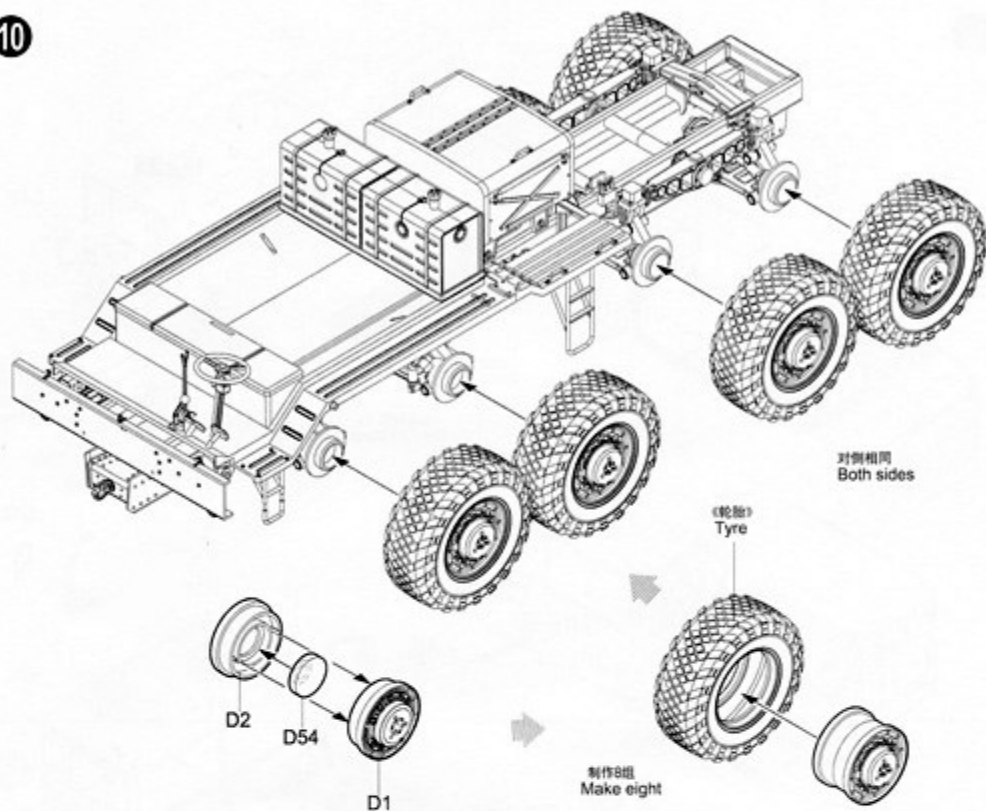
8



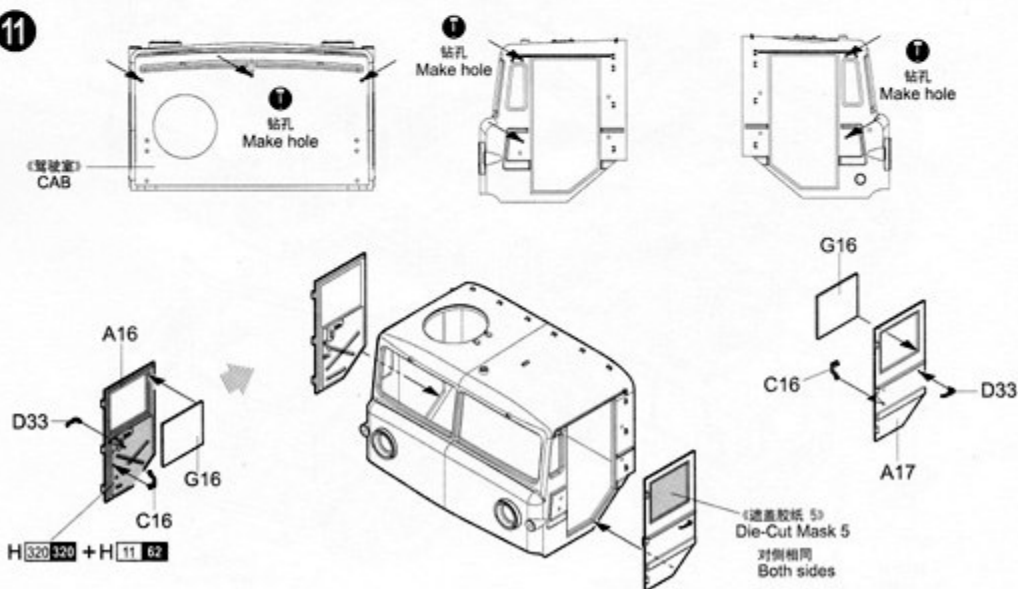
9

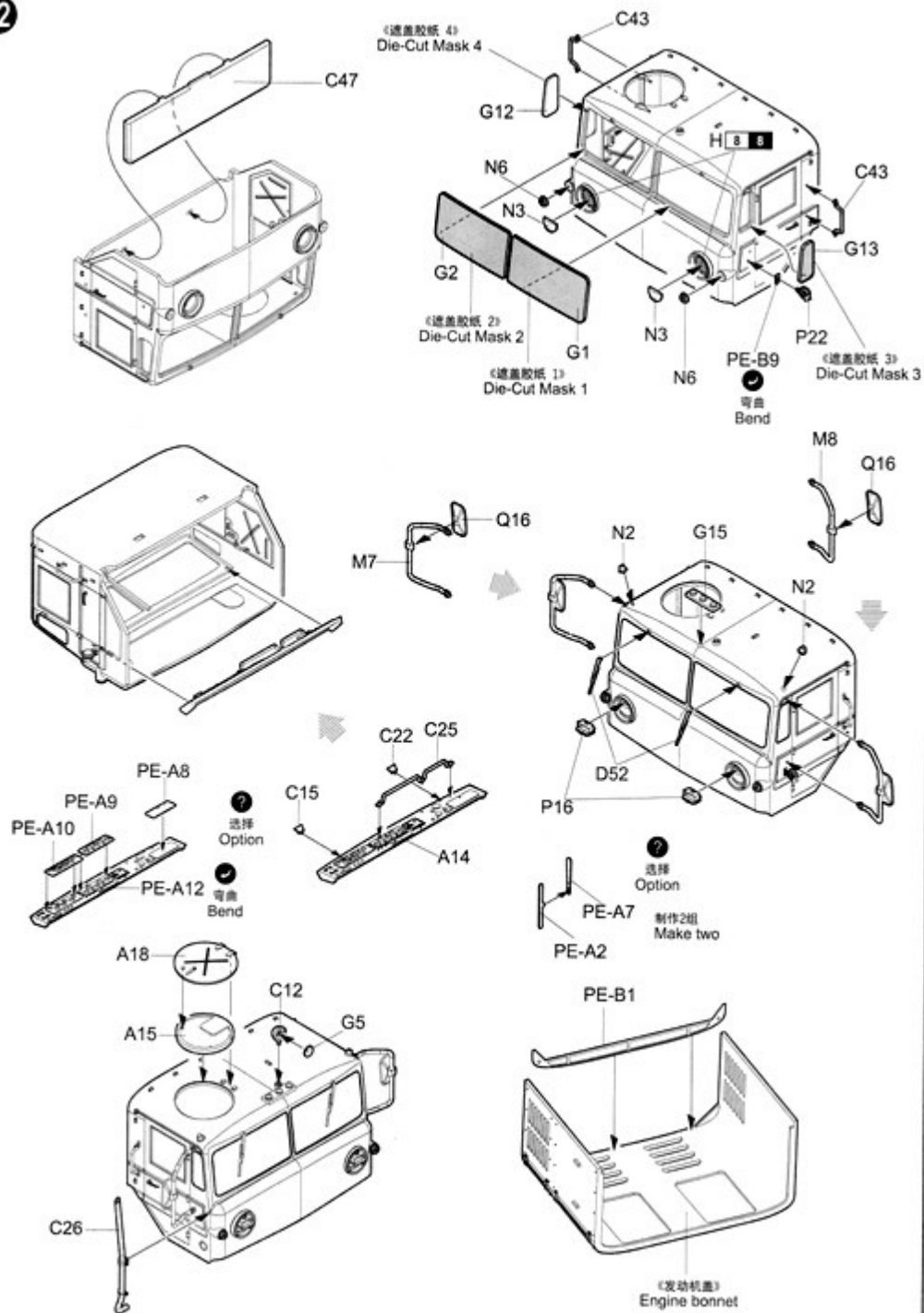


10

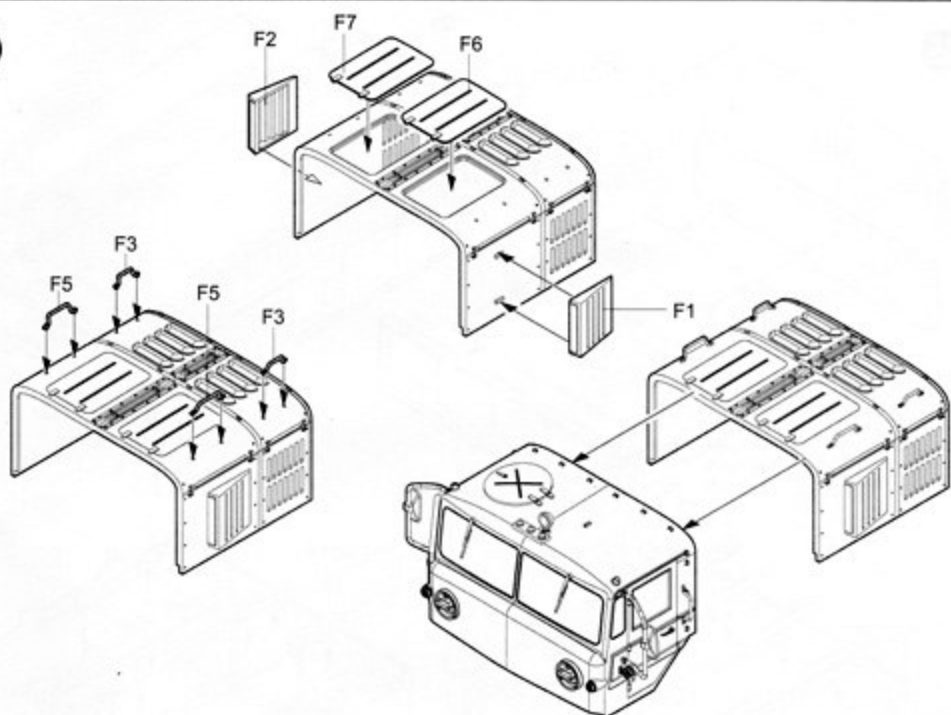


11

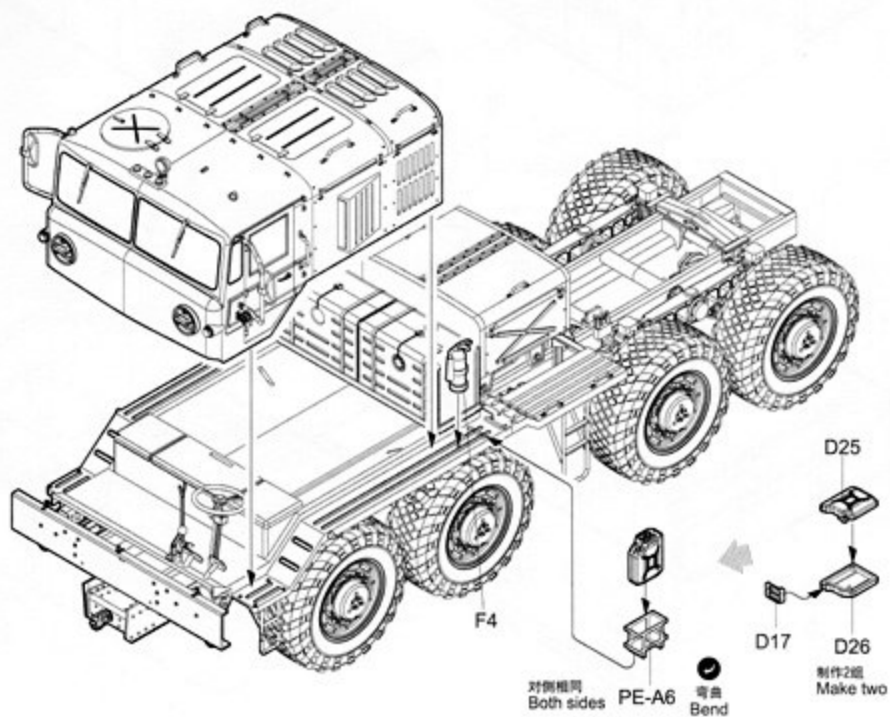




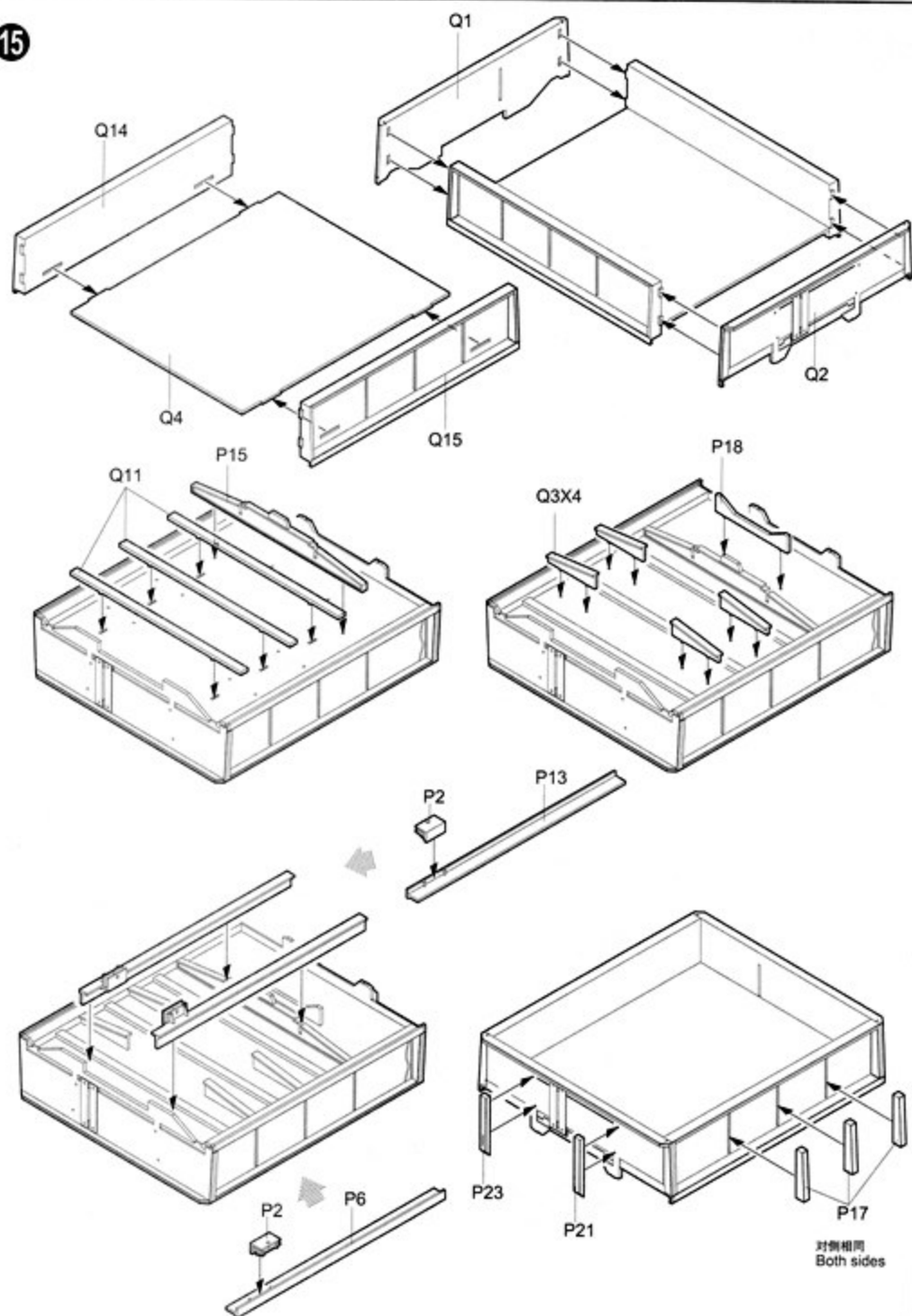
13



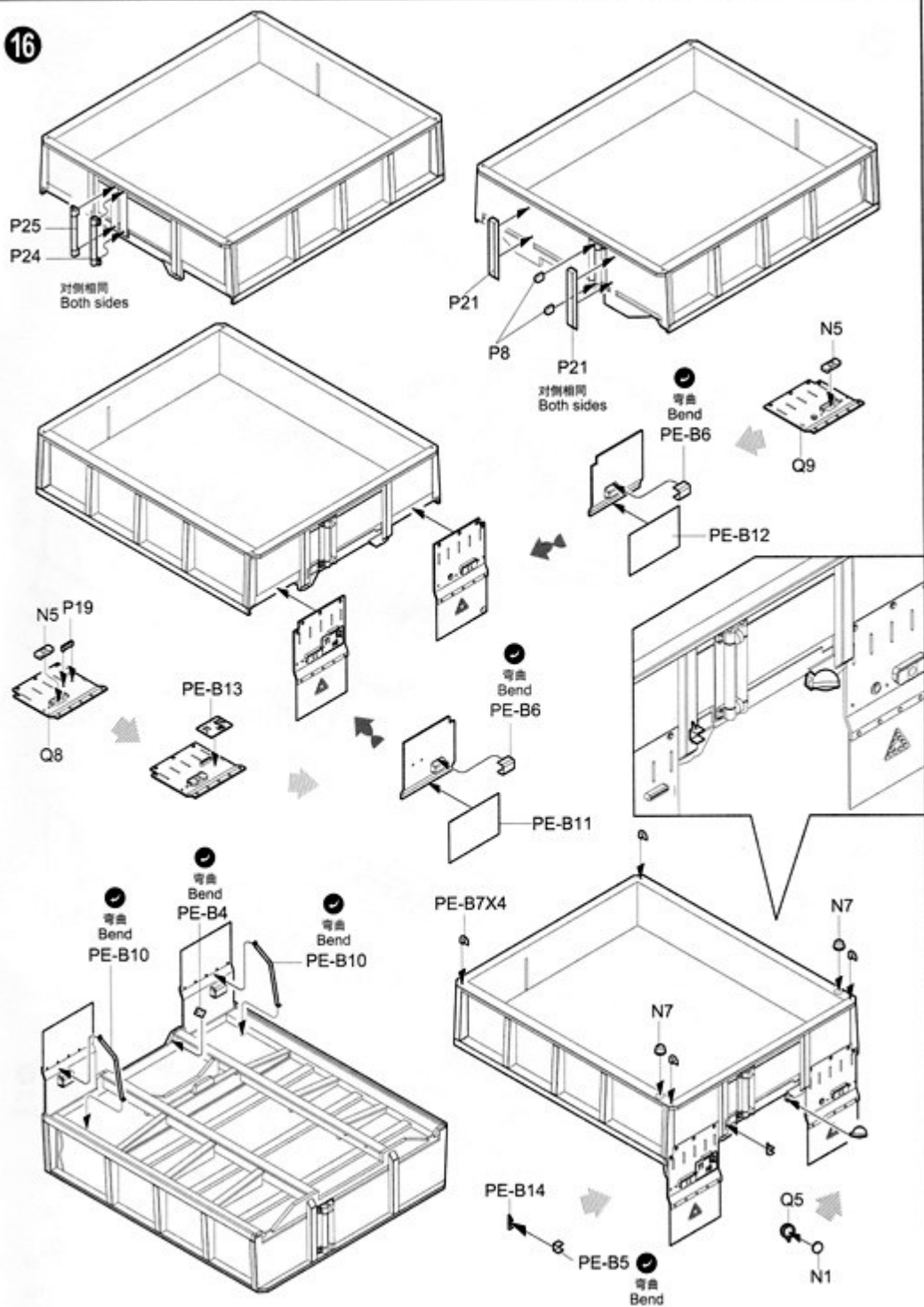
14



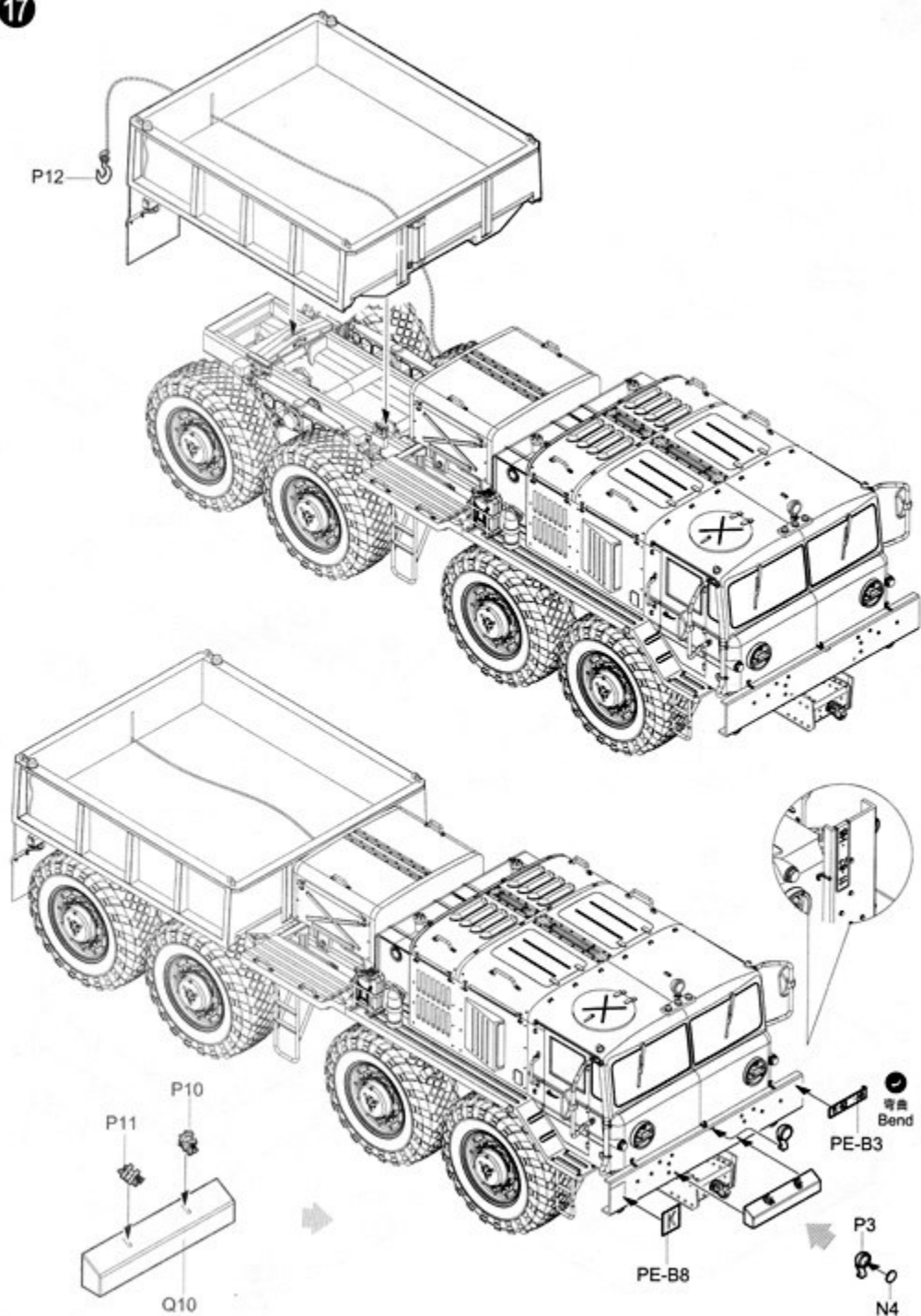
15



16



17

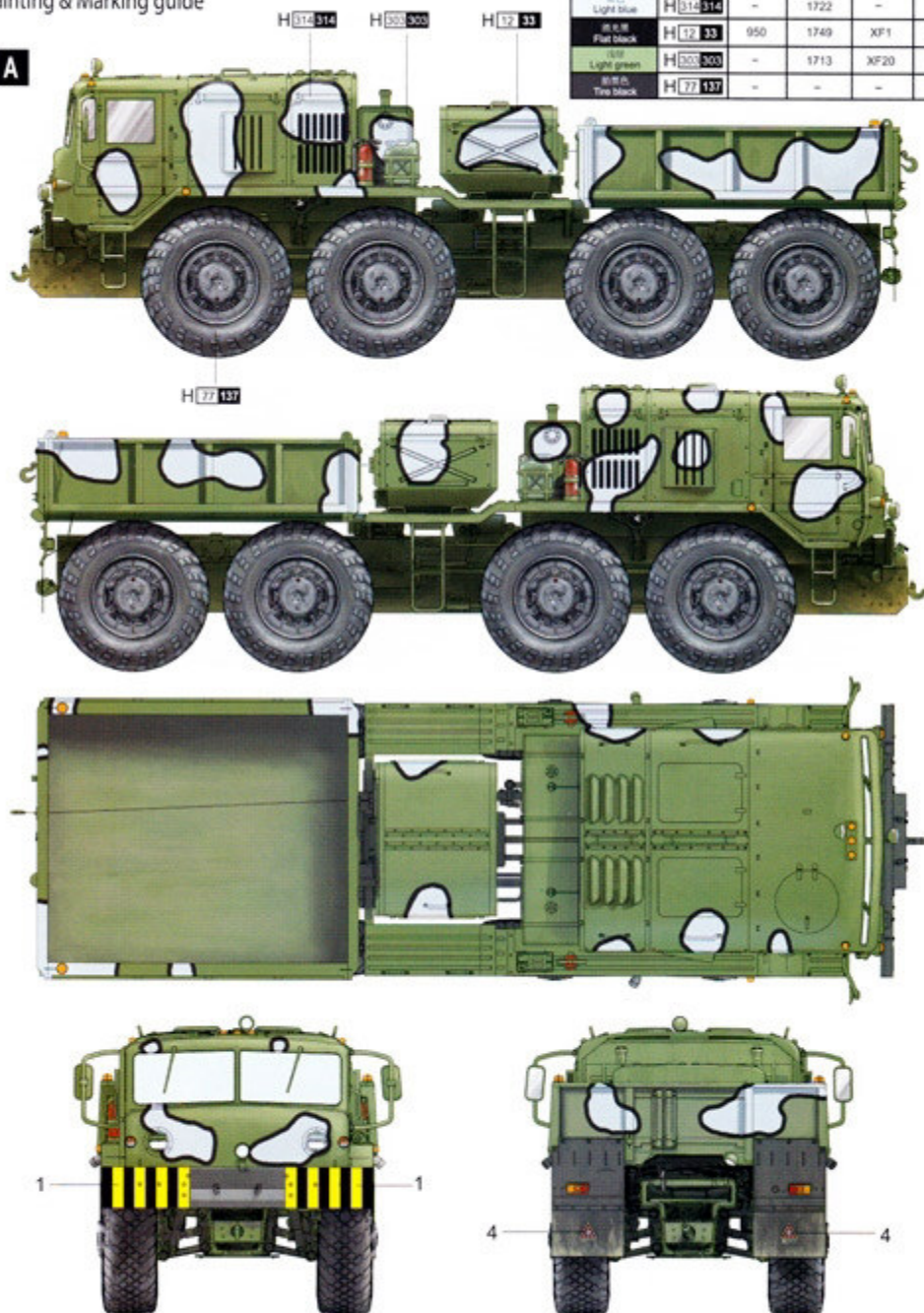


涂装同标贴指示
Painting & Marking guide

使用 MR.HOBBY 涂料 Mr. COLOR USED

Color	Mr.Hobby	Vallejo	Model Master	Tamiya	Humbrol
色 C Light tan	H 014 314	-	1722	-	-
色 B Ⅱ Flat black	H 17 33	950	1749	XF1	33
色 D Light green	H 505 303	-	1713	XF20	117
色 B Ⅰ Tire black	H 77 137	-	-	-	-

A



H AQUEOUS HOBBY COLOR Mr. COLOR

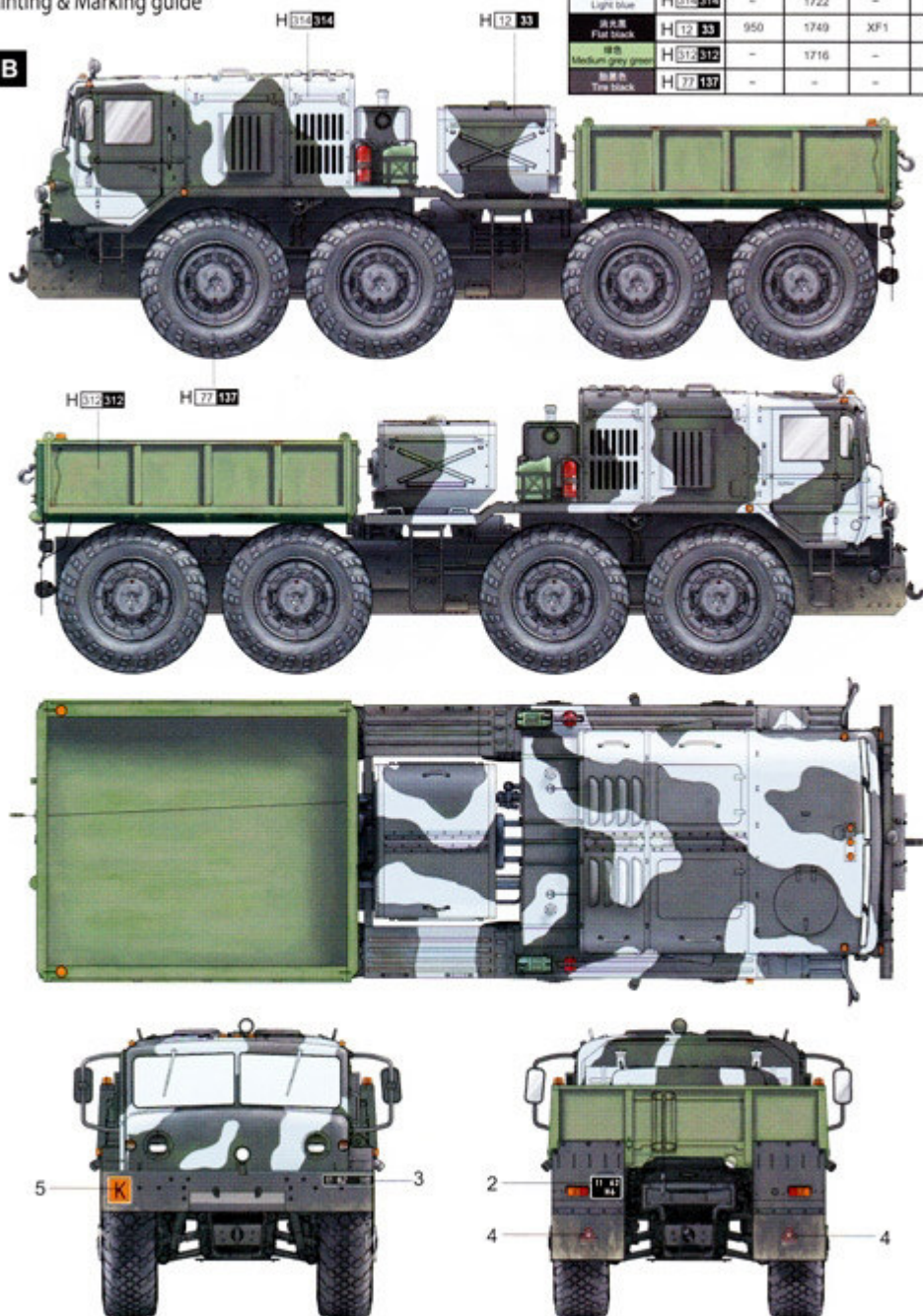
01005 1/35 KZKT-537L Tractor

涂装同标贴指示
Painting & Marking guide

使用 MR.HOBBY 涂料 Mr. COLOR USED

Color	Mr.Hobby	Wallejo	Model Master	Tamiya	Humbrol
浅蓝色 Light blue	H 016 014	-	1722	-	-
消光黑 Flat black	H 12 33	950	1749	XF1	33
绿色 Medium grey green	H 016 012	-	1716	-	120
深灰色 True black	H 77 137	-	-	-	-

B



H AQUEOUS HOBBY COLOR Mr. COLOR

01005 1/35 KZKT-537L Tractor