

1:72 SCALE

ITEM NO.:07280

M1 Panther II Mine Clearing Tank

美国M1“黑豹II”型清障车



READ BEFORE ASSEMBLY:

- This kit is not recommended for inexperienced modelers or for children under 14 years of age
- Study and understand these instructions thoroughly before beginning assembly
- When needed, remove photo-etch parts carefully using a modeling knife or photo etch sprue cutter, being careful not to damage or lose small parts.
- Take extra care in handling photo etch parts in order to avoid injury
- Apply instant cement sparingly to photo etch parts where instructed
- Tools recommended(not included in kit):Plastic and instant cements,sprue cutters,long nose pliers., modeling knife, small files, tweezers, pin vise & scissors. Soft cloth and sandpaper will also assist in construction
- Glue and paint are not included in the kit. Use plastic cement and hobby paints only. Color guide for purchasing paint is included in the kit.
- Keep out of reach of children. They must not be allowed to ingest small parts or handle plastic bags in any way.

装配之前仔细阅读

- 小心用模型锉刀锉平所有零件表面的注射浇口。
- 小心用刀片切下蚀刻片零件，不要遗失小零件。
- 用强力快干胶水粘合蚀刻片零件和金属轴。过量的快干胶水使用可能导致可动零件会粘住，小心涂胶。
- 取蚀刻片时应特别注意安全，防止利边划伤手指。
- 某些零件表面需贴水上贴纸，请选择在装配的同时进行。
- 推荐模型工具(自备)：胶水，水口剪刀，长咀钳，刀片，锉刀，镊子，钳，钻，剪刀，瞬间快干胶。
- 软布同砂纸同时也应该是必备工具。
- 请使用塑料胶水和油漆，模型内不含。
- 谨防小孩吸吮塑料零件，或者将塑料袋套在头上，制作时应将套材远离小孩接触。
- 本产品不适合14岁以下没有经验的模型爱好者。



cianoacrylate glue
使用强力胶



weight
配重



make hole
钻孔



cut / remove
切除



bend
弯曲



file / sand
锉平



option
选择



no cement
不涂胶水



decal
贴纸

水贴纸的使用:

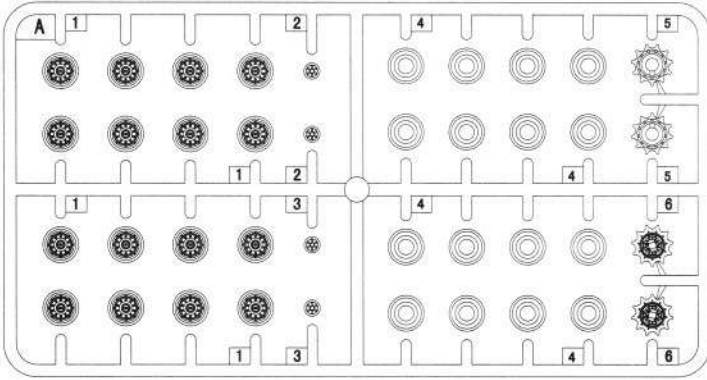
1. 从水贴纸上剪下印花;
2. 将印花放入温水中浸10秒, 然后放在干净布上。
3. 拿着印花纸板将印花移到模型上;
4. 手指蘸水将印花移到适当的位置;
5. 用软布轻压印花直至水干, 气泡消失。

DECAL APPLICATION

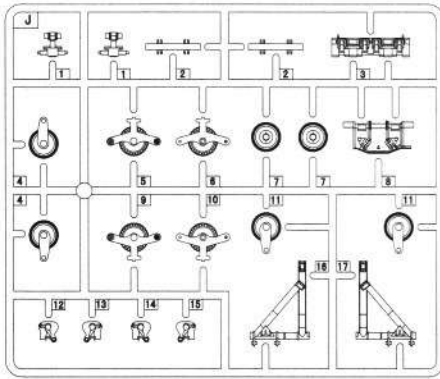
1. Cut off decal from sheet.
2. Dip the decal in tepid water 40°C for about 10 sec. and place on a clean cloth.
3. Hold the backing sheet edge and slide decal onto the model.
4. Move decal into position by wetting decal with finger.
5. Press decal gently down with a soft cloth until excess water and air bubbles are gone.
6. Allow decal to dry completely before handling model.

部品图 Parts

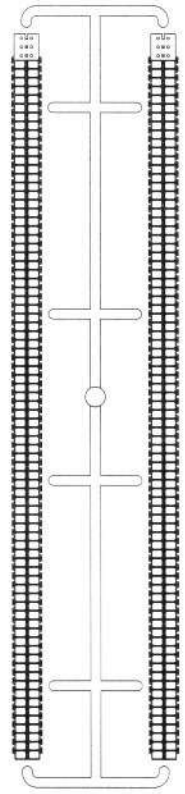
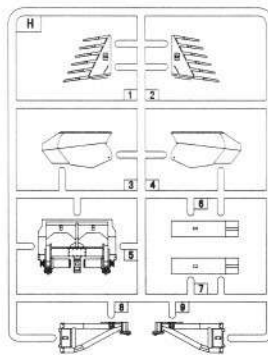
A



J

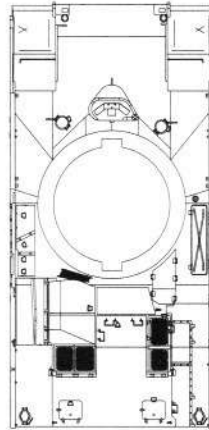
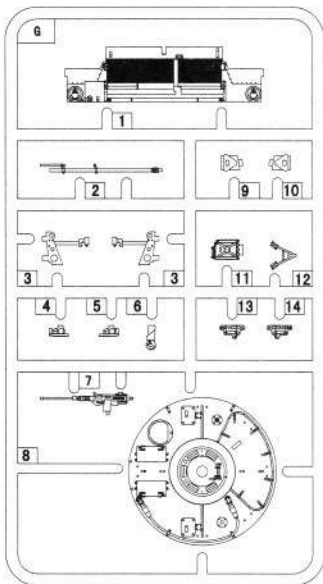


H

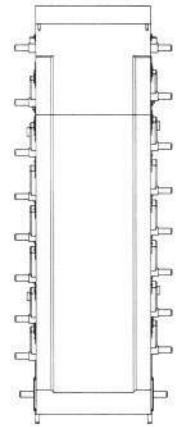


《履带》
Track

G



《车面》
Upper hull



《车底》
Lower hull



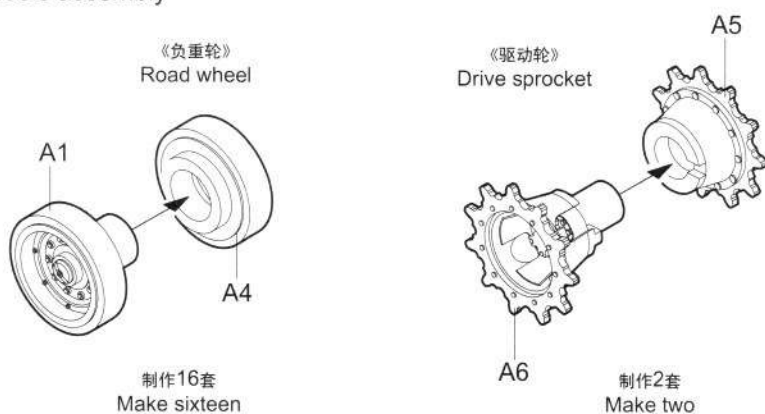
《铜丝》 $\varnothing 0.5 \times 50\text{mm}$
Brass wires

| | | | | | | | | | | | | | | | | | | | | | | | | | | | |
|---|---|---|---|---|---|---|---|---|----|----|----|----|----|----|----|----|----|----|----|----|----|----|----|----|----|----|----|
| 1 | 2 | 3 | 4 | 5 | 6 | 7 | 8 | 9 | 10 | 11 | 12 | 13 | 14 | 15 | 16 | 17 | 18 | 19 | 20 | 21 | 22 | 23 | 24 | 25 | 26 | 27 | 28 |
| 1 | 2 | 3 | 4 | 5 | 6 | 7 | 8 | 9 | 10 | 11 | 12 | 13 | 14 | 15 | 16 | 17 | 18 | 19 | 20 | 21 | 22 | 23 | 24 | 25 | 26 | 27 | 28 |

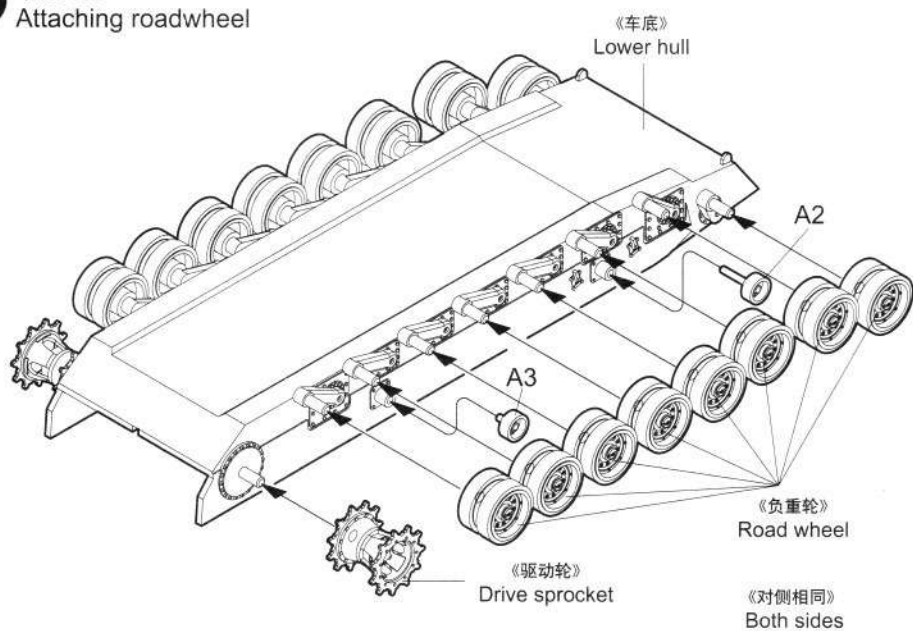
07280 1/72 M1 Panther II Mine clearing Tank

《水贴》
Decal

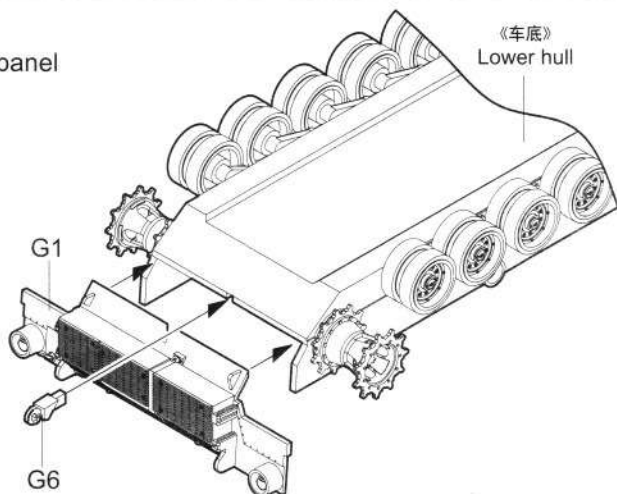
1 车轮组装 Wheels assembly



2 车轮安装 Attaching roadwheel



3 后板安装 Attaching rear panel

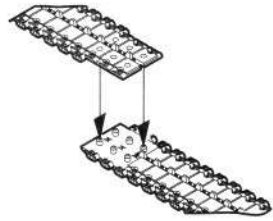


4

履带连接

Track construction

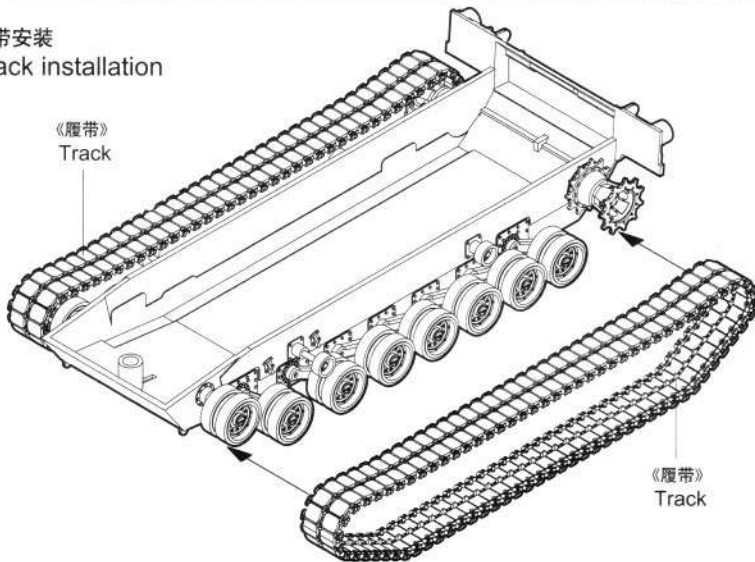
- * 履带可用塑料胶水粘合。
- * 履带可用模型油漆喷涂。
- * 若履带断裂，用细丝线固定。
- * The tracks in this kit can be glued using plastic cement.
- * The tracks can be painted using plastic paints.
- * If track is broken strengthen with staples or thread.



5

履带安装

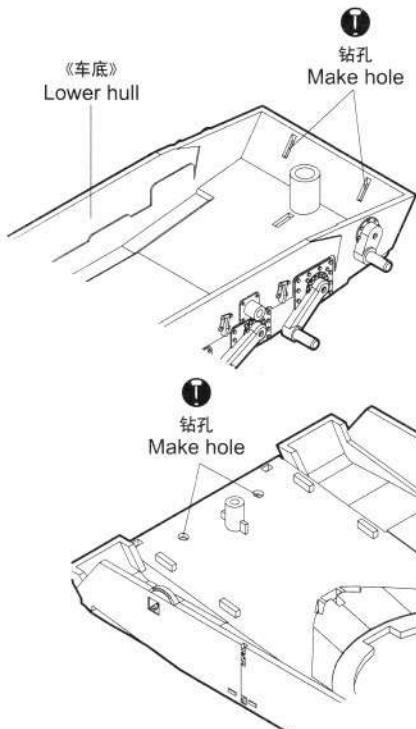
Track installation



6

滚轮扫雷器安装

Mine roller installation

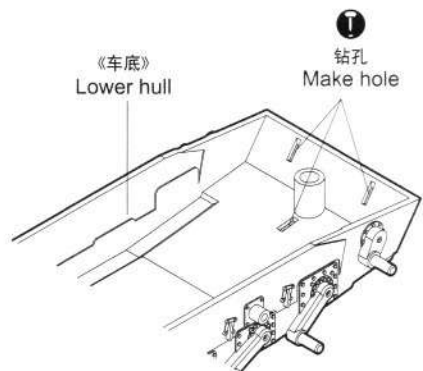


?

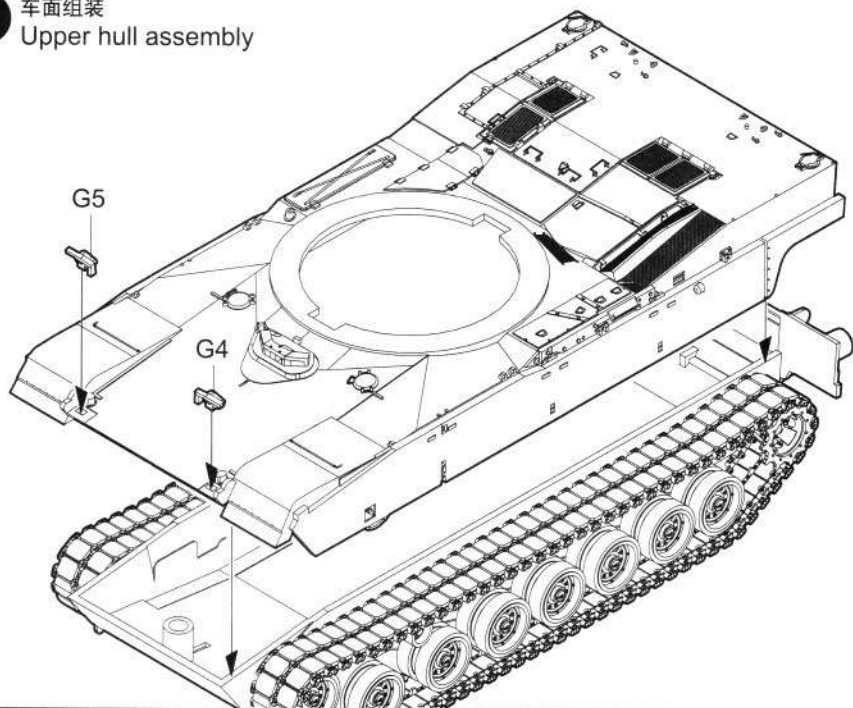
选择 Option

犁刀扫雷器安装

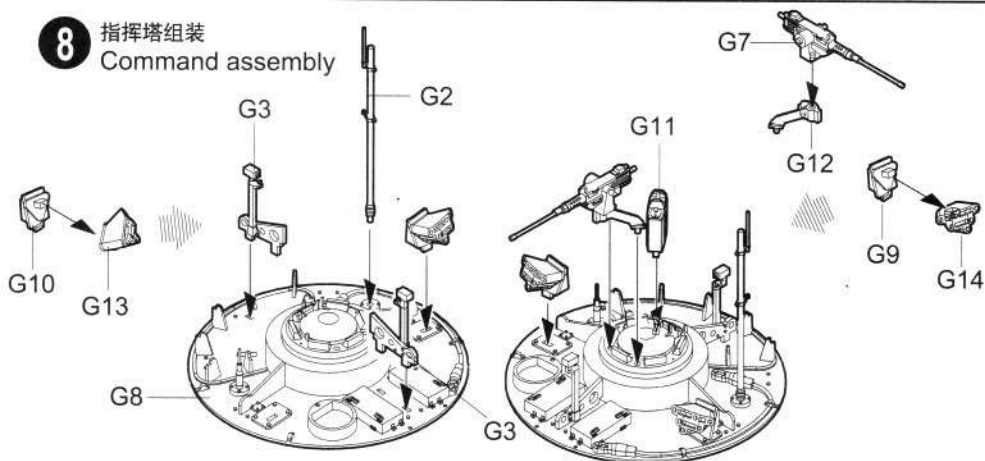
Plow mine installation



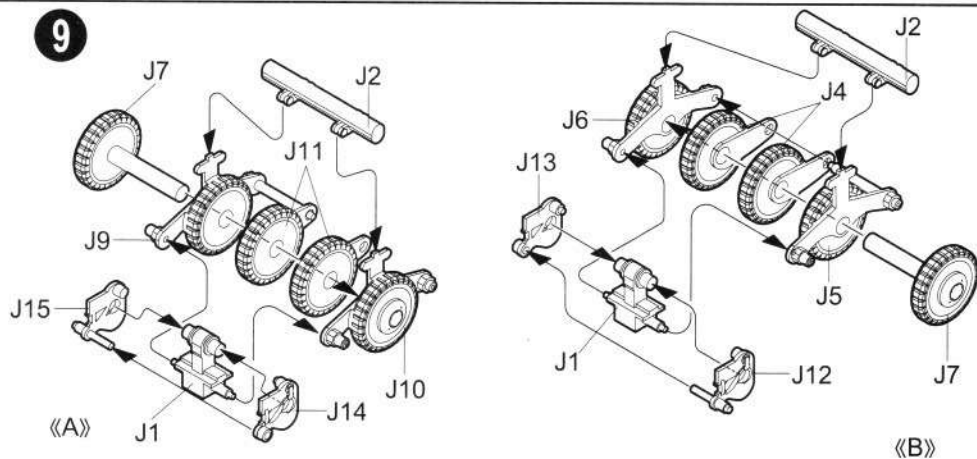
7 车面组装
Upper hull assembly



8 指挥塔组装
Command assembly

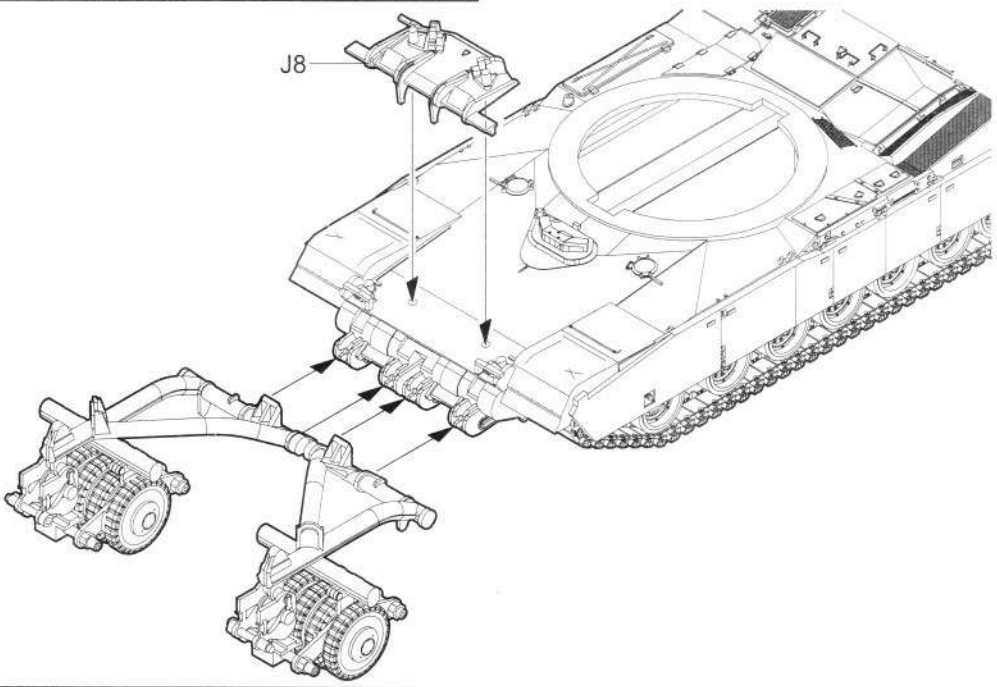
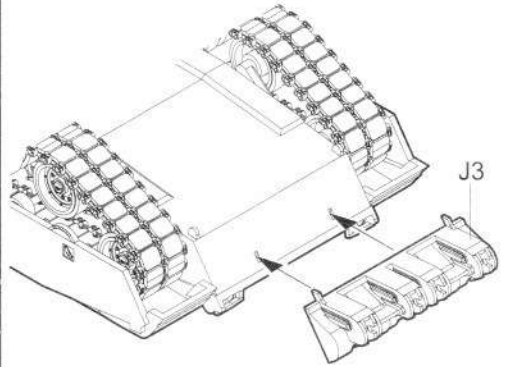
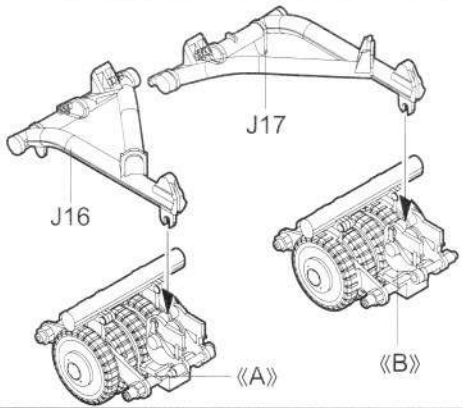


? 滚轮扫雷器组装
选择
Option Mine roller assembly



10

滚轮扫雷器安装
Mine roller installation

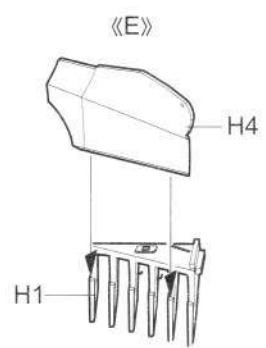
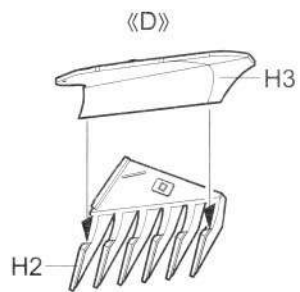
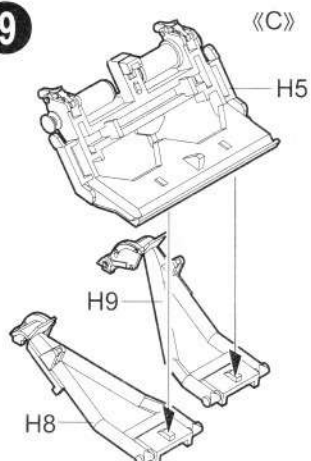


?

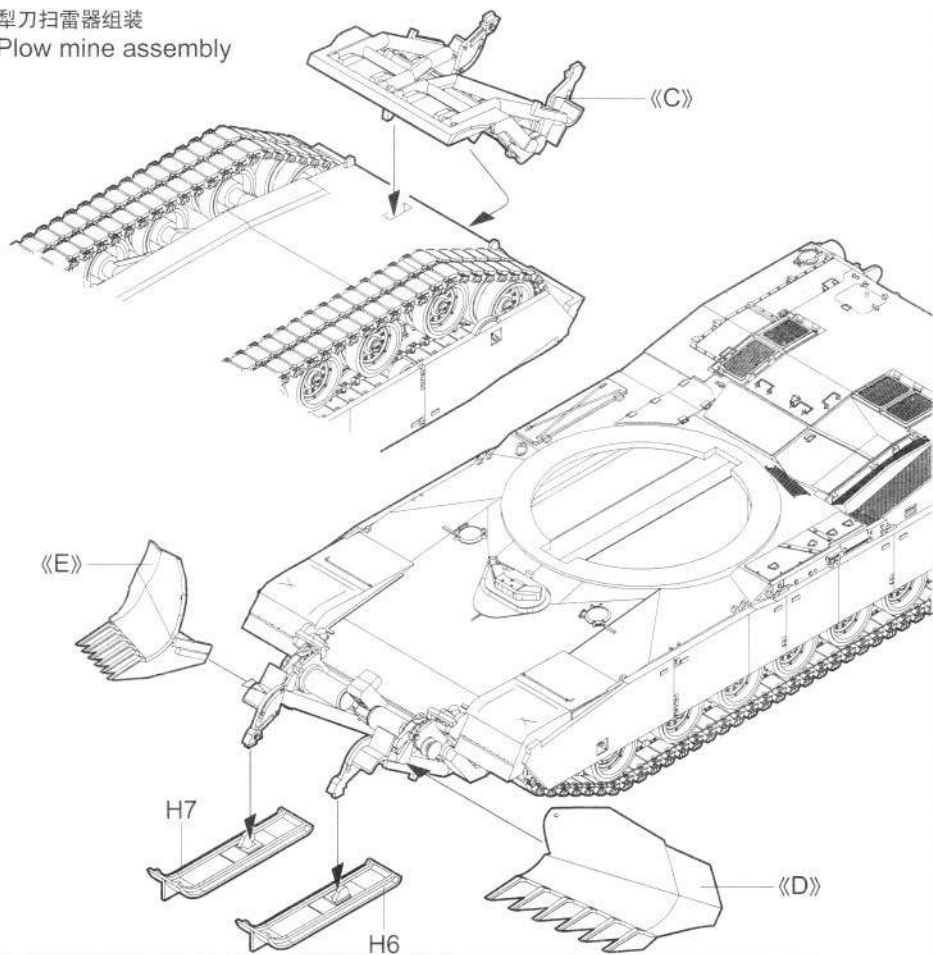
犁刀扫雷器组装
Plow mine assembly

选择
Option

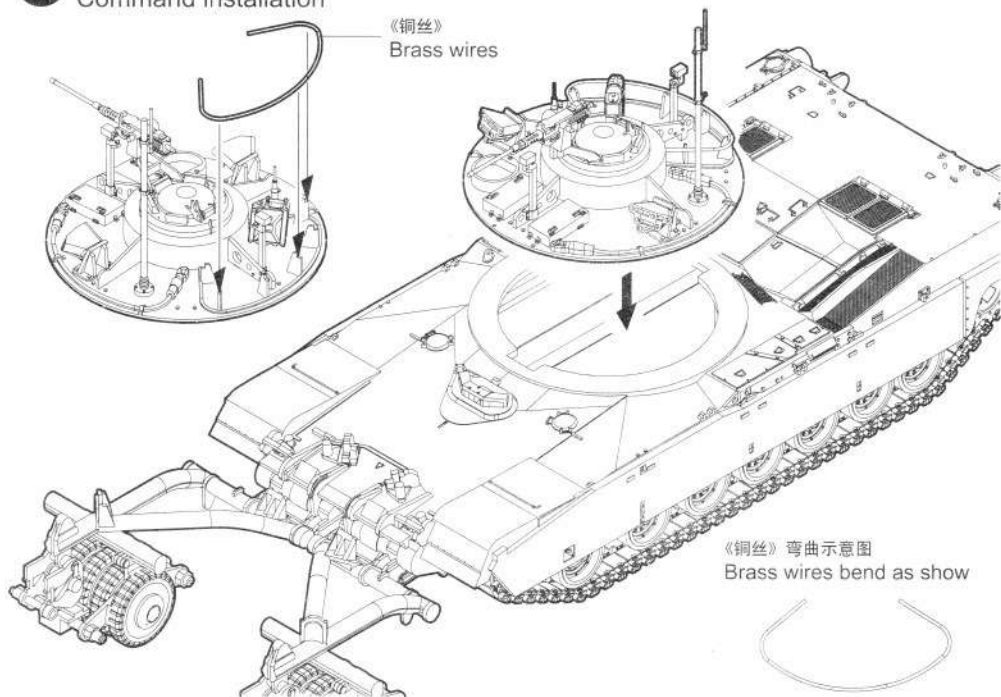
9



10 犁刀扫雷器组装
Plow mine assembly



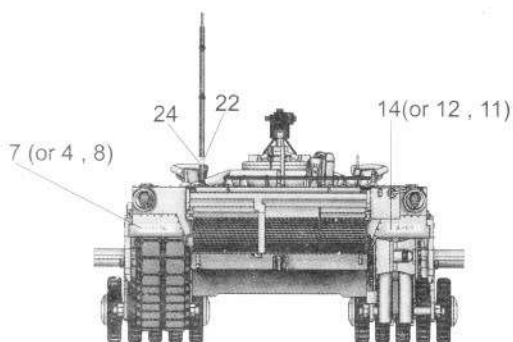
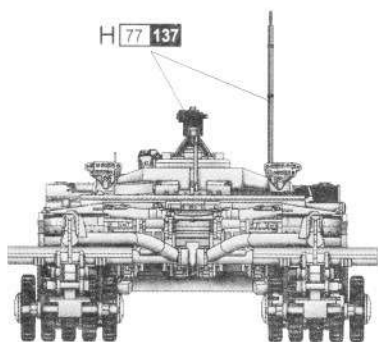
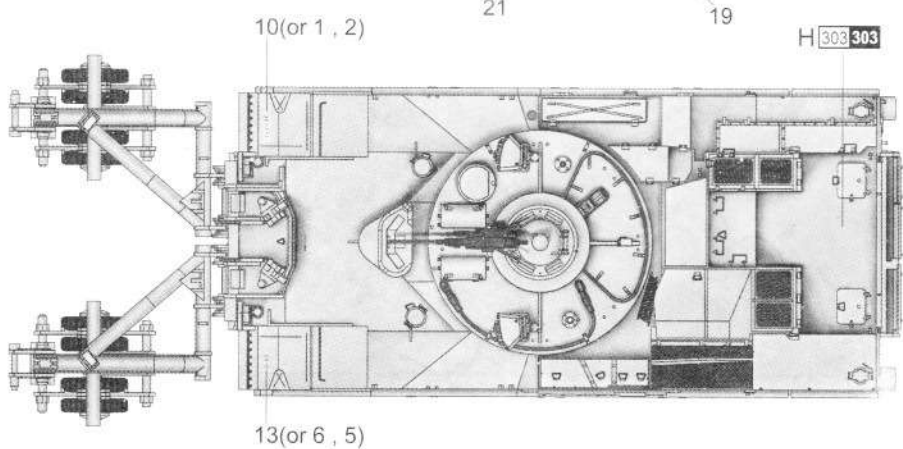
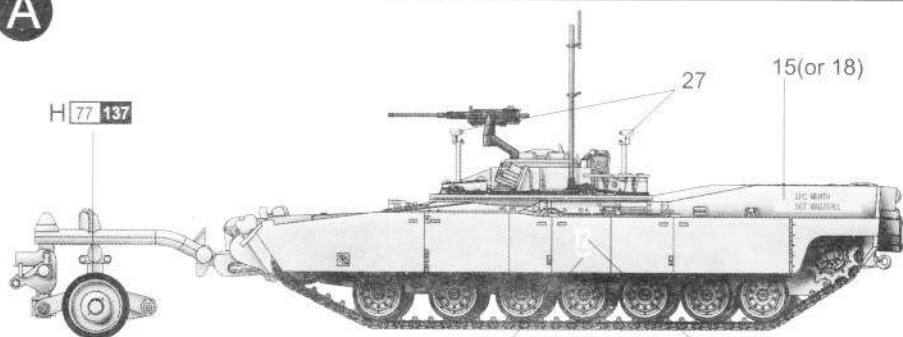
11 指挥塔安装
Command installation



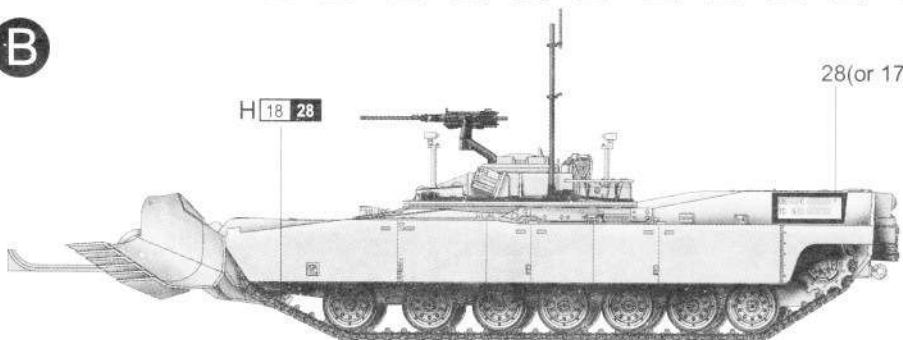
涂装同标贴指示 Painting & Marking guide

| Color | Mr.Hobby | Vallejo | Model Master | Tamiya | Humbrol |
|--------------------|-----------|---------|--------------|--------|---------|
| Metal Black 黑铁色 | H 18 28 | 864 | 1402 | - | - |
| Tire Black 胎黑色 | H 77 137 | - | - | - | - |
| Light Green 绿色 | H 303 303 | - | 1713 | XF20 | 117 |

A



B



H X AQUEOUS HOBBY COLOR

X Mr. COLOR

| | | | | | | | | | |
|----|---------------------------------|----|-----------------|----|------|----|----|---------------|--------|
| 1 | 130C 54C | 2 | TF 000 | 3 | A 00 | 12 | 19 | 12 | - 22 - |
| 4 | 130E 54E | 5 | ENG 124 | 6 | C 00 | | | | u 23 u |
| 7 | I-I-BC | 8 | TF 000 | 9 | A 55 | ☐ | 20 | ☐ | - 24 - |
| 10 | I-I-BC | 11 | ENG 124 | | | ☐ | | | 25 — |
| 13 | B-00 | 14 | B-00 | 12 | C 55 | ☐ | 21 | ☐ | 26 |
| 15 | SPC MENTH SGT MAUZERLL | 16 | TC: SPC DIXON | | | | | | 27 |
| 17 | DRY SPC SNYDER TC SGT MATUTE | 18 | DVR: PV2 JARVIE | | | | 28 | DR: C T: S | |

07280 1/72 M1 Panther II Mine Clearing Tank