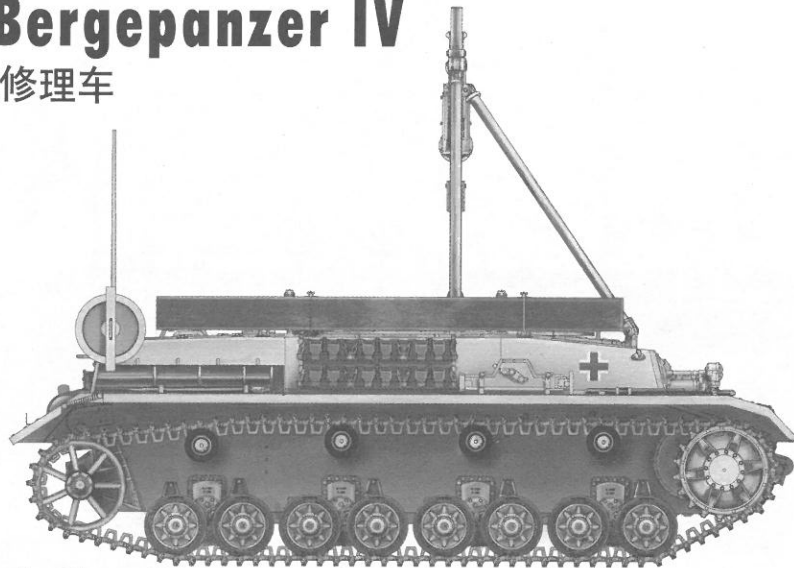


German Bergepanzer IV

德国四号坦克修理车



READ BEFORE ASSEMBLY:

- Study and understand these instructions thoroughly before beginning assembly
- When needed, remove photo-etch parts carefully using a modeling knife or photo etch sprue cutter, being careful not to damage or lose small parts.
- Take extra care in handling photo etch parts in order to avoid injury
- Apply instant cement sparingly to photo etch parts where instructed
- Tools recommended(not included in kit):Plastic and instant cements, sprue cutters,long nose pliers,modeling knife, small files, tweezers, pin vise & scissors. Soft cloth and sandpaper will also assist in construction
- Glue and paint are not included in the kit. Use plastic cement and hobby paints only. Color guide for purchasing paint is included in the kit.

装配之前仔细阅读

- 小心用模型锉刀锉平所有零件表面的注射浇口。
- 小心用刀片切下蚀刻片零件，不要遗失小零件。
- 用强力快干胶水粘合蚀刻片零件和金属轴。过量快干胶水使用可能导致可动零件会粘住，小心涂胶。
- 取蚀刻片时应特别注意安全，防止利刃划伤手指。
- 某些零件表面需贴上水贴纸，请选择在装配的同时进行。
- 推荐模型工具(自备)：胶水，水口剪刀，长咀钳，刀片，锉刀，镊子，钳，钻，剪刀，瞬间快干胶。
- 软布同砂纸同时也应该是必备工具。
- 请使用塑料胶水和油漆，模型内不含。



配重
Weight



使用强力胶
Cyanoacrylate glue



钻孔
Make hole



切除
Cut / Remove



贴纸
Decal



锉平
File / Sand



选择
Option



不涂胶水
No cement



弯曲
Bend

水贴纸的使用:

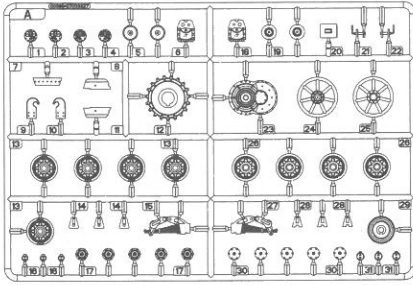
- 1.从水贴纸上剪下印花;
- 2.将印花放入温水中浸10秒，然后放在干净布上。
- 3.拿着印花纸板将印花移到模型上;
- 4.手指蘸水将印花移到适当的位置;
- 5.用软布轻压印花直至水干，气泡消失

DECAL APPLICATION

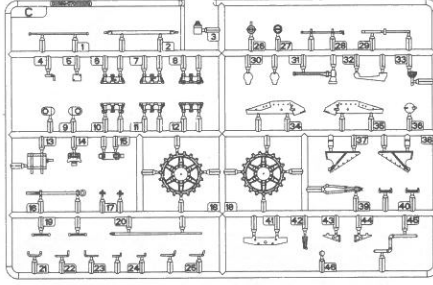
- 1.Cut decals from sheet as needed
- 2.Dip the decal in warm water for about 10 seconds and then place on soft clean cloth.
- 3.Hold the decal backing sheet edge and gently slide the decal onto the model in its proper position.
- 4.While still wet,decal can be adjusted for better fit on model by dampening it gently with your finger.
- 5.When placed in the proper position,gently press decal down with a soft cloth until excess water and air bubbles are gone.
- 6.Allow decal to dry completely before handling model

部品图 Part

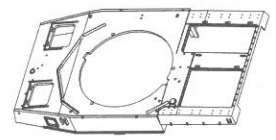
Ax4



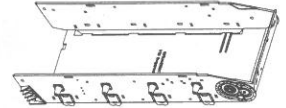
C



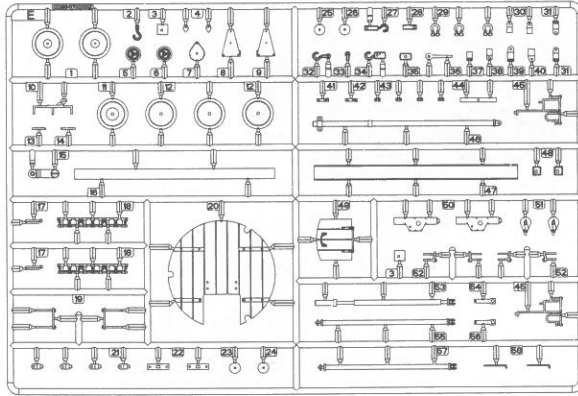
《车面》
Upper hull



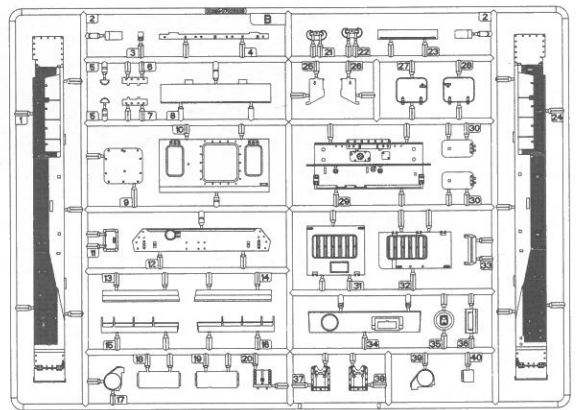
《车底》
Lower hull



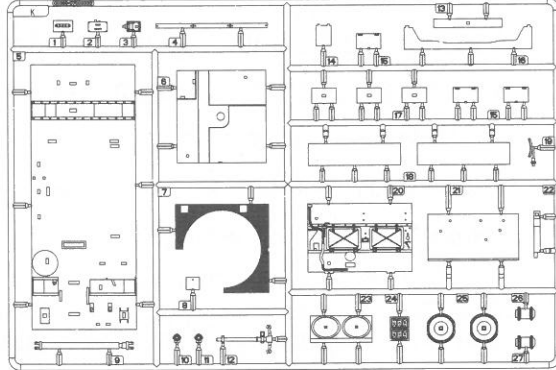
E



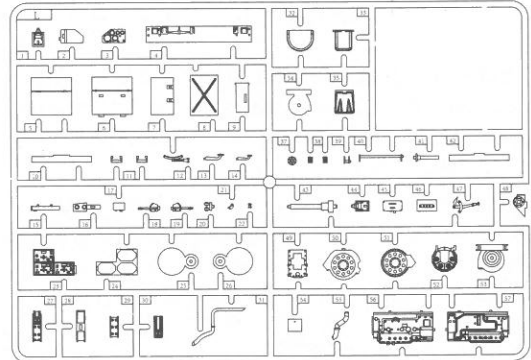
B



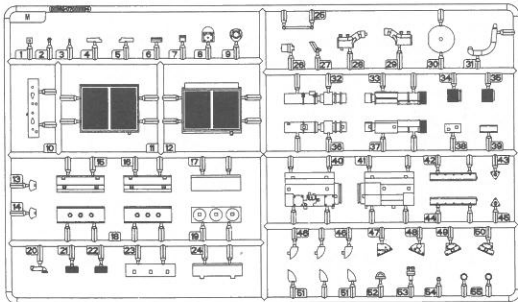
K



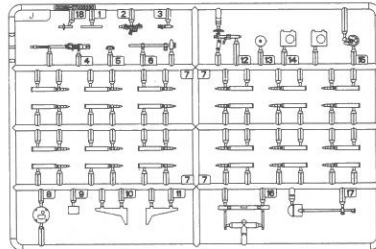
L



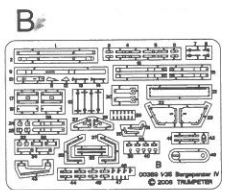
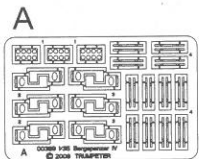
M



J



《蚀刻片》
Photo etched part(PE)



《链条》 0.5x250mm
Chain

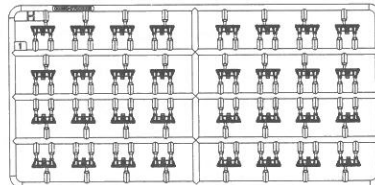


《水贴纸》
Decal

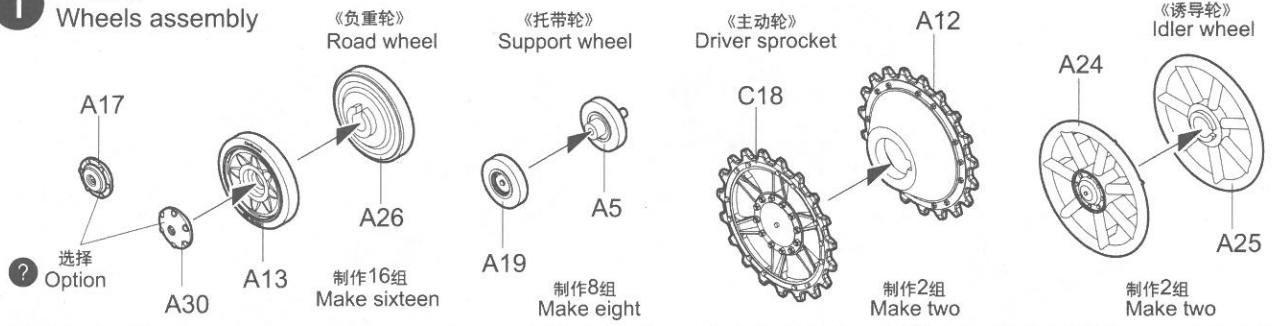


不用部品: L12, L44, L45, L46, L54
No used parts

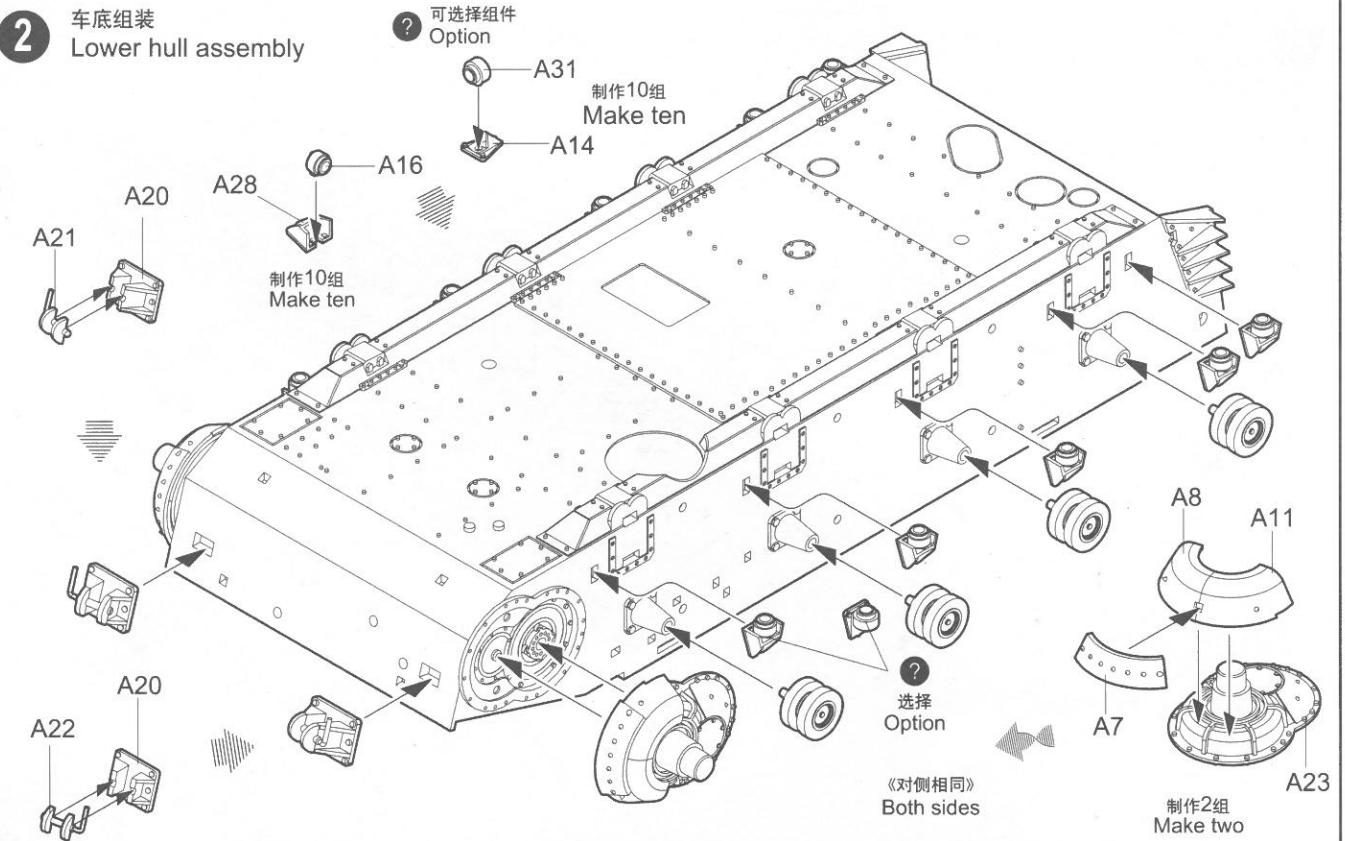
Hx7



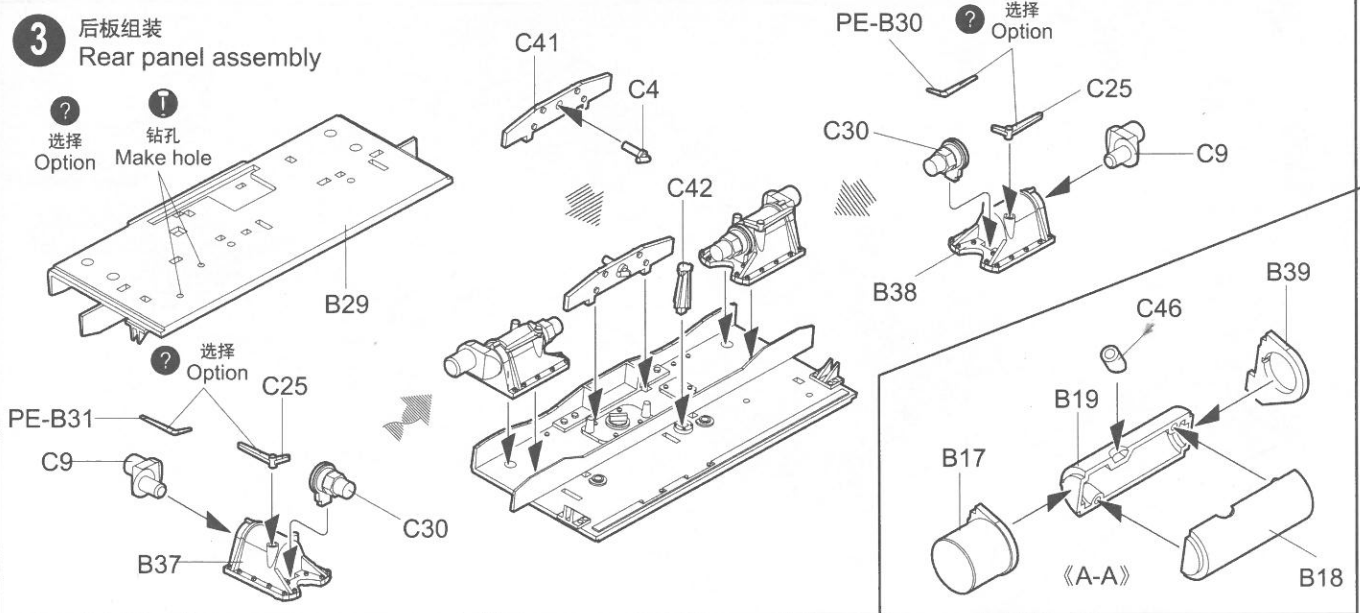
1 车轮组装 Wheels assembly



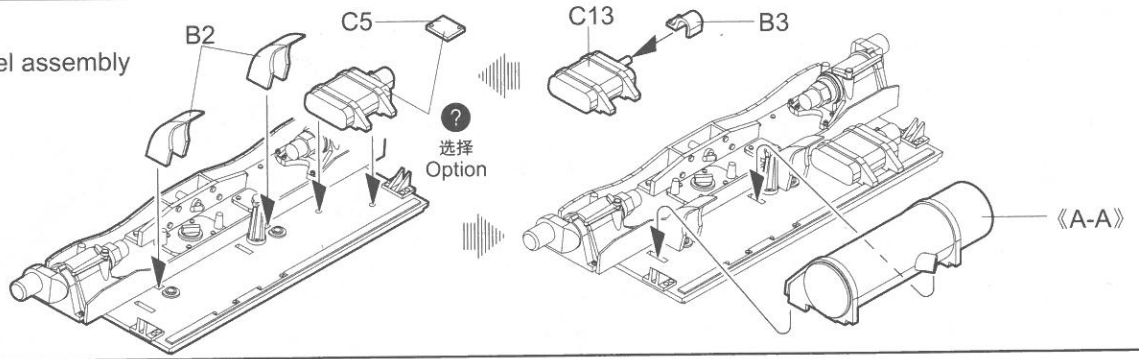
2 车底组装 Lower hull assembly



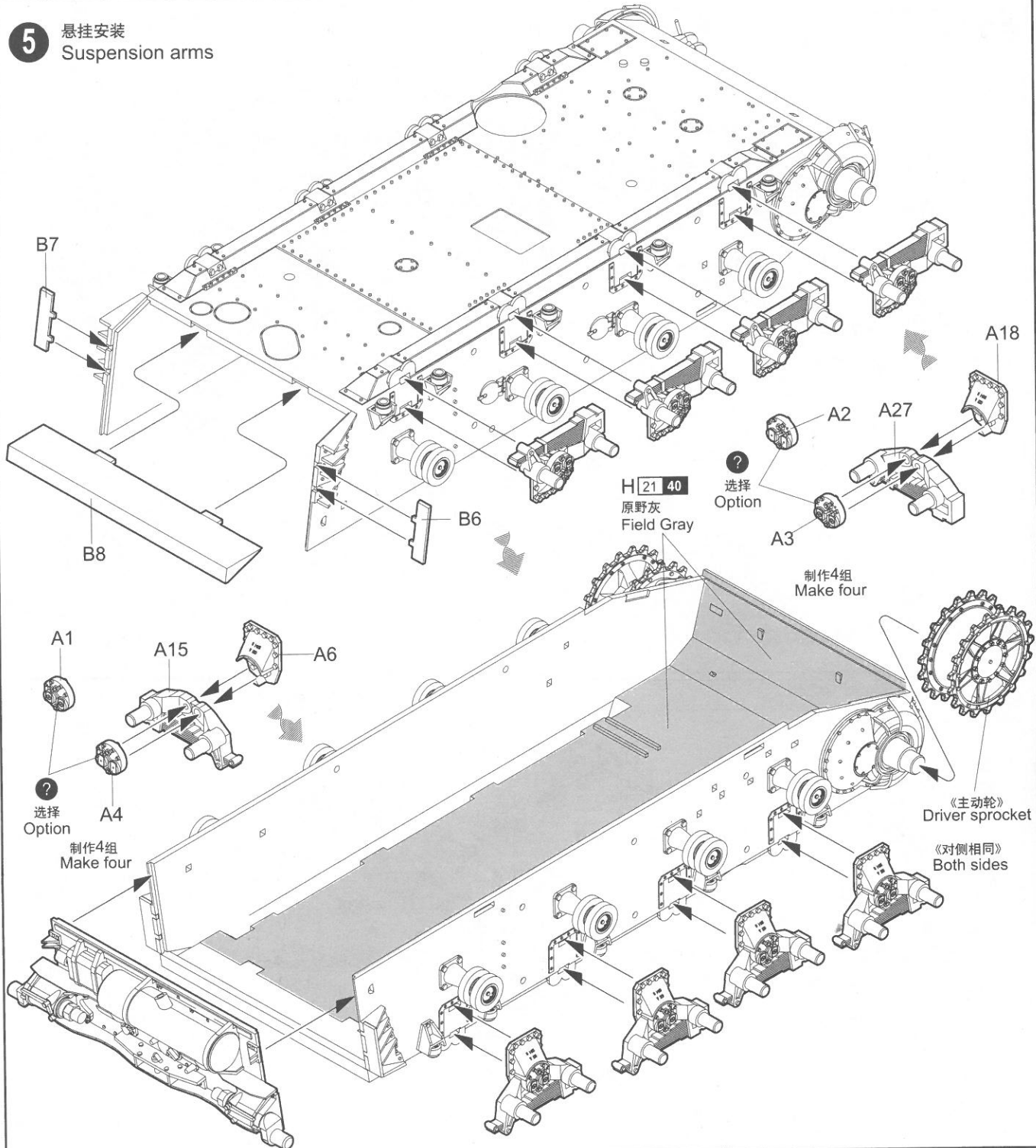
3 后板组装 Rear panel assembly



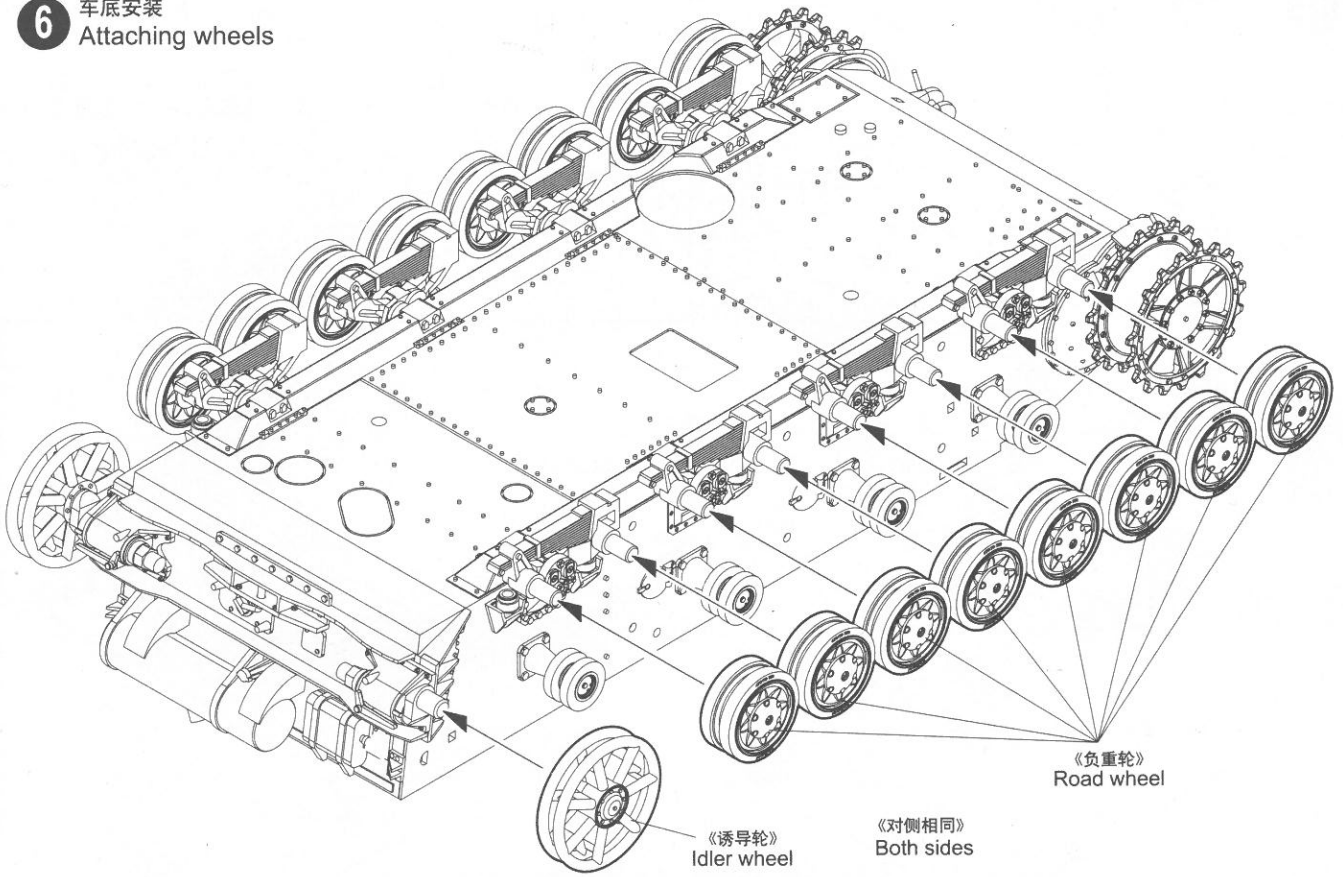
4 后板组装
Rear panel assembly



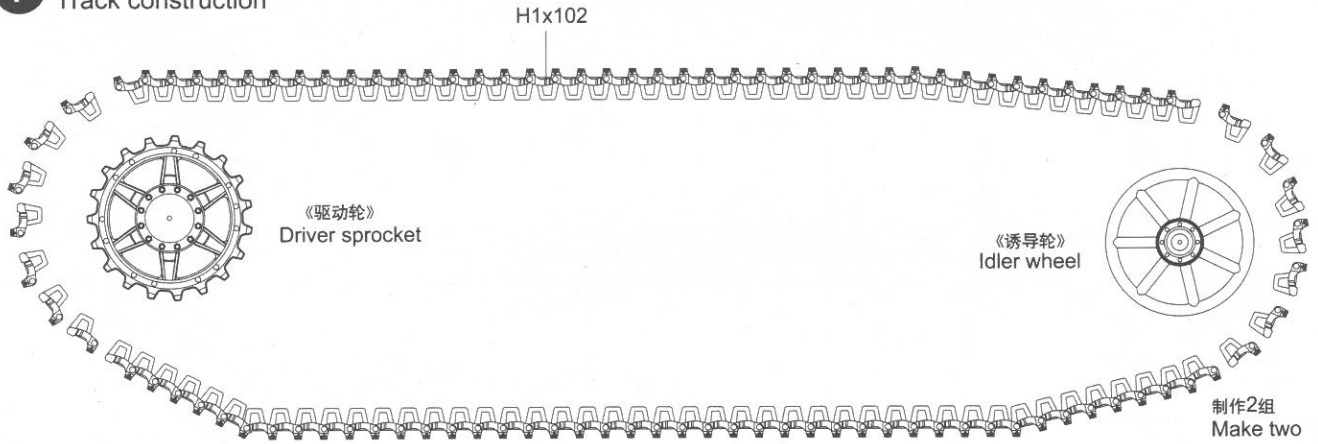
5 悬挂安装
Suspension arms



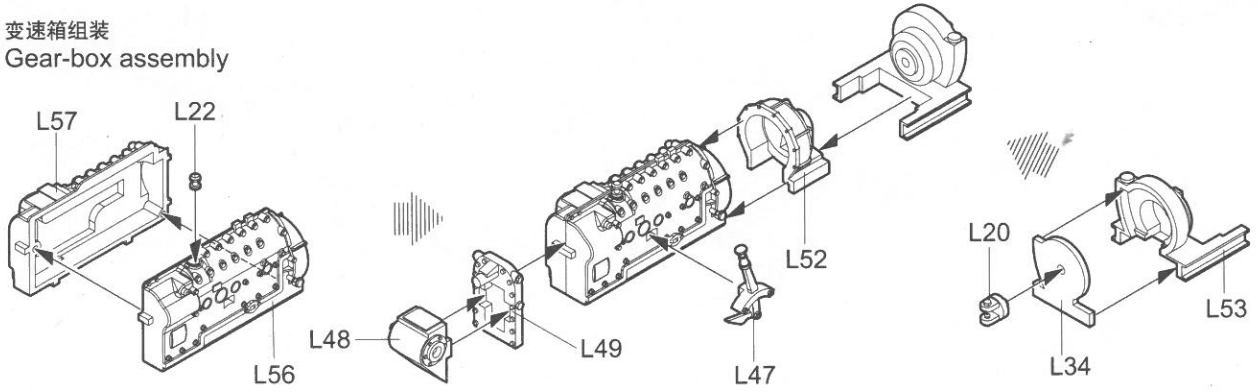
6 车底安装
Attaching wheels



7 履带联接
Track construction

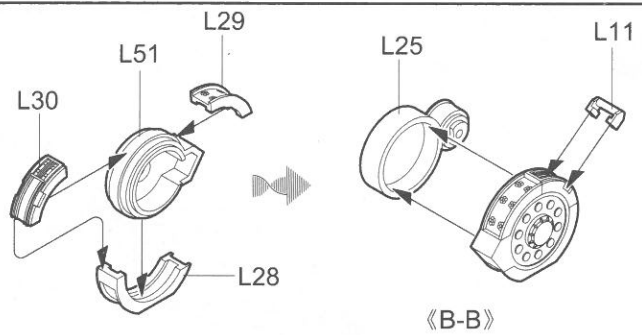
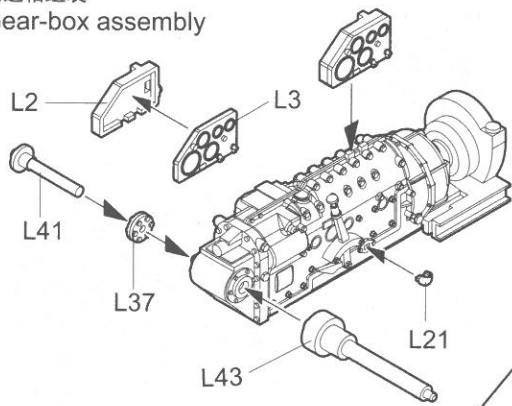


8 变速箱组装
Gear-box assembly

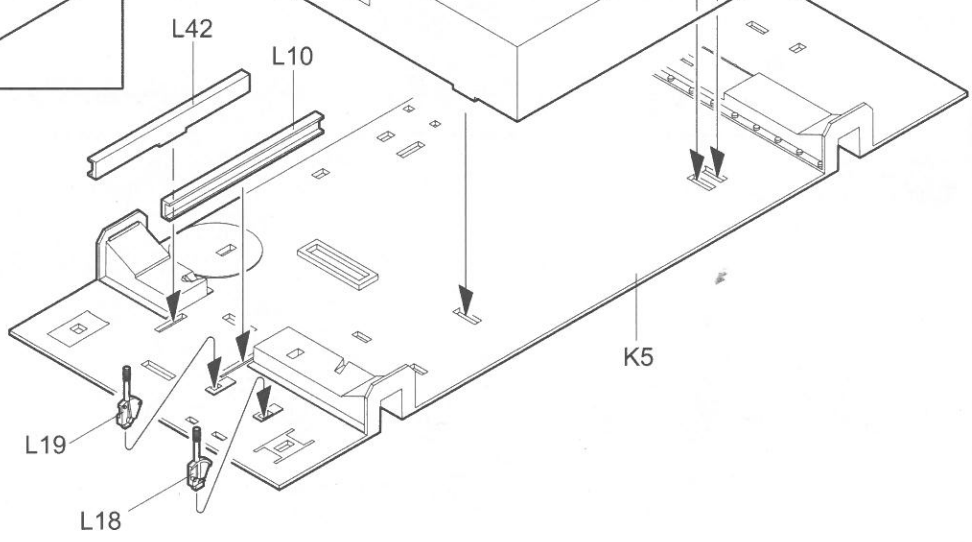
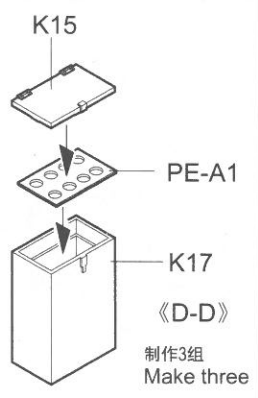
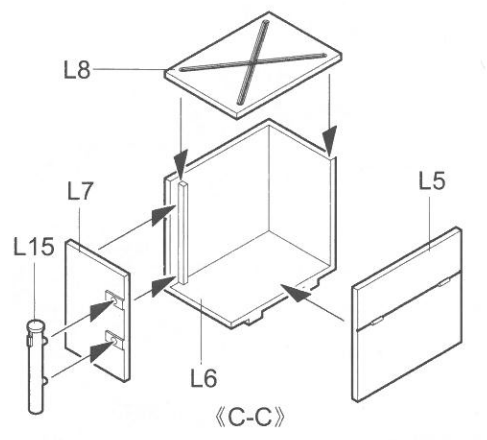
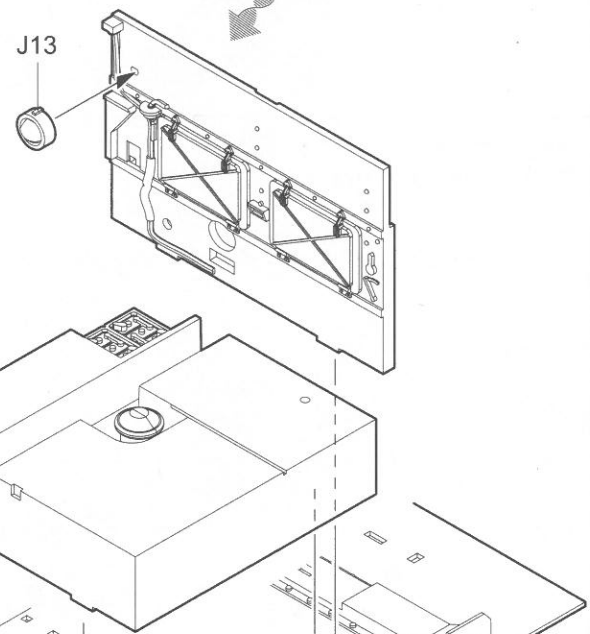
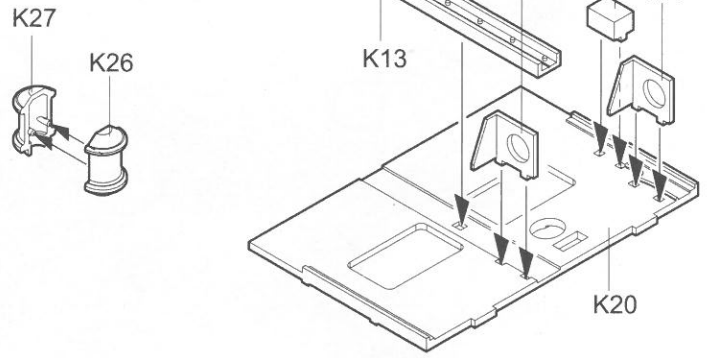
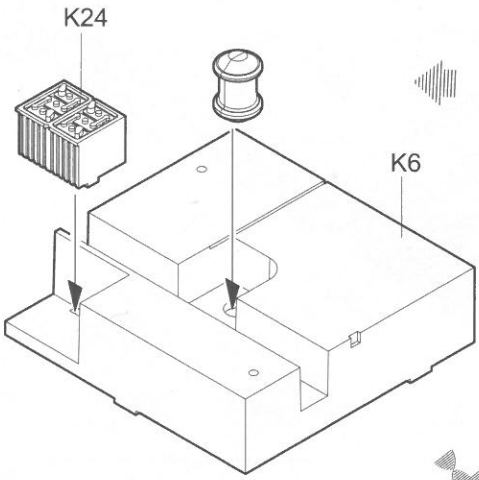


9

变速箱组装
Gear-box assembly

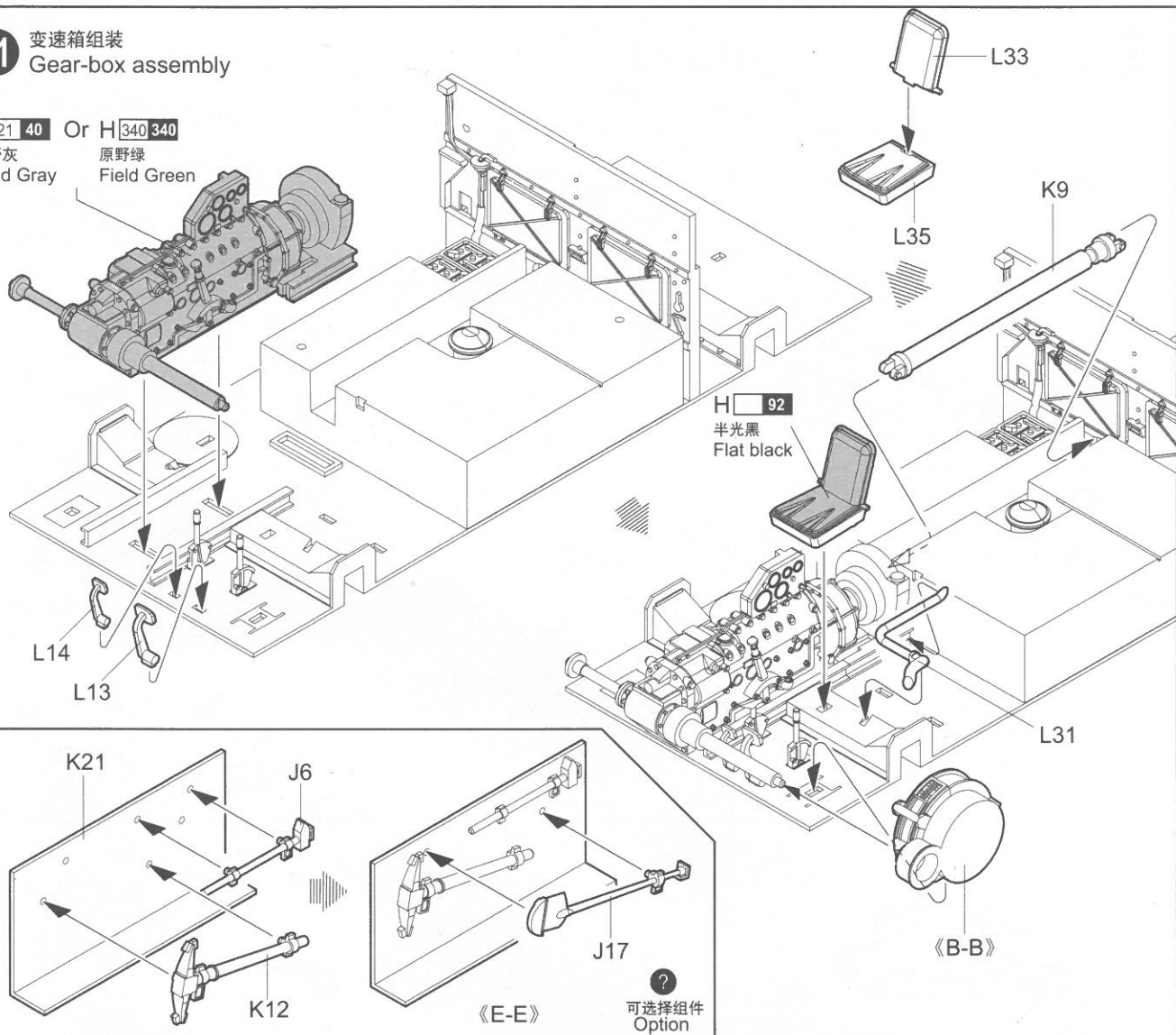


10

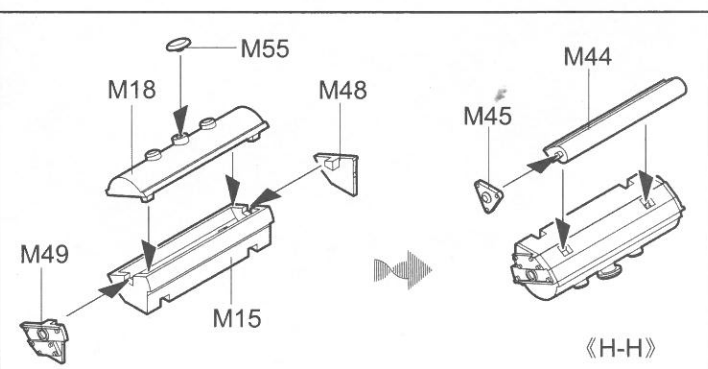
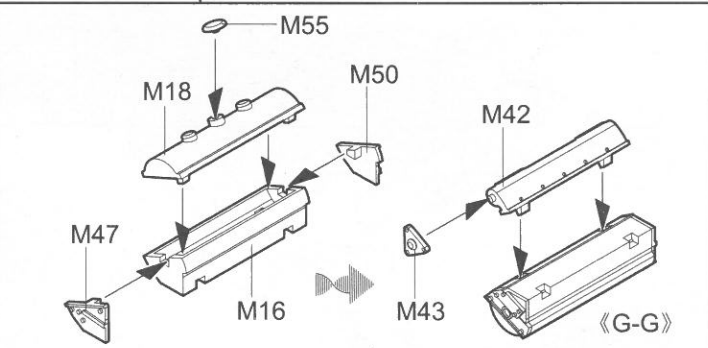
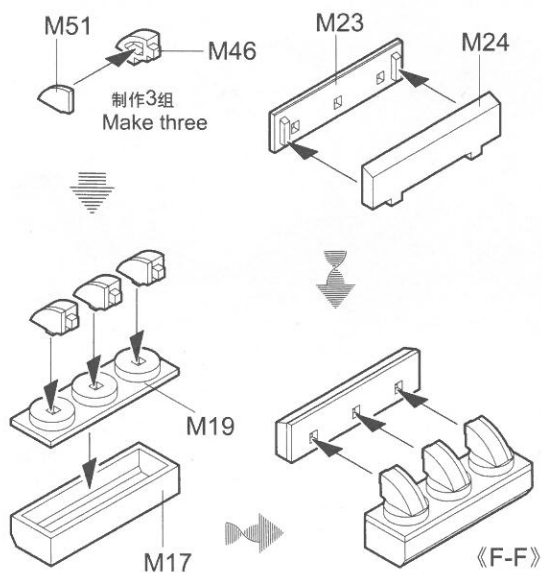


11 变速箱组装 Gear-box assembly

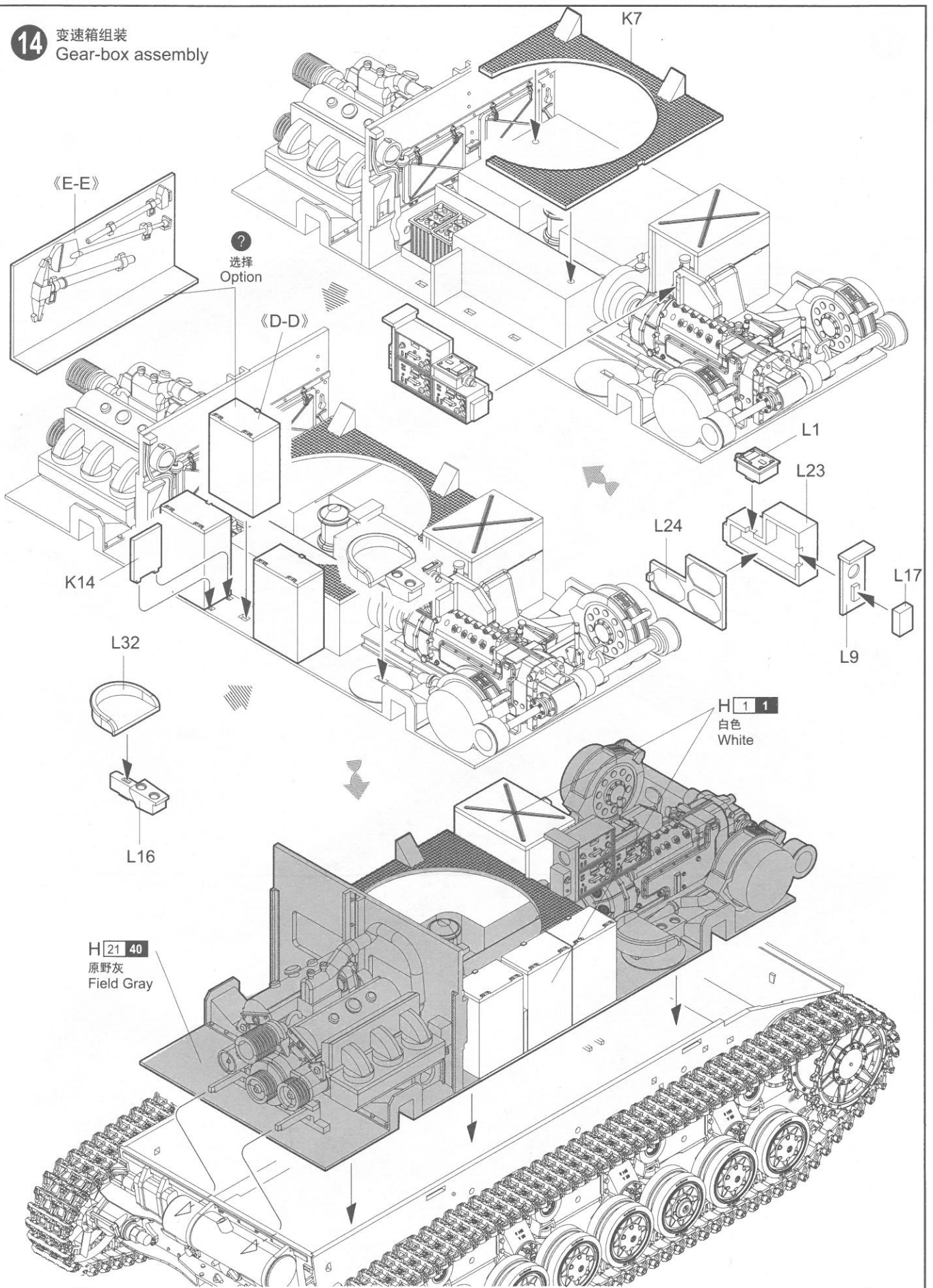
H 21 40 Or H 340 340
原野灰 Field Gray 原野绿 Field Green



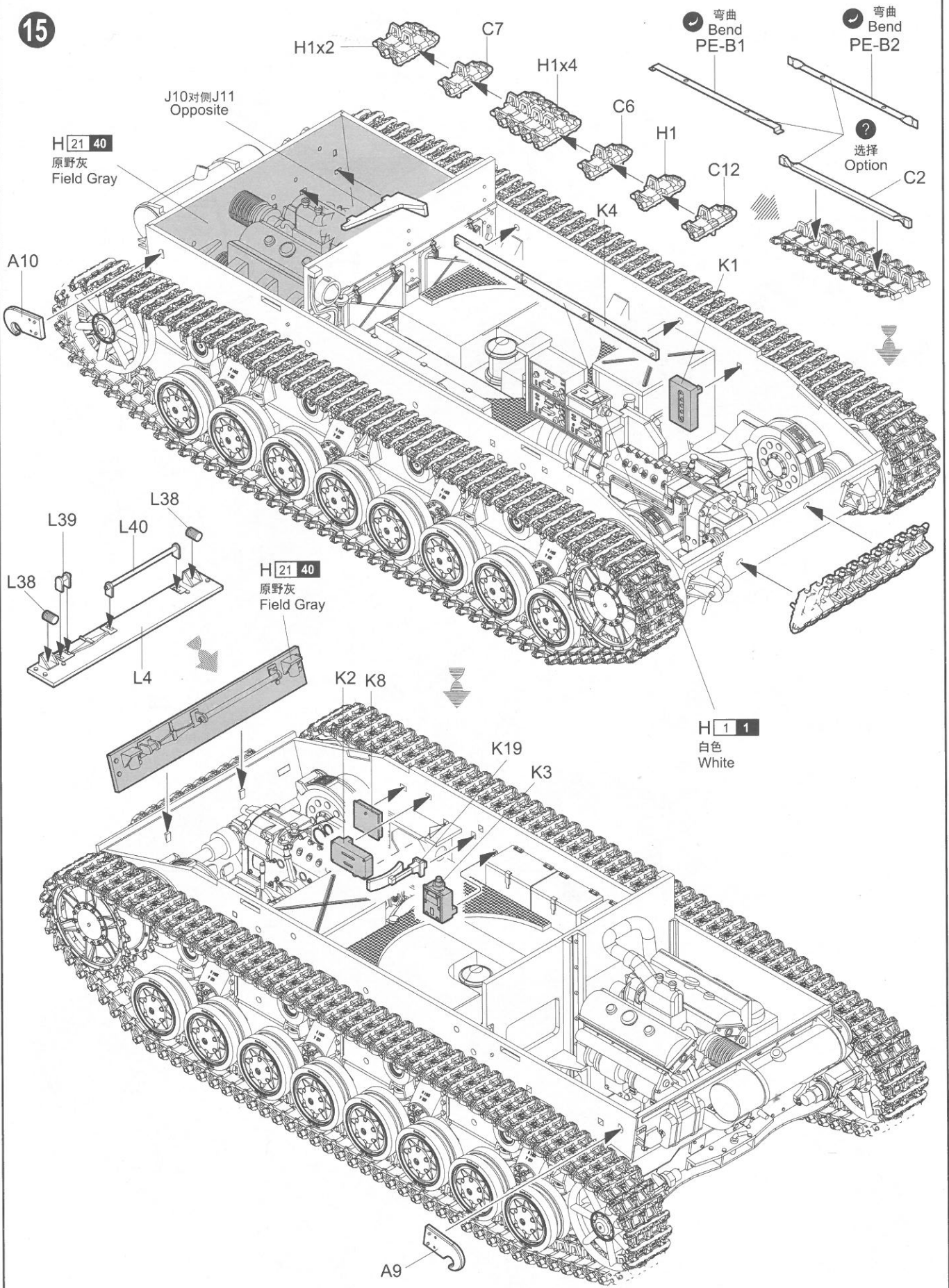
12 变速箱组装 Gear-box assembly



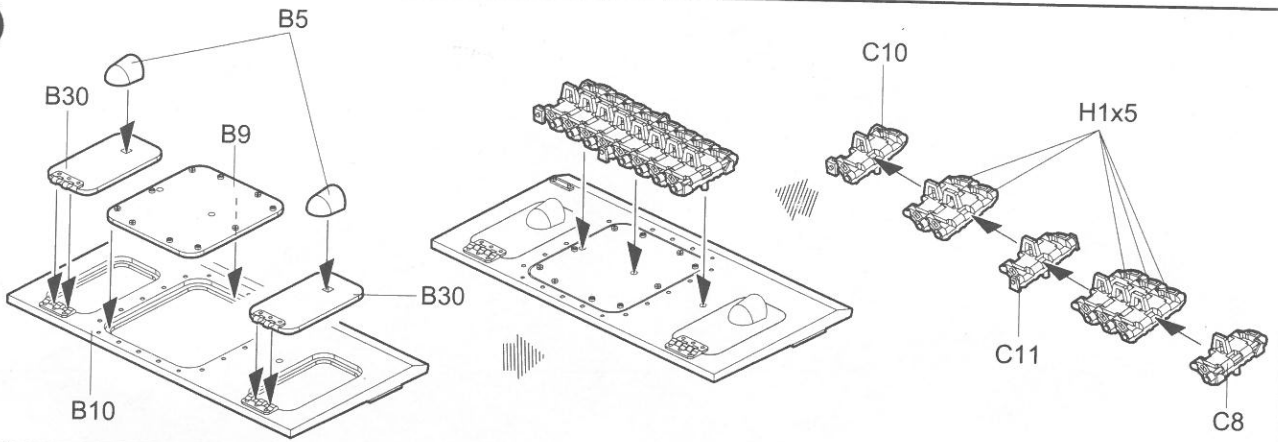
14 变速箱组装
Gear-box assembly



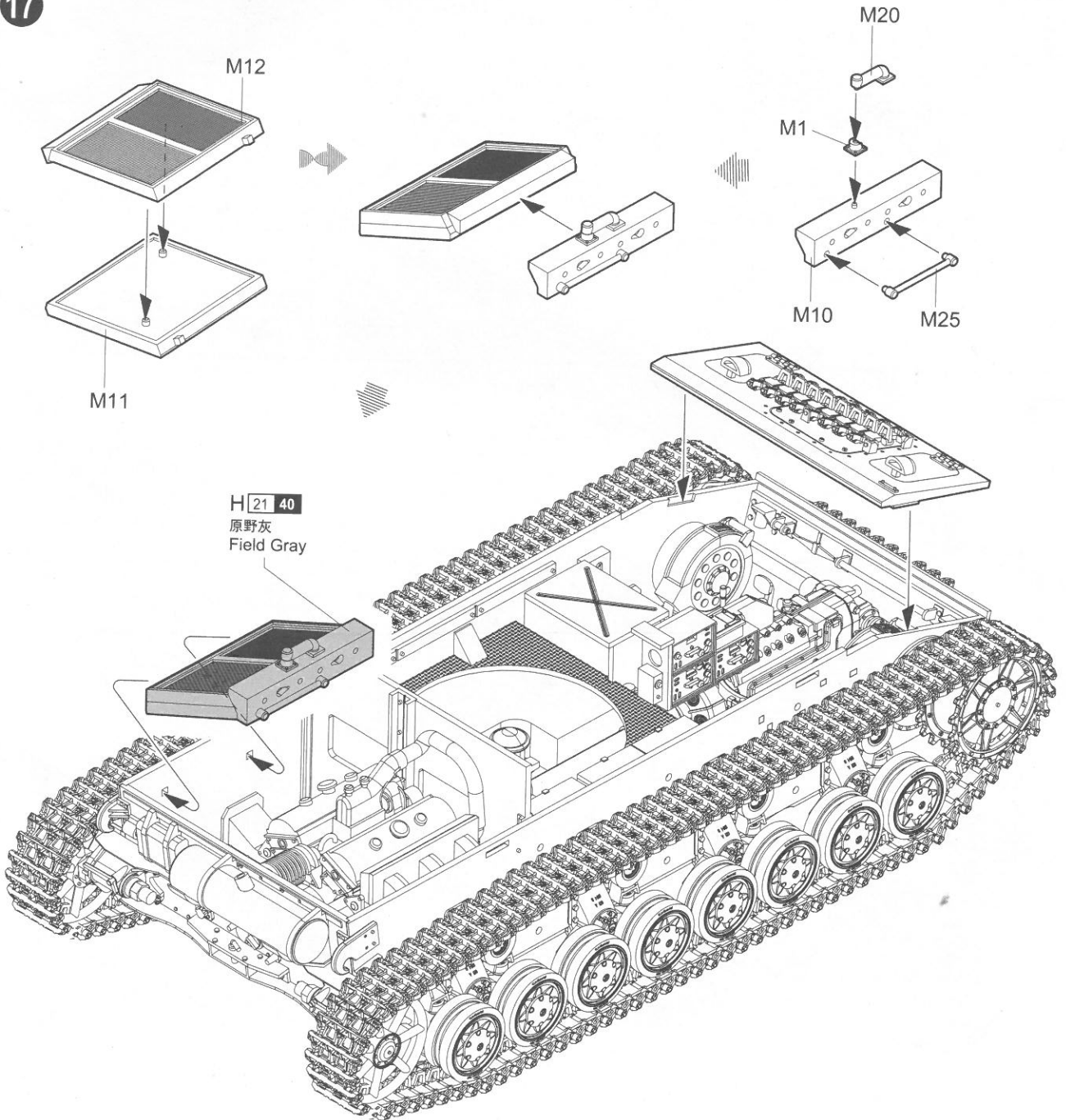
15



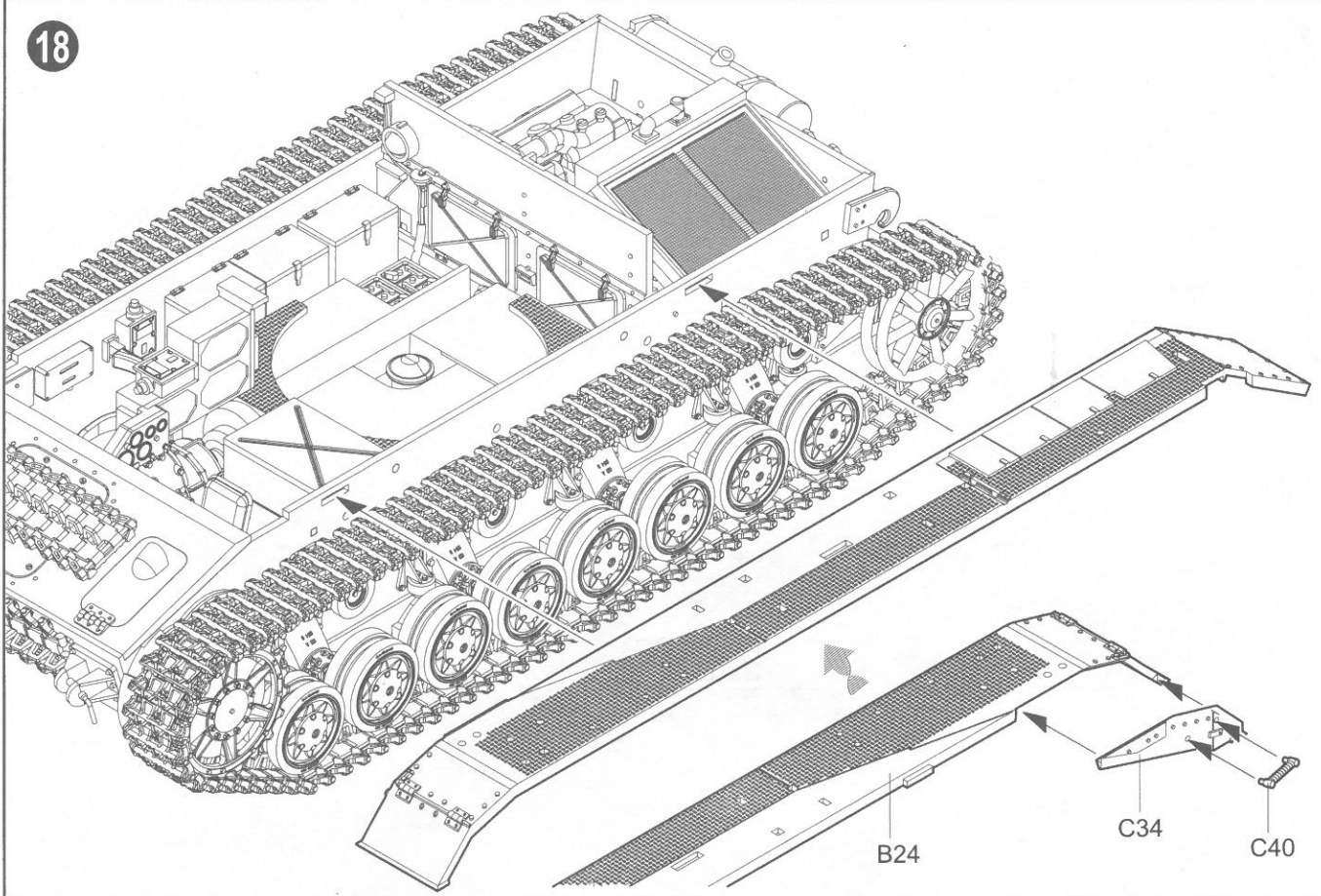
16



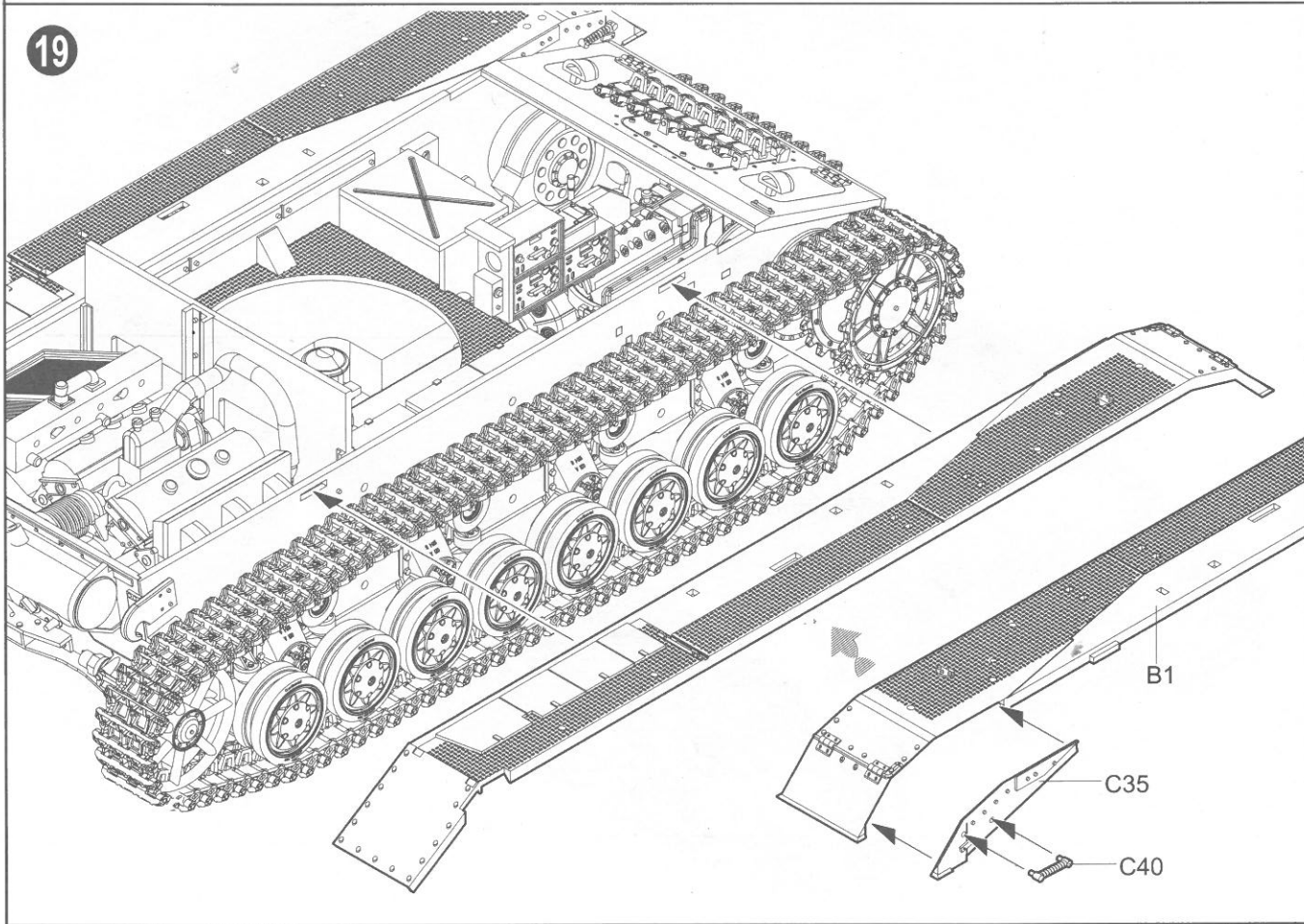
17



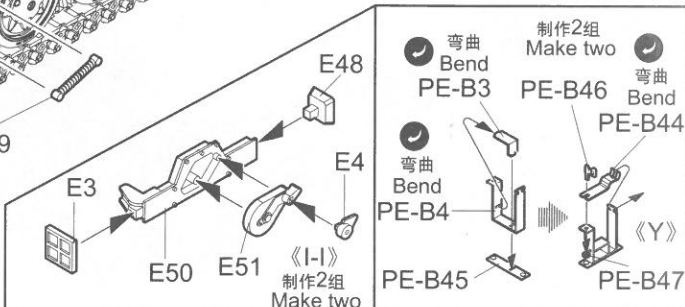
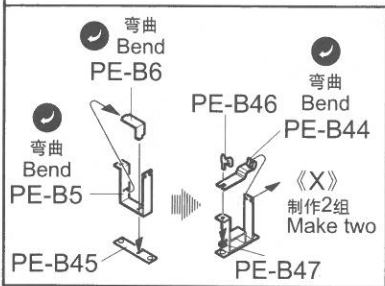
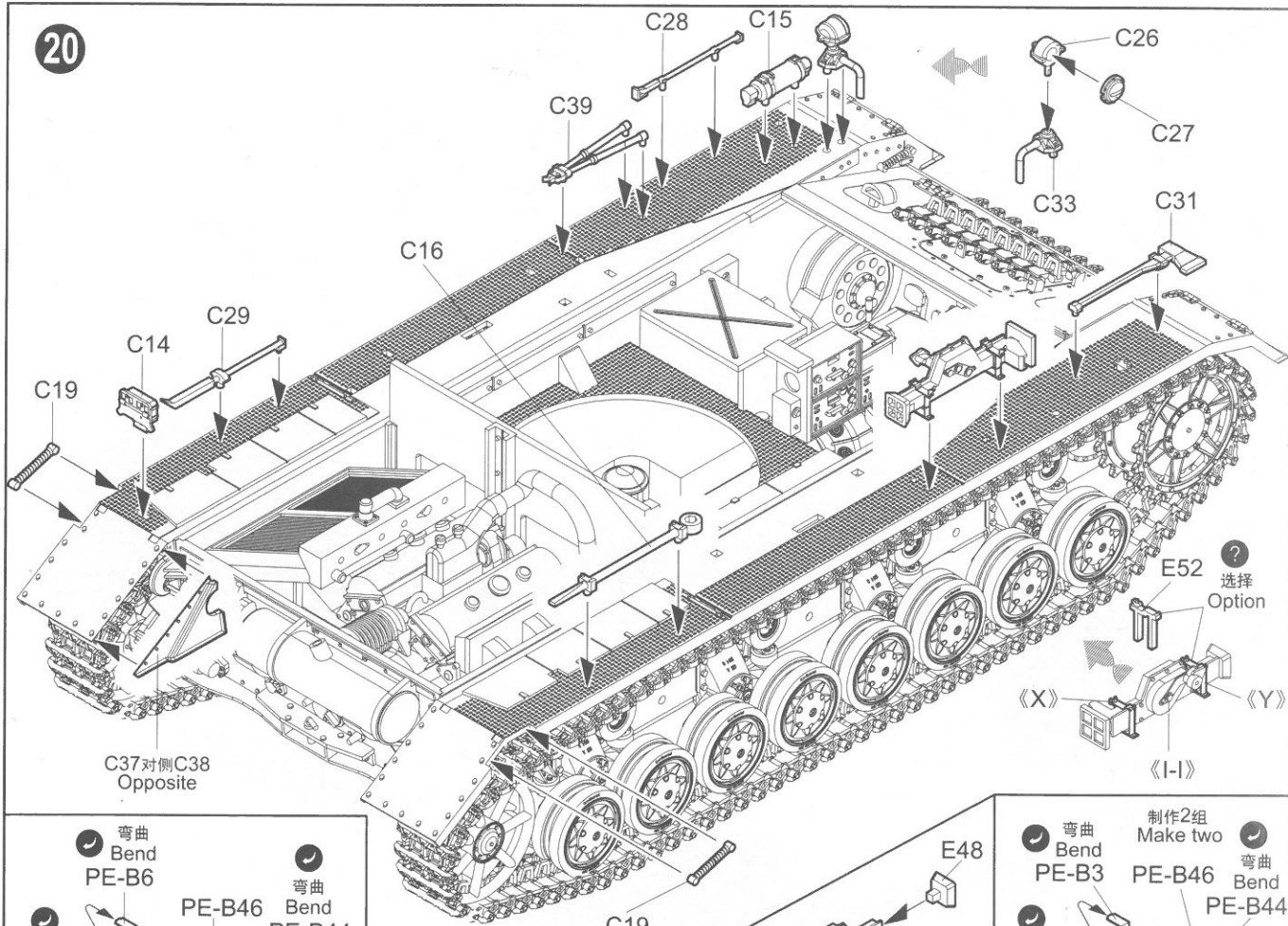
18



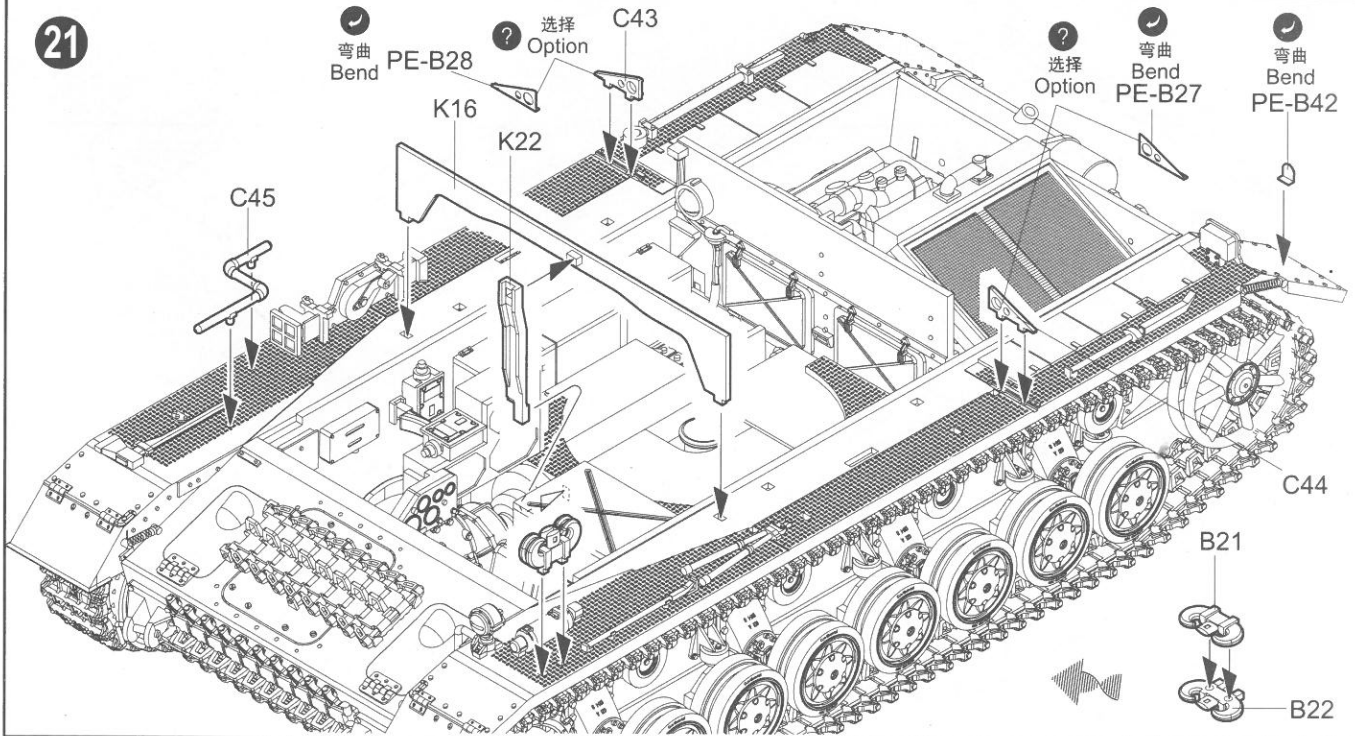
19



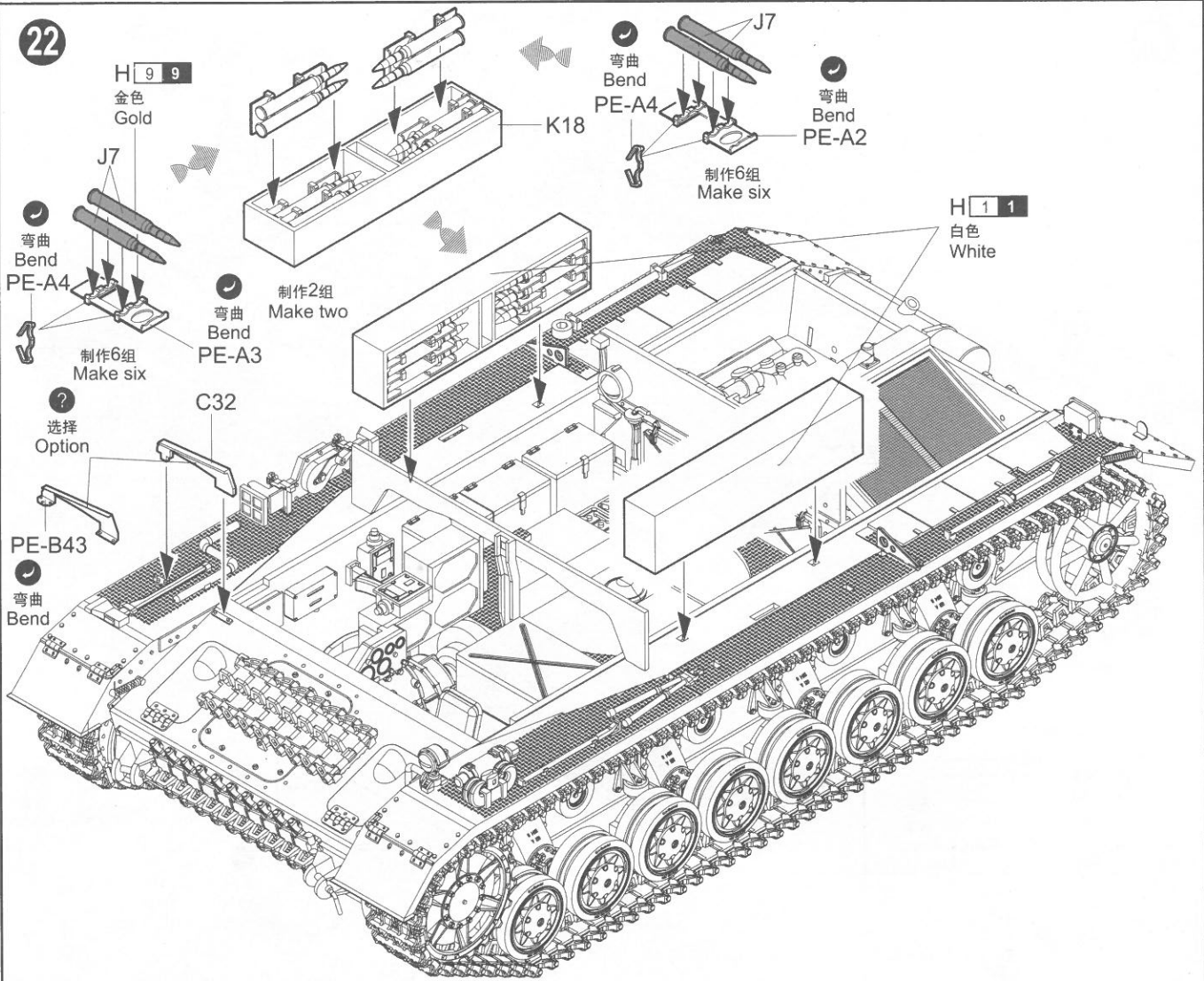
20



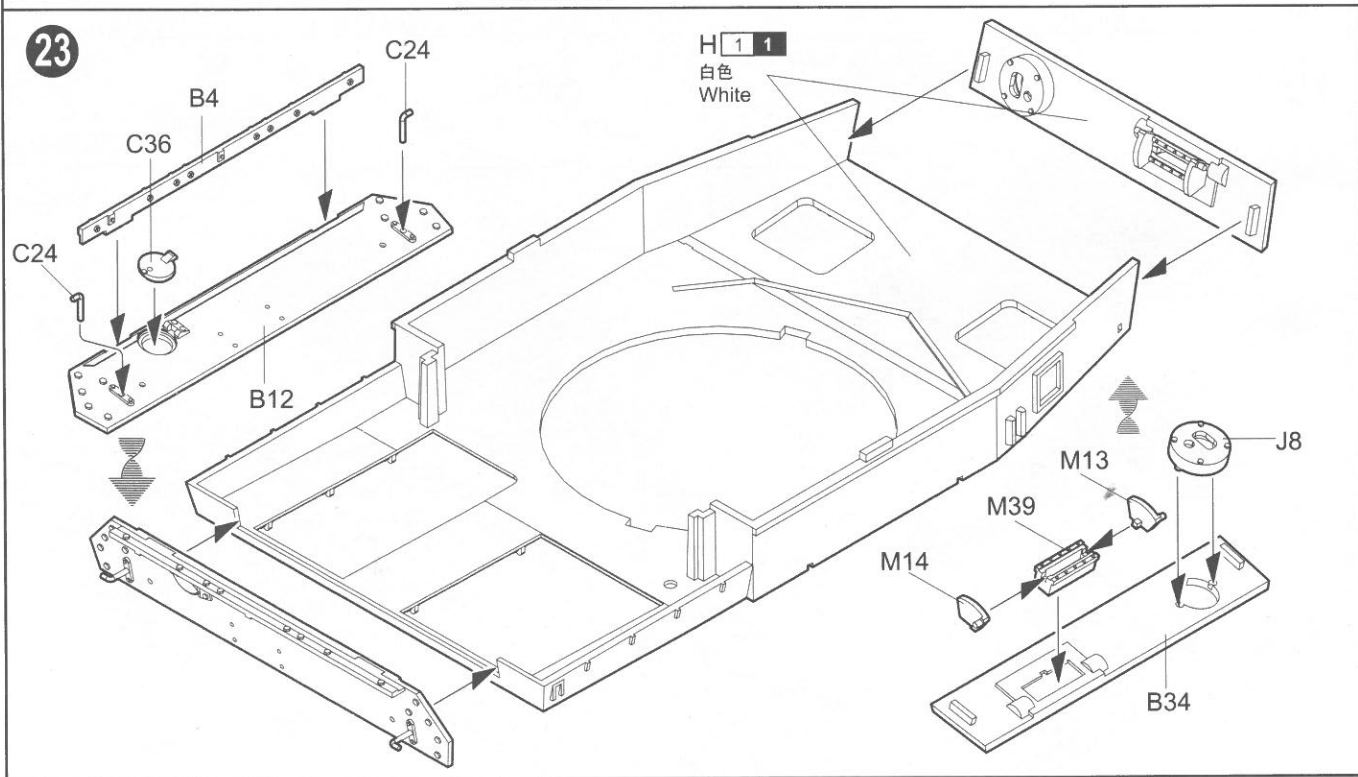
21



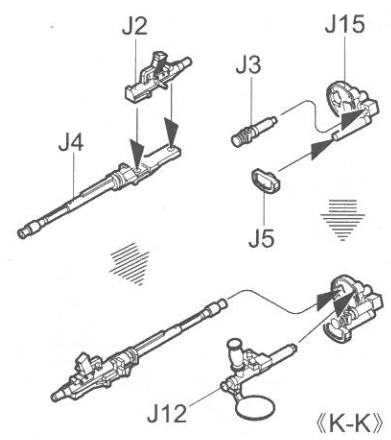
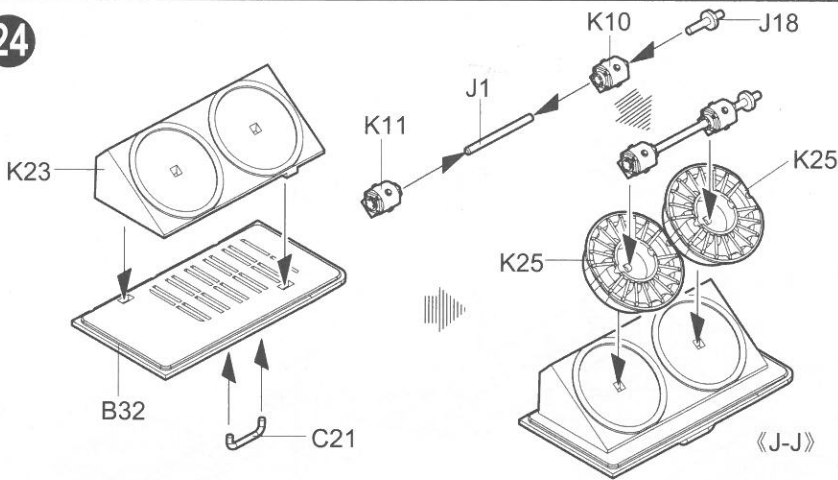
22



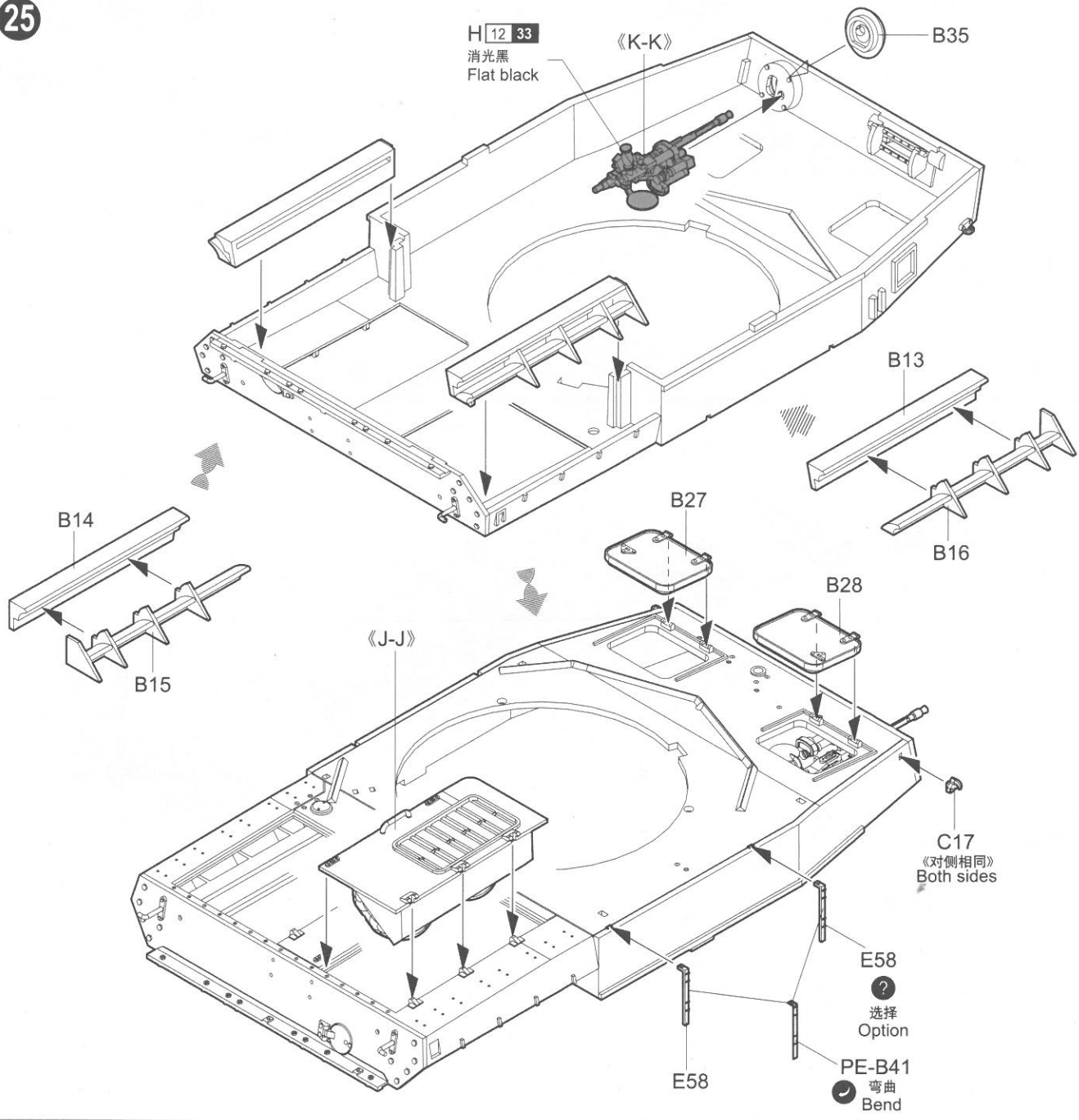
23



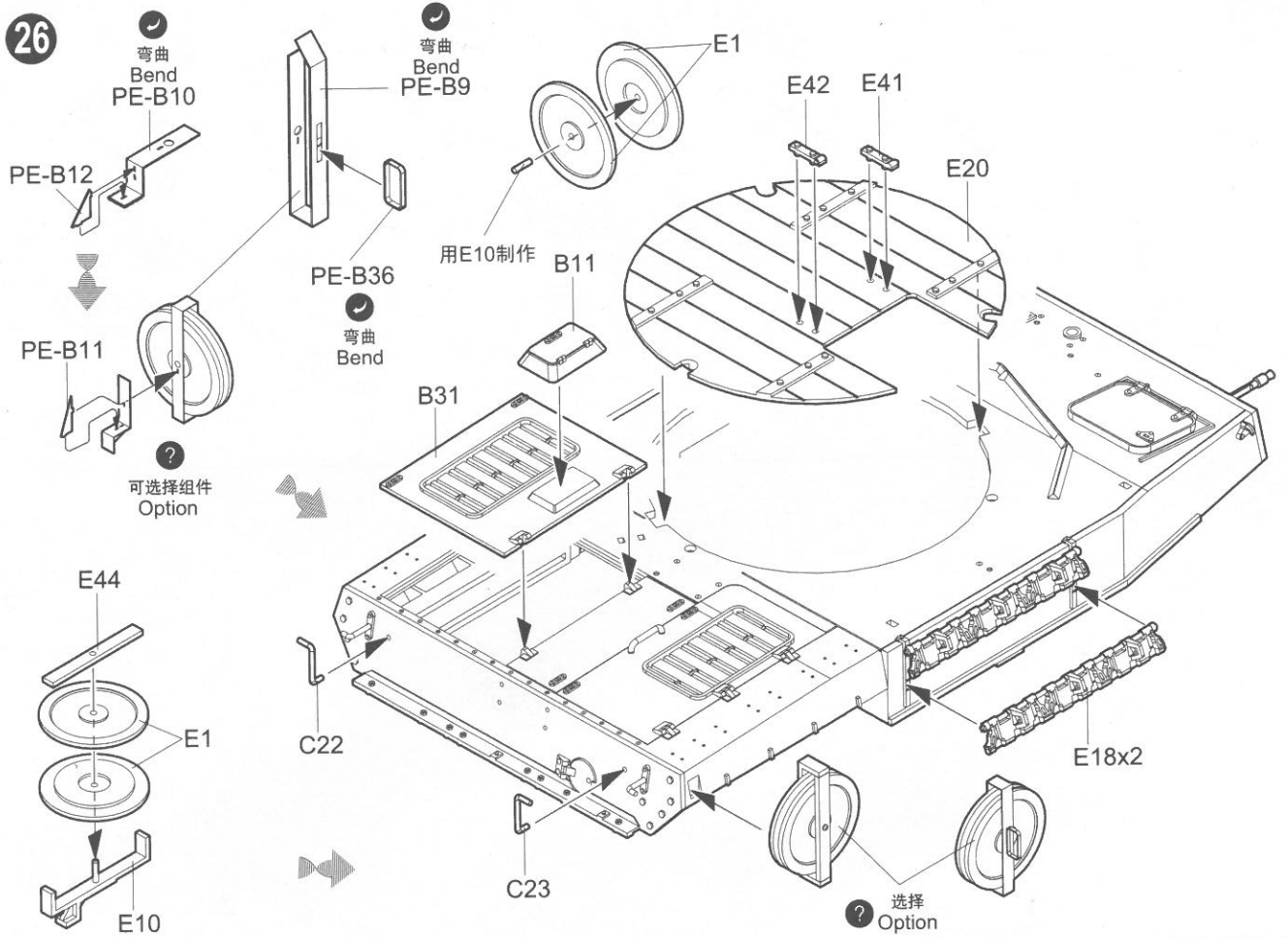
24



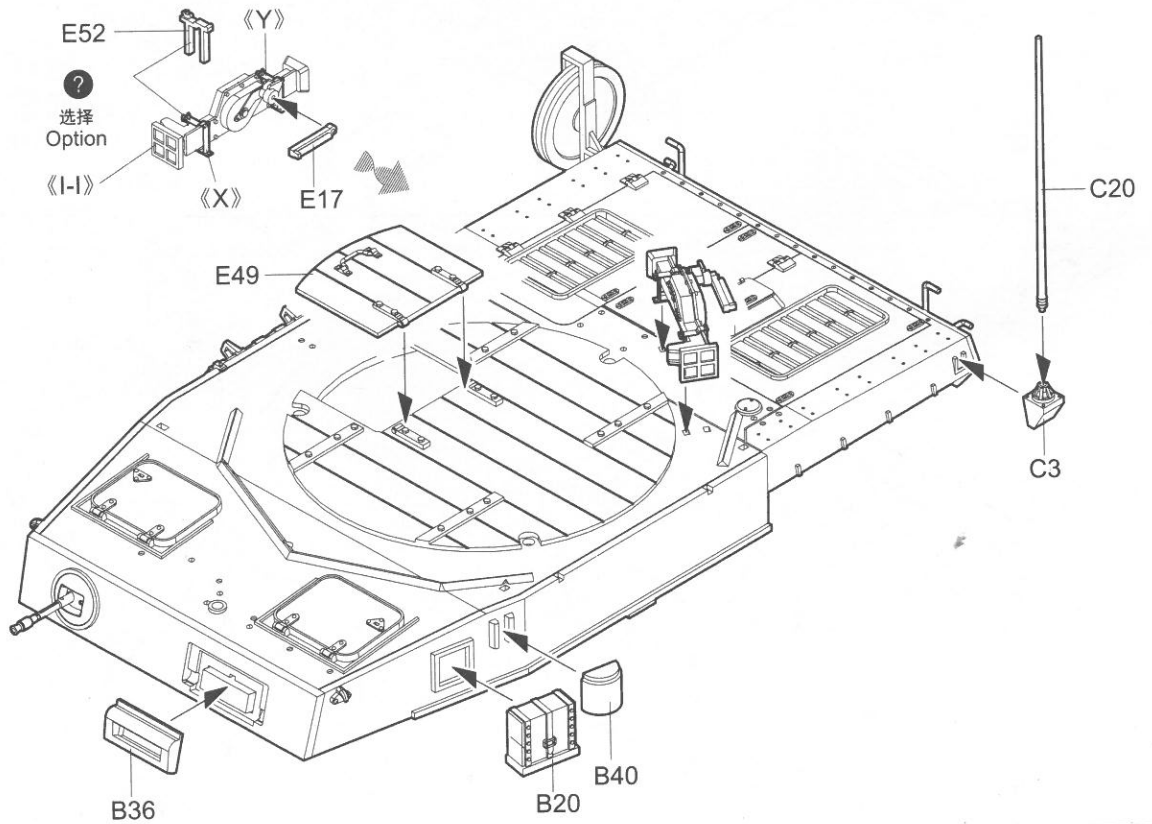
25



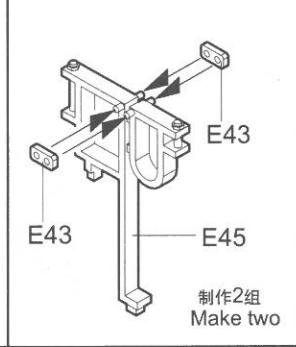
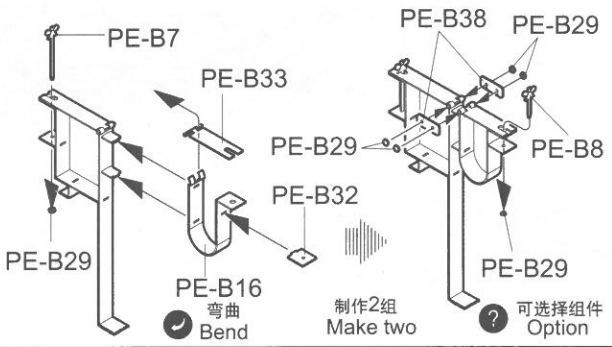
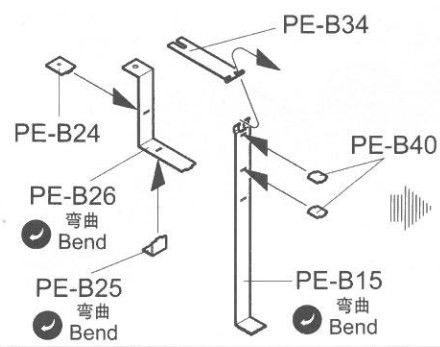
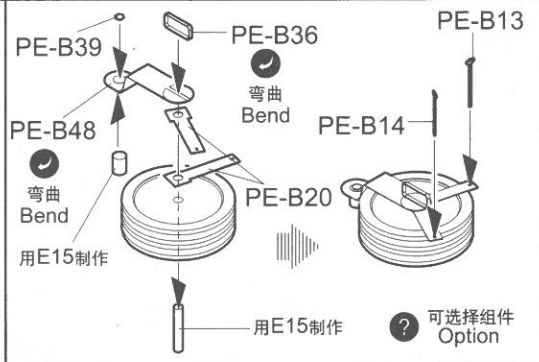
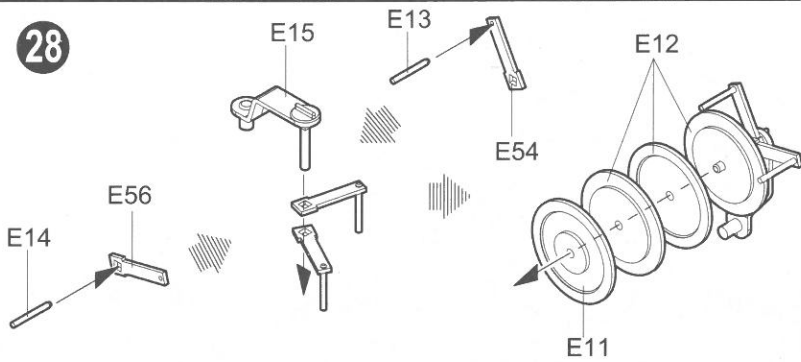
26



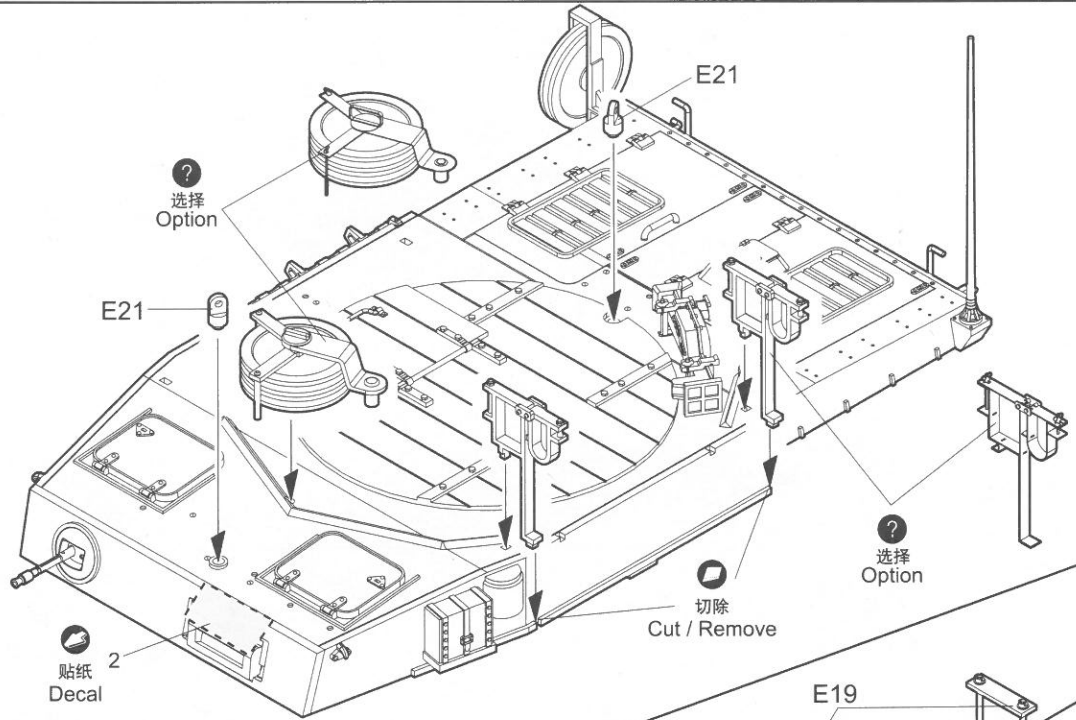
27



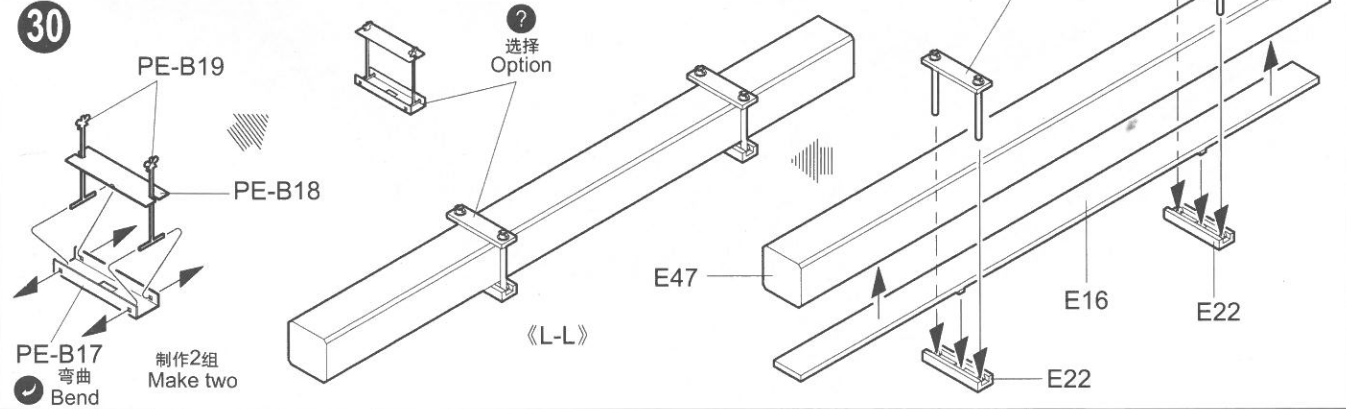
28

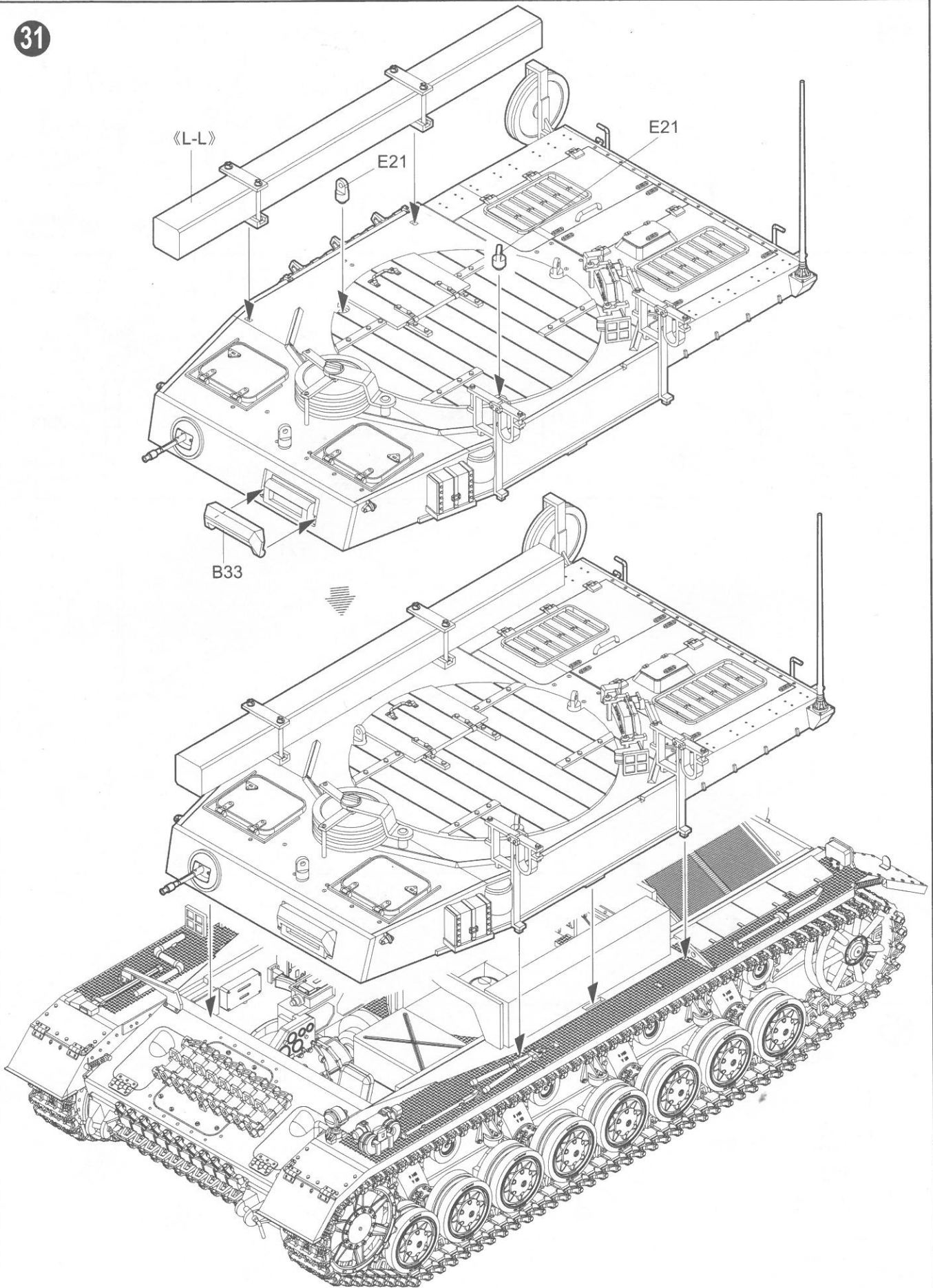


29

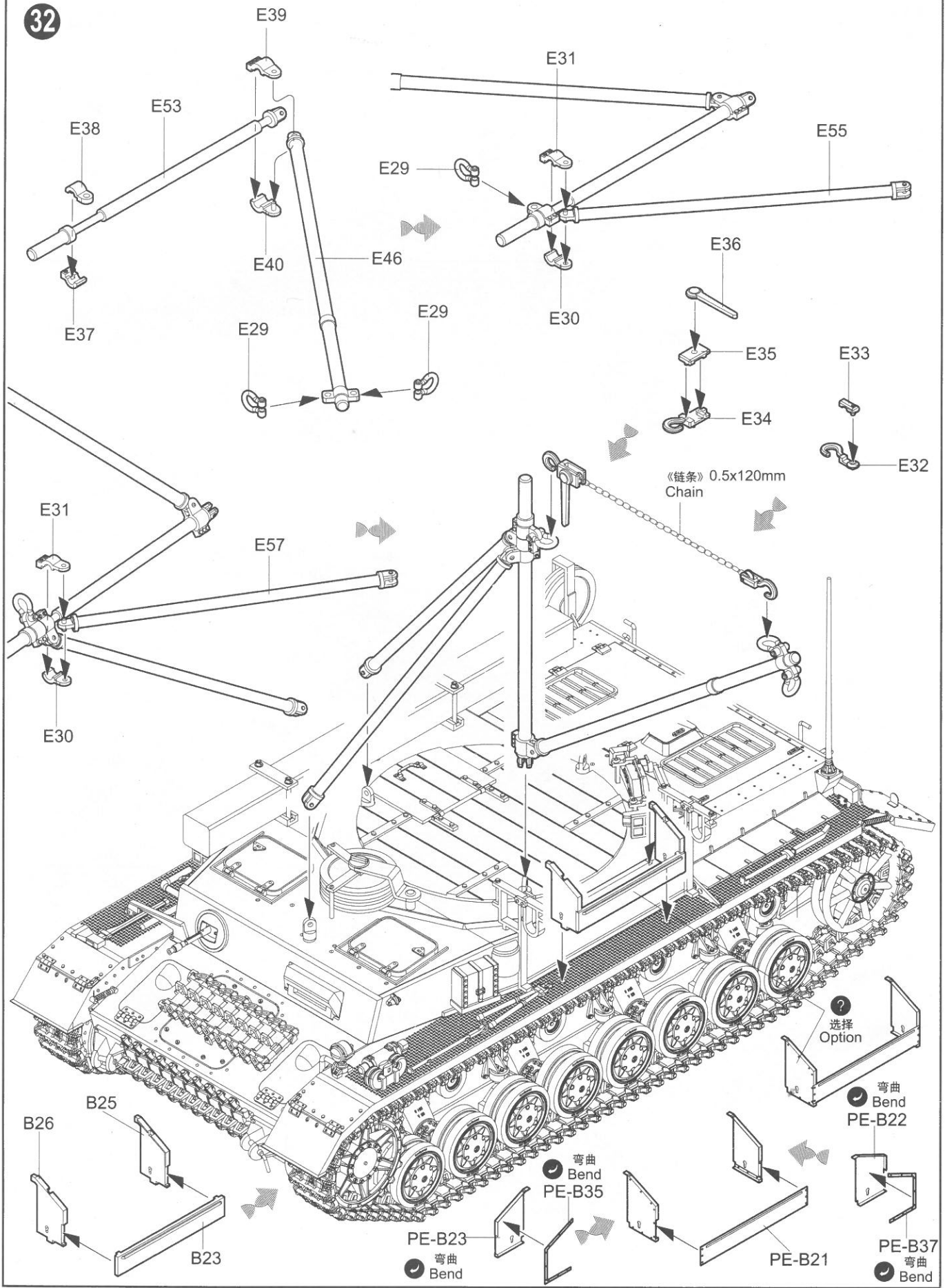


30

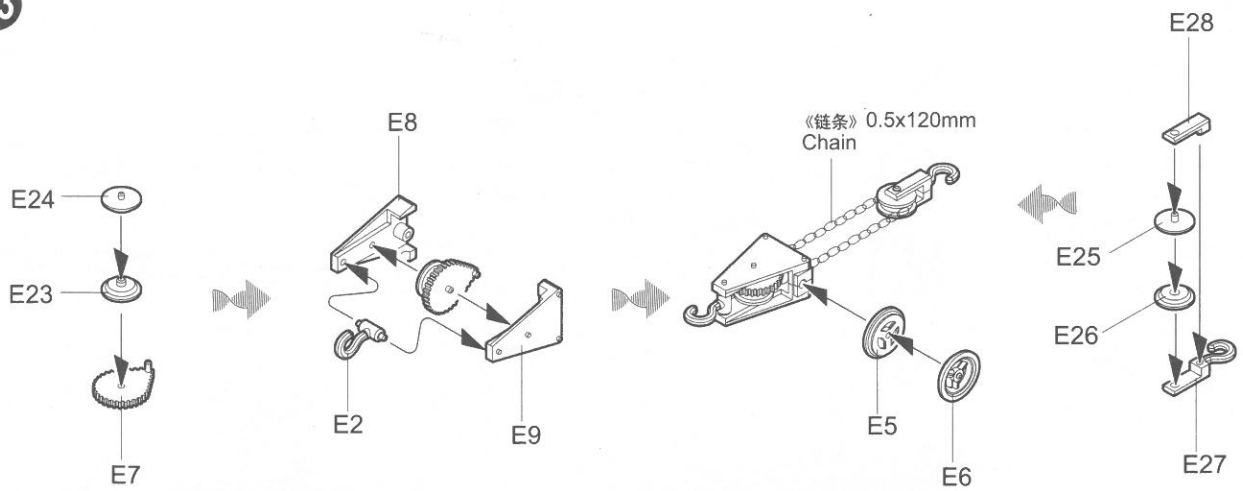




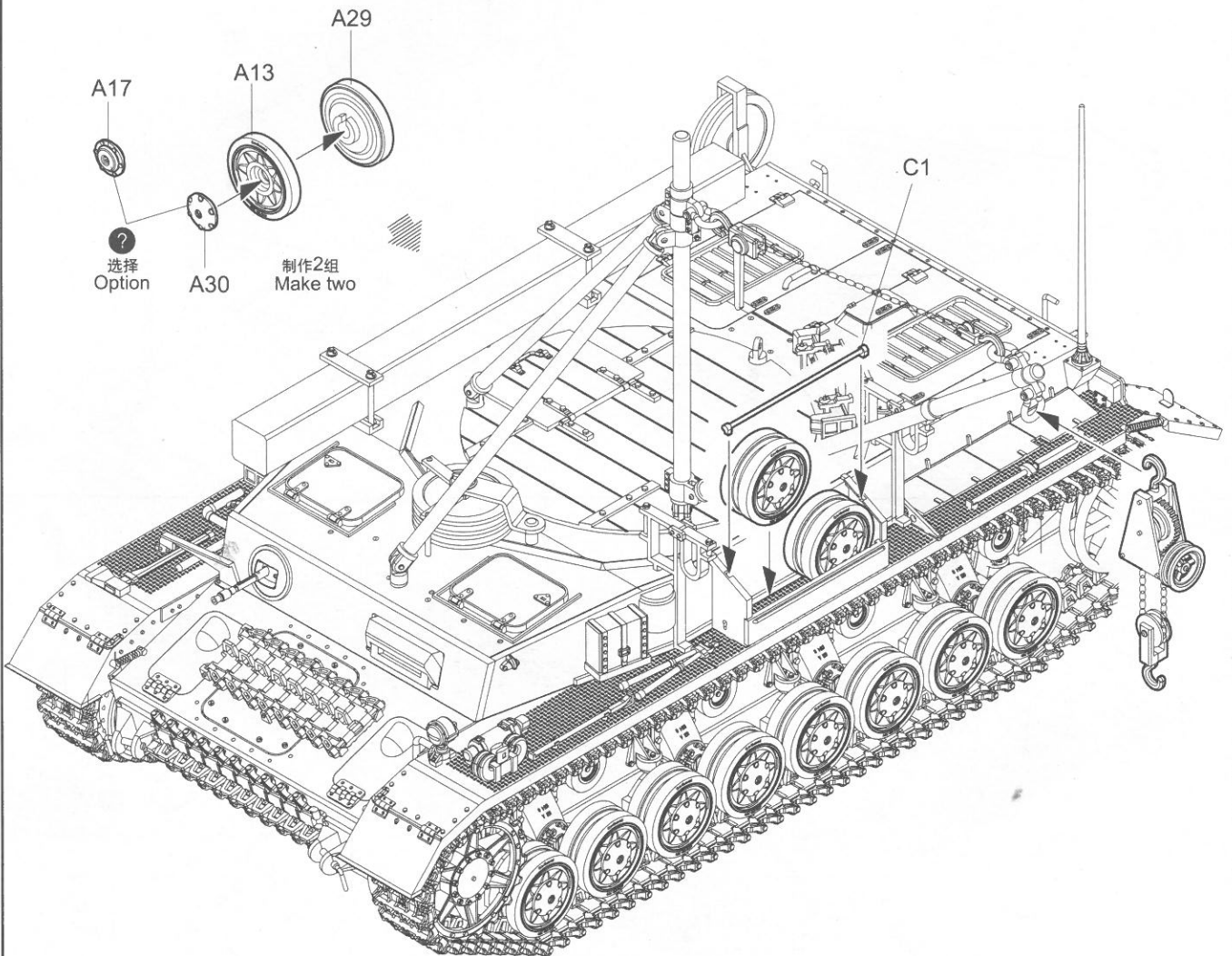
32



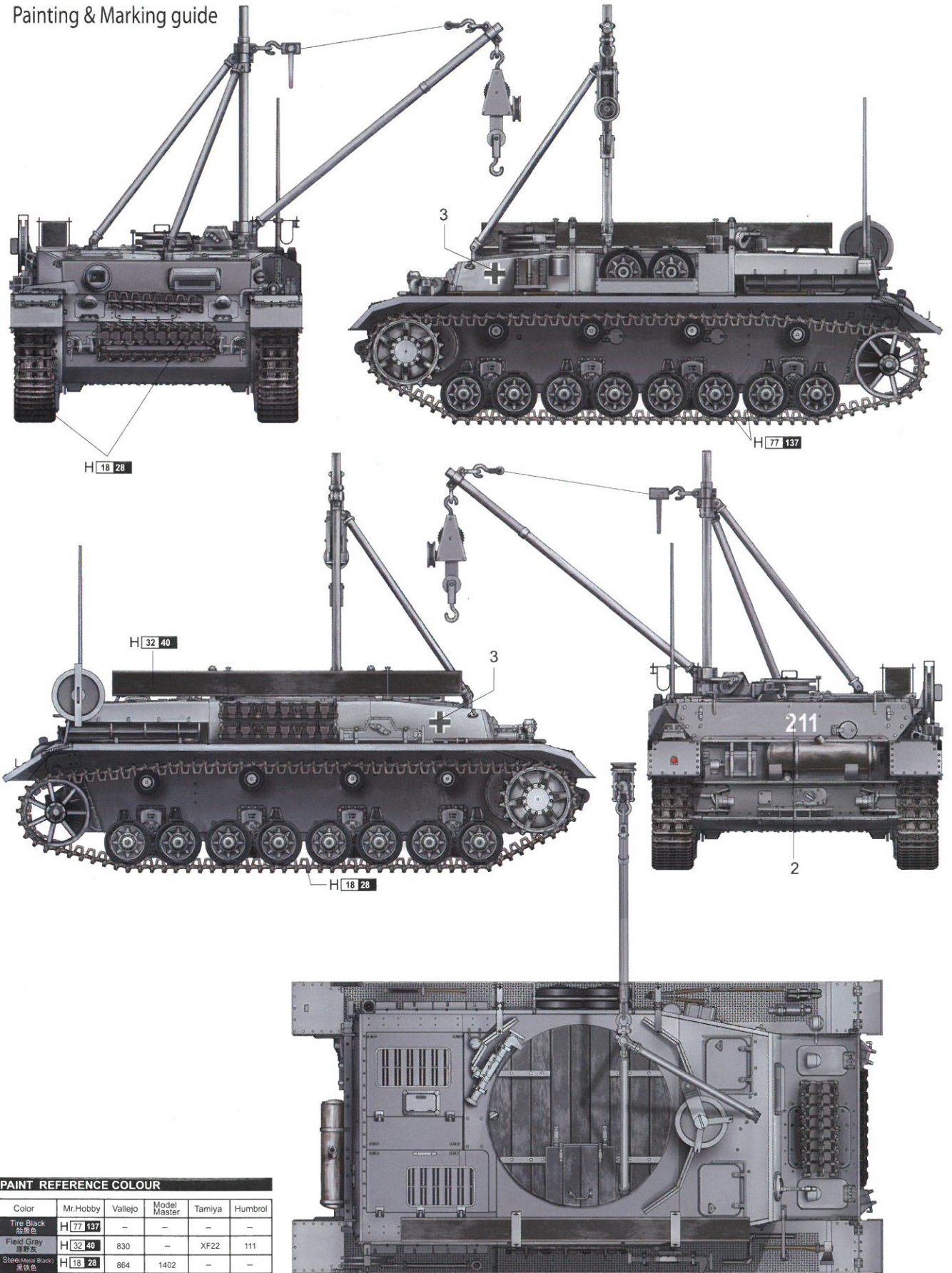
33



34



涂装同标贴指示
Painting & Marking guide



PAINT REFERENCE COLOUR

Color	Mr.Hobby	Vallejo	Model Master	Tamiya	Humbrol
Tire Black 胎黑色	H[77] 137	-	-	-	-
Field Gray 原野灰	H[32] 40	830	-	XF22	111
Step (Metal Black) 军铁色	H[18] 28	864	1402	-	-

H[X] AQUEOUS HOBBY COLOUR

X MR COLOUR

00389 1/35 German Bergepanzer IV