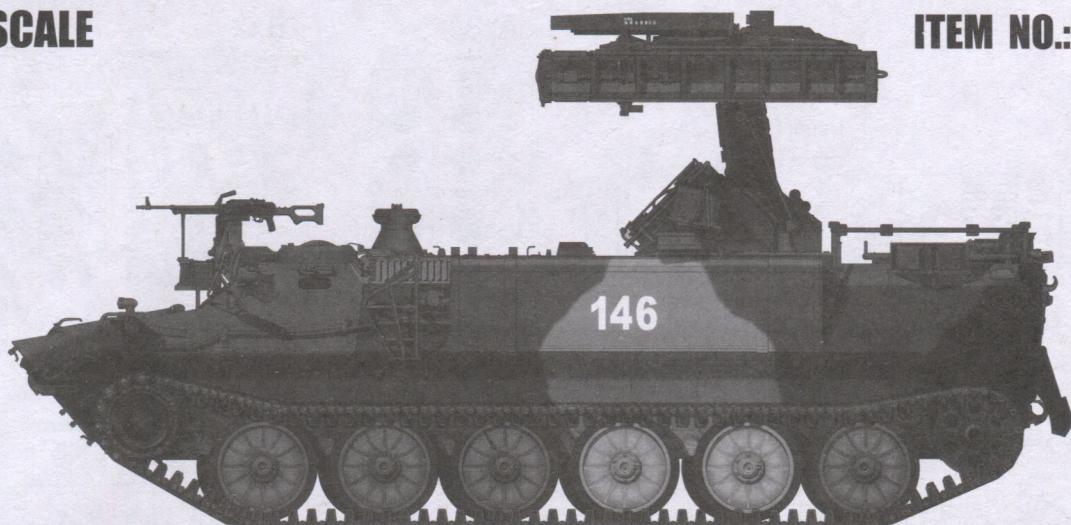


1/35 SCALE

ITEM NO.: 05554



9K35 Strela-10 SA-13 Gopher Surface-to-Air Missile System

萨姆-13 “金花鼠” 自行防空导弹系统

READ BEFORE ASSEMBLY:

- Study and understand these instructions thoroughly before beginning assembly
- When needed, remove photo-etch parts carefully using a modeling knife or photo etch sprue cutter, being careful not to damage or lose small parts.
- Take extra care in handling photo etch parts in order to avoid injury
- Apply instant cement sparingly to photo etch parts where instructed
- Tools recommended(not included in kit):Plastic and instant cements, sprue cutters,long nose pliers,modeling knife, small files, tweezers, pin vise & scissors. Soft cloth and sandpaper will also assist in construction
- Glue and paint are not included in the kit. Use plastic cement and hobby paints only. Color guide for purchasing paint is included in the kit.

装配之前仔细阅读

- 小心用模型锉刀锉平所有零件表面的注射浇口。
- 小心用刀片切下蚀刻片零件，不要遗失小零件。
- 用强力快干胶水粘合蚀刻片零件和金属轴。过量快干胶水使用可能导致可动零件会粘住，小心涂胶。
- 取蚀刻片时应特别注意安全，防止利边划伤手指。
- 某些零件表面需贴上水贴纸，请选择在装配的同时进行。
- 推荐模型工具(自备)：胶水，水口剪刀，长咀钳，刀片，锉刀，镊子，钳，钻，剪刀，瞬间快干胶。
- 软布同砂纸同时也应该是必备工具。
- 请使用塑料胶水和油漆，模型内不含。



配重
Weight



使用强力胶
Cyanoacrylate glue



钻孔
Make hole



切除
Cut / Remove



贴纸
Decal



锉平
File / Sand



选择
Option



不涂胶水
No cement



弯曲
Bend



先装
Install it first

水贴纸的使用:

- 1.从水贴上剪下印花;
- 2.将印花放入温水中浸10秒, 然后放在干净布上。
- 3.拿着印花纸板将印花移到模型上;
- 4.手指蘸水将印花移到适当的位置;
- 5.用软布轻压印花直至水干, 气泡消失

DECAL APPLICATION

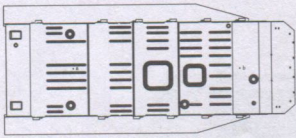
- 1.Cut decals from sheet as needed
- 2.Dip the decal in warm water for about 10 seconds and then place on soft clean cloth.
- 3.Hold the decal backing sheet edge and gently slide the decal onto the model in its proper position.

- 4.While still wet,decal can be adjusted for better fit on model by dampening it gently with your finger.
- 5.When placed in the proper position,gently press decal down with a soft cloth until excess water and air bubbles are gone.
- 6.Allow decal to dry completely before handling model

部品图 Parts

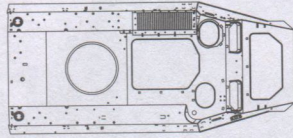
《车底》

Lower hull

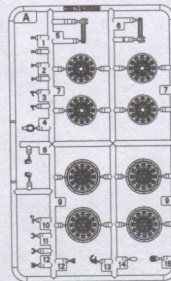


《车面》

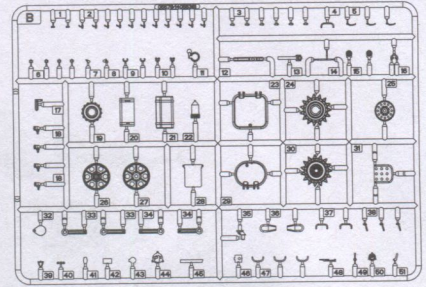
Upper hull



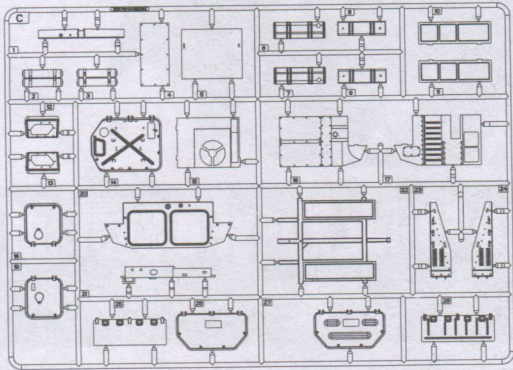
Ax3



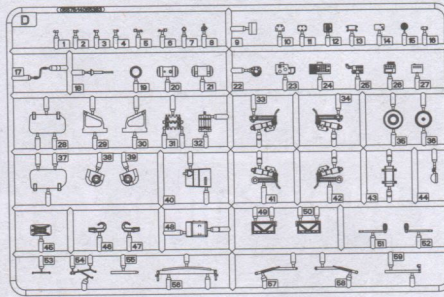
Bx2



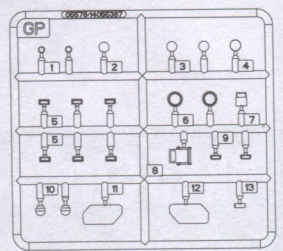
C



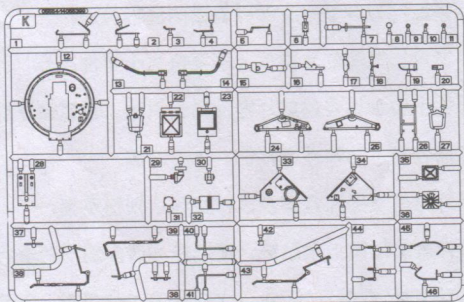
D



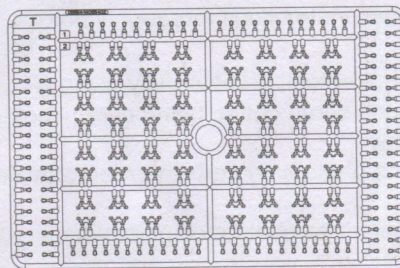
GP



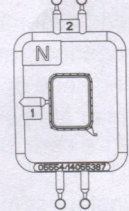
K



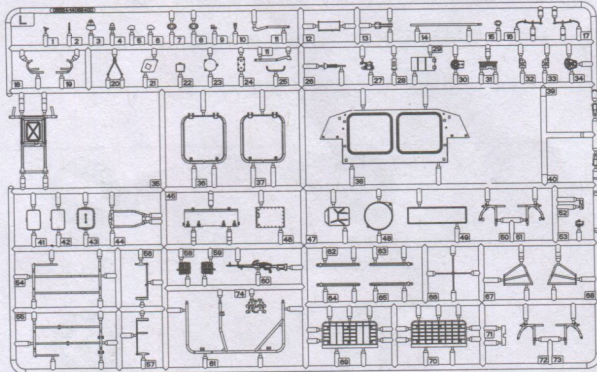
Tx4



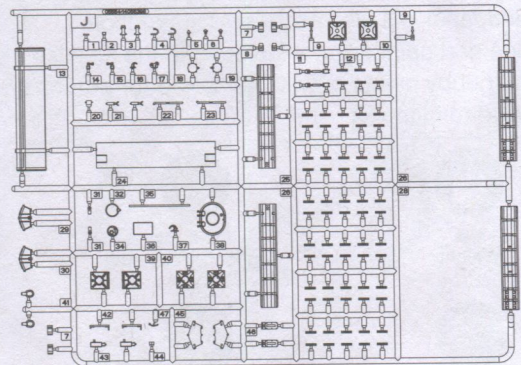
N



L

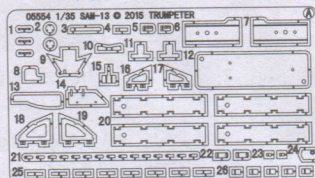


Jx2



《蚀刻片》-A

PE A



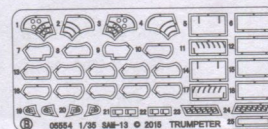
《铜缆》 Ø0.8

Brass wire



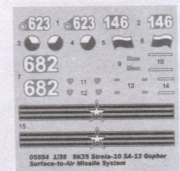
《蚀刻片》-B

PE B



《水贴》

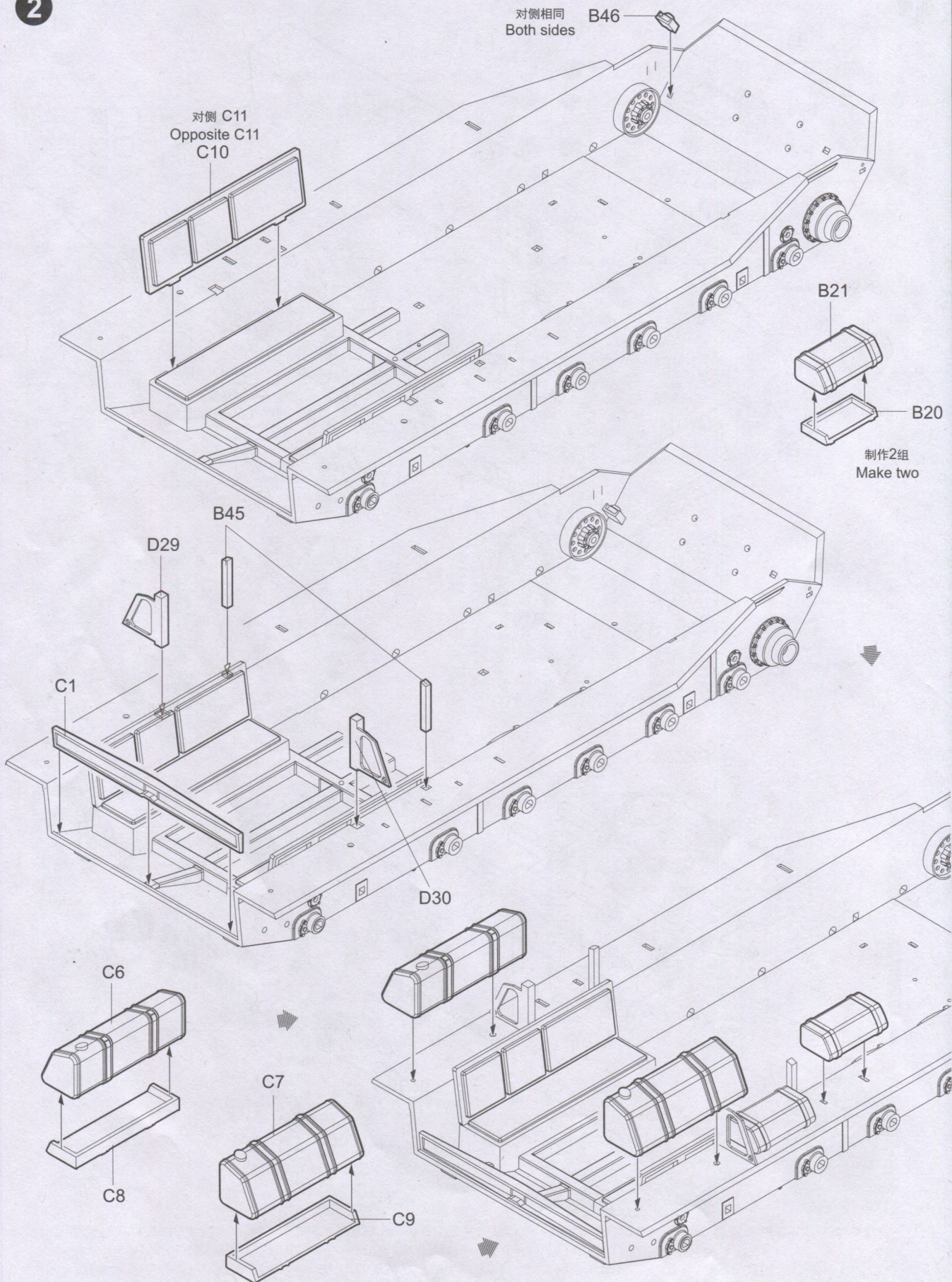
Decal



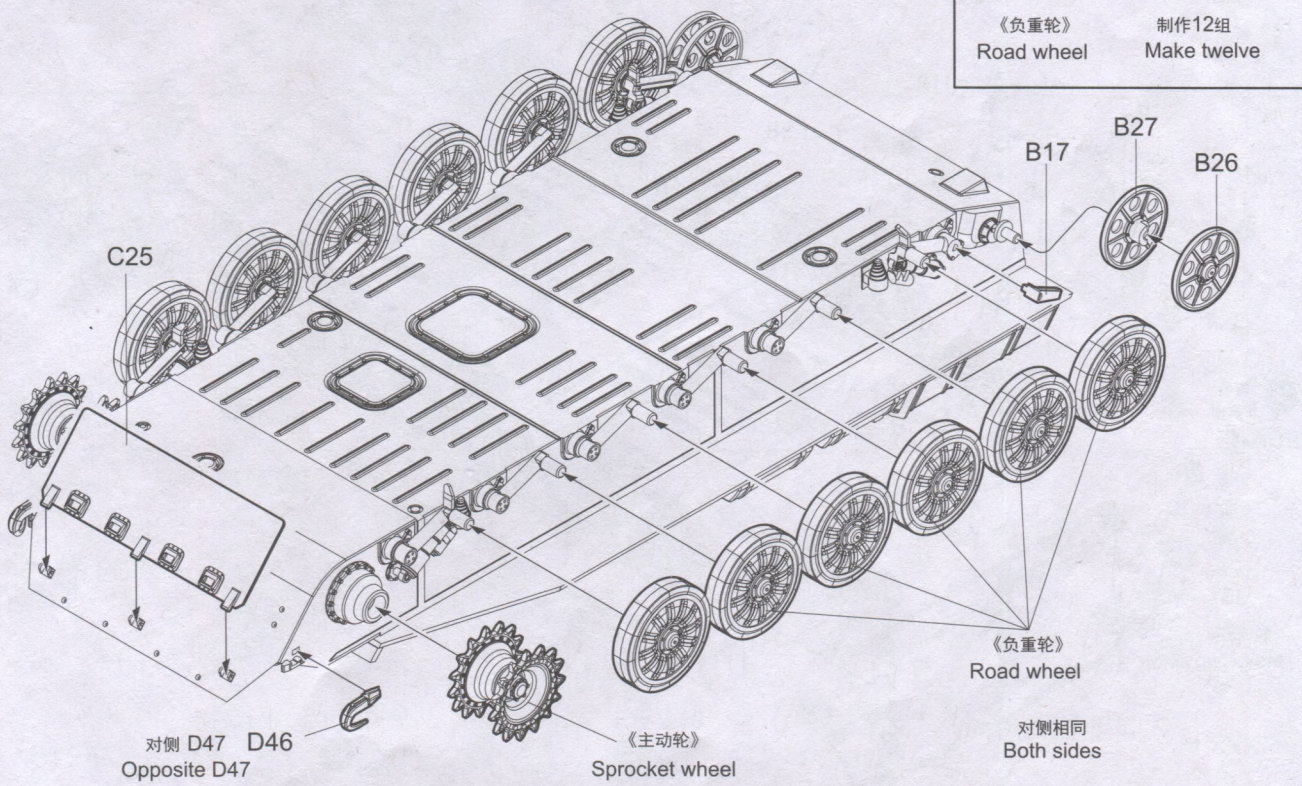
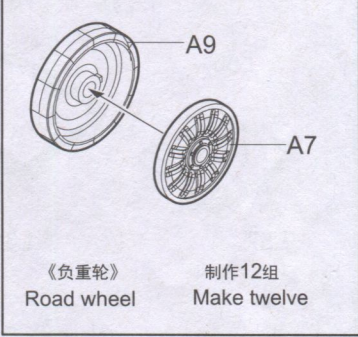
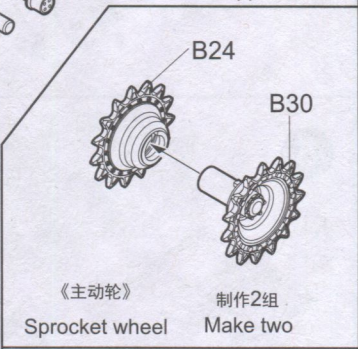
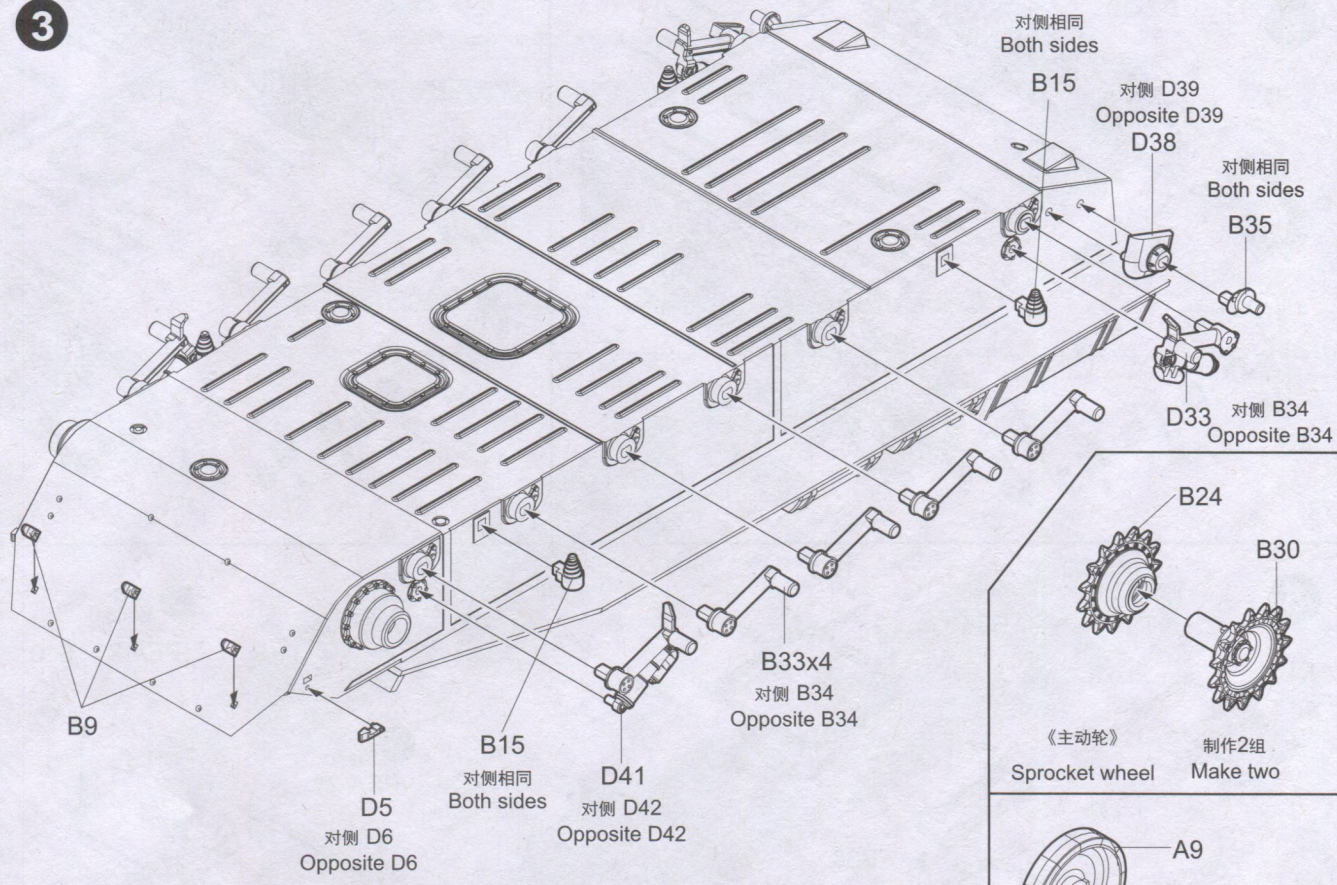
不用部件: A1-A6,A8,A10-A15,B4,B12-14,B16,B22,B23,B29,B32,B36,B39,B40,B44,B49,B50,C15,C2-5,C15-21,C27,C28,D7-18,D20-27,D31,C27,C28,D7-18,D20-27,D31,D40,D44,D48,D51,D52,J32,J34,GP6-8,GP10,GP13

Unused parts: A1-A6,A8,A10-A15,B4,B12-14,B16,B22,B23,B29,B32,B36,B39,B40,B44,B49,B50,C15,C2-5,C15-21,C27,C28,D7-18,D20-27,D31,C27,C28,D7-18,D20-27,D31,D40,D44,D48,D51,D52,J32,J34,GP6-8,GP10,GP13

2

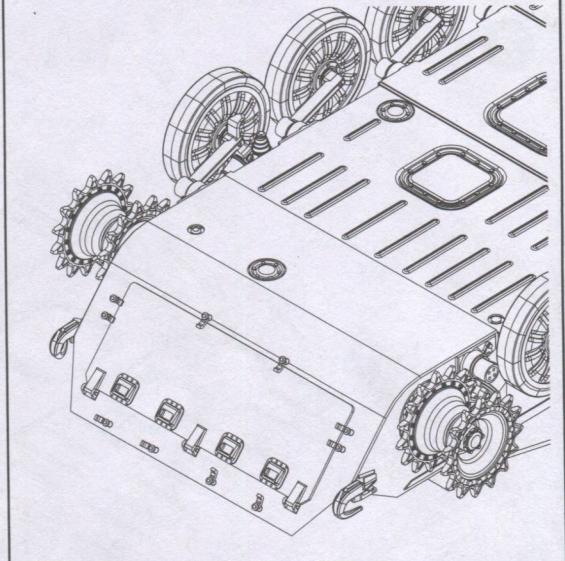
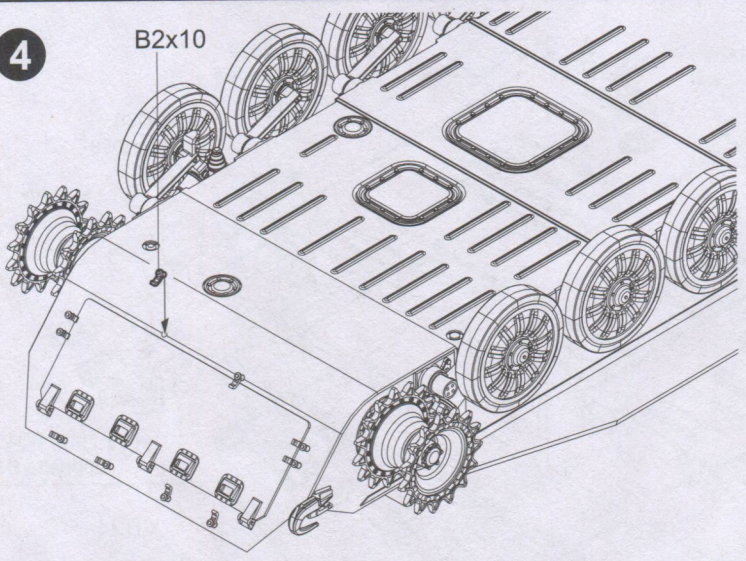


3

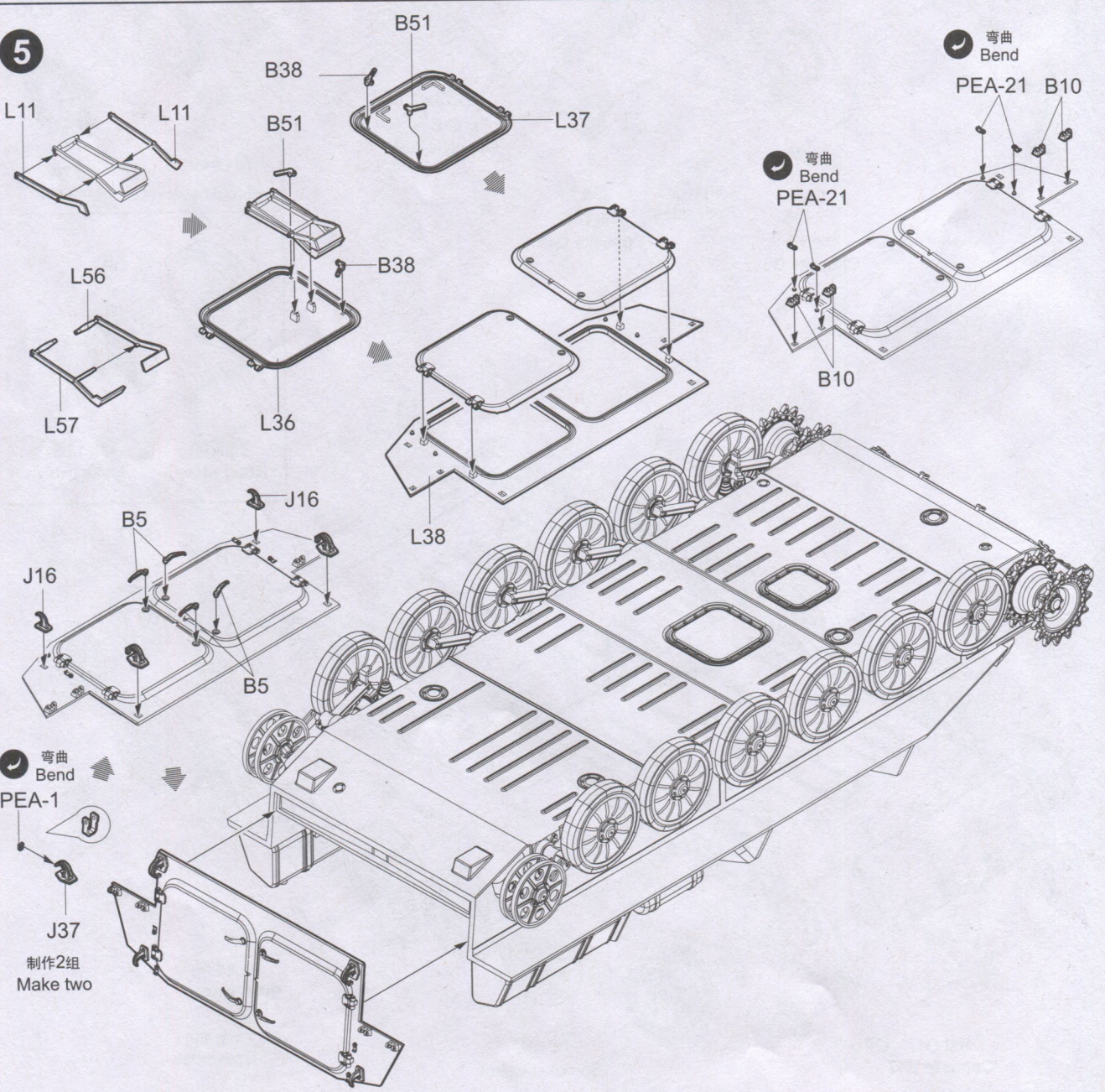


4

B2x10



5

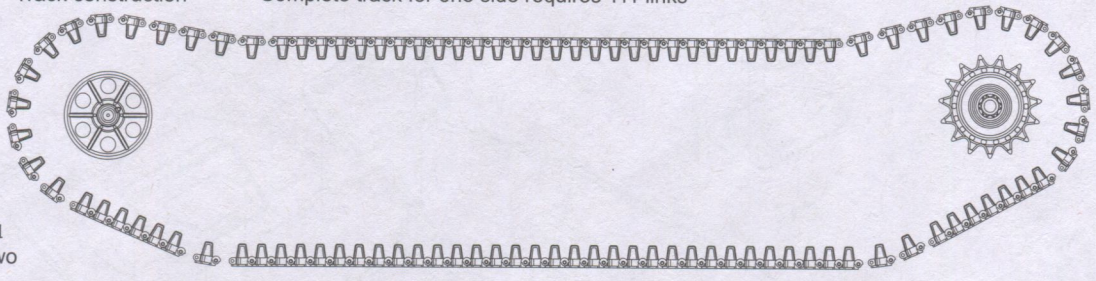


6

履带联接
Track construction

单侧履带需111节
Complete track for one side requires 111 links

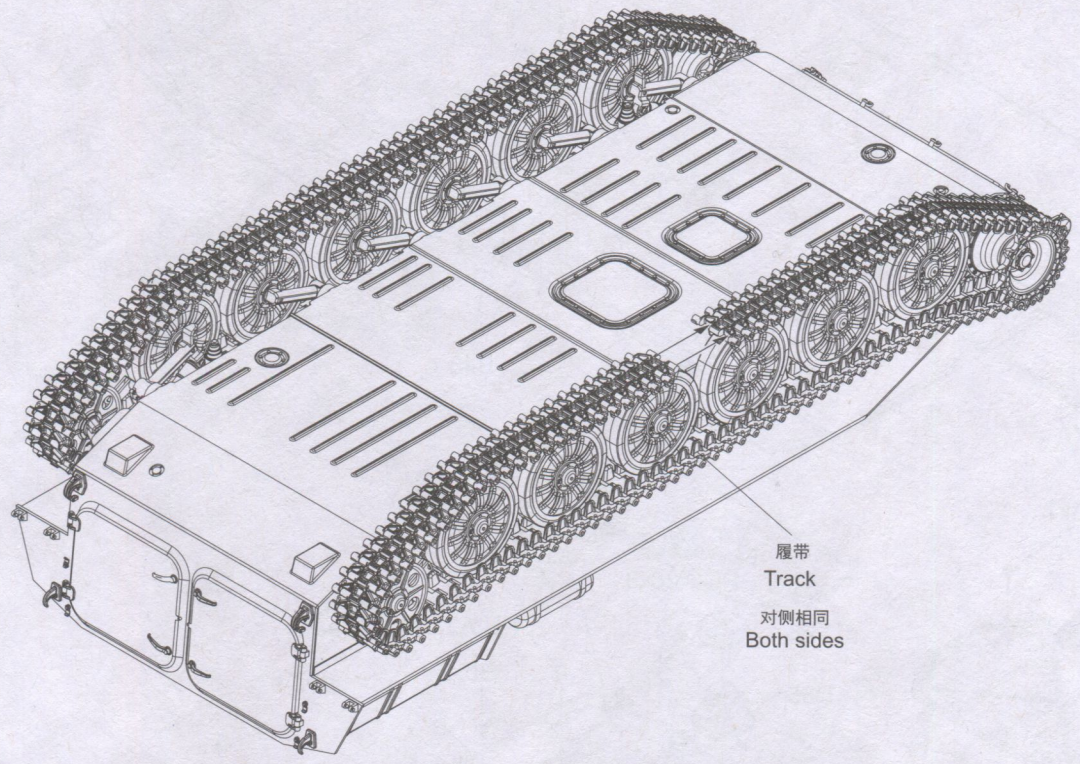
T1x2



制作2组
Make two

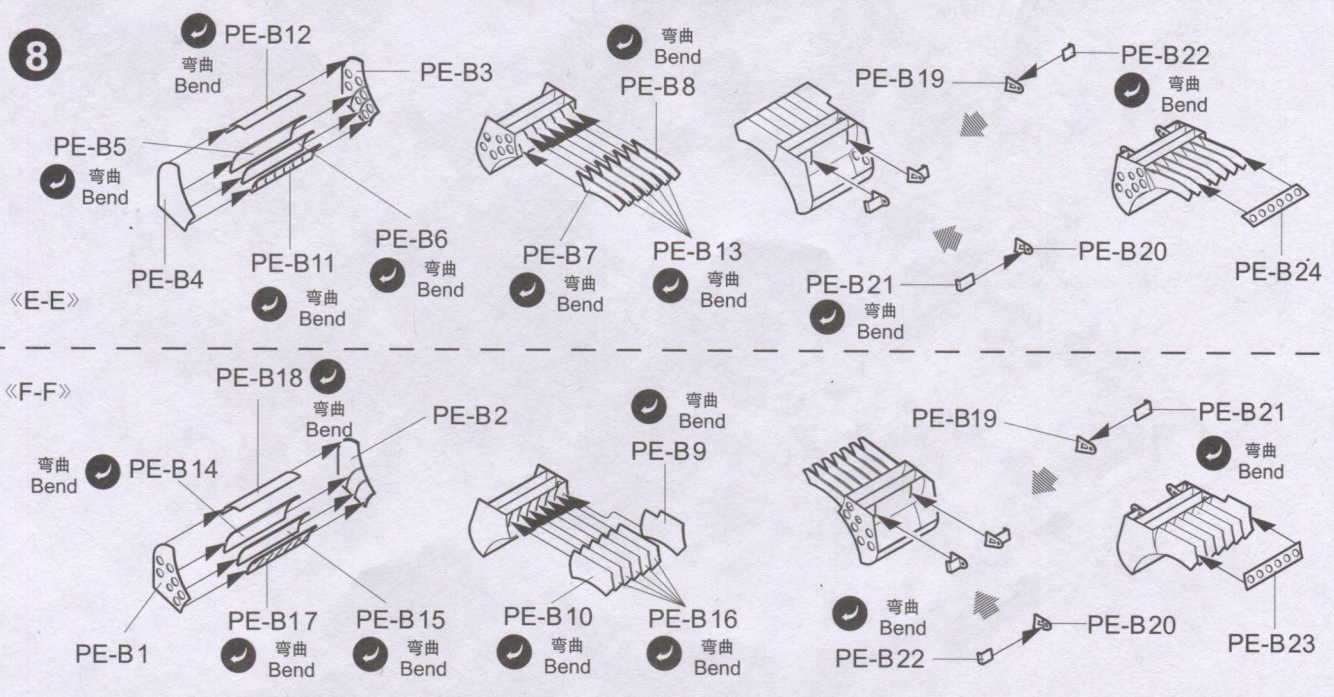
制作111组
Make 111

7

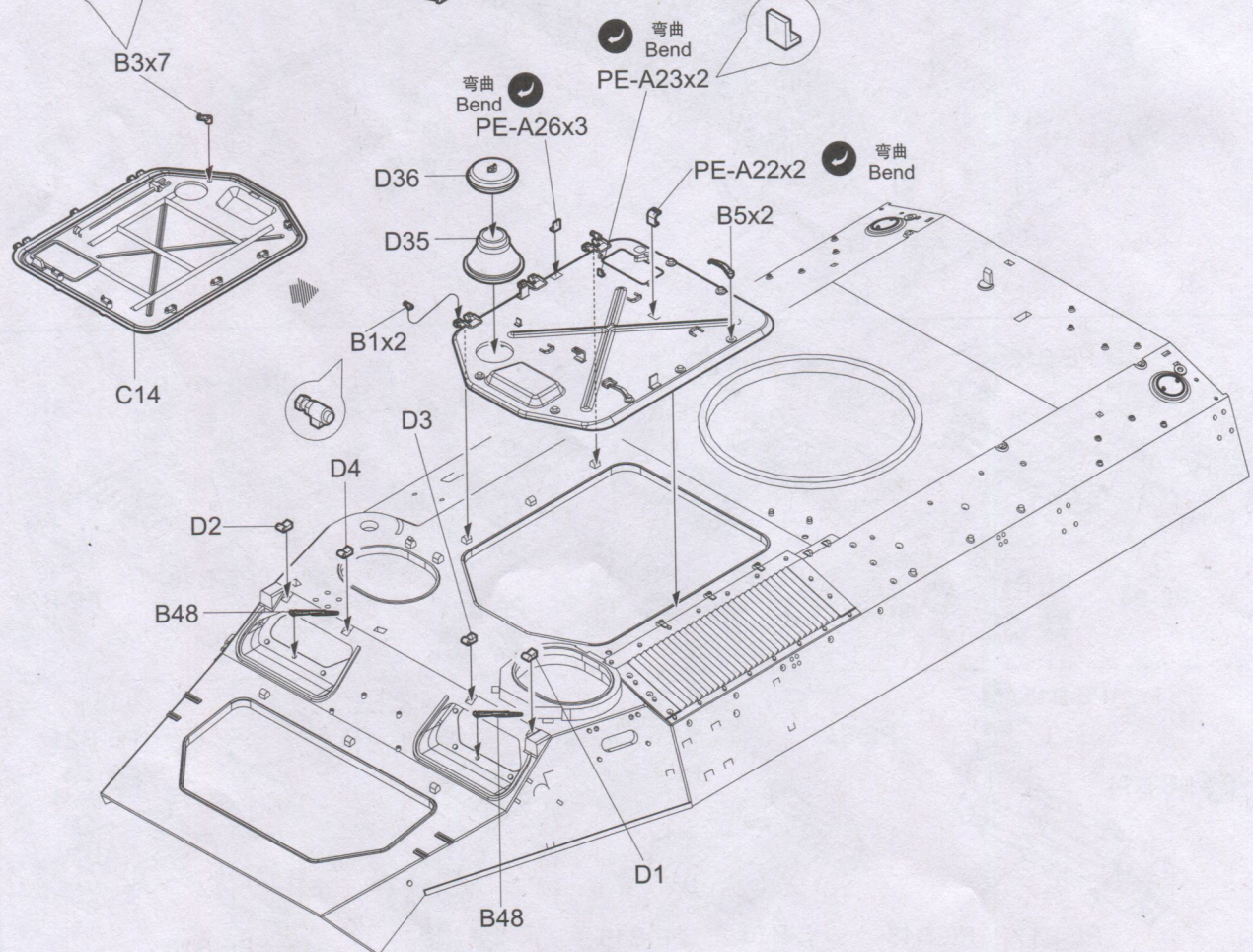
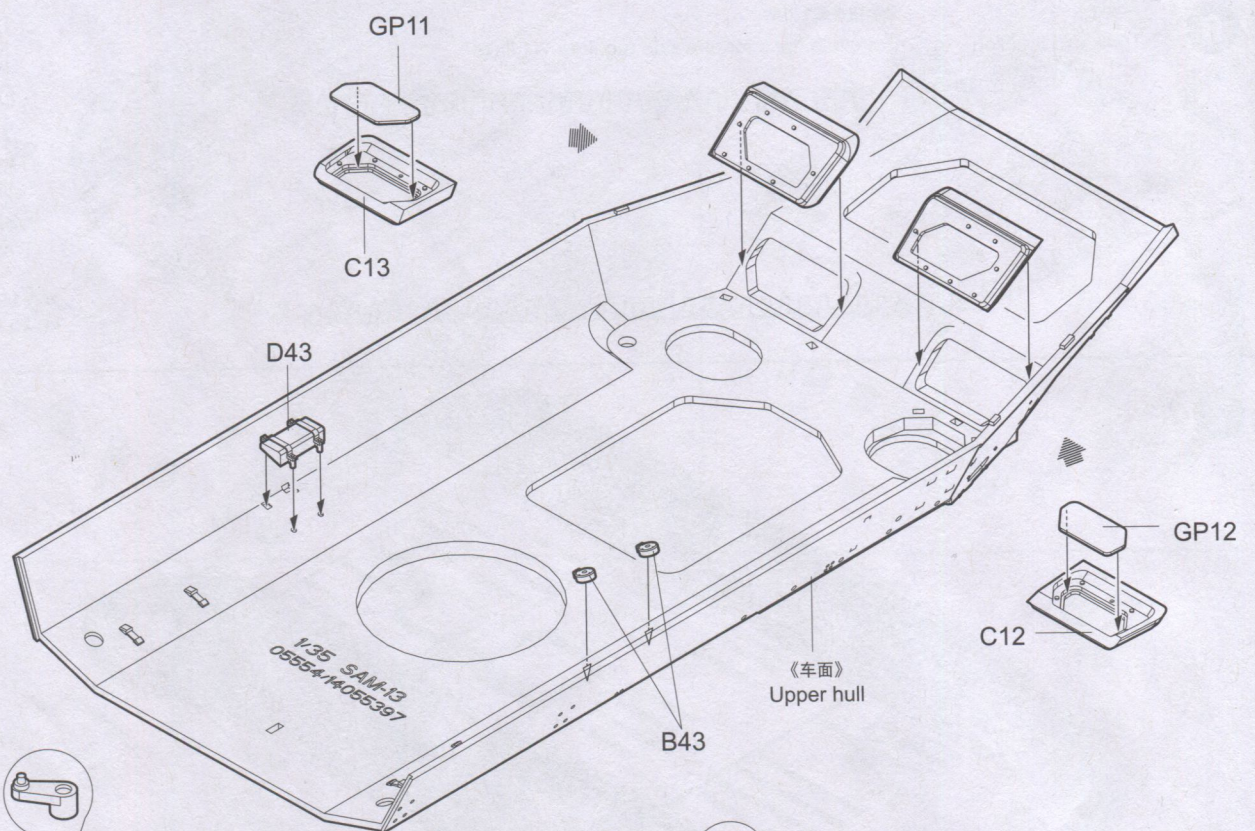


履带
Track
对侧相同
Both sides

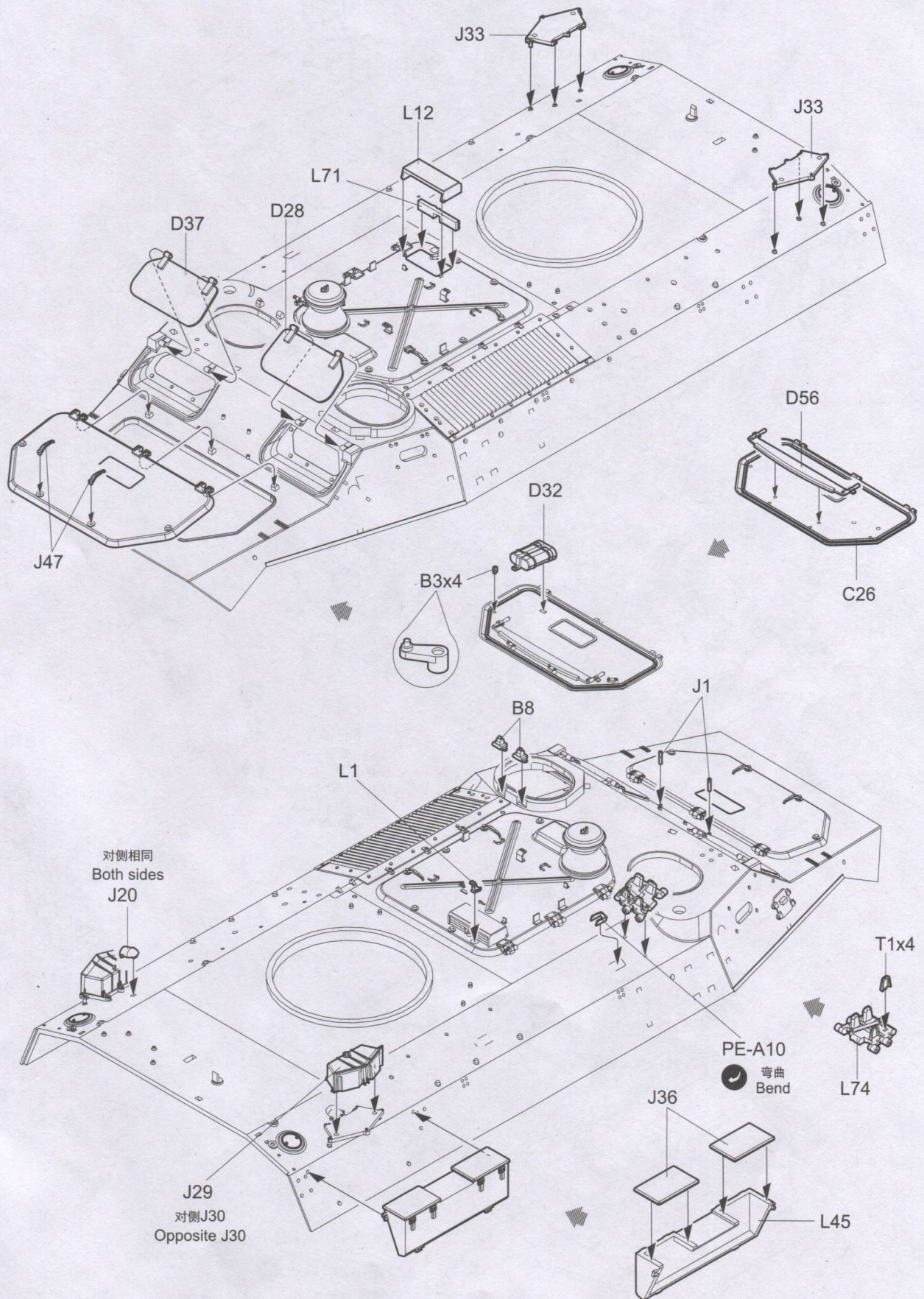
8



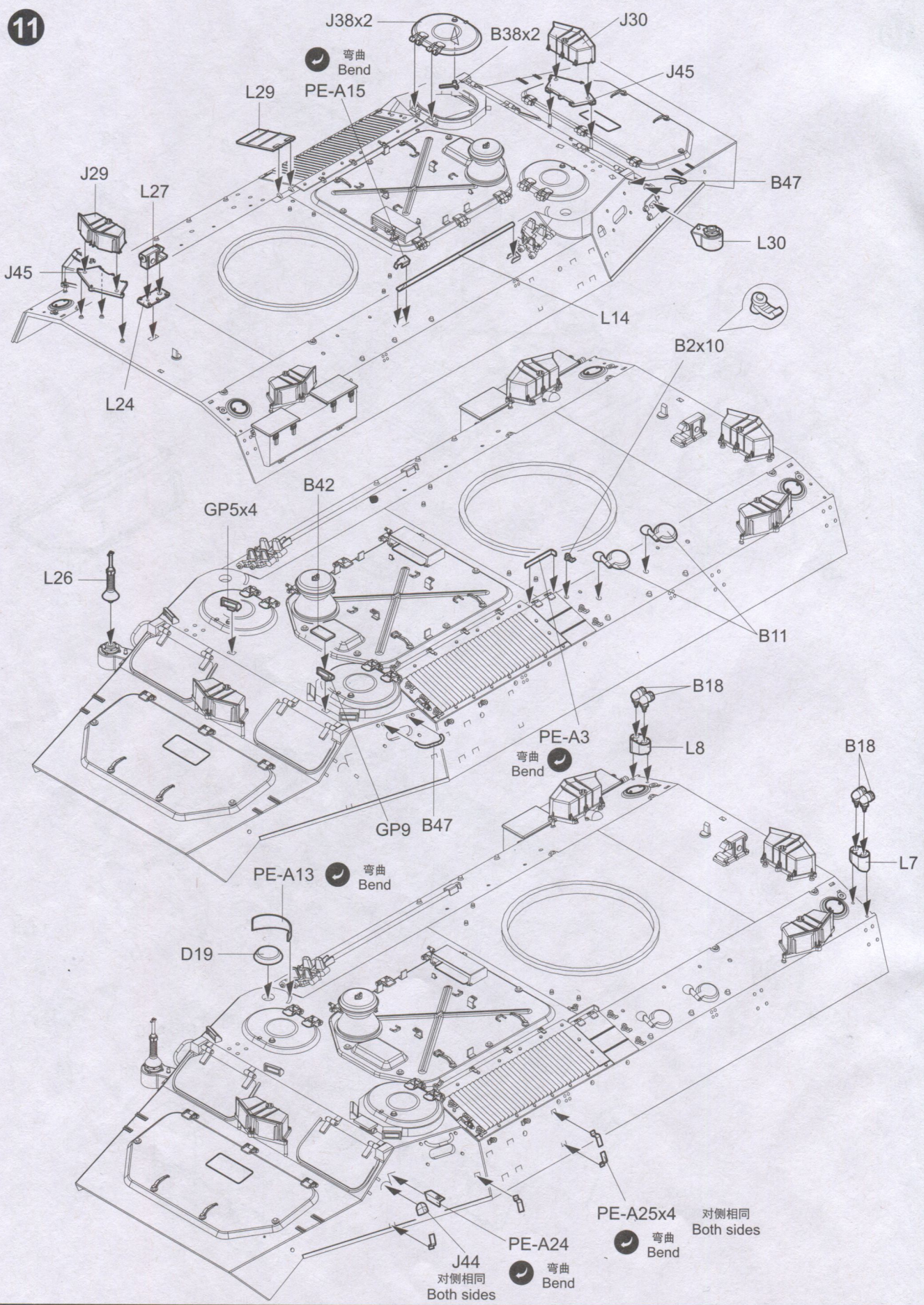
9

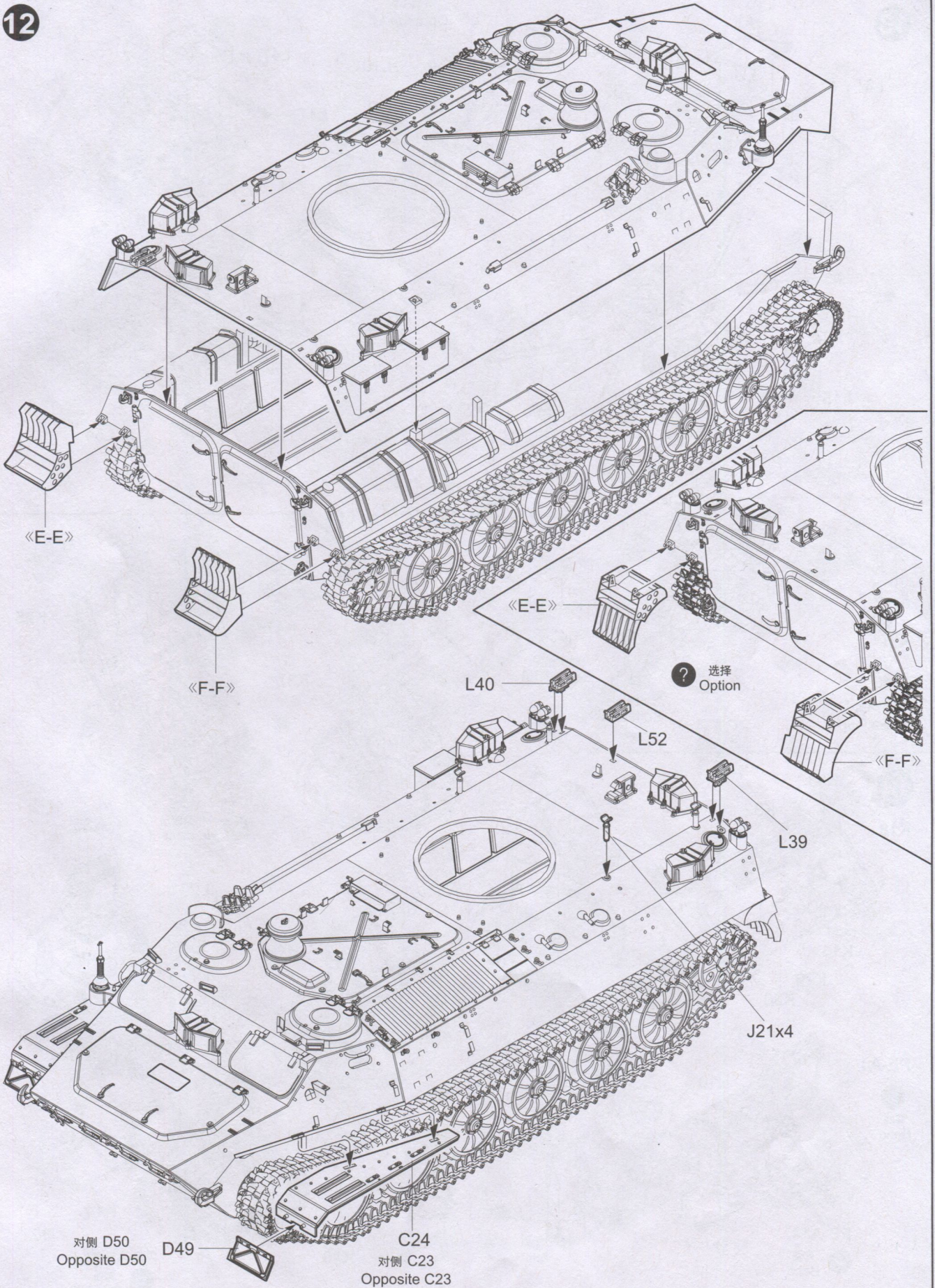


10

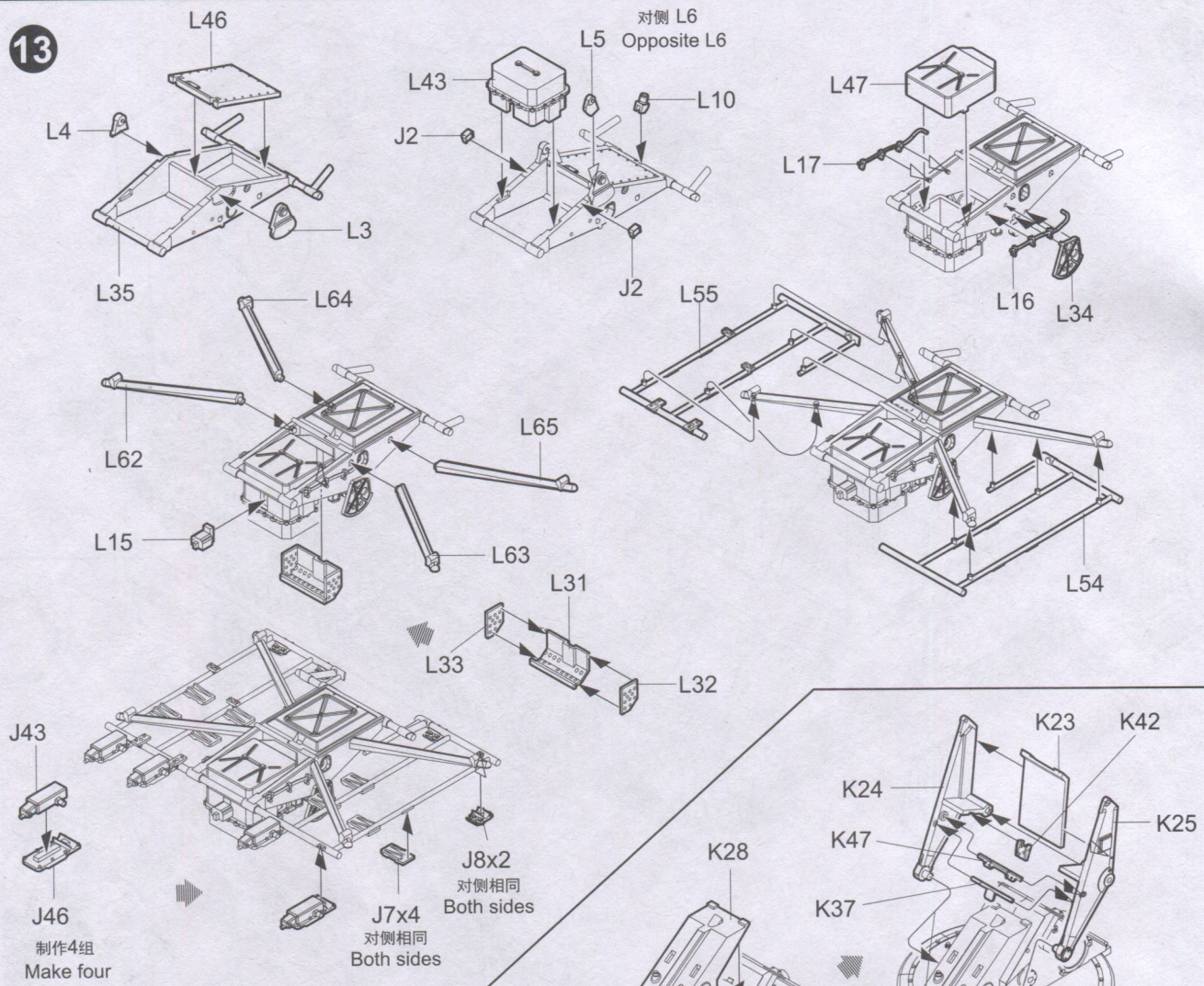


11

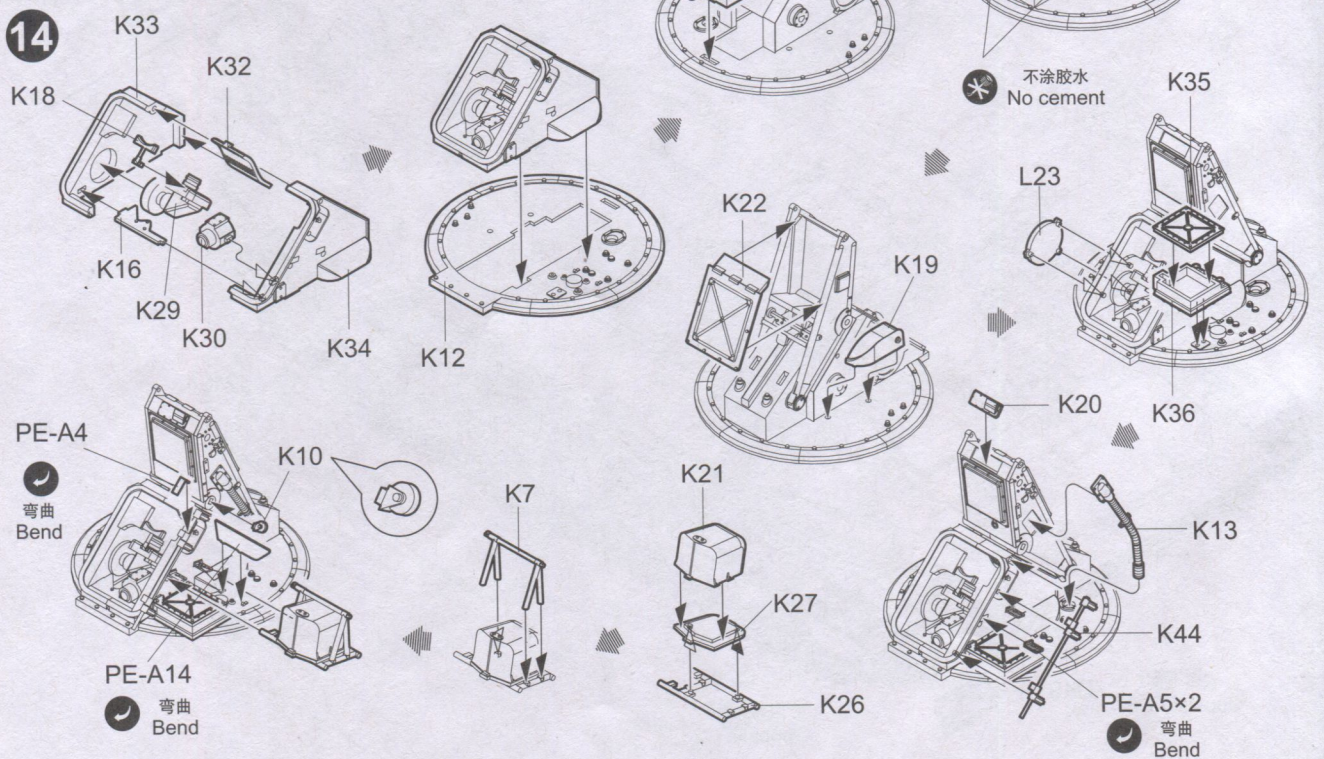




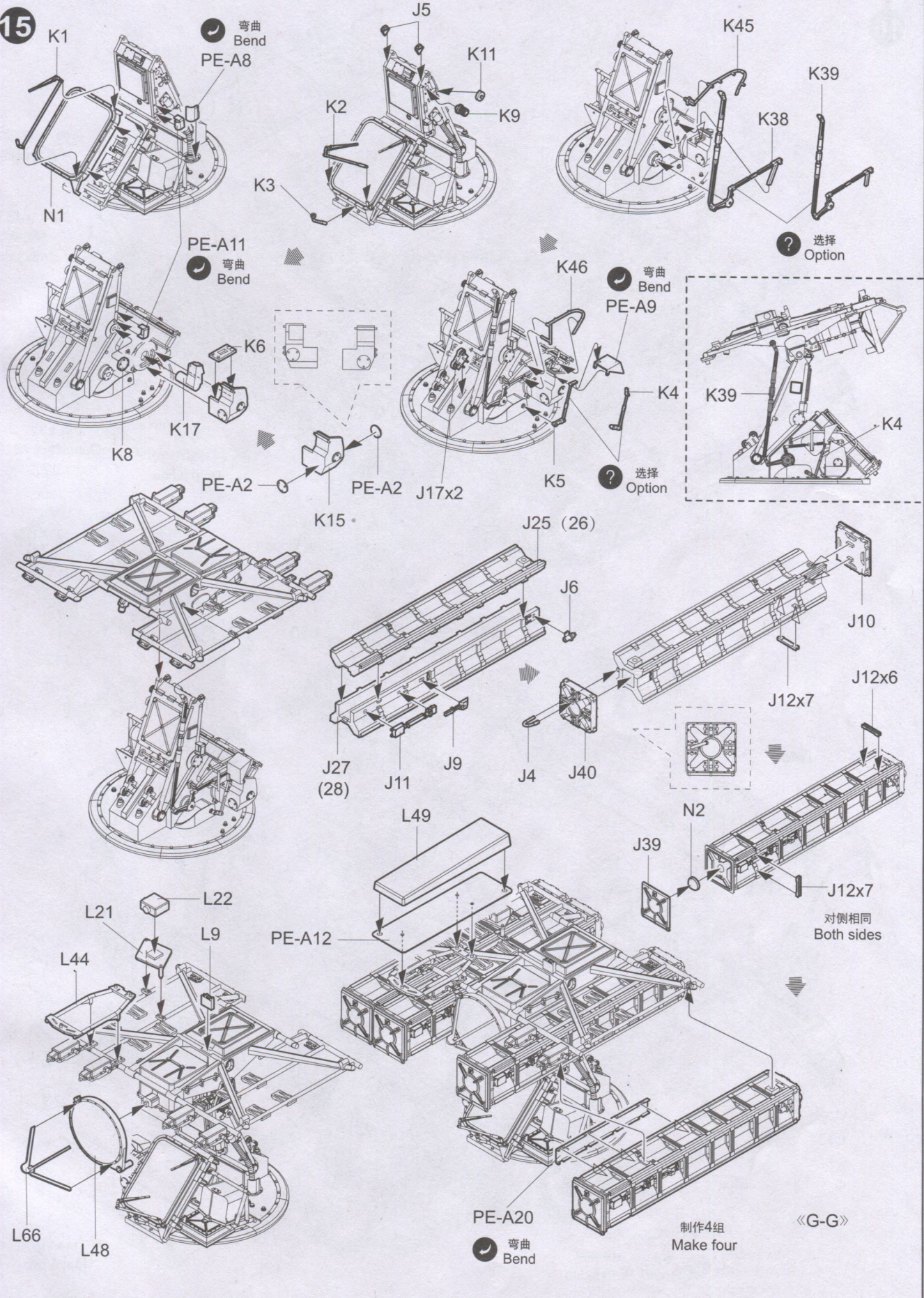
13

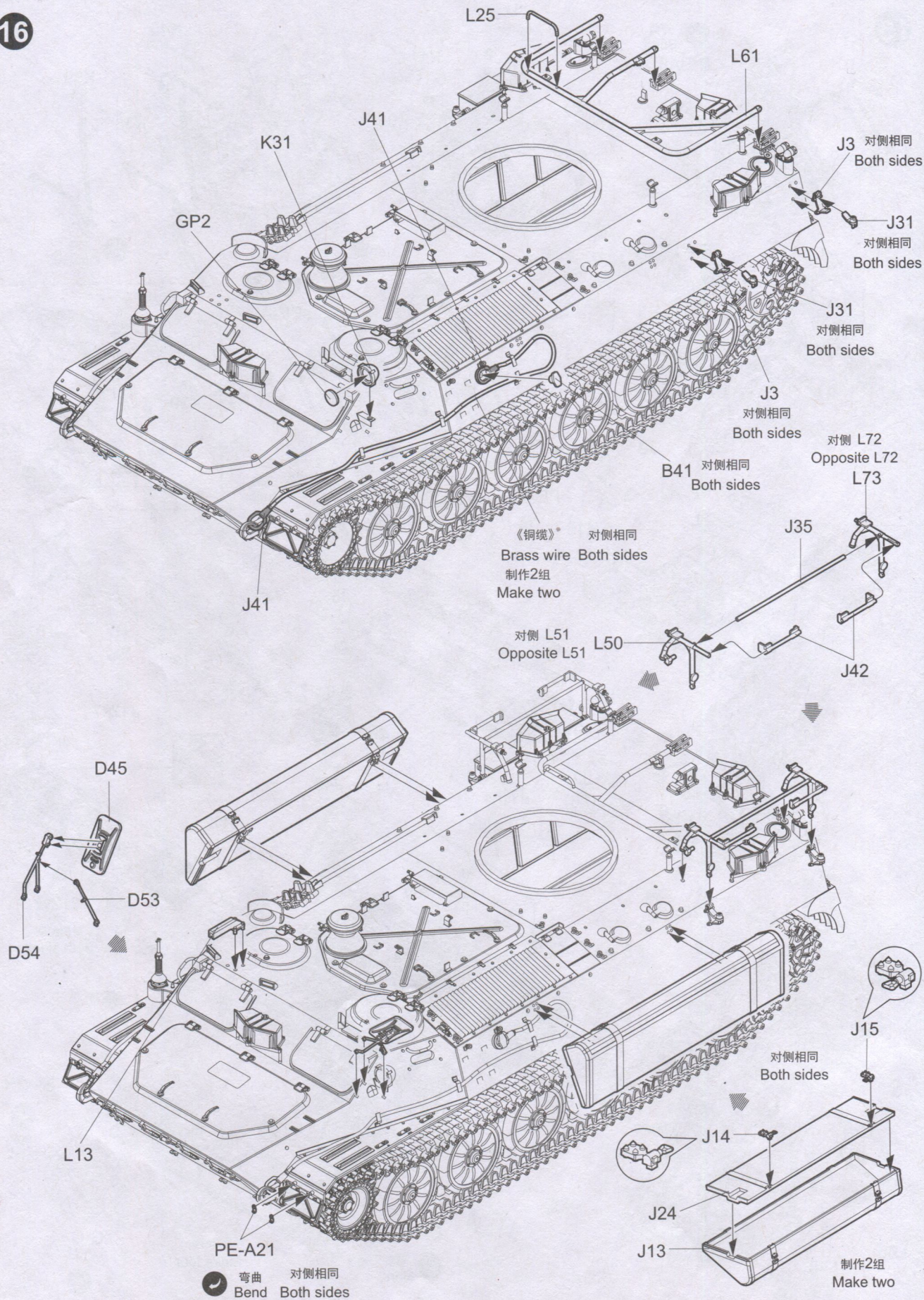


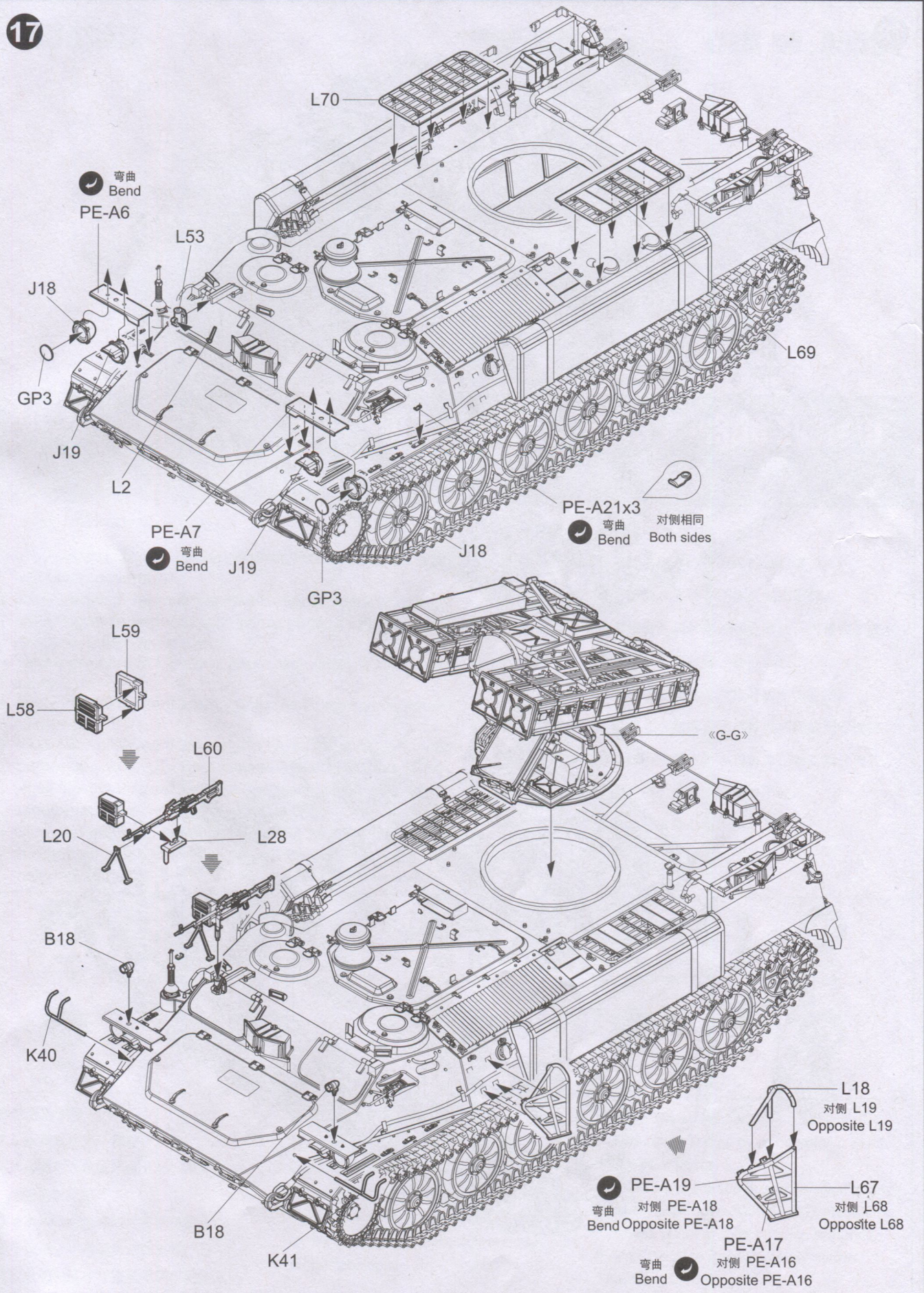
14

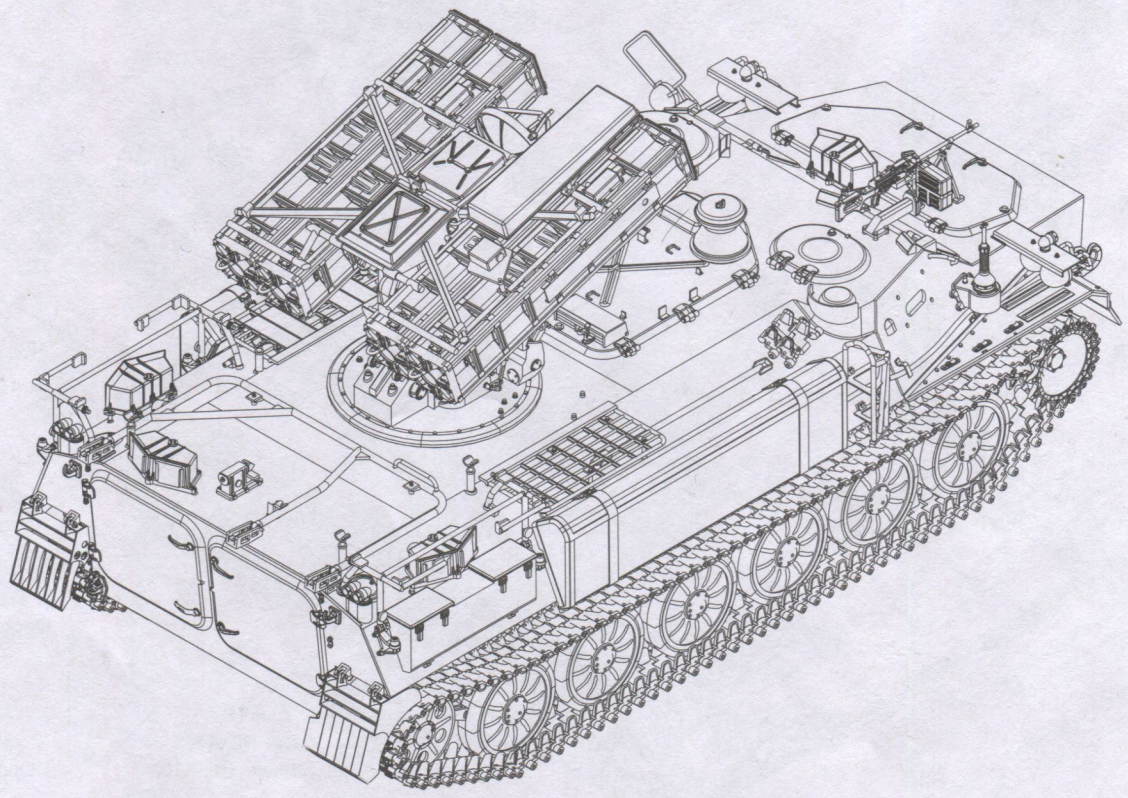
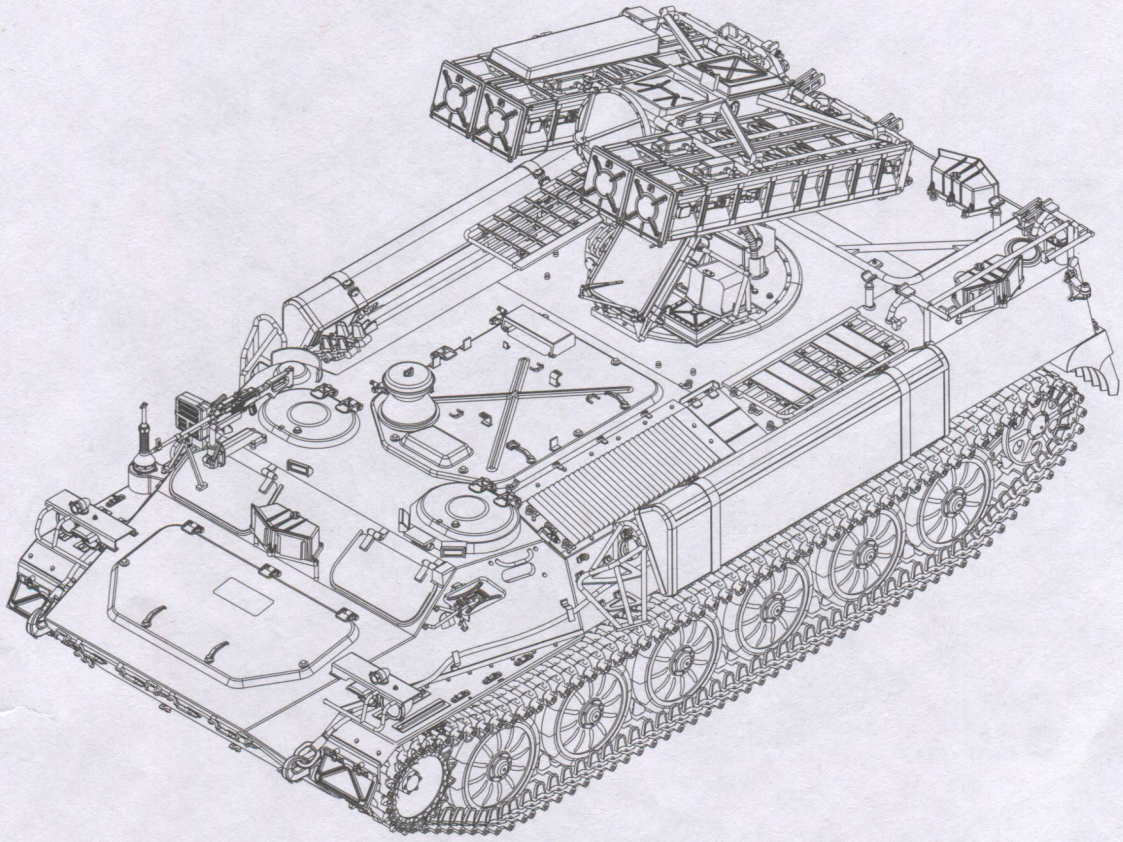


15







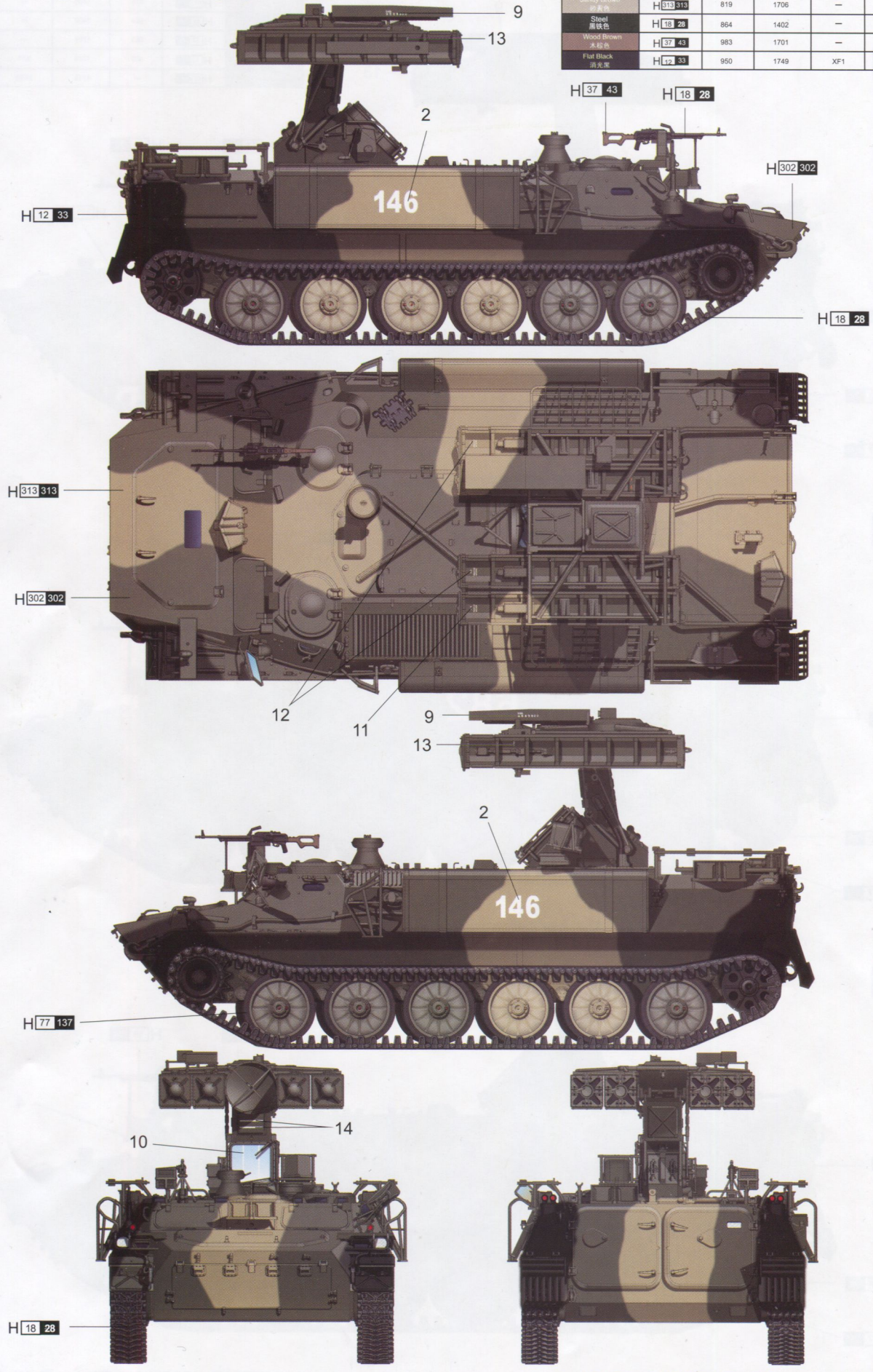


涂装同标贴指示 Painting & Marking guide

PAINT REFERENCE COLOUR

Color	Mr.Hobby	Vallejo	Model Master	Tamiya	Humbrol
Dark Green 暗绿色	H 302 302	895	1764	XF26	61
Tire Black 胎黑色	H 77 137	—	—	—	—
Sandy Brown 沙黄色	H 313 313	819	1706	—	121
Steel 钢铁色	H 18 28	864	1402	—	—
Wood Brown 木棕色	H 37 43	983	1701	—	186
Flat Black 消光黑	H 12 33	950	1749	XF1	33

A



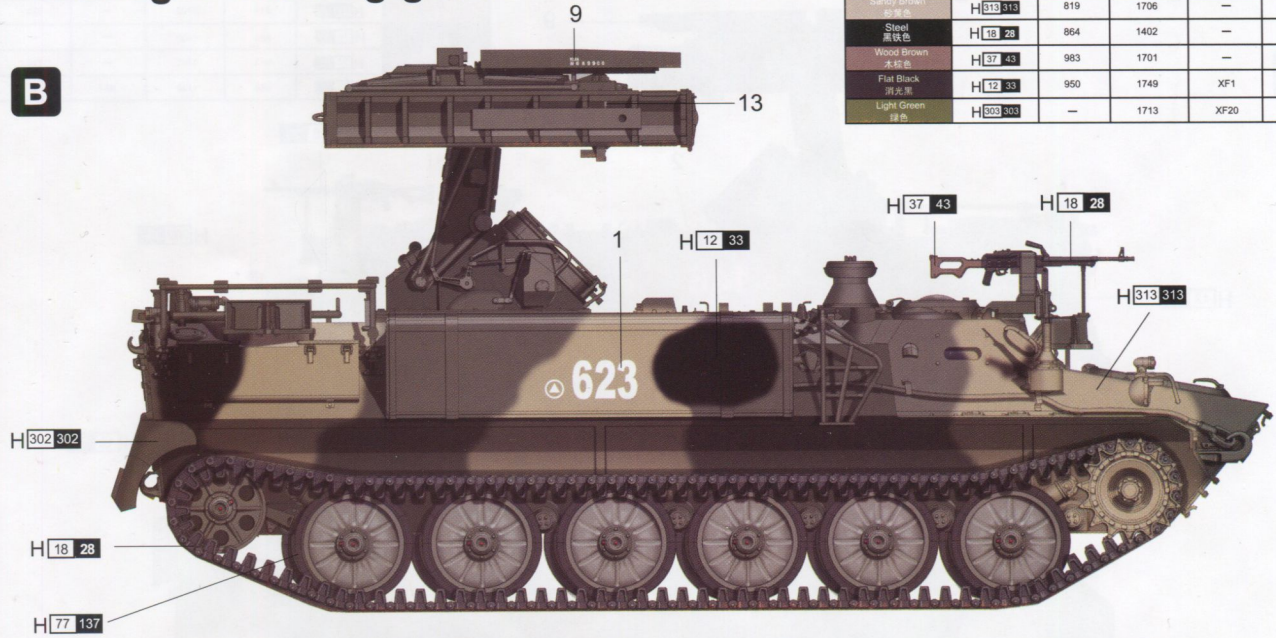
H AQUEOUS HOBBY COLOR Mr. COLOR

涂装同标贴指示 Painting & Marking guide

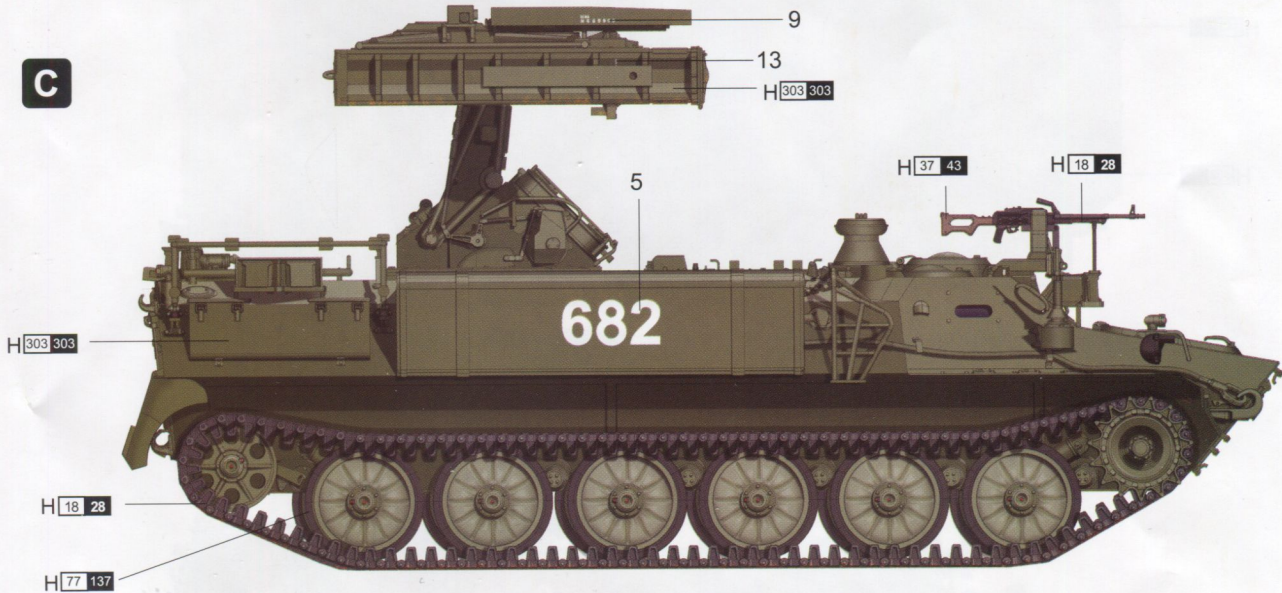
PAINT REFERENCE COLOUR

Color	Mr.Hobby	Vallejo	Model Master	Tamiya	Humbrol
Dark Green 暗绿色	H 302 302	895	1764	XF26	61
Tire Black 胎黑色	H 77 137	—	—	—	—
Sandy Brown 沙黄色	H 313 313	819	1706	—	121
Steel 灰铁色	H 18 28	864	1402	—	—
Wood Brown 木棕色	H 37 43	983	1701	—	186
Flat Black 消光黑	H 12 33	950	1749	XF1	33
Light Green 绿色	H 303 303	—	1713	XF20	117

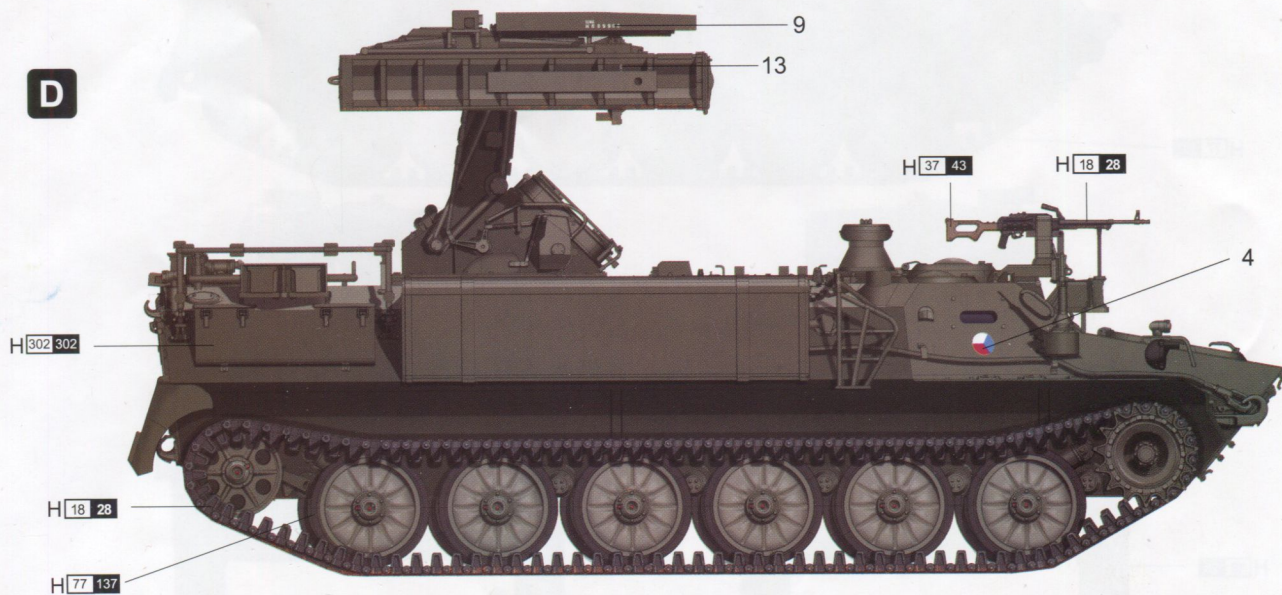
B



C



D



H AQUEOUS HOBBY COLOR Mr. COLOR