

# US M1A1 AIM MBT

## 美国M1A1 AIM主战坦克

### READ BEFORE ASSEMBLY:

- Study and understand these instructions thoroughly before beginning assembly
- When needed, remove photo-etch parts carefully using a modeling knife or photo etch sprue cutter, being careful not to damage or lose small parts.
- Take extra care in handling photo etch parts in order to avoid injury
- Apply instant cement sparingly to photo etch parts where instructed
- Tools recommended(not included in kit):Plastic and instant cements, sprue cutters,long nose pliers,modeling knife, small files, tweezers, pin vise & scissors. Soft cloth and sandpaper will also assist in construction
- Glue and paint are not included in the kit. Use plastic cement and hobby paints only. Color guide for purchasing paint is included in the kit.

### 装配之前仔细阅读

- 小心用模型锉刀锉平所有零件表面的注射浇口。
- 小心用刀片切下蚀刻片零件，不要遗失小零件。
- 用强力快干胶水粘合蚀刻片零件和金属轴。过量快干胶水使用可能导致可动零件会粘住，小心涂胶。
- 取蚀刻片时应特别注意安全，防止利边划伤手指。
- 某些零件表面需贴上水贴纸，请选择在装配的同时进行。
- 推荐模型工具(自备)：胶水，水口剪刀，长咀钳，刀片，锉刀，镊子，钳，钻，剪刀，瞬间快干胶。
- 软布同砂纸同时也应该是必备工具。
- 请使用塑料胶水和油漆，模型内不含。



配重  
Weight



使用强力胶  
Cyanoacrylate glue



钻孔  
Make hole



切除  
Cut / Remove



贴纸  
Decal



锉平  
File / Sand



选择  
Option



不涂胶水  
No cement



弯曲  
Bend



先装  
Install it first

### 水贴纸的使用:

- 1.从水贴纸上剪下印花;
- 2.将印花放入温水中浸10秒, 然后放在干净布上。
- 3.拿着印花纸板将印花移到模型上;
- 4.手指蘸水将印花移到适当的位置;
- 5.用软布轻压印花直至水干, 气泡消失

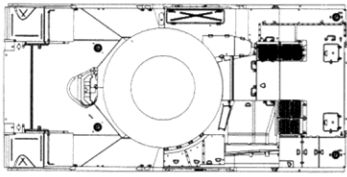
### DECAL APPLICATION

- 1.Cut decals from sheet as needed
- 2.Dip the decal in warm water for about 10 seconds and then place on soft clean cloth.
- 3.Hold the decal backing sheet edge and gently slide the decal onto the model in its proper position.

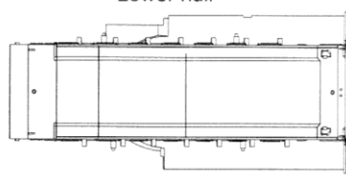
- 4.While still wet,decal can be adjusted for better fit on model by dampening it gently with your finger.
- 5.When placed in the proper position,gently press decal down with a soft cloth until excess water and air bubbles are gone.
- 6.Allow decal to dry completely before handling model

# 部品图 Parts

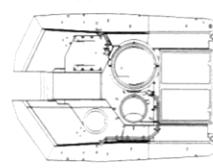
《车面》  
Upper hull



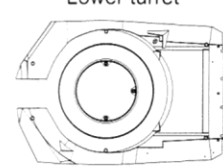
《车底》  
Lower hull



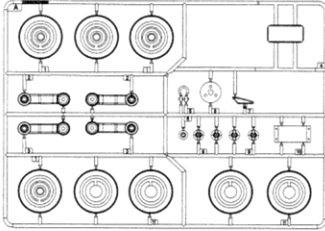
《炮塔面》  
Upper turret



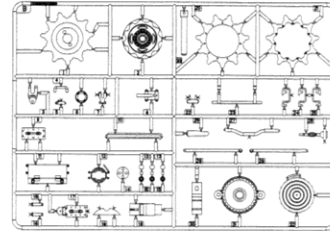
《炮塔底》  
Lower turret



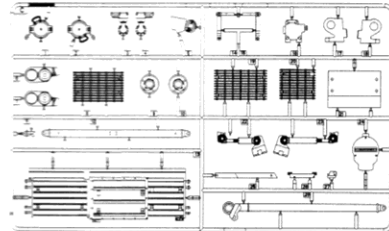
Ax4



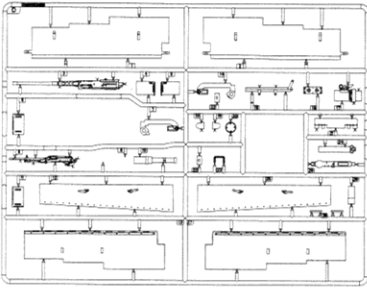
Bx2



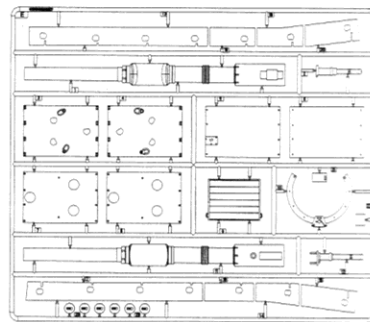
C



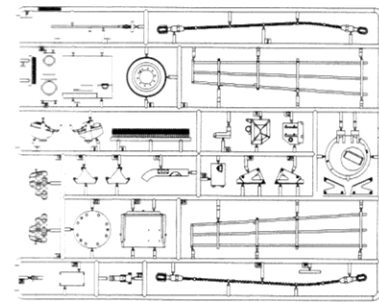
D



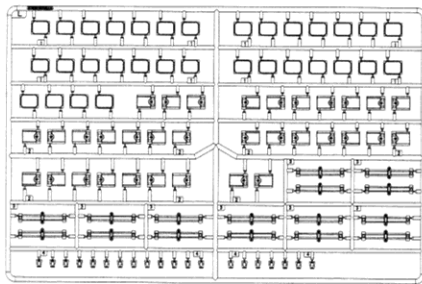
E



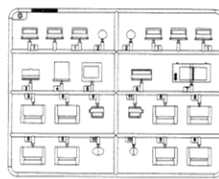
F



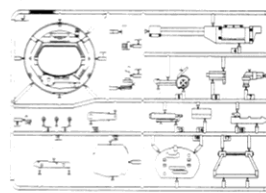
Lx10



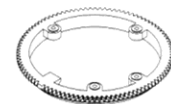
G



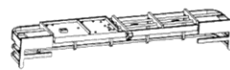
J



S1



K1



K2



K3



《轮胎》  
Tyre x33



《螺丝 I》x4  
Screw I  
PWB 2x5x5



《螺丝 II》x16  
Screw II  
PWA 3x8x8



《螺丝 III》x3  
Screw III  
PWA 2.6x8x7



《螺丝 IV》x2  
Screw IV  
PB 2.6x12



《螺丝 V》x6  
Screw V  
PB 3x10



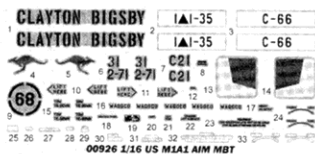
《胶圈》  
Rubber ring

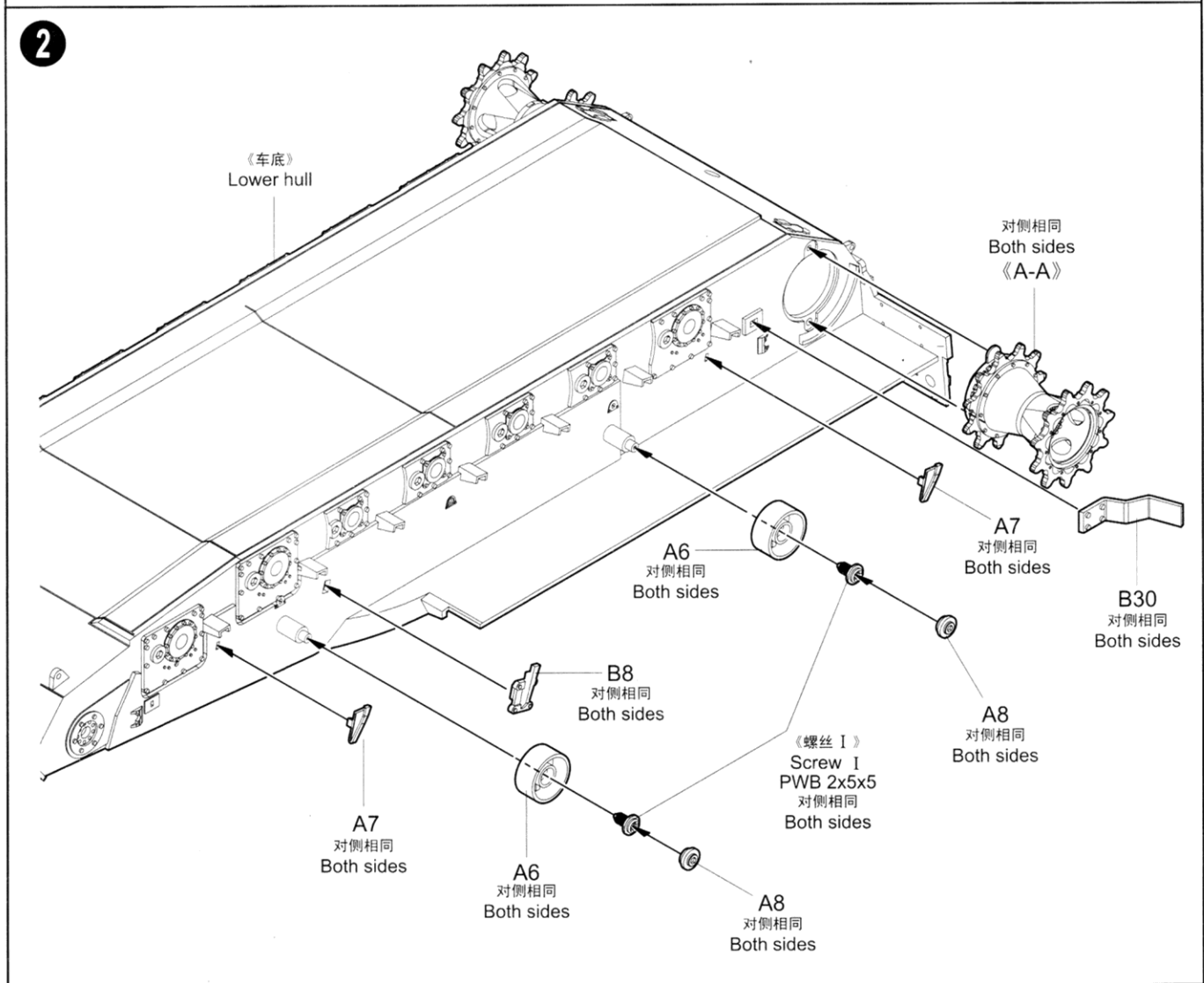
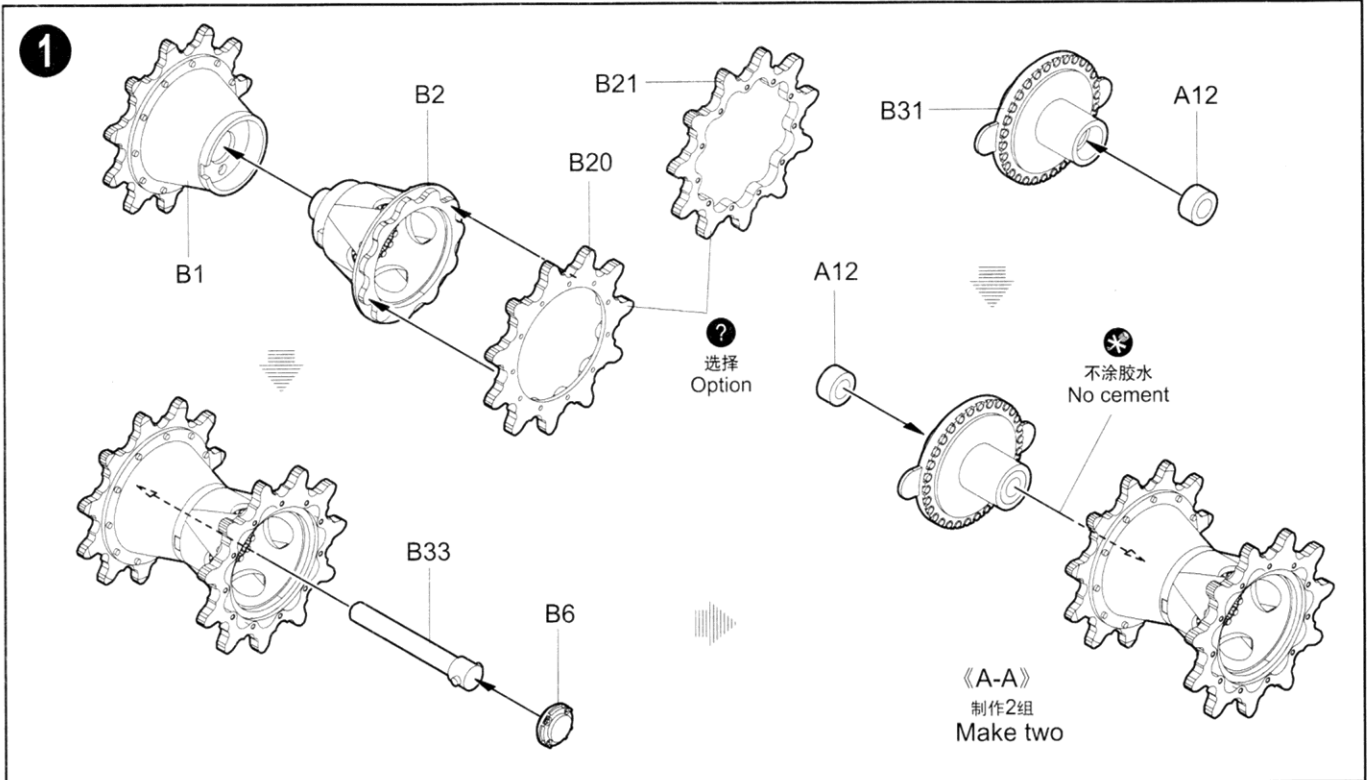


《蚀刻片》  
PE

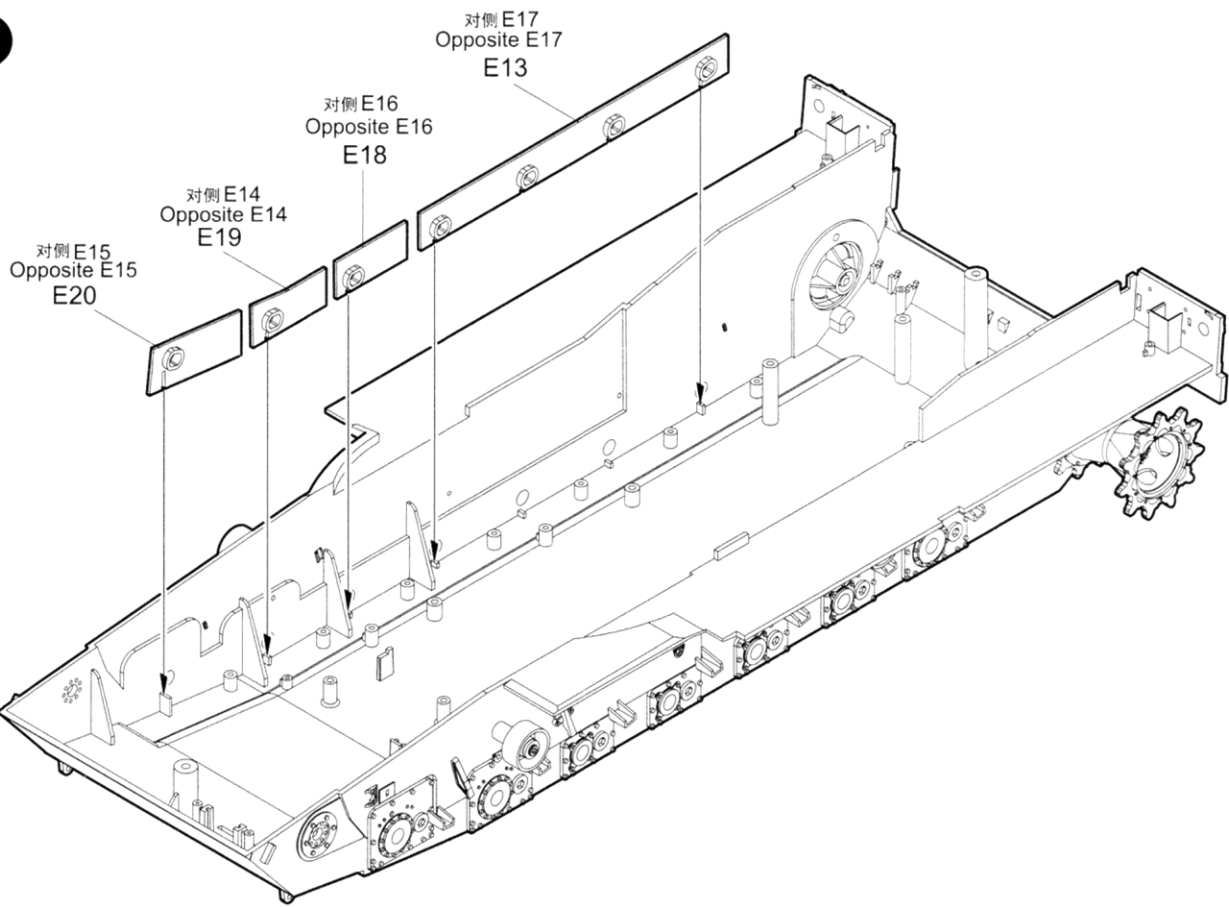


《水贴》  
Decal

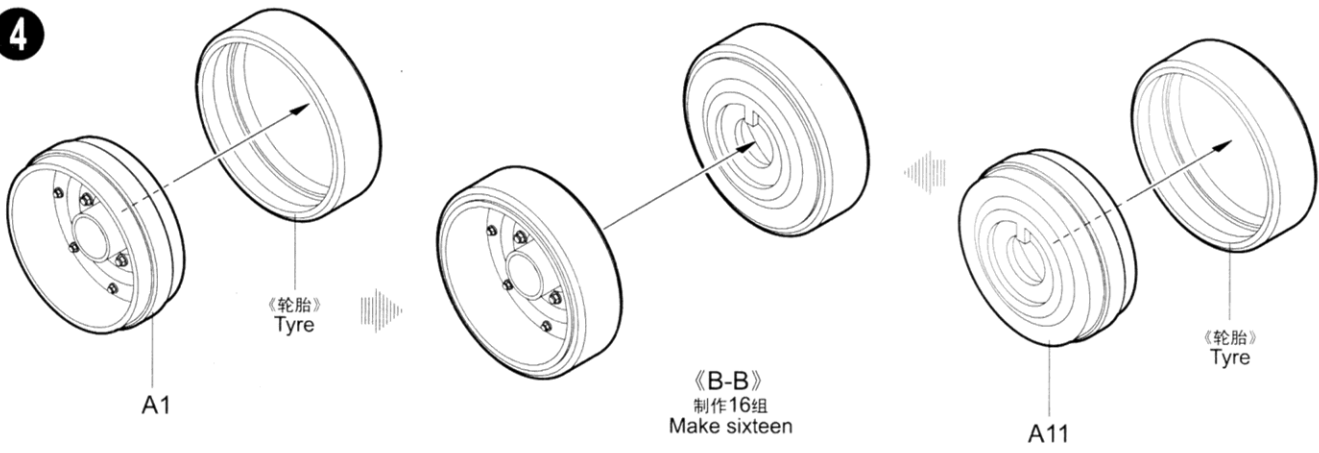




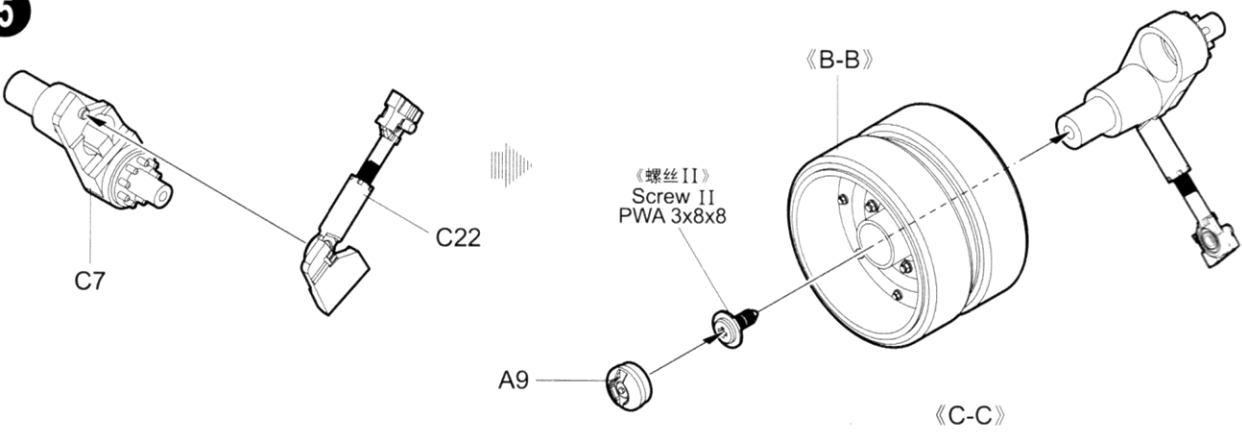
3



4



5

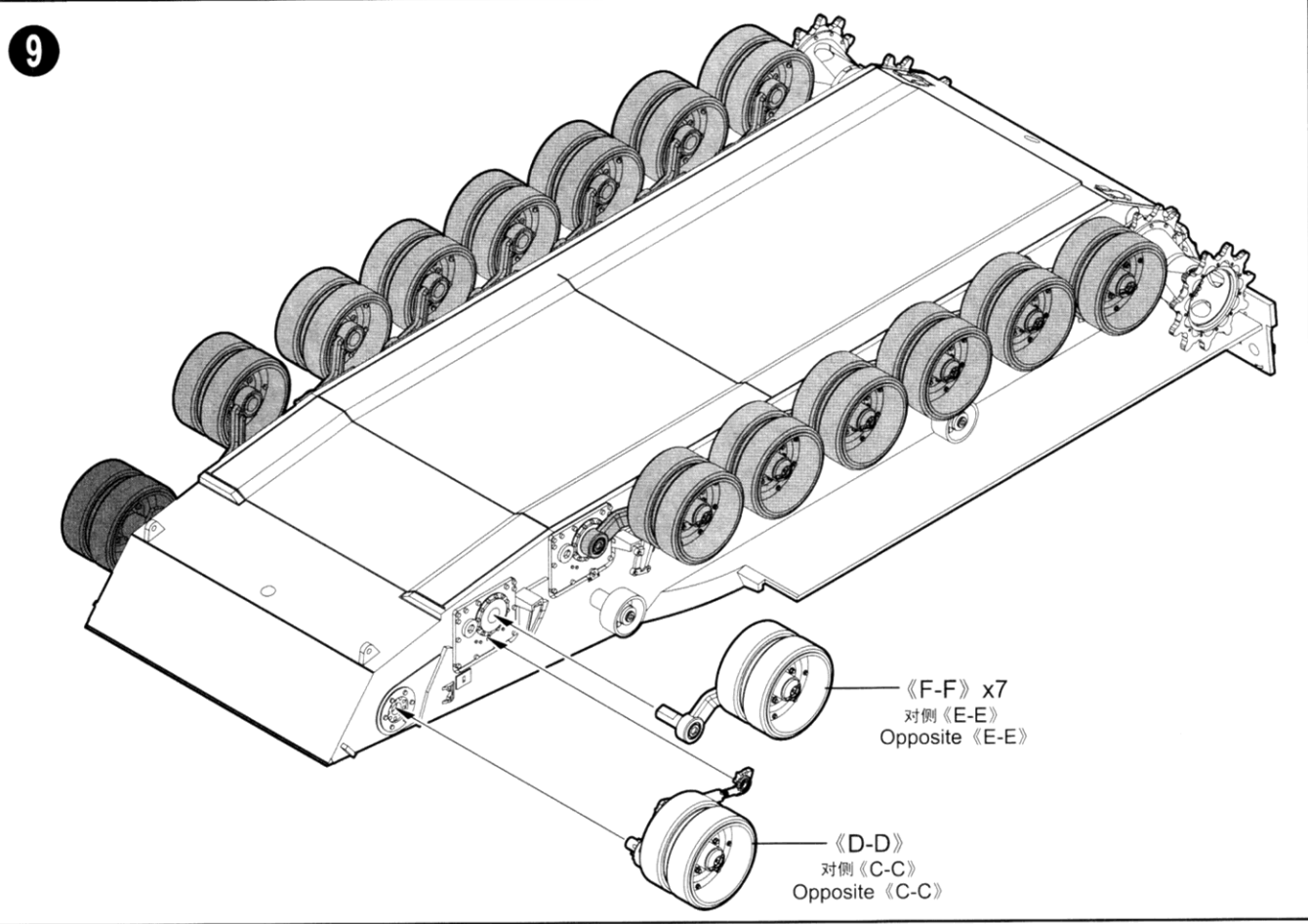
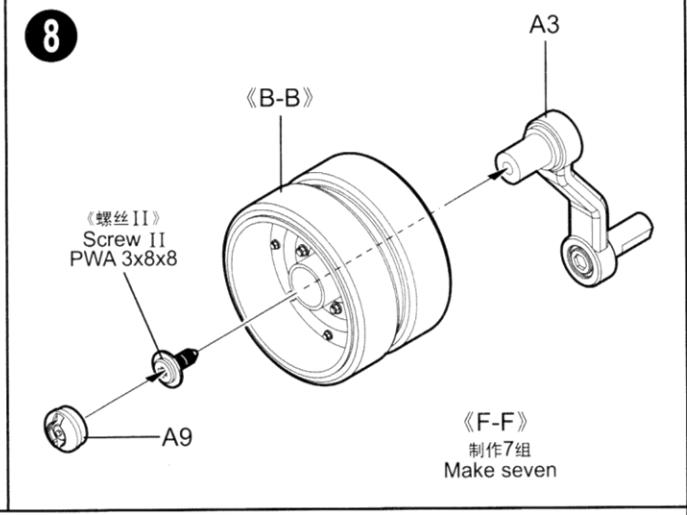
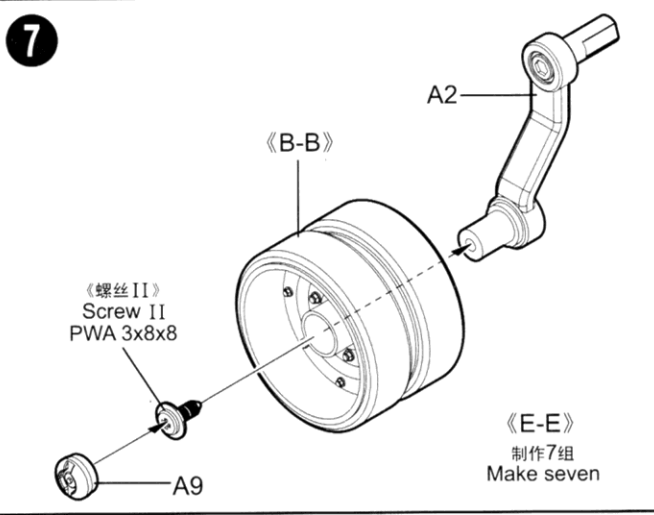
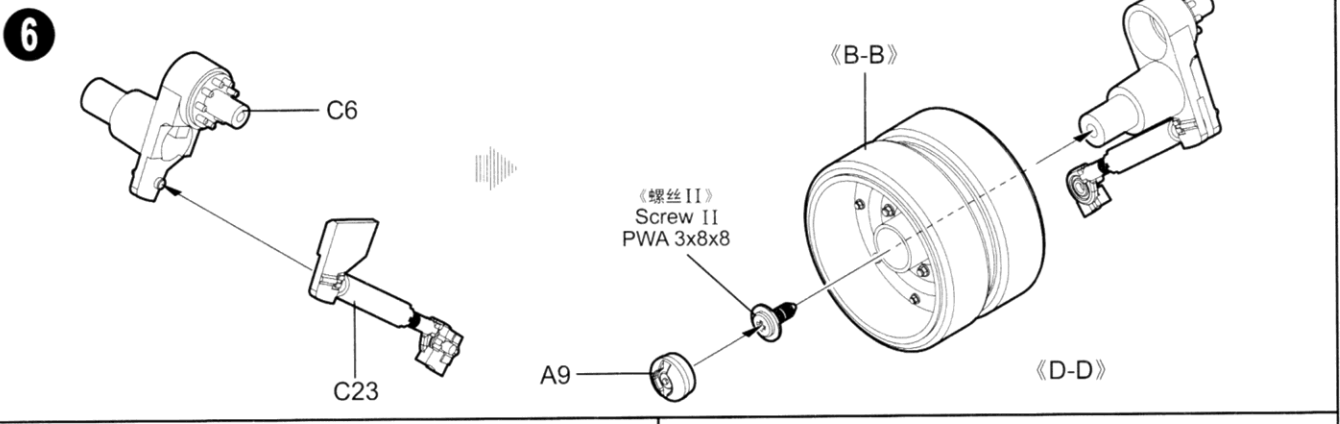


6

7

《螺丝 I》  
Screw  
PWA 3x8

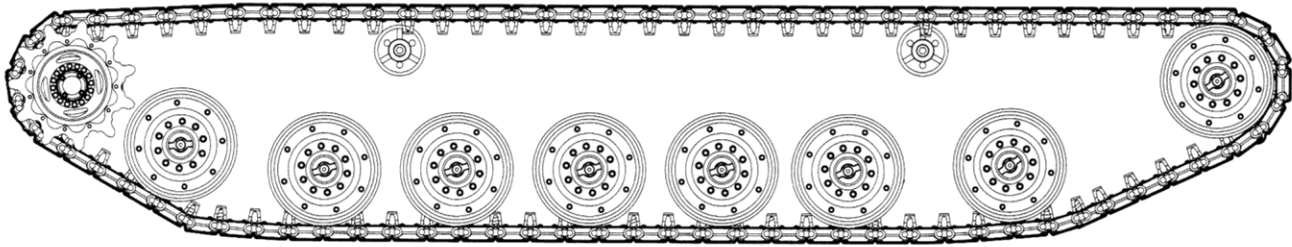
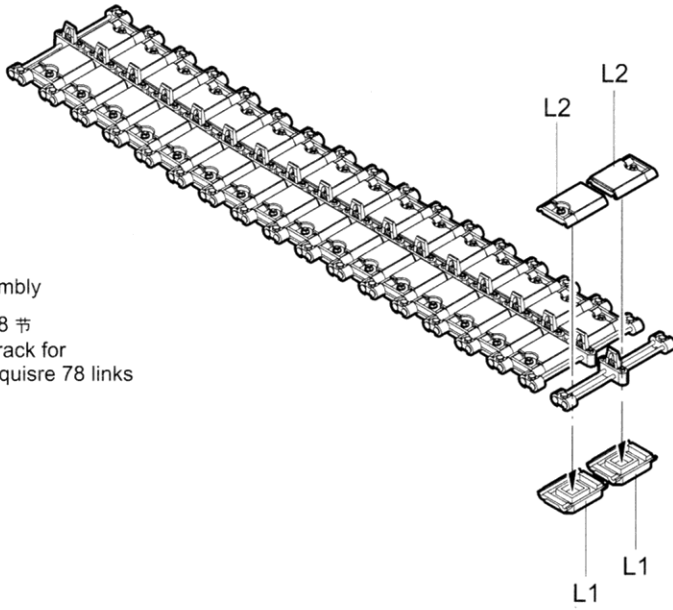
9



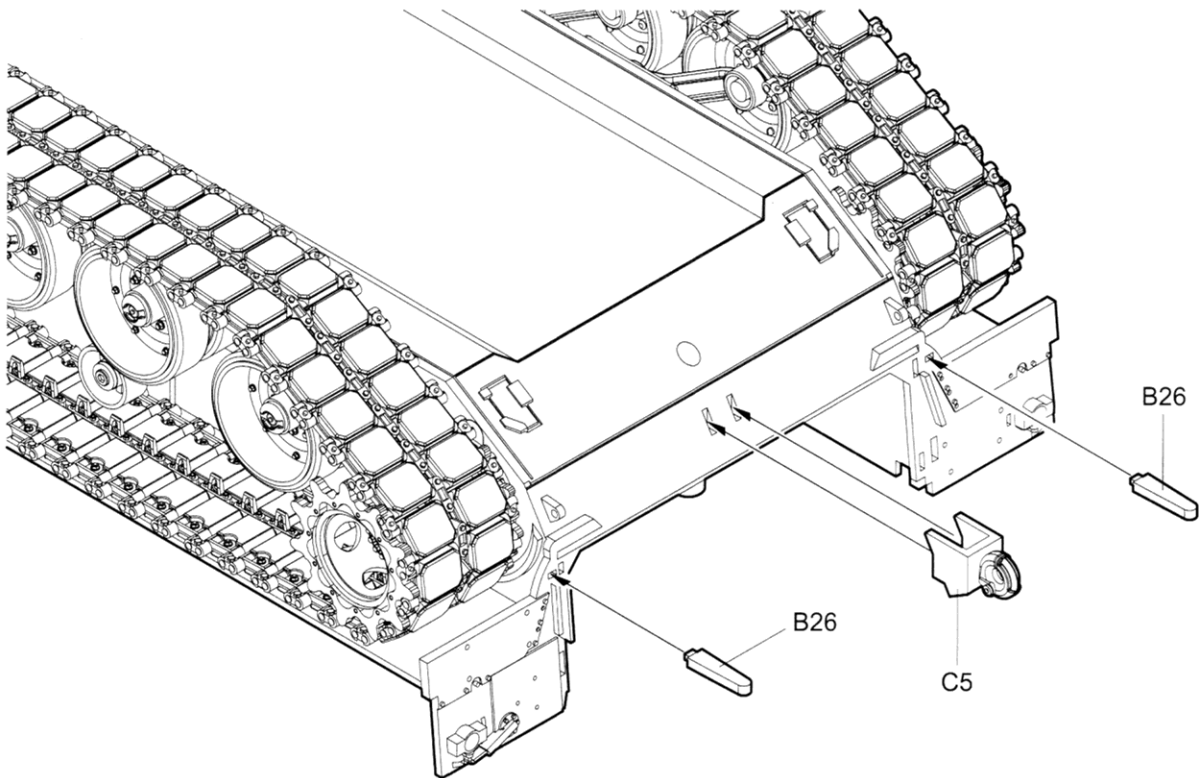
10

履带组装  
Track assembly

单侧履带约 78 节  
Complete track for  
one side require 78 links



11

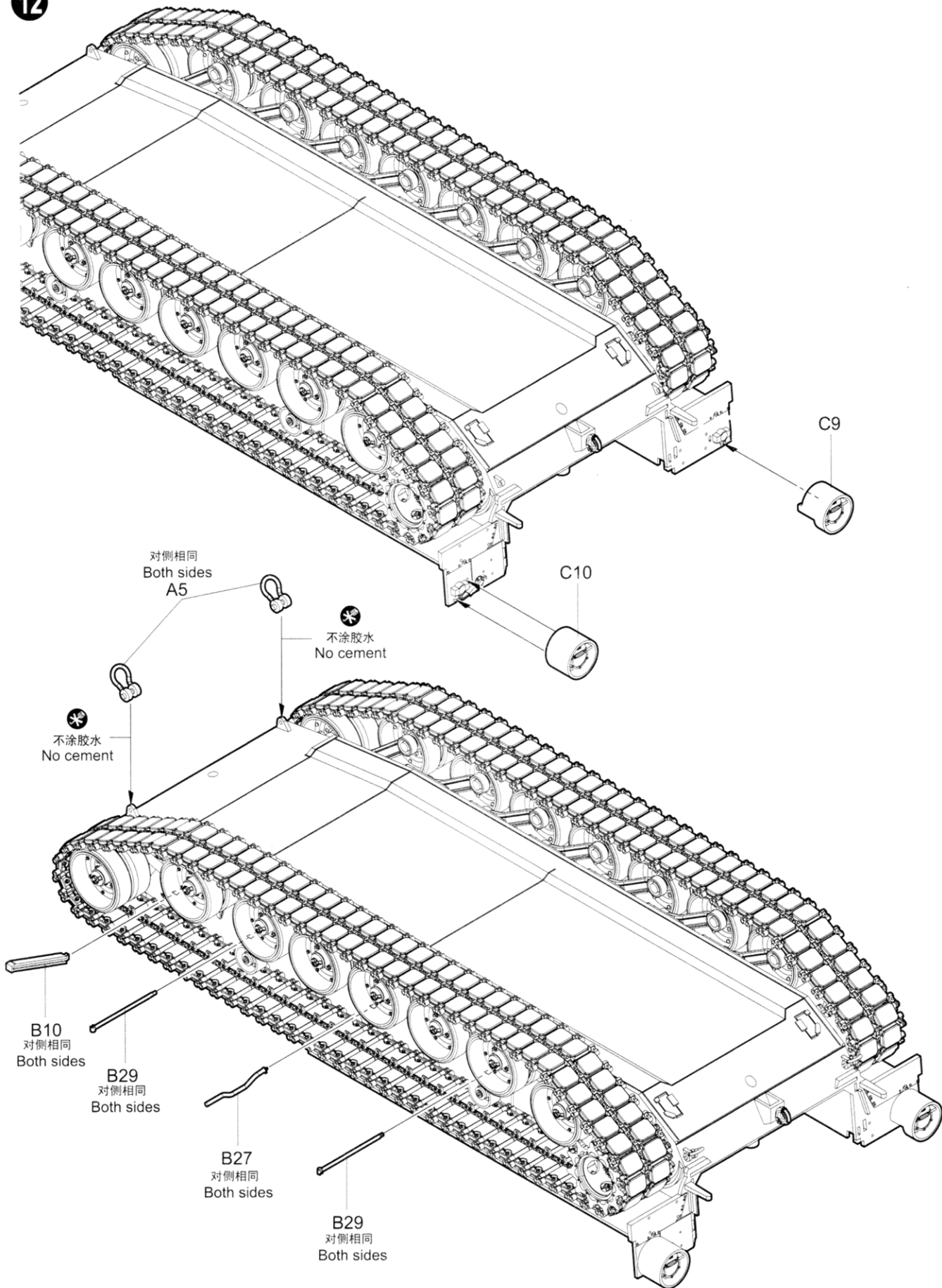


12

不涂胶  
No cement

B10  
对侧相同  
Both sides

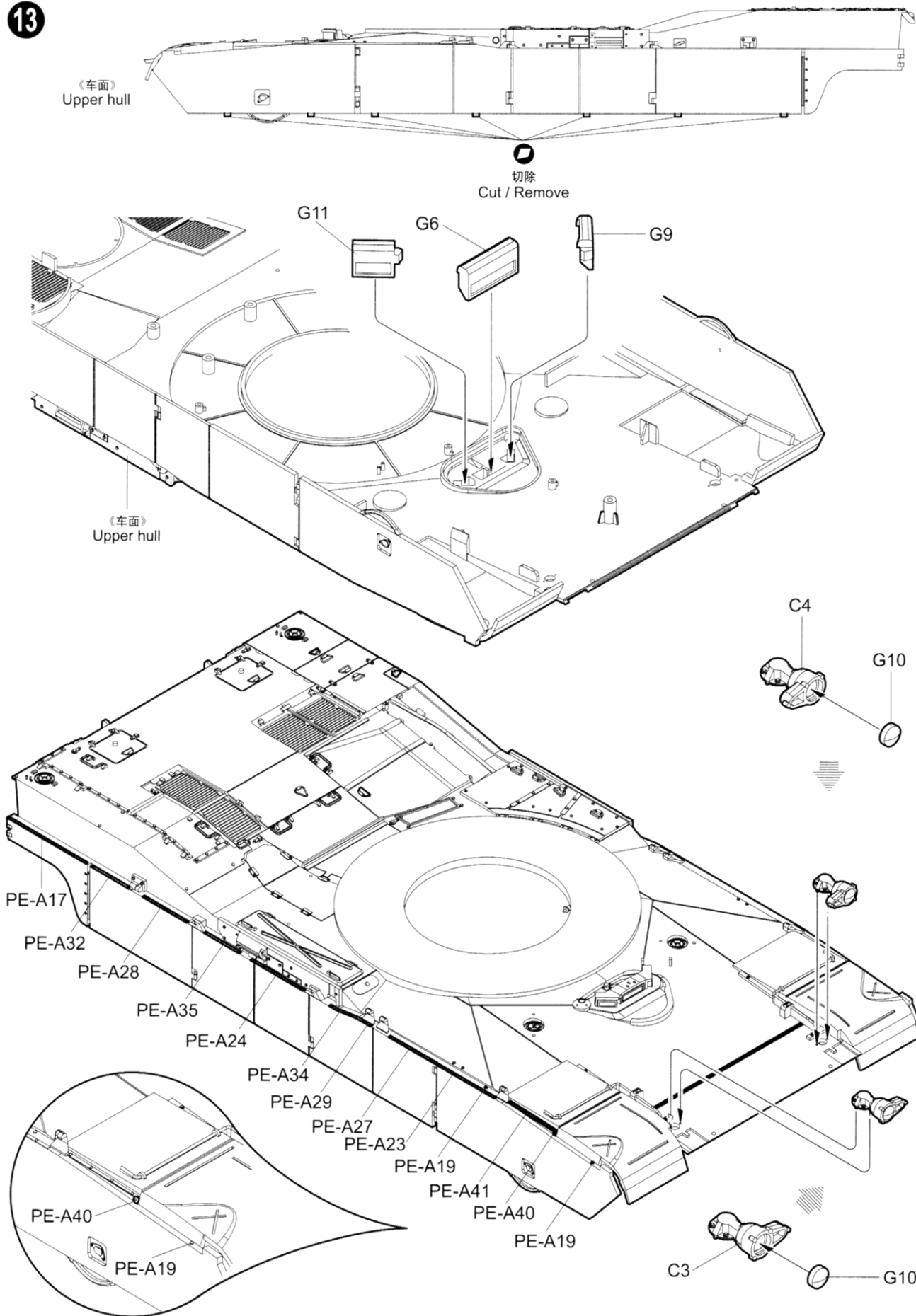
12



13

《车面》  
Upper hull

切除  
Cut / Remove



14

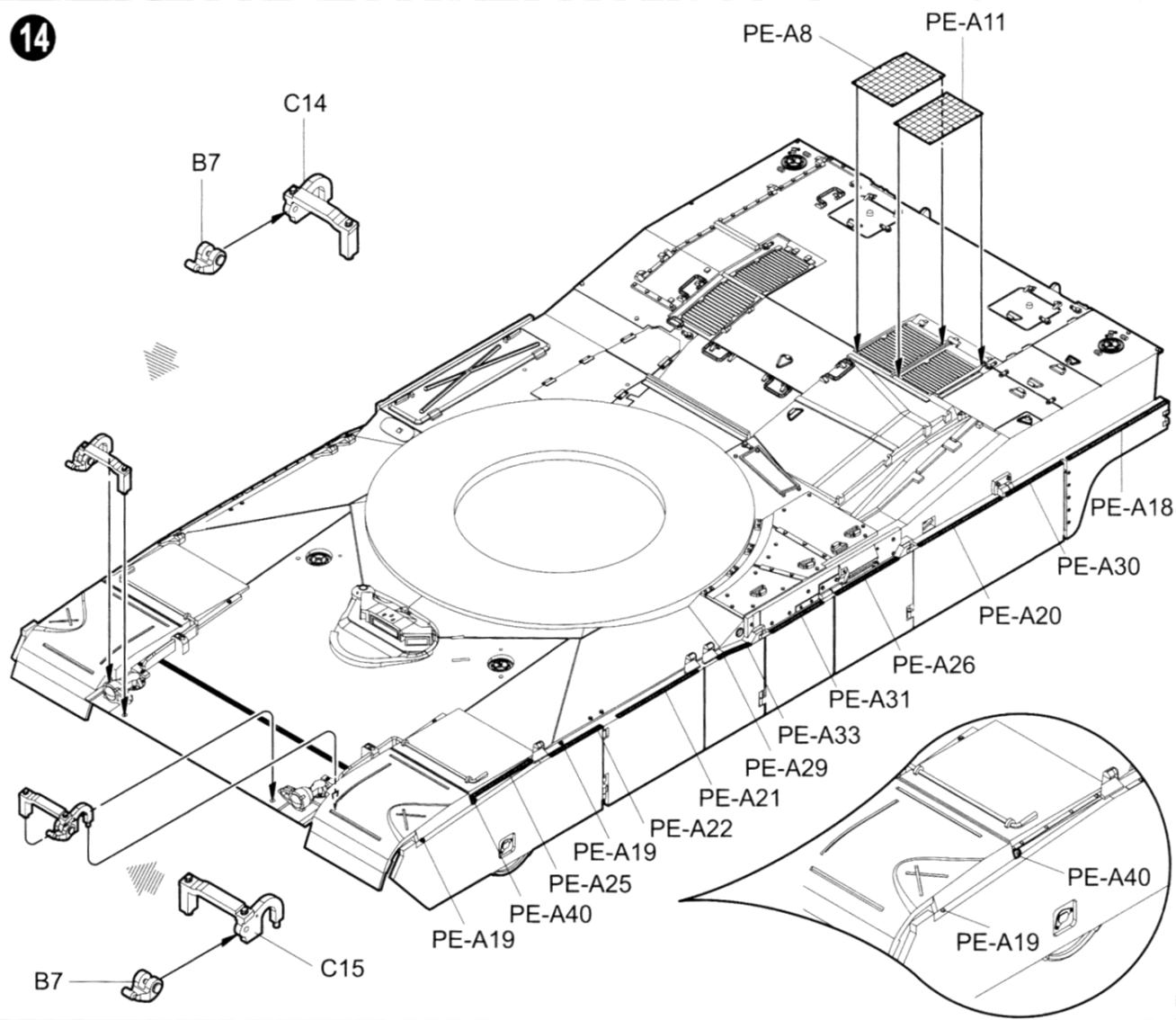


B7

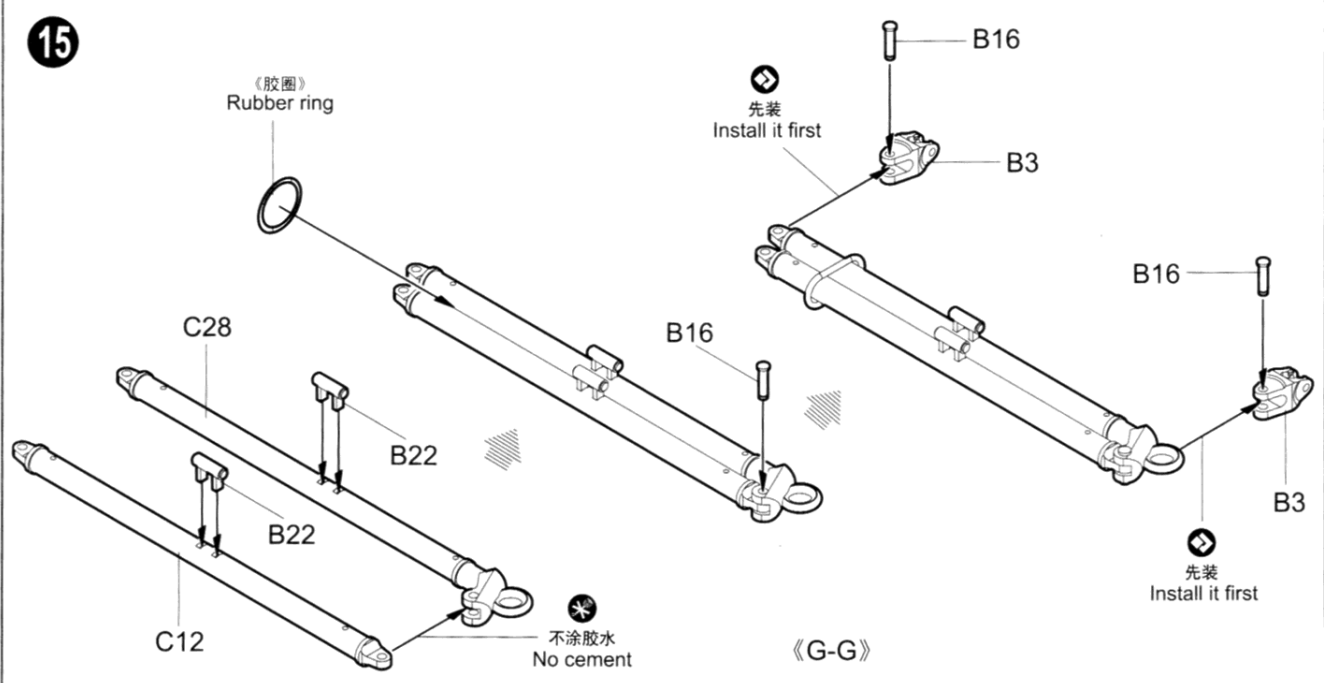
15



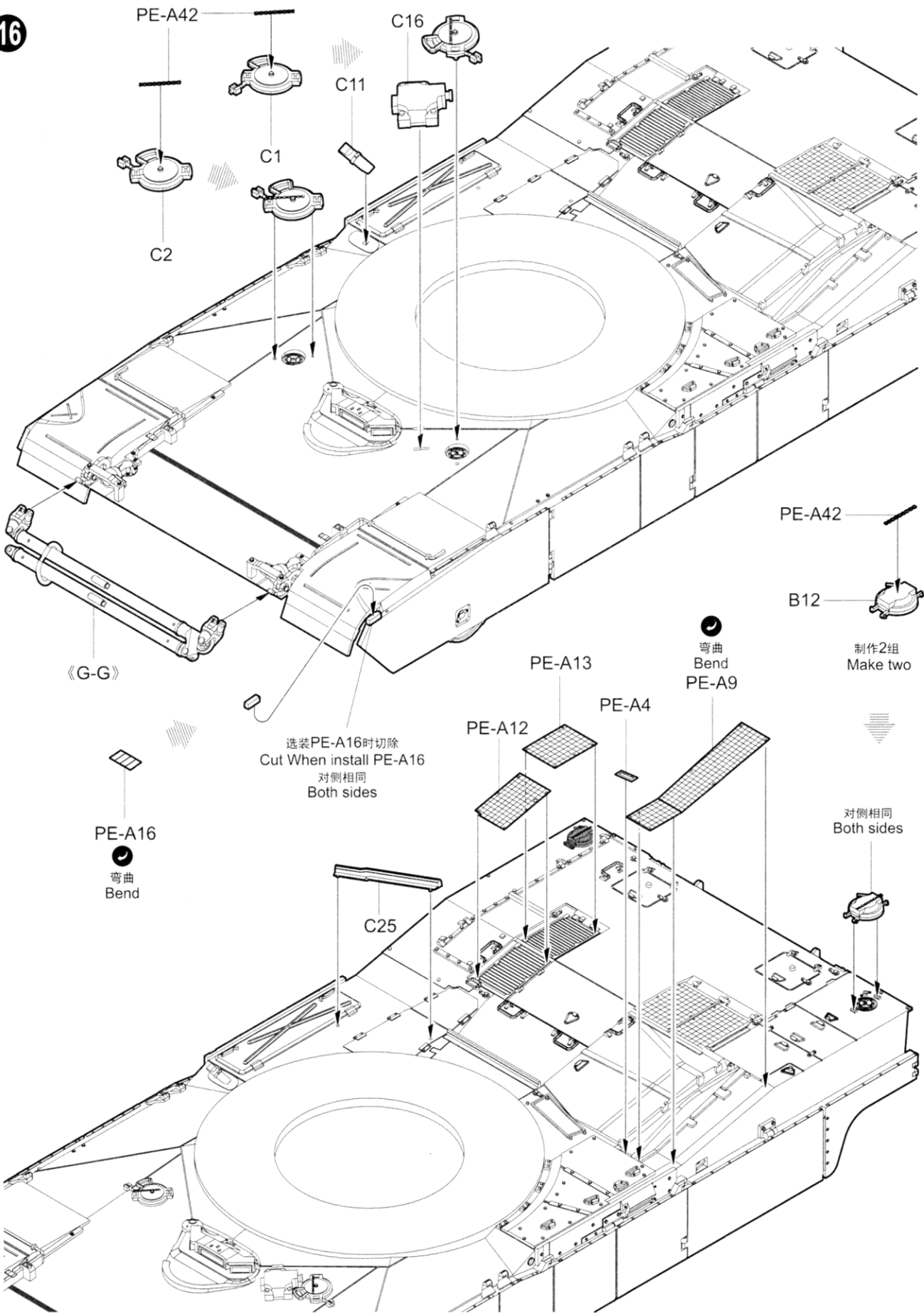
14



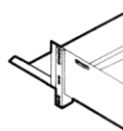
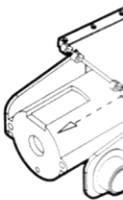
15

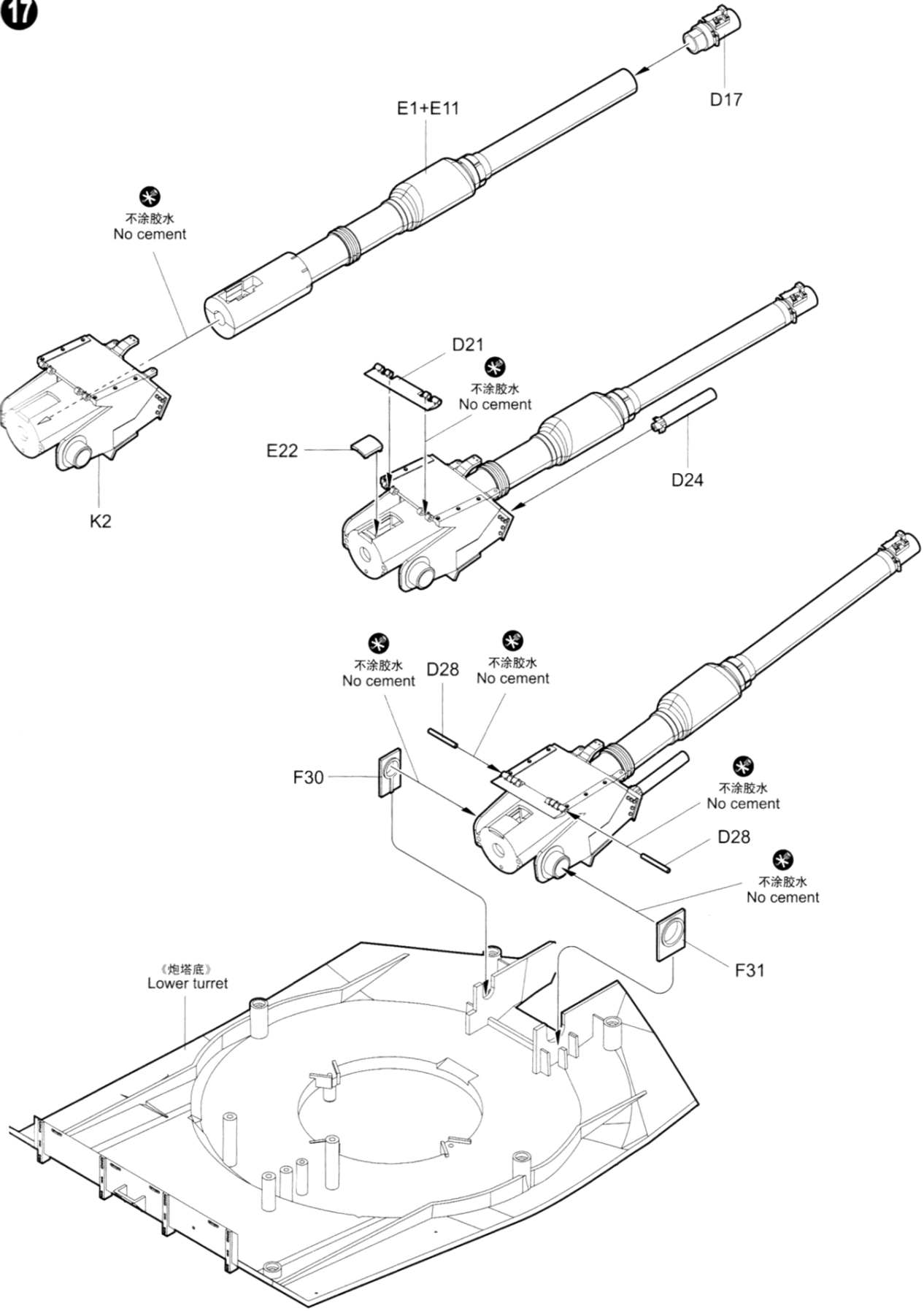


16



17





不涂胶水  
No cement

E1+E11

D17

K2

D21

不涂胶水  
No cement

E22

D24

不涂胶水  
No cement

D28

不涂胶水  
No cement

F30

不涂胶水  
No cement

D28

不涂胶水  
No cement

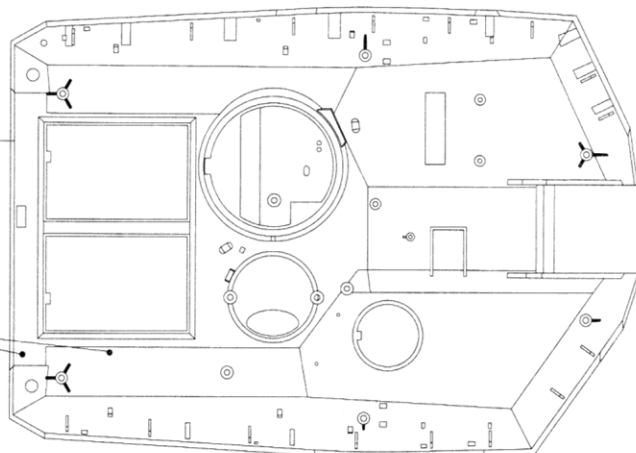
《炮塔底》  
Lower turret

F31

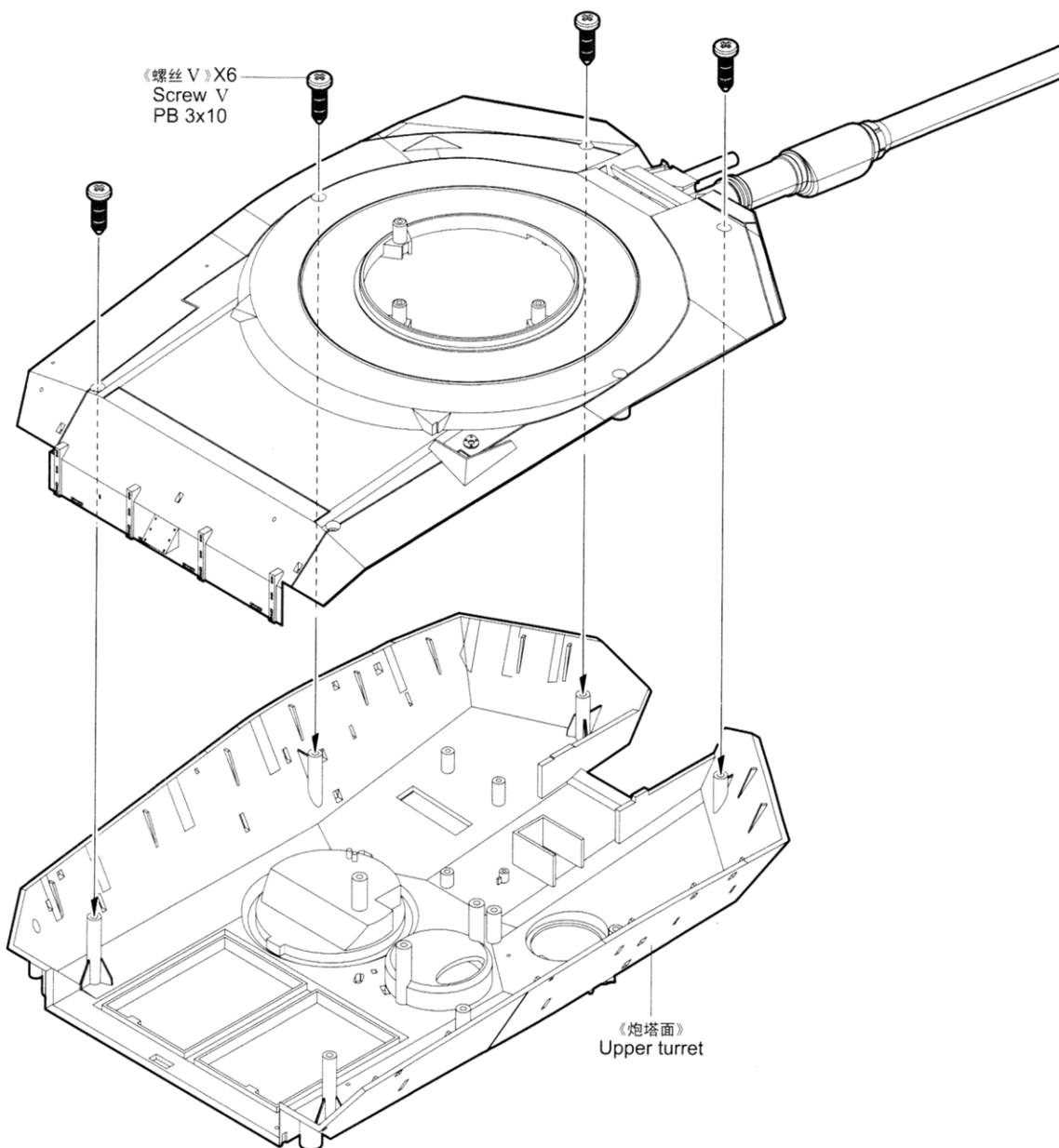
18

《炮塔面》  
Upper turret

ⓘ  
钻孔  
Make holes



《螺丝 V》X6  
Screw V  
PB 3x10

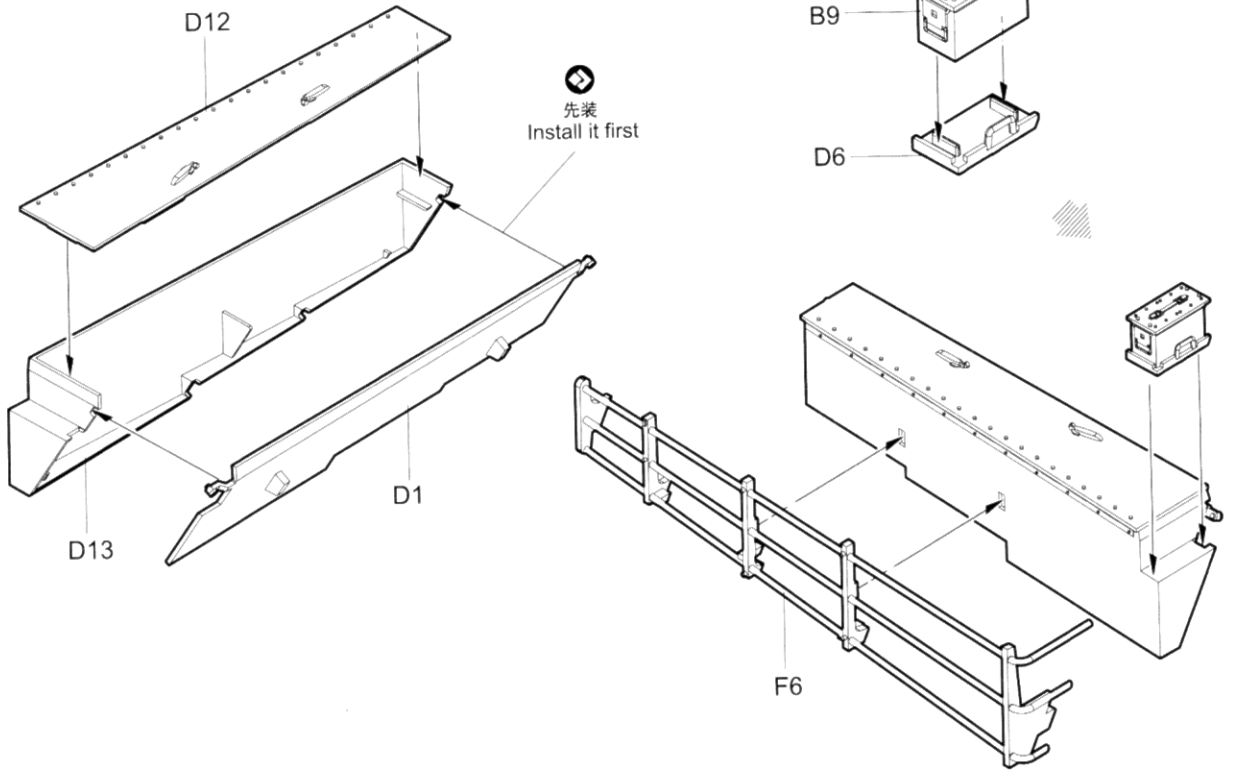


《炮塔面》  
Upper turret

19

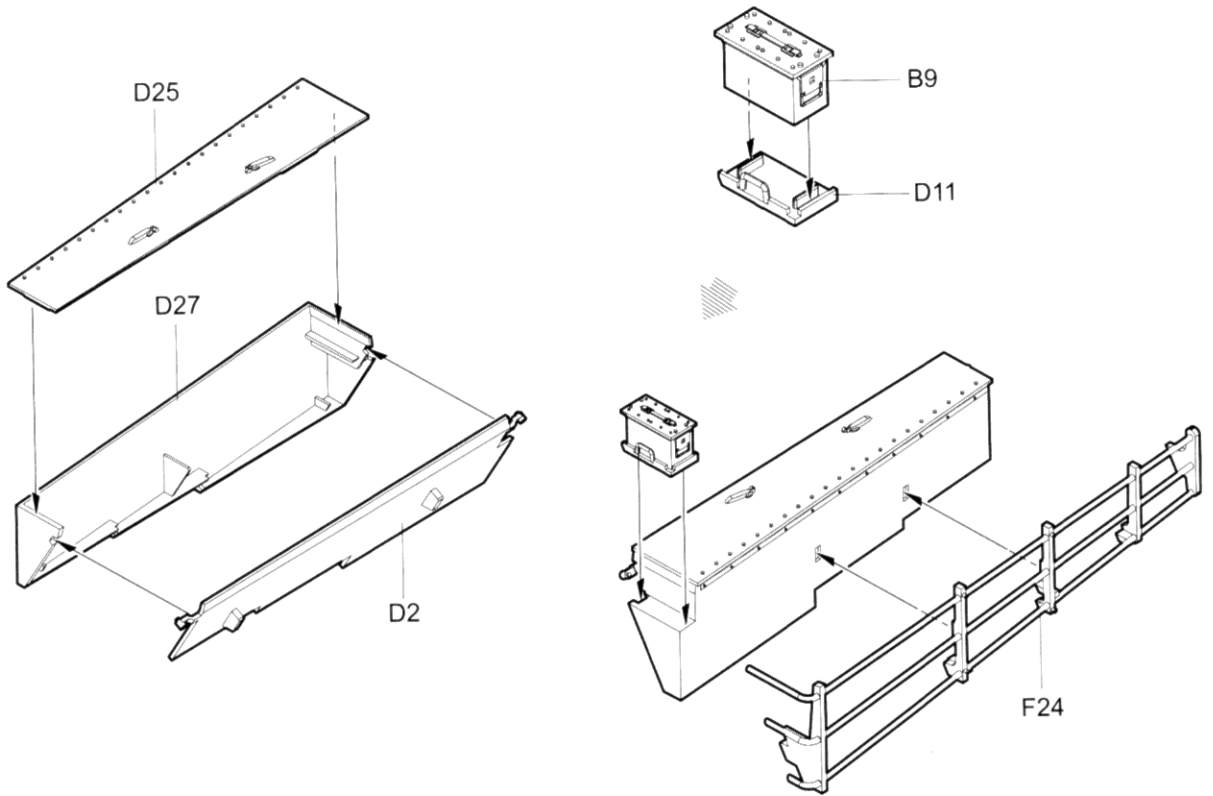
20

19

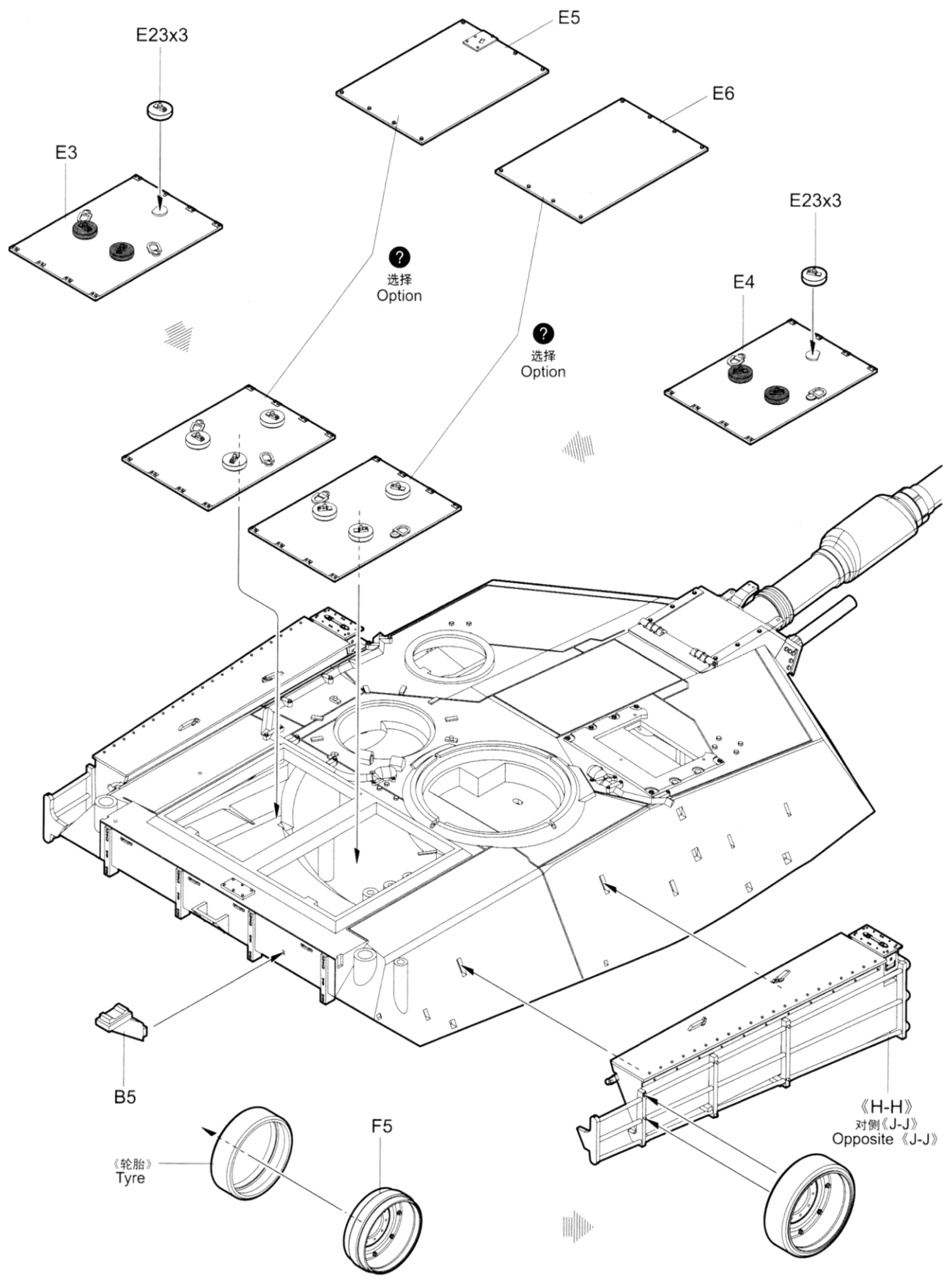


《H-H》

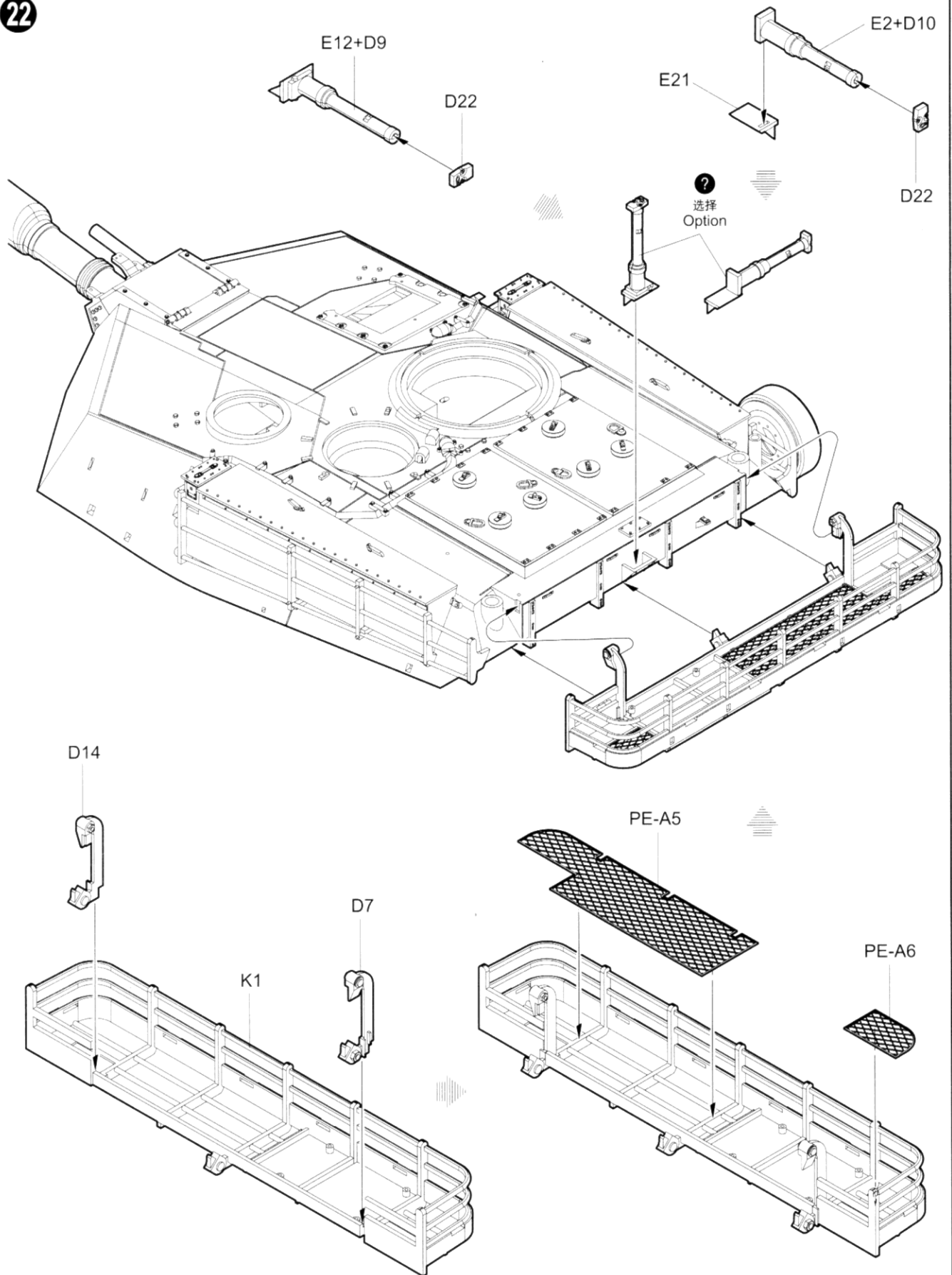
20



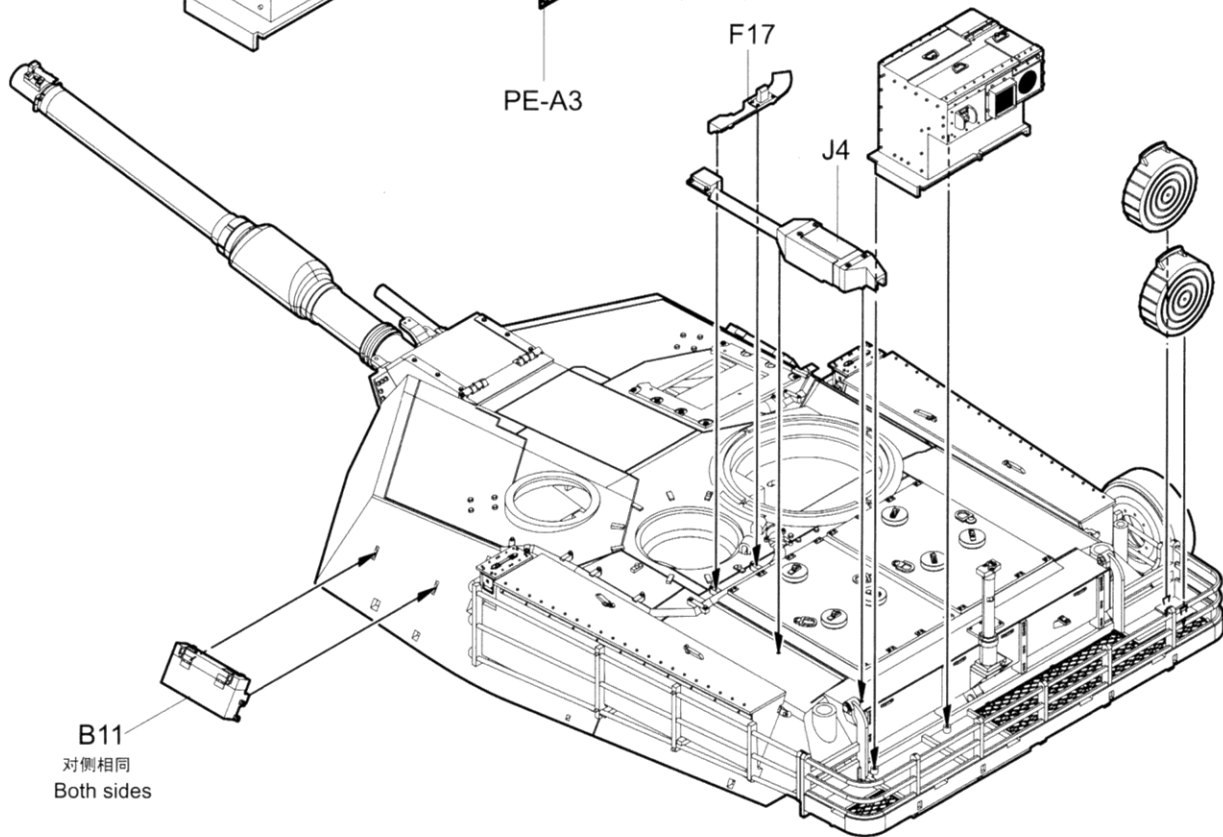
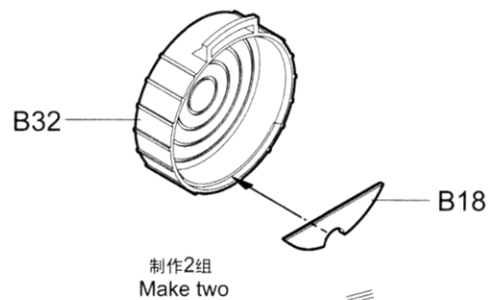
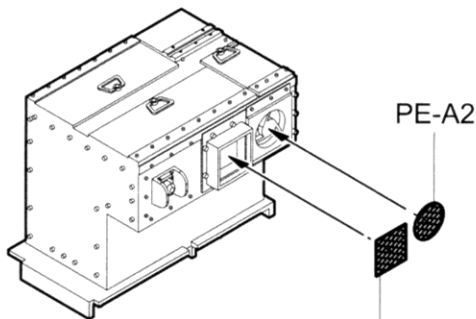
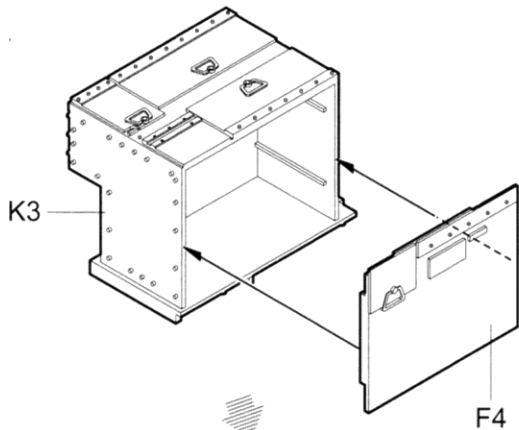
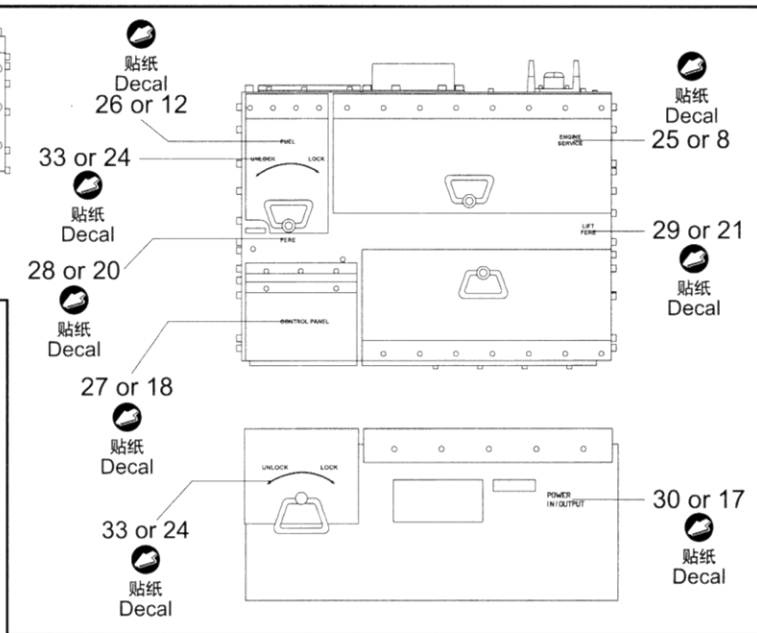
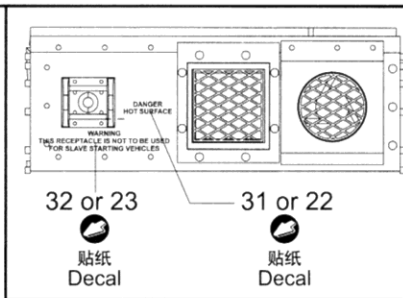
《J-J》



22



23



24

F25

G3

F21

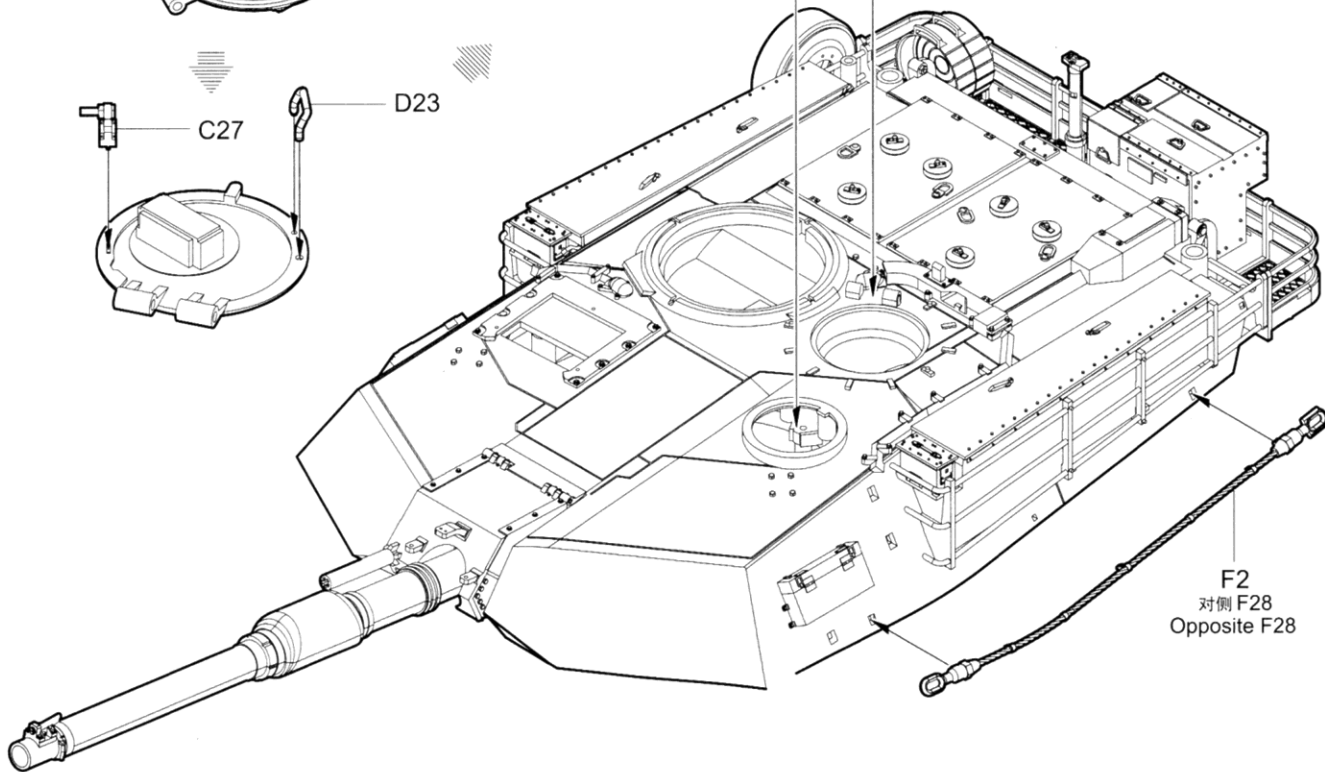
F22

不涂胶水  
No cement

C27

D23

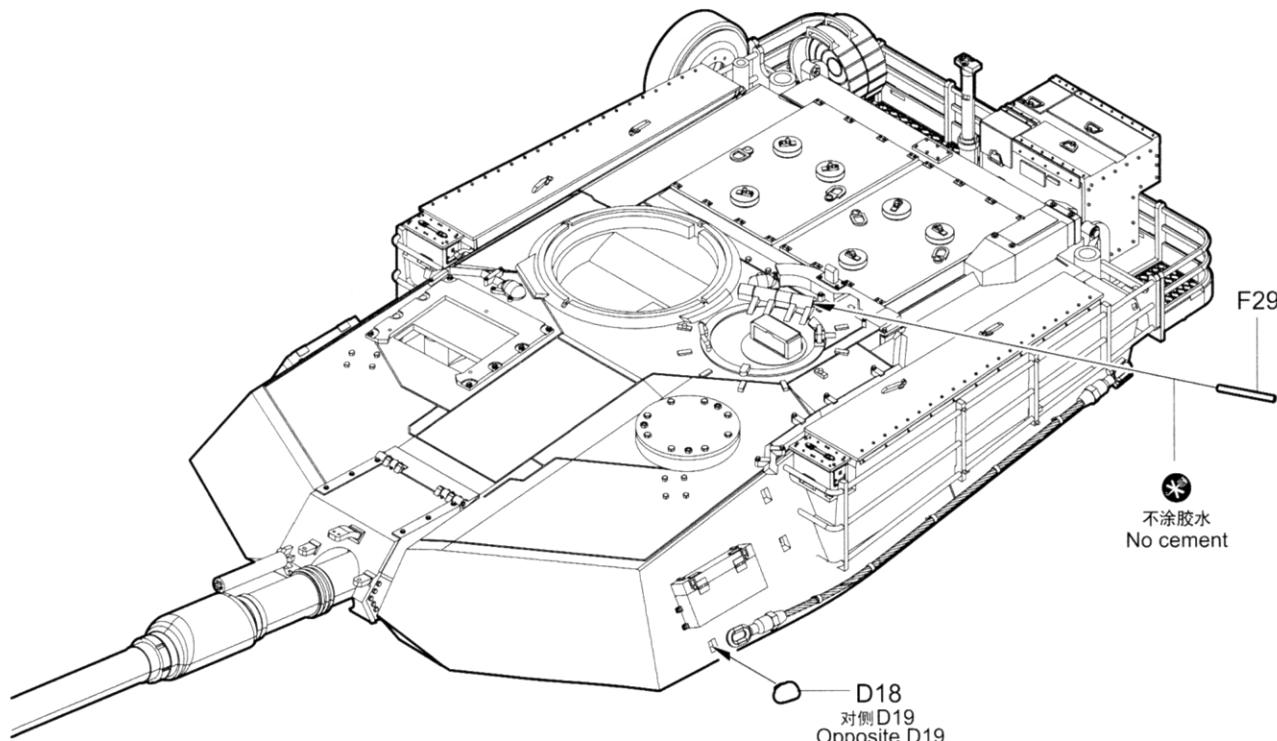
F2  
对侧 F28  
Opposite F28

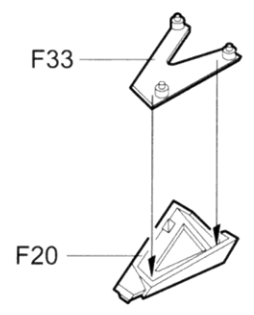
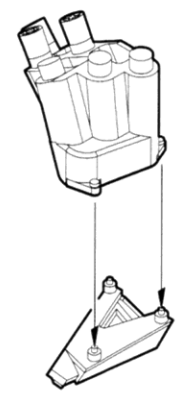
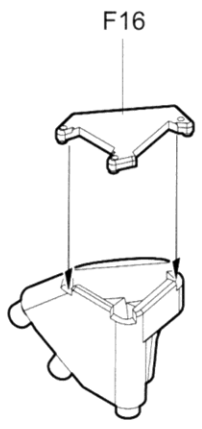
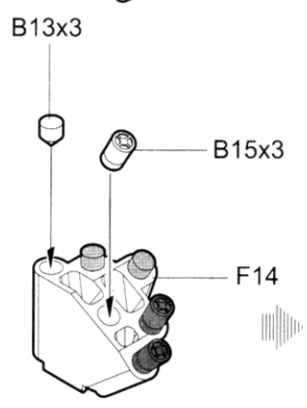
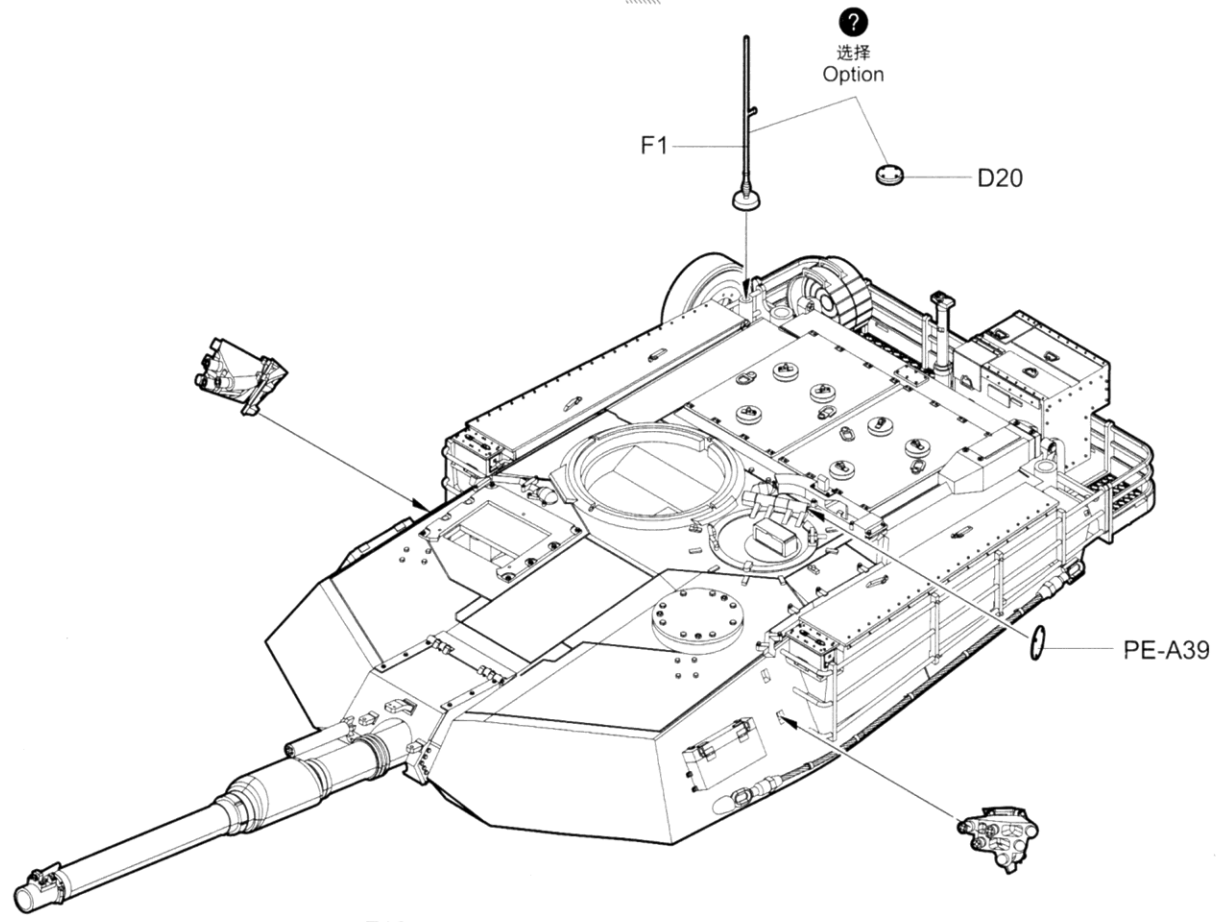
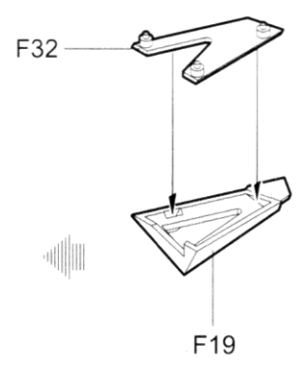
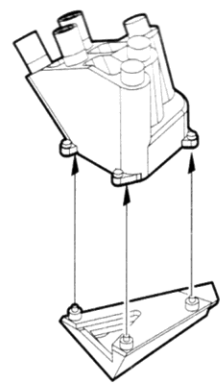
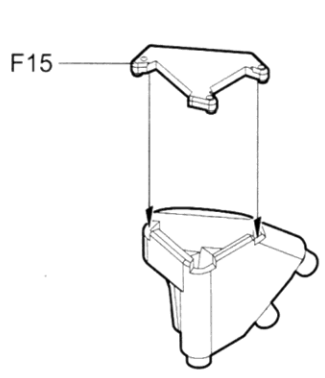
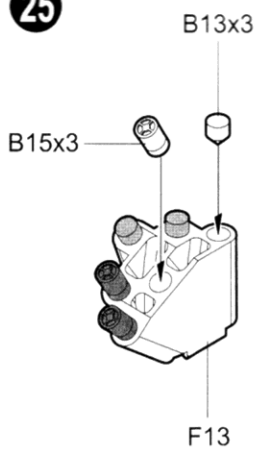


F29

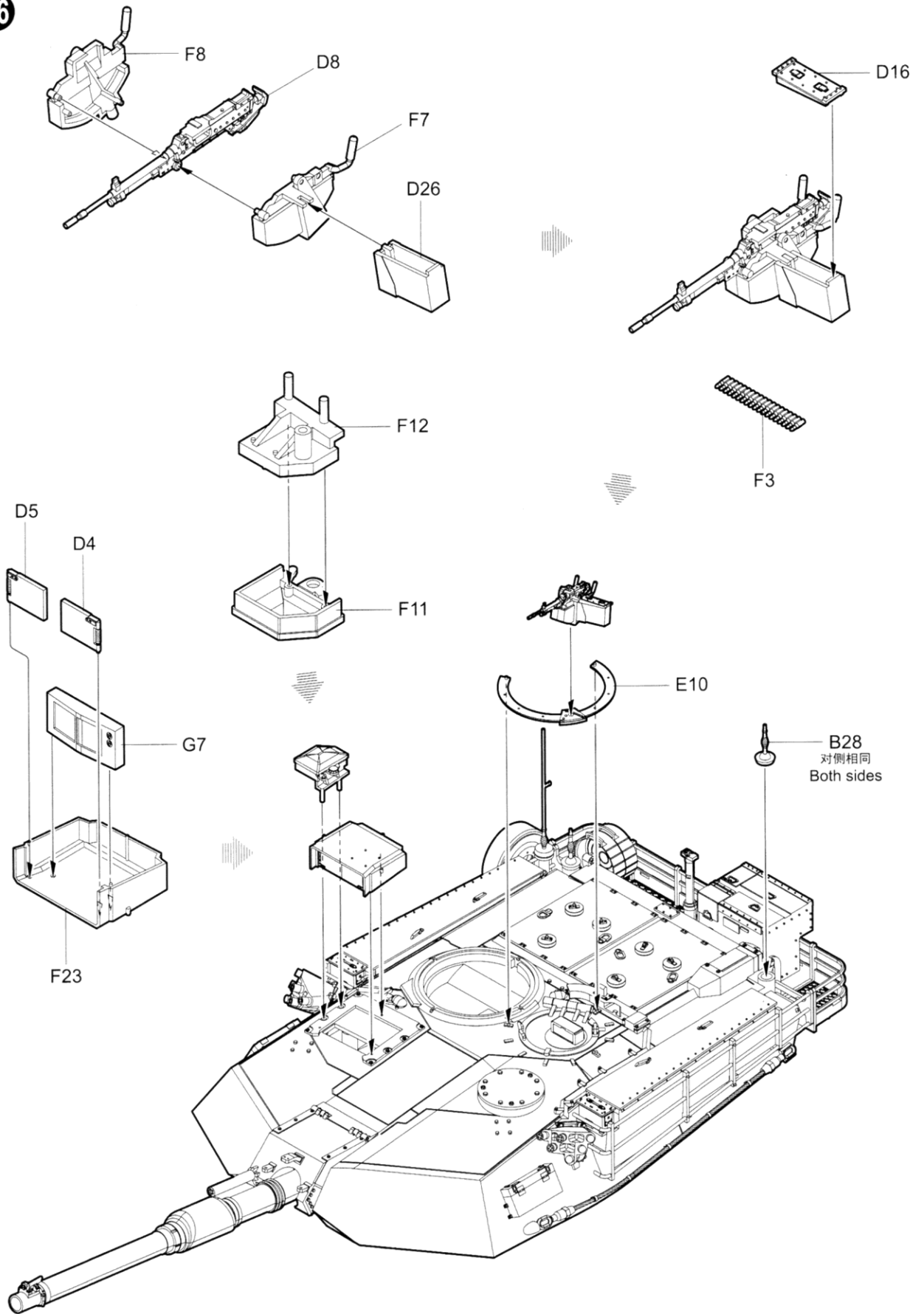
不涂胶水  
No cement

D18  
对侧 D19  
Opposite D19

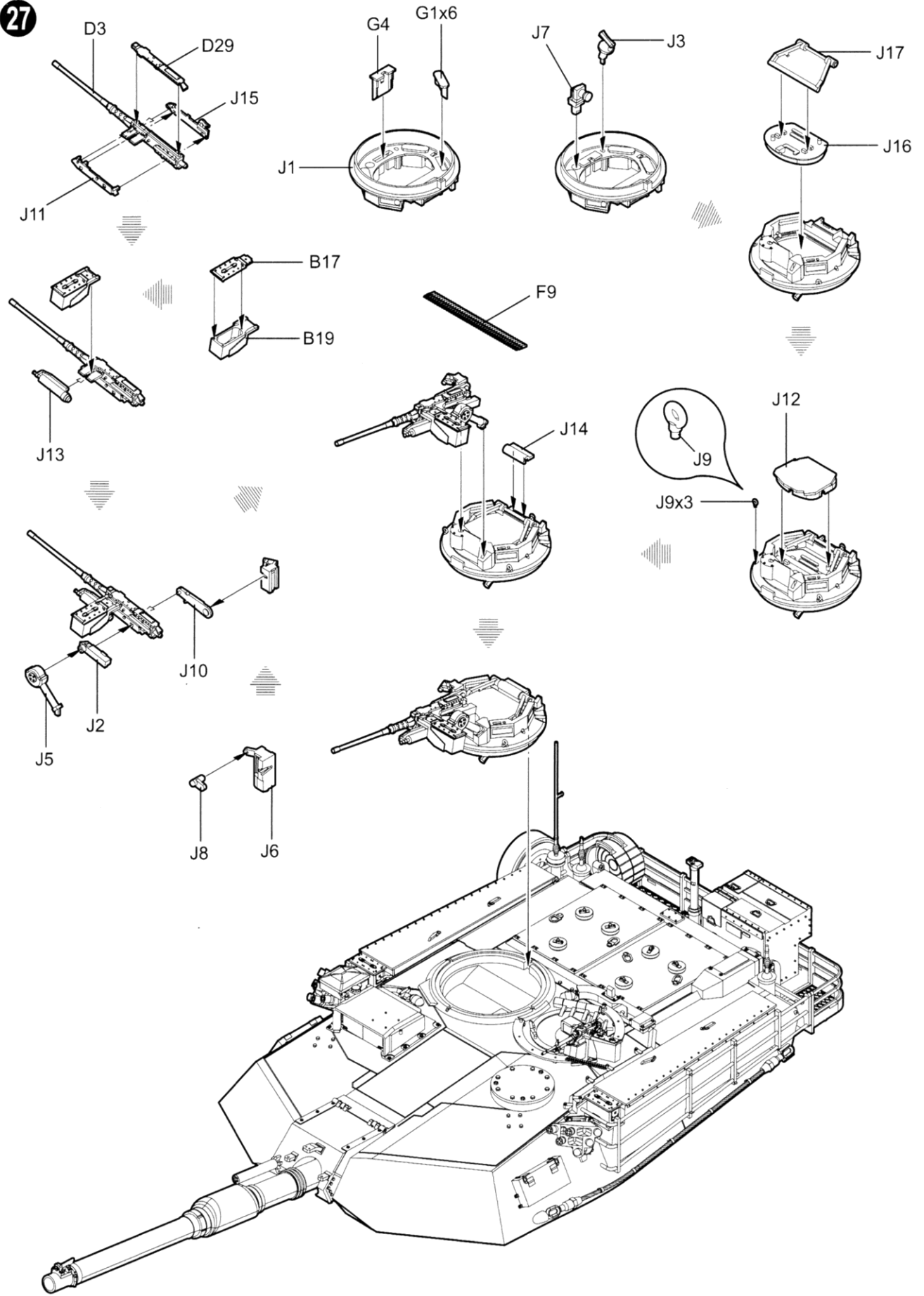


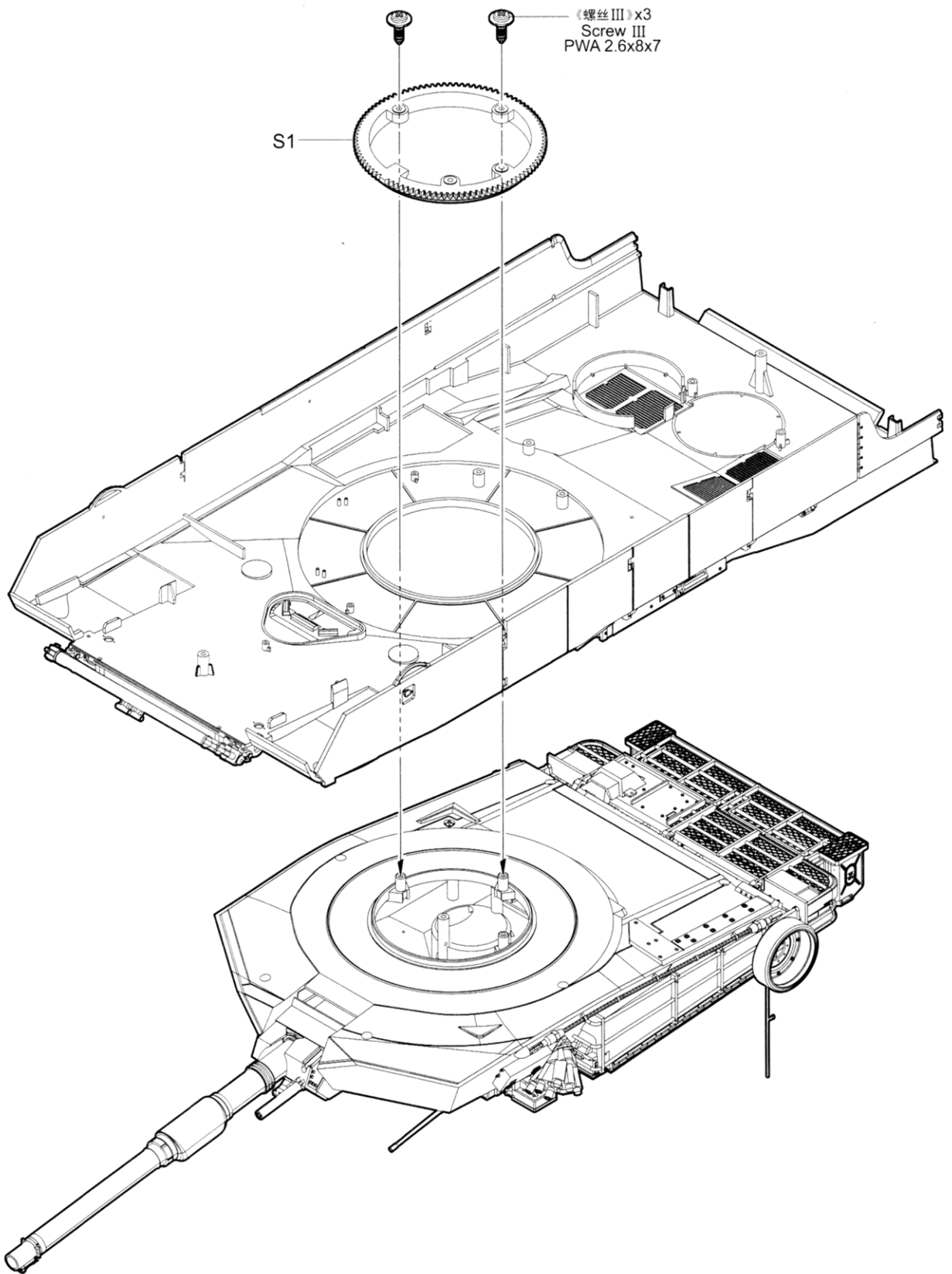


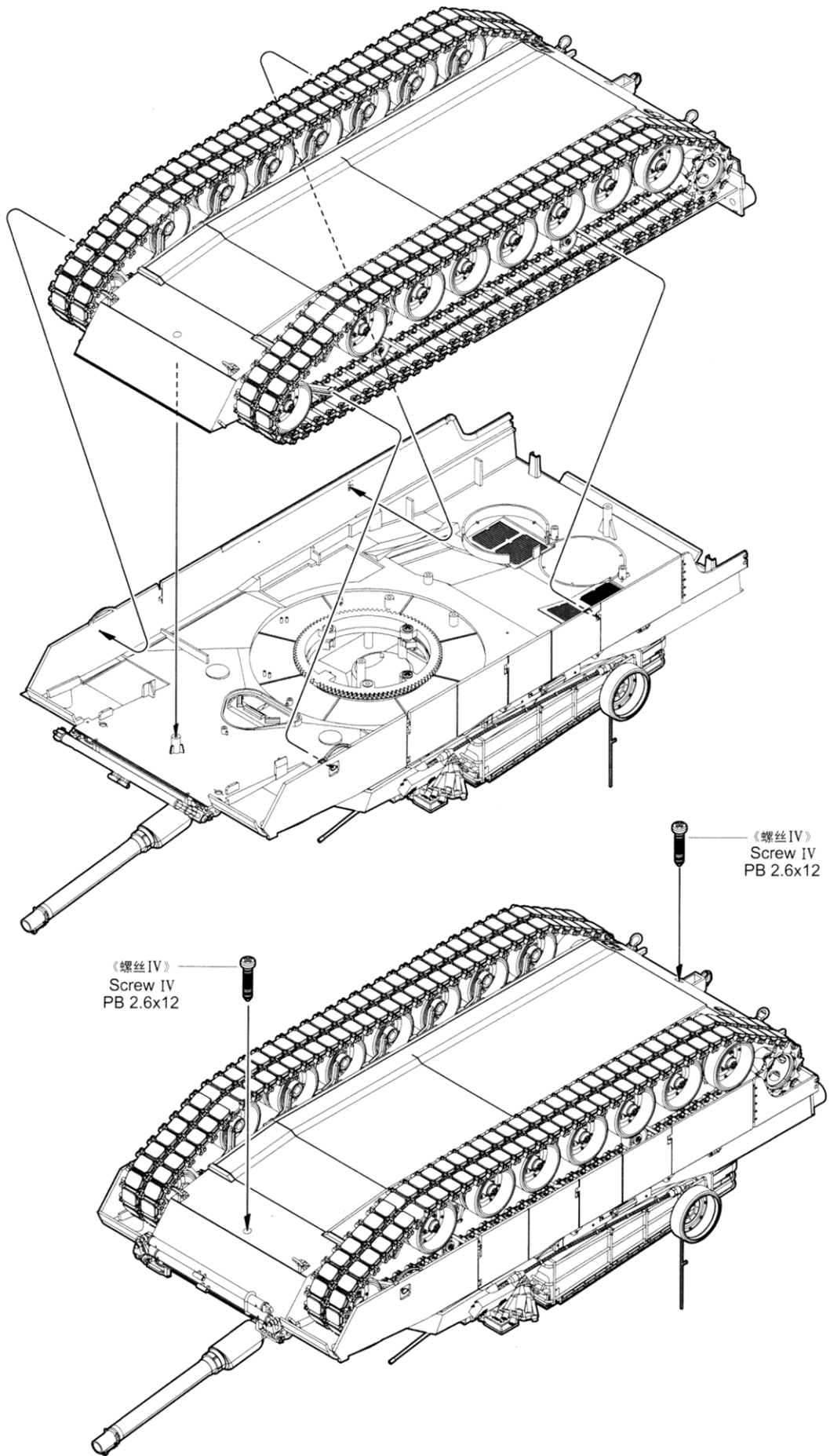
26



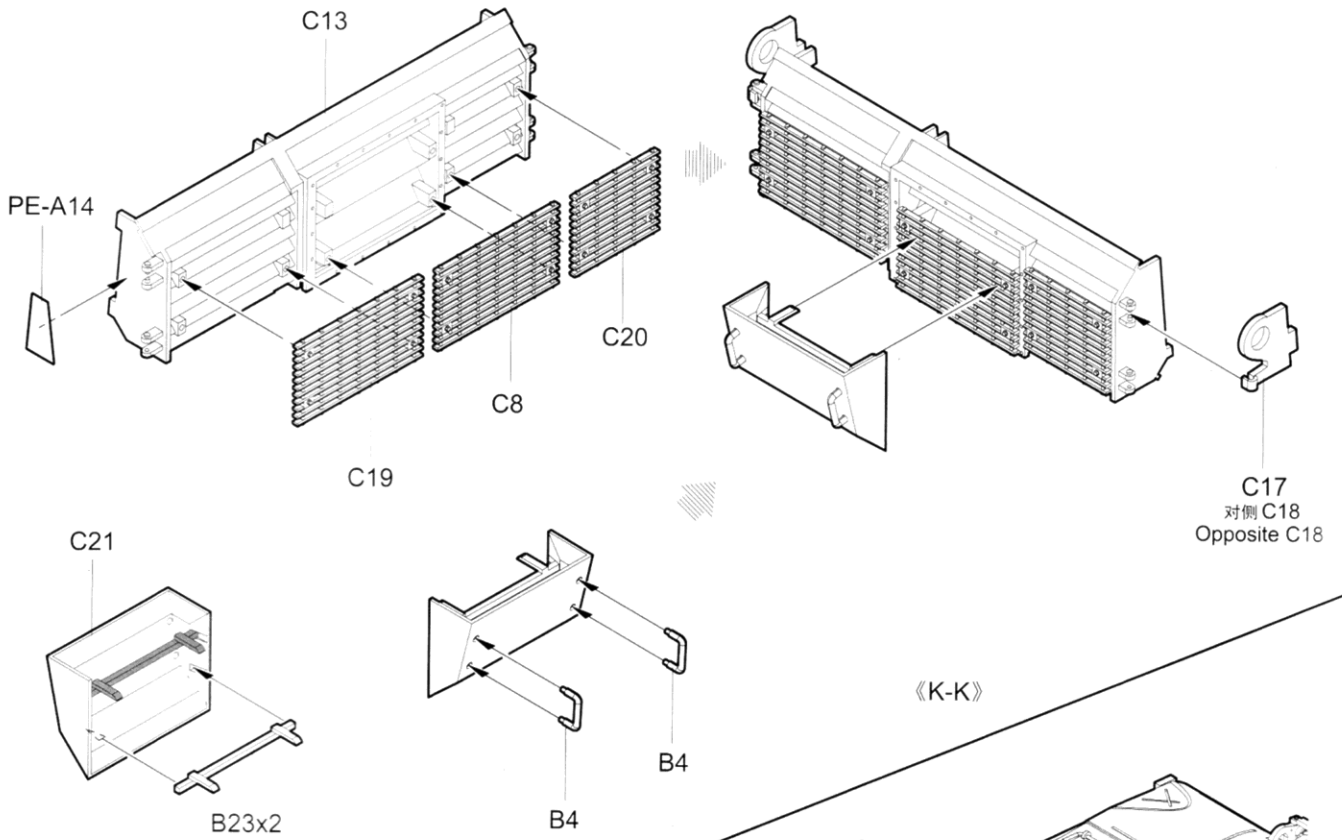
27



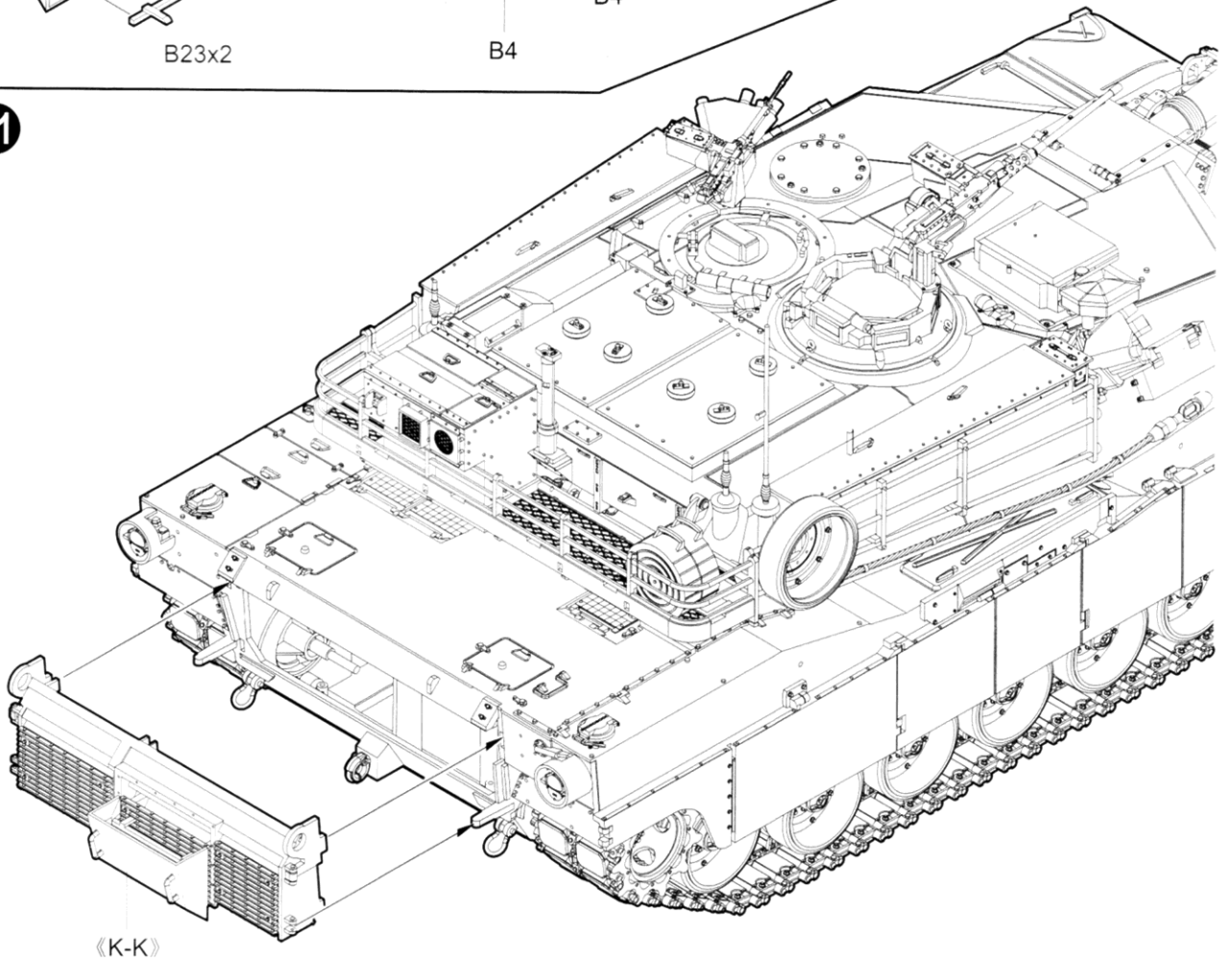




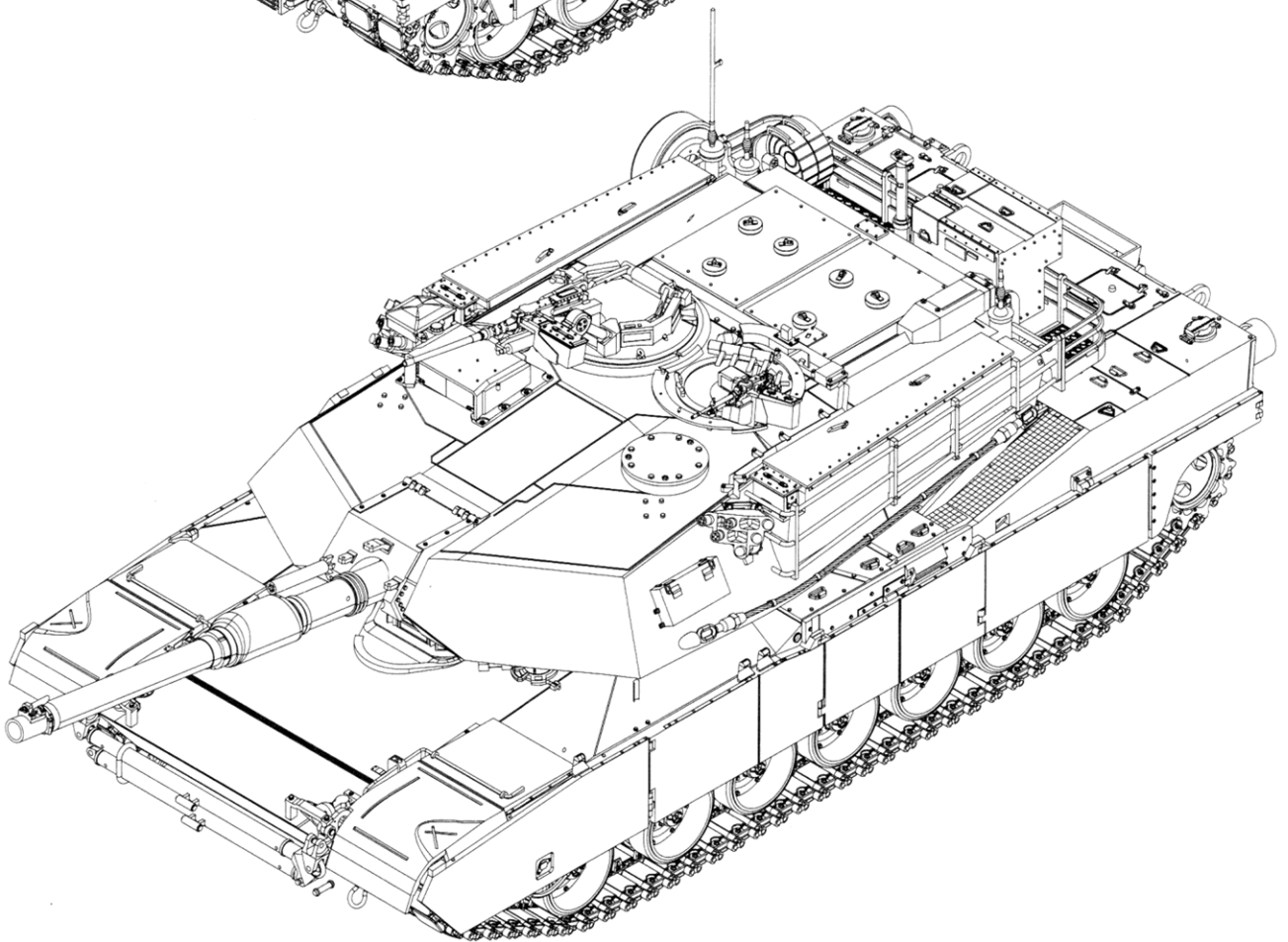
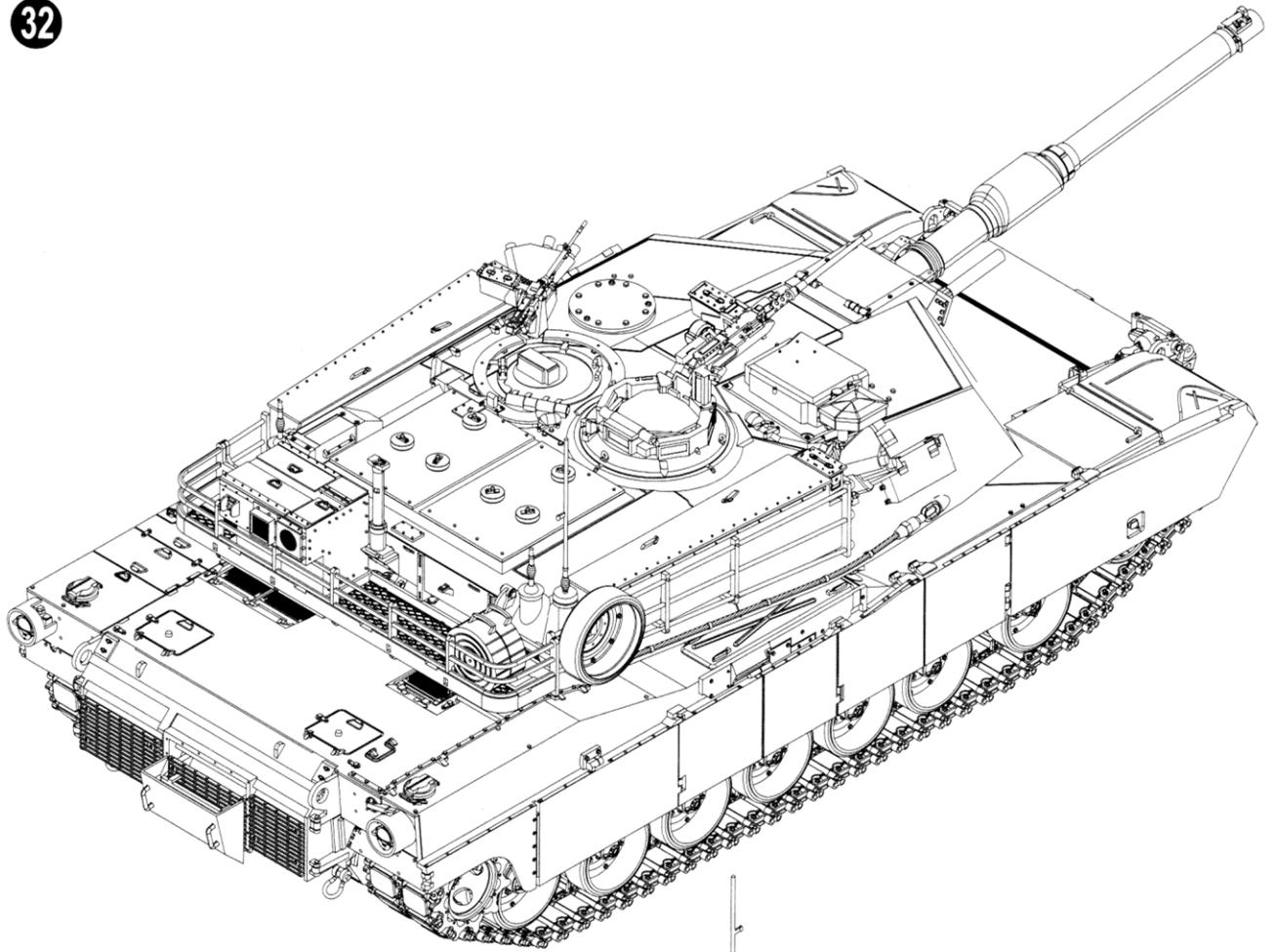
30



31



32



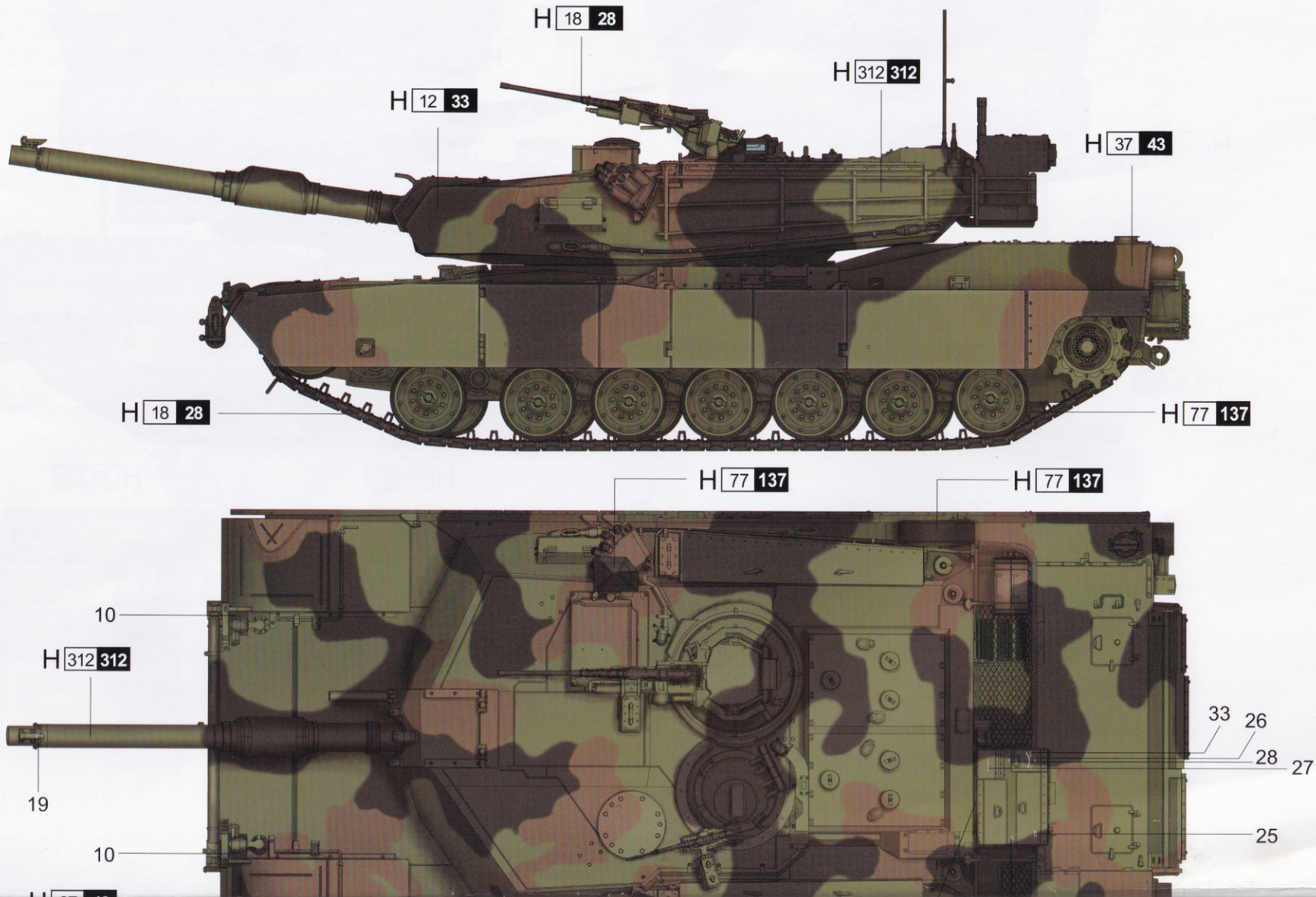
# 涂装同标贴指示

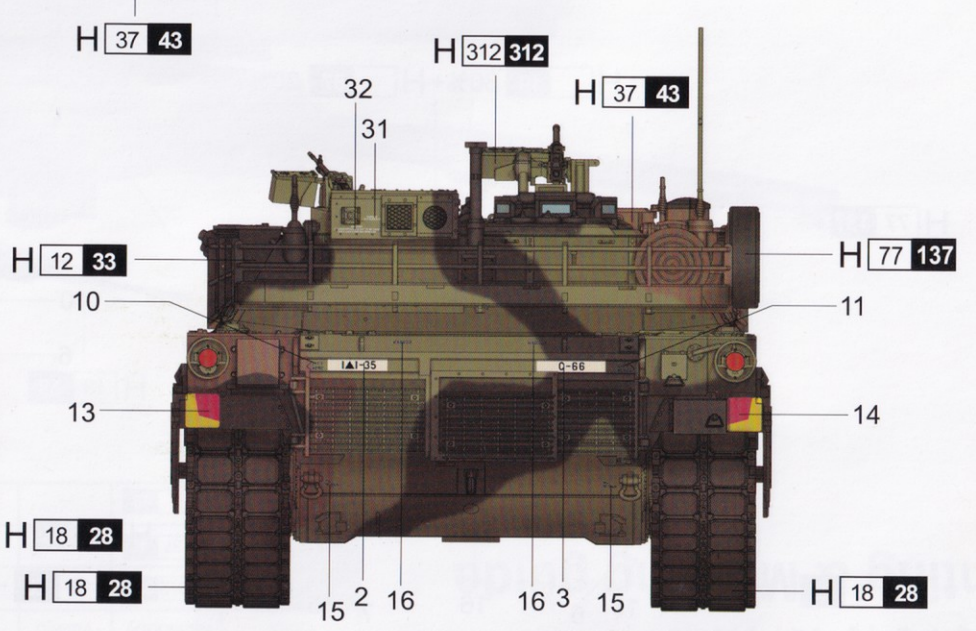
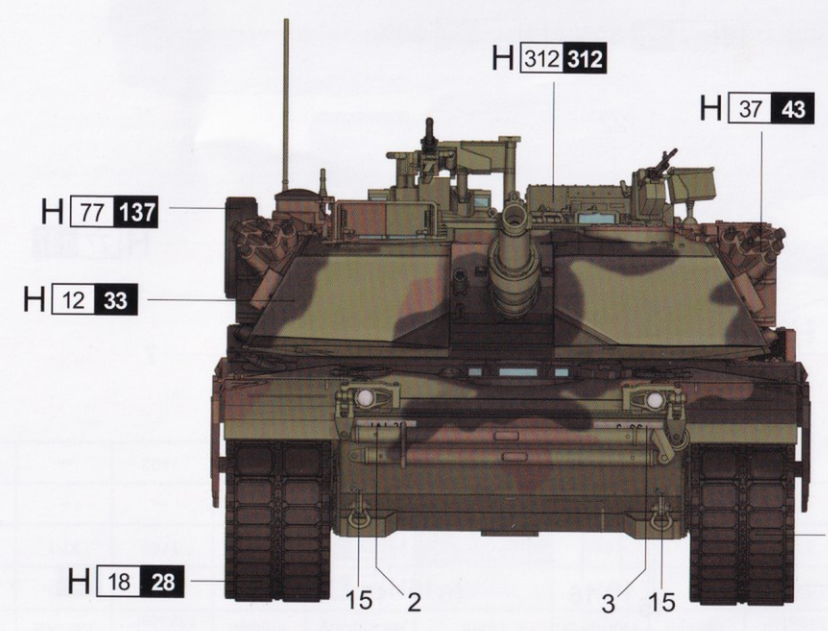
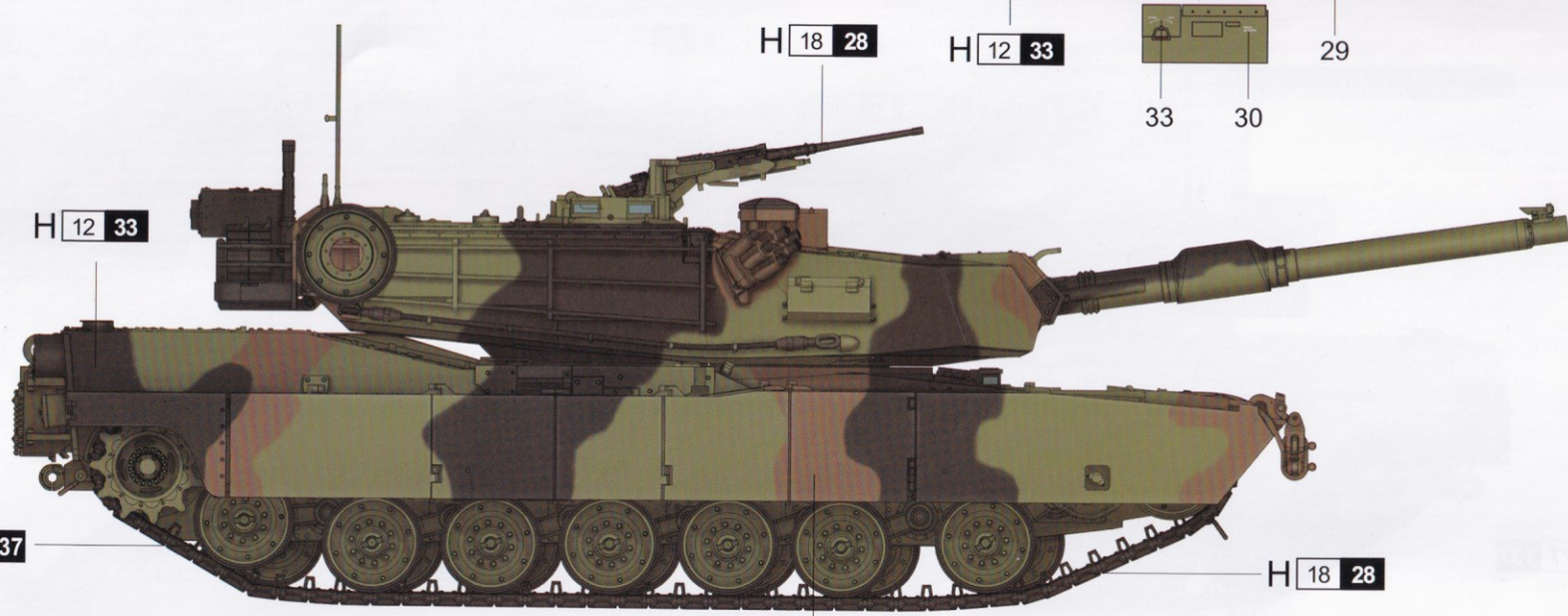
## Painting & Marking guide

**A**

### PAINT REFERENCE COLOUR

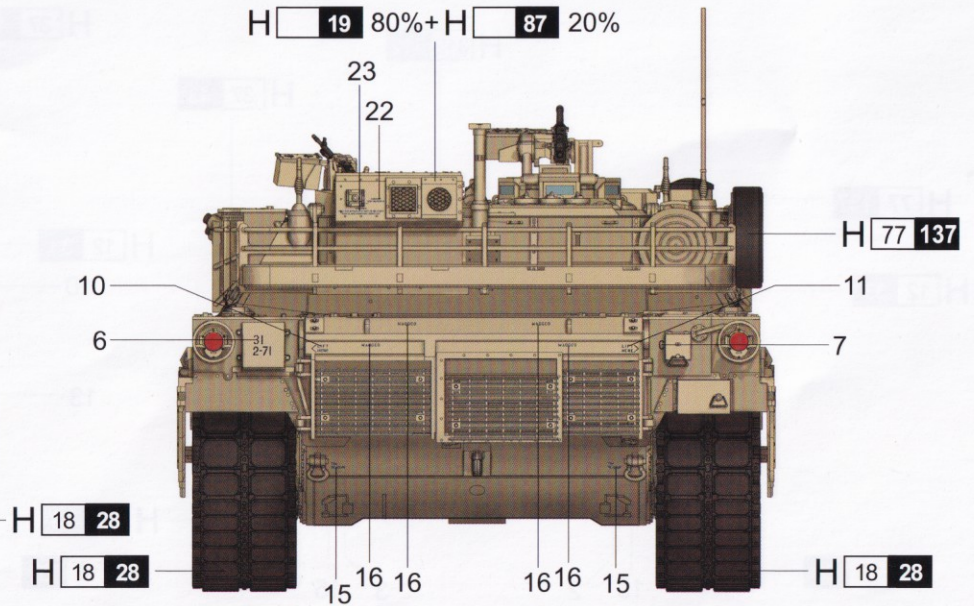
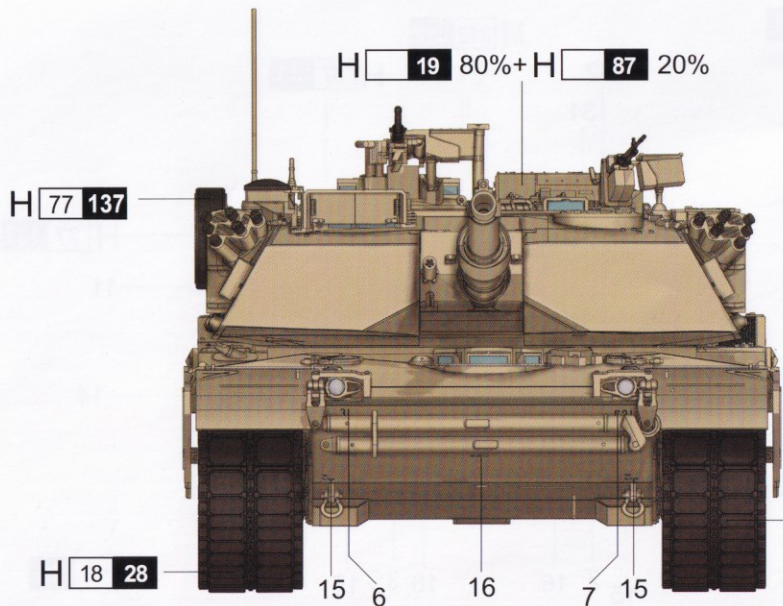
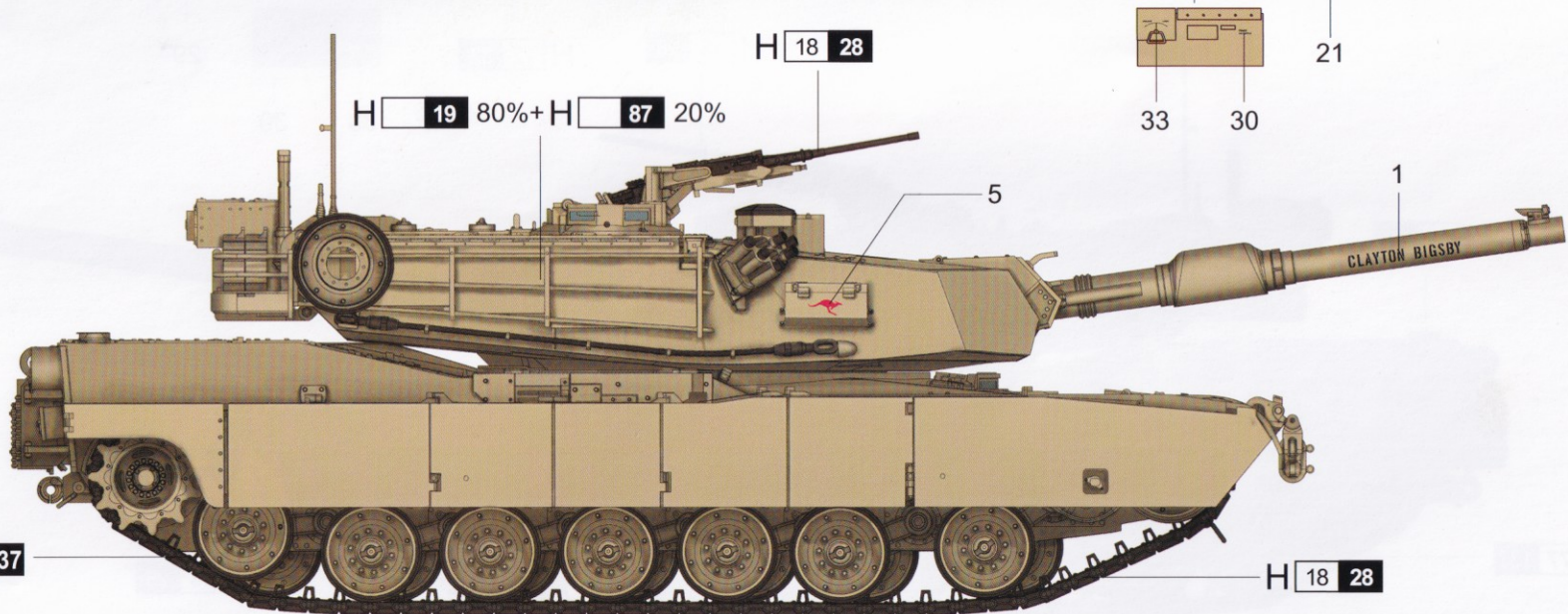
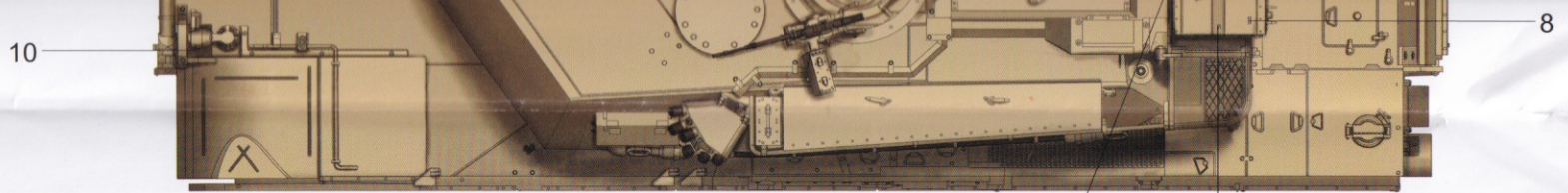
Color	Mr.Hobby	Vallejo	Model Master	Tamiya	Humbrol	Color	Mr.Hobby	Vallejo	Model Master	Tamiya	Humbrol
Light Green 绿色	H 312 312	-	1716	-	120	浅奶油黄	H 87	-	-	-	-
Wood Brown 木棕色	H 37 43	983	1701	-	186	Flat Black 消光黑	H 12 33	950	1749	XF1	33
Sandy Brown 沙褐色	H 19	-	-	-	-	Tire Black 胎黑色	H 77 137	-	-	-	-
						Steel 黑铁色	H 18 28	864	1402	-	-





H X AQUEOUS HOBBY COLOR      X Mr. COLOR





H  AQUEOUS HOBBY COLOR     Mr. COLOR