

# German 8.8cm Panzerjägerkanone PAK43

## 德国88毫米PAK43反坦克炮

### READ BEFORE ASSEMBLY:

### 装配之前仔细阅读

- Study and understand these instructions thoroughly before beginning assembly
- When needed, remove photo-etch parts carefully using a modeling knife or photo etch sprue cutter, being careful not to damage or lose small parts.
- Take extra care in handling photo etch parts in order to avoid injury
- Apply instant cement sparingly to photo etch parts where instructed
- Tools recommended(not included in kit):Plastic and instant cements, sprue cutters,long nose pliers,modeling knife, small files, tweezers, pin vise & scissors. Soft cloth and sandpaper will also assist in construction
- Glue and paint are not included in the kit. Use plastic cement and hobby paints only. Color guide for purchasing paint is included in the kit.

- 小心用模型锉刀锉平所有零件表面的注射浇口。
- 小心用刀片切下蚀刻片零件，不要遗失小零件。
- 用强力快干胶水粘合蚀刻片零件和金属轴。过量快干胶水使用可能导致可动零件会粘住，小心涂胶。
- 取蚀刻片时应特别注意安全，防止利边划伤手指。
- 某些零件表面需贴上水贴纸，请选择在装配的同时进行。
- 推荐模型工具(自备)：胶水，水口剪刀，长咀钳，刀片，锉刀，镊子，钳，钻，剪刀，瞬间快干胶。
- 软布同砂纸同时也应该是必备工具。
- 请使用塑料胶水和油漆，模型内不含。



配重  
Weight



使用强力胶  
Cyanoacrylate glue



钻孔  
Make hole



切除  
Cut / Remove



贴纸  
Decal



锉平  
File / Sand



选择  
Option



不涂胶水  
No cement



弯曲  
Bend

### 水贴纸的使用:

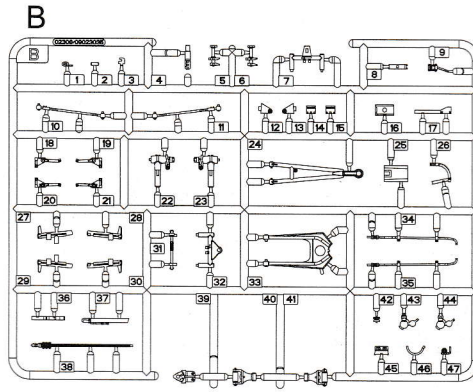
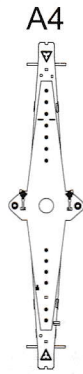
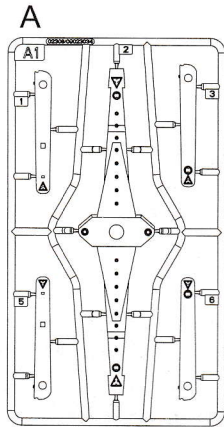
- 1.从水贴上剪下印花;
- 2.将印花放入温水中浸10秒, 然后放在干净布上。
- 3.拿着印花纸板将印花移到模型上;
- 4.手指蘸水将印花移到适当的位置;
- 5.用软布轻压印花直至水干, 气泡消失

### DECAL APPLICATION

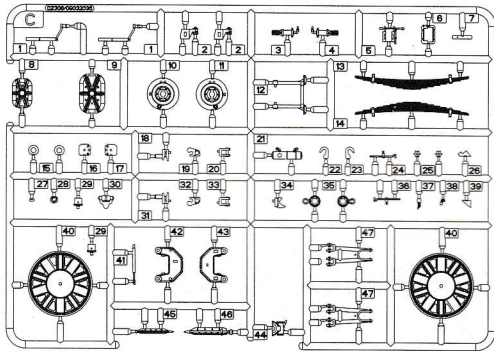
- 1.Cut decals from sheet as needed
- 2.Dip the decal in warm water for about 10 seconds and then place on soft clean cloth.
- 3.Hold the decal backing sheet edge and gently slide the decal onto the model in its proper position.

- 4.While still wet,decal can be adjusted for better fit on model by dampening it gently with your finger.
- 5.When placed in the proper position,gently press decal down with a soft cloth until excess water and air bubbles are gone.
- 6.Allow decal to dry completely before handling model

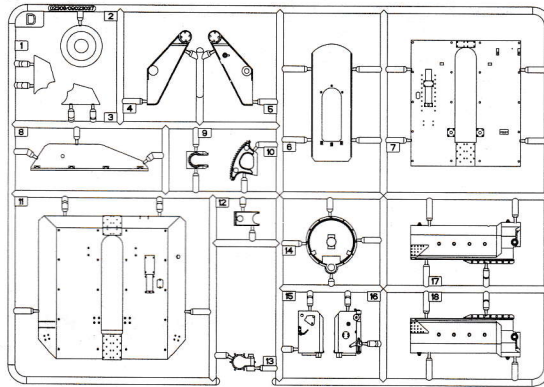
部品图  
Parts



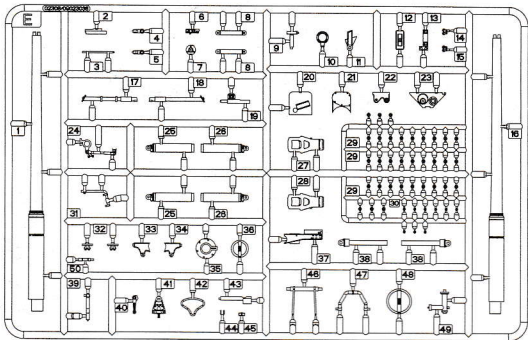
Cx2



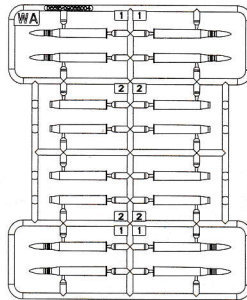
D



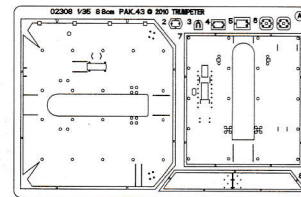
E



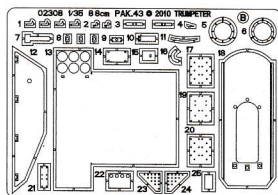
WA



《蚀刻片》-A  
Photo etched



《蚀刻片》-B  
Photo etched



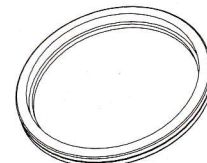
《蚀刻片》-C  
Photo etched



《铜管》  
Steel tube



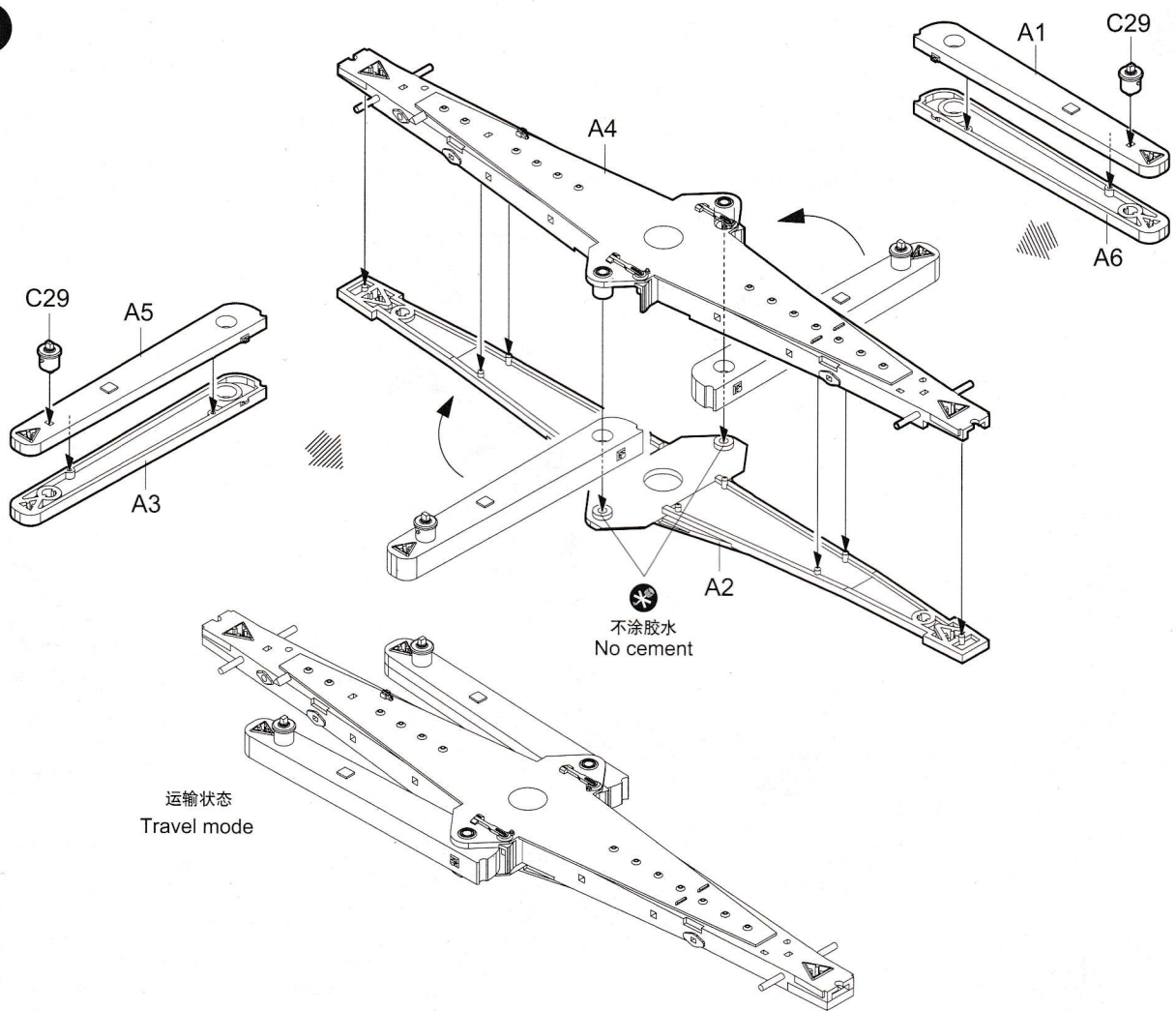
轮胎 x8  
Tyre



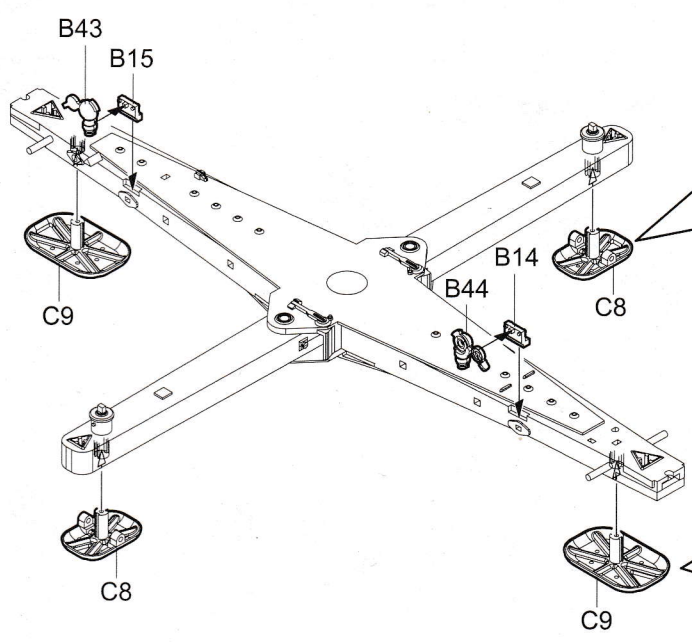
《金属炮管》  
Metal barrel



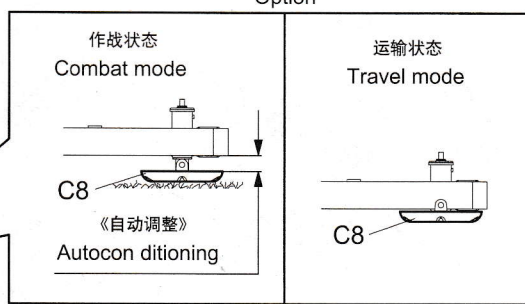
1



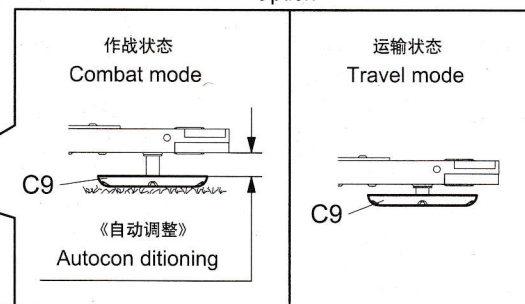
2



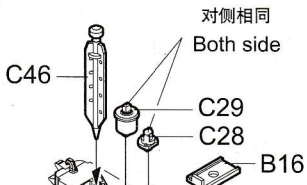
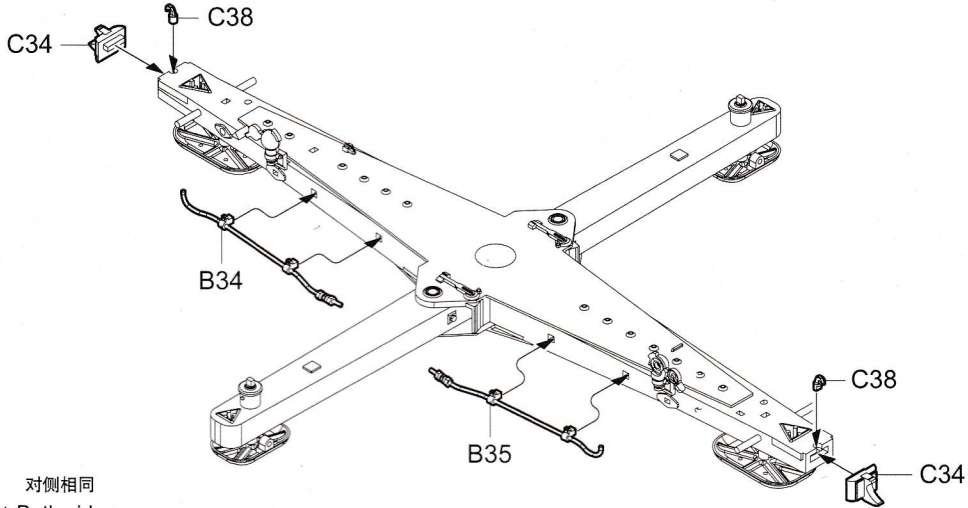
选择  
Option



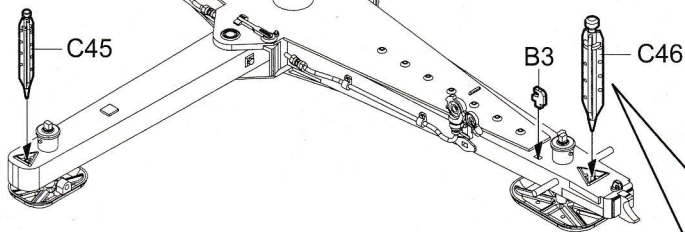
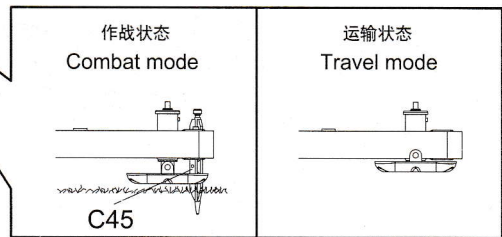
选择  
Option



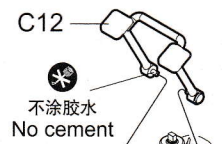
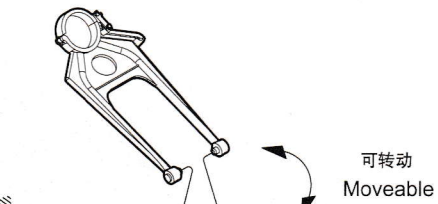
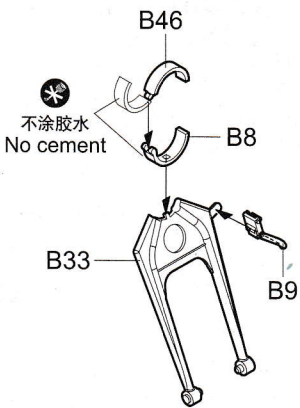
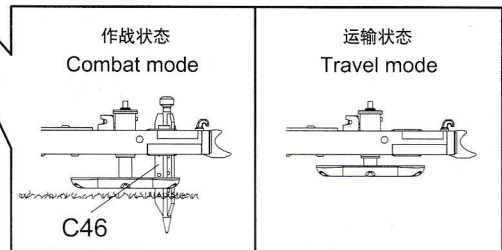
3



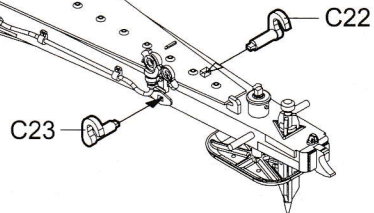
选择  
Option



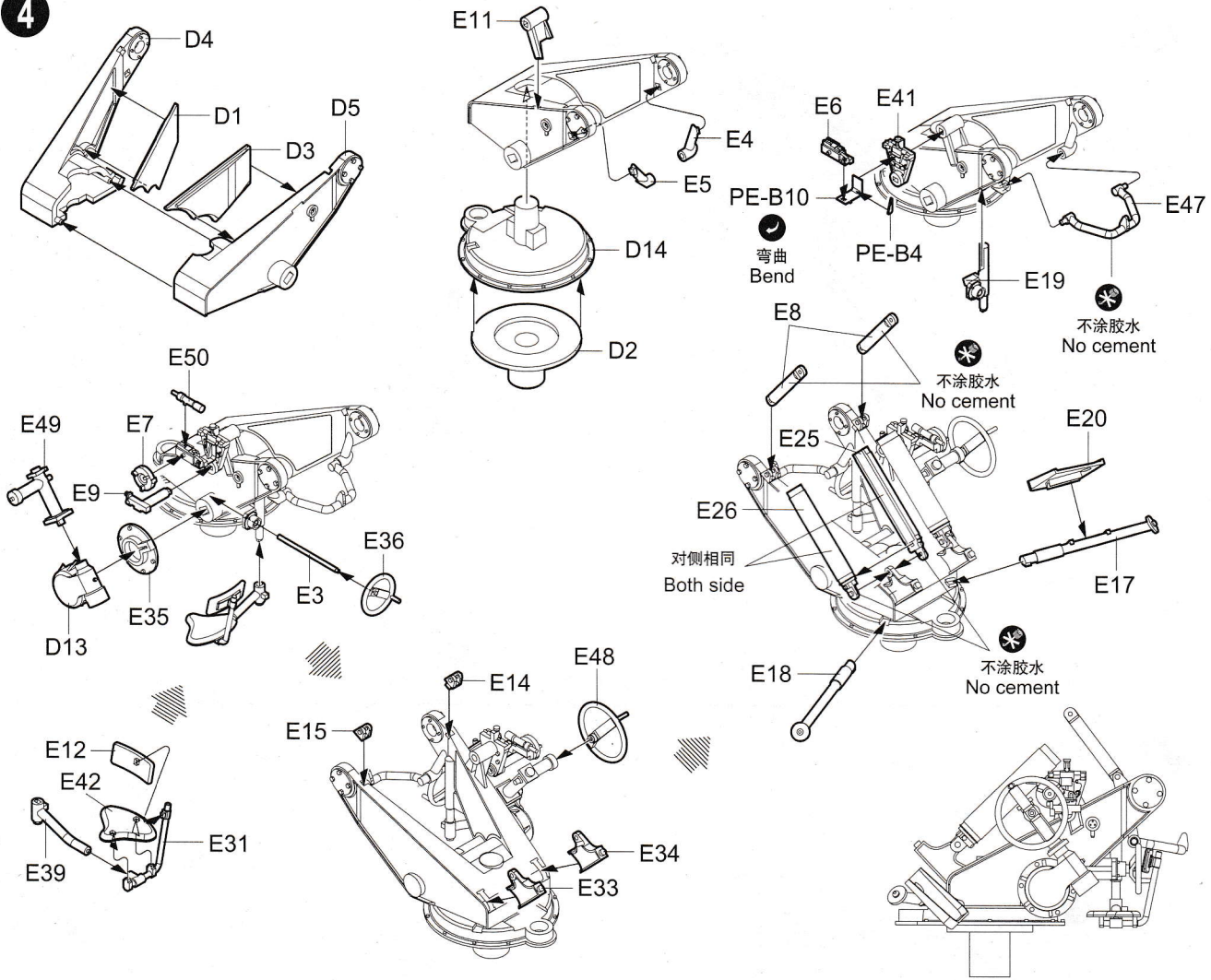
选择  
Option



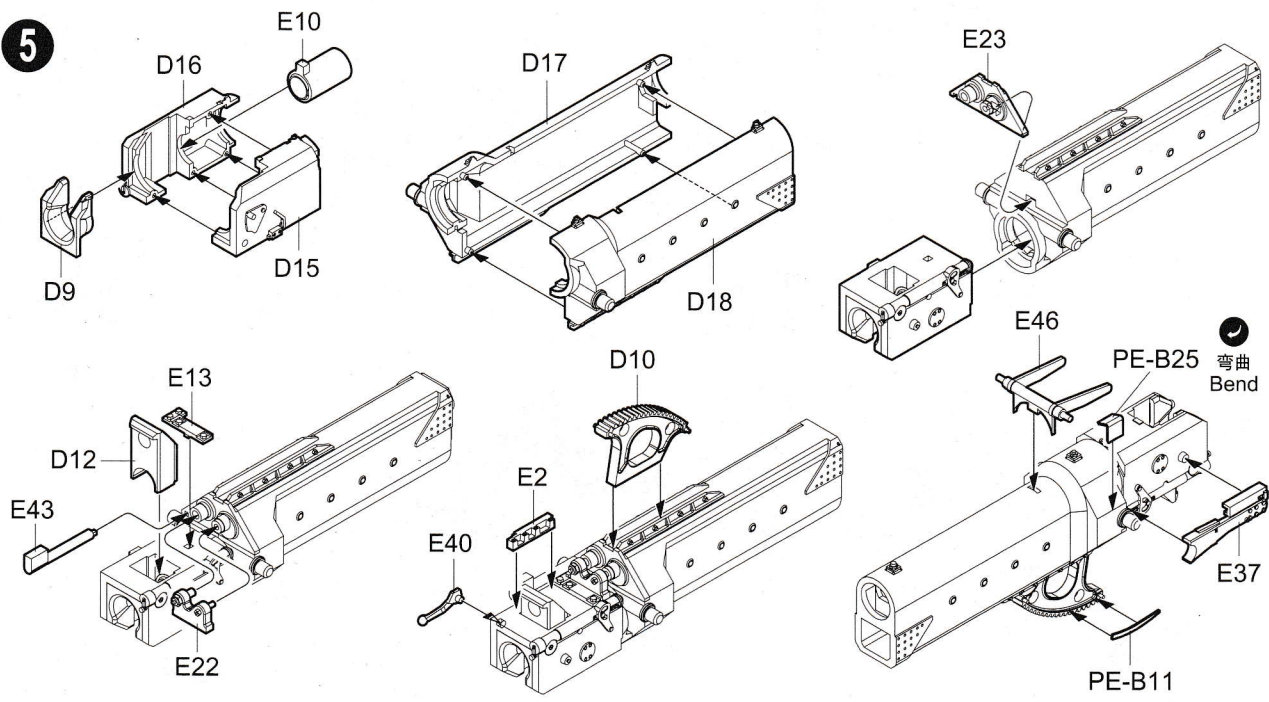
不涂胶水  
No cement



4



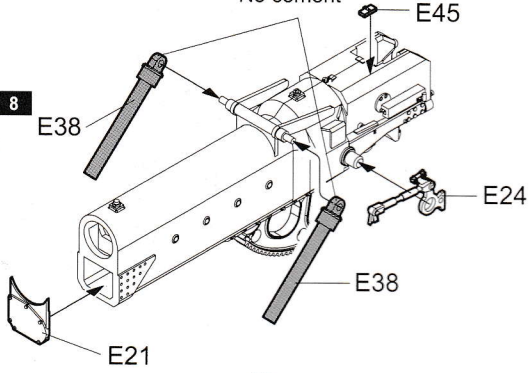
5



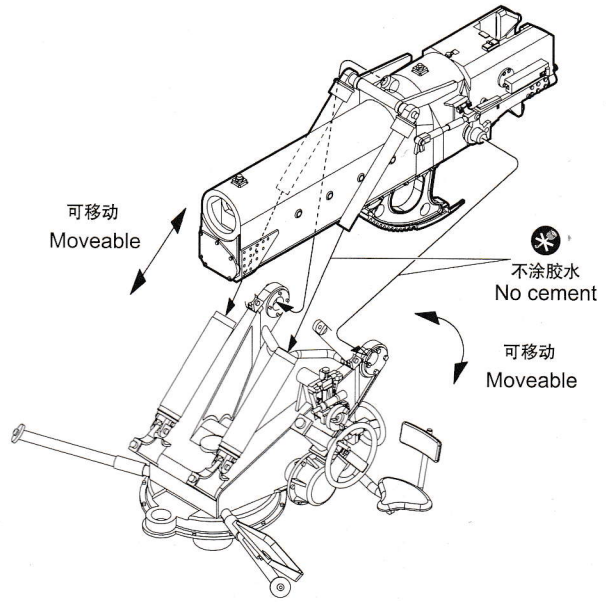
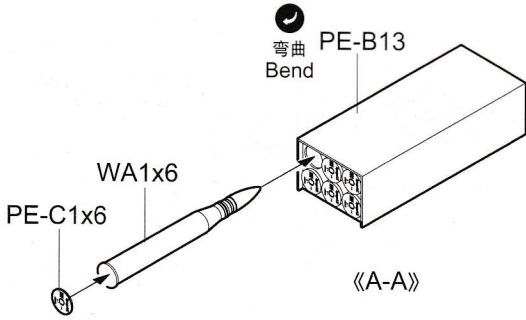
6

不涂胶水  
No cement

H 8 8  
银色  
Silver

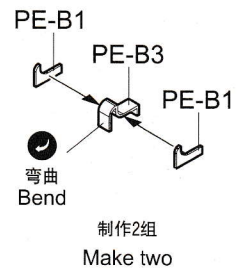
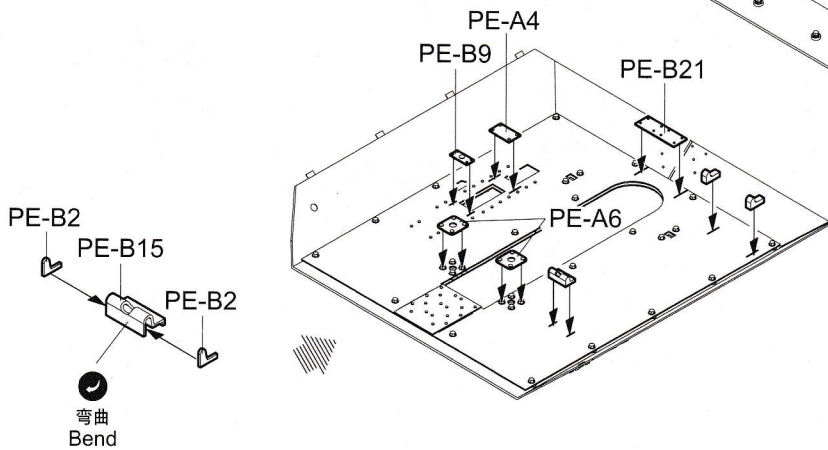
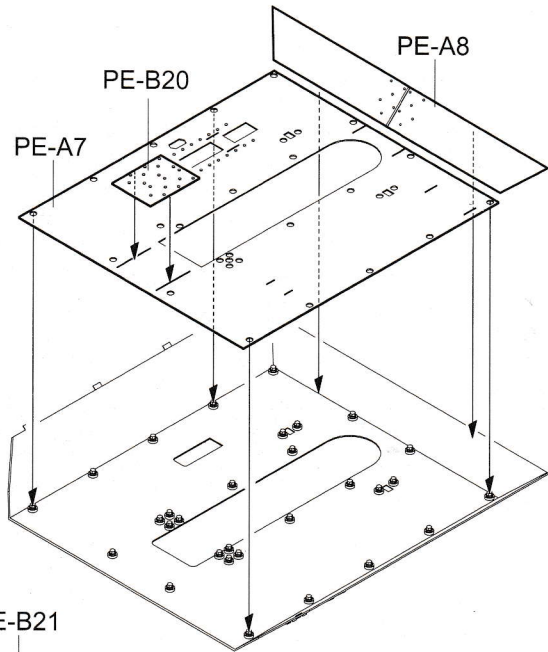
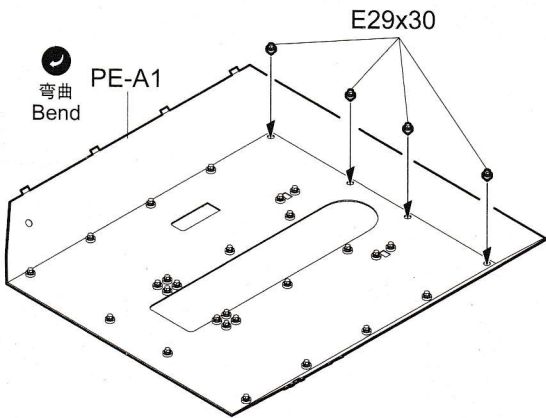


弯曲  
Bend



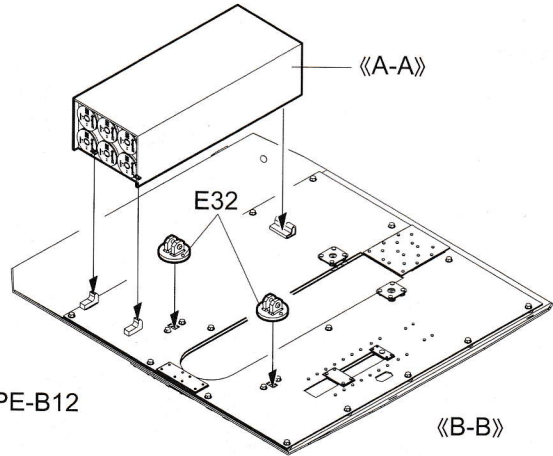
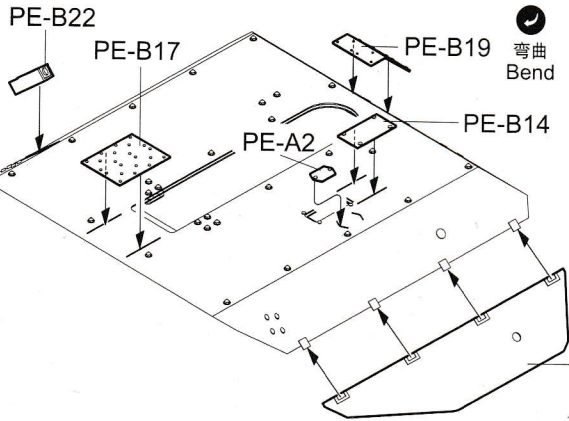
7

?  
选择  
Option



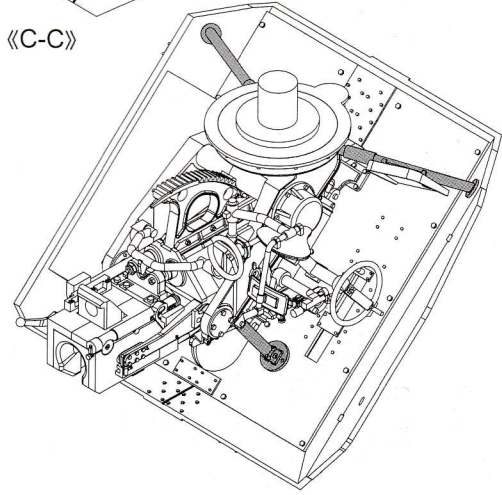
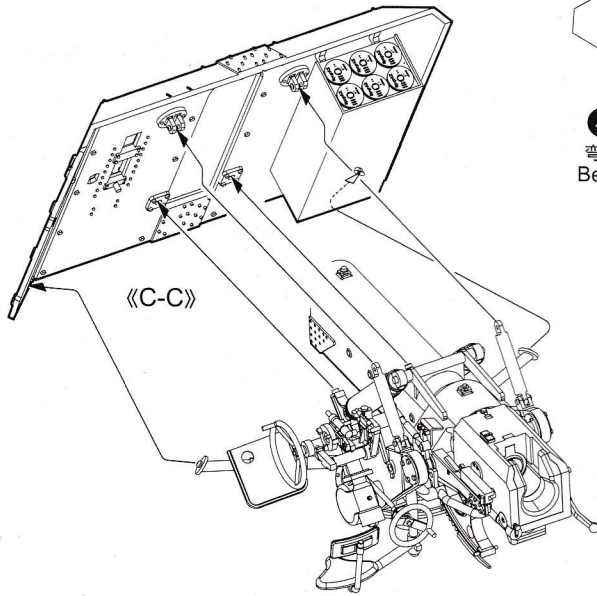
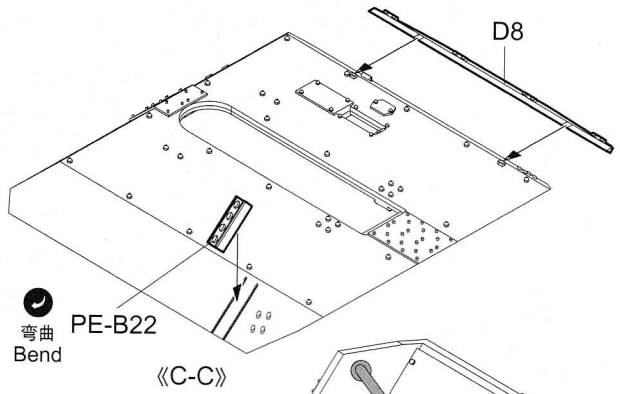
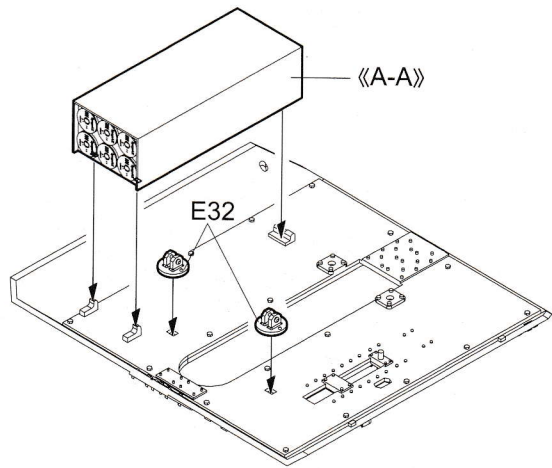
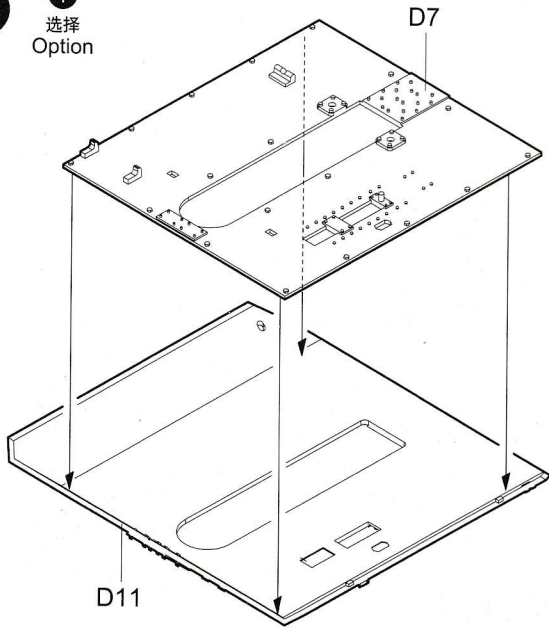
8

弯曲  
Bend



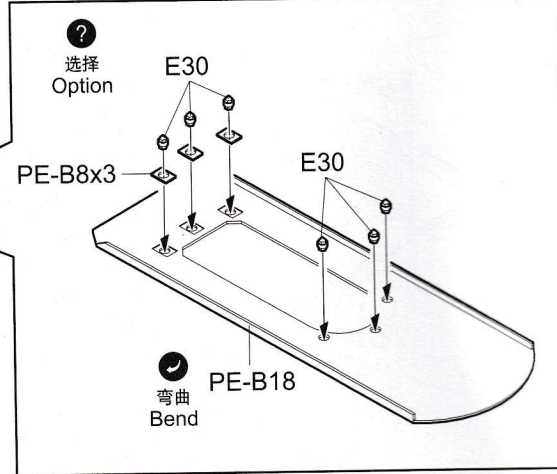
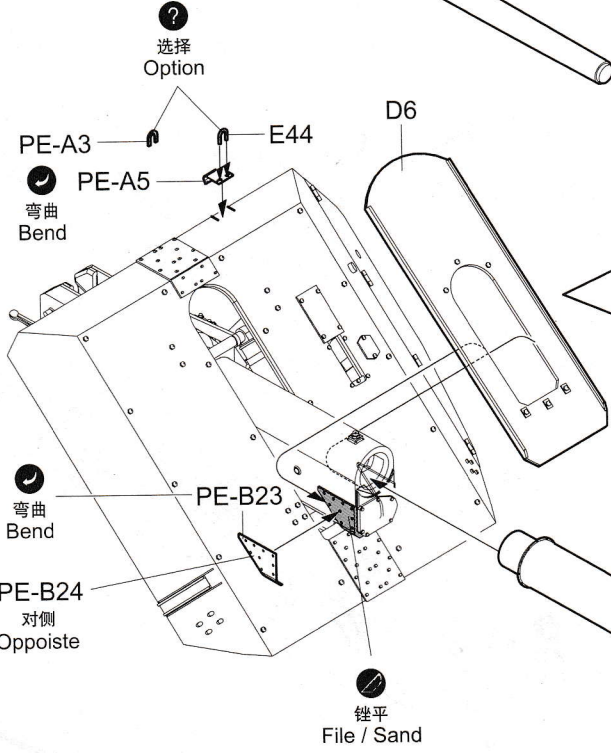
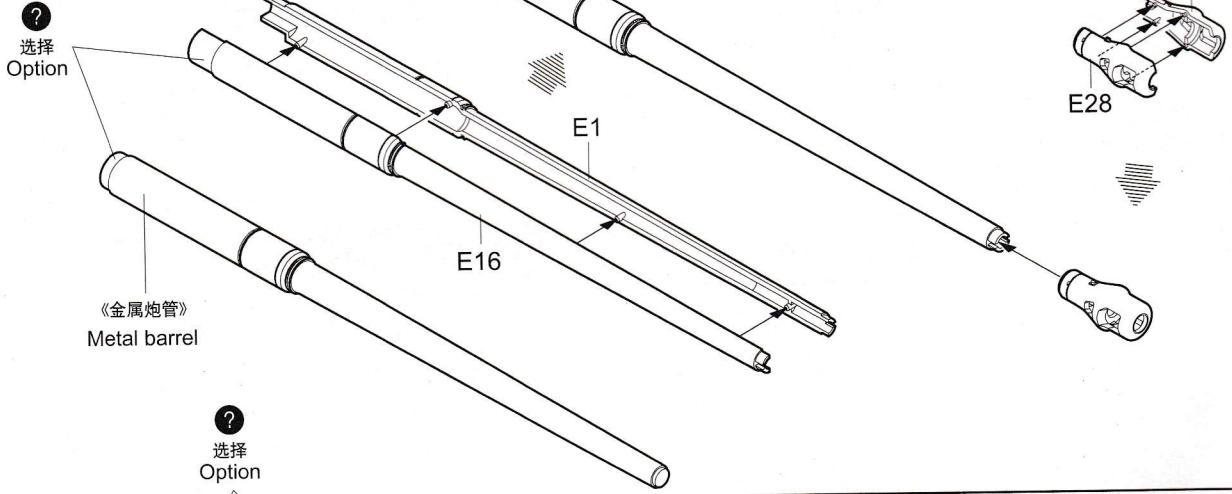
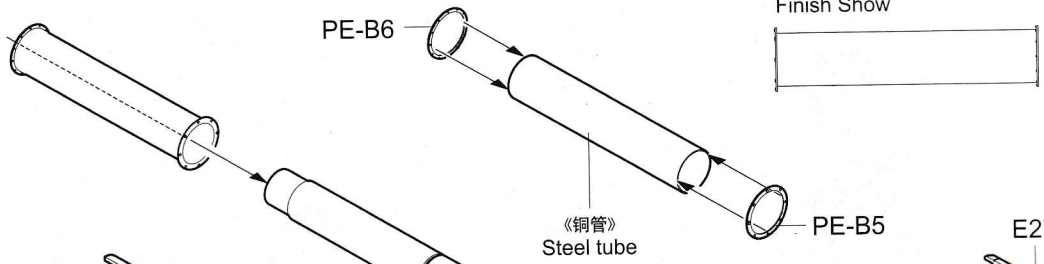
9

选择  
Option

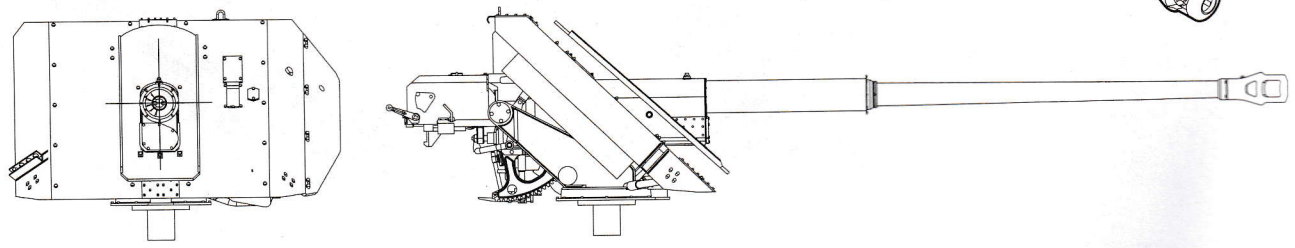


10

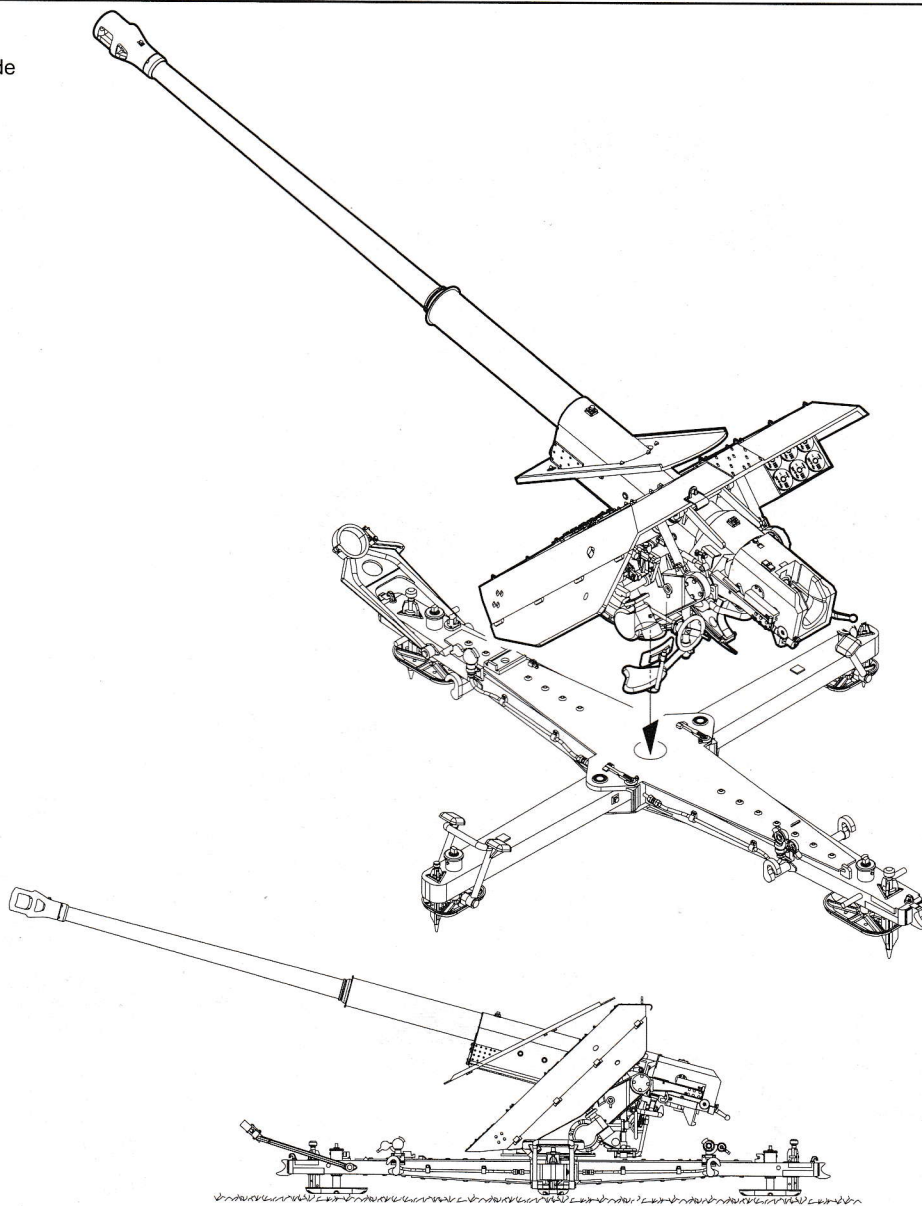
完成示意图  
Finish Show



完成示意图  
Finish Show

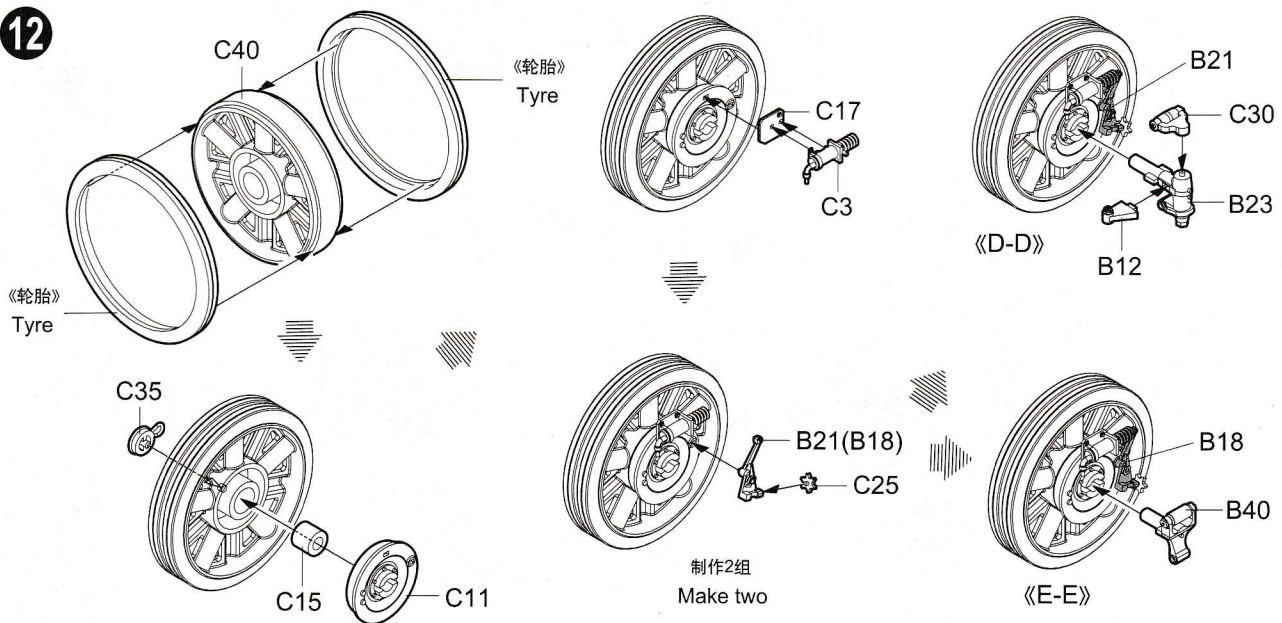


**11** 作战状态  
Combat mode

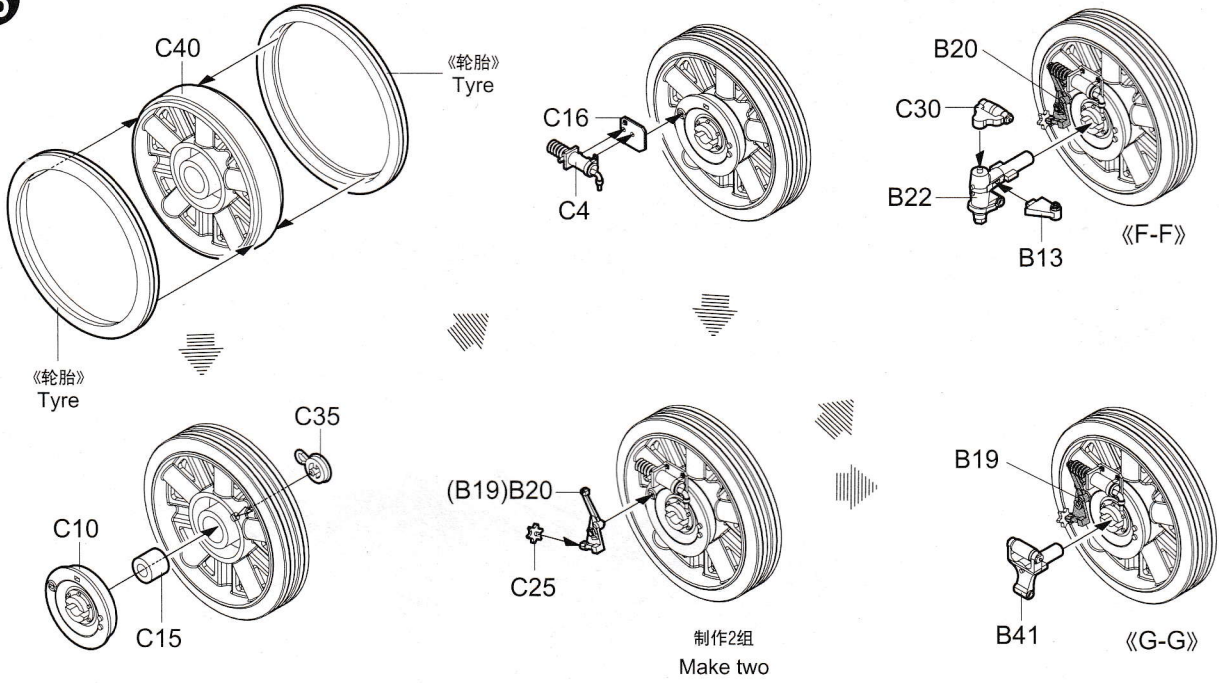


完成示意图  
Finish Show

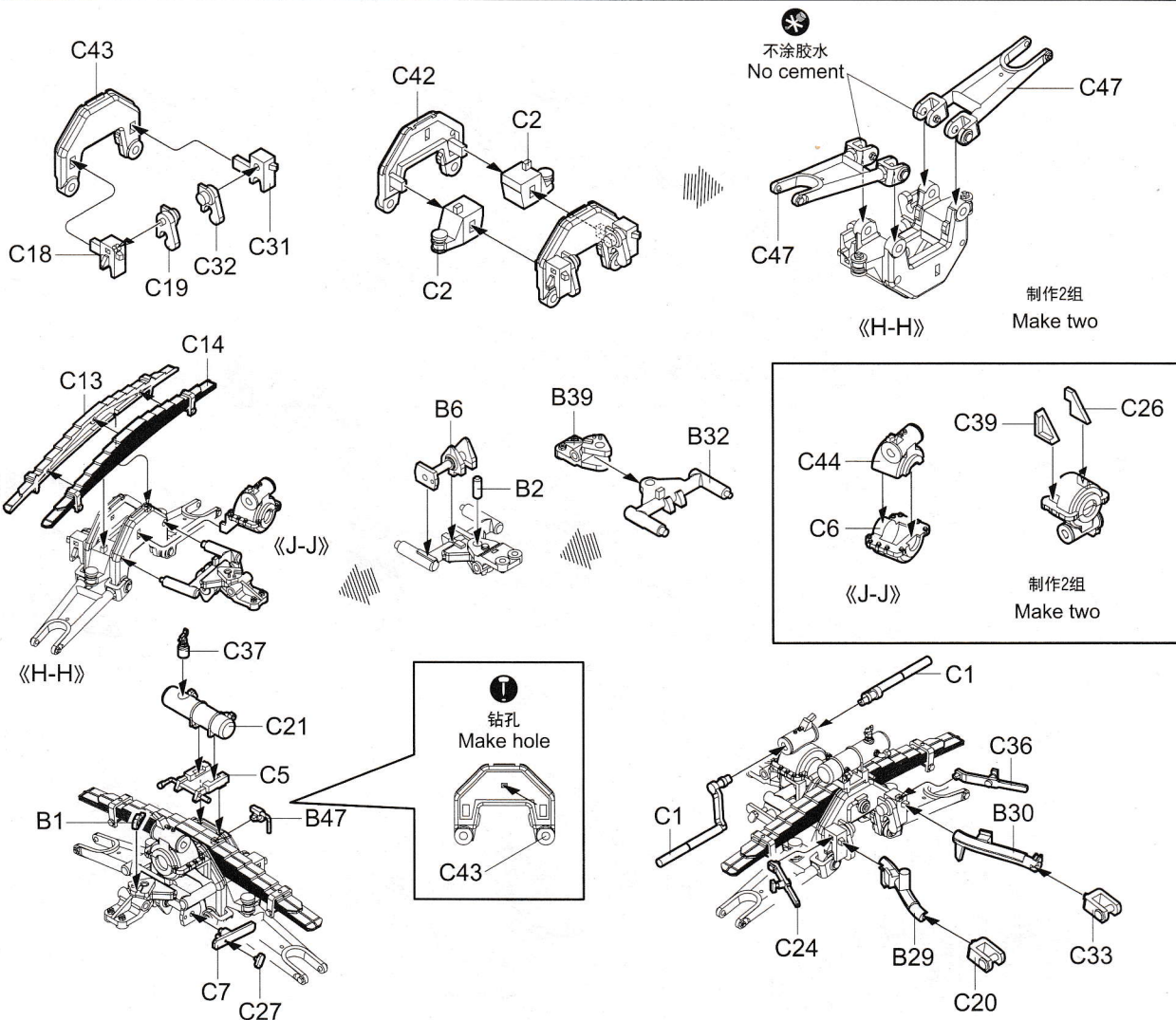
**12**



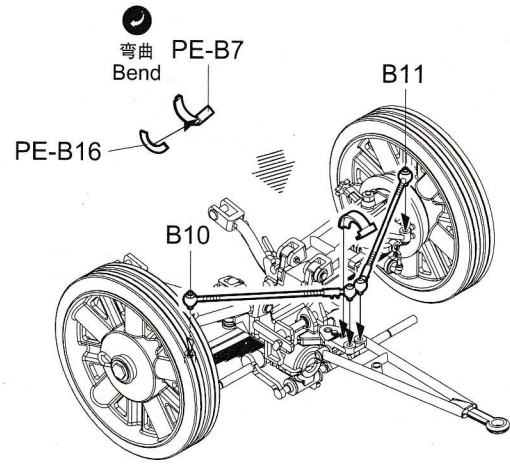
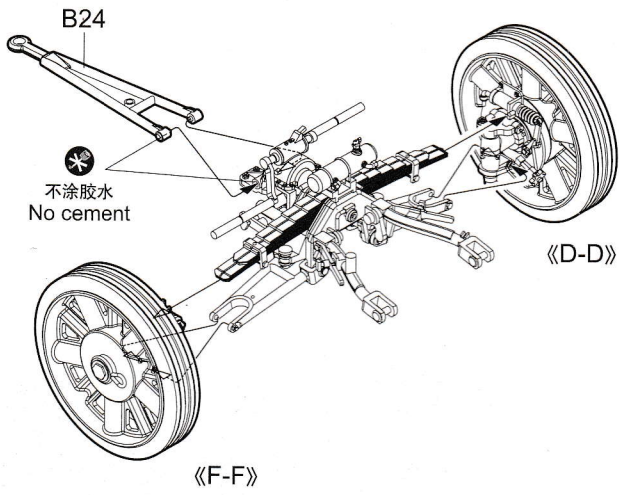
13



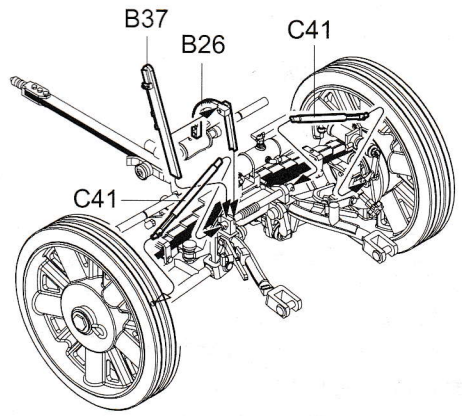
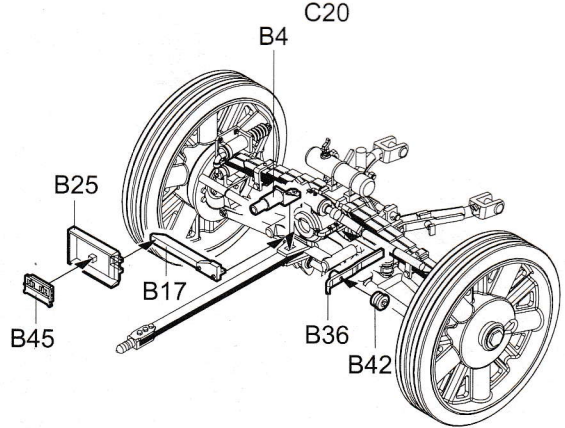
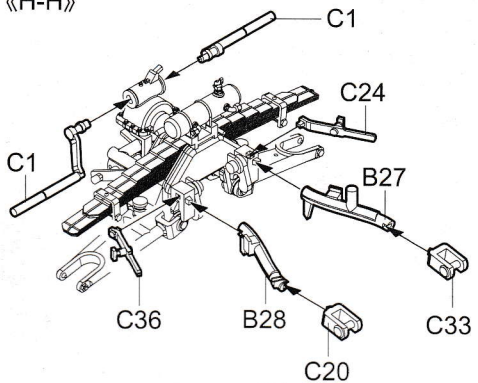
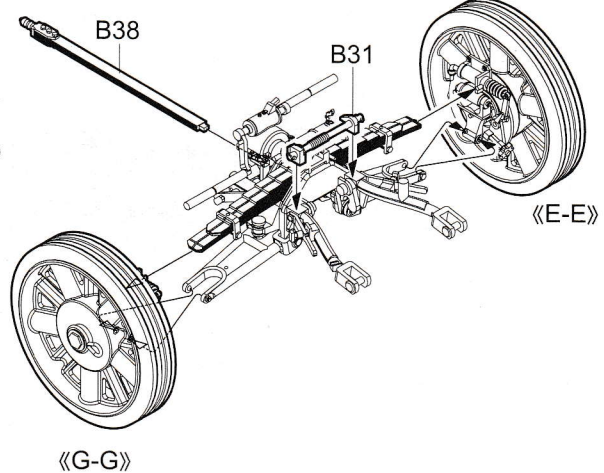
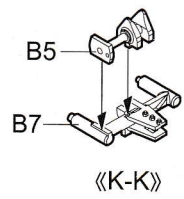
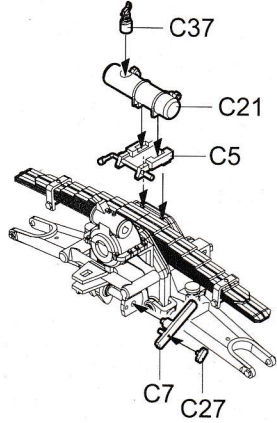
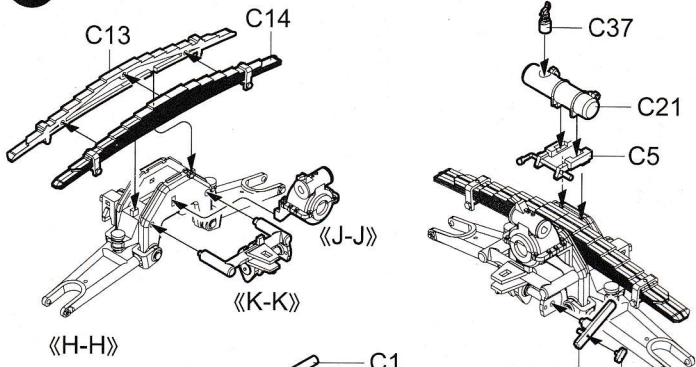
14



15

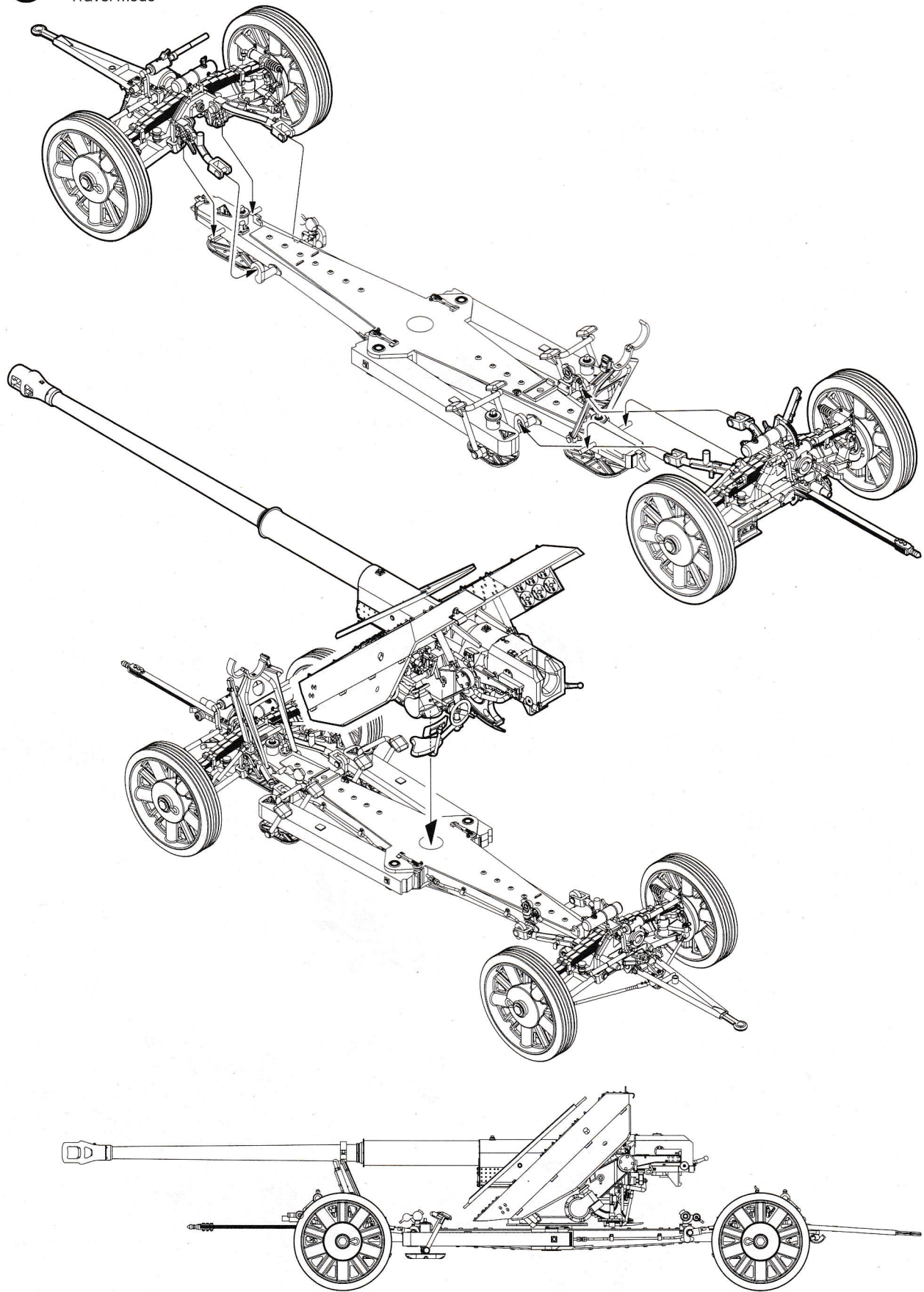


16



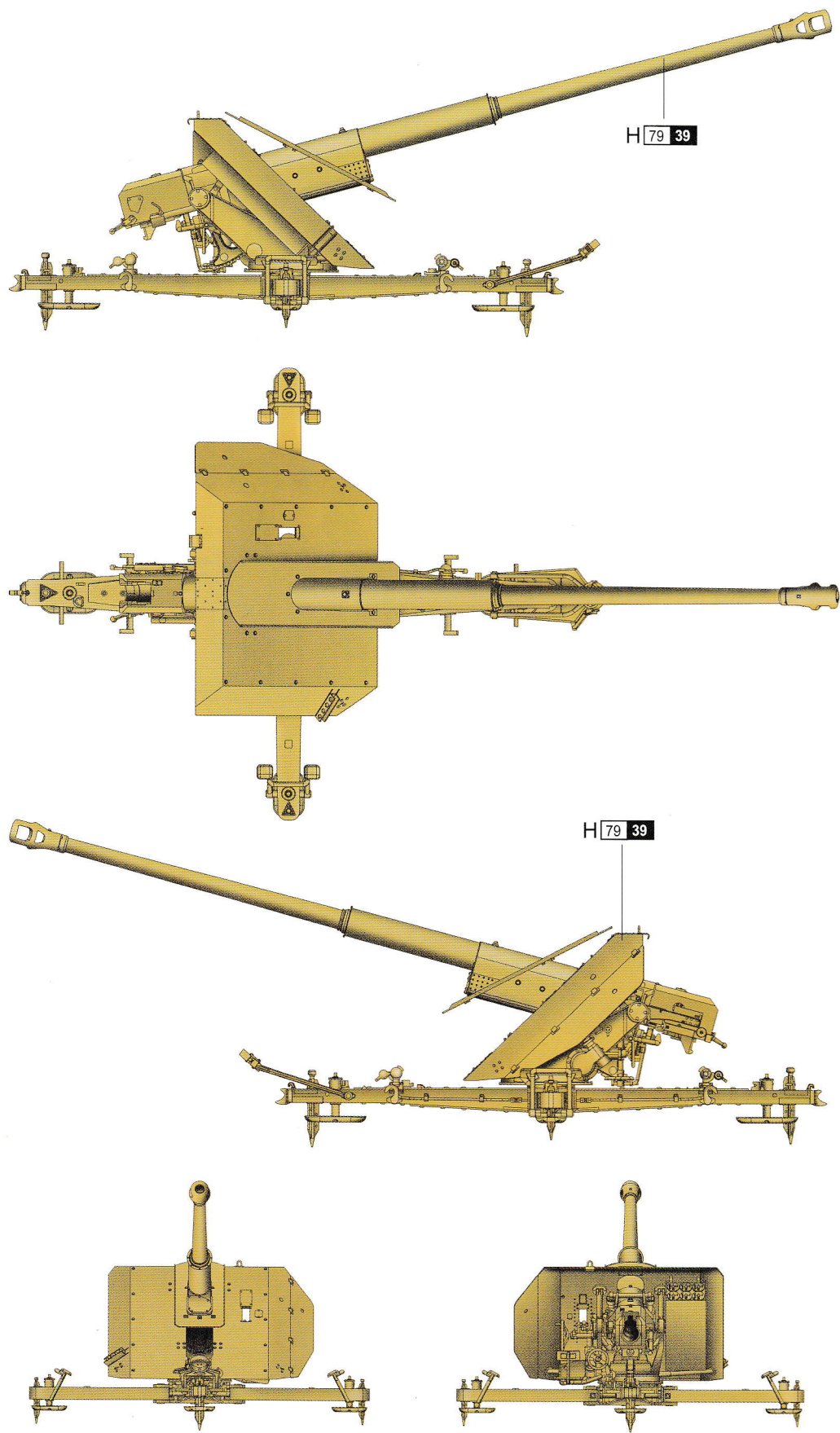
17

运输状态  
Travel mode



# 涂装同标贴指示 Painting & Marking guide

**B**



☒ AQUEOUS HOBBY COLOR    ■ Mr. COLOR

02308 1/35 German 8.8cm Panzerjägerkanone PAK43

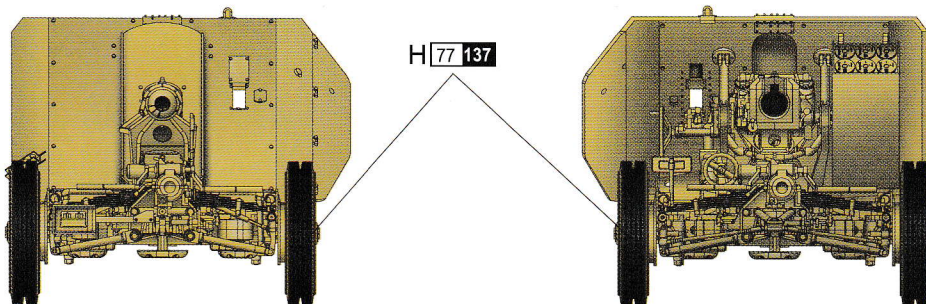
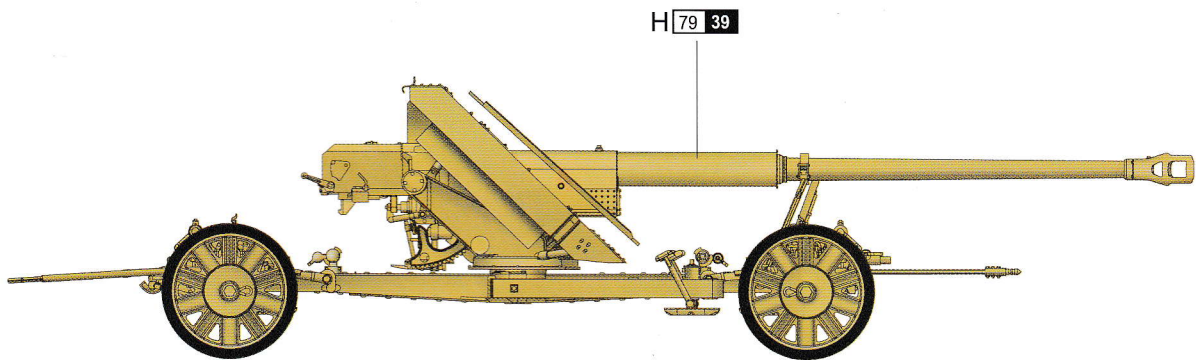
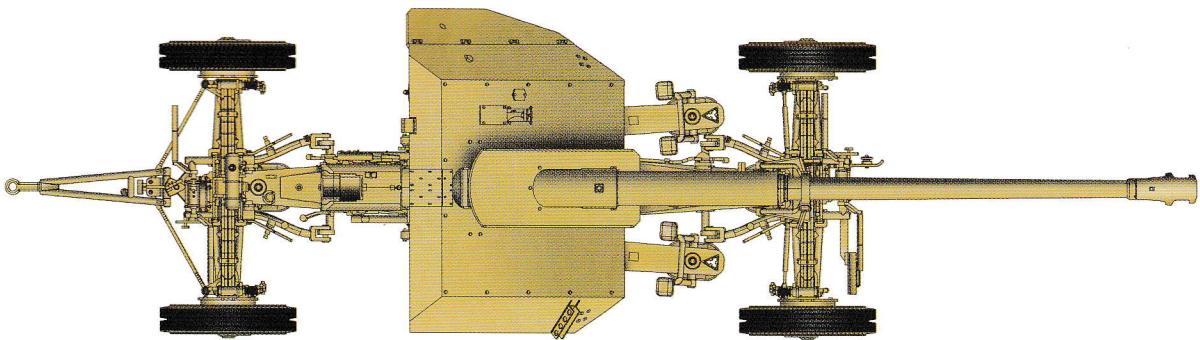
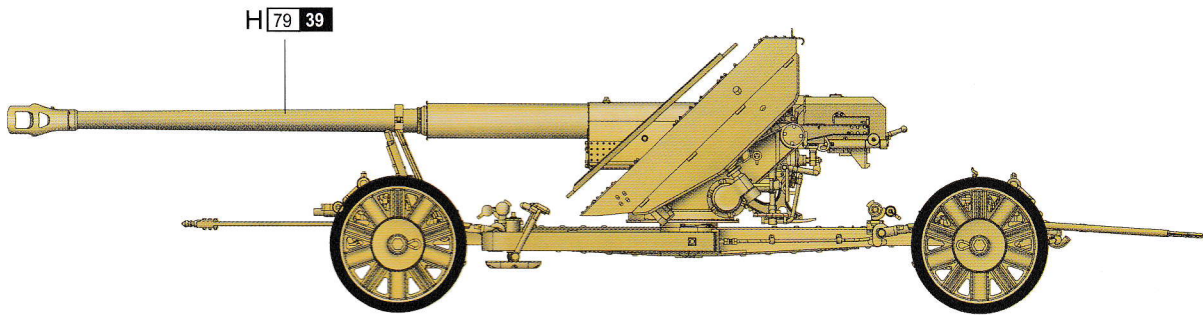
# 涂装同标贴指示

## Painting & Marking guide

### PAINT REFERENCE COLOUR

Color	Mr.Hobby	Vallejo	Model Master	Tamiya	Humbrol
Sandy Brown 砂黄色	H 79 39	824	—	XF59	93
Tire Black 胎黑色	H 77 137	—	—	—	—

**A**



H 79 39 AQUEOUS HOBBY COLOR

■ Mr. COLOR