

Flakpanther w/8.8cm Flak 41

“黑豹”防空坦克(搭载Flak41型88毫米炮)

READ BEFORE ASSEMBLY:

- Study and understand these instructions thoroughly before beginning assembly
- When needed, remove photo-etch parts carefully using a modeling knife or photo etch sprue cutter, being careful not to damage or lose small parts.
- Take extra care in handling photo etch parts in order to avoid injury
- Apply instant cement sparingly to photo etch parts where instructed
- Tools recommended(not included in kit):Plastic and instant cements, sprue cutters,long nose pliers,modeling knife, small files, tweezers, pin vise & scissors. Soft cloth and sandpaper will also assist in construction
- Glue and paint are not included in the kit. Use plastic cement and hobby paints only. Color guide for purchasing paint is included in the kit.

装配之前仔细阅读

- 小心用模型锉刀锉平所有零件表面的注射浇口。
- 小心用刀片切下蚀刻片零件，不要遗失小零件。
- 用强力快干胶水粘合蚀刻片零件和金属轴。过量快干胶水使用可能导致可动零件会粘住，小心涂胶。
- 取蚀刻片时应特别注意安全，防止利边划伤手指。
- 某些零件表面需贴上水贴纸，请选择在装配的同时进行。
- 推荐模型工具(自备)：胶水，水口剪刀，长咀钳，刀片，锉刀，镊子，钳，钻，剪刀，瞬间快干胶。
- 软布同砂纸同时也是所需工具。
- 请使用塑料胶水和油漆，模型内不含。



配重
Weight



使用强力胶
Cyanoacrylate glue



钻孔
Make hole



切除
Cut / Remove



贴纸
Decal



锉平
File / Sand



选择
Option



不涂胶水
No cement



弯曲
Bend



先装
Install it first

水贴纸的使用:

- 1.从水贴纸上剪下印花;
- 2.将印花放入温水中浸10秒, 然后放在干净布上。
- 3.拿着印花纸板将印花移到模型上;
- 4.手指蘸水将印花移到适当的位置;
- 5.用软布轻压印花直至水干, 气泡消失

DECAL APPLICATION

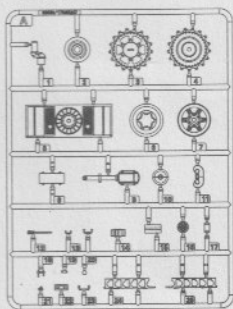
- 1.Cut decals from sheet as needed
- 2.Dip the decal in warm water for about 10 seconds and then place on soft clean cloth.
- 3.Hold the decal backing sheet edge and gently slide the decal onto the model in its proper position.

- 4.While still wet,decal can be adjusted for better fit on model by dampening it gently with your finger.
- 5.When placed in the proper position,gently press decal down with a soft cloth until excess water and air bubbles are gone.
- 6.Allow decal to dry completely before handling model

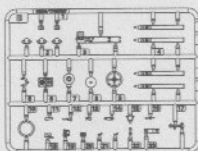
* 说明书中含有重要信息，应保留。 Please Keep instruction since it contains important information.

部品图
Parts

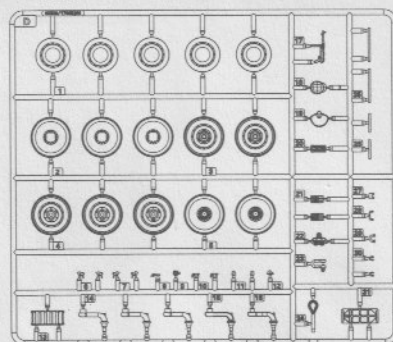
Ax2



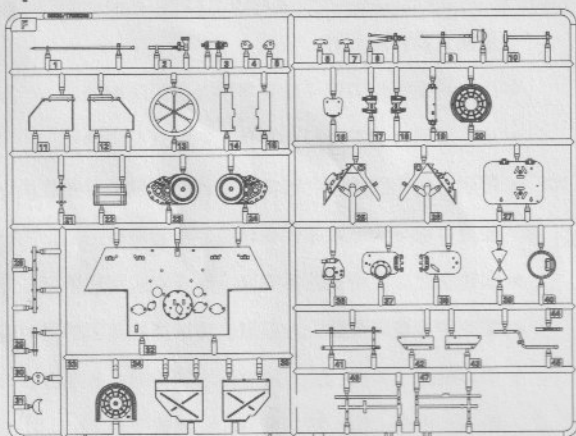
Bx2



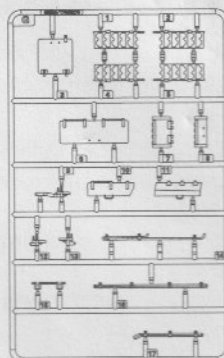
Dx4



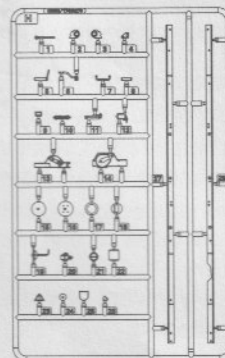
F



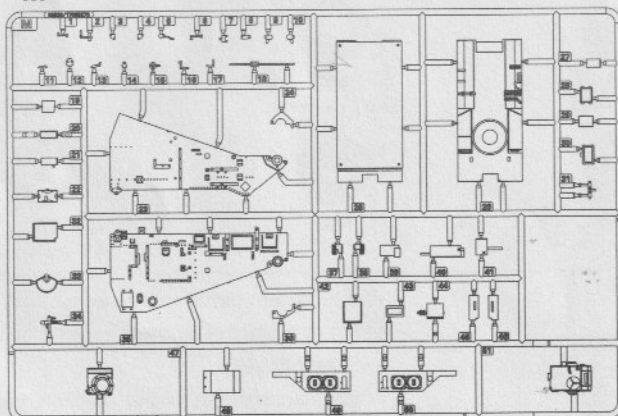
G



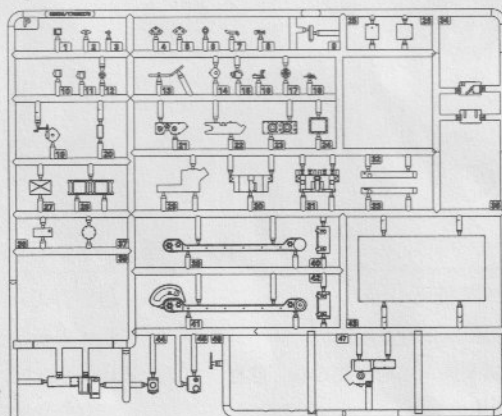
H



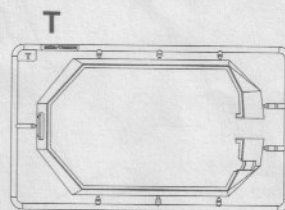
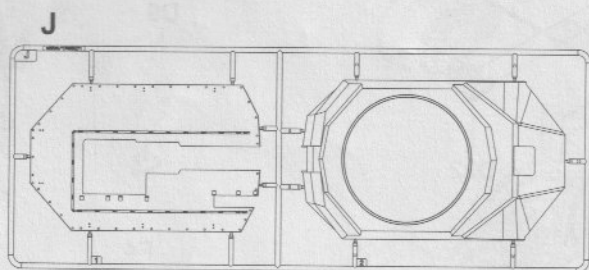
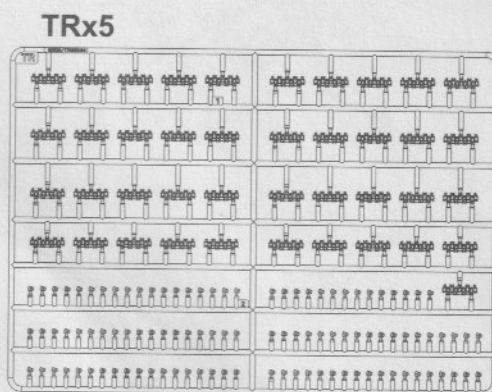
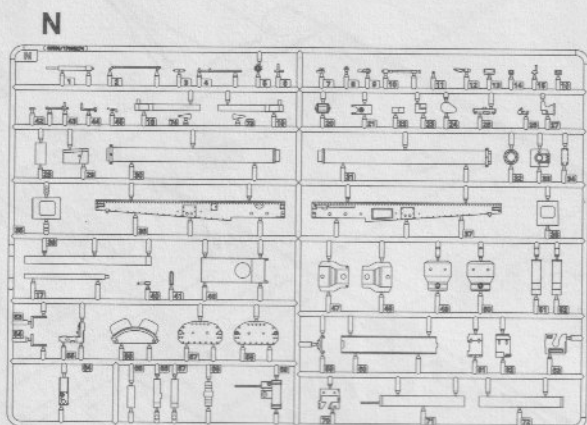
M



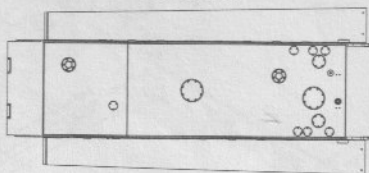
P



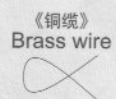
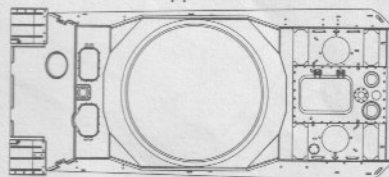
部品图
Parts



《车底》
Lower hull



《车面》
Upper hull



1

《车底》
Lower hull

F25

F26

D23

D23

F43

A16

D22

F36

D9

F4

F18

F7

F42

A16

D23

D23

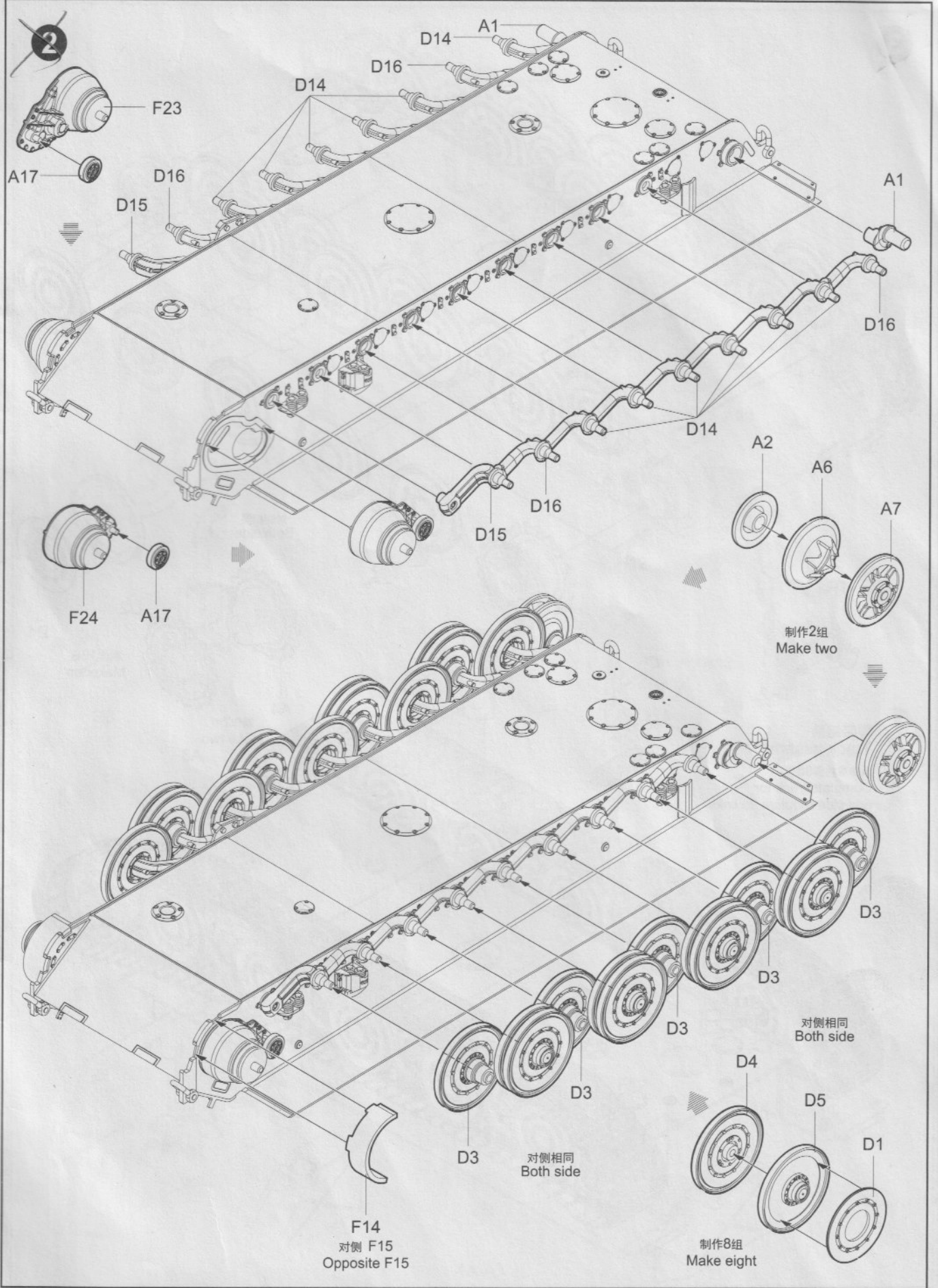
D22

F17

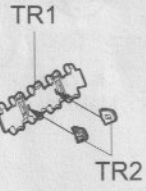
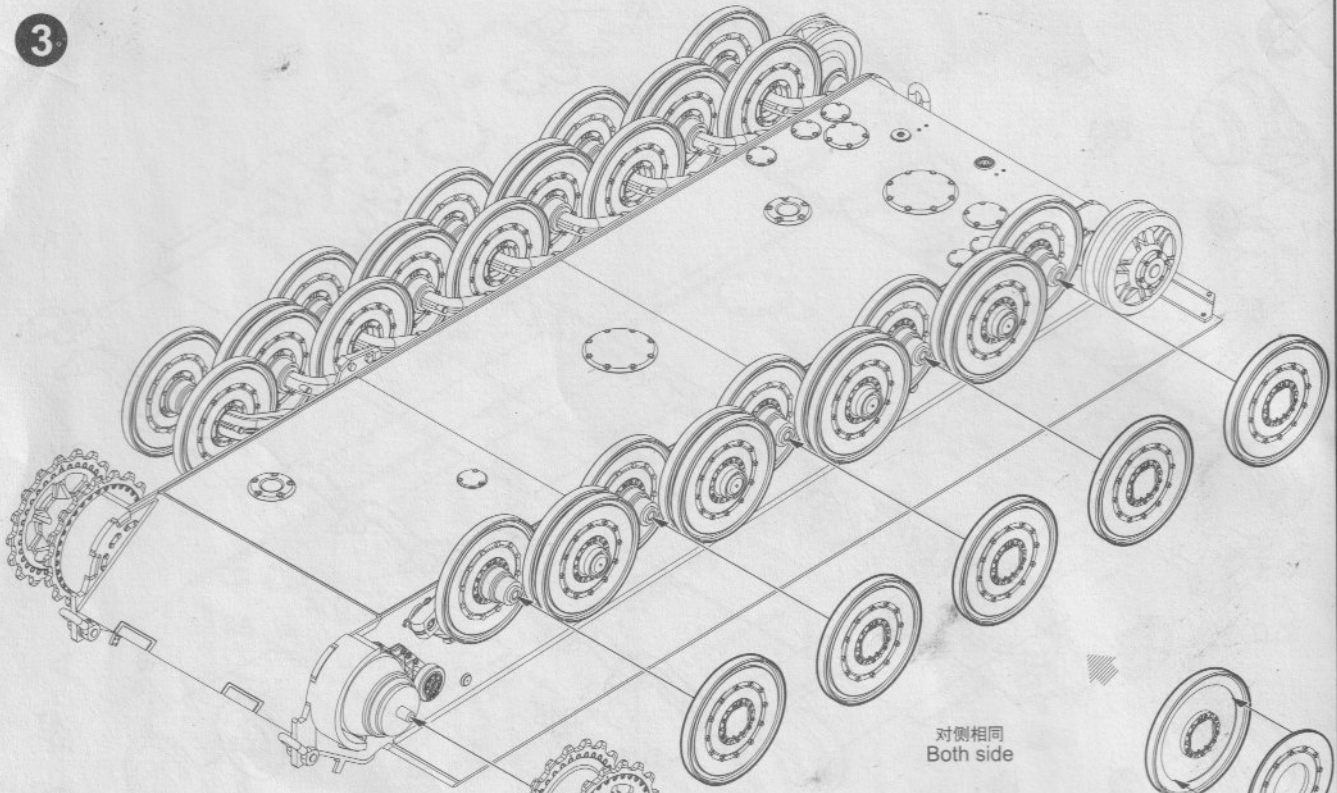
F6

D9

F5

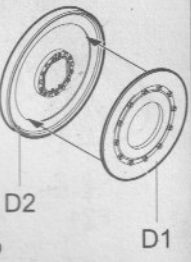


3

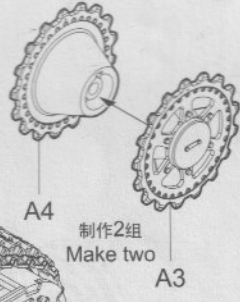


履带组装
Track assembly
单侧履约需98节
Complete track for
one side require 98 links

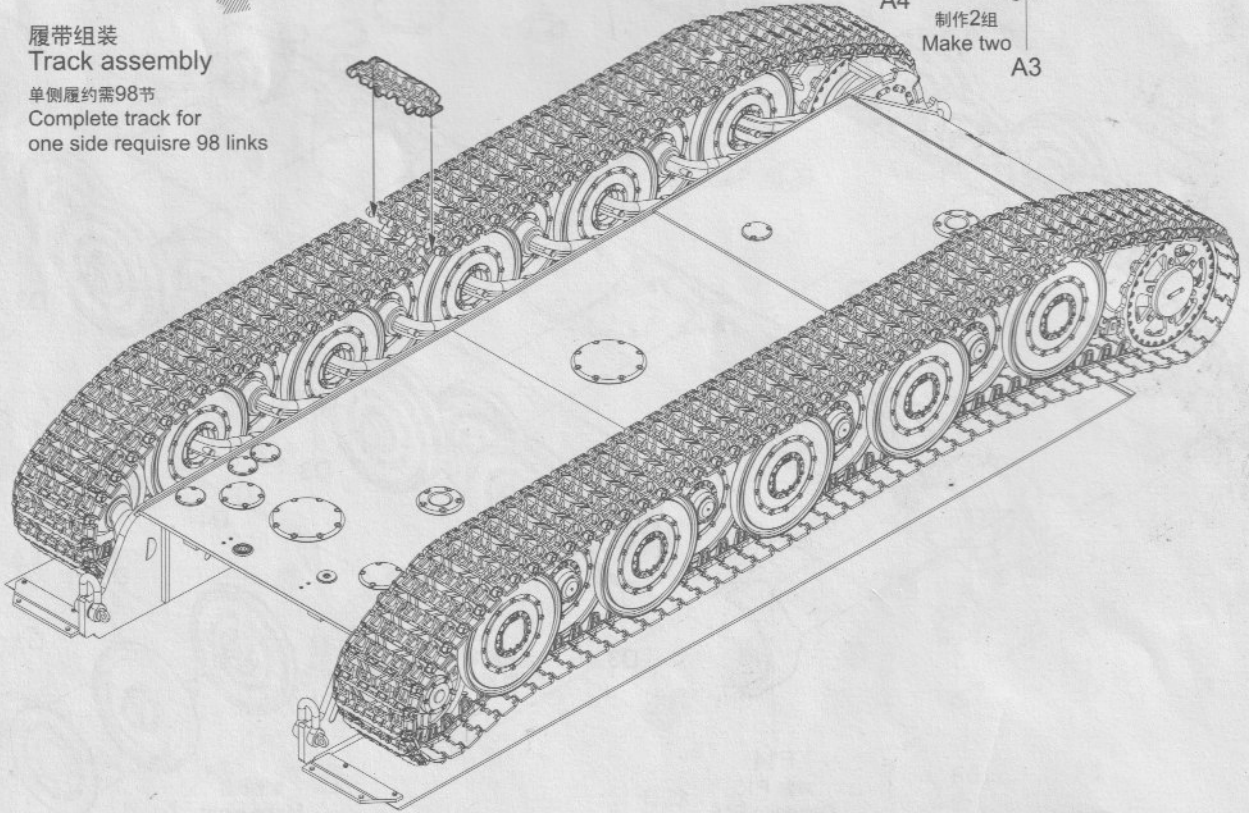
对侧相同
Both side

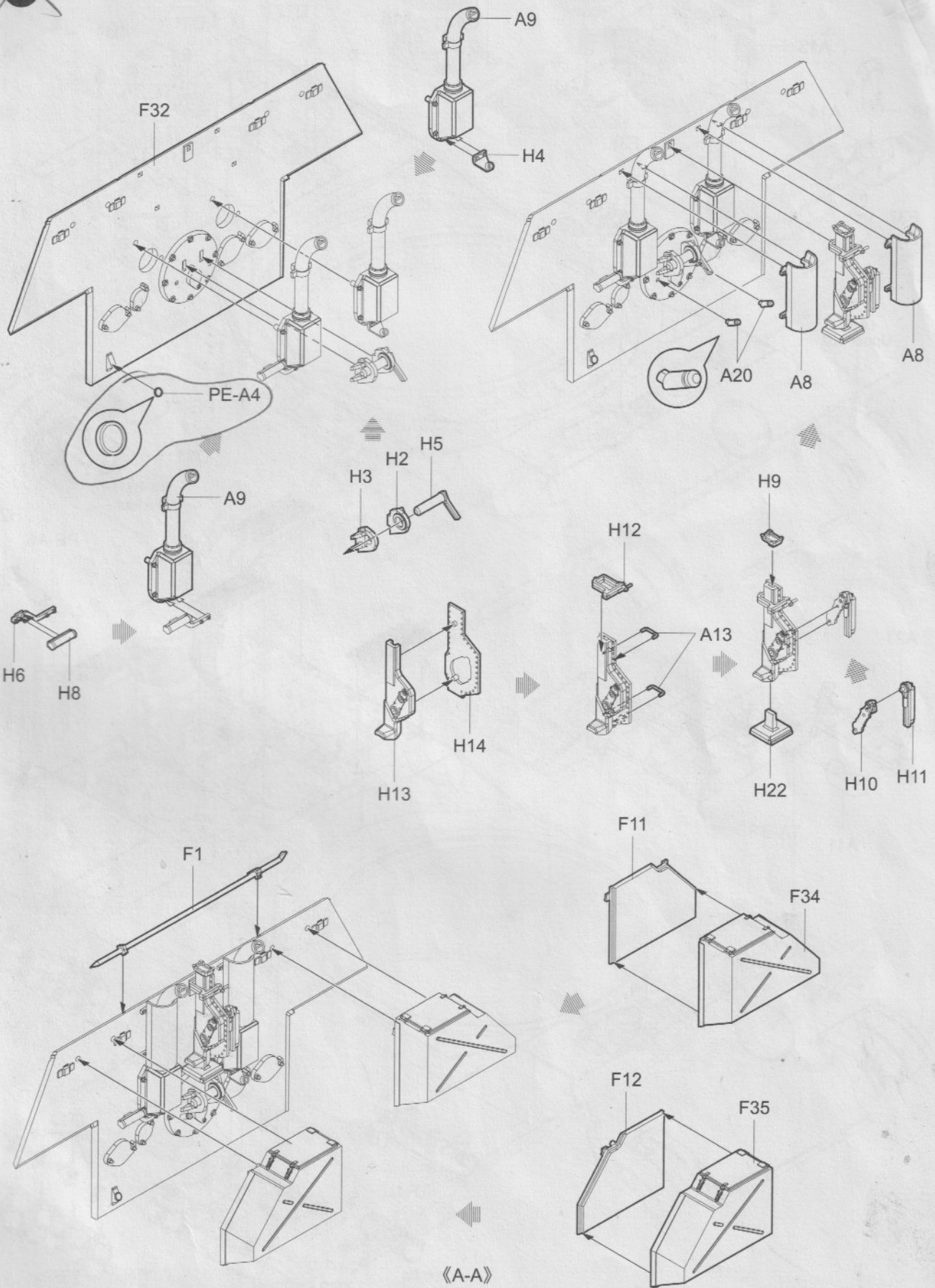


制作10组
Make ten

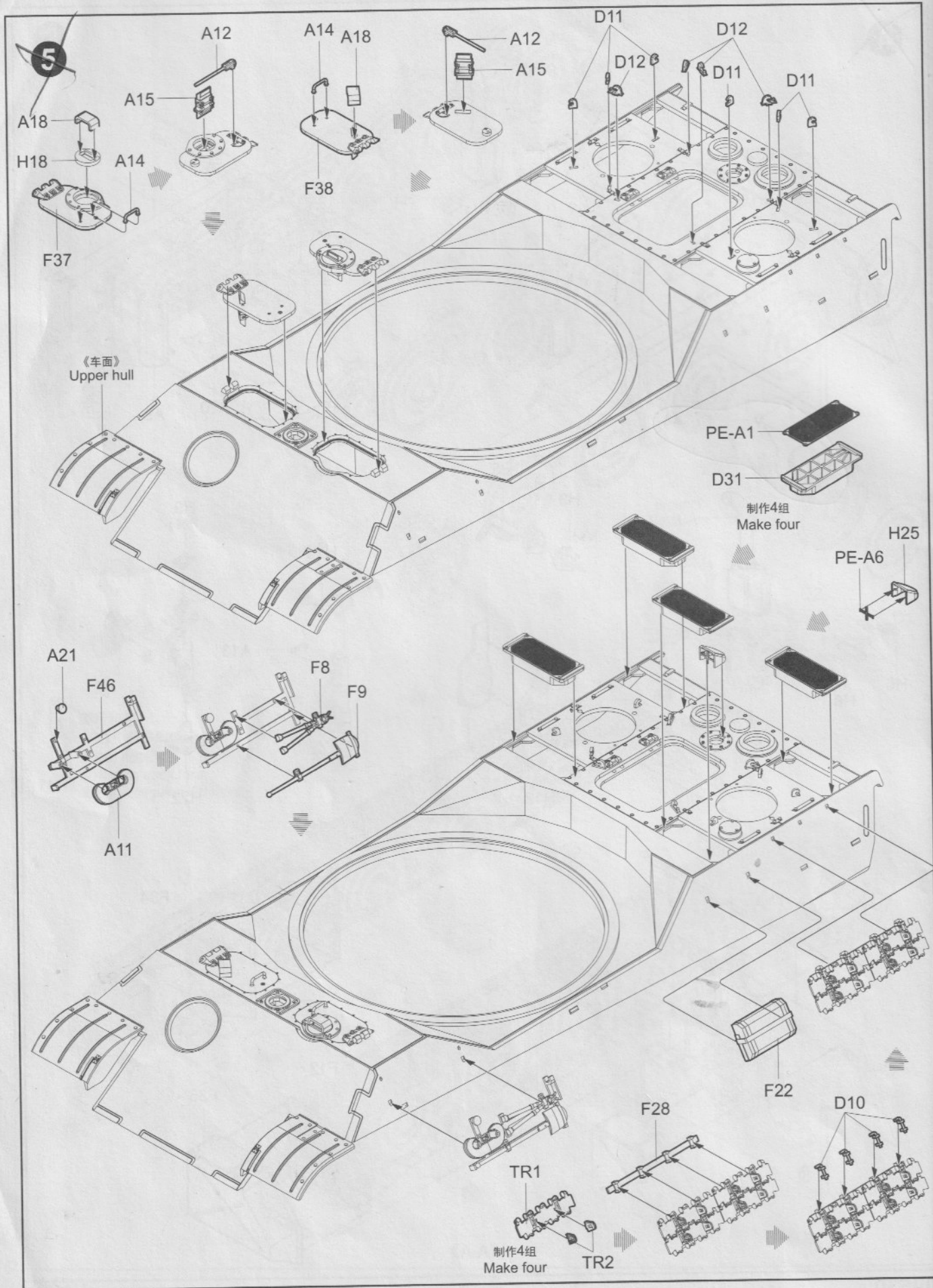


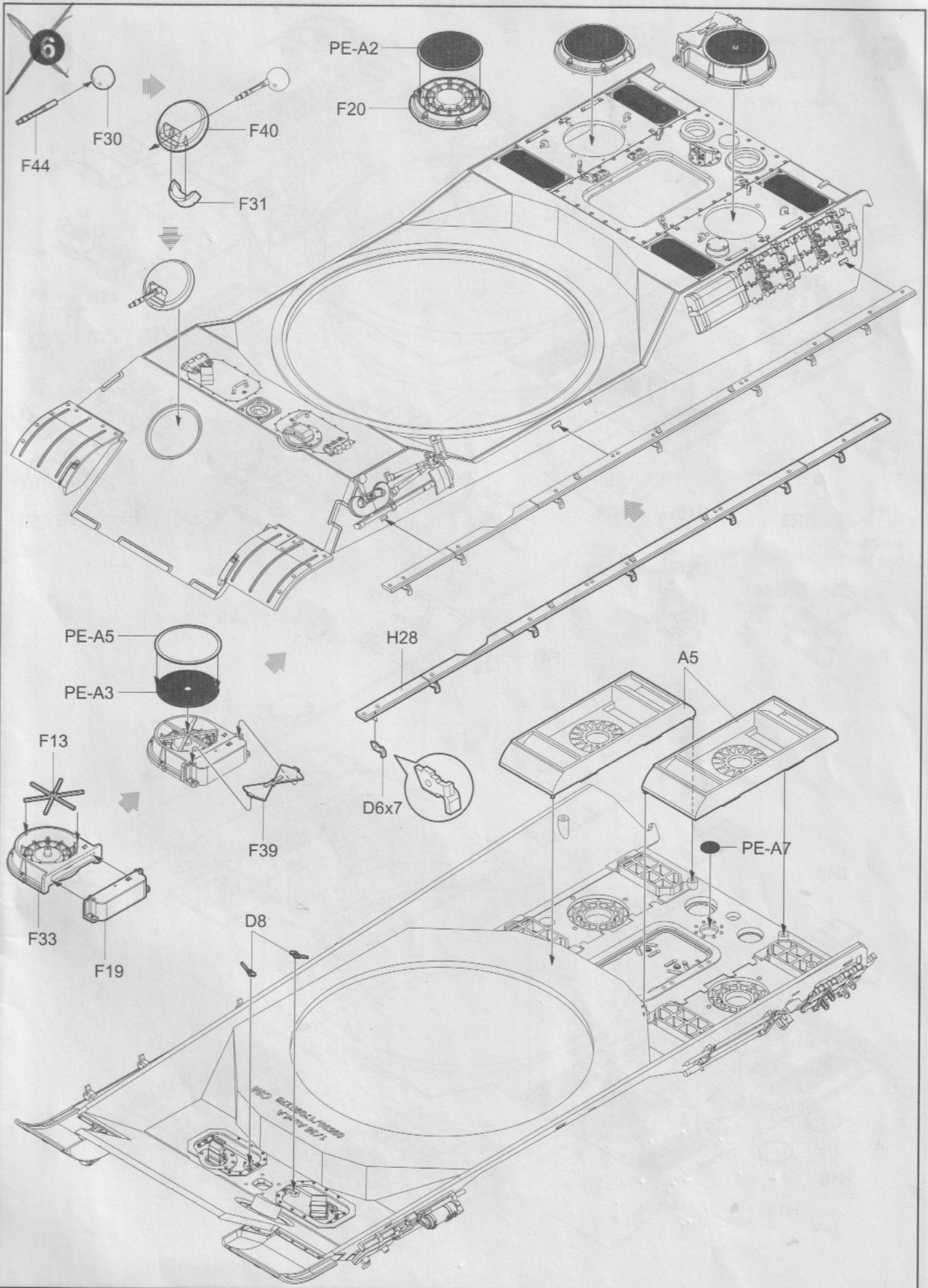
制作2组
Make two



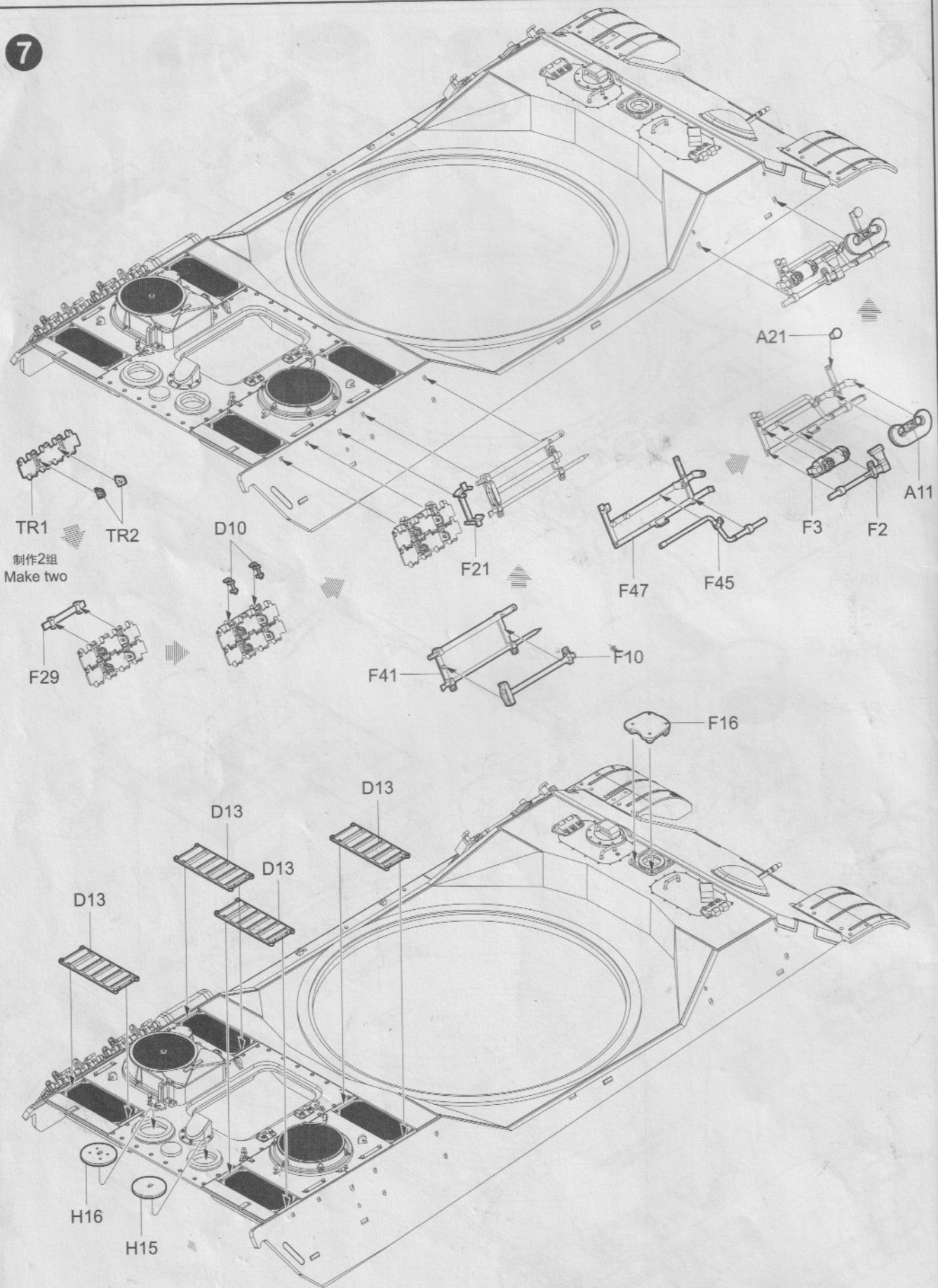


«A-A»

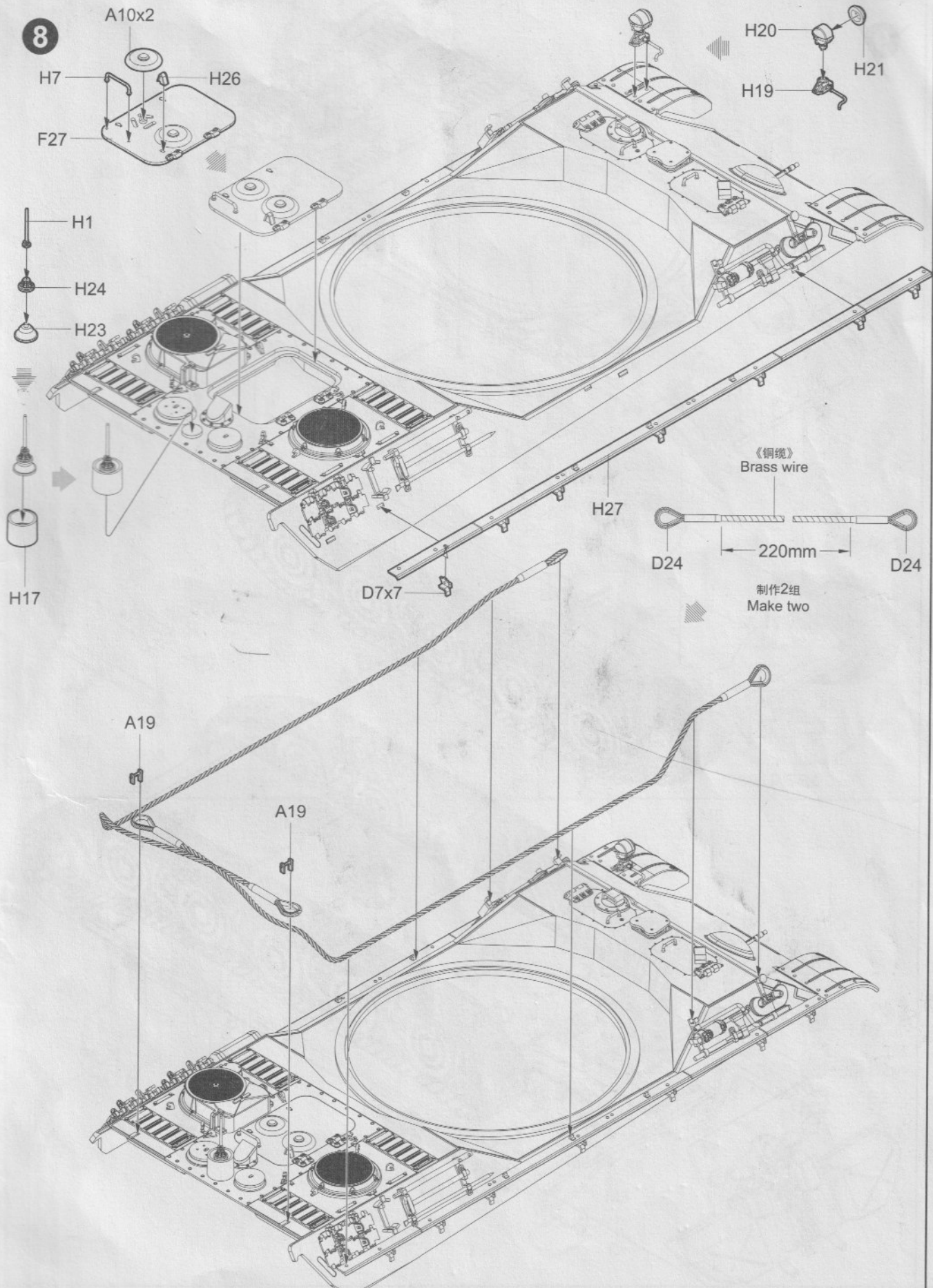




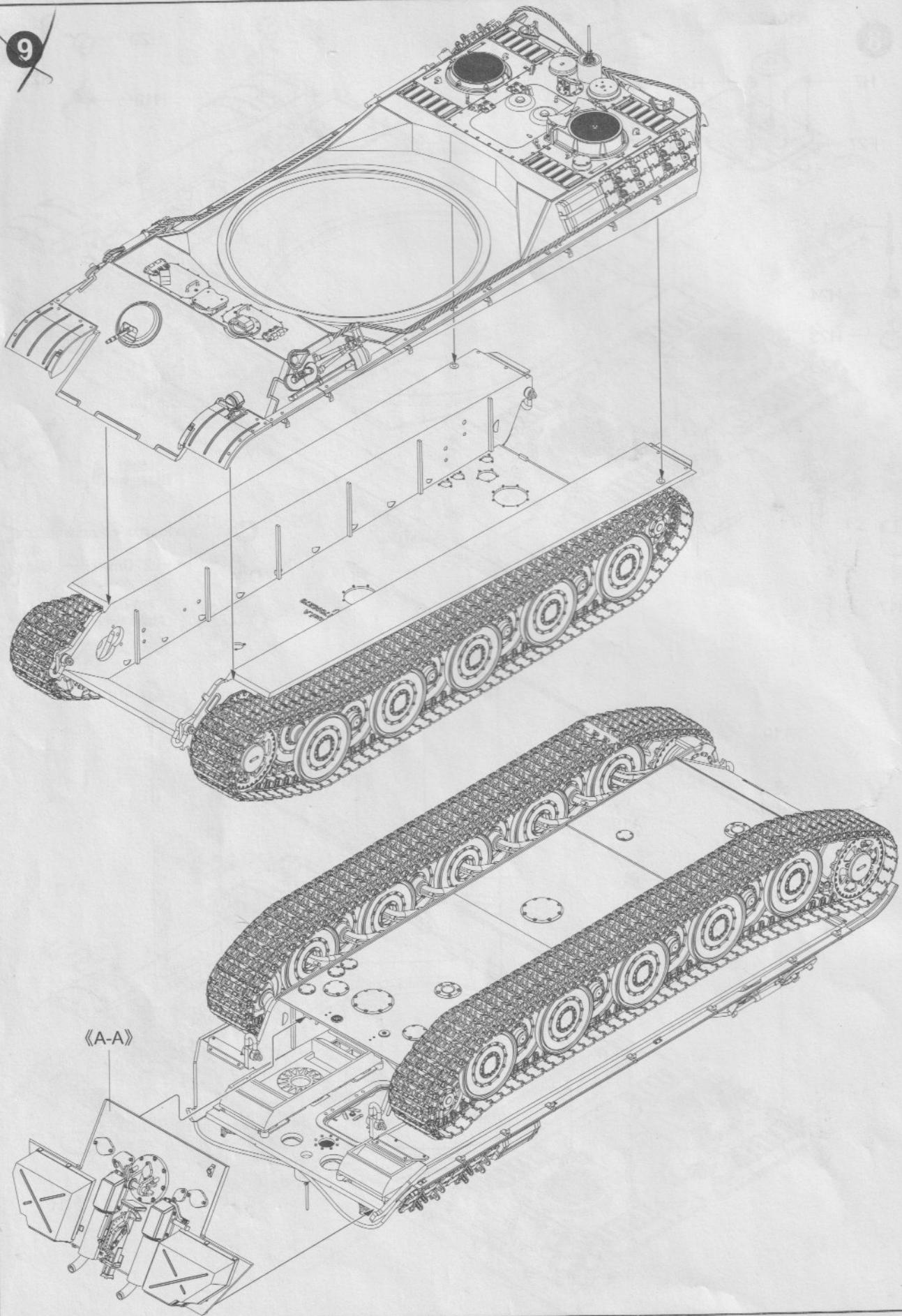
7

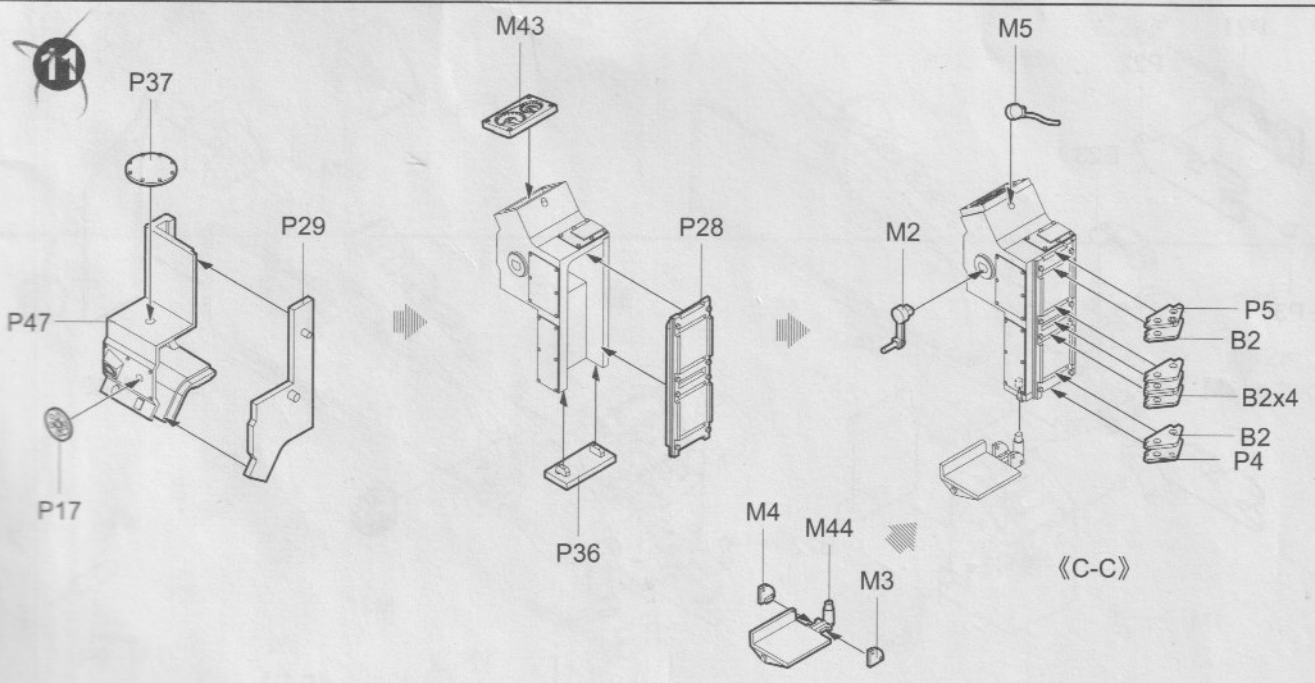
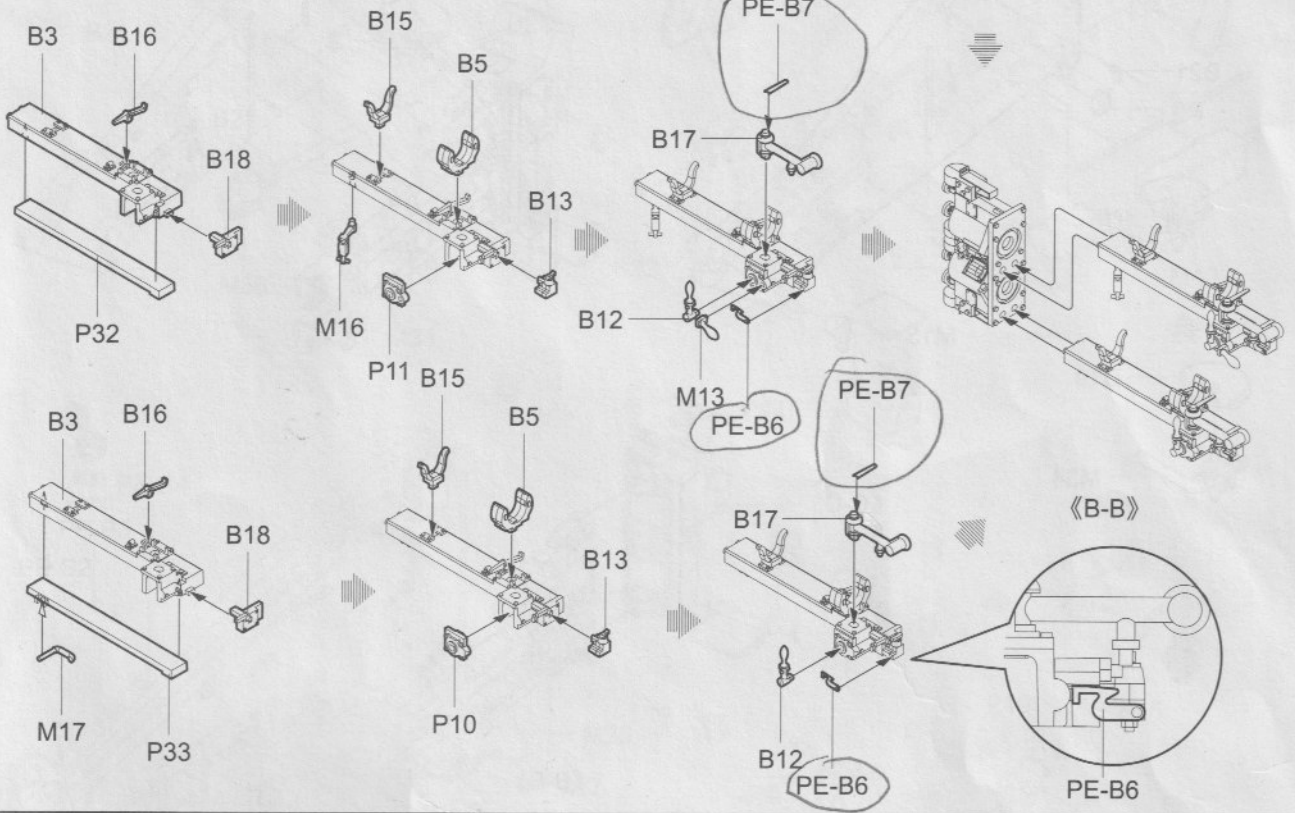
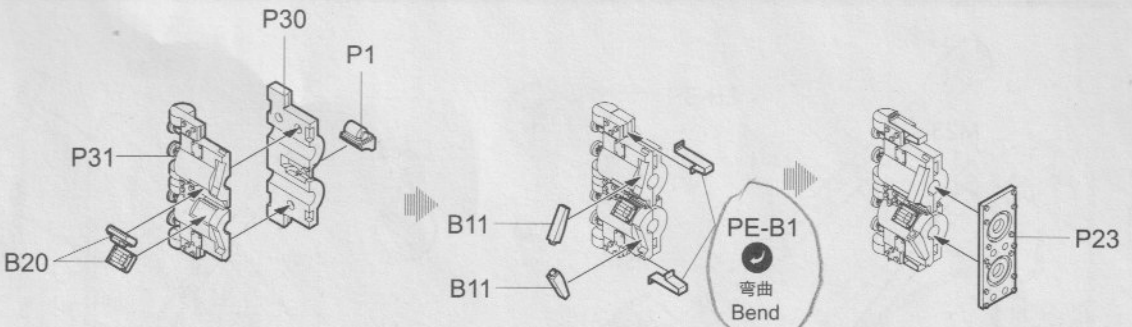


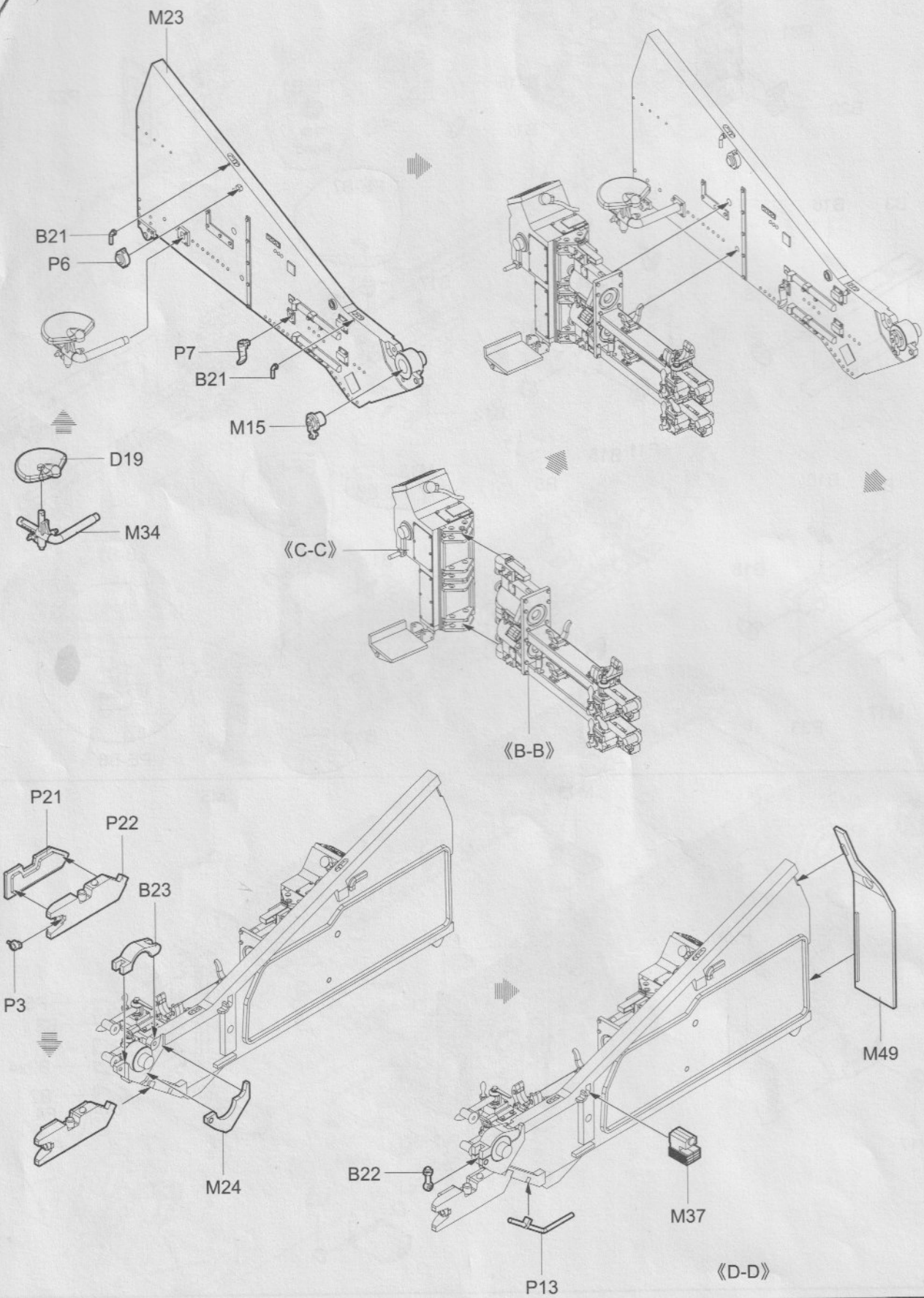
8



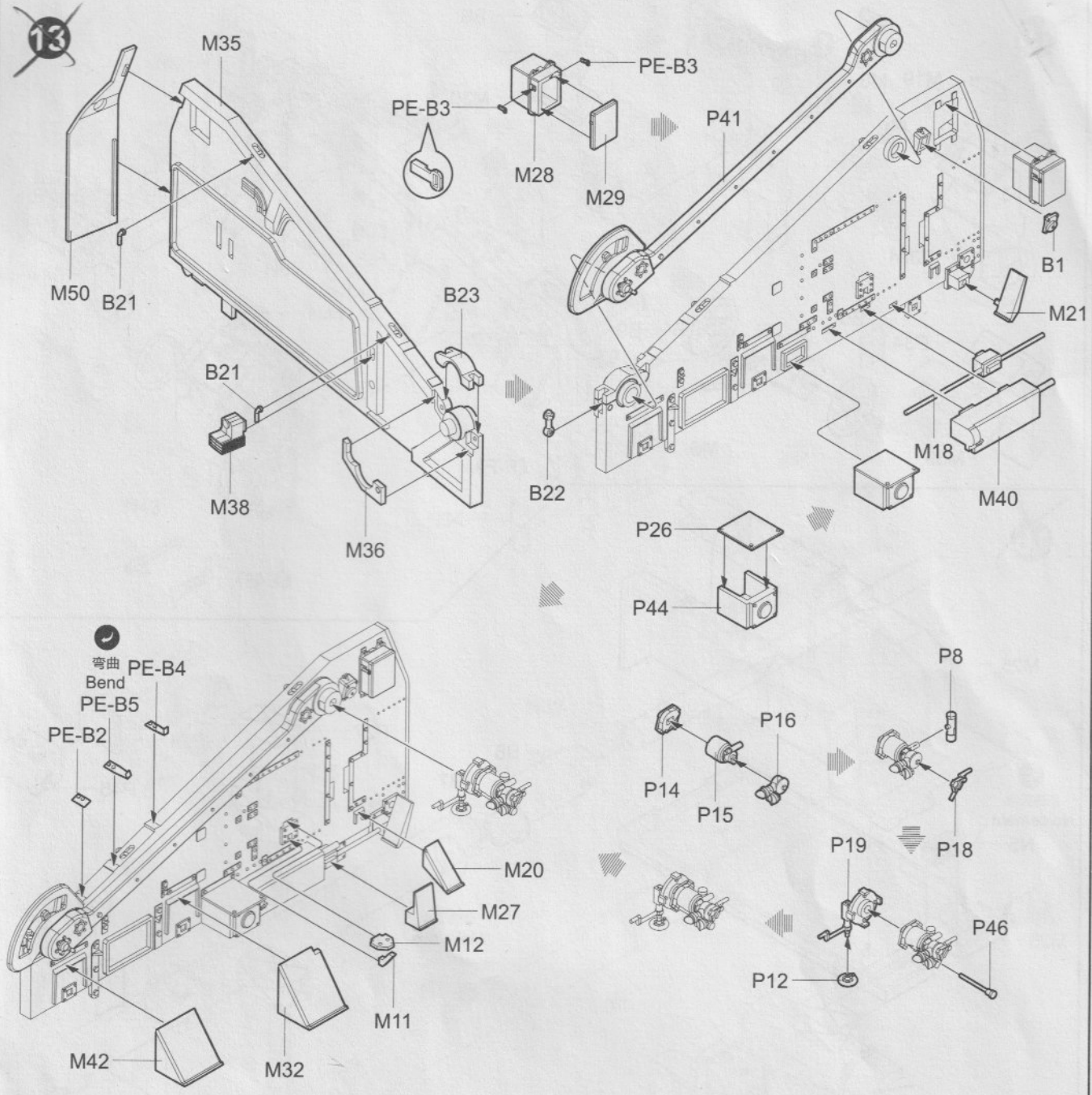
9



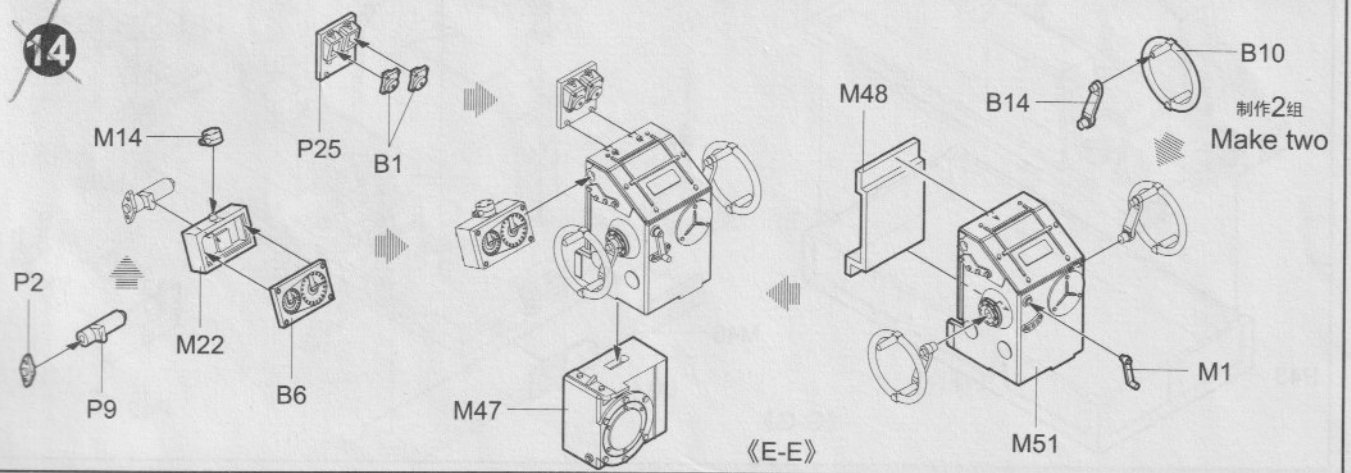




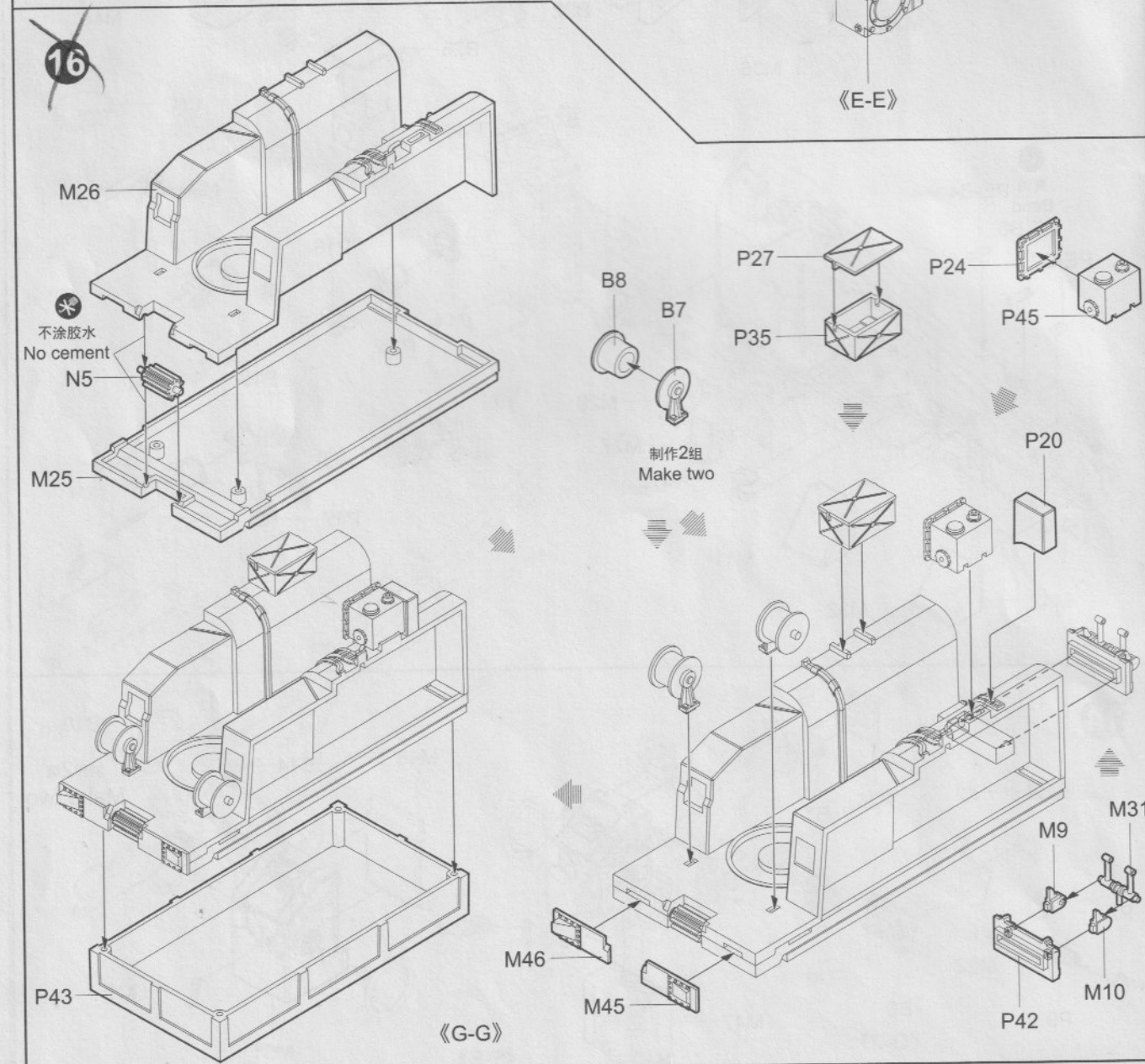
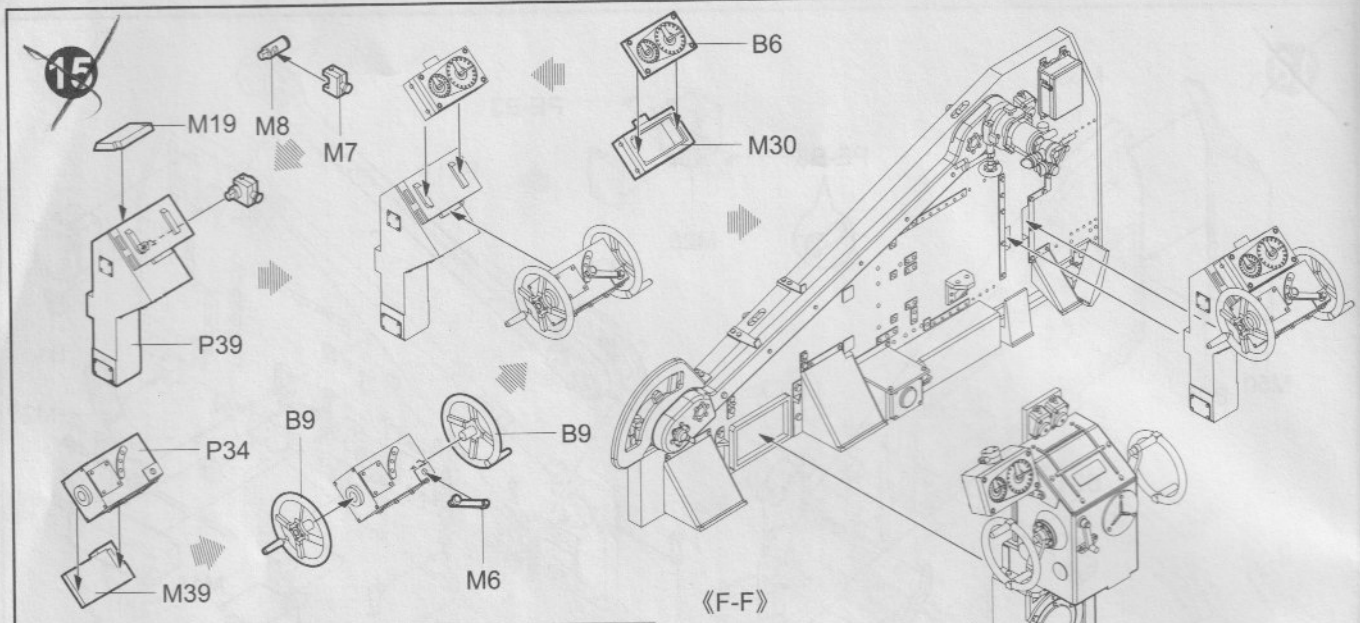
13

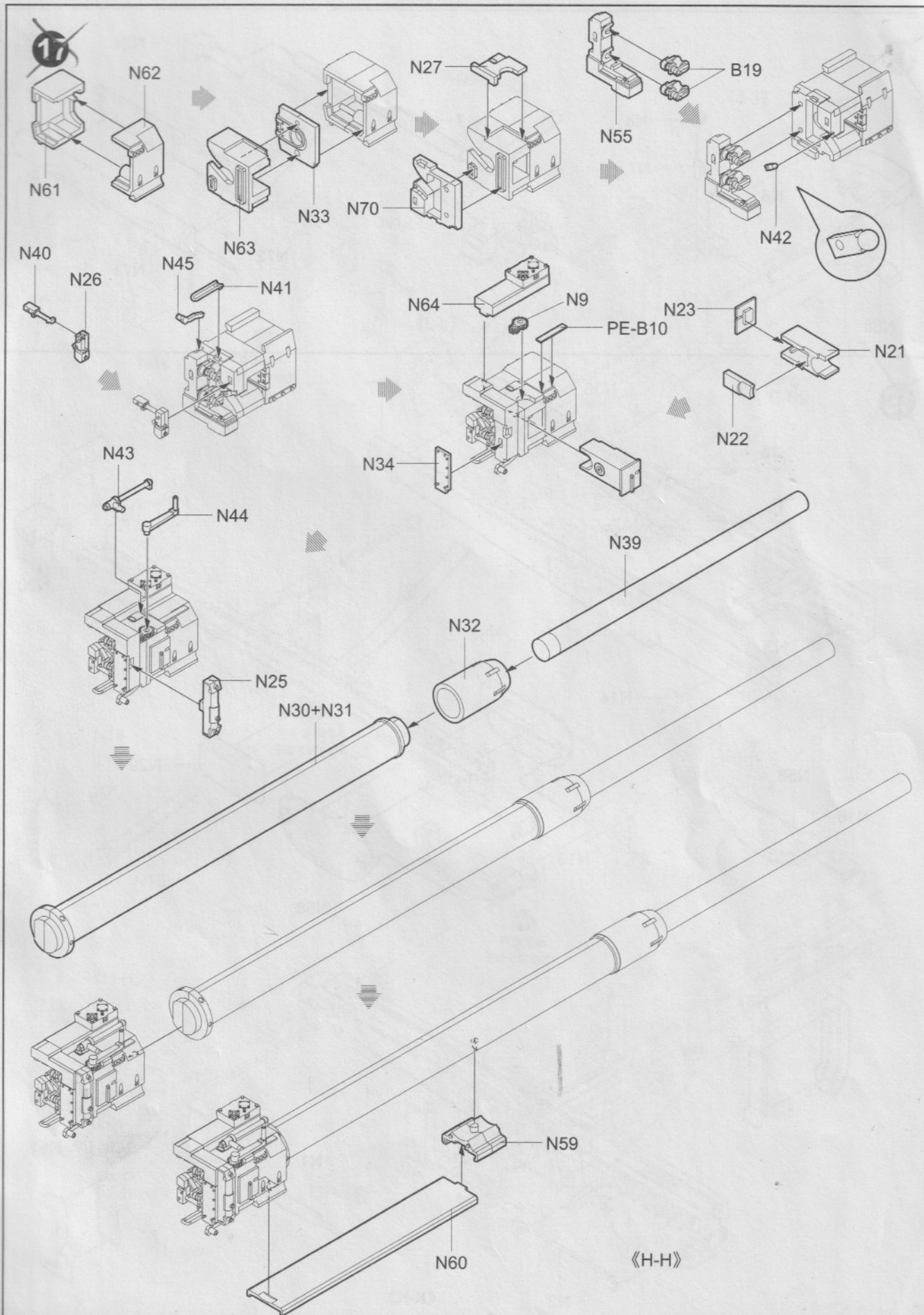


14

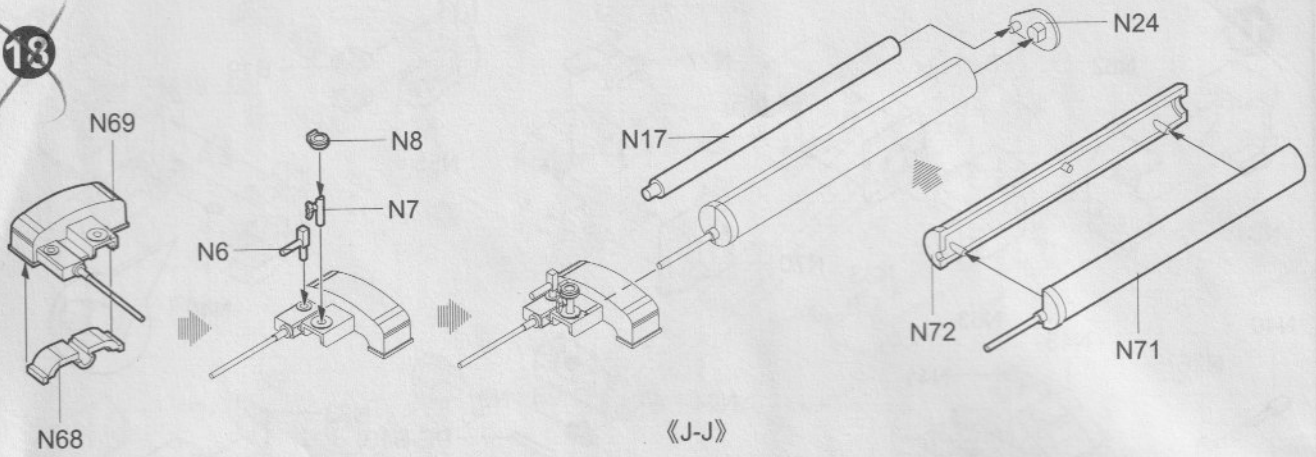


《E-E》

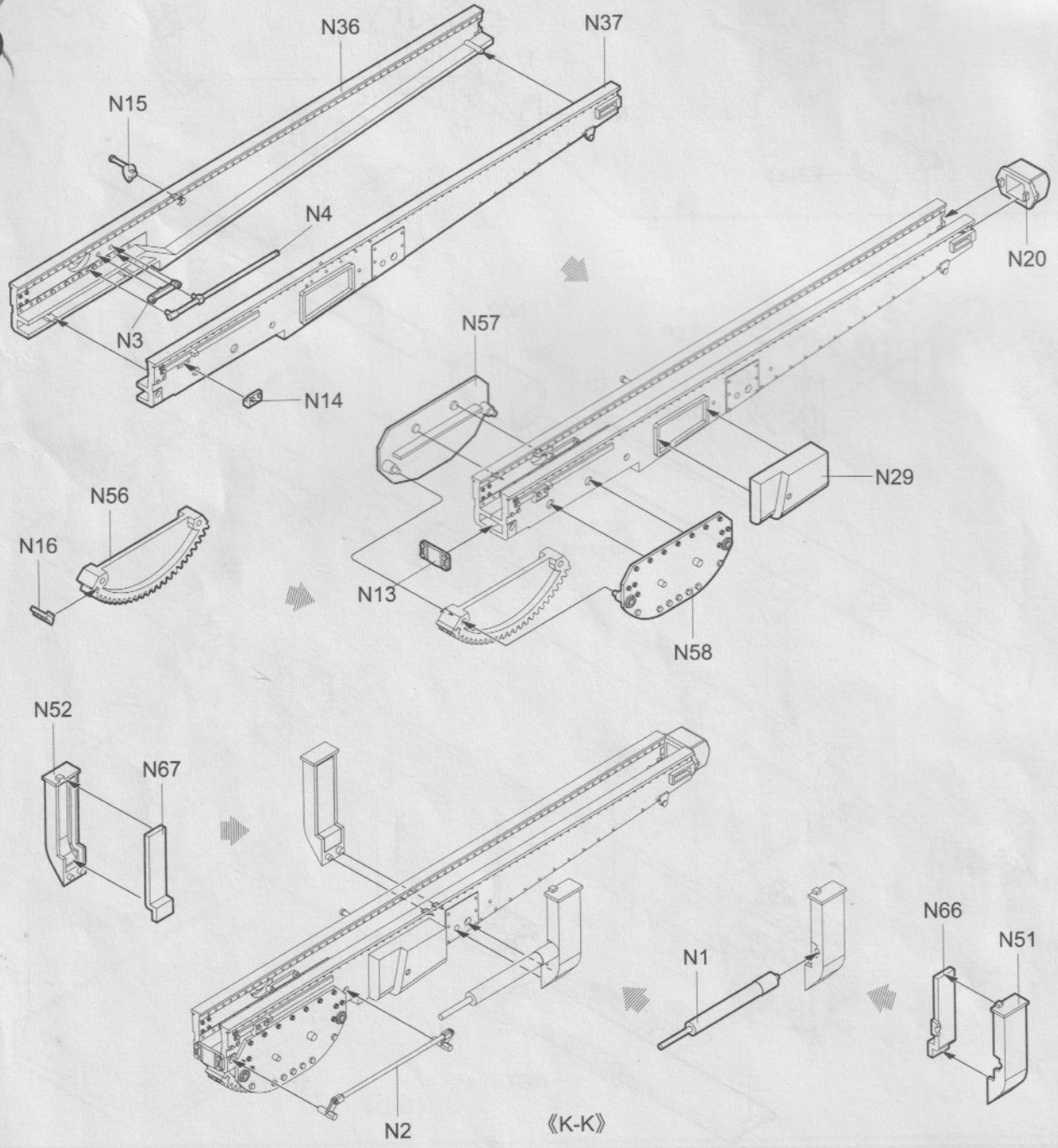


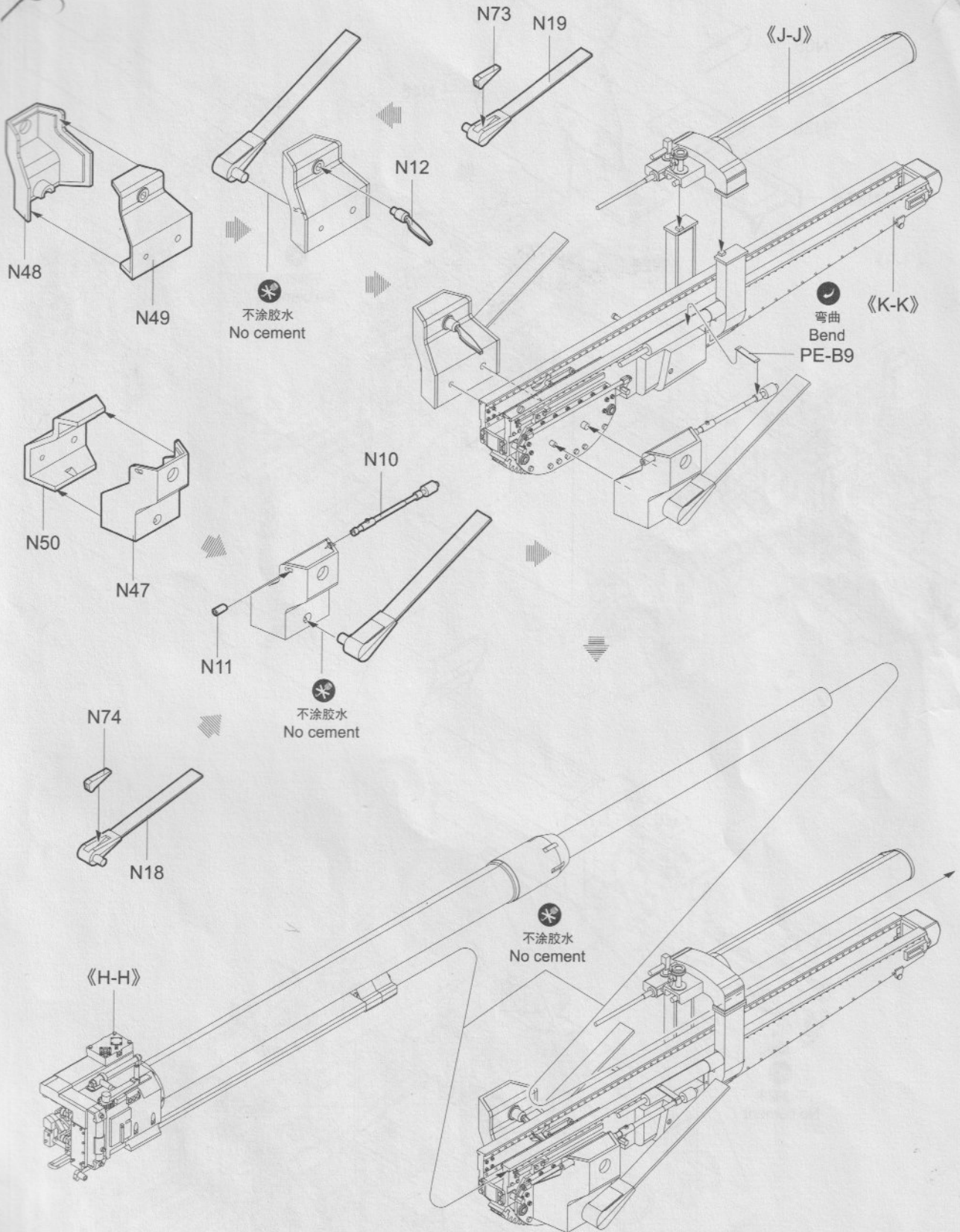


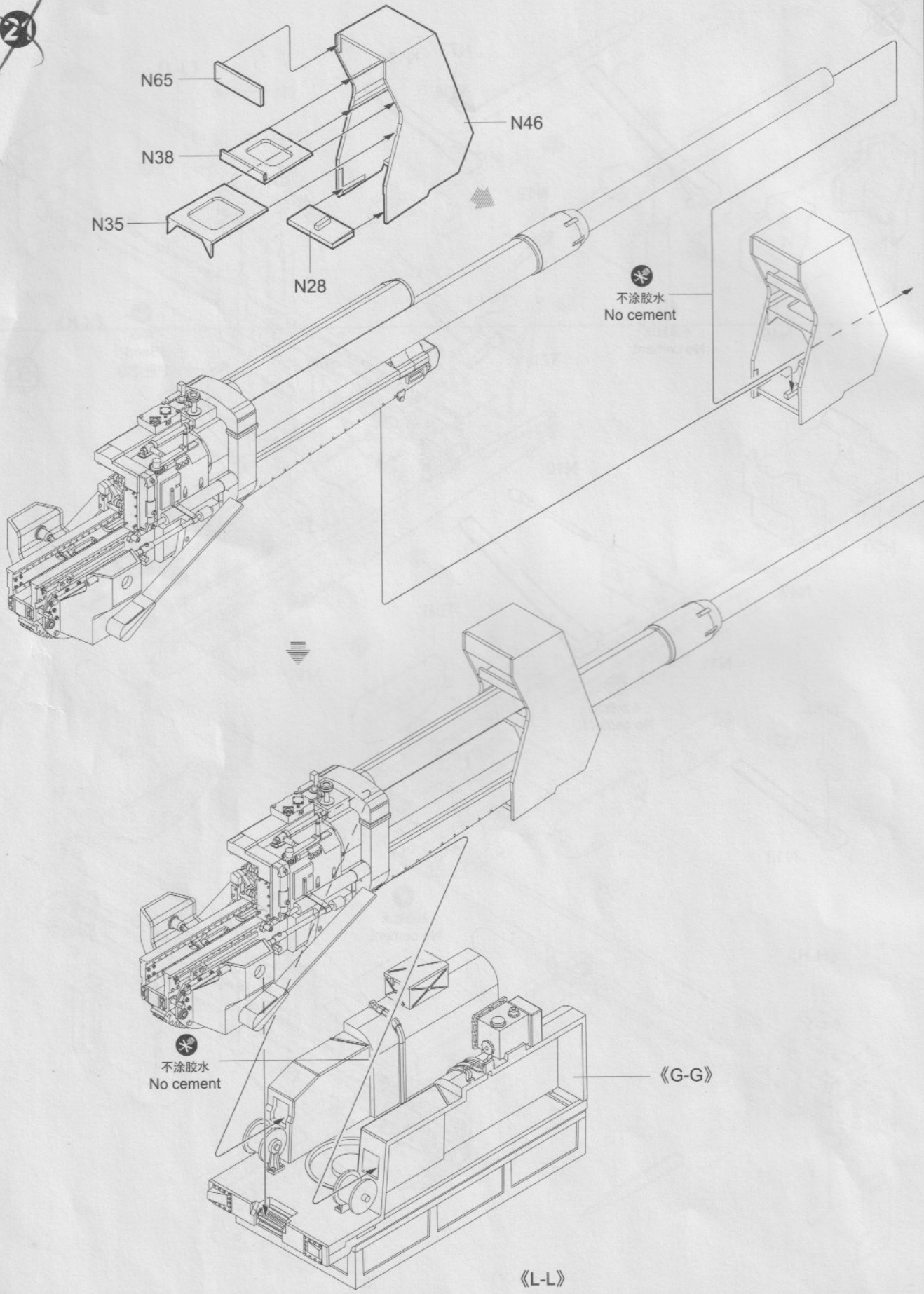
18

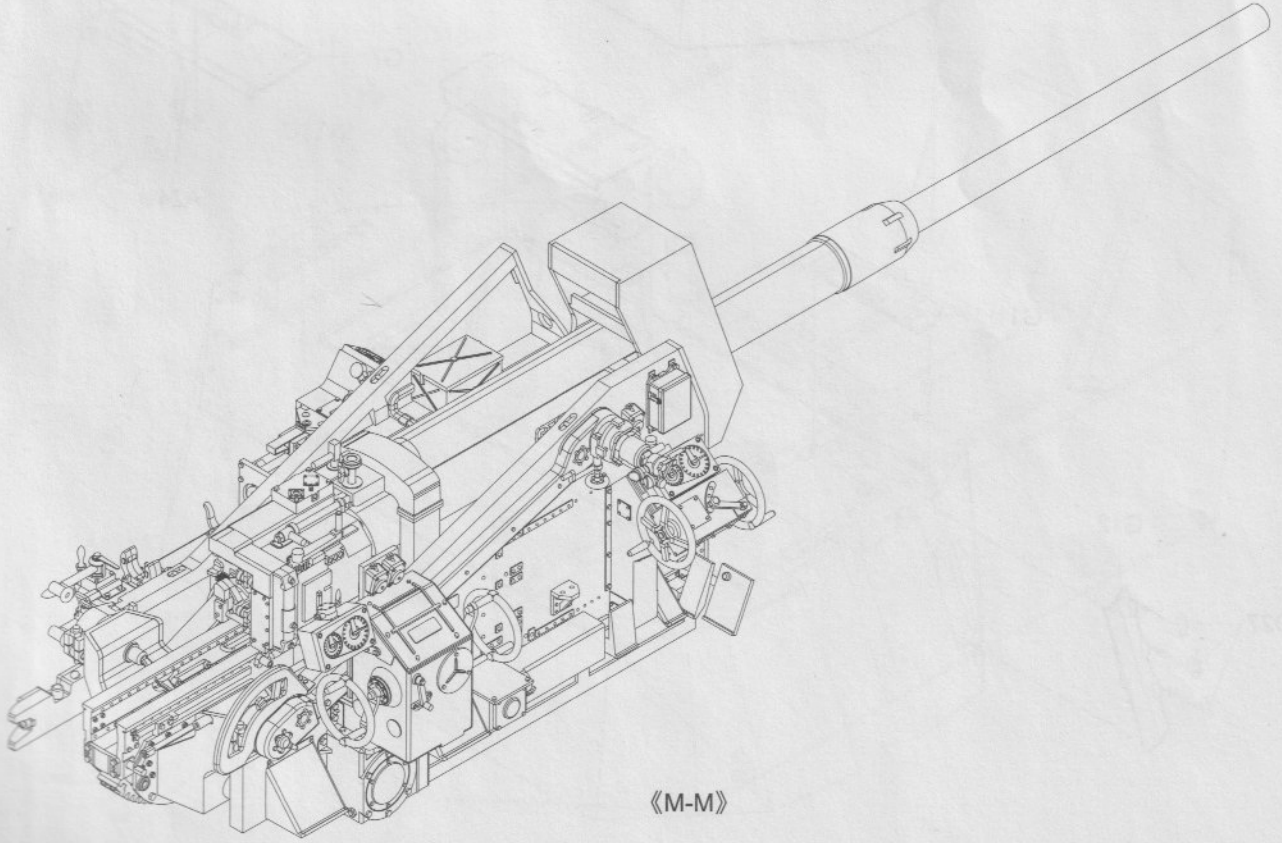
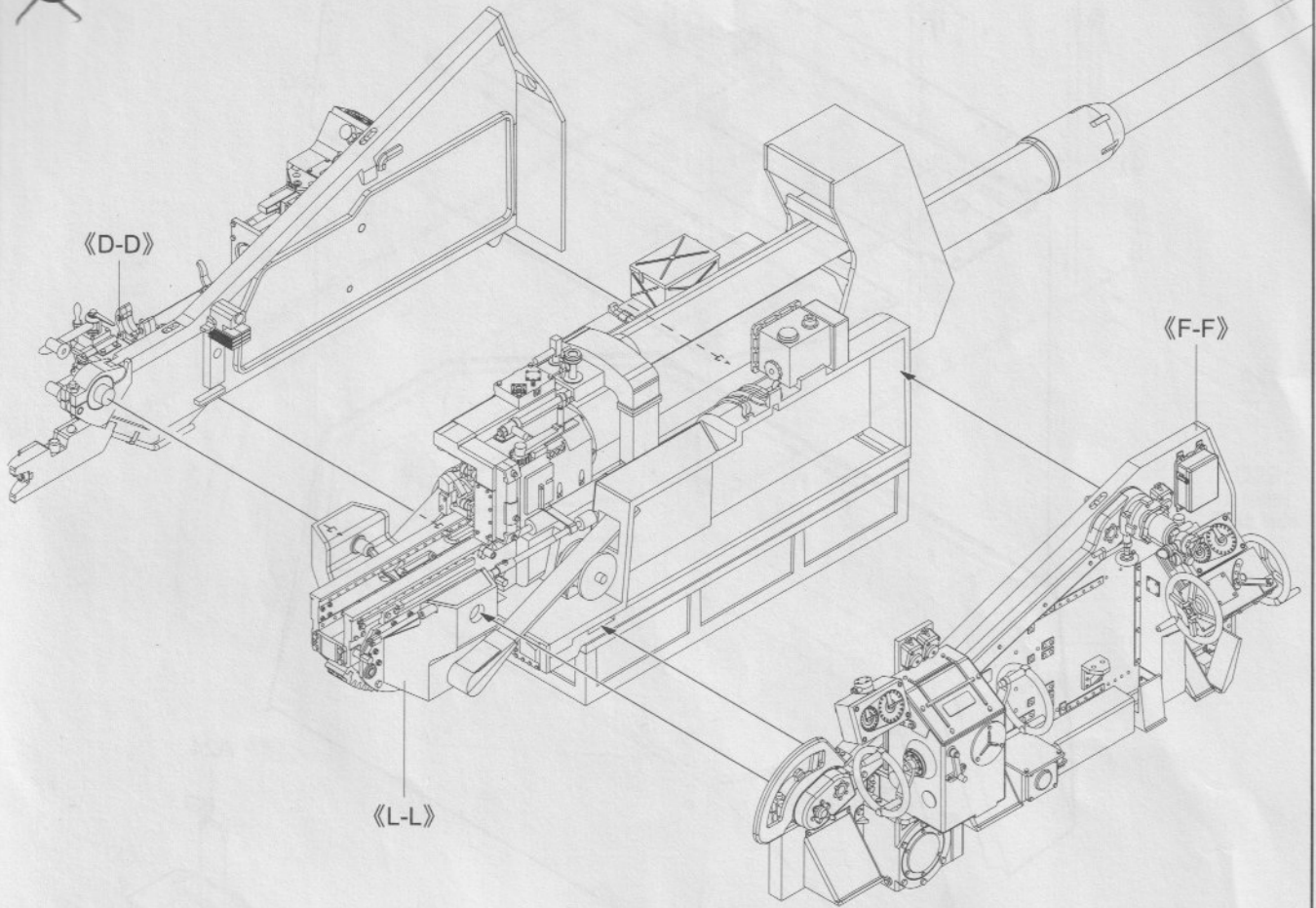


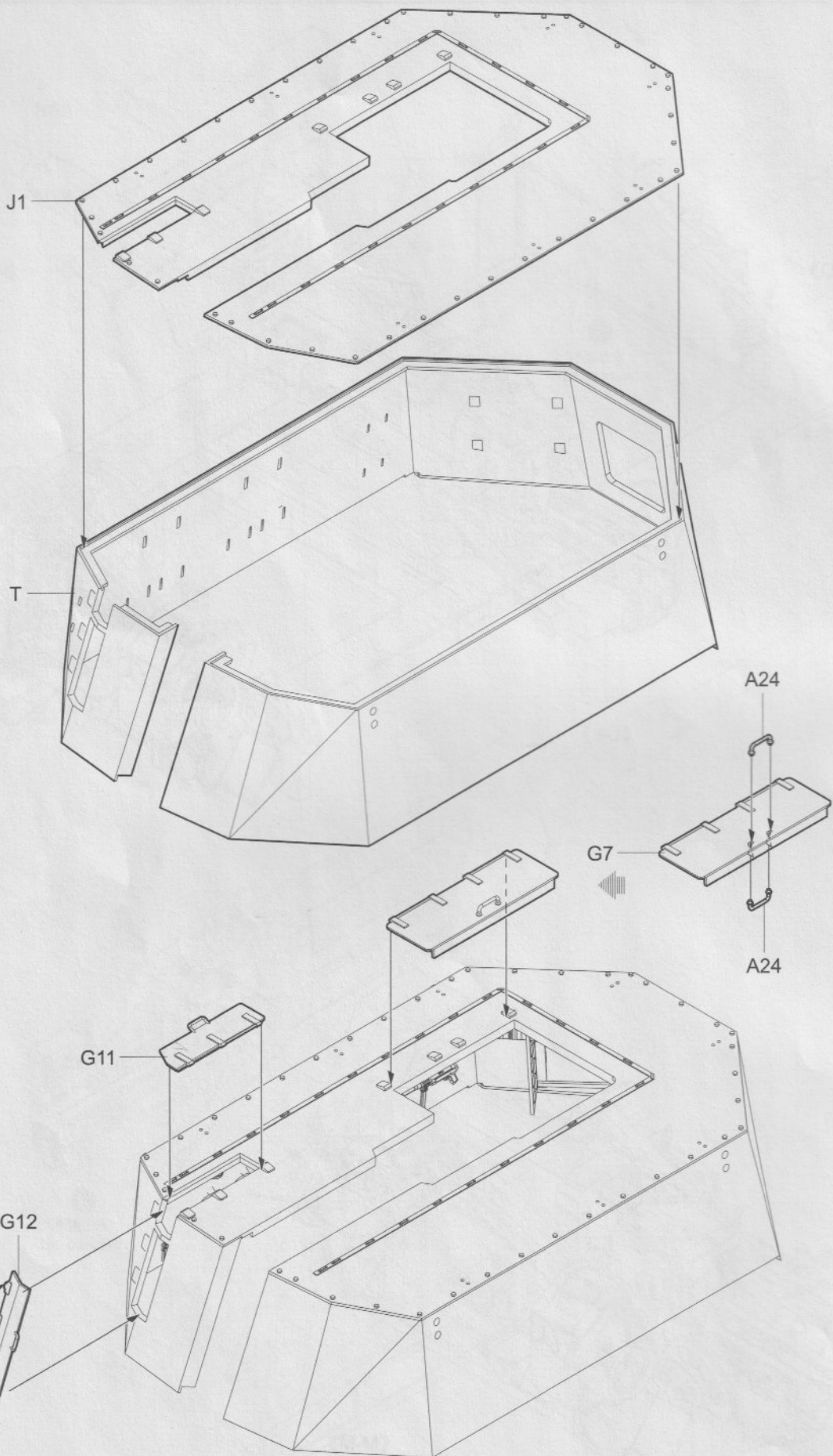
19



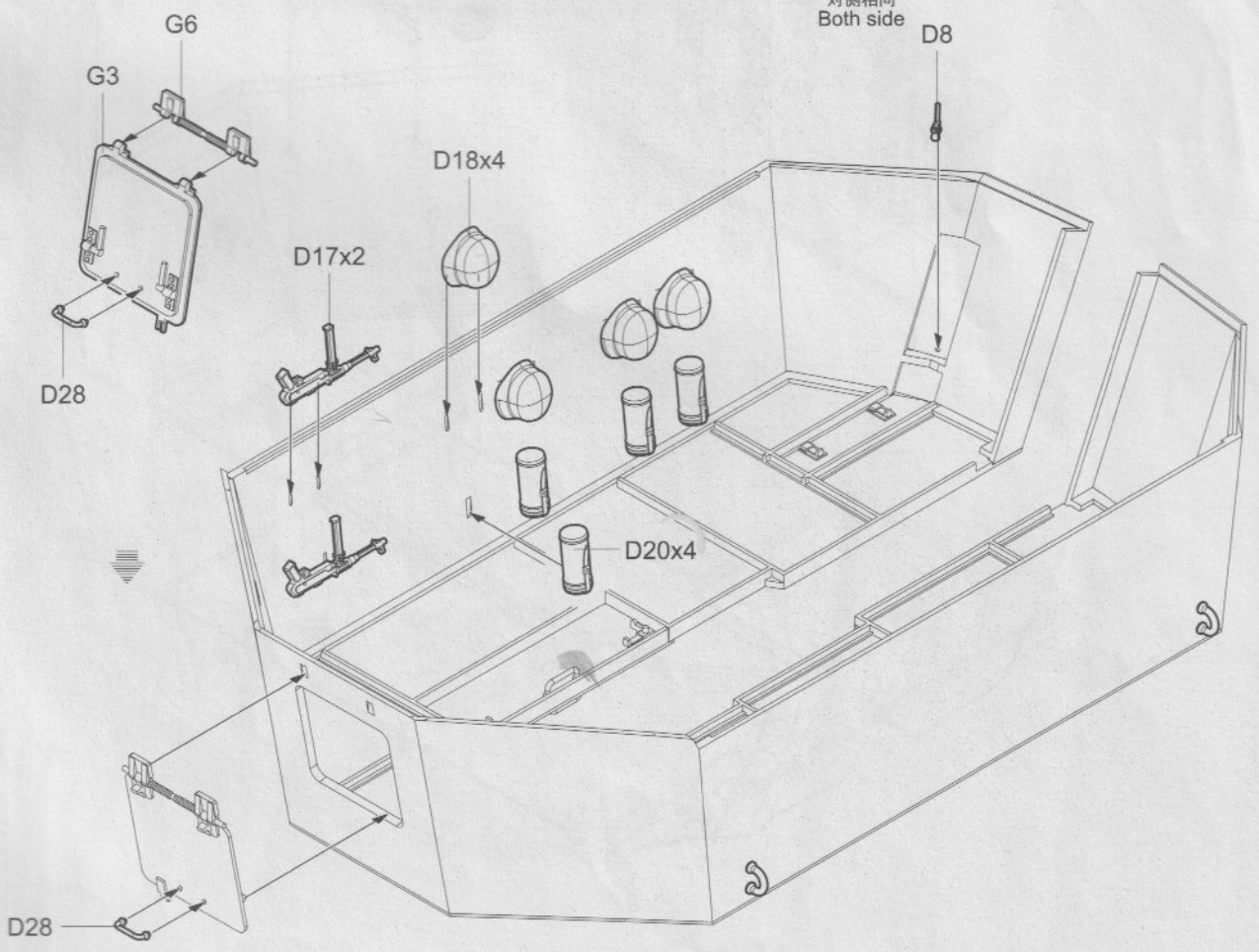
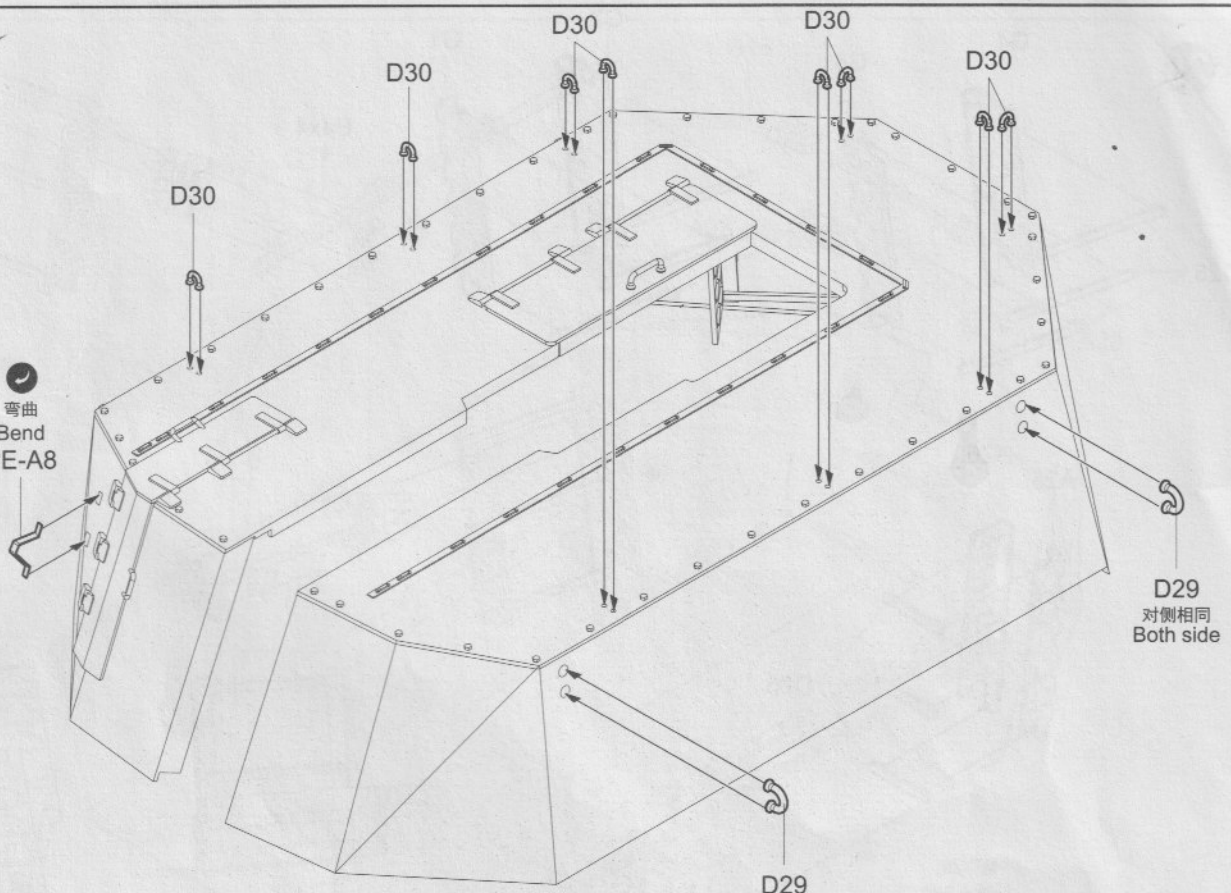




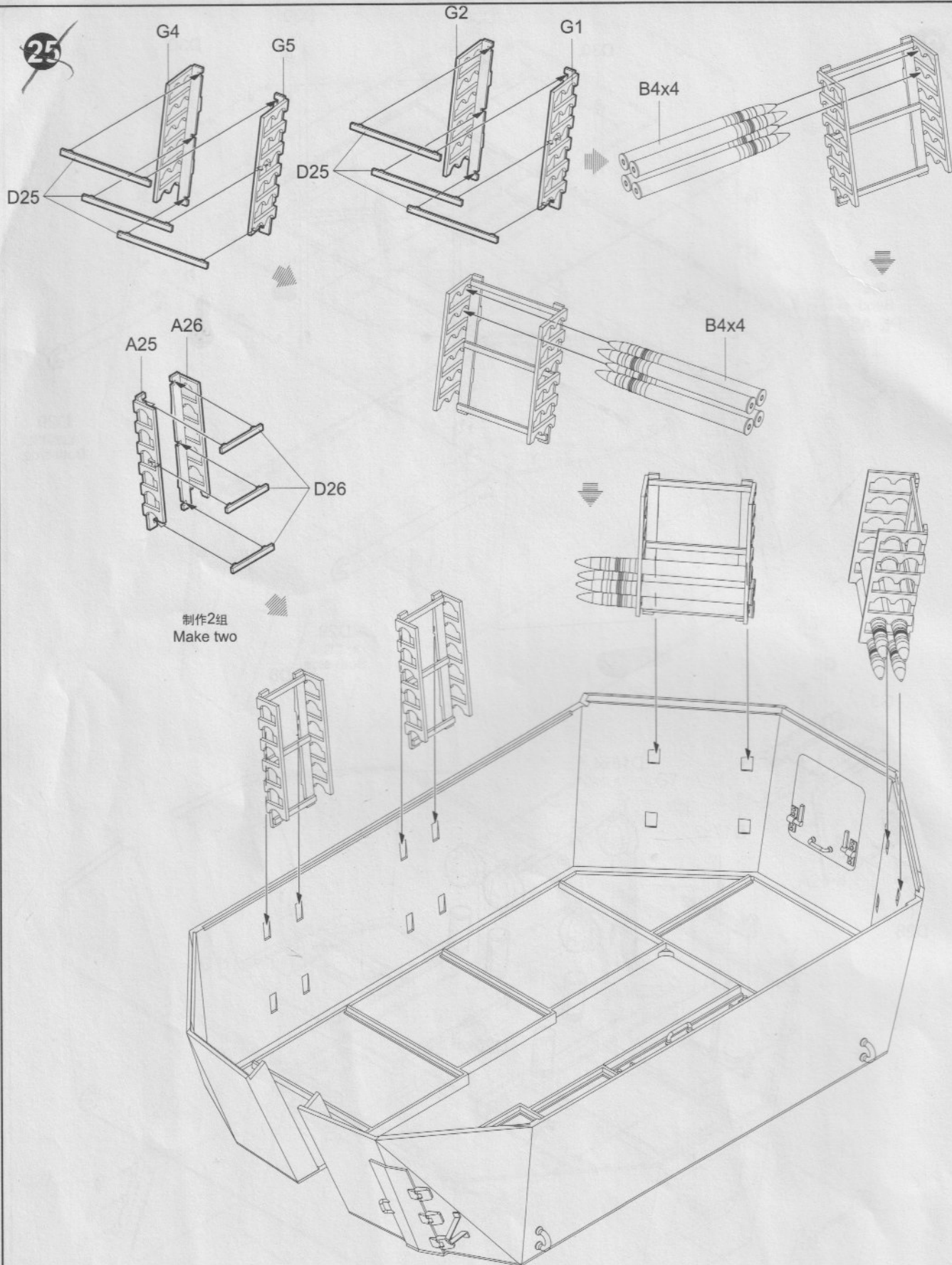


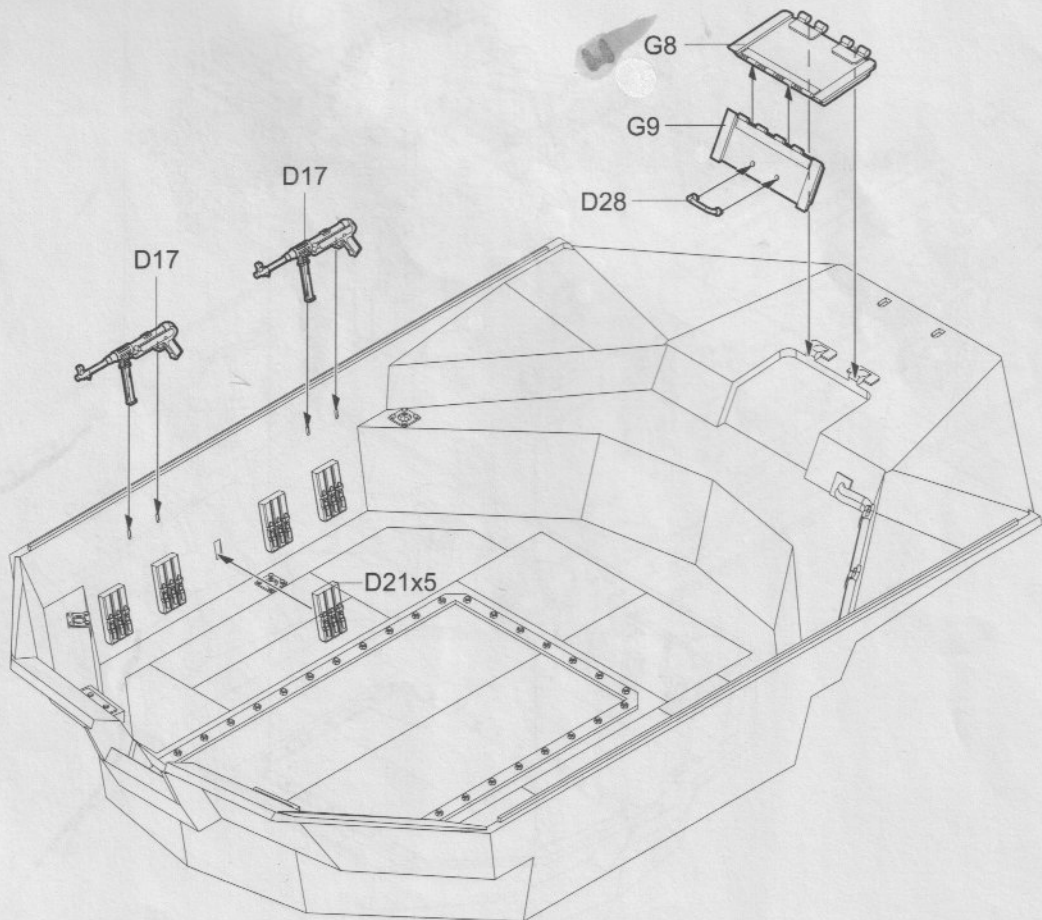
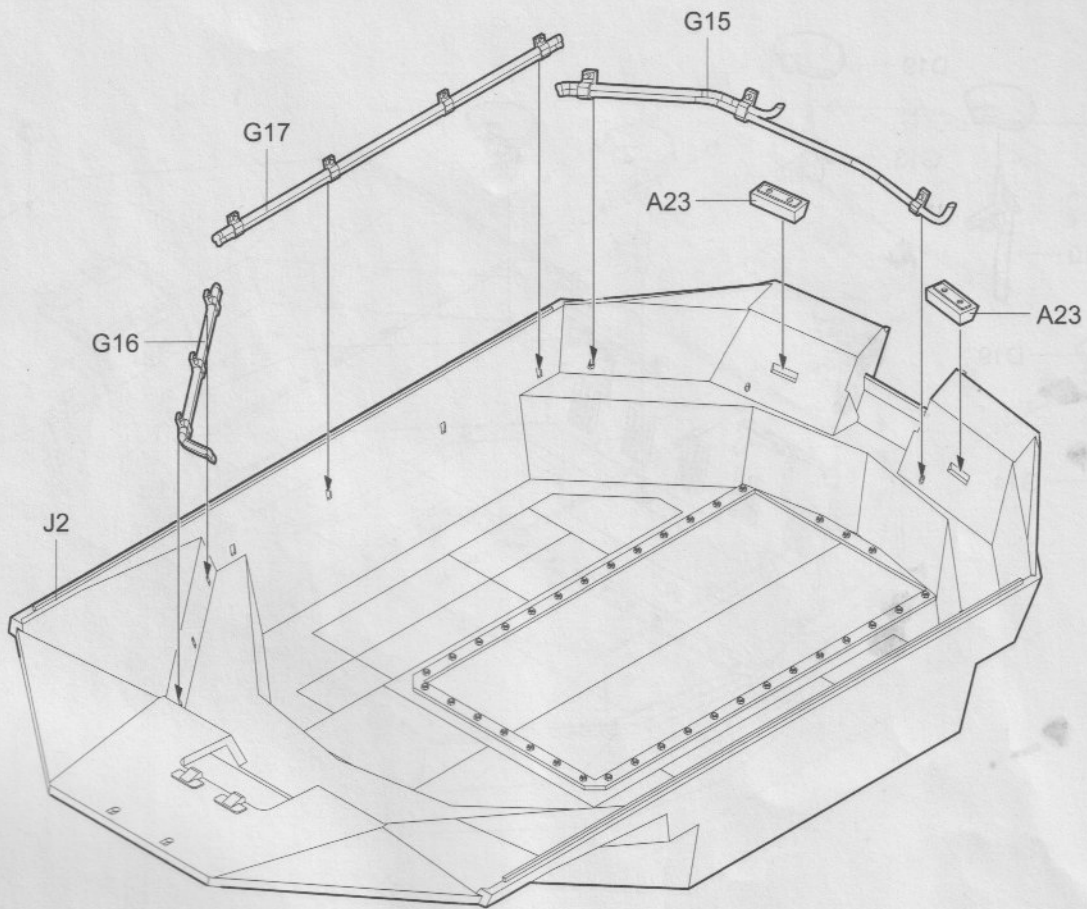


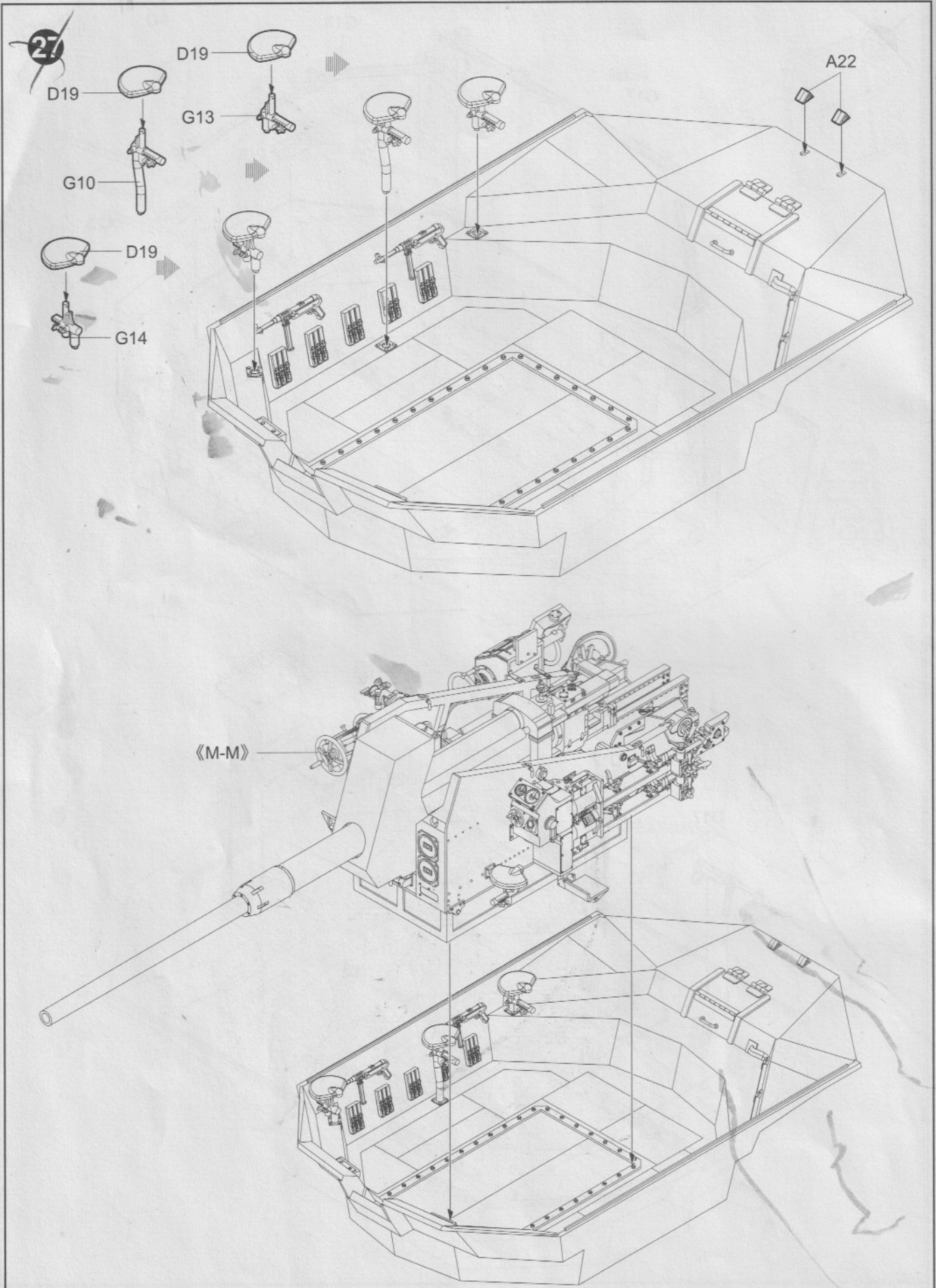
弯曲
Bend
PE-A8

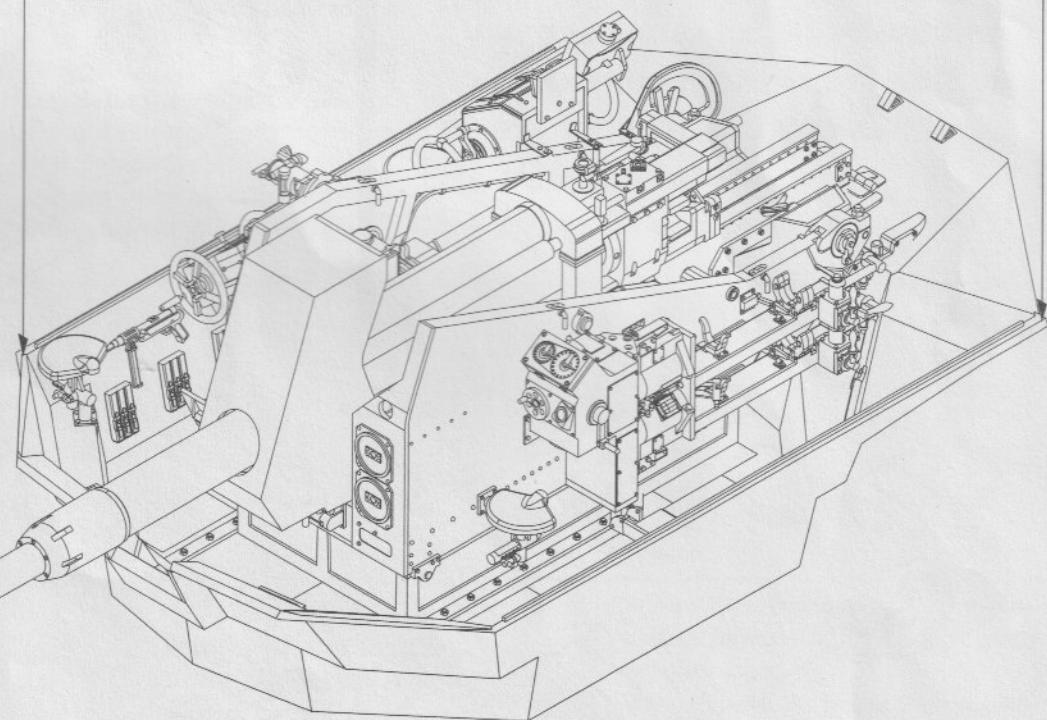
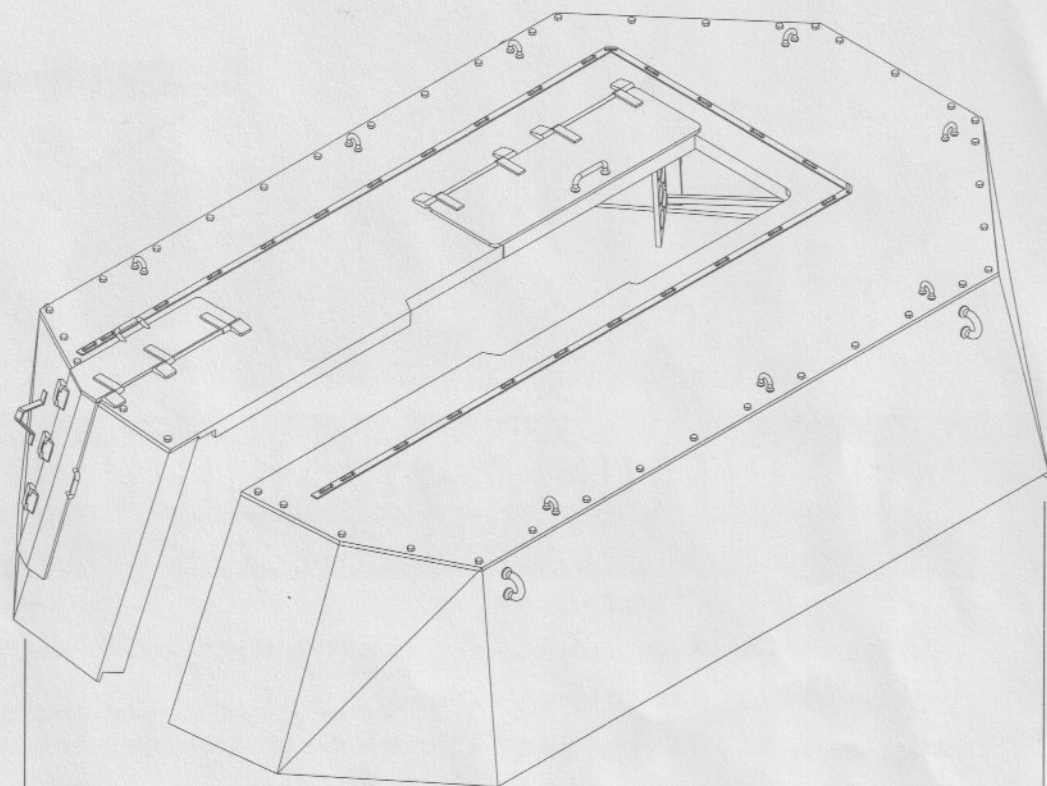


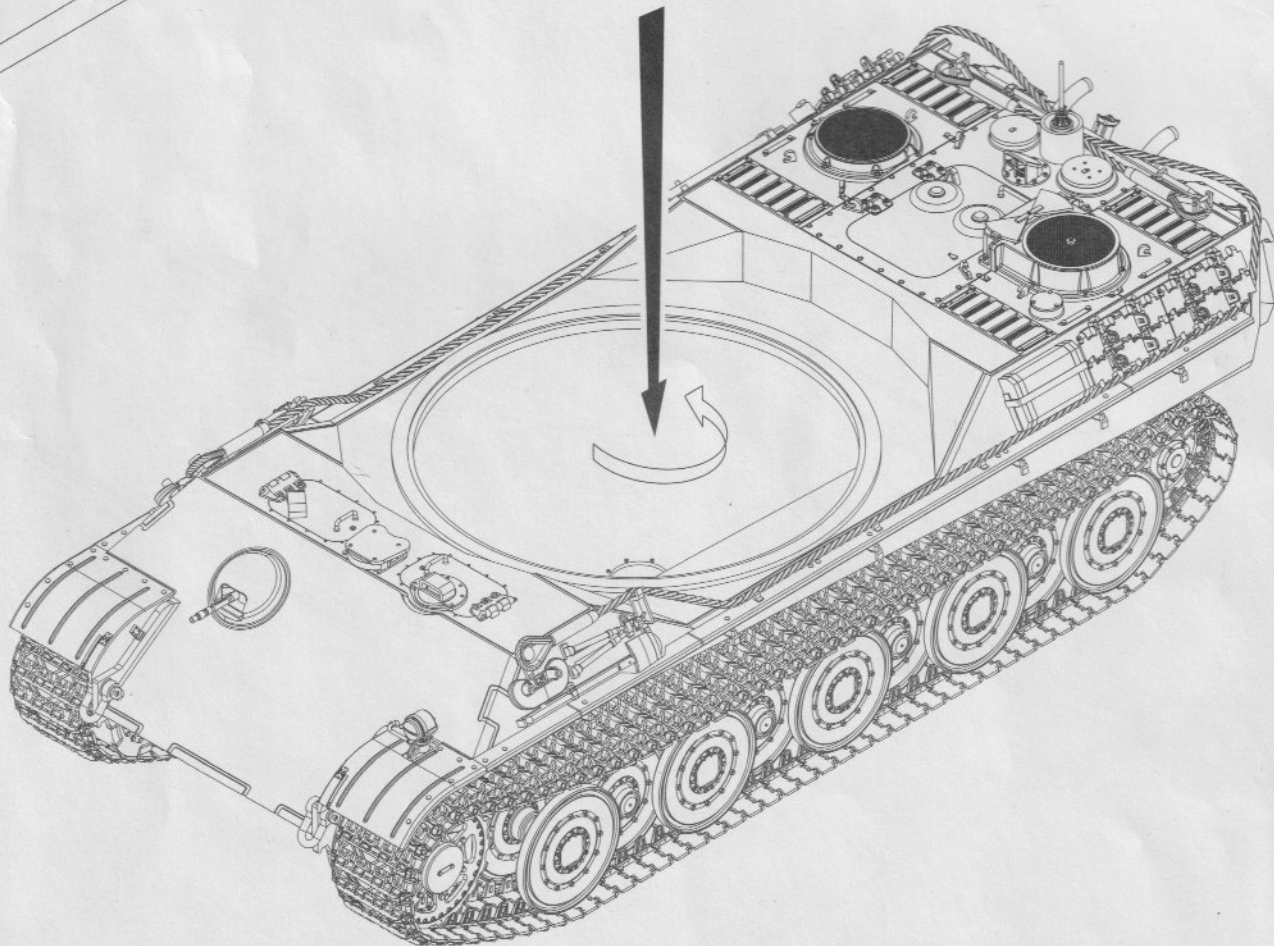
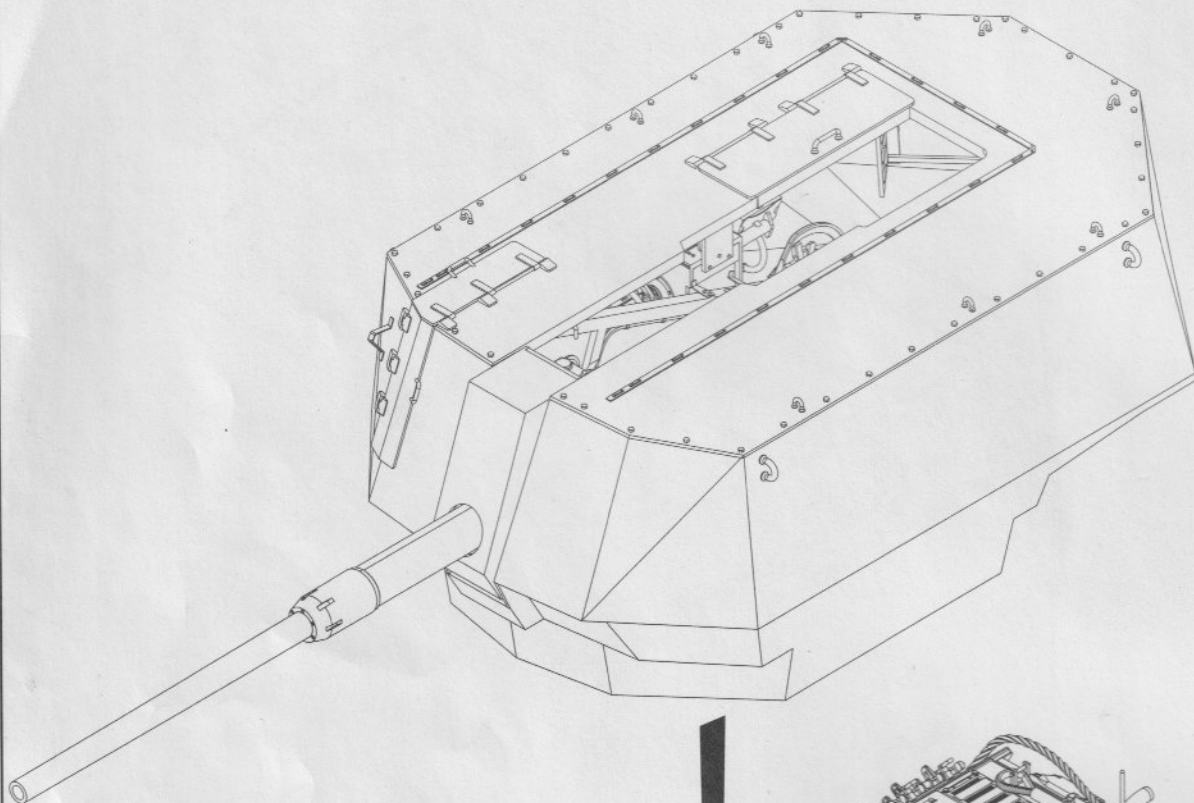
25









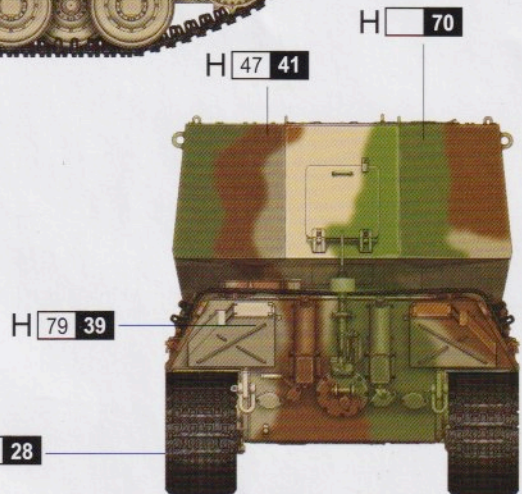
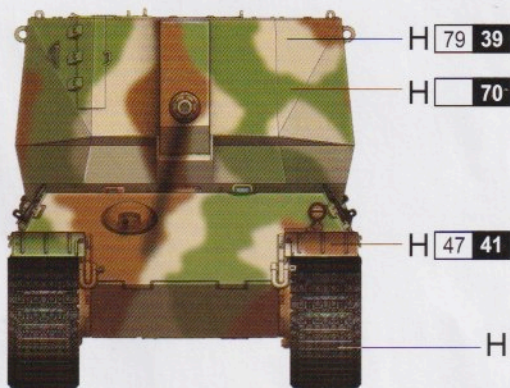
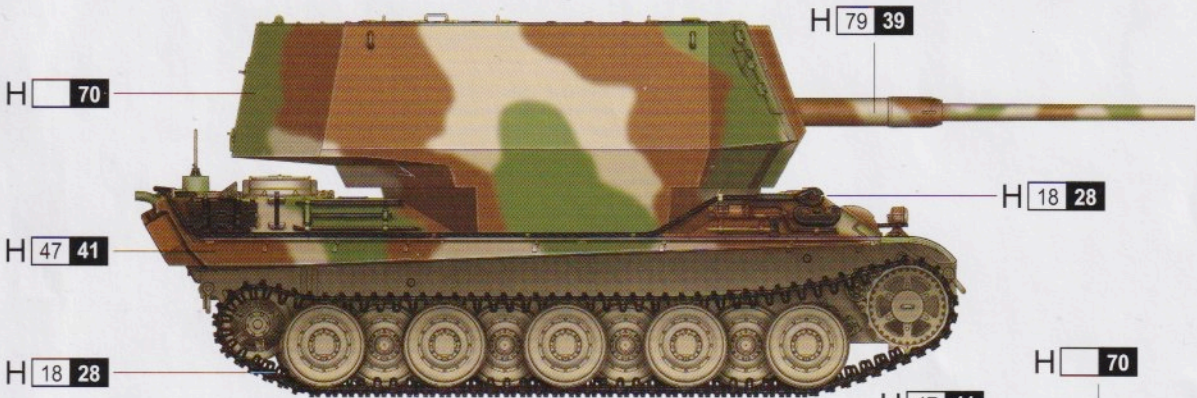
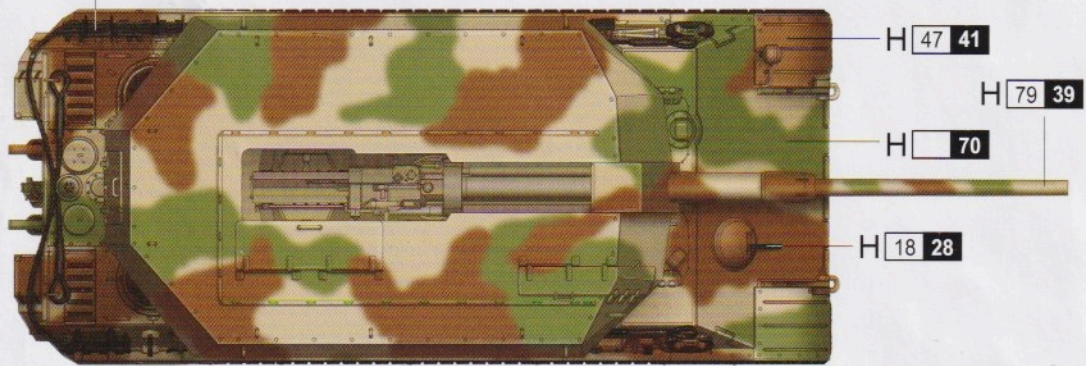
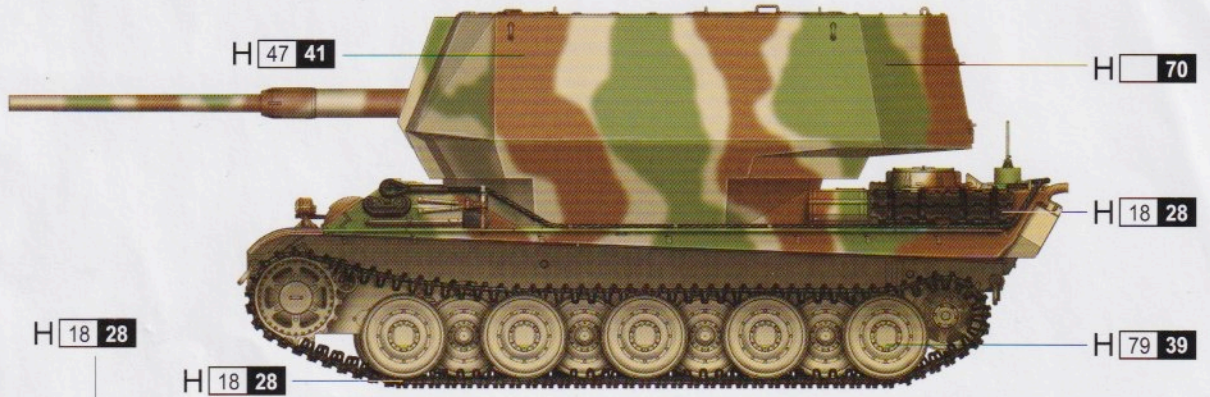


涂装同标贴指示

Painting & Marking guide

PAINT REFERENCE COLOR

Color	Mr.Hobby	Acrycion	Vallejo	Model Master	Tamiya	Humbrol
Dark Green 战车绿	H <input checked="" type="checkbox"/> 70	N <input type="checkbox"/>	—	—	—	—
Sandy Yellow(Dark Yellow) 砂黄色	H <input checked="" type="checkbox"/> 79 <input checked="" type="checkbox"/> 39	N <input checked="" type="checkbox"/> 79	824	—	XF59	93
Steel 黑铁色	H <input checked="" type="checkbox"/> 18 <input checked="" type="checkbox"/> 28	N <input checked="" type="checkbox"/> 18	864	1402	XF84	—
Red Black 红棕色	H <input checked="" type="checkbox"/> 47 <input checked="" type="checkbox"/> 41	N <input checked="" type="checkbox"/> 47	984	—	XF64	160



H AQUEOUS HOBBY COLOR Mr. COLOR
N ACRYCION COLOR