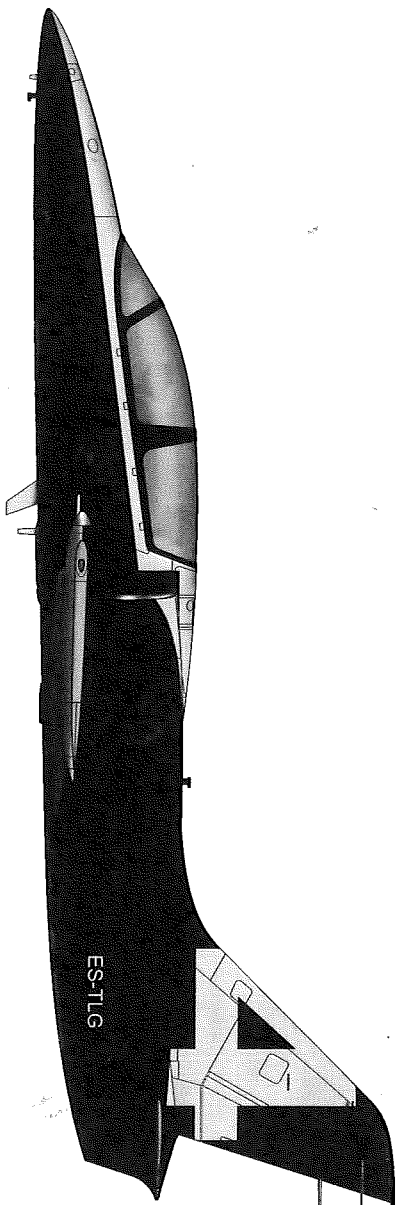


1/48 SCALE

ITEM NO.:05804



# L-39C Albatro

## L-39C “信天翁” 教练机

### READ BEFORE ASSEMBLY:





















- This kit is not recommended for inexperienced modelers or for children under 14 years of age
- Study and understand these instructions thoroughly before beginning assembly
- When needed, remove photo-etch parts carefully using a modeling knife or photo etch sprue cutter, being careful not to damage or lose small parts.
- Take extra care in handling photo etch parts in order to avoid injury
- Apply instant cement sparingly to photo etch parts where instructed
- Tools recommended(not included in kit):Plastic and instant cements,sprue cutters,long nose pliers,modeling knife, small files,tweezers,pin vise & scissors. Soft cloth and sandpaper will also assist in construction
- Glue and paint are not included in the kit. Use plastic cement and hobby paints only. Color guide for purchasing paint is included in the kit.
- Keep out of reach of children. They must not be allowed to ingest small parts or handle plastic bags in any way.
- 装配之前仔细阅读
- 小心用模型锉刀锉平所有零件表面的注射浇口。
- 小心用刀片切下蚀刻片零件，不要遗失小零件。
- 用强力快干胶水粘合蚀刻片零件和金属轴。过量的快干胶水使用可能导致可动零件会粘住。小心涂胶。
- 取蚀刻片时应特别注意安全，防止利刃划伤手指。
- 某些零件表面需贴水上贴纸，请选择在装配的同时进行。推荐模型工具(自备)：胶水，水口剪刀，长咀钳，刀片，锉刀，镊子钳，钻，剪刀，瞬间快干胶。
- 帆布同砂纸同时也应该是必备工具。
- 谨防小孩吸吮塑料零件，或者将塑料袋套在头上，制作时应将套材远离小孩接触。
- 本产品不适合14岁以下没有经验的模型爱好者。

### DECAL APPLICATION:

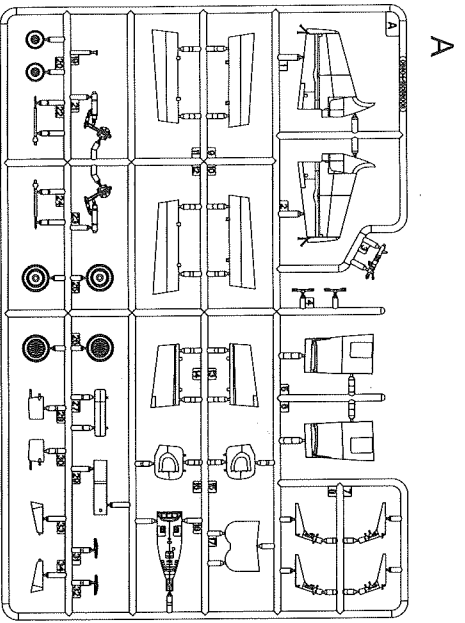
1. Cut decals from sheet as needed
2. Dip the decal in warm water for about 10 seconds and then place on soft clean cloth.
3. Hold the decal backing sheet edge and gently slide the decal onto the model in its proper position.
4. While still wet,decal can be adjusted for better fit on model by dampening it gently with your finger.
5. When placed in the proper position,gently press decal down with a soft cloth until excess water and air bubbles are gone.
6. Allow decal to dry completely before handling model

### 水贴纸的使用:

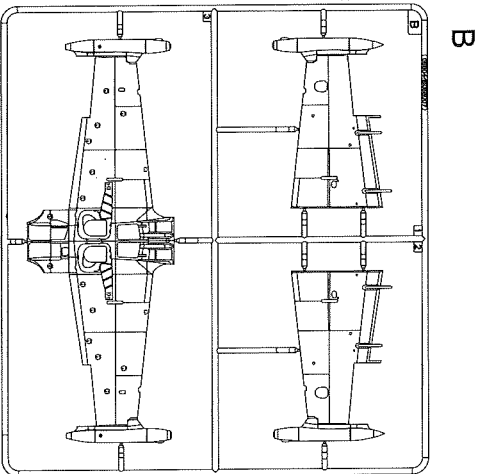
- 1.从水贴纸上剪下印花;
- 2.将印花放入温水中浸10秒,然后放在干净布上。
- 3.拿着印花纸版将印花移到模型上;
- 4.手指蘸水将印花移到适当的位置;
- 5.用软布轻压印花直至水干,气泡消失。

|   |                    |   |             |   |           |   |           |   |                  |
|---|--------------------|---|-------------|---|-----------|---|-----------|---|------------------|
|  | 使用锉刀磨              |  | 重量          |  | 钻孔        |  | 切除        |  | 先装               |
|  | Cyanoacrylate glue |  | Weight      |  | Make hole |  | Remove    |  | Install it first |
|  | 贴纸                 |  | 锉平          |  | 选择        |  | 不涂胶水      |  | 弯曲               |
|  | Decal              |  | File / Sand |  | Option    |  | No cement |  | Bend             |

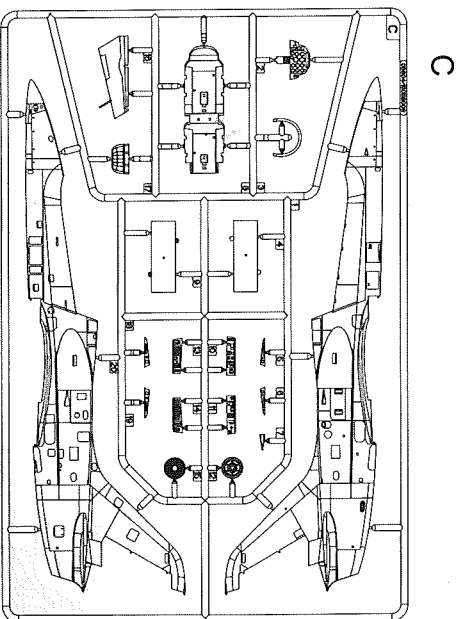
# 部品图 Parts



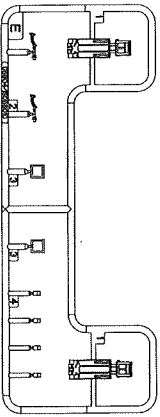
A



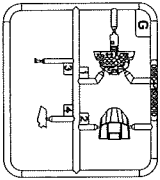
B



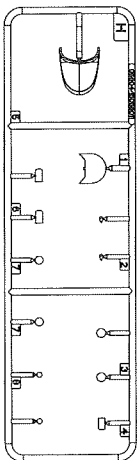
C



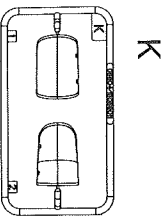
E



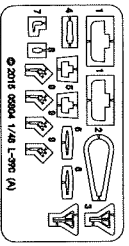
G



H



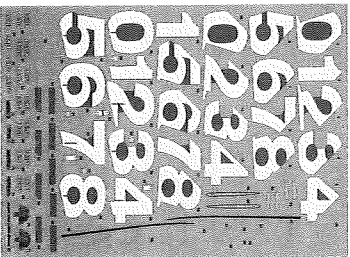
K



《蚀刻片》  
Photo etched part(PE)

© 2015 HOBAN 1/48 L-90 (A)

《水贴》A  
Decal A

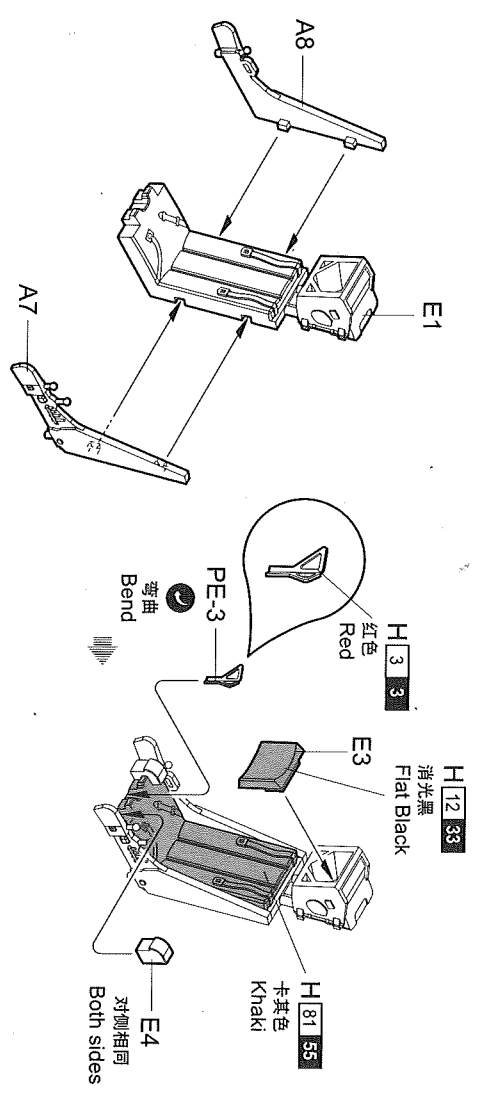


《水贴》B  
Decal B

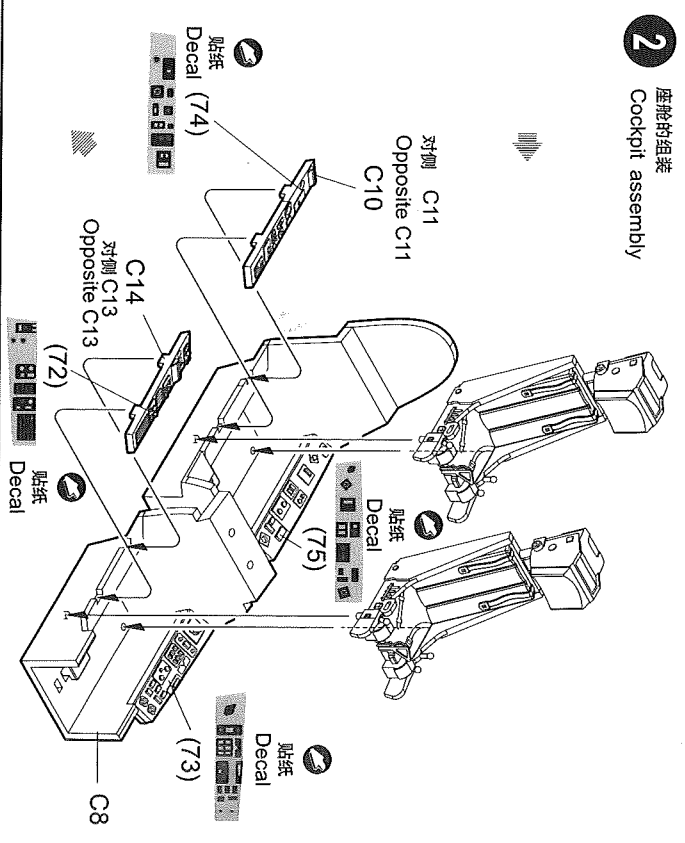


不用的零件: A18;A32;H1;H4;H6;H7;H8; PE6;PE7;PE9  
Unused parts

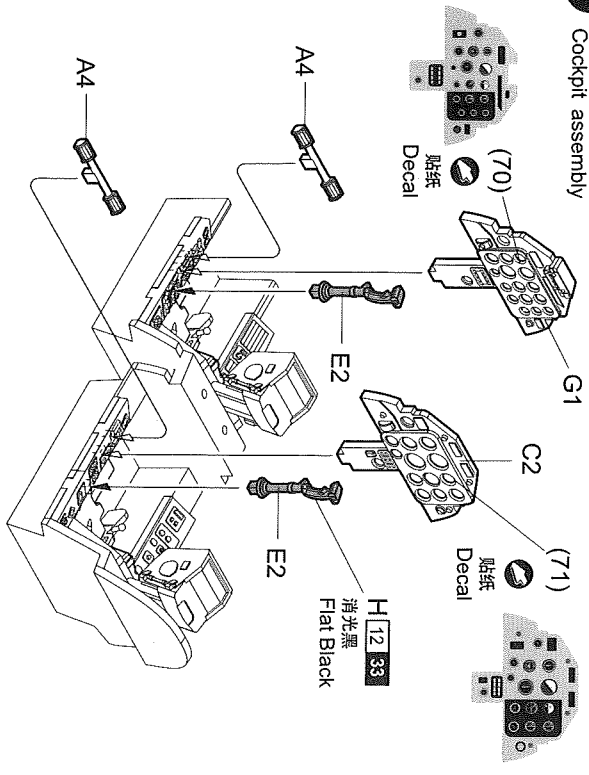
**1** 座椅的组装  
Pilot seat assembly  
制作2组  
Make two



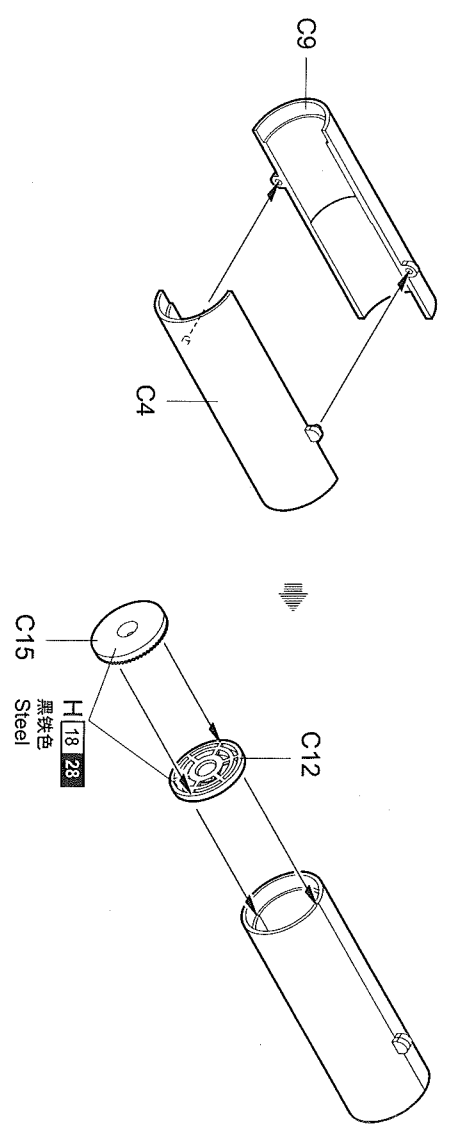
**2** 座舱的组装  
Cockpit assembly

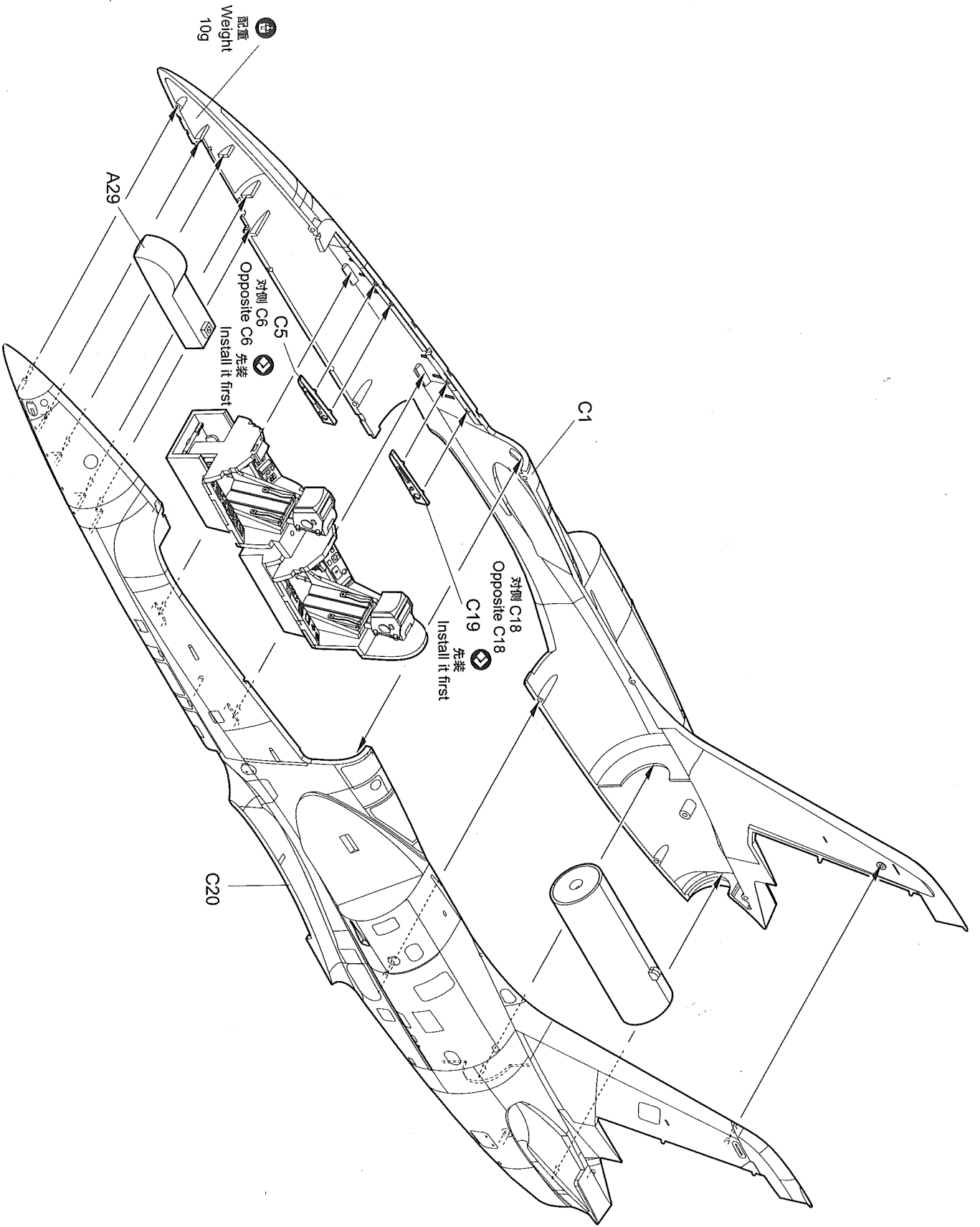


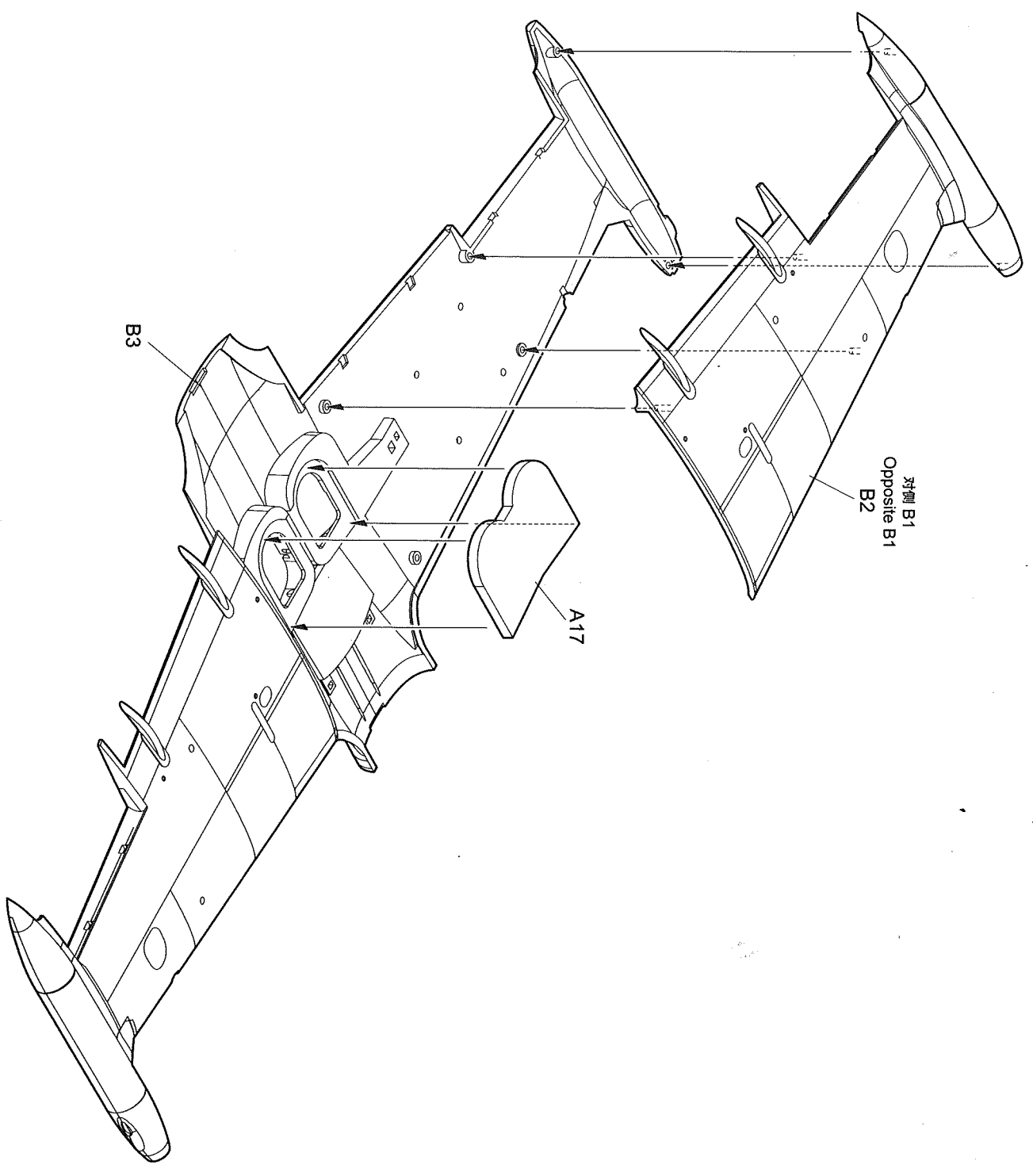
**3** 座舱的组装  
Cockpit assembly

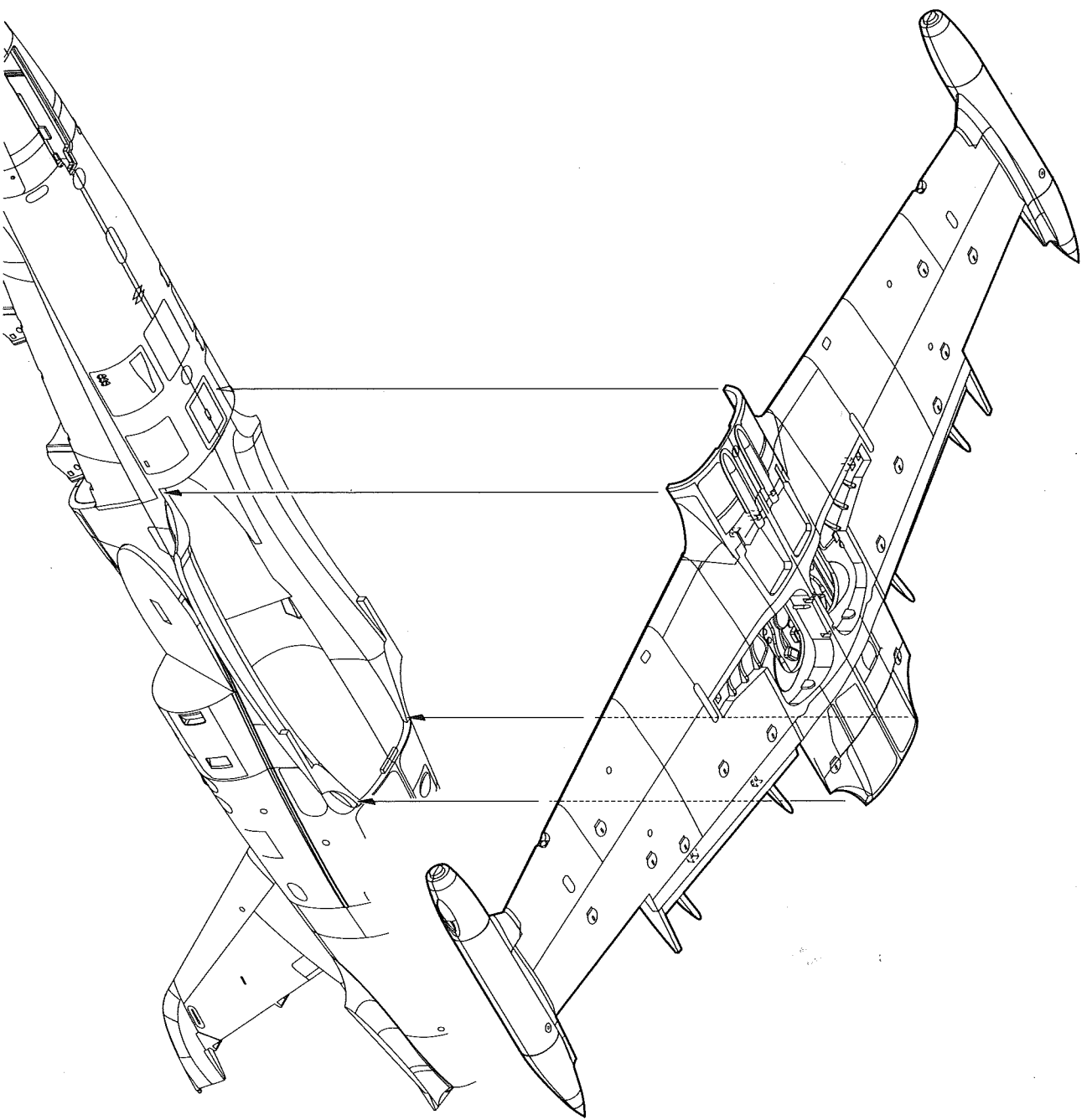


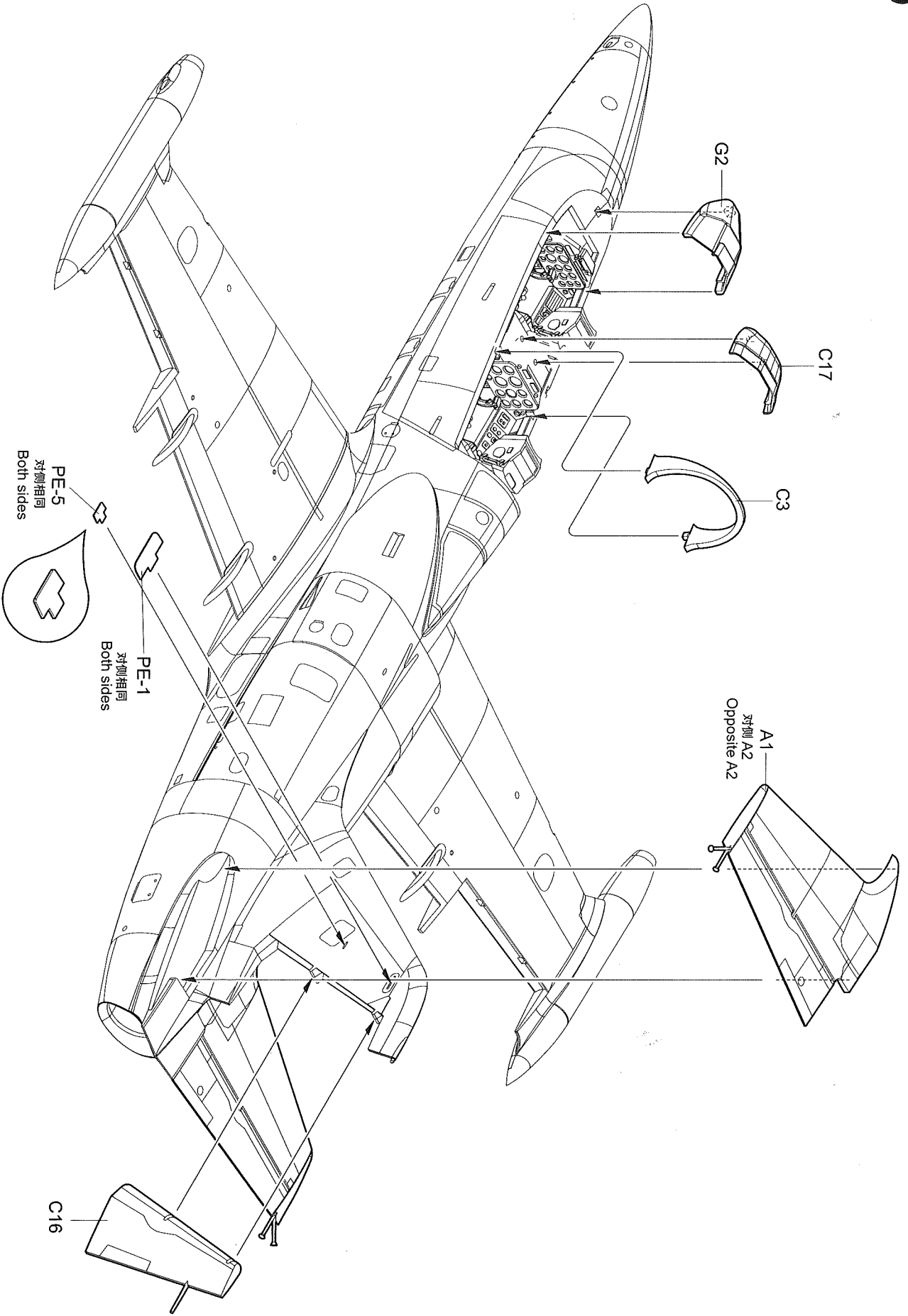
**4** 发动机的组装  
Engine assembly











展开状态/闭合  
Open / Close

选择 Option  
K1

选择 Option  
K2

H5

A19

PE-2

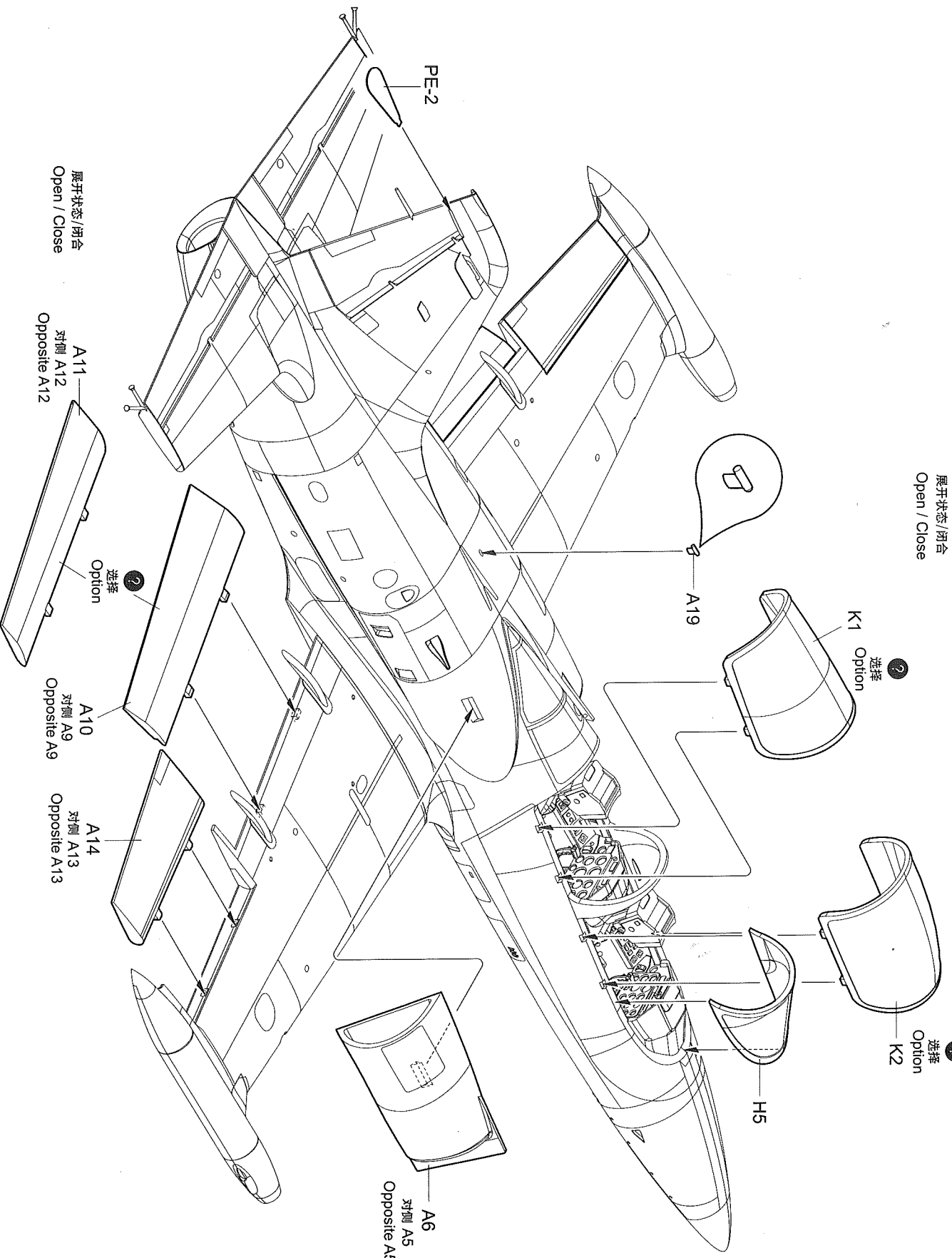
选择 Option  
A6  
对侧 A5  
Opposite A5

展开状态/闭合  
Open / Close

选择 Option  
A11  
对侧 A12  
Opposite A12

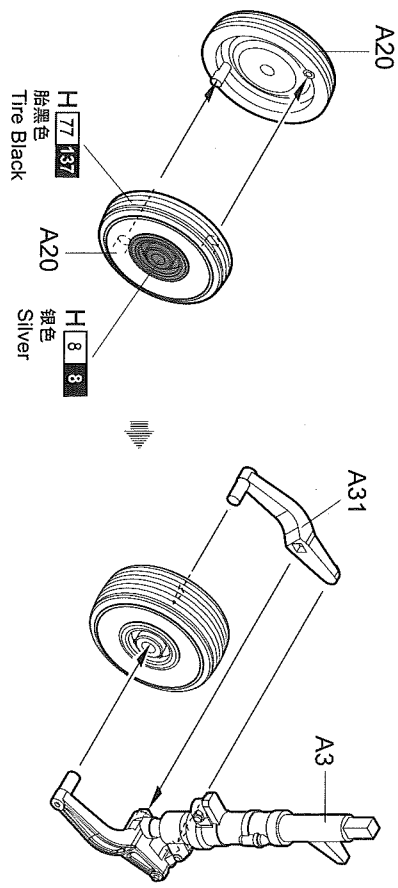
选择 Option  
A10  
对侧 A9  
Opposite A9

选择 Option  
A14  
对侧 A13  
Opposite A13



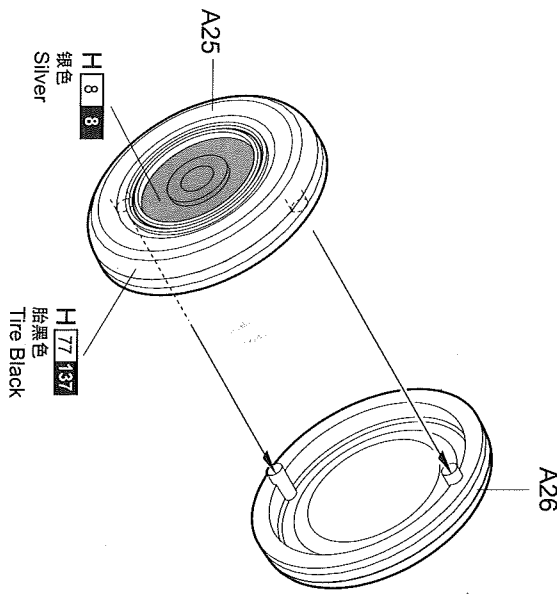
10

前起落架的组装  
Nose undercarriage assembly



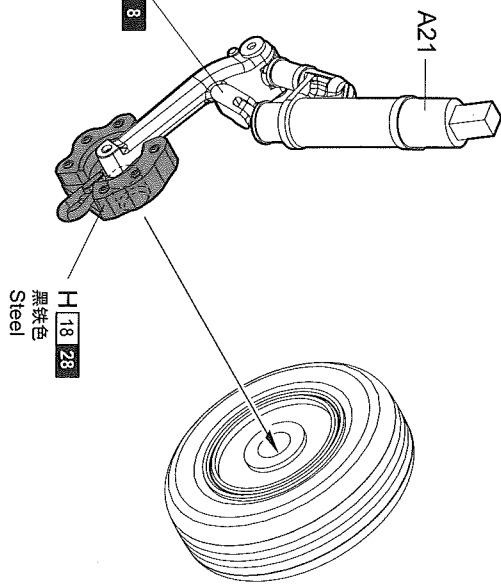
11

制作2组  
Make two

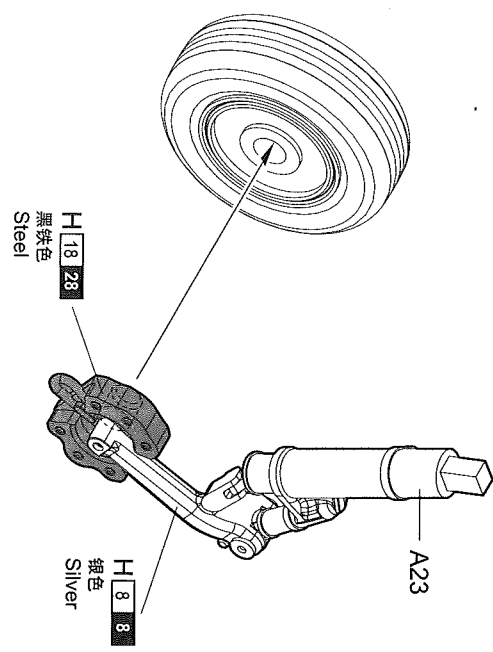


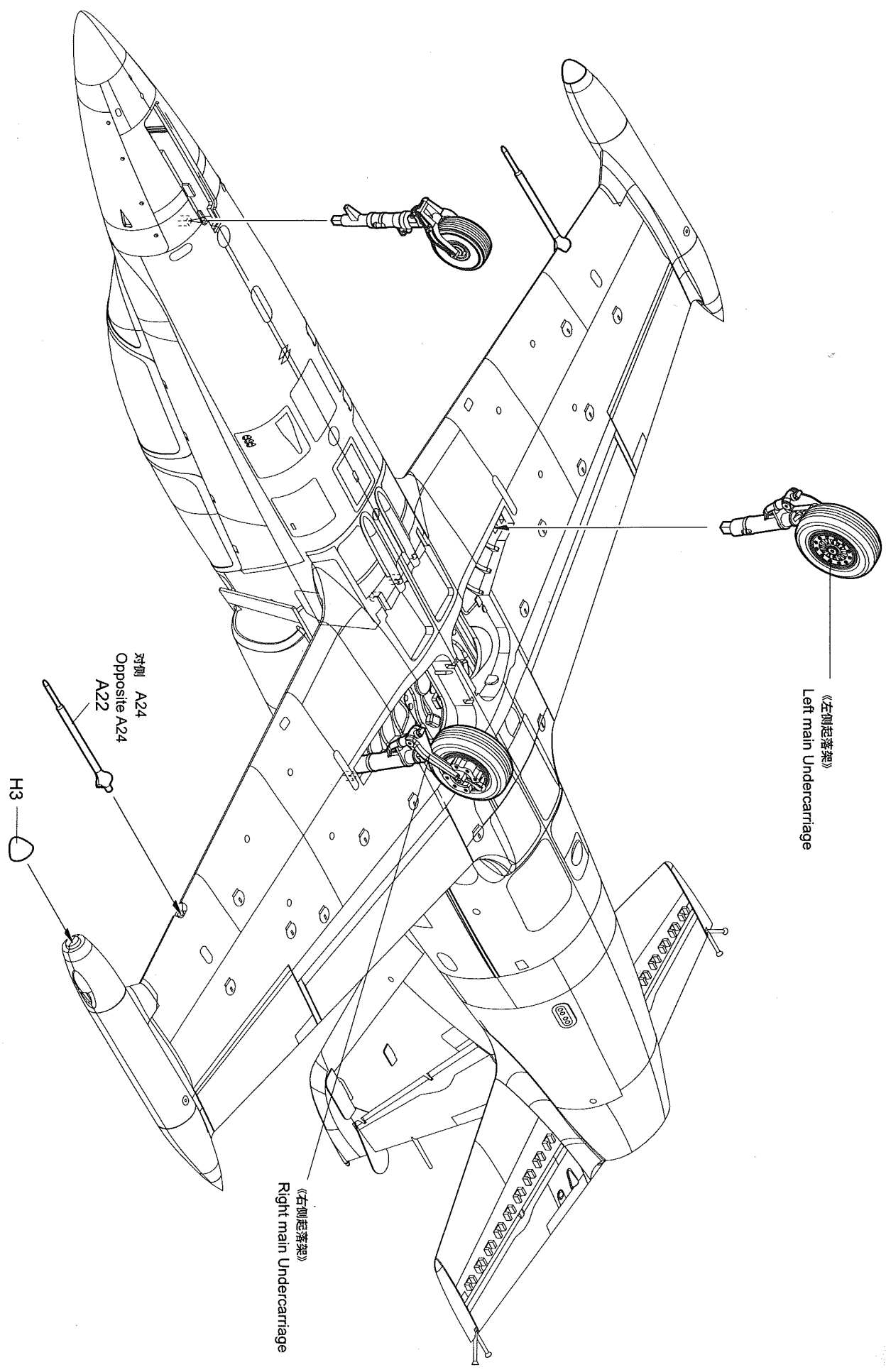
12

《左侧起落架》  
Left main Undercarriage



《右侧起落架》  
Right main Undercarriage





《左侧起落架》  
Left main Undercarriage

《右侧起落架》  
Right main Undercarriage

对侧 A24  
Opposite A24

A22

H3

两侧相同  
Both sides

