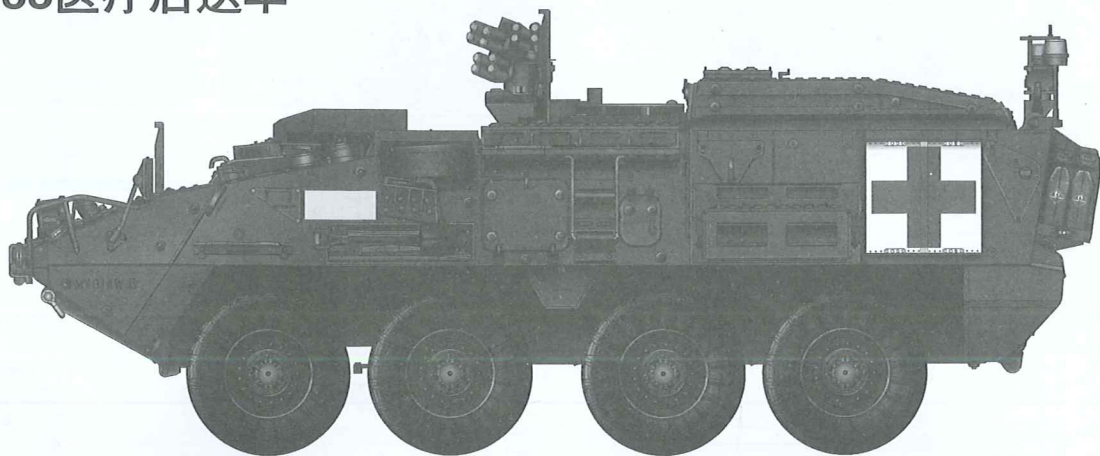


1:35 SCALE

ITEM NO.:01559

# M1133 Stryker MEV

## M1133医疗后送车



### READ BEFORE ASSEMBLY:

Study and understand these instructions thoroughly before beginning assembly

When needed, remove photo-etch parts carefully using a modeling knife or photo etch sprue cutter, being careful not to damage or lose small parts.

Take extra care in handling photo etch parts in order to avoid injury

Apply instant cement sparingly to photo etch parts where instructed

Tools recommended(not included in kit):Plastic and instant cements, sprue cutters,long nose pliers,modeling knife, small files, tweezers, pin vise & scissors. Soft cloth and sandpaper will also assist in construction

Glue and paint are not included in the kit. Use plastic cement and hobby paints only. Color guide for purchasing paint is included in the kit.

### 装配之前仔细阅读

- 小心用模型锉刀锉平所有零件表面的注射浇口。
- 小心用刀片切下蚀刻片零件，不要遗失小零件。
- 用强力快干胶水粘合蚀刻片零件和金属轴。过量快干胶水使用可能导致可动零件会粘住，小心涂胶。
- 取蚀刻片时应特别注意安全，防止利边划伤手指。
- 某些零件表面需贴上水贴纸，请选择在装配的同时进行。
- 推荐模型工具(自备)：胶水，水口剪刀，长咀钳，刀片，锉刀，镊子，钳，钻，剪刀，瞬间快干胶。
- 软布同砂纸同时也应该是必备工具。
- 请使用塑料胶水和油漆，模型内不含。



配重  
Weight



使用强力胶  
Cyanoacrylate glue



钻孔  
Make hole



切除  
Cut / Remove



贴纸  
Decal



锉平  
File / Sand



选择  
Option



不涂胶水  
No cement



弯曲  
Bend

### 贴纸的使用:

从水贴上剪下印花;

将印花放入温水中浸10秒, 然后放在干净布上。

拿着印花纸板将印花移到模型上;

手指蘸水将印花移到适当的位置;

用软布轻压印花直至水干, 气泡消失

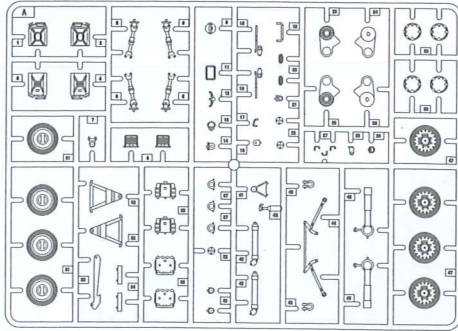
### DECAL APPLICATION

- 1.Cut decals from sheet as needed
- 2.Dip the decal in warm water for about 10 seconds and then place on soft clean cloth.
- 3.Hold the decal backing sheet edge and gently slide the decal onto the model in its proper position.

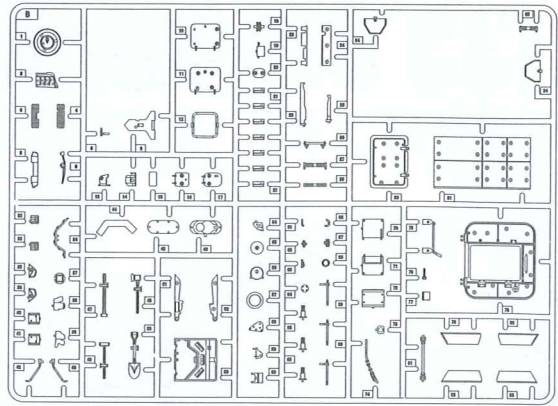
- 4.While still wet,decal can be adjusted for better fit on model by dampening it gently with your finger.
- 5.When placed in the proper position,gently press decal down with a soft cloth until excess water and air bubbles are gone.
- 6.Allow decal to dry completely before handling model

# 部品图 Parts

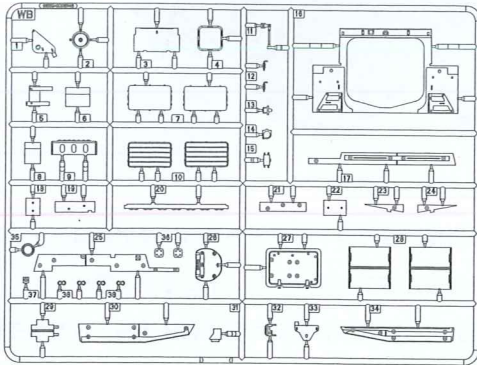
A × 2



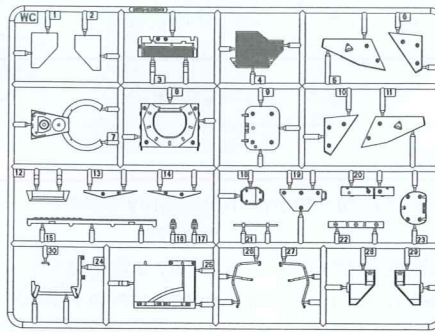
B



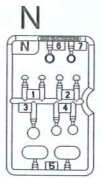
WB



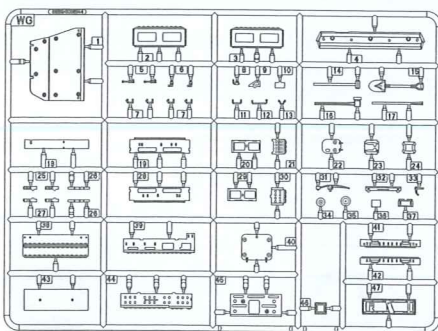
WC



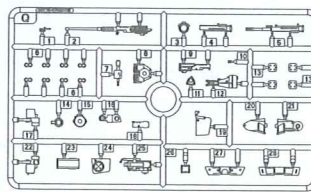
《轮胎》 × 8  
Tyre × 8



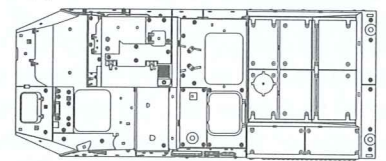
WG



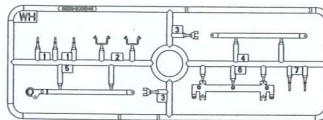
Q



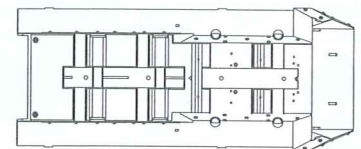
《车面》  
Upper hull



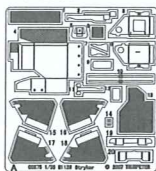
WH



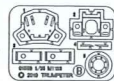
《车底》  
Lower hull



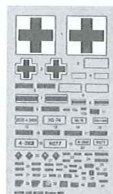
《蚀刻片A》  
PE-A



《蚀刻片B》  
PE-B



《水贴纸》  
Decal

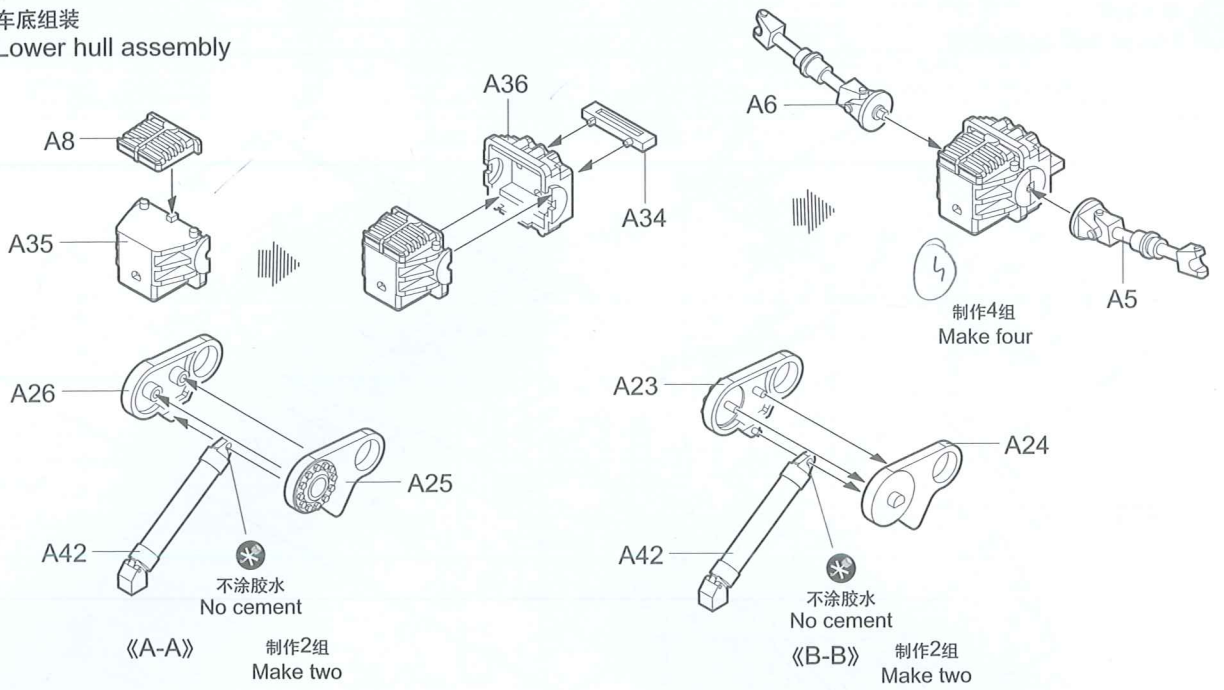


《食品箱》  
MRE ration parts

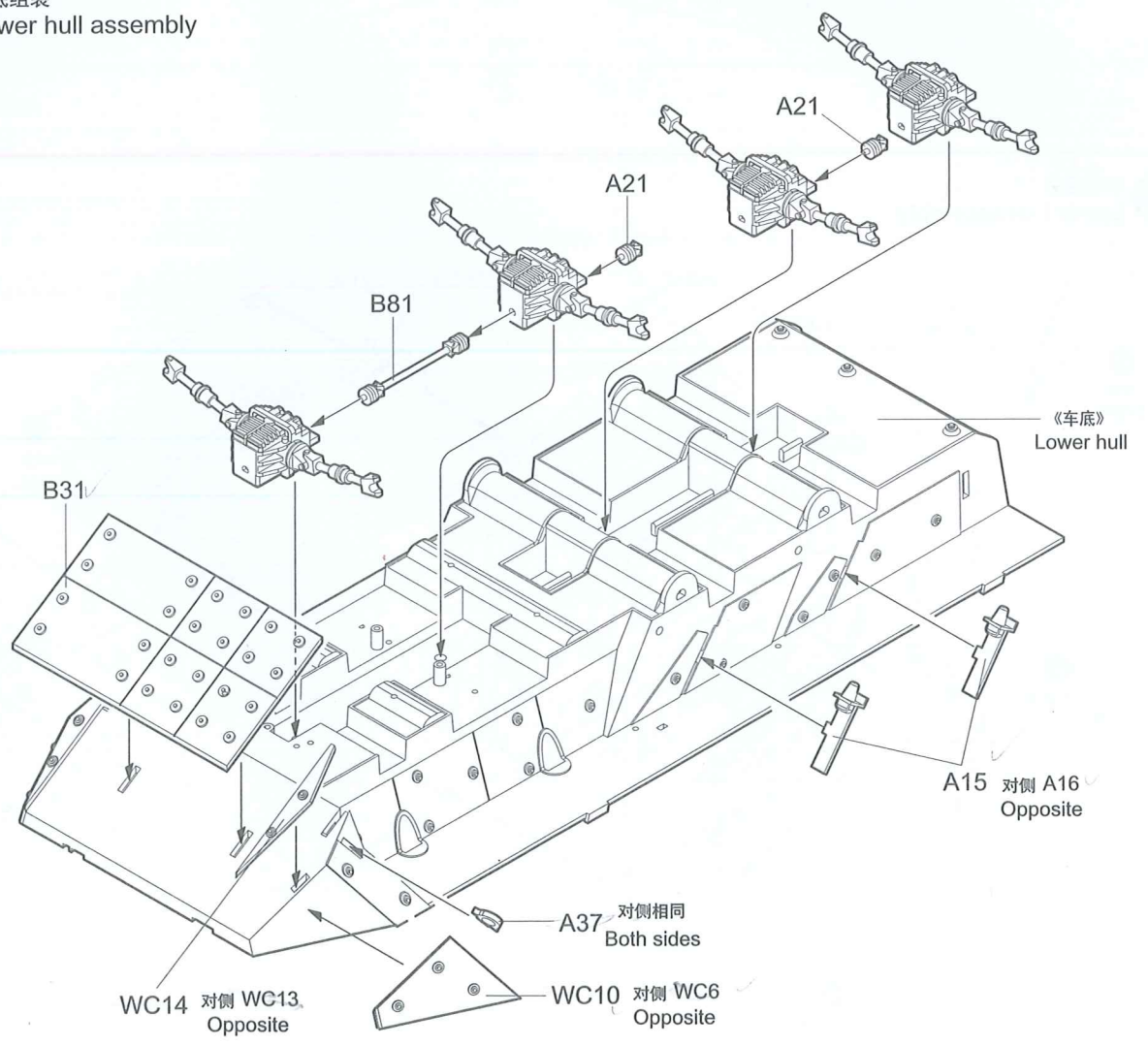


不用部品: A48,B6,B10,B12,B15,B17,B19,B26,B30,B47,B48,B49,50,B57,B64,WC23,WC24,N3,N5  
Unused parts

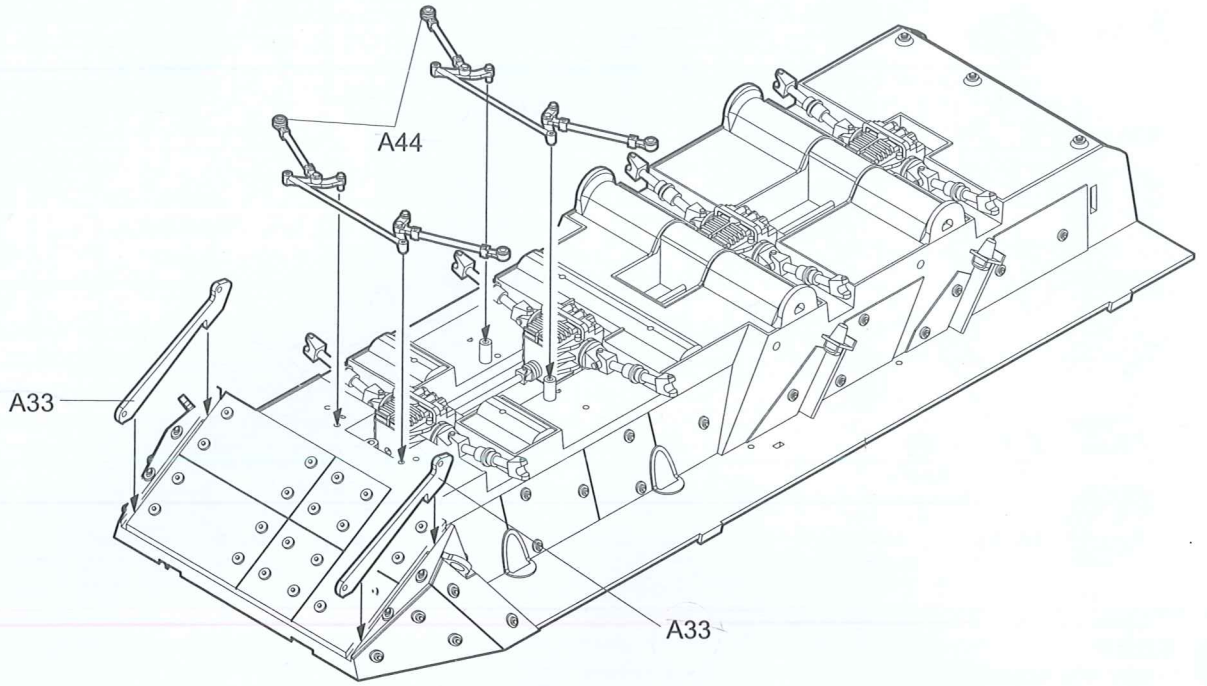
**1** 车底组装  
Lower hull assembly



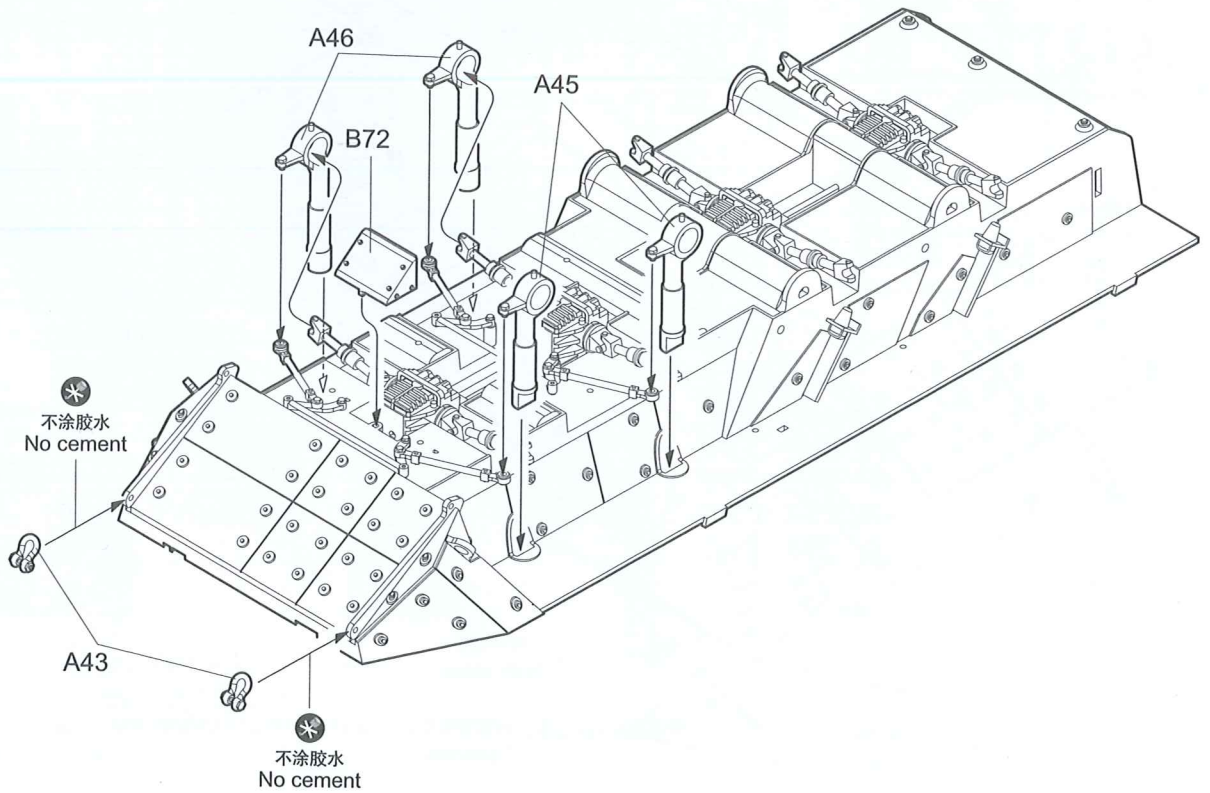
**2** 车底组装  
Lower hull assembly



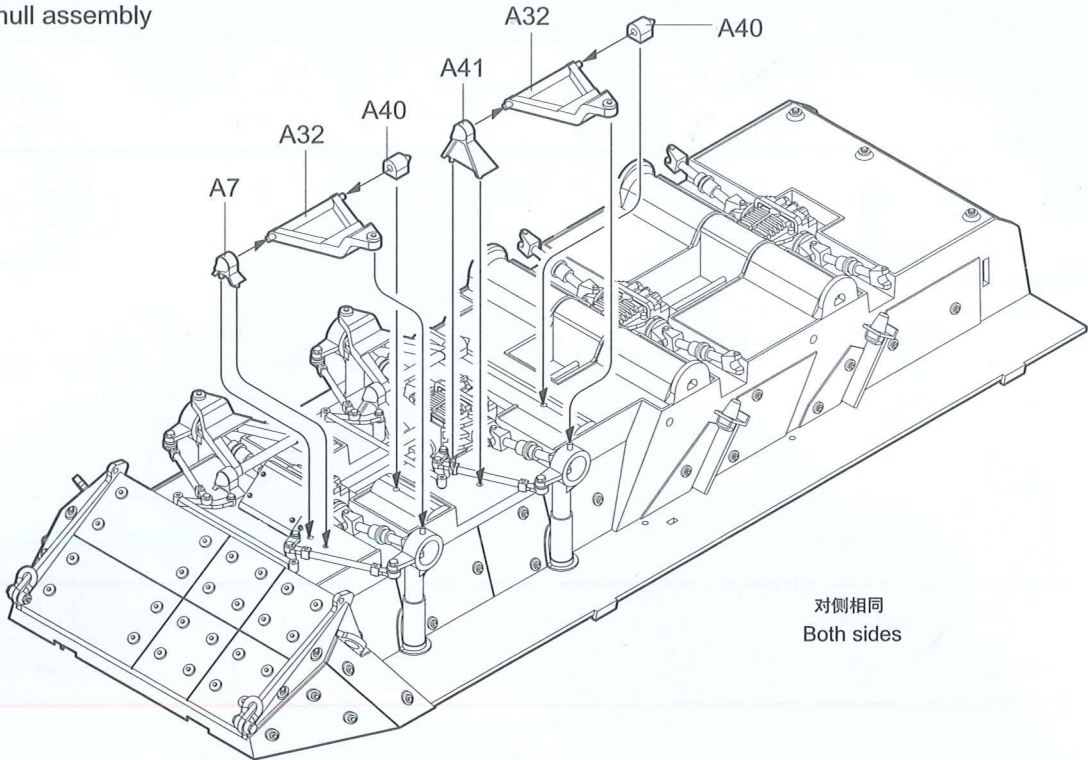
**3** 车底组装  
Lower hull assembly



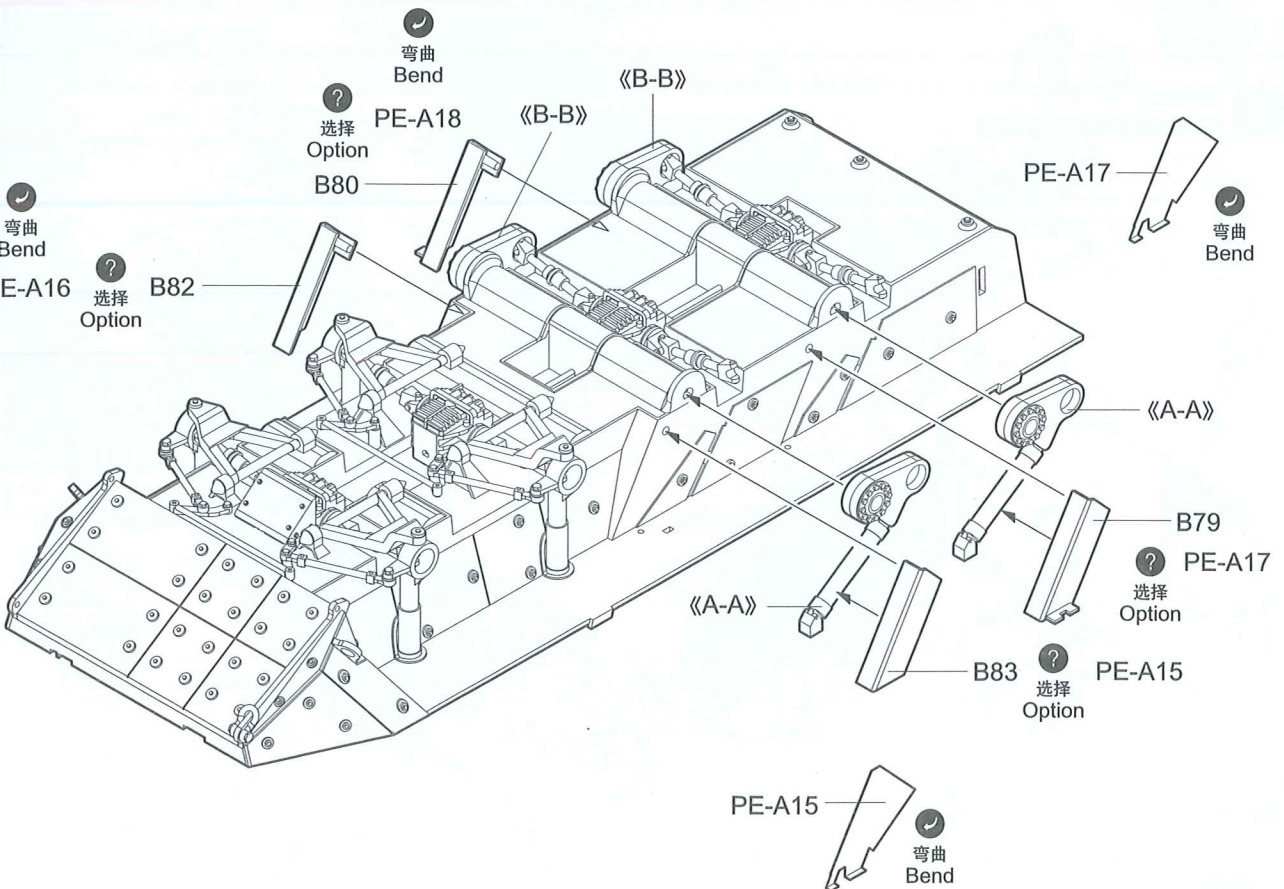
**4** 车底组装  
Lower hull assembly



车底组装  
Lower hull assembly

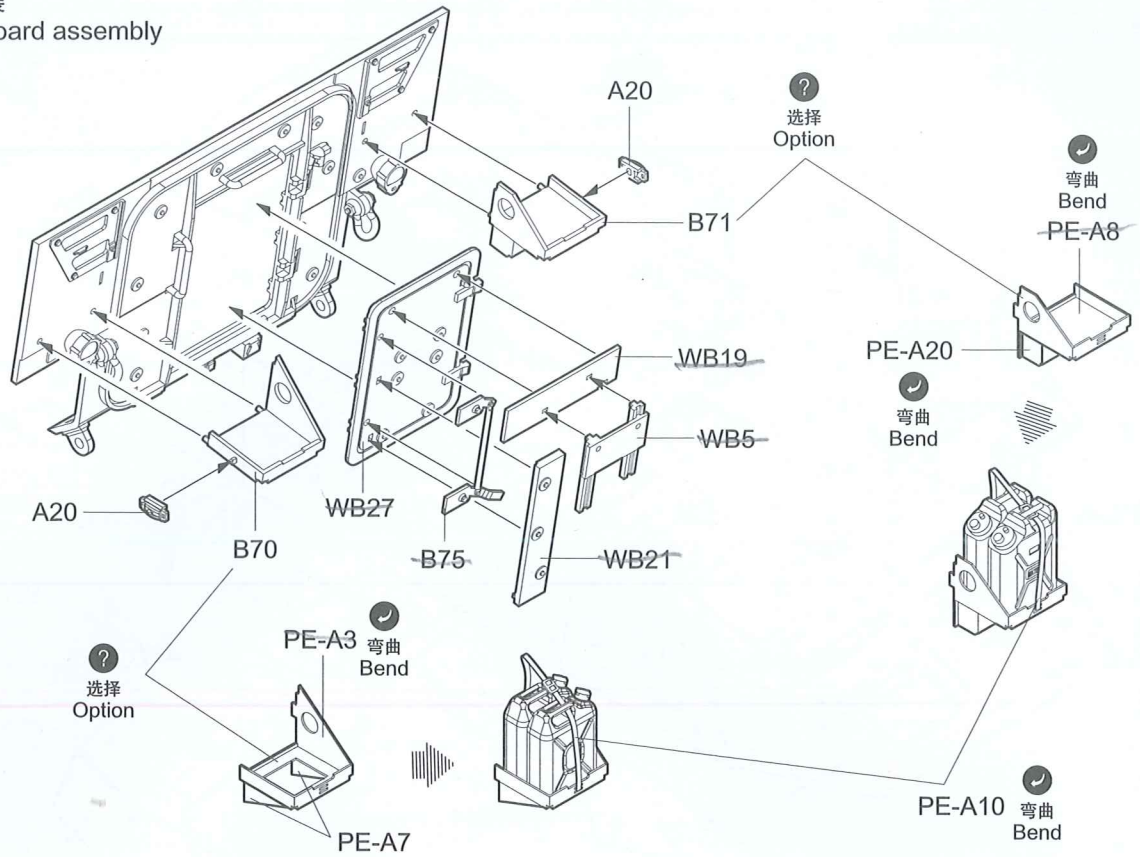


车底组装  
Lower hull assembly

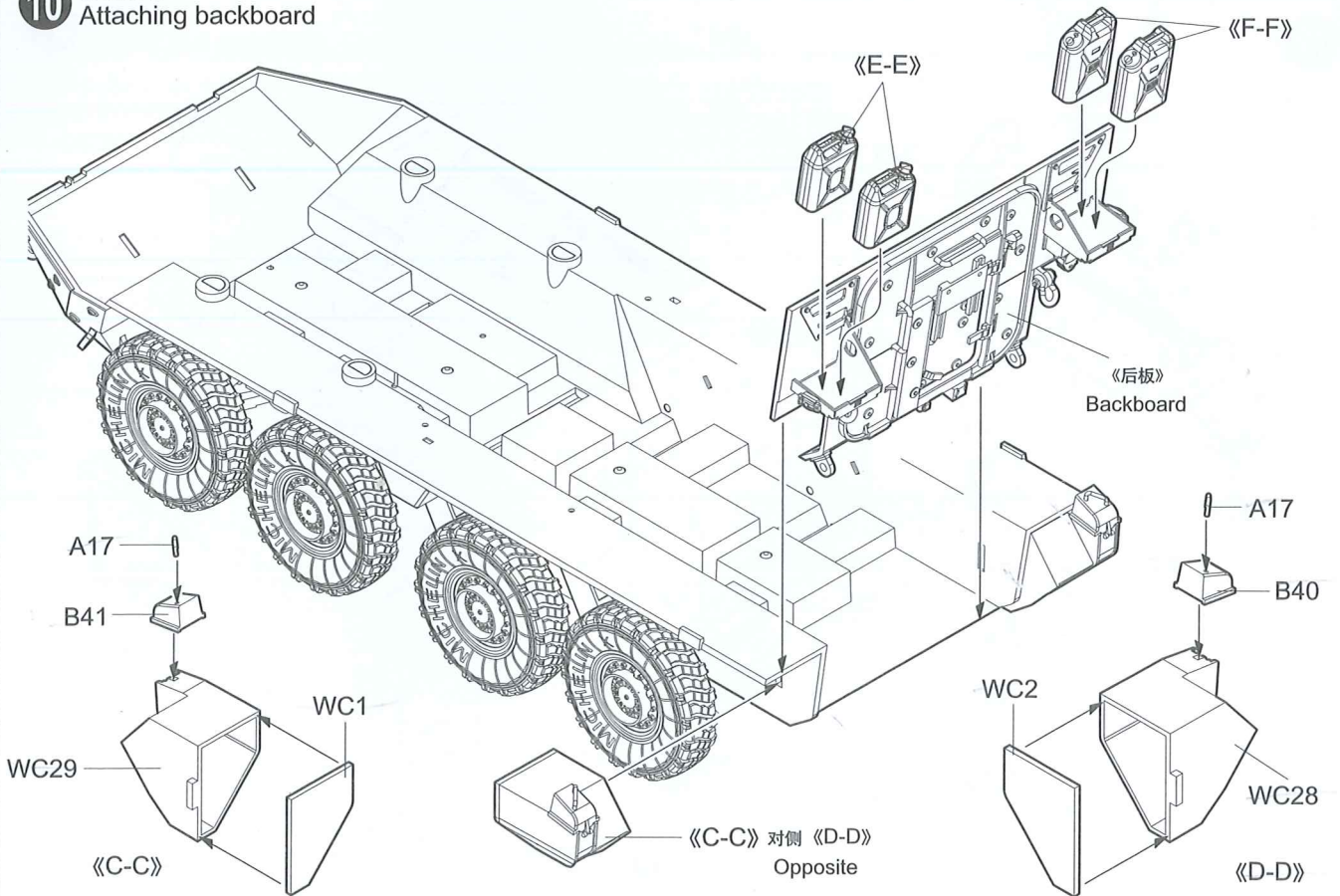




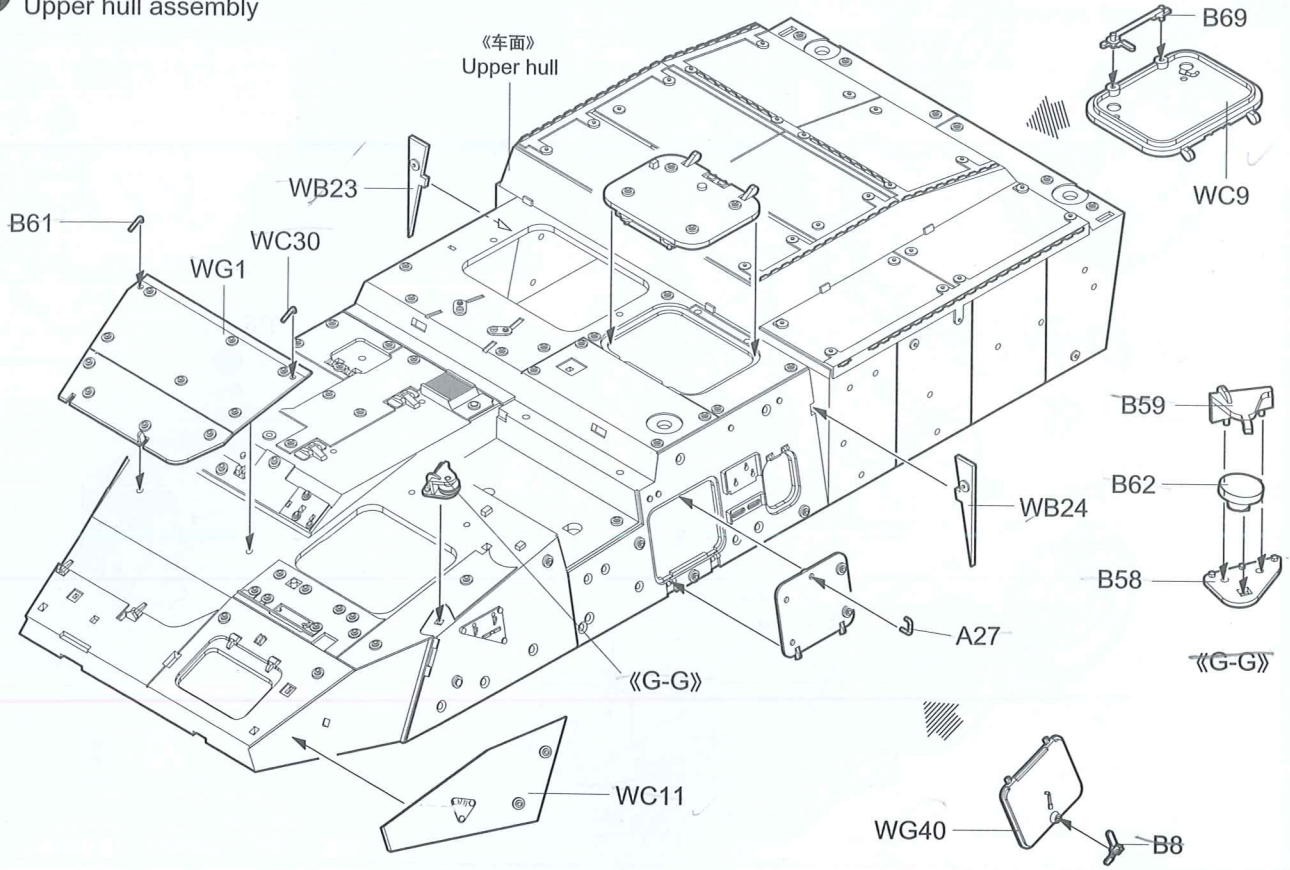
**9** 后板组装  
Backboard assembly



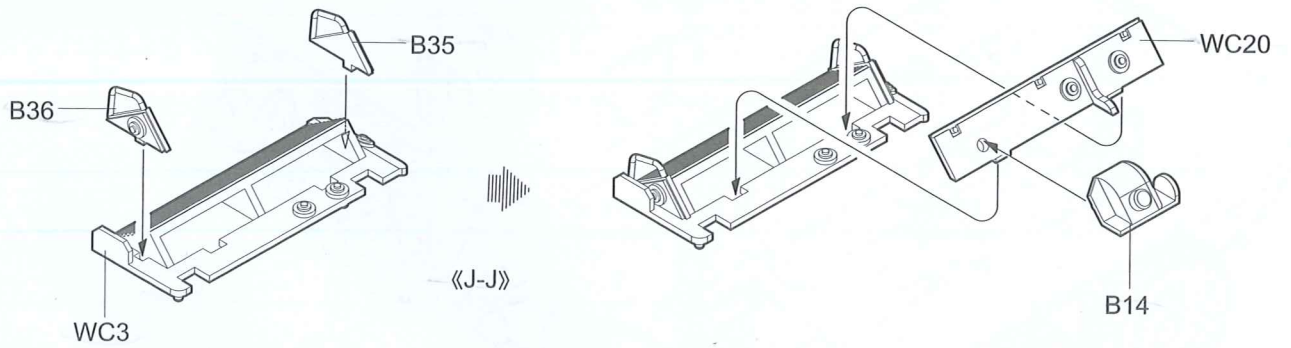
**10** 后板安装  
Attaching backboard



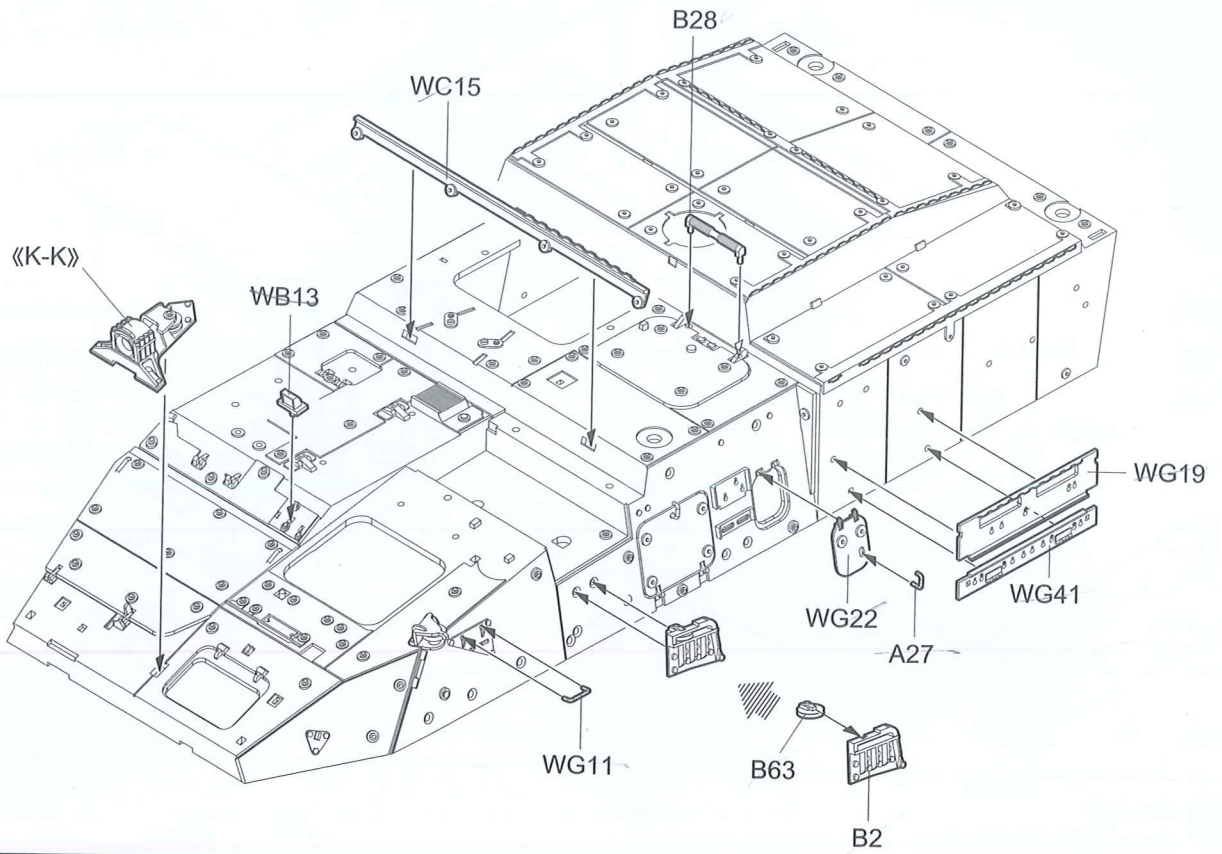
**11** 车面组装  
Upper hull assembly



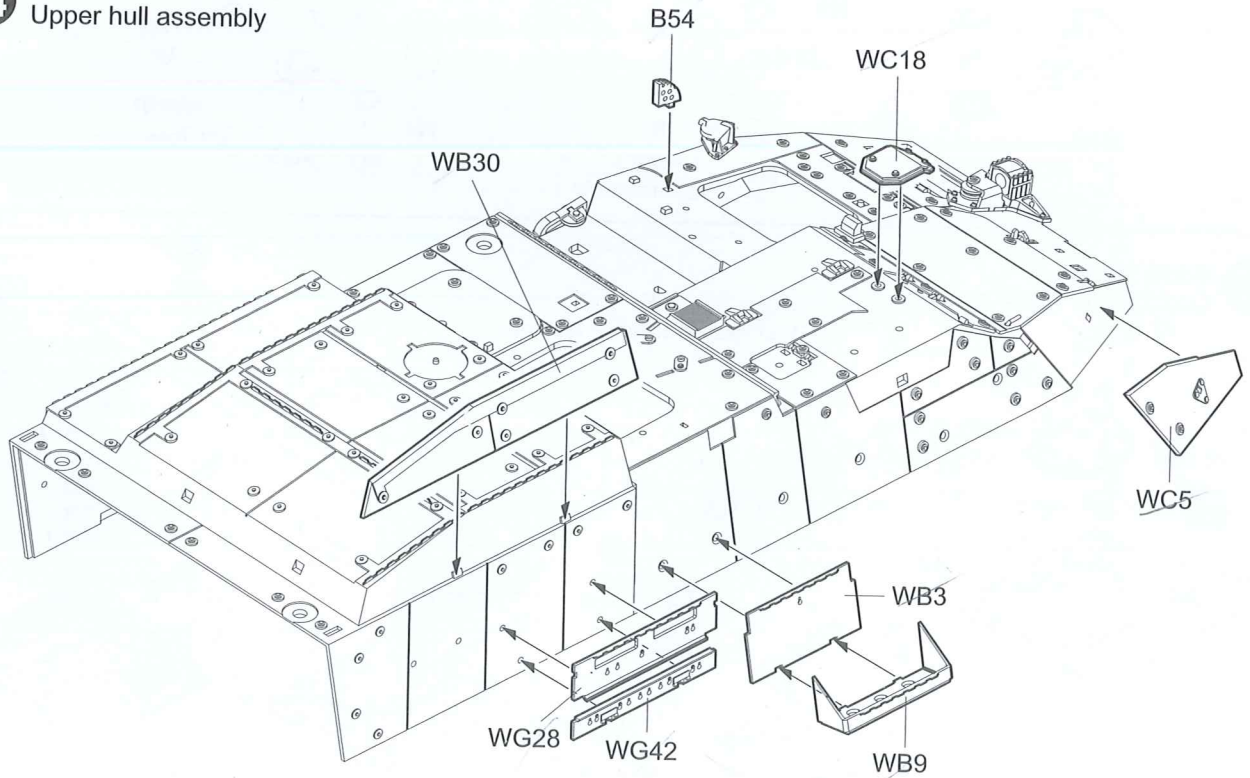
**12**



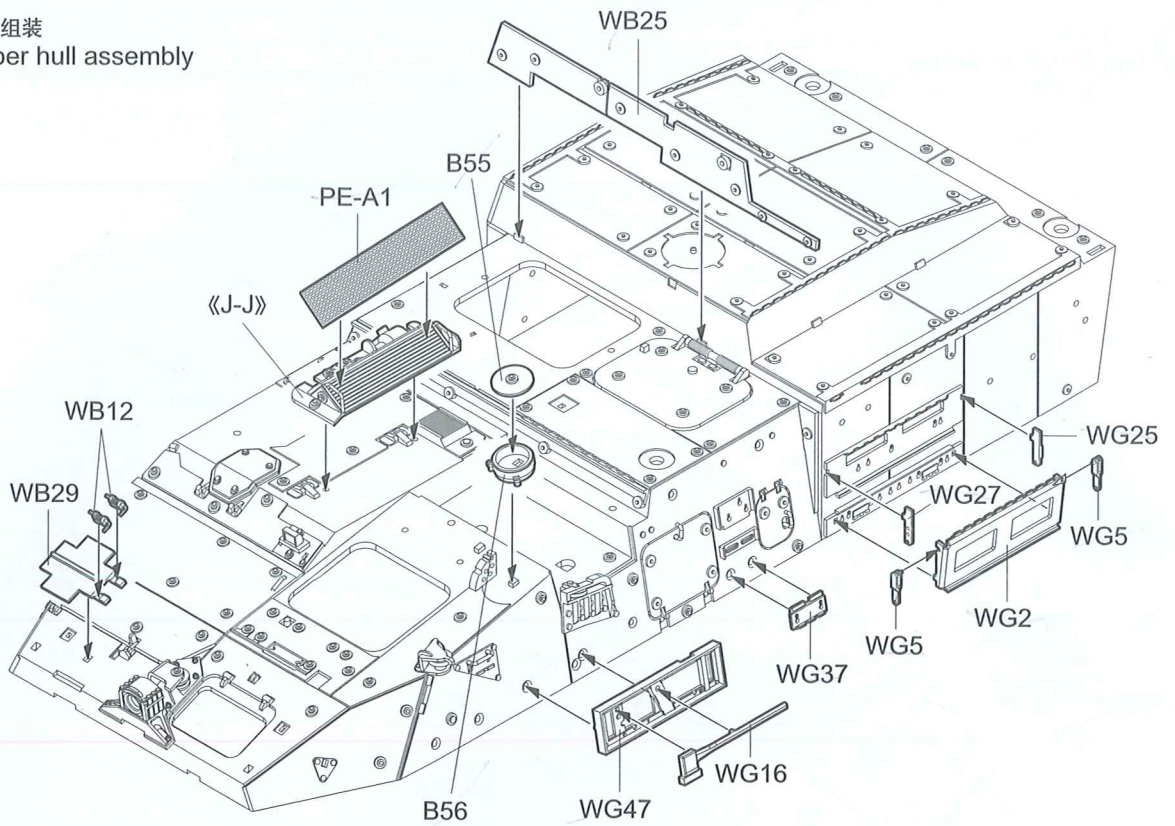
**13** 车面组装  
Upper hull assembly



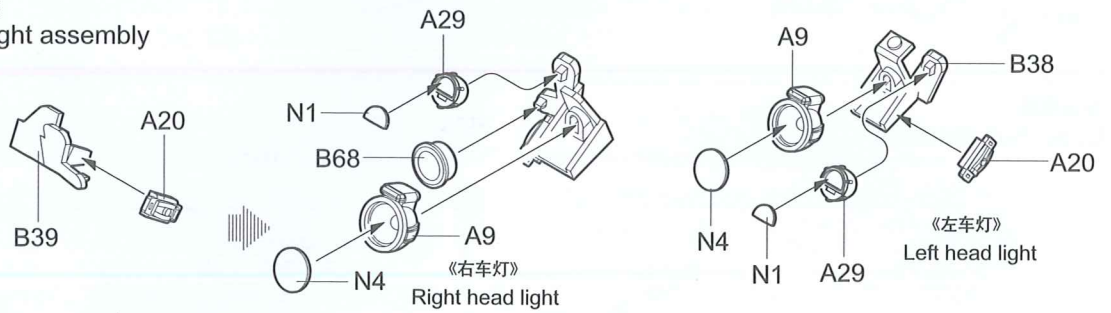
**14** 车面组装  
Upper hull assembly



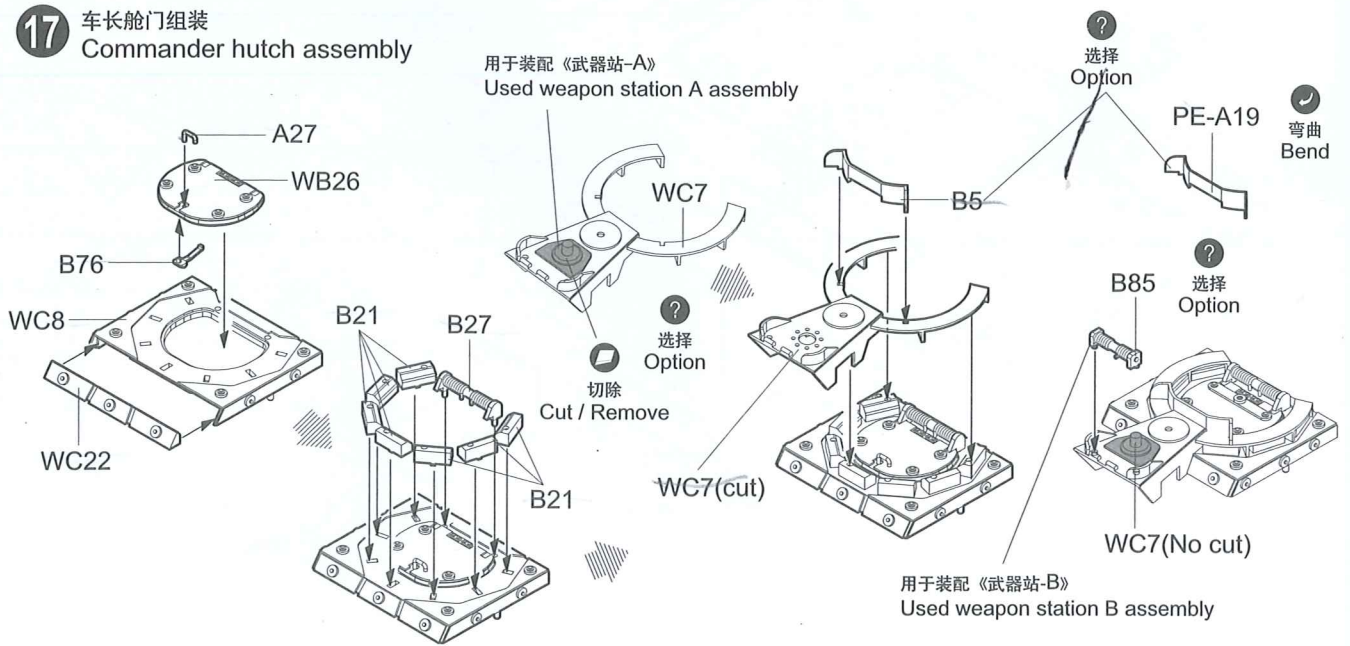
**15** 车面组装  
Upper hull assembly



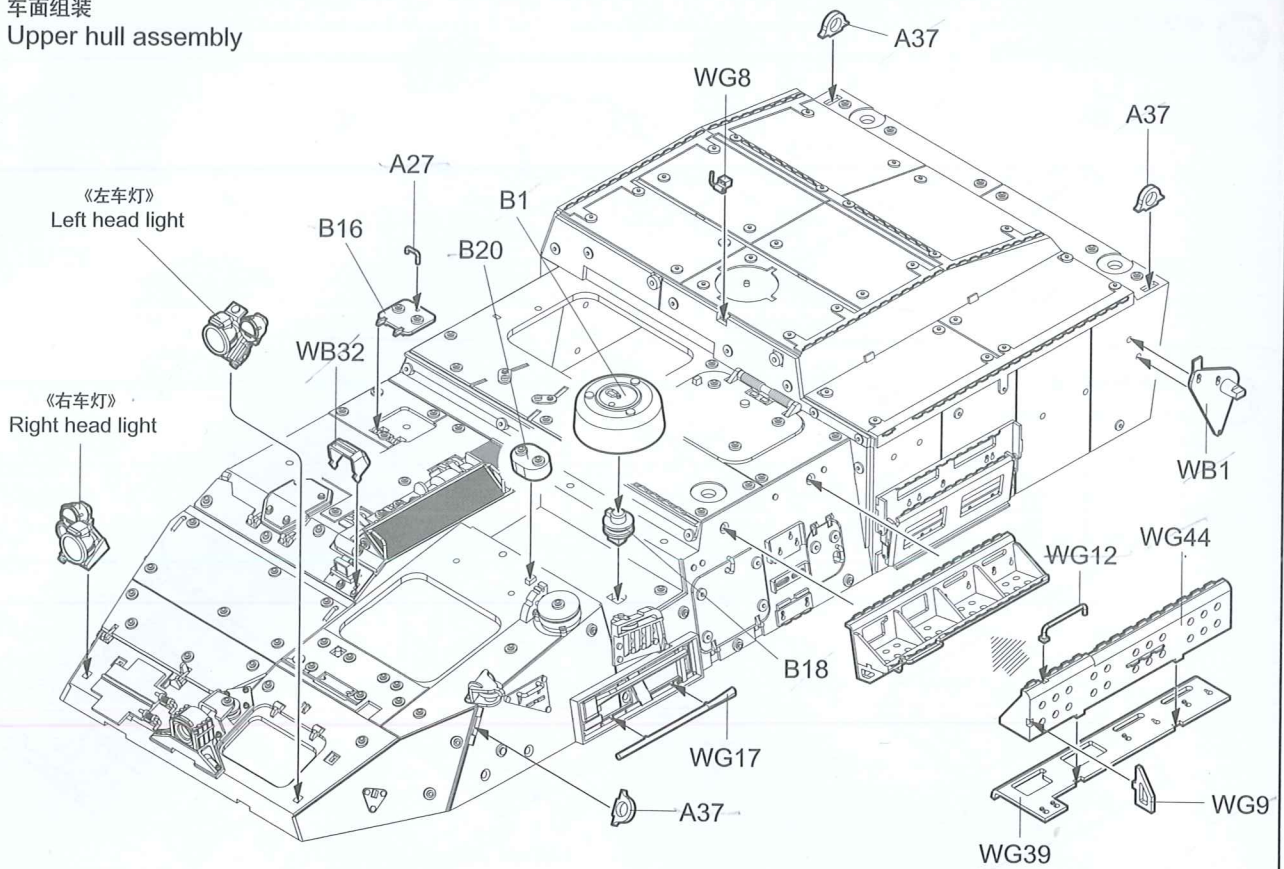
**16** 车灯组装  
Head light assembly



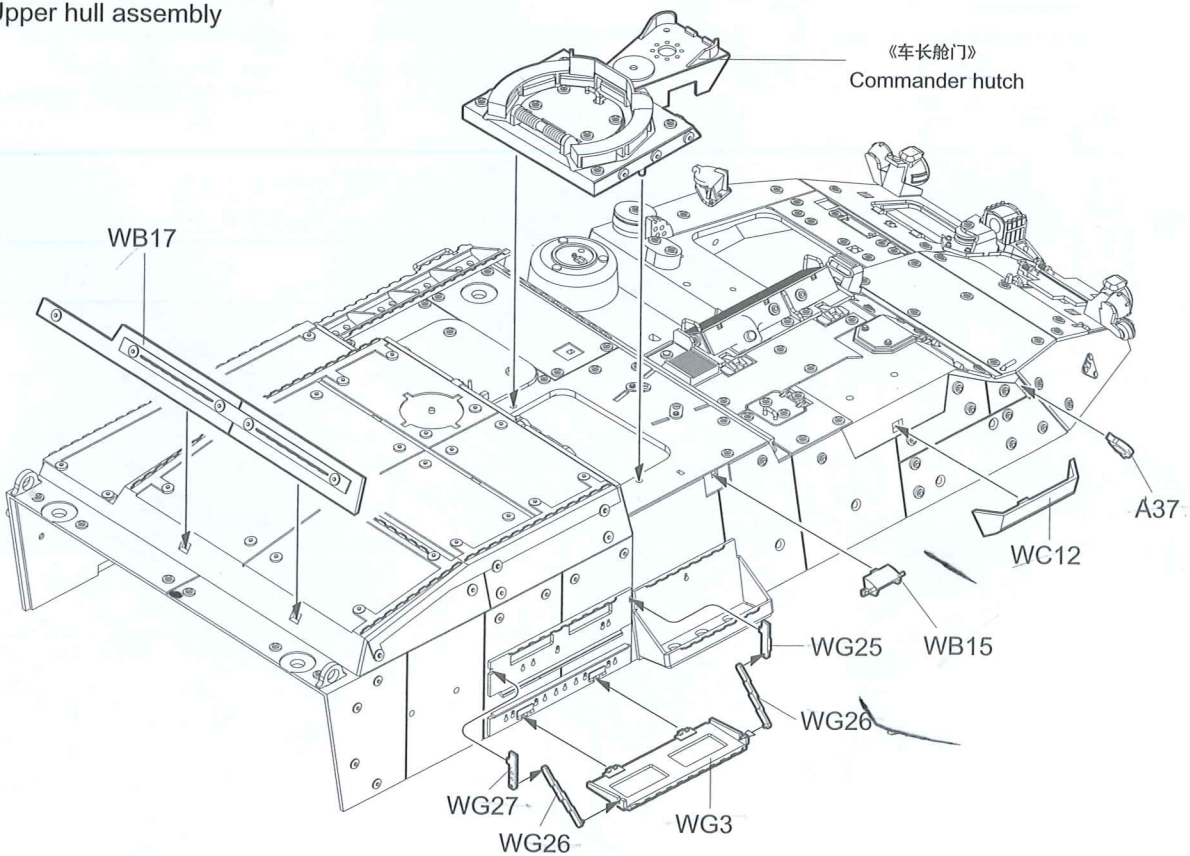
**17** 车长舱门组装  
Commander hatch assembly



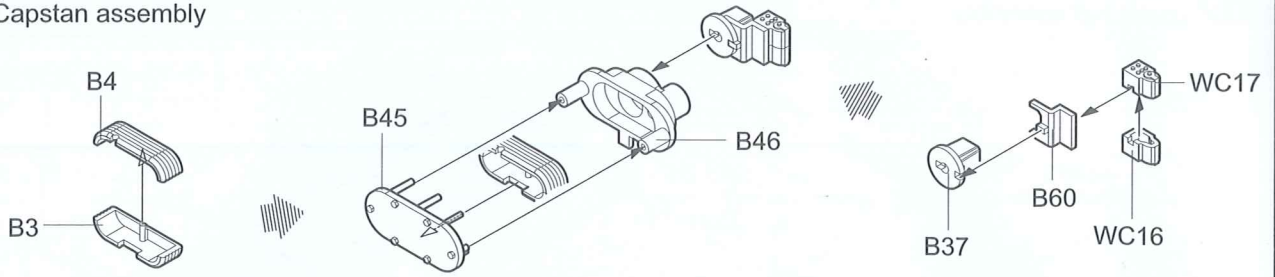
8 车面组装  
Upper hull assembly



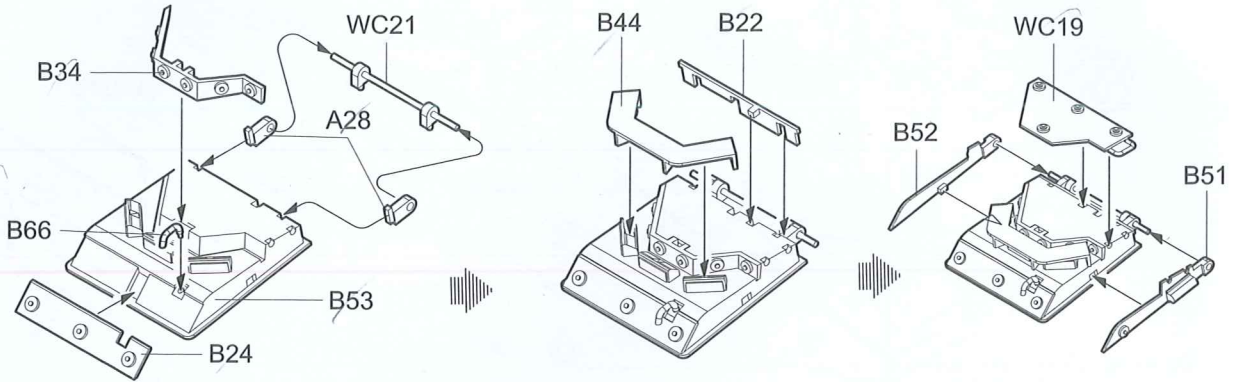
9 车面组装  
Upper hull assembly



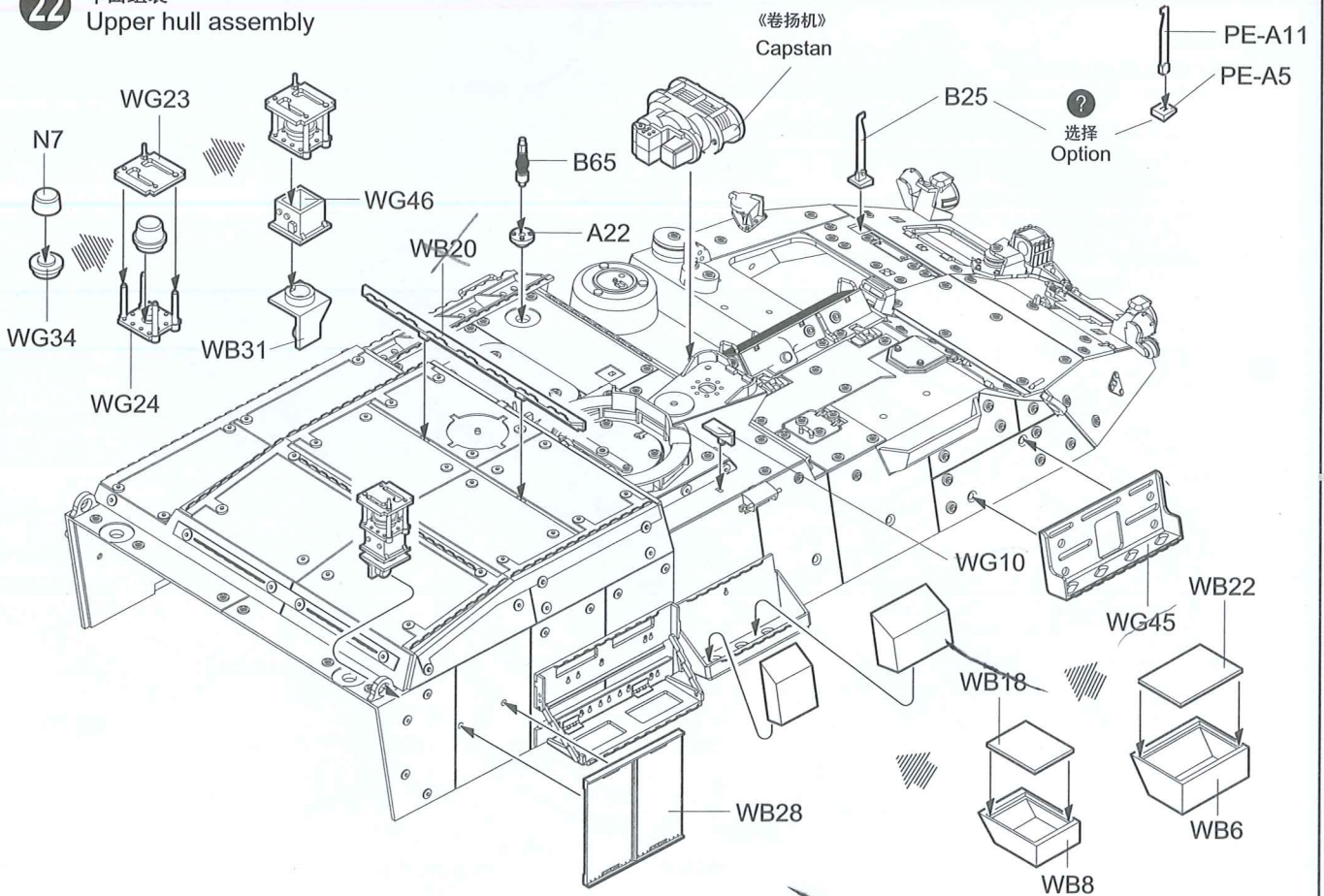
**20** 卷扬机组装  
Capstan assembly



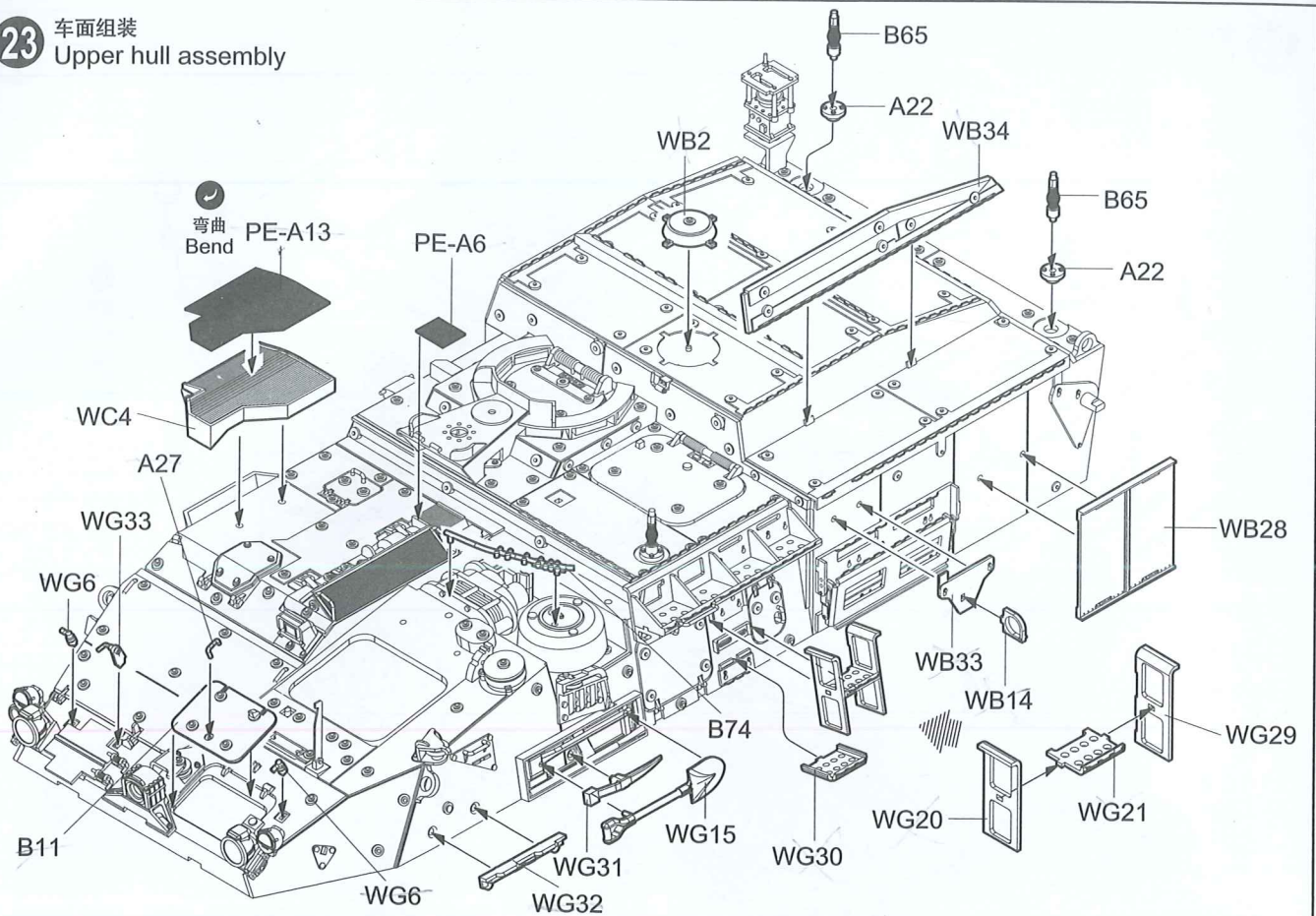
**21** 驾驶员舱盖组装  
Driver hatch assembly



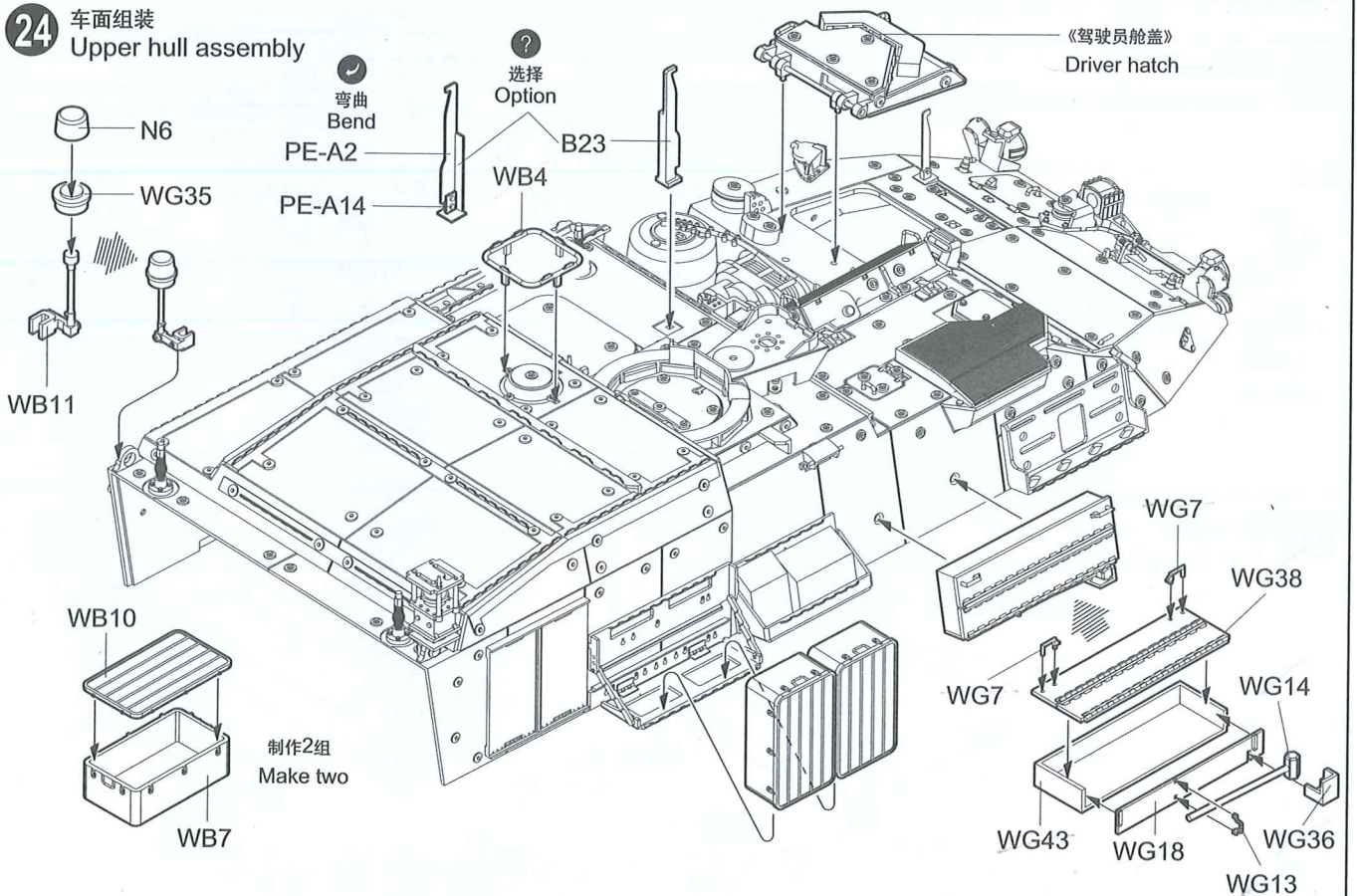
**22** 车面组装  
Upper hull assembly



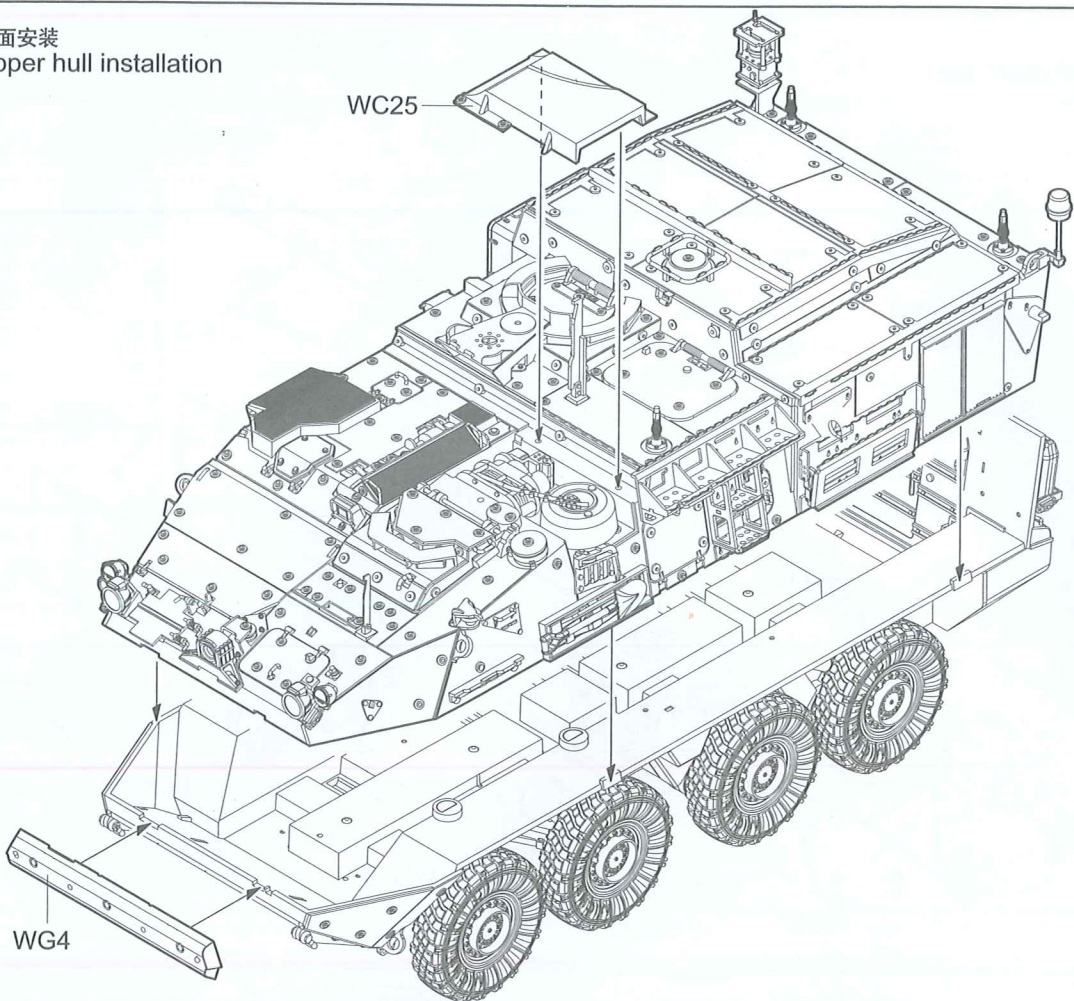
**23** 车面组装  
Upper hull assembly



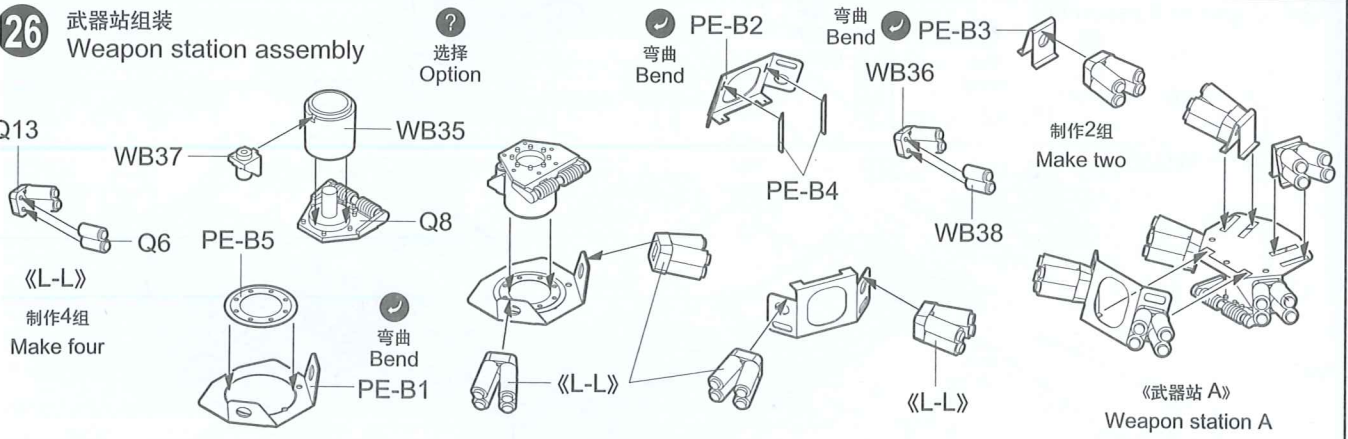
**24** 车面组装  
Upper hull assembly



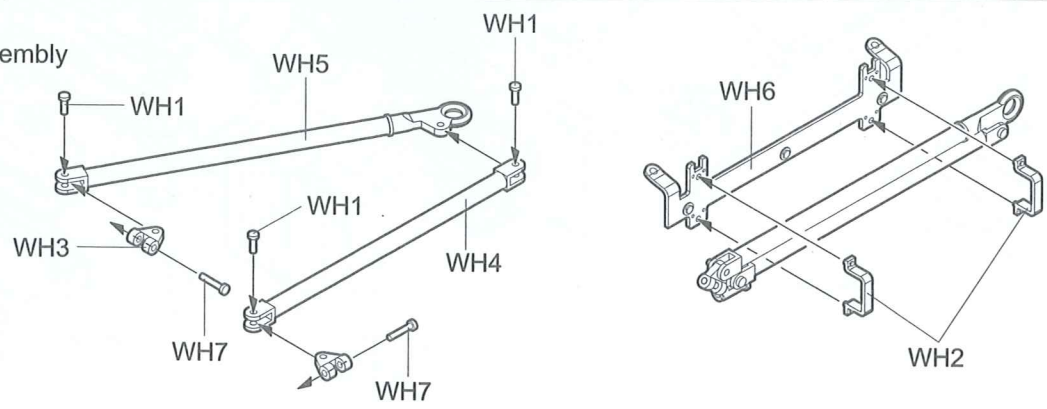
**25** 车面安装  
Upper hull installation



**26** 武器站组装  
Weapon station assembly

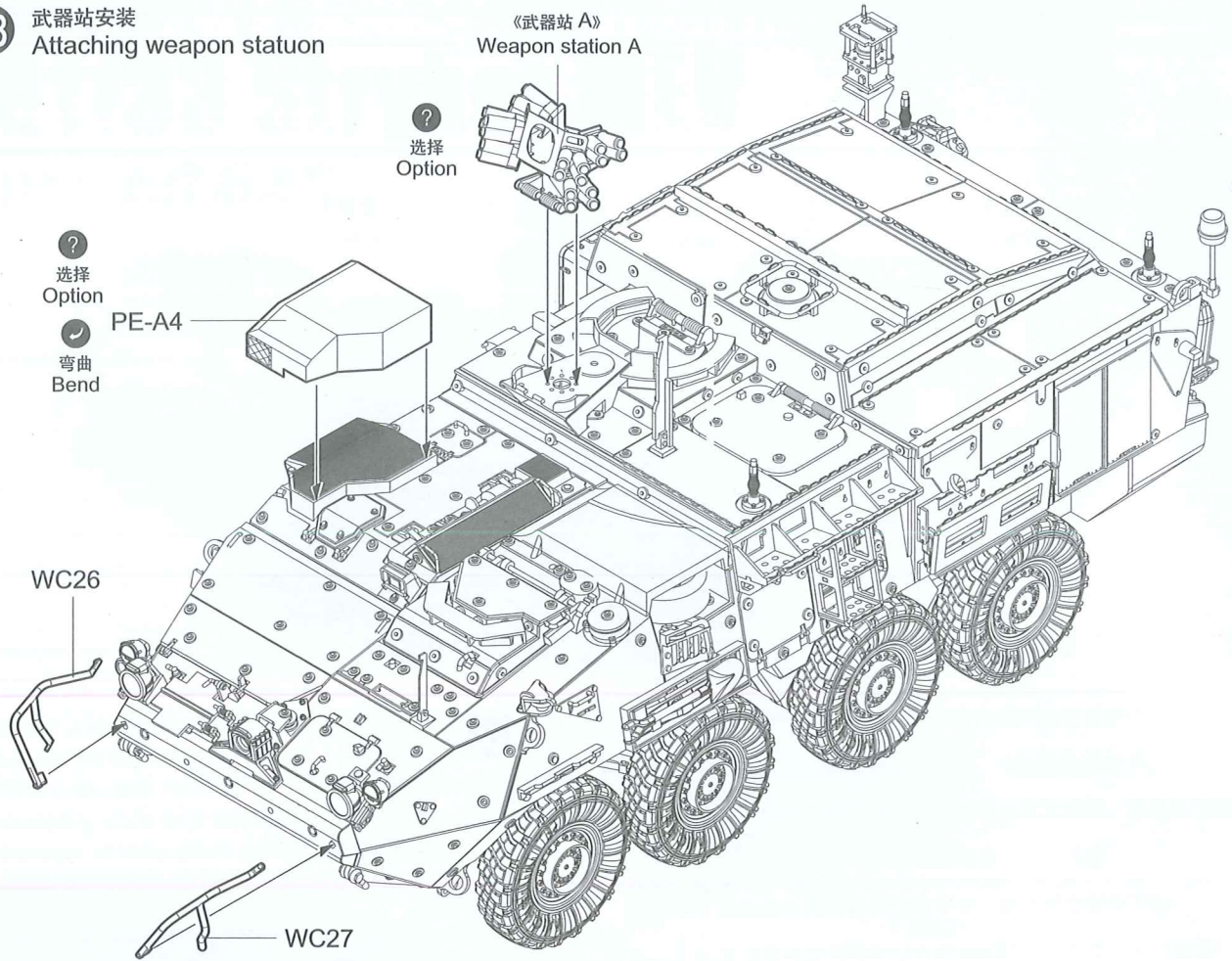


**27** 牵引架组装  
Tow bar assembly



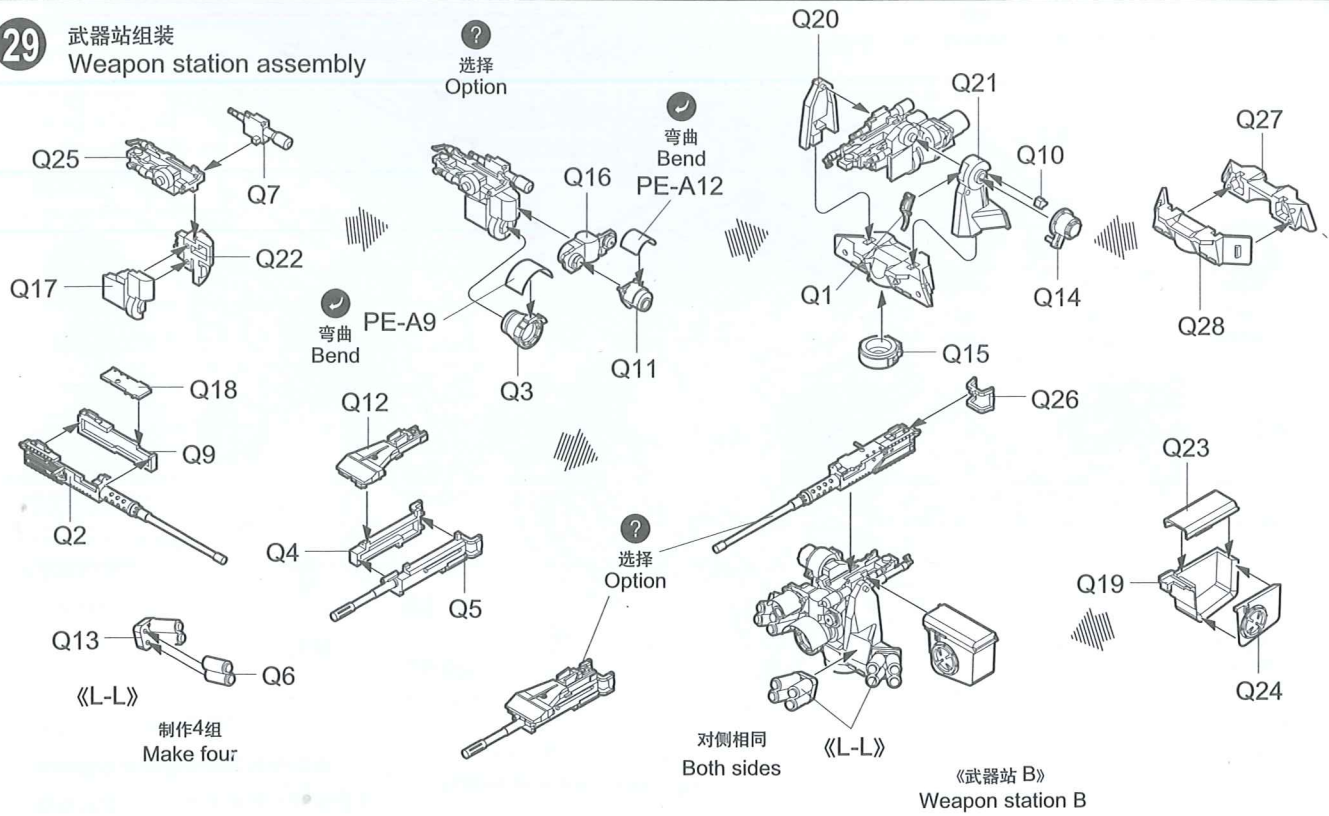
28

武器站安装  
Attaching weapon station

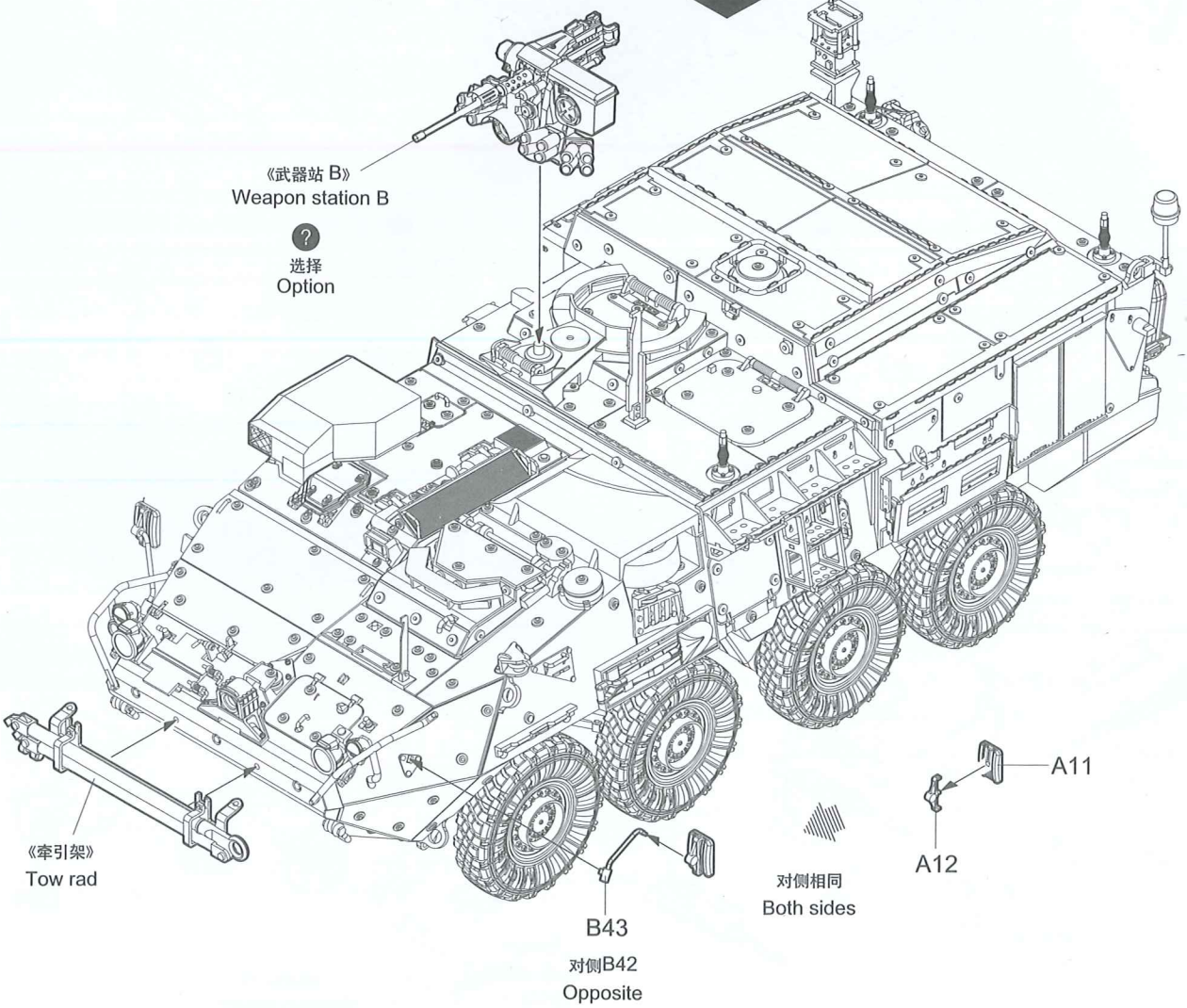


29

武器站组装  
Weapon station assembly



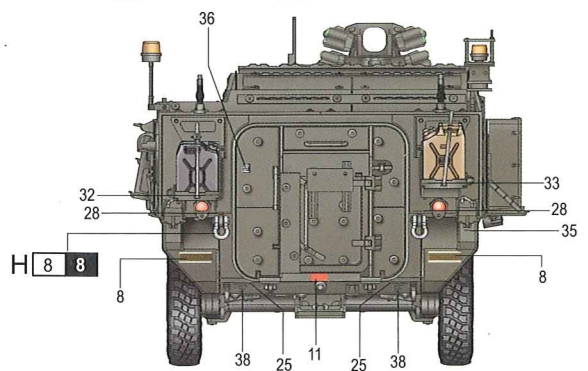
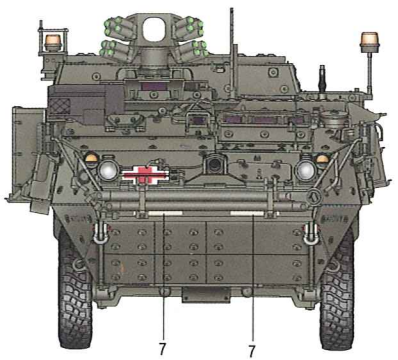
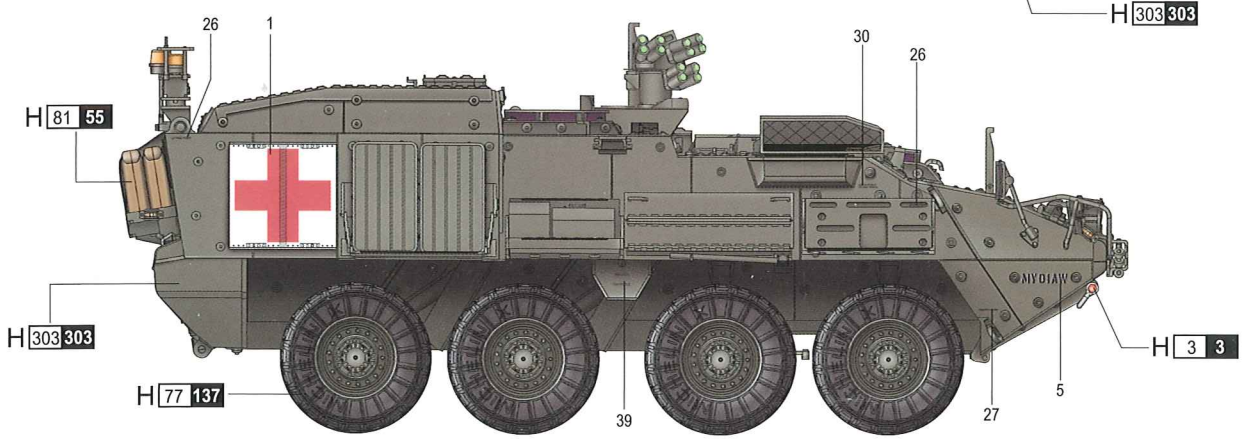
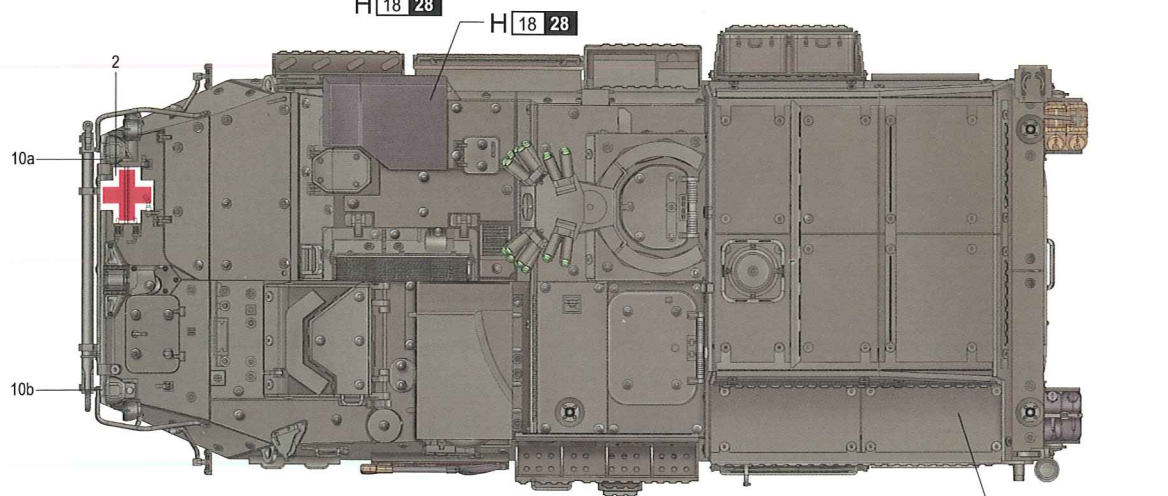
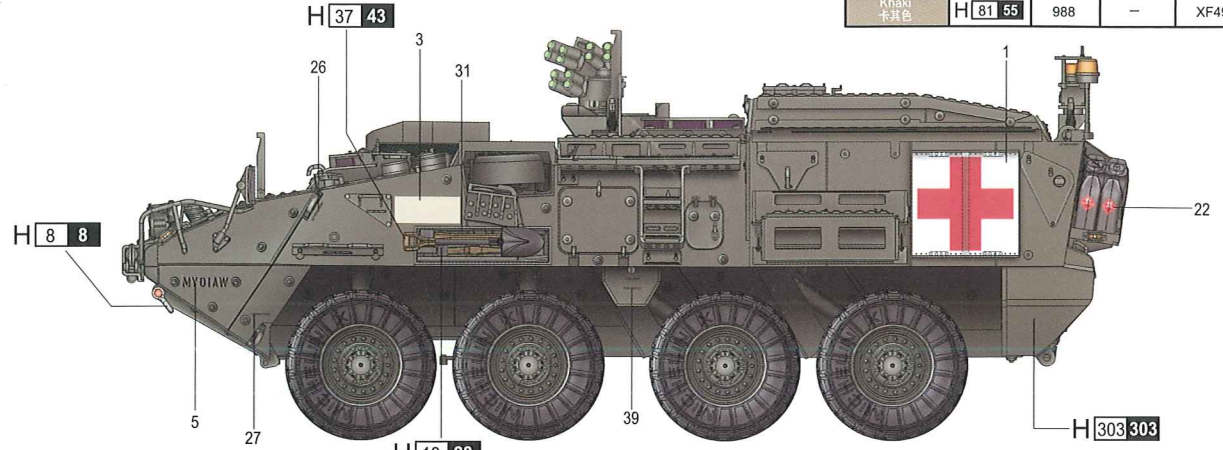
**30** 武器站安装  
Attaching weapon station



# 涂装同标贴指示

## Painting & Marking guide

Color	Mr.Hobby	Vallejo	Model Master	Tamiya	Humbrol
Silver 银色	H 8 8	997	1546	X11	11
Metal Black 黑铁色	H 18 28	864	1402	-	-
Wood Brown 木棕色	H 37 43	983	1701	-	186
Red 红色	H 3 3	908	1503	X7	19
Light Green 浅绿色	H 303 303	-	1713	XF20	117
Tire Black 胎黑色	H 77 137	-	-	-	-
Khaki 卡其色	H 81 55	988	-	XF49	26



H  AQUEOUS HOBBY COLOR    ■ Mr. COLOR