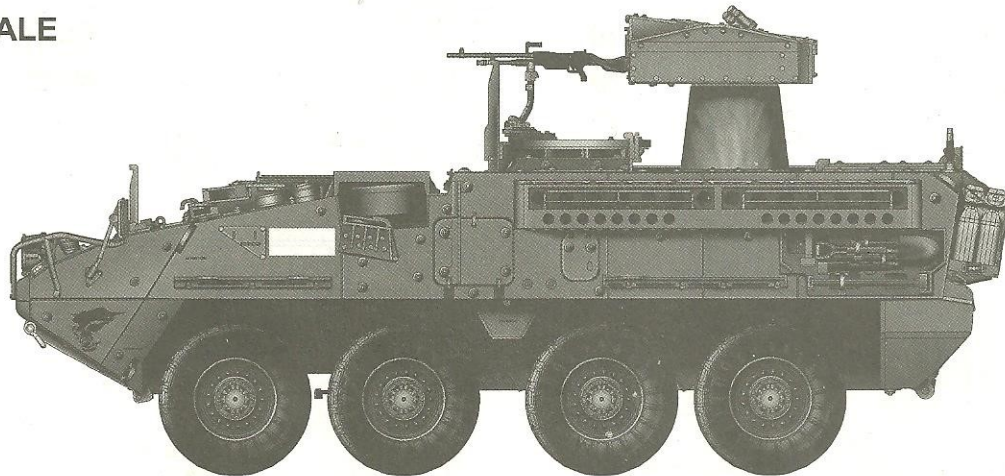


M1134 Stryker Anti-Tank Guided Missile (ATGM)

ITEM NO.:00399

M1134 "斯崔克" 反坦克导弹发射车

1:35 SCALE



READ BEFORE ASSEMBLY:

- Study and understand these instructions thoroughly before beginning assembly
- When needed, remove photo-etch parts carefully using a modeling knife or photo etch sprue cutter, being careful not to damage or lose small parts.
- Take extra care in handling photo etch parts in order to avoid injury
- Apply instant cement sparingly to photo etch parts where instructed
- Tools recommended(not included in kit):Plastic and instant cements,sprue cutters,long nose pliers.,modeling knife, small files, tweezers, pin vise & scissors. Soft cloth and sandpaper will also assist in construction
- Glue and paint are not included in the kit. Use plastic cement and hobby paints only. Color guide for purchasing paint is included in the kit.

装配之前仔细阅读

- 小心用模型锉刀锉平所有零件表面的注射浇口。
- 小心用刀片切下蚀刻片零件，不要遗失小零件。
- 用强力快干胶水粘合蚀刻片零件和金属轴。过量的快干胶水使用可能导致可动零件会粘住，小心涂胶。
- 取蚀刻片时应特别注意安全，防止利边划伤手指。
- 某些零件表面需贴水上贴纸，请选择在装配的同时进行。
- 推荐模型工具(自备)：胶水，水口剪刀，长咀钳，刀片，锉刀，镊子，钳，钻，剪刀，瞬间快干胶。
- 软布同砂纸同时也应该是必备工具。
- 请使用塑料胶水和油漆，模型内不含。



cyanoacrylate glue
使用强力胶



weight
配重



make hole
钻孔



cut / remove
切除



bend
弯曲



file / sand
锉平



option
选择



no cement
不涂胶水



decal
贴纸

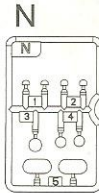
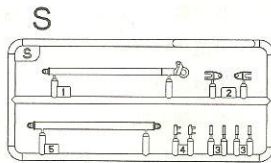
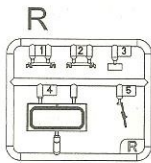
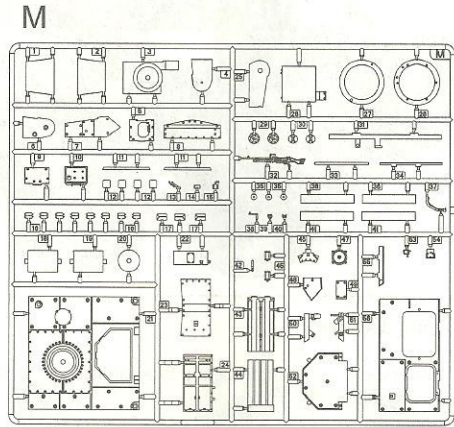
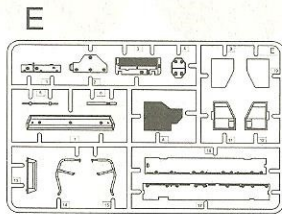
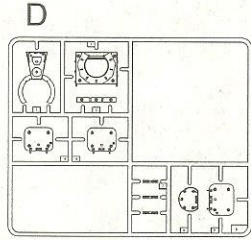
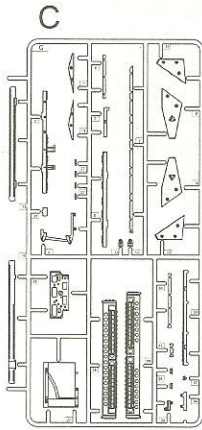
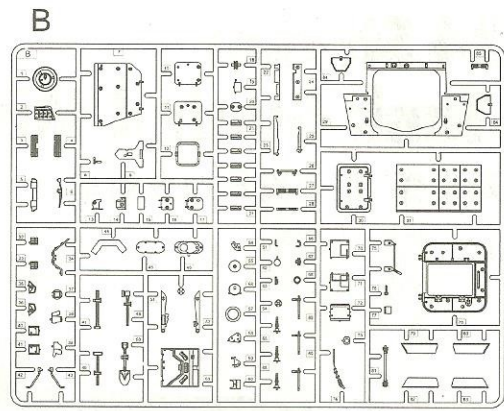
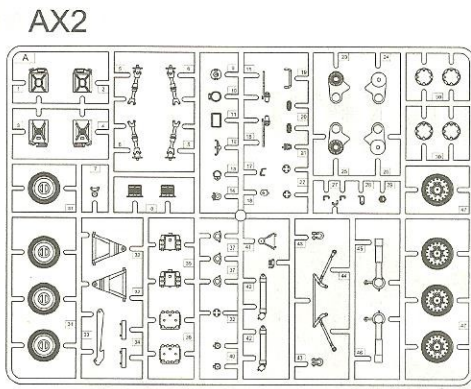
水贴纸的使用:

1. 从水贴上剪下印花;
2. 将印花放入温水中浸10秒，然后放在干净布上。
3. 拿着印花纸板将印花移到模型上;
4. 手指蘸水将印花移到适当的位置;
5. 用软布轻压印花直至水干，气泡消失。

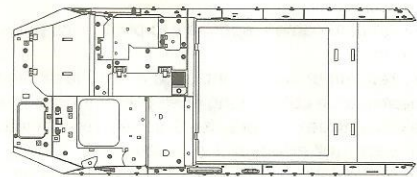
DECAL APPLICATION:

1. Cut decals from sheet as needed
2. Dip the decal in warm water for about 10 seconds and then place on soft clean cloth.
3. Hold the decal backing sheet edge and gently slide the decal onto the model in its proper position.
4. While still wet, decal can be adjusted for better fit on model by dampening it gently with your finger.
5. When placed in the proper position, gently press decal down with a soft cloth until excess water and air bubbles are gone.
6. Allow decal to dry completely before handling model

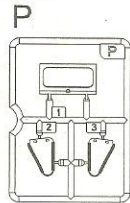
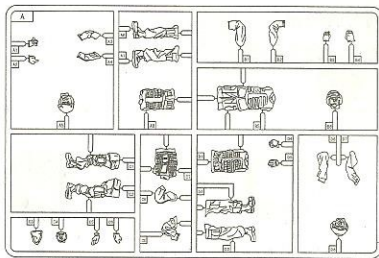
部品图
Parts



《车面》
Upper hull



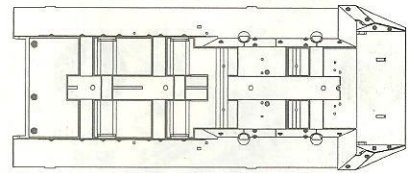
Figures (A)



《遮盖纸》
Mask

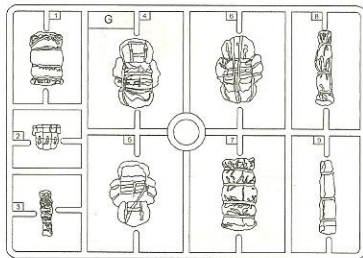


《车底》
Lower hull

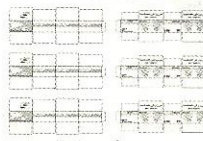


装备随个人喜好选择安装
Attach the military equipment as you like

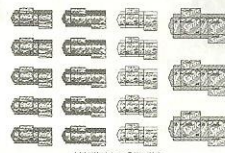
Gx2



《饮用水箱》
Water cases



《饮料箱》
Beverages boxes



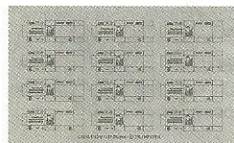
《蚀刻片》
Photo etched part (PE)



A

C

《食品箱》
MRE ration packs



《水贴纸》
Decal



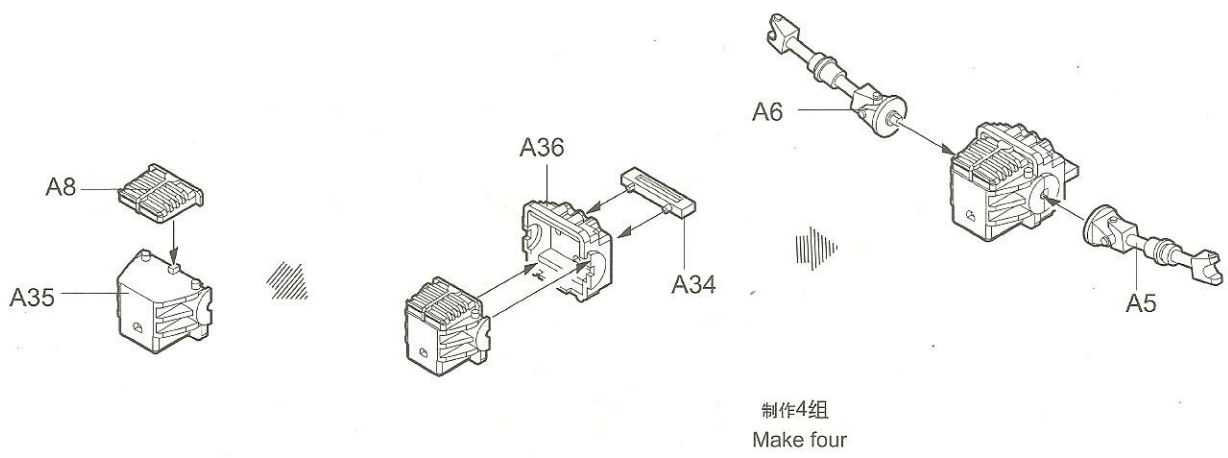
《轮胎》
Tyre...X8



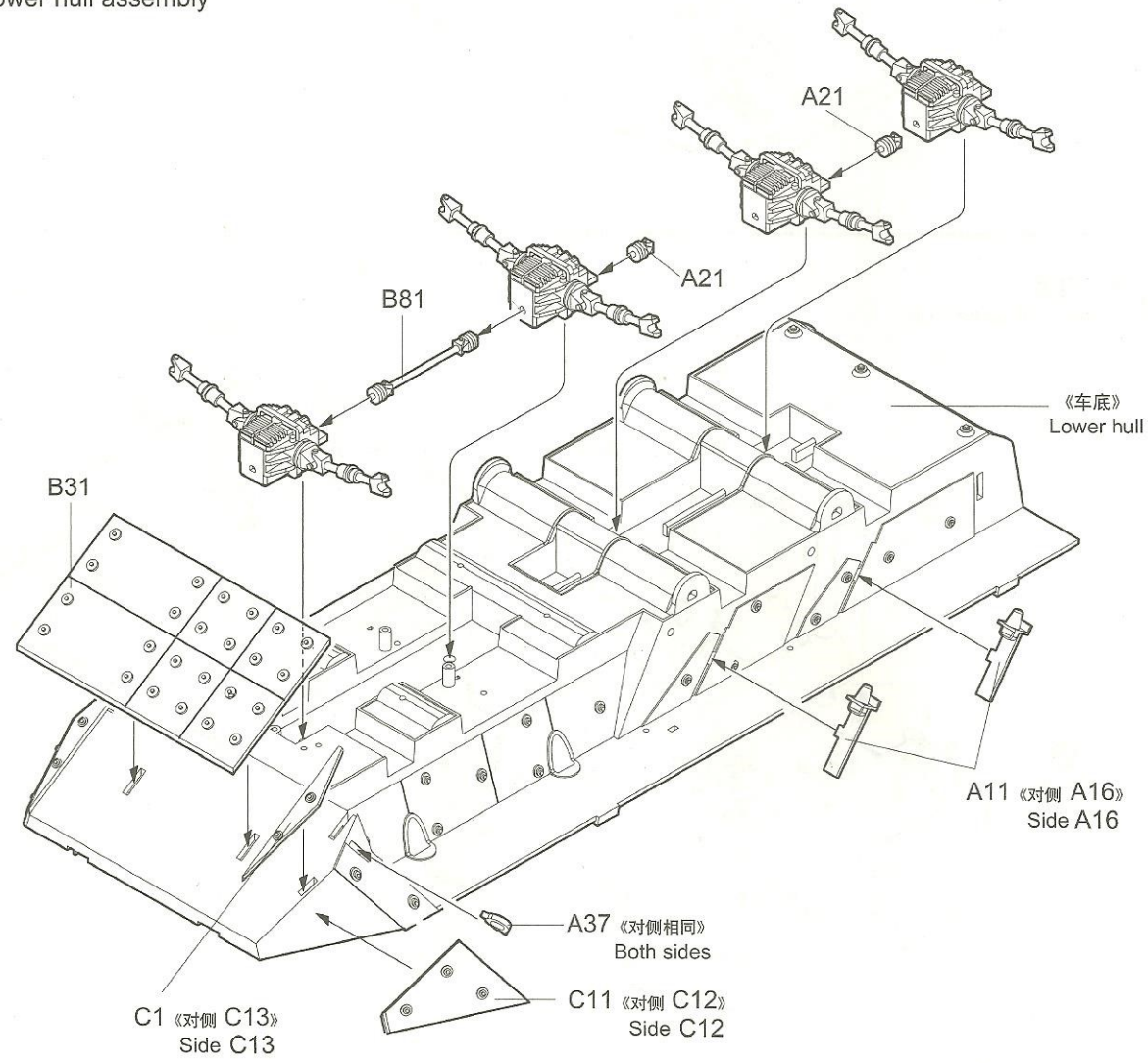
《捆扎带》
Strapping



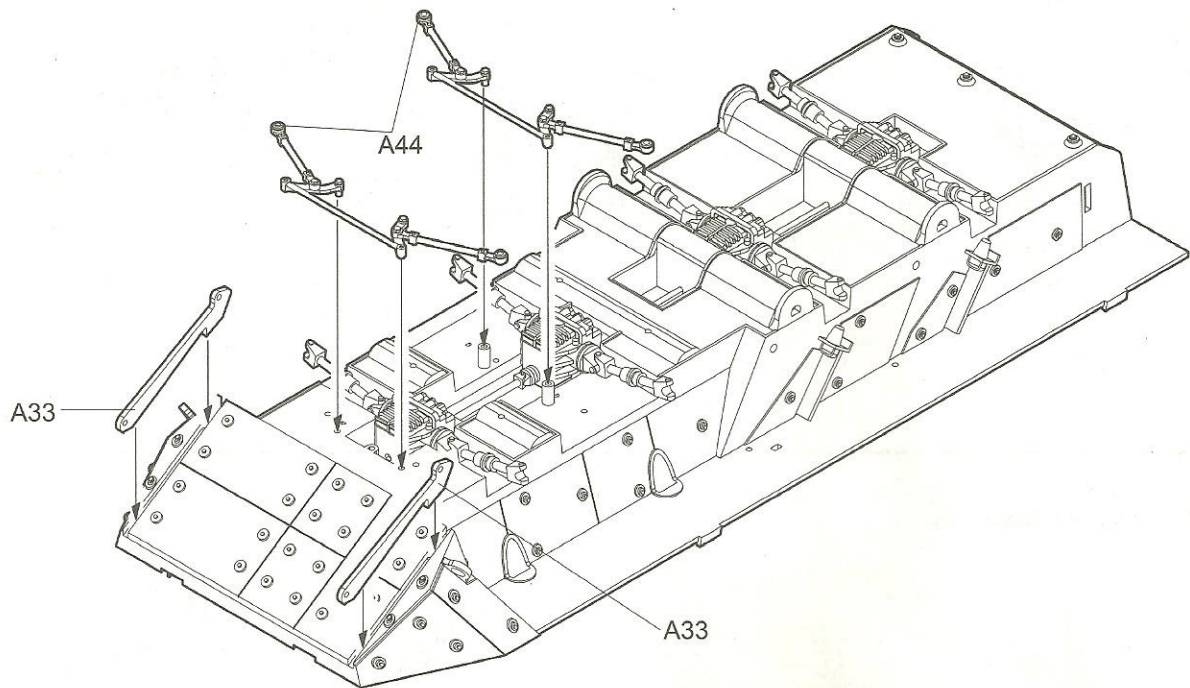
1 车底组装
Lower hull assembly



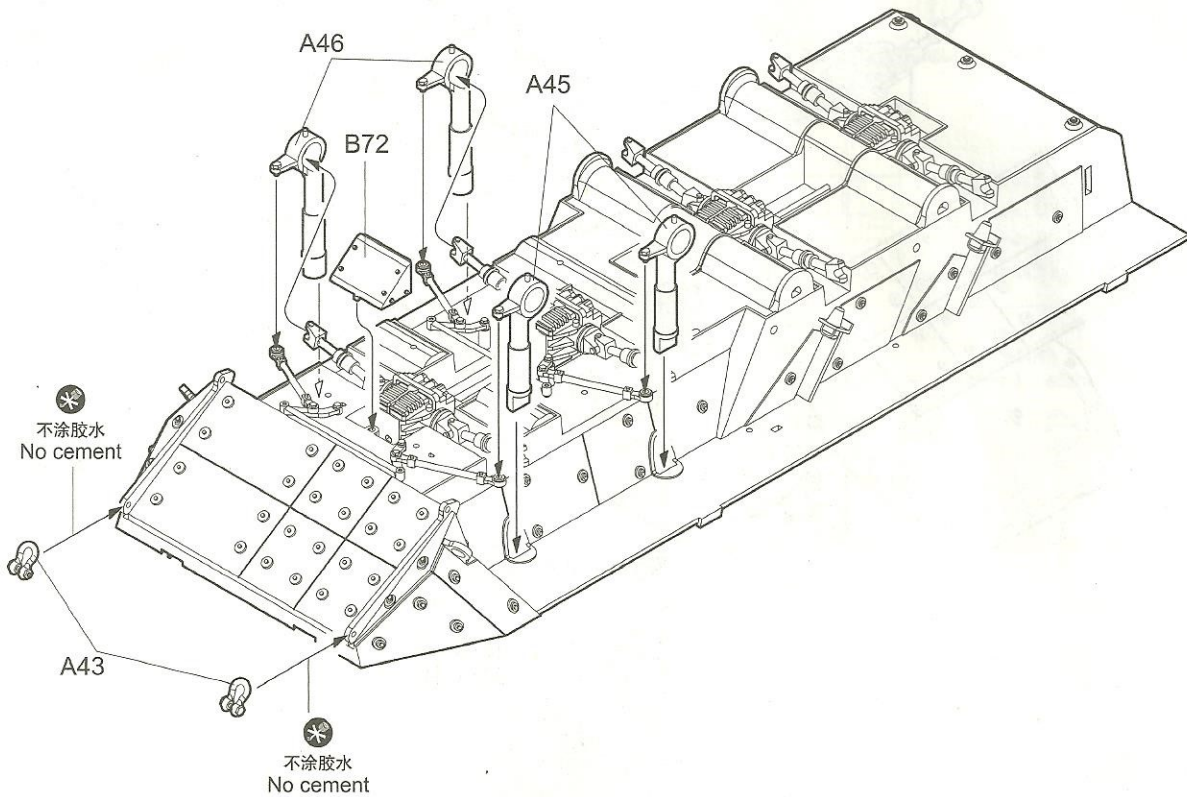
2 车底组装
Lower hull assembly



3 车底组装
Lower hull assembly

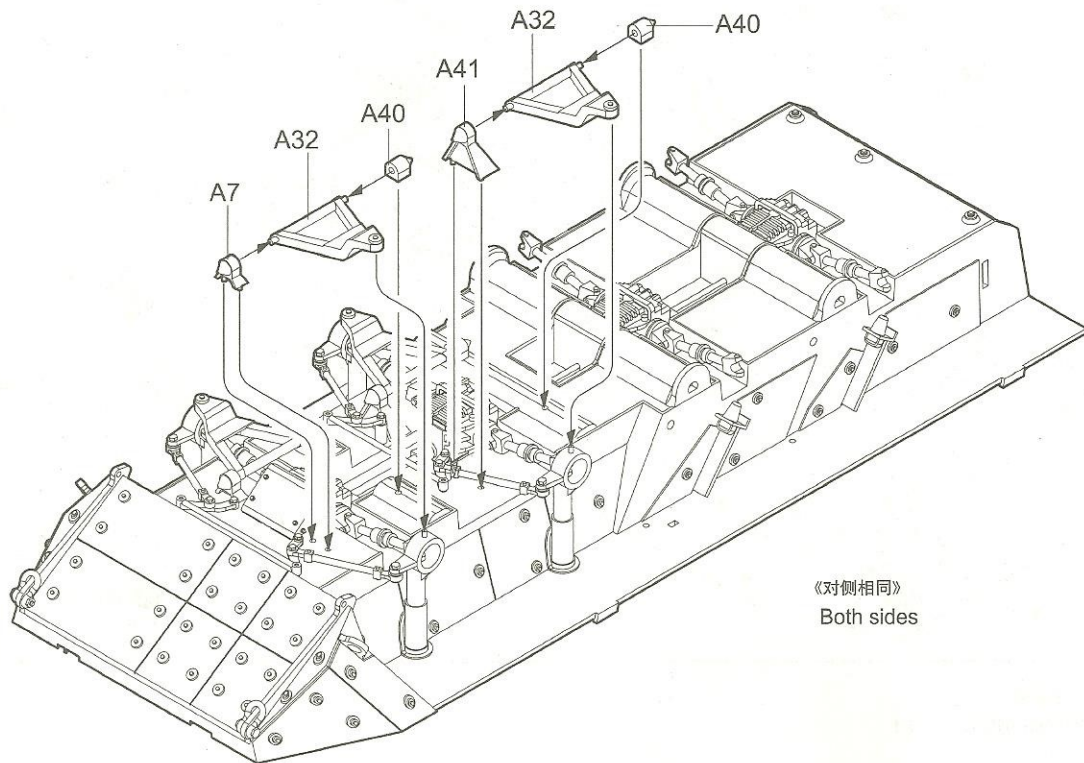


4 车底组装
Lower hull assembly

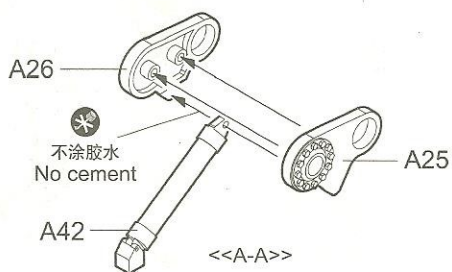


5

车底组装
Lower hull assembly

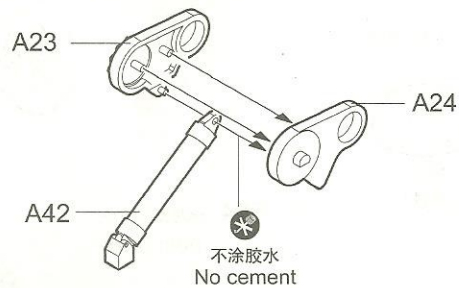


《对侧相同》
Both sides



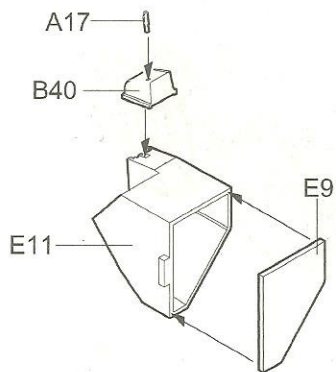
<<A-A>>

制作2组
Make two

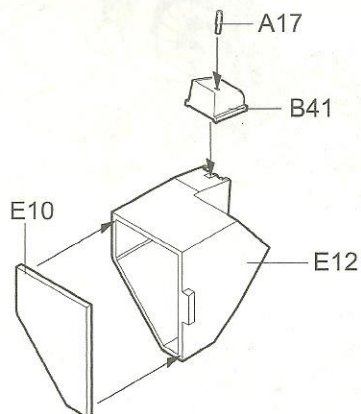


<<B-B>>

制作2组
Make two

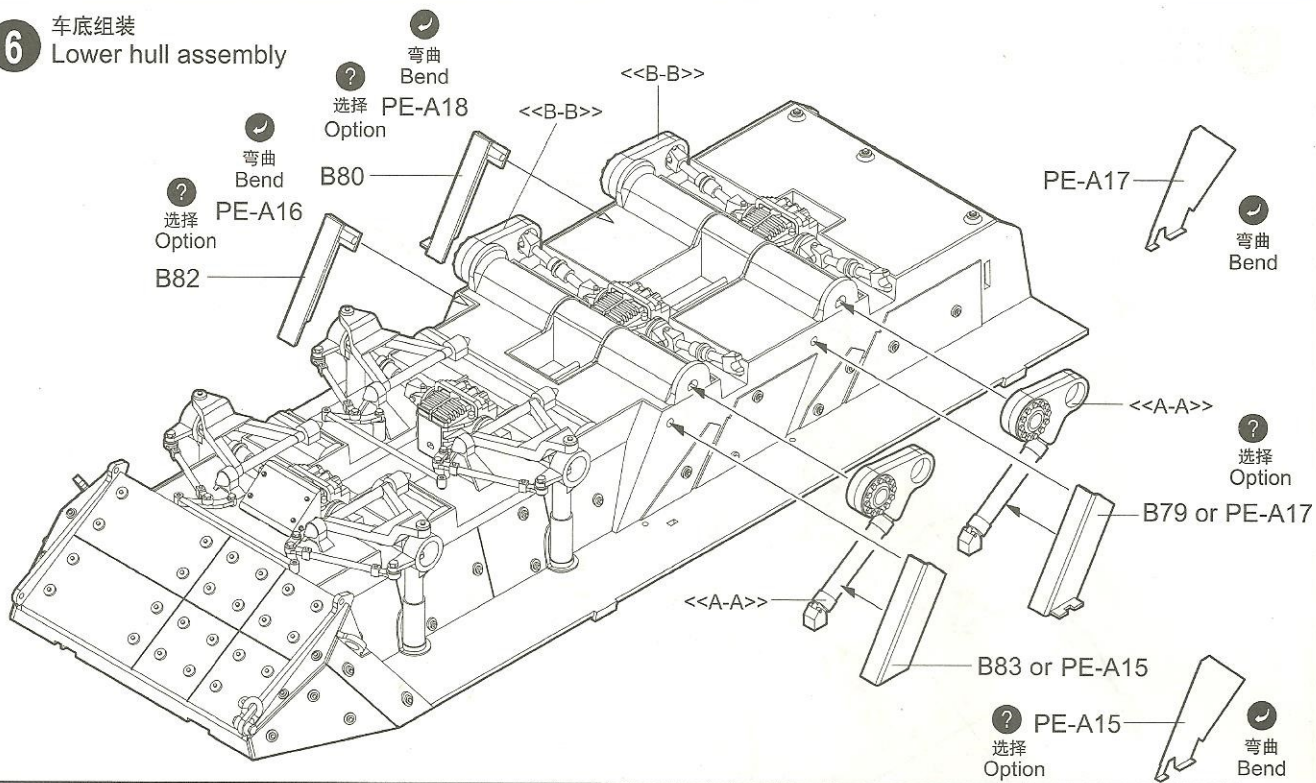


<<C-C>>

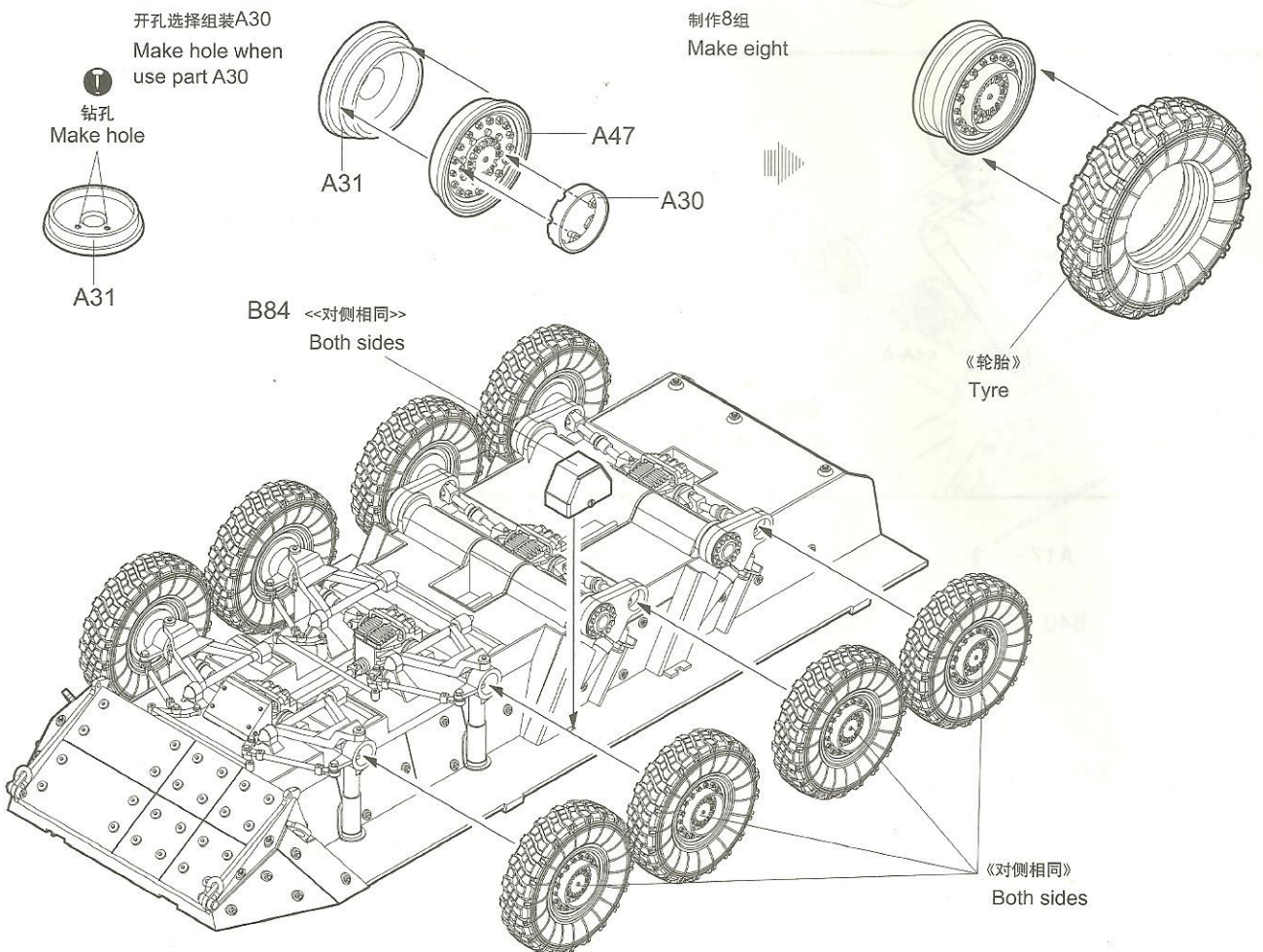


<<D-D>>

6 车底组装
Lower hull assembly



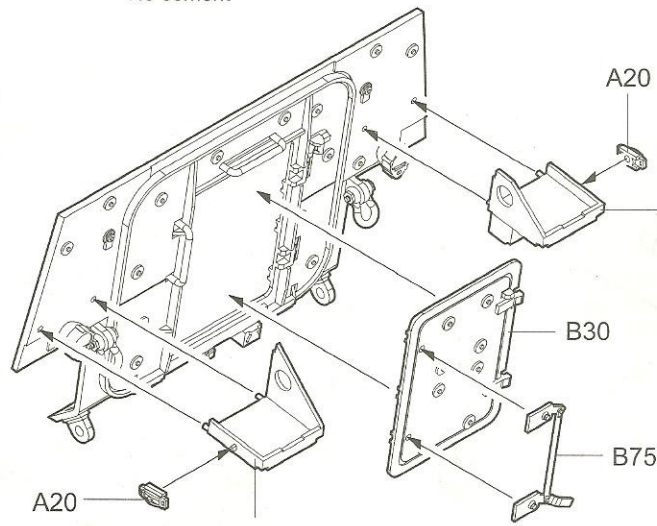
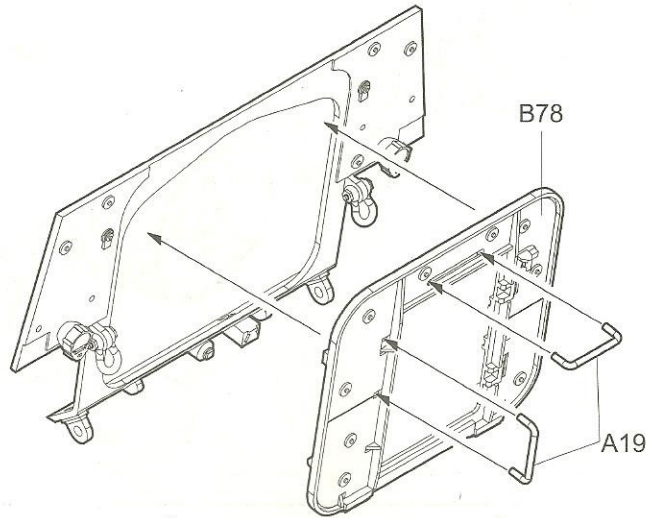
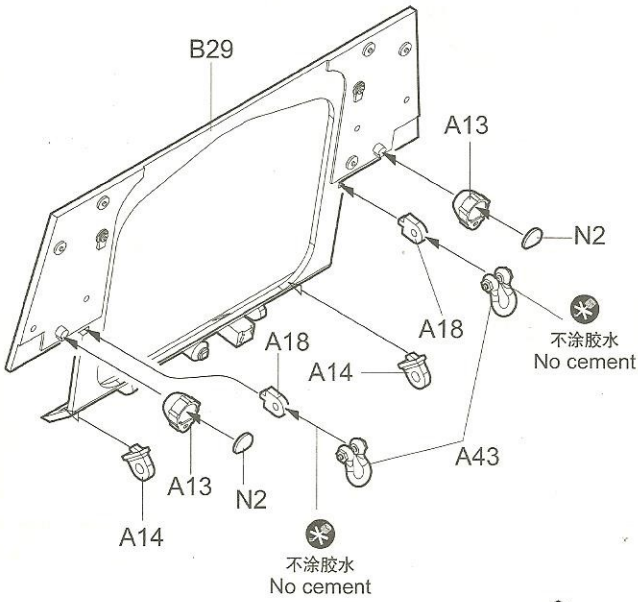
7 车轮安装
Wheel installation



<<E-E>>



<<F-F>>



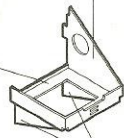
选择
Option

弯曲
Bend
PE-A8

弯曲
Bend
PE-A20

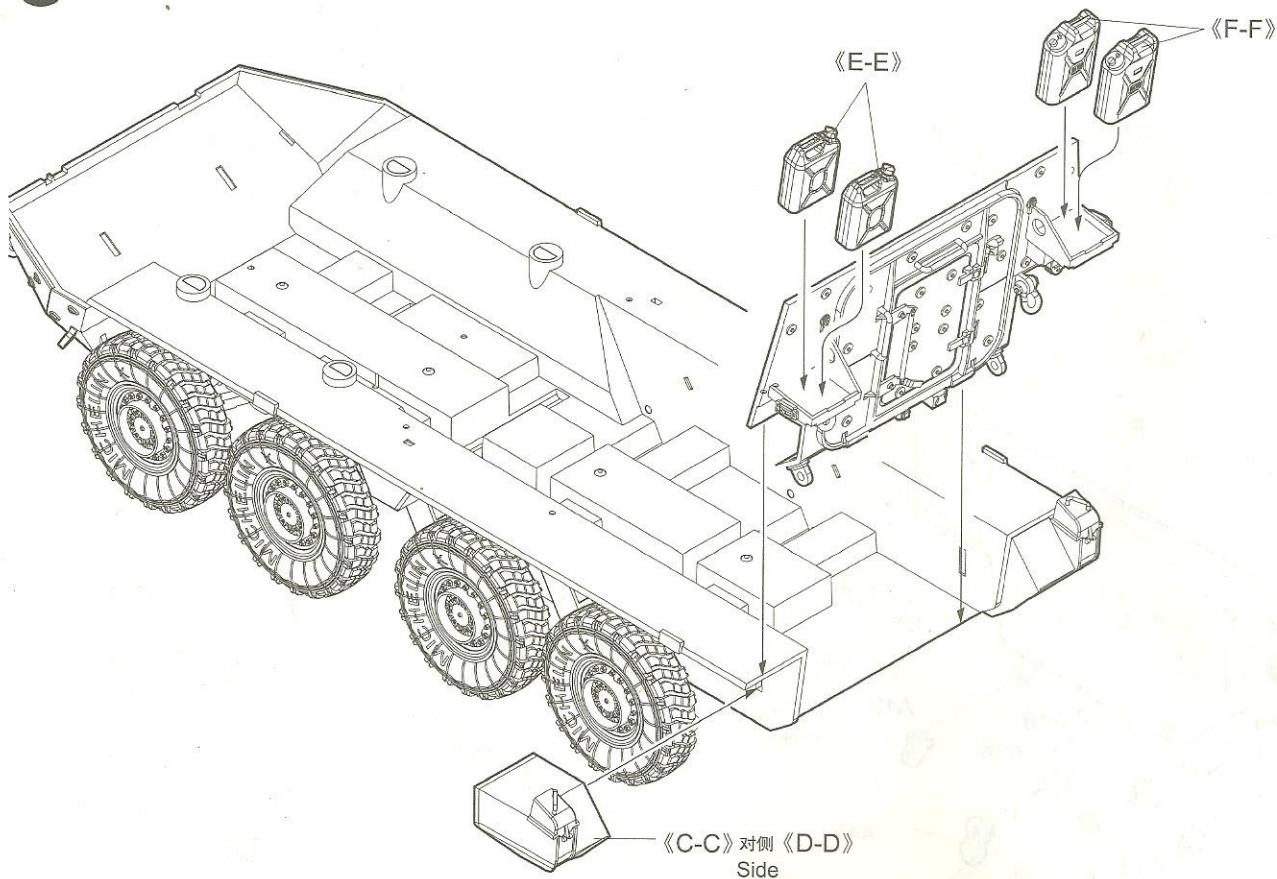
弯曲
Bend
PE-A3

选择
Option

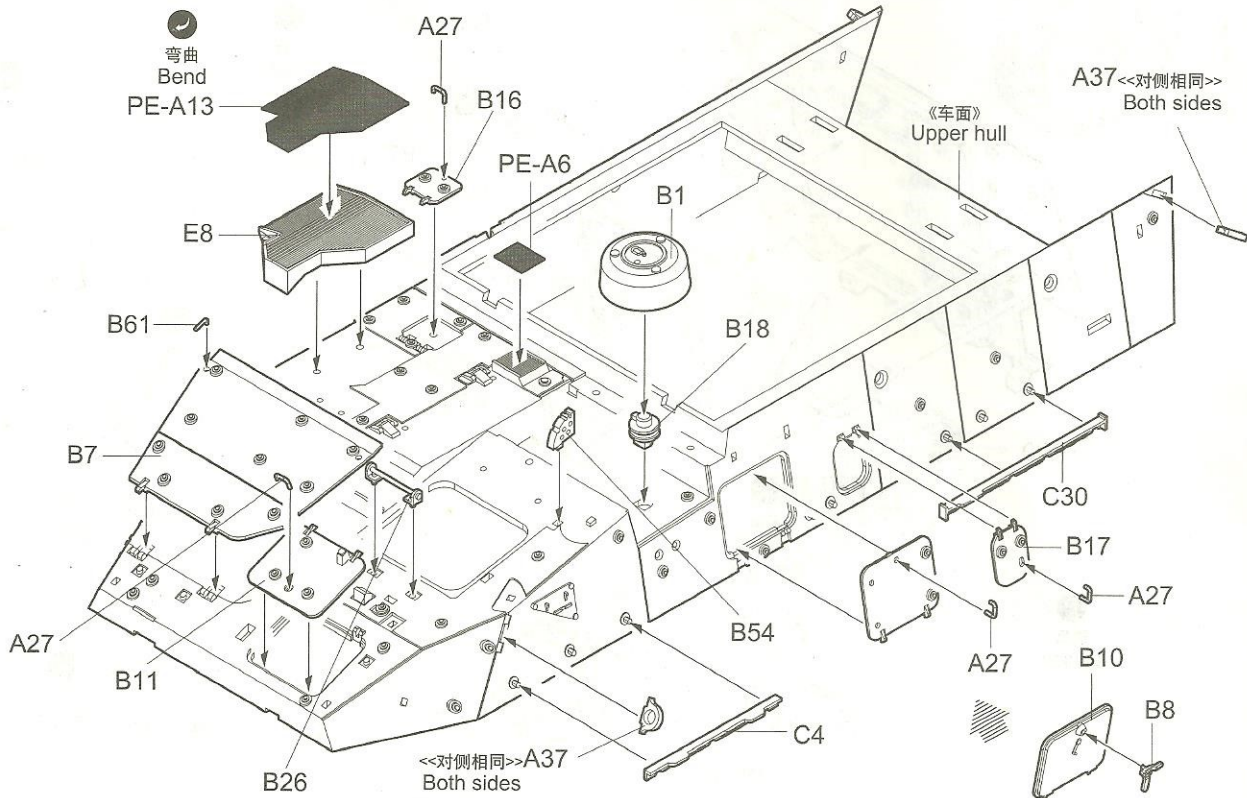


弯曲
Bend
PE-A10

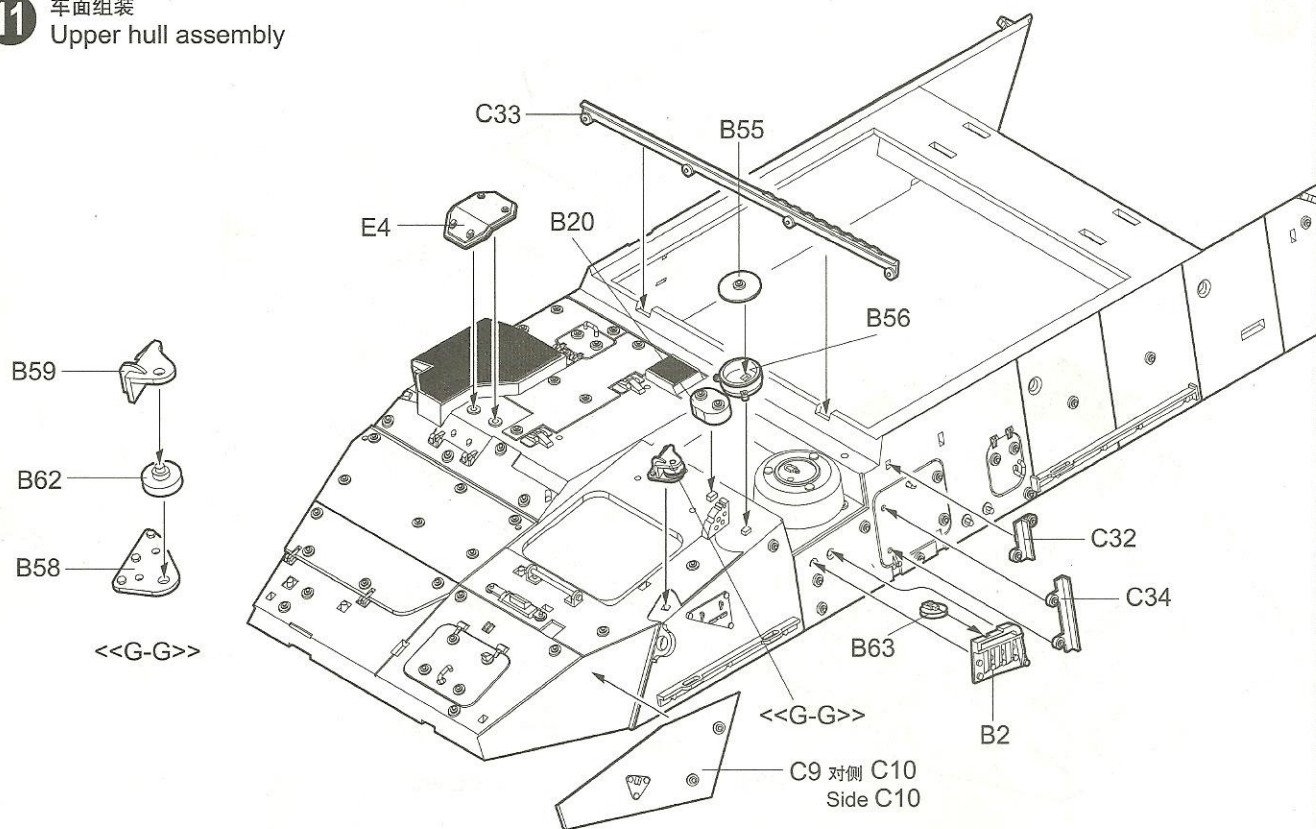
9



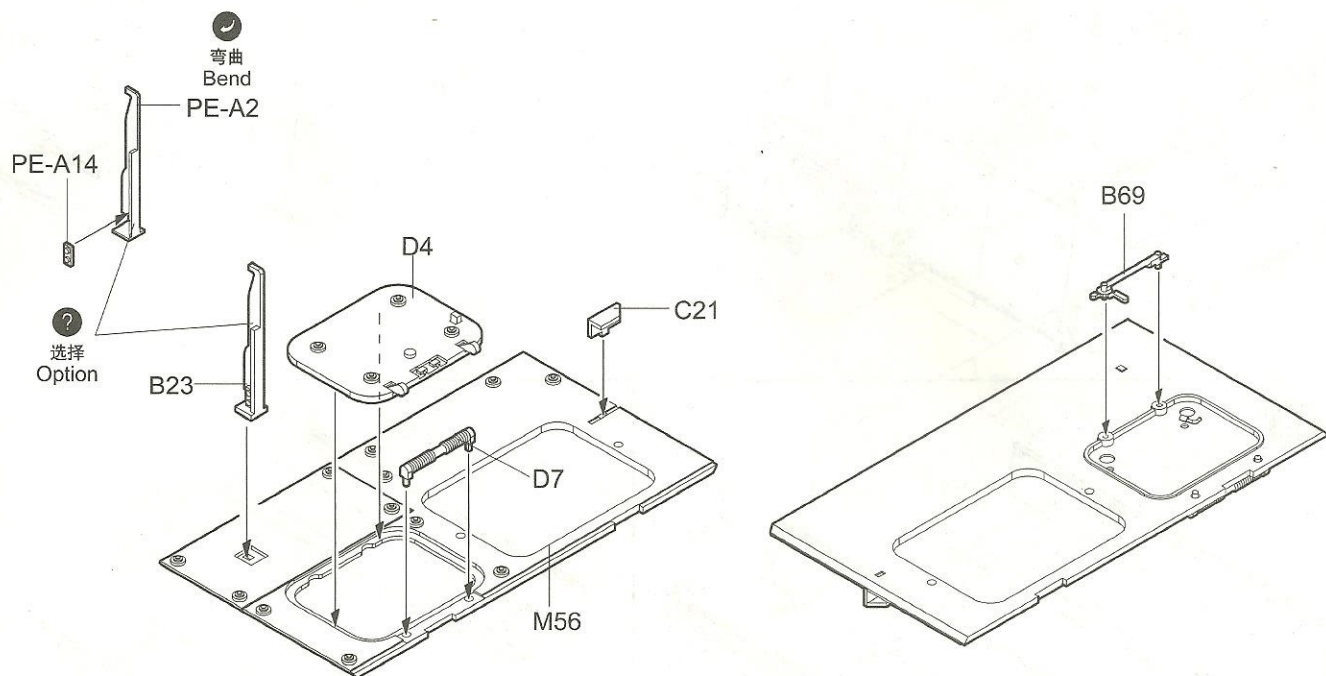
10 车面组装
Upper hull assembly



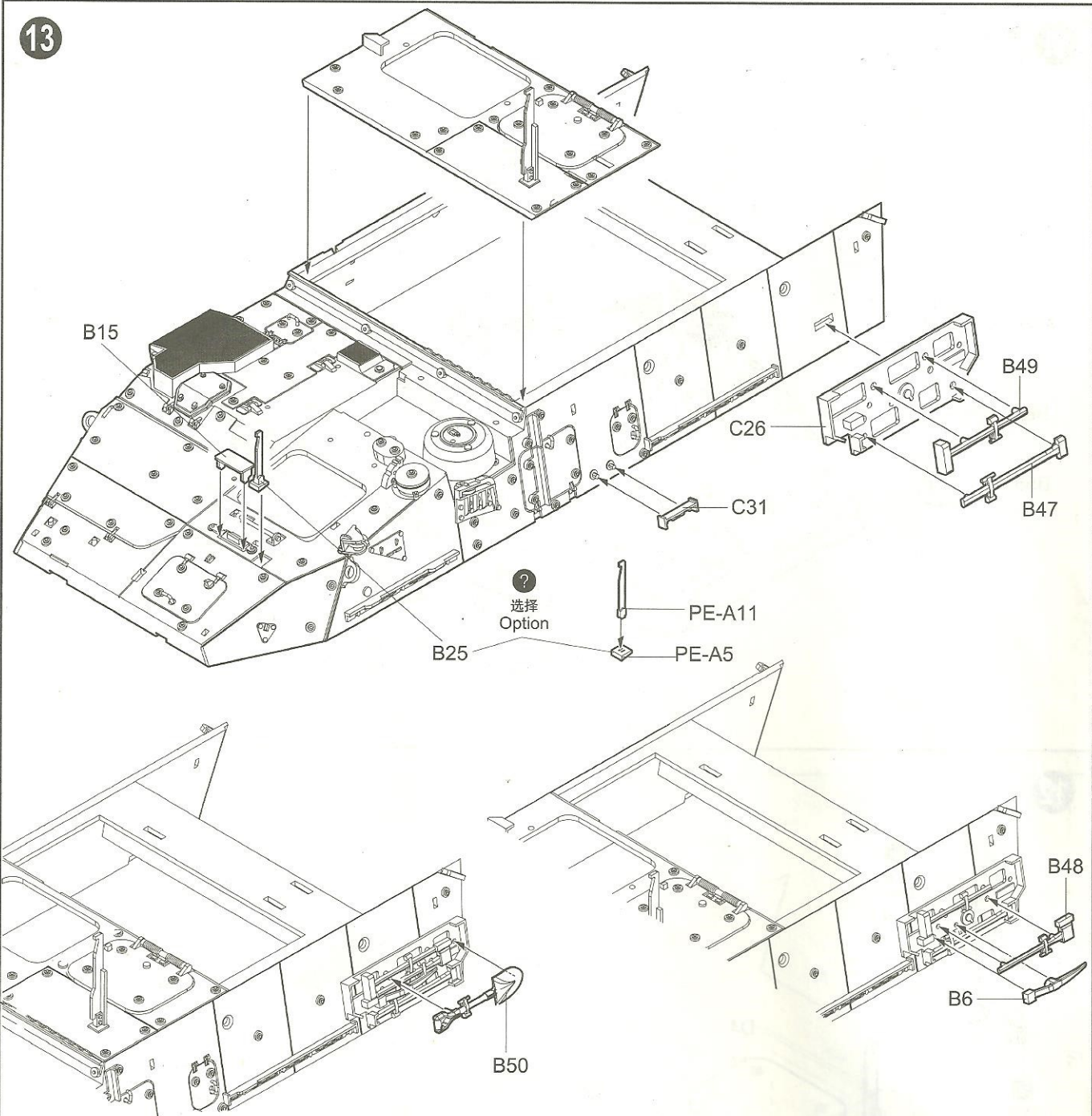
11 车面组装
Upper hull assembly



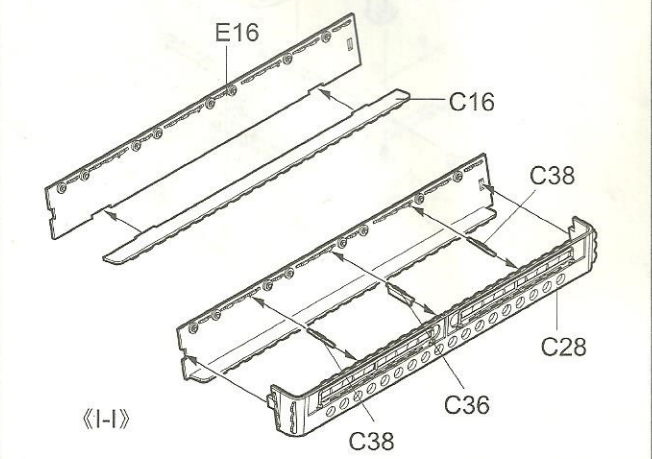
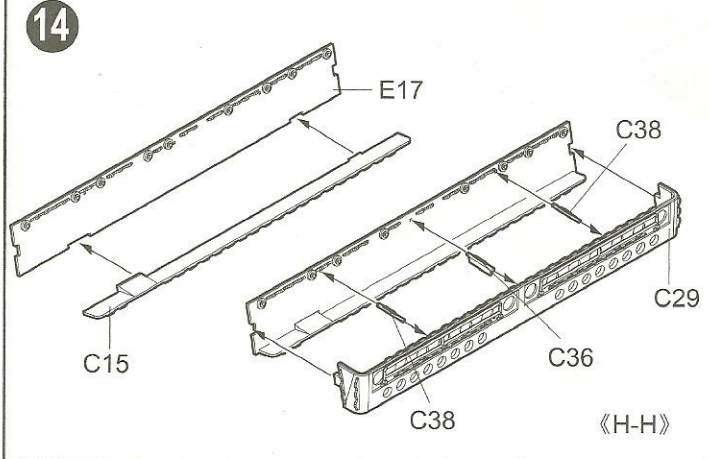
12



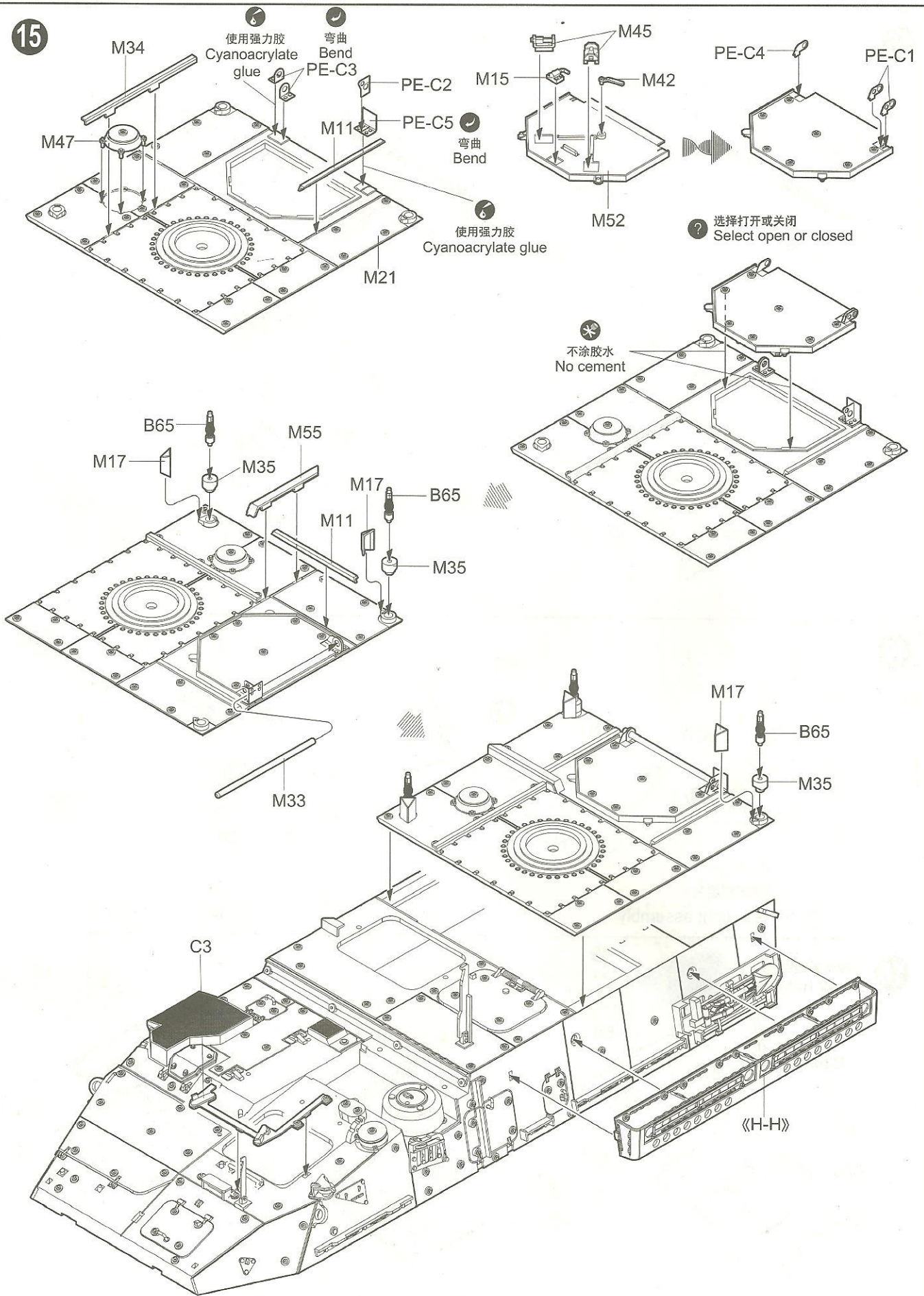
13



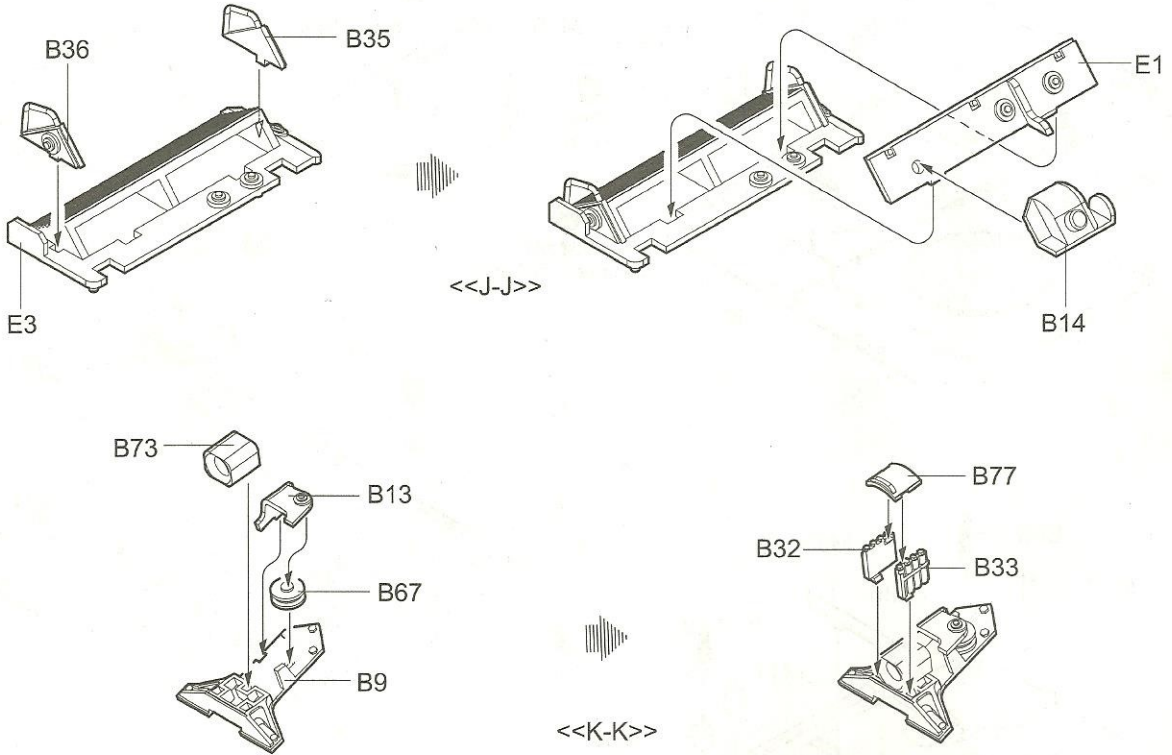
14



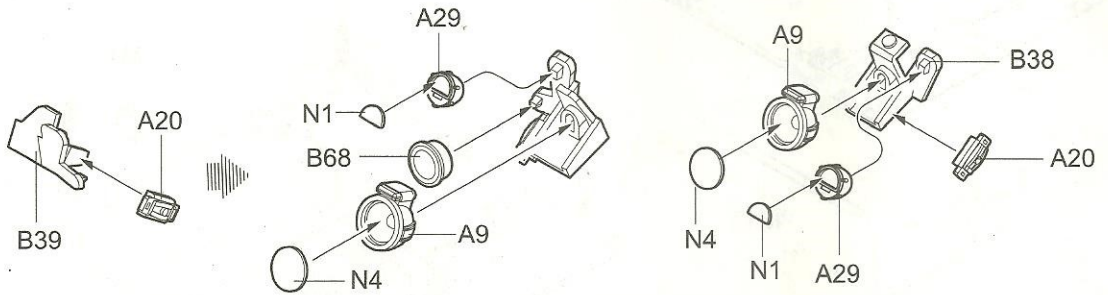
15



16



17

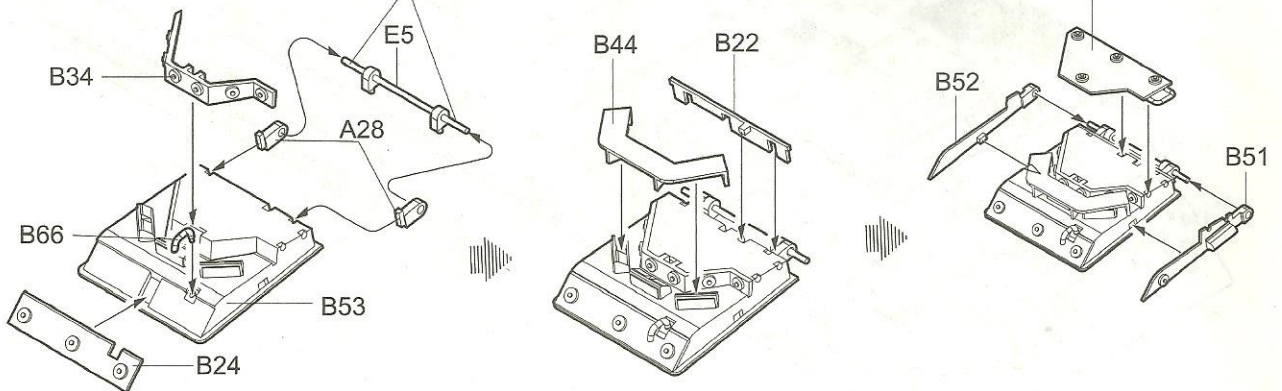


《右车灯组装》
Right head light assembly

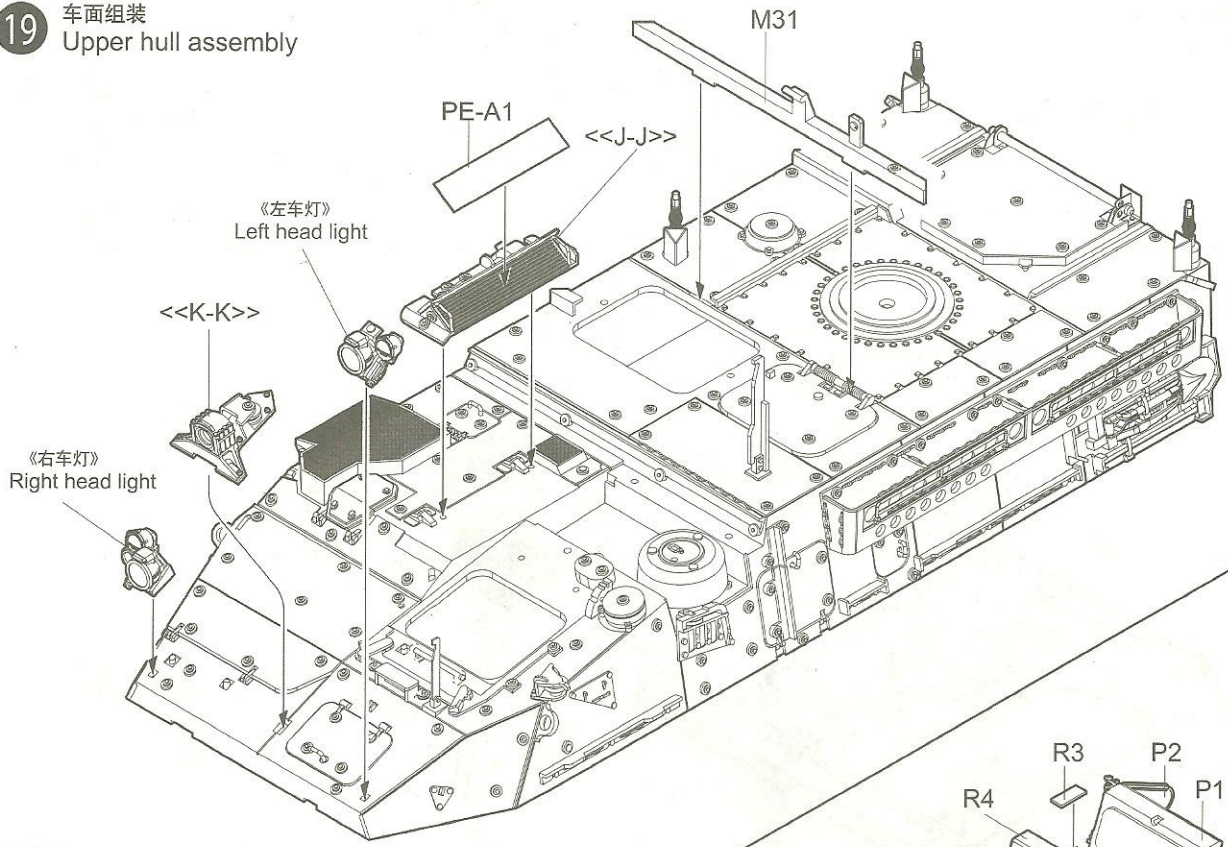
《左车灯组装》
Left head light assembly

18 驾驶员舱盖组装
Driver hatch assembly

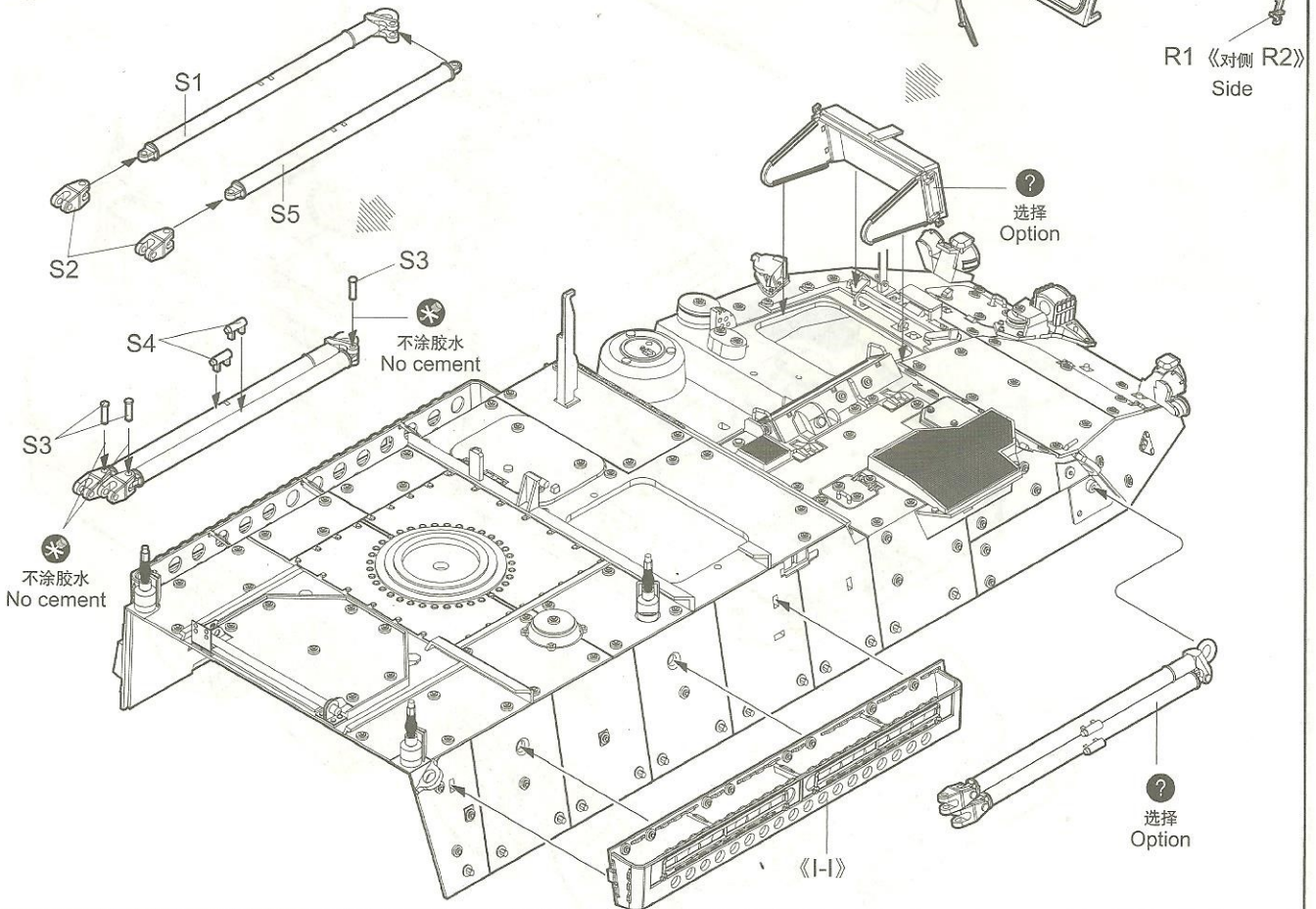
* 不涂胶水
No cement



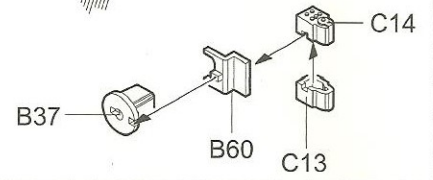
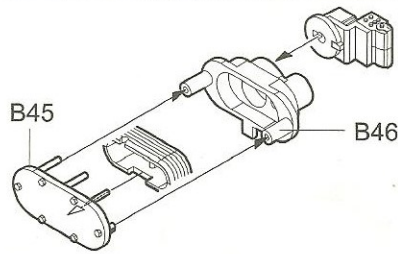
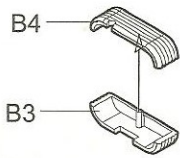
19 车面组装
Upper hull assembly



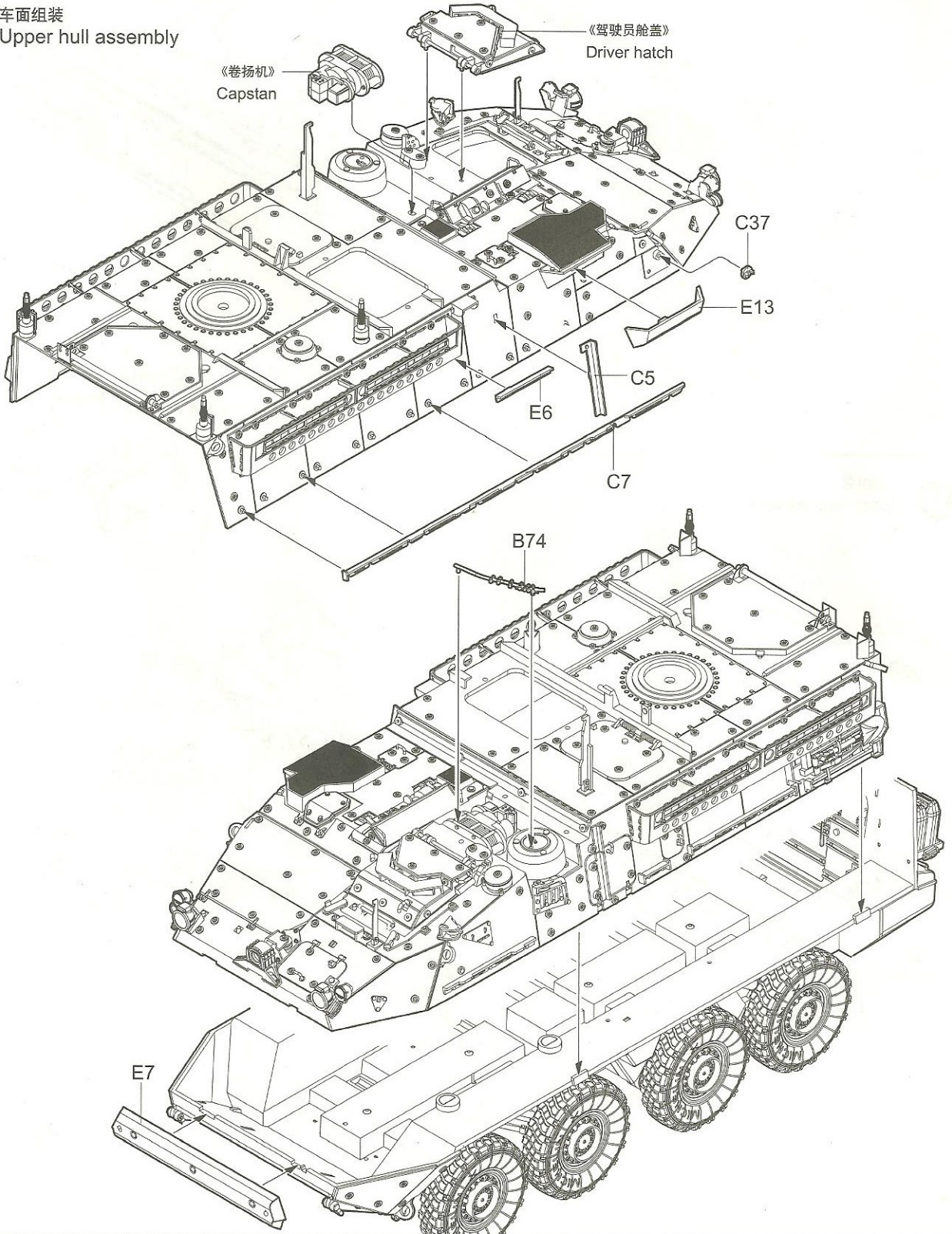
20 车面组装
Upper hull assembly



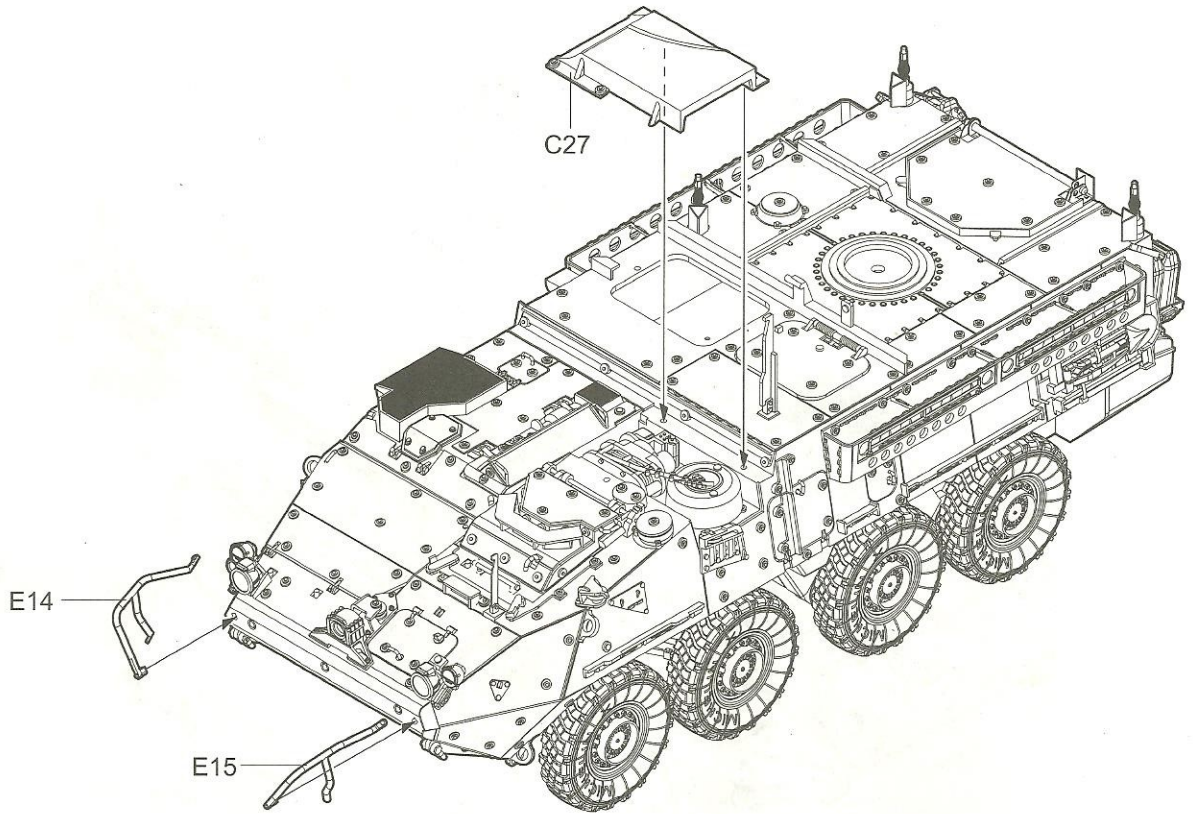
21 卷扬机组装
Capstan assembly



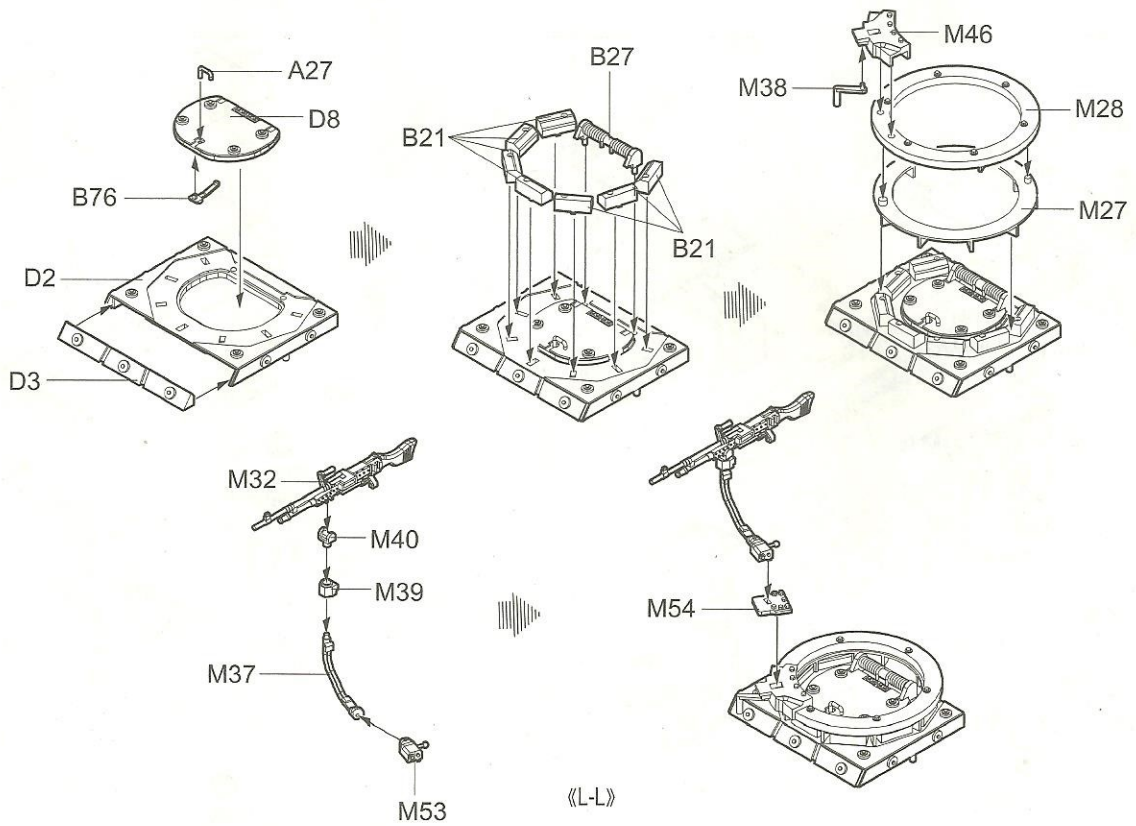
22 车面组装
Upper hull assembly

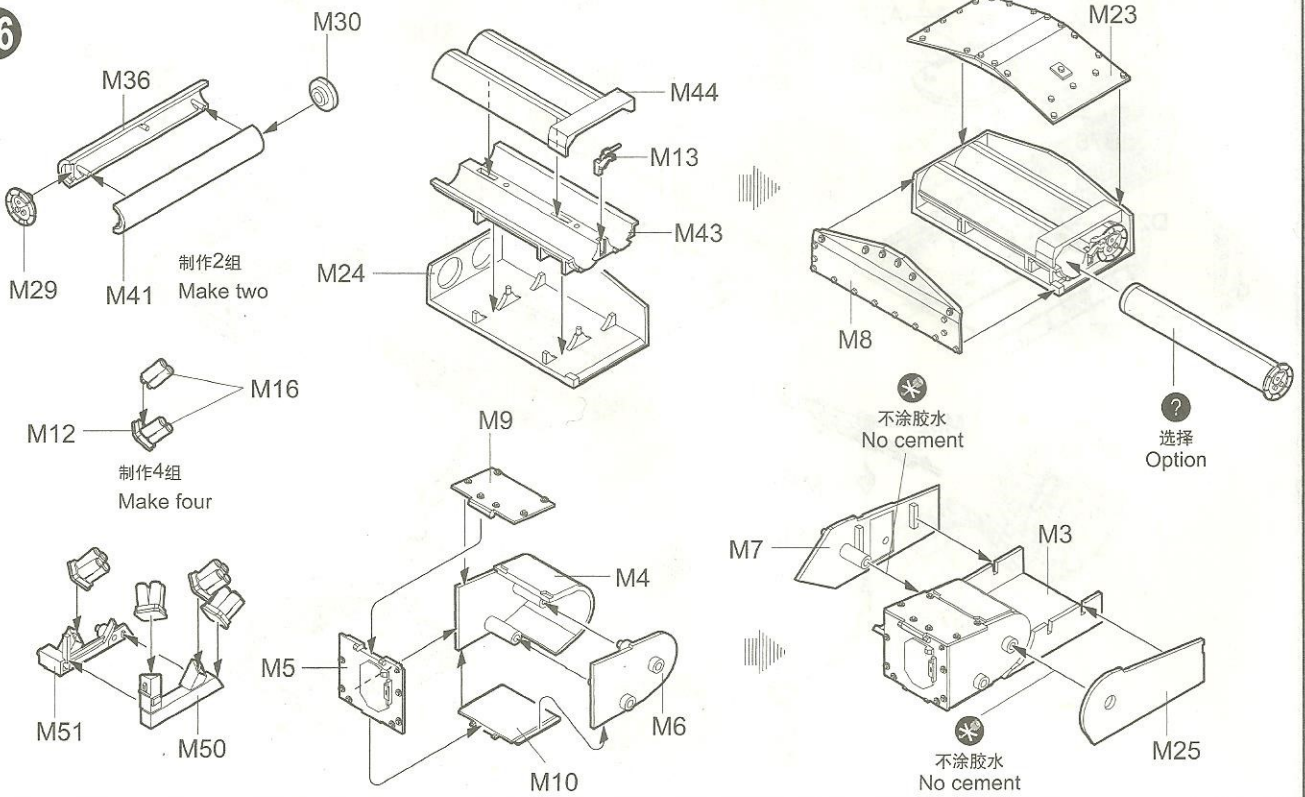
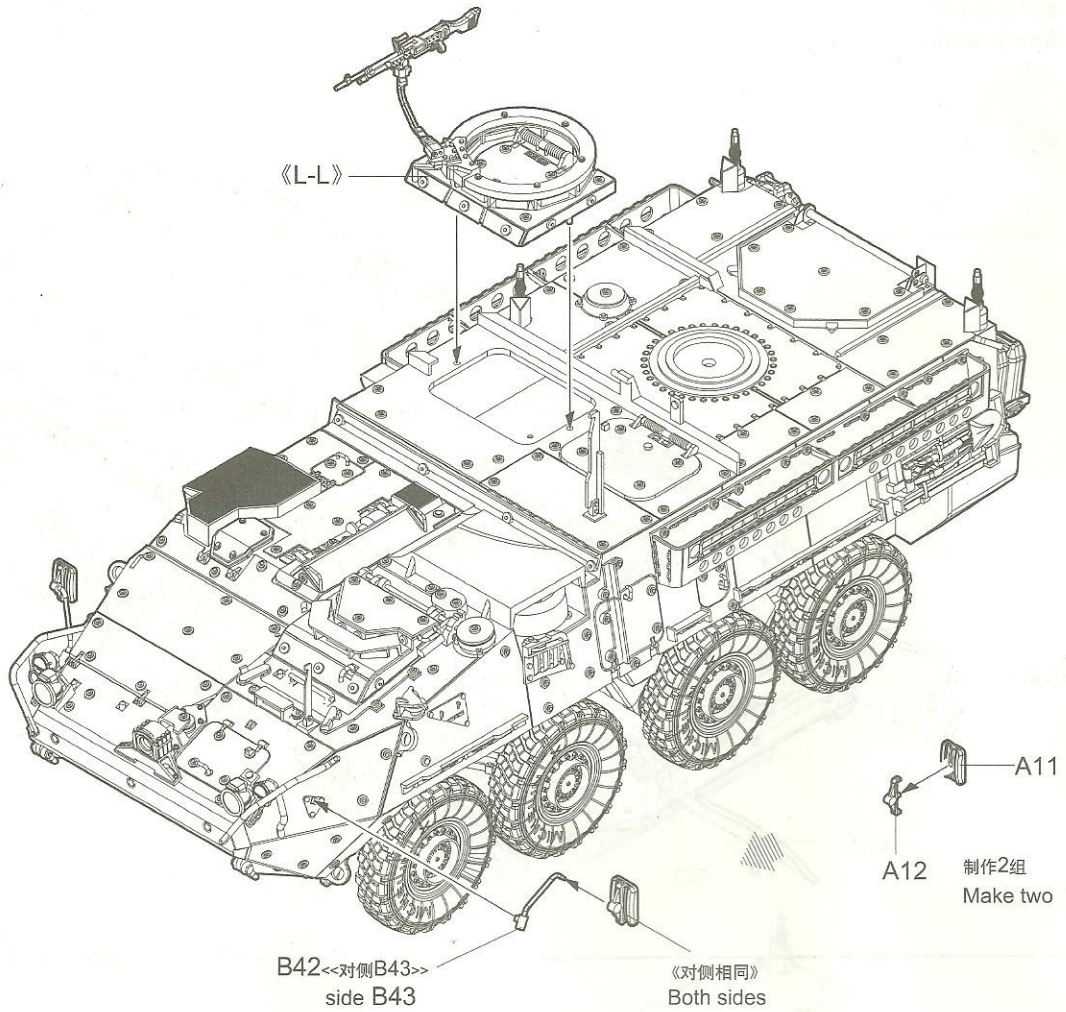


23 车灯护架组装
light bracket assembly

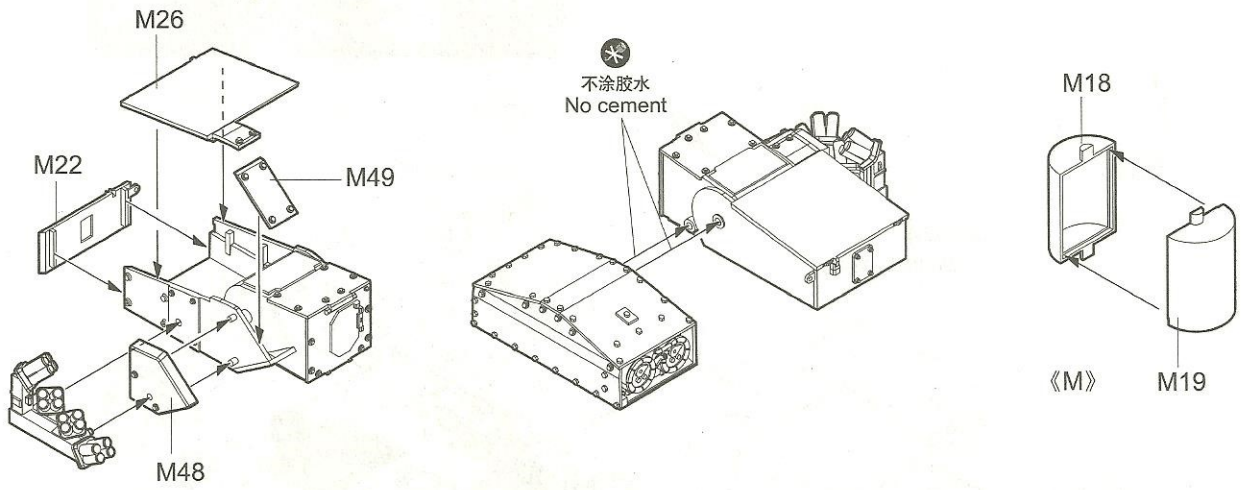


24

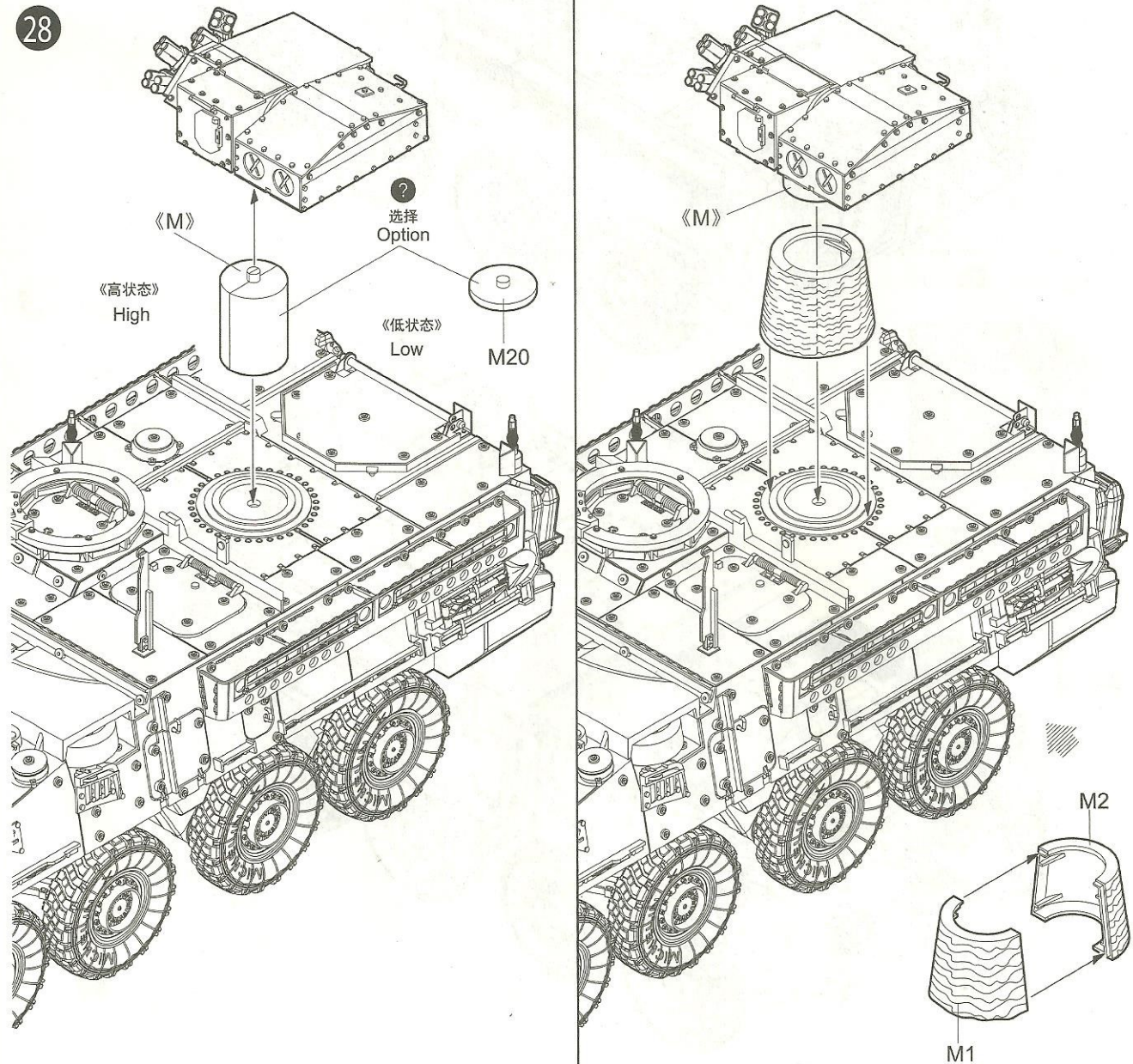




27



28

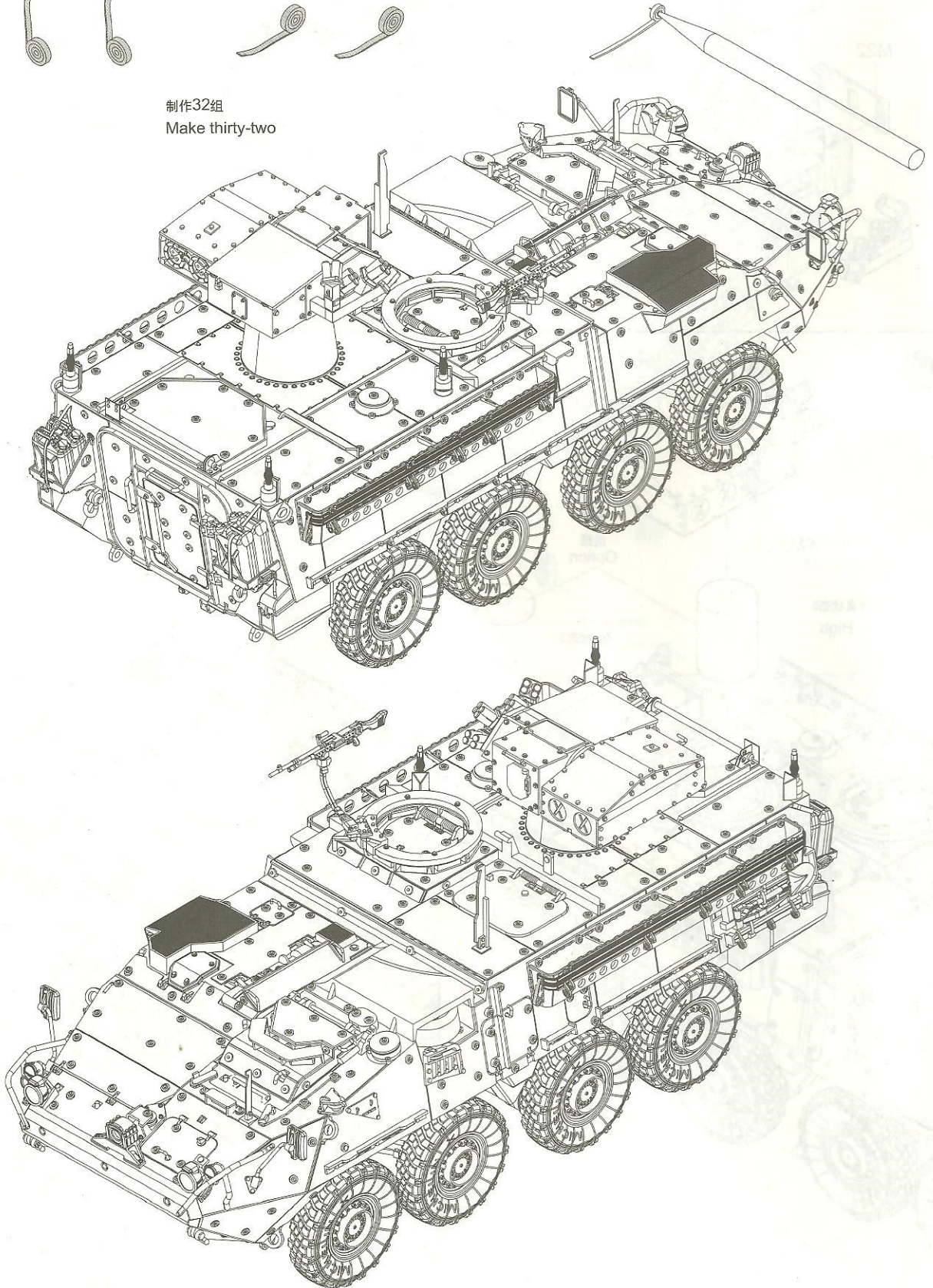


29 捆扎带安装
Strapping installation

切取适当长度
Cut Length as required



制作32组
Make thirty-two



附件:

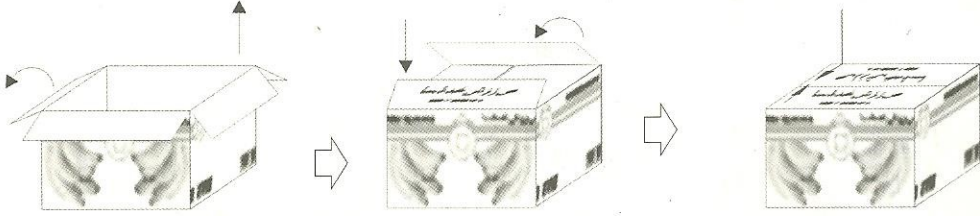
Stowage Set

步骤1
Step1

步骤2
Step2

步骤3
Step3

饮用水箱
Water cases

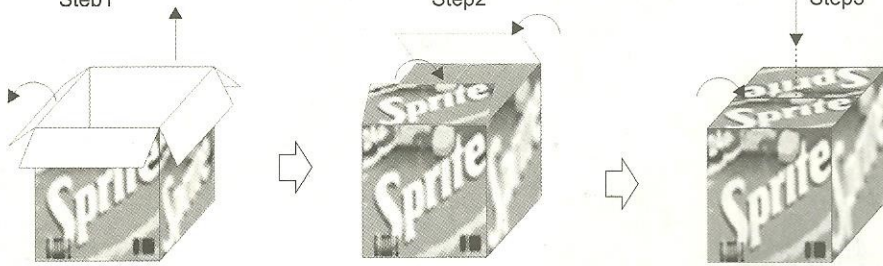


饮料箱
Beverage box

步骤1
Step1

步骤2
Step2

步骤3
Step3



食品箱
MRE ration pack

步骤1
Step1

步骤2
Step2

步骤3
Step3

