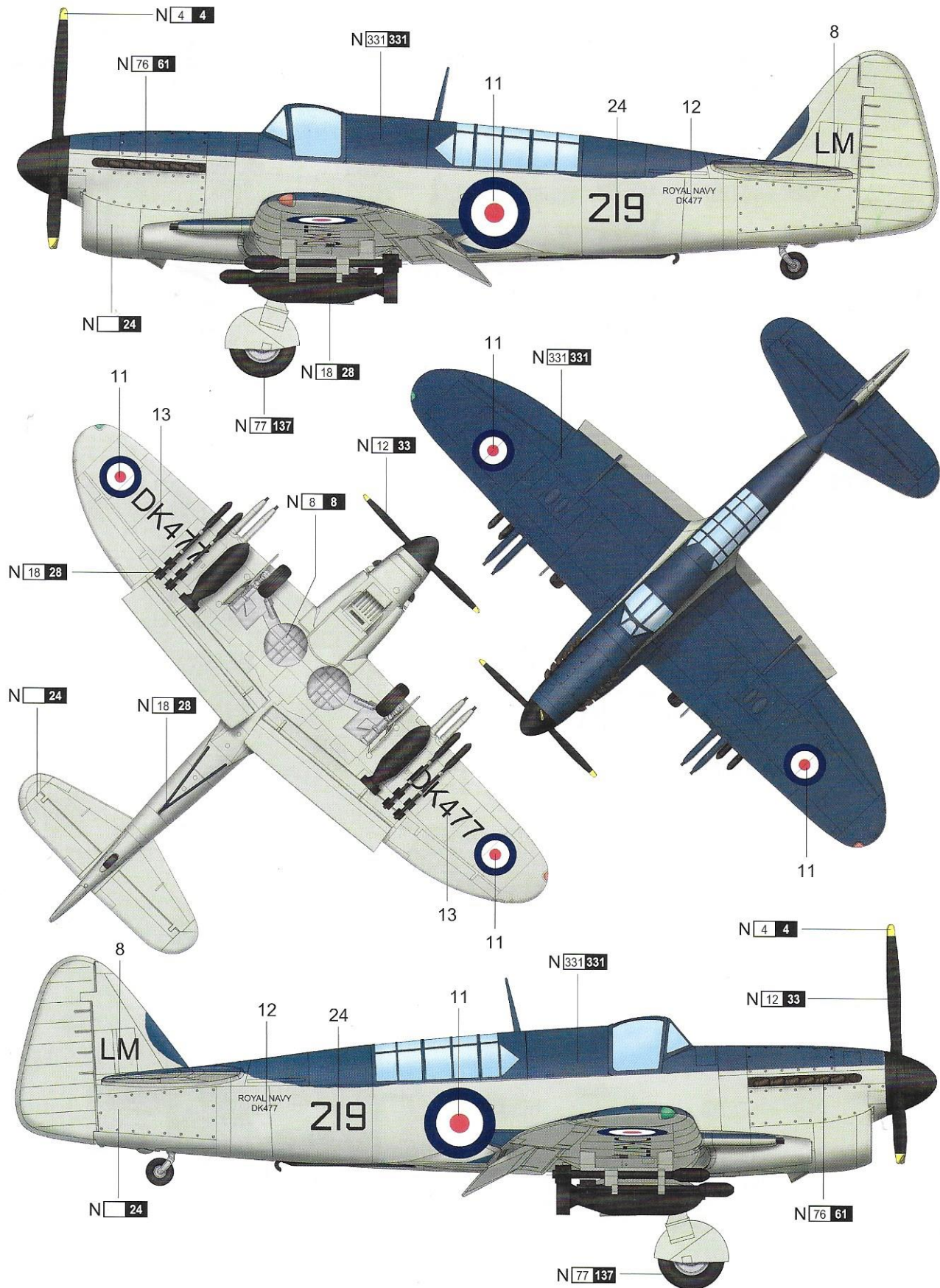


涂装同标贴指示
Painting & Marking guide

PAINT REFERENCE COLOUR

Color	Mr.Hobby	Vallejo	Model Master	Tamiya	Humbrol	Color	Mr.Hobby	Vallejo	Model Master	Tamiya	Humbrol
银色 Silver	N 8 8	997	1546	X11	11	黑铁色 Steel	N 18 28	864	1402	-	-
胎黑色 Tire Black	N 77 137	-	-	-	-	消光黑 Flat Black	N 12 33	950	1749	XF1	33
深海灰 Dark Seagrays BS310/638	N 331 331	-	-	XF54	164	黄色 Yellow	N 4 4	953	1514	X8	69
						天空色 Sky	N 24	-	-	-	-

A Firefly FR.1 FAA 766 Sqn. DK477 RNAS Lossiemouth 1949.



H AQUEOUS HOBBY COLOR

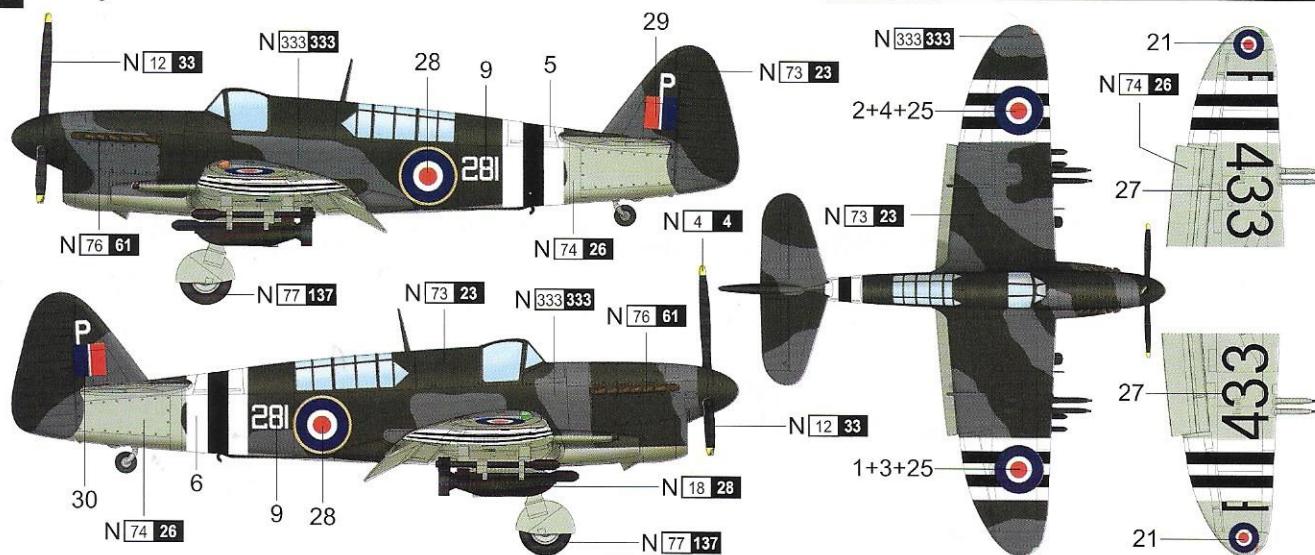
X Mr. COLOR

涂装同标贴指示
Painting & Marking guide

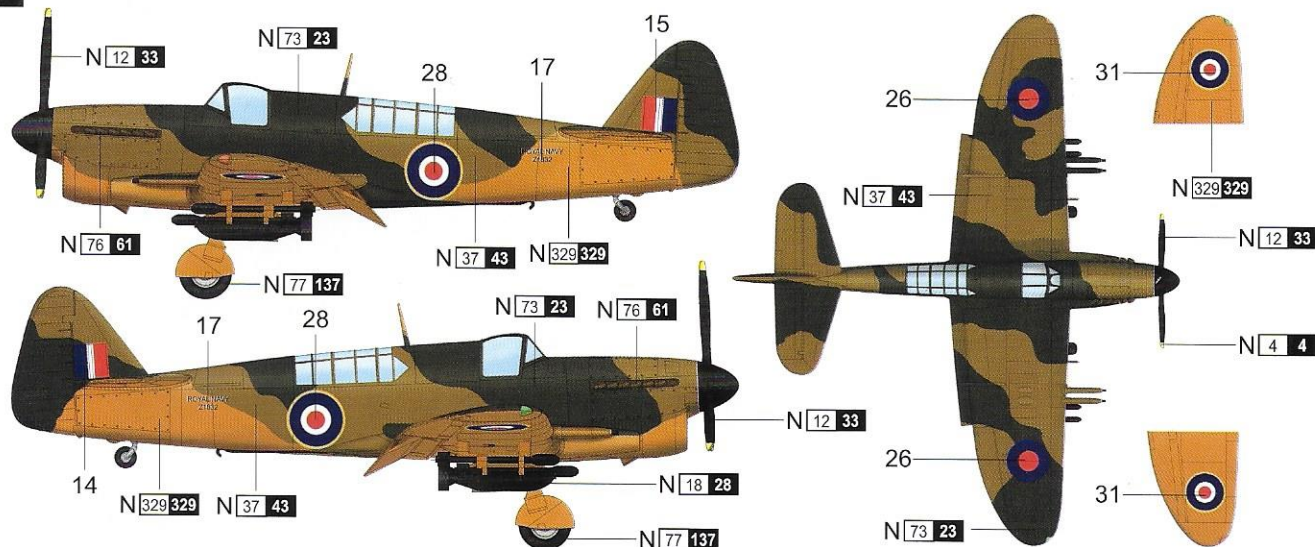
PAINT REFERENCE COLOUR

Color	Mr.Hobby	Vallejo	Model Master	Tamiya	Humbrol	Color	Mr.Hobby	Vallejo	Model Master	Tamiya	Humbrol
鸭蛋绿 Light Grey Green	N 74 26	906	-	XF21	27	深绿色 Dark Green BS381C641	N 330 330	892	-	-	163
墨绿色 Dark Green(2)	N 73 23	895	-	XF26	30	木棕色 Wood Brown	N 37 43	983	1701	-	186
深海灰 Dark Seagray	N 333 333	994	-	XF50	123	烧铁色 Burnt Iron	N 76 61	863	1795	X10	53
						黄色 Orange Yellow	N 329 329	-	1514	X8	188

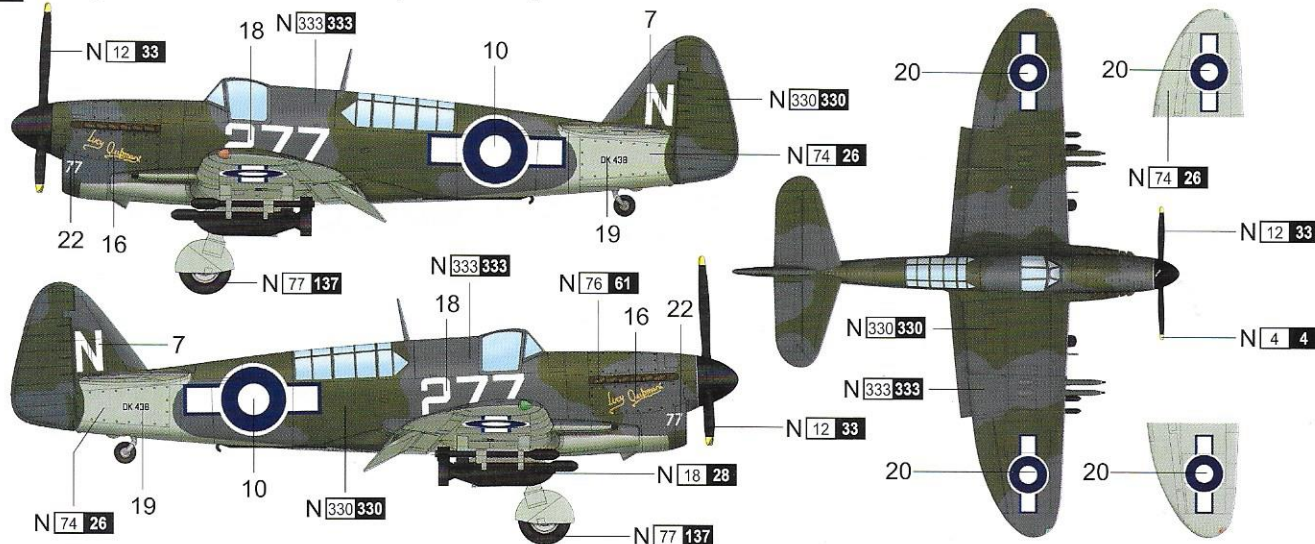
B Firefly Mk.1 827 NAS FAA.



C Firefly Mk.1 July 1943.



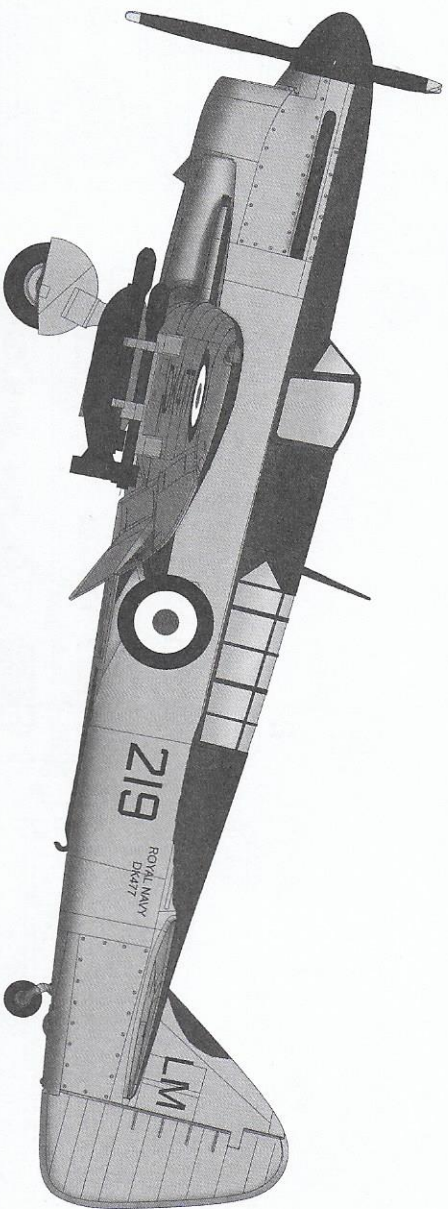
D Firefly FR.1 DK438 of 1771 Sqn. HMS Implacable 1945.



H AQUEOUS HOBBY COLOR M Mr. COLOR

1/48 SCALE

ITEM NO.:05810



Fairey Firefly MK.1

英国“萤火虫”MK.1舰载战斗机

READ BEFORE ASSEMBLY:

- This kit is not recommended for inexperienced modelers or for children under 14 years of age
- Study and understand these instructions thoroughly before beginning assembly
- When needed, remove photo-etch parts carefully using a modeling knife or photo etch sprue cutter, being careful not to damage or lose small parts.
- Take extra care in handling photo etch parts in order to avoid injury
- Apply instant cement sparingly to photo etch parts where instructed

- Tools recommended(not included in kit):Plastic and instant cements,sprue cutters,long nose pliers,modeling knife, small files, tweezers, pin vise & scissors. Soft cloth and sandpaper will also assist in construction
- Glue and paint are not included in the kit. Use plastic cement and hobby paints only. Color guide for purchasing paint is included in the kit.
- Keep out of reach of children. They must not be allowed to ingest small parts or handle plastic bags in any way.

装配之前仔细阅读

- 小心用模型锉刀锉平所有零件表面的注射浇口。
- 小心用刀片切下蚀刻片零件，不要遗失小零件。
- 用强力快干胶水粘合蚀刻片零件和金属轴。过量的快干胶水使用可能导致可动零件会粘住，小心涂胶。
- 取蚀刻片时应特别注意安全，防止利刃划伤手指。
- 某些零件表面需贴水上贴纸，请选择在装配的同时进行。推荐模型工具(自备)：胶水，水口剪刀，长咀钳，刀片，锉刀，镊子钳，钻，剪刀，瞬间快干胶。
- 软布同砂纸同时也应该是必备工具。
- 请使用塑料胶水和油漆，模型内不含。
- 谨防小孩吸吮塑料零件，或者将塑料袋套在头上，制作时应将套材远离小孩接触。
- 本产品不适合14岁以下没有经验的模型爱好者。

水贴纸的使用:

- 1.从水贴纸上剪下印花;
- 2.将印花放入温水中浸10秒,然后放在干净布上。
- 3.拿着印花纸板将印花移到模型上;
- 4.手指蘸水将印花移到适当的位置;
- 5.用软布轻压印花直至水干,汽泡消失。

DECAL APPLICATION:

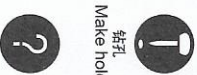
- 1.Cut decals from sheet as needed
2. Dip the decal in warm water for about 10 seconds and then place on soft clean cloth.
3. Hold the decal backing sheet edge and gently slide the decal onto the model in its proper position.
4. While still wet,decal can be adjusted for better fit on model by dampening it gently with your finger.
5. When placed in the proper position,gently press decal down with a soft cloth until excess water and air bubbles are gone.
6. Allow decal to dry completely before handling model



使用强力胶
Cyanocrylate glue



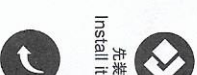
打磨
File / Sand



钻孔
Make hole

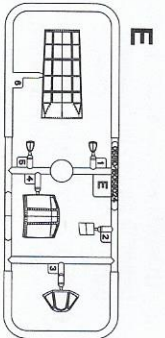
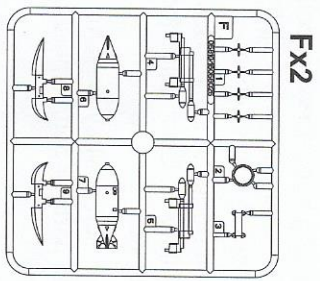
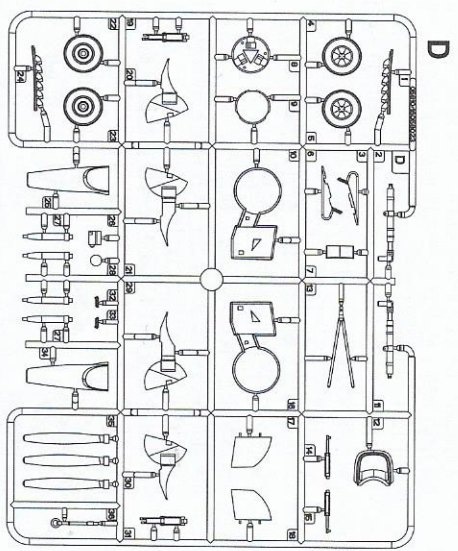
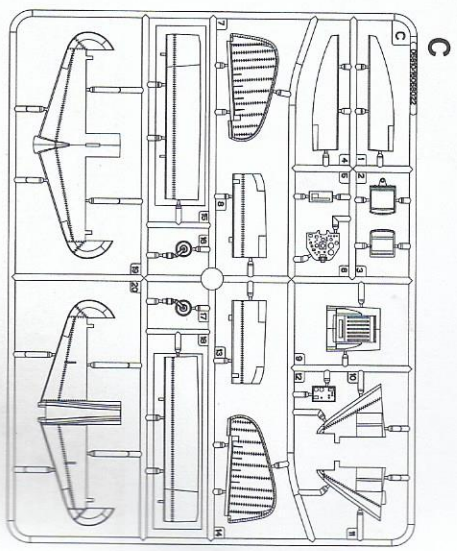
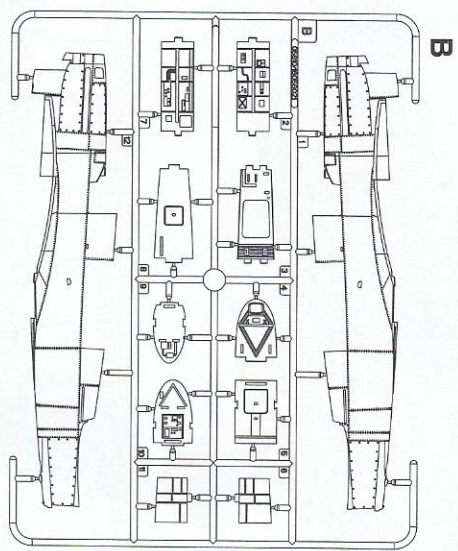
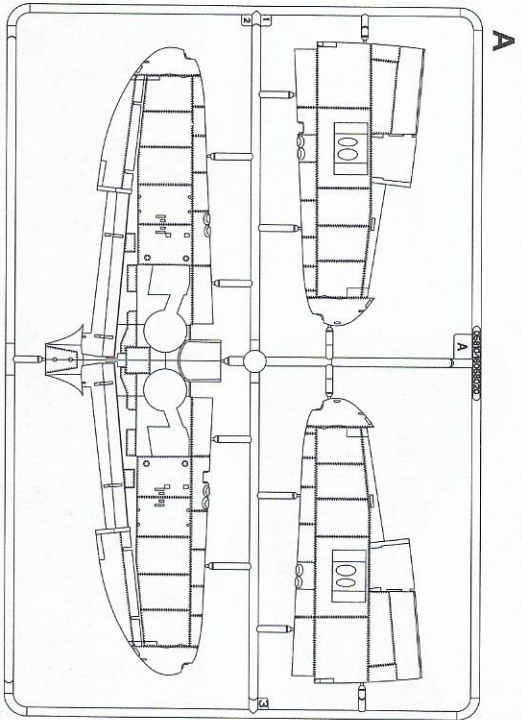


清除
Cut / Remove
不涂胶水
No cement

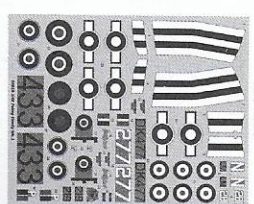


先装
Install it first
弯曲
Bend

部品图
Parts

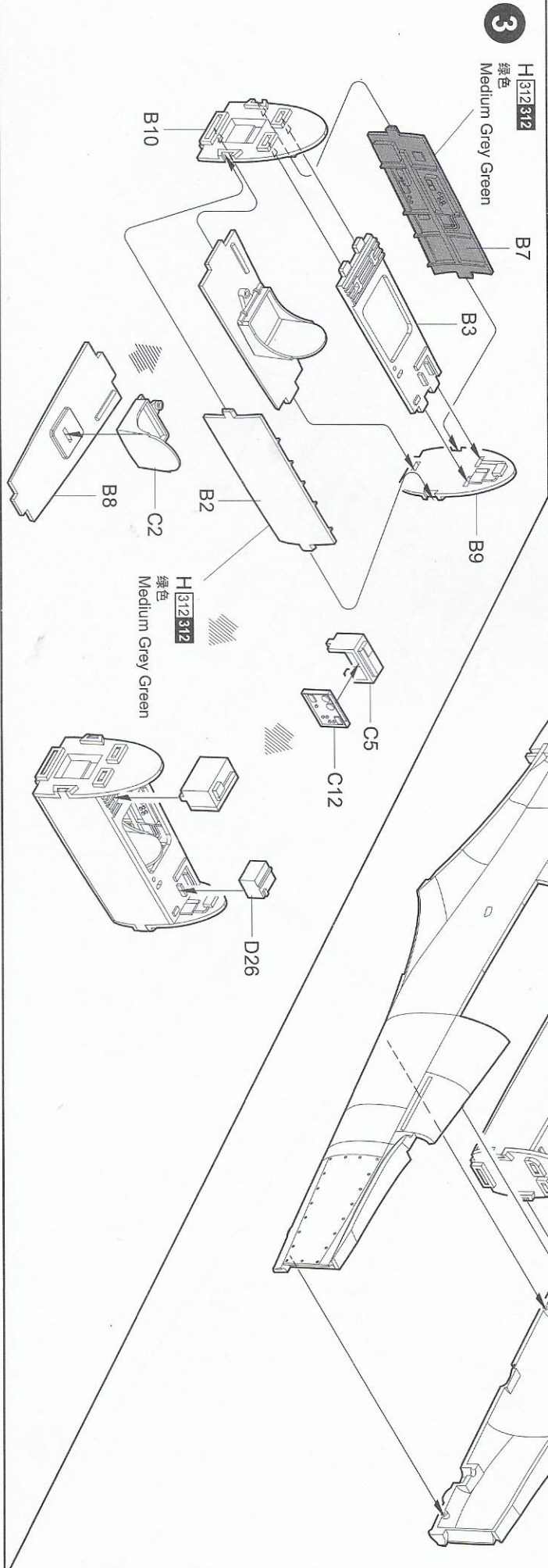
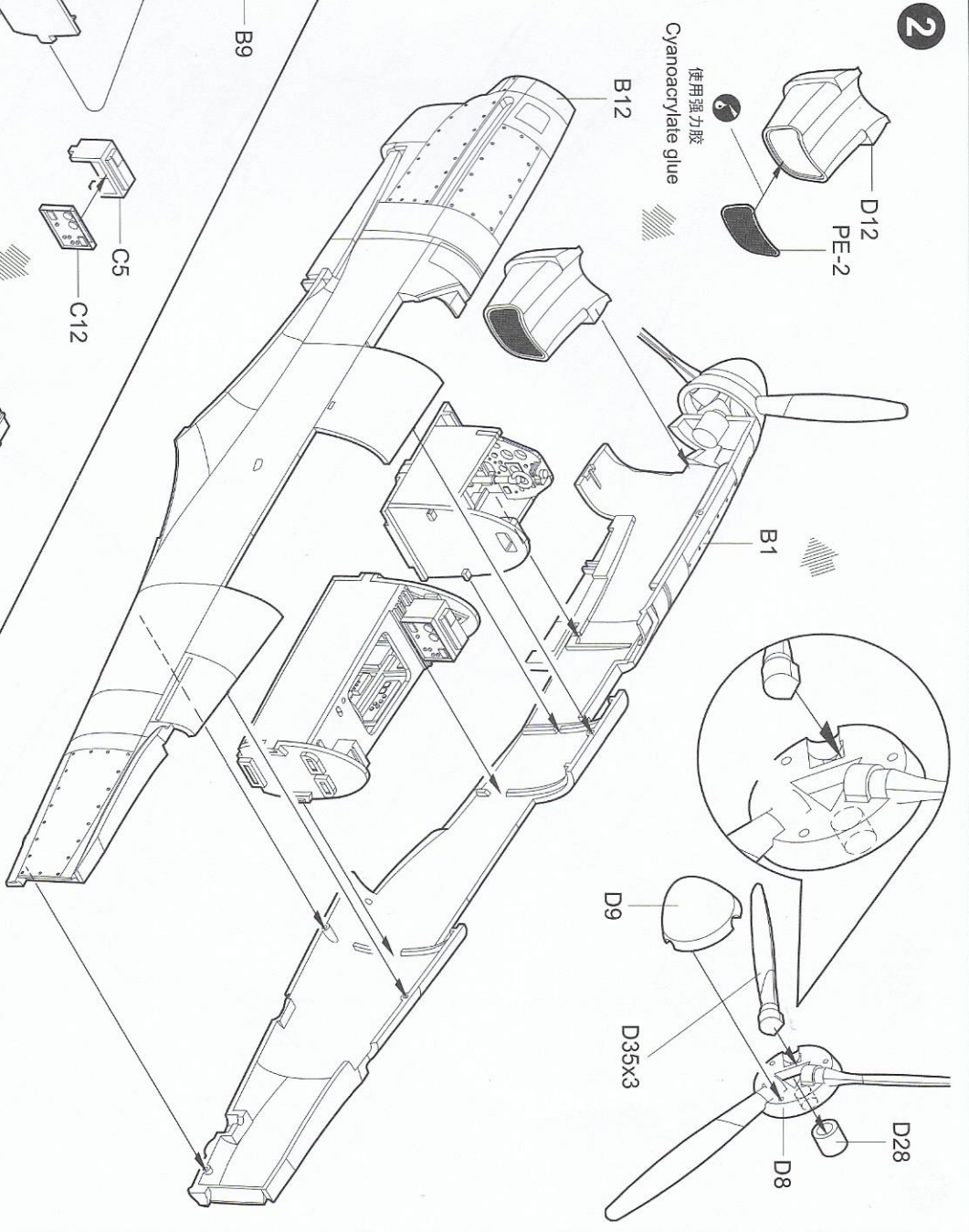
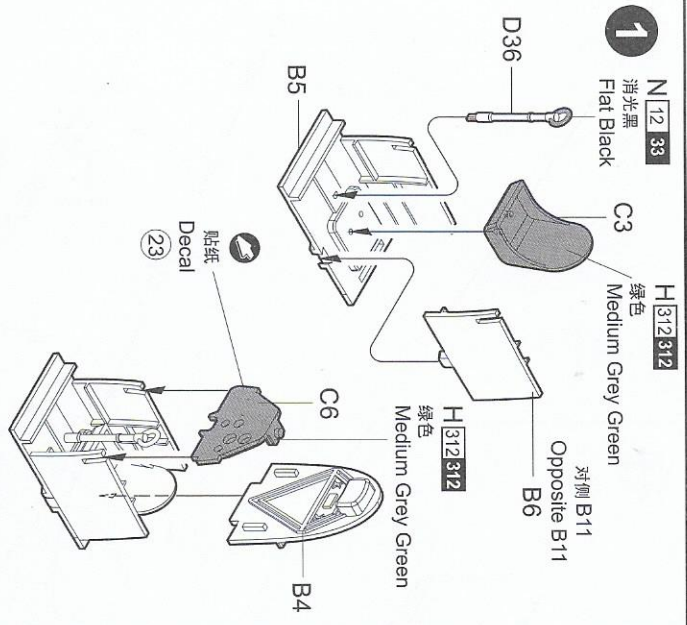


《独刻片》
PE

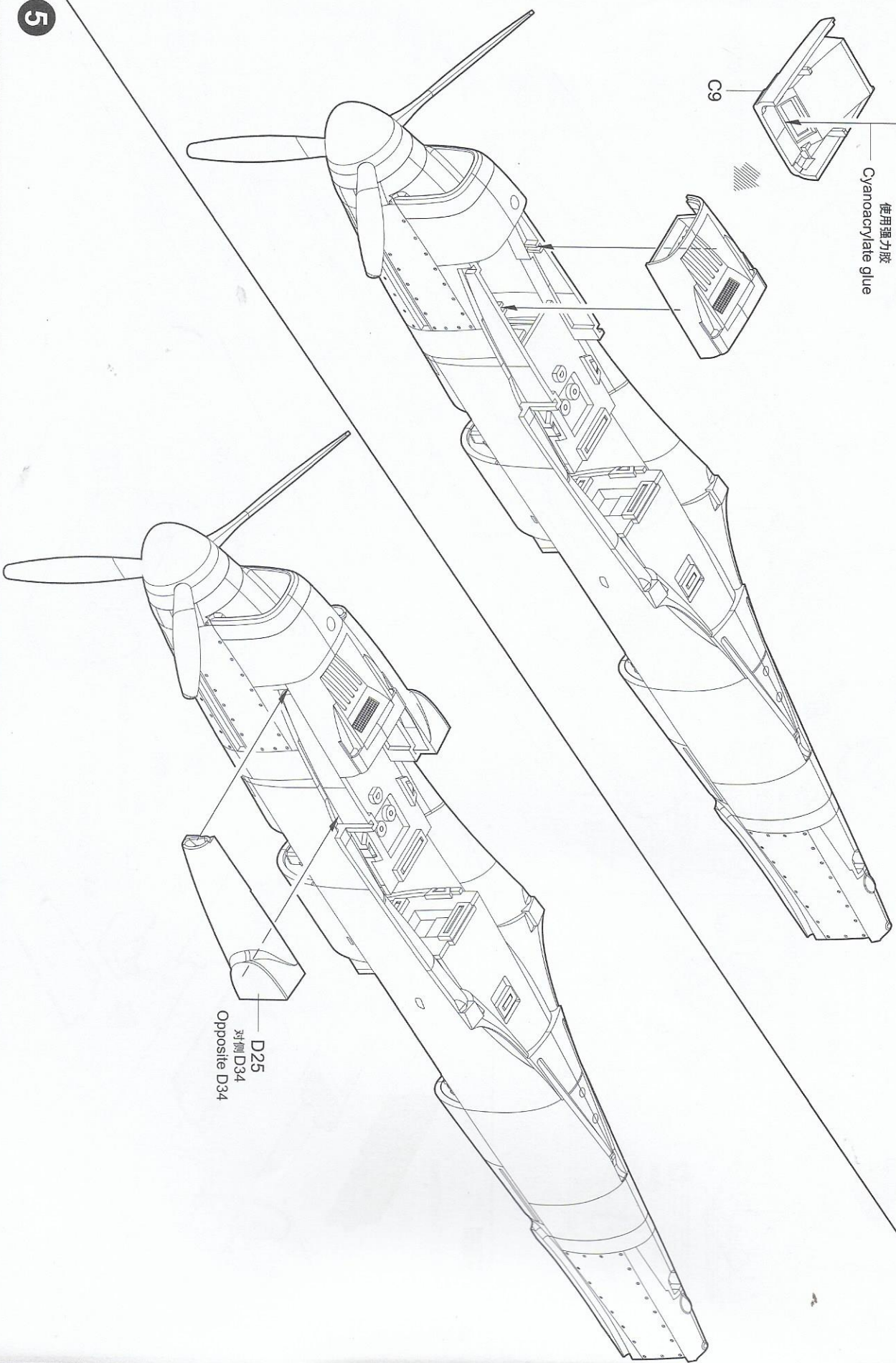
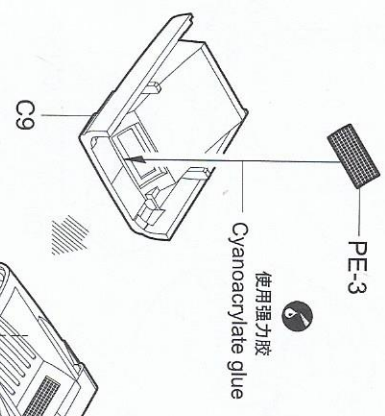


《水贴》
Decal

不用的部件: D21, D29
Unused parts



4



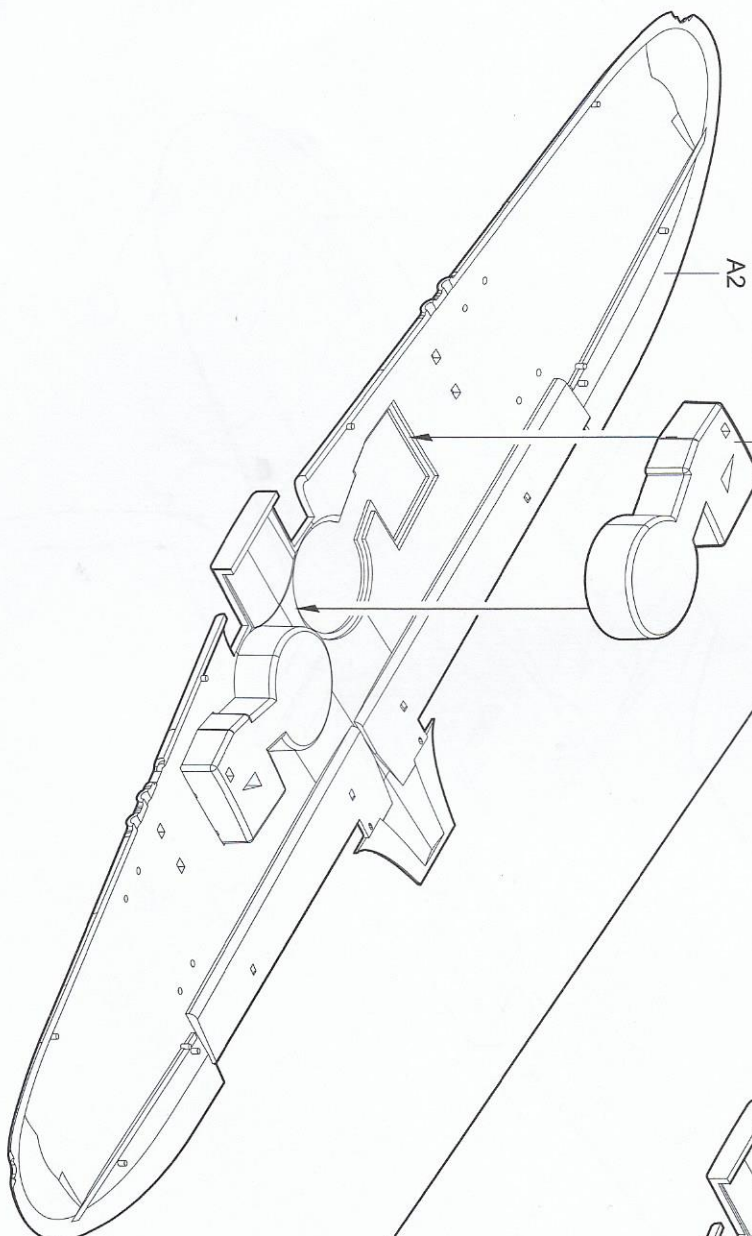
D25
对侧 D34
Opposite D34

5

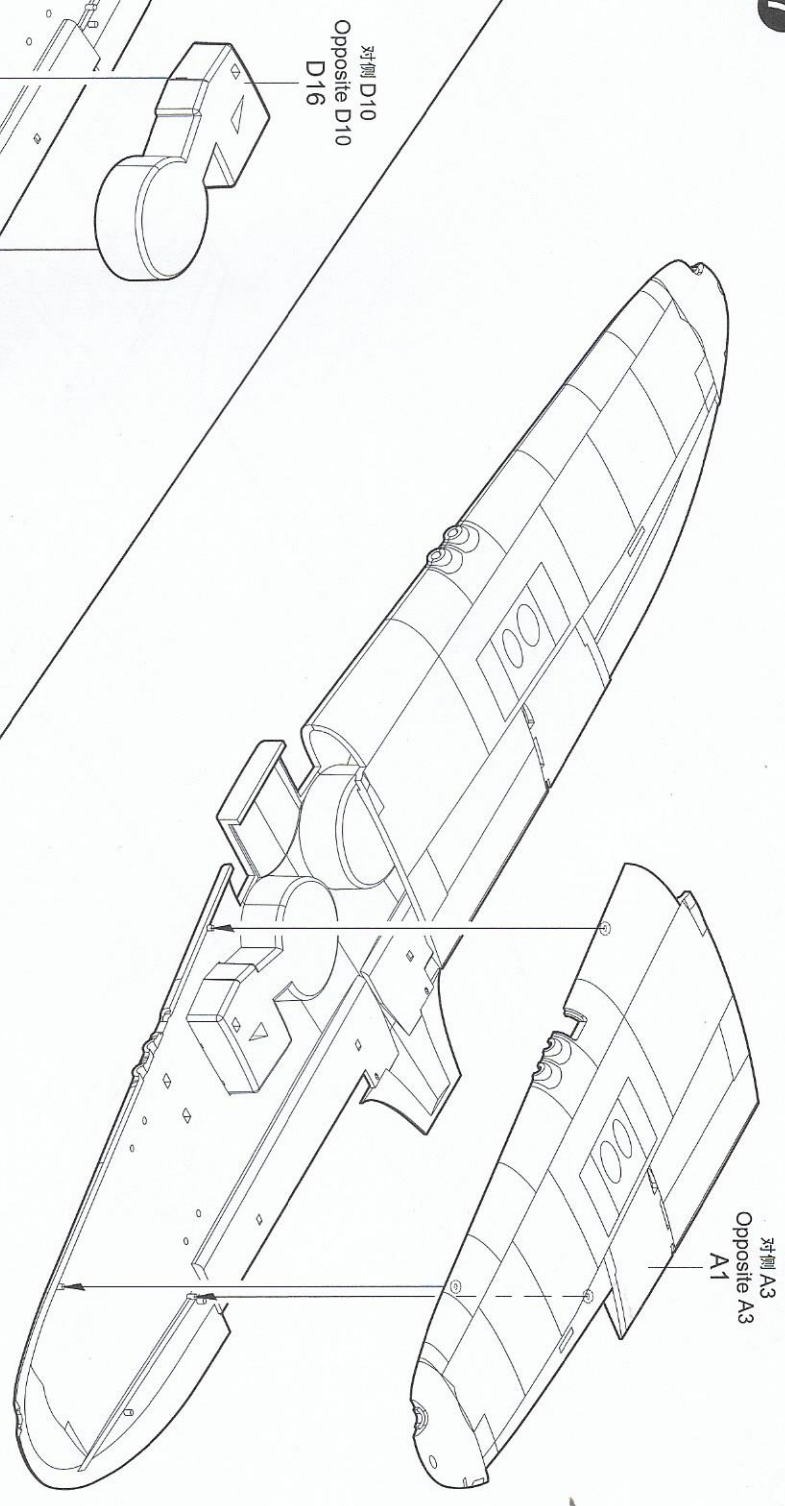
05810

4

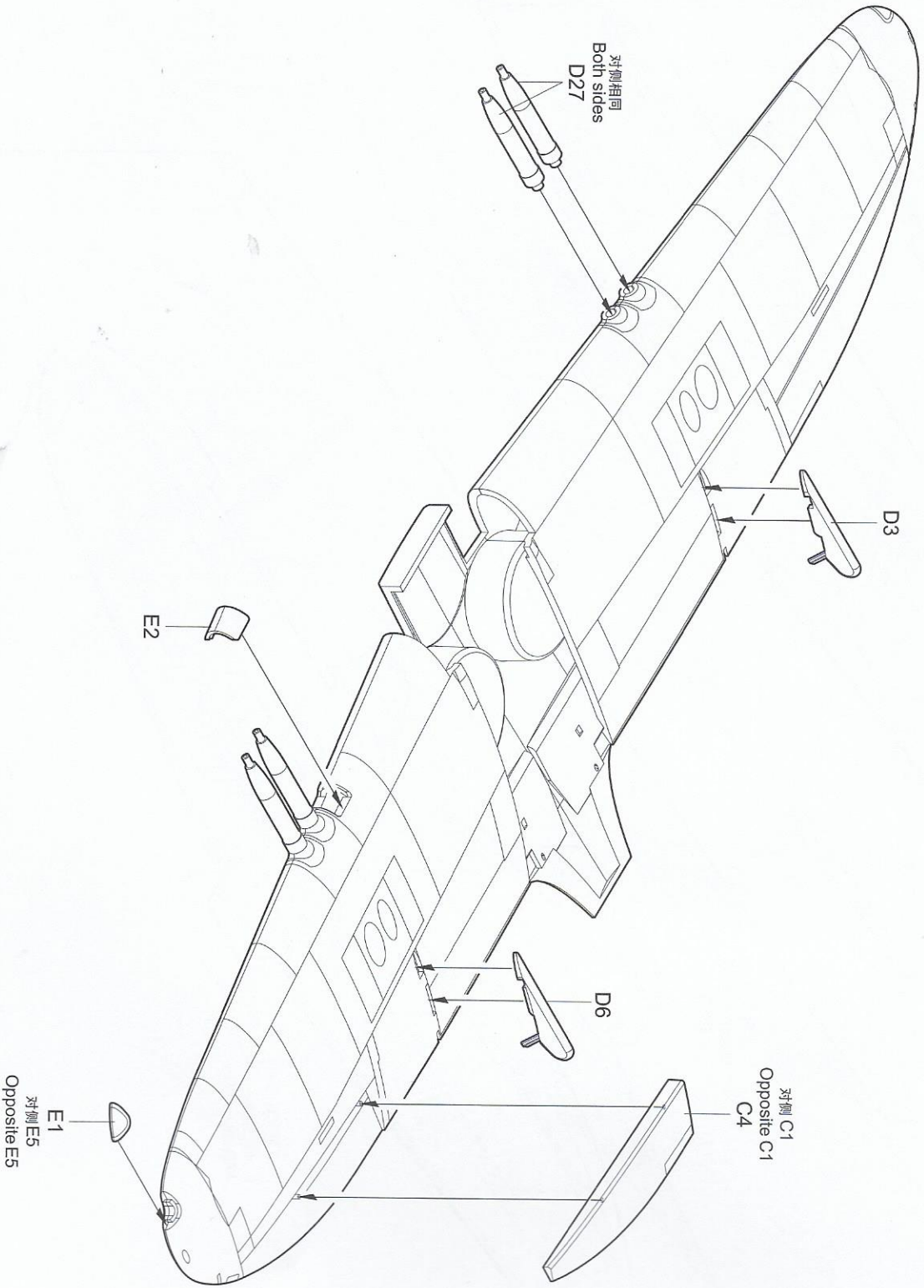
6

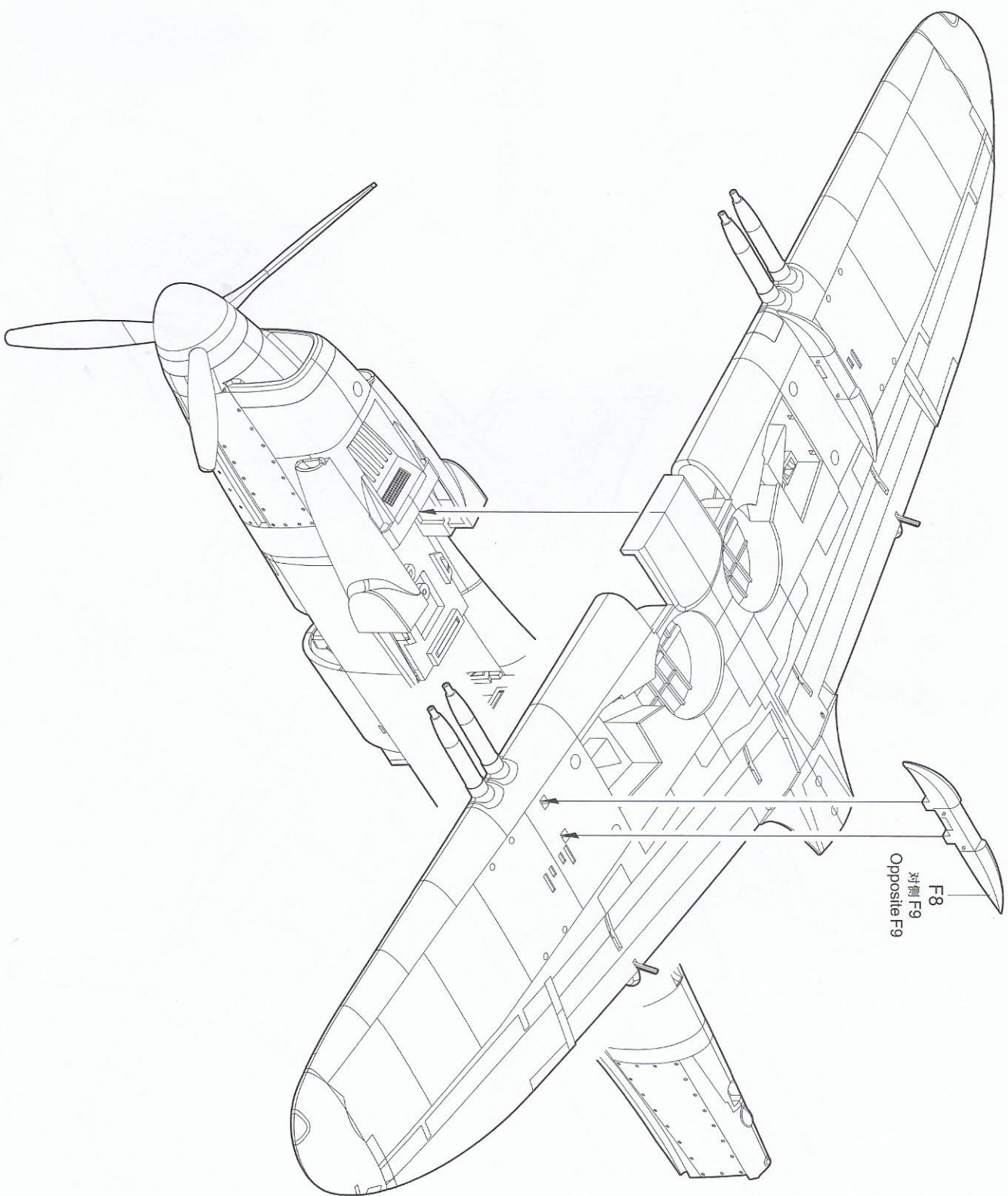


7

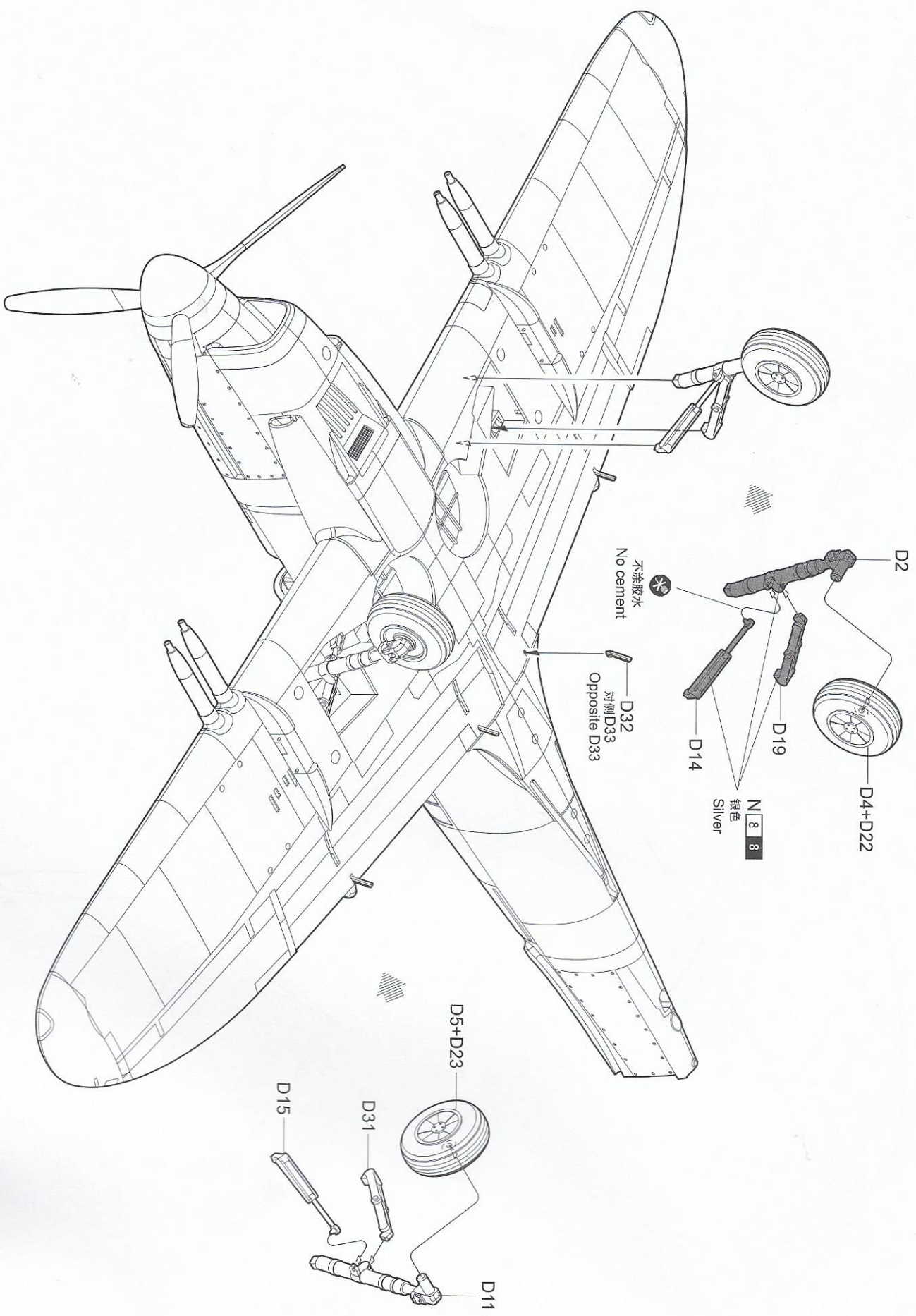


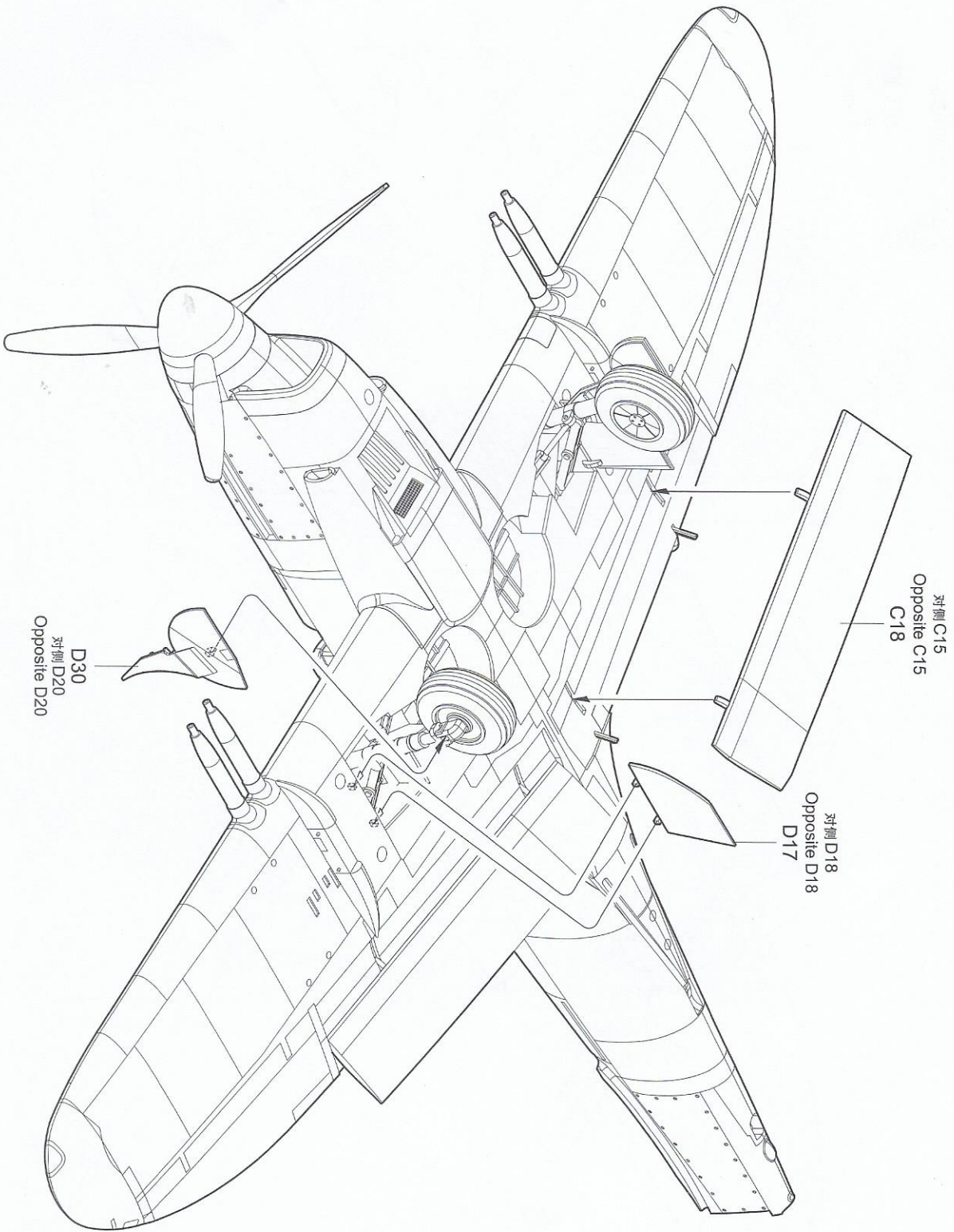
《左侧机翼》
Left wing

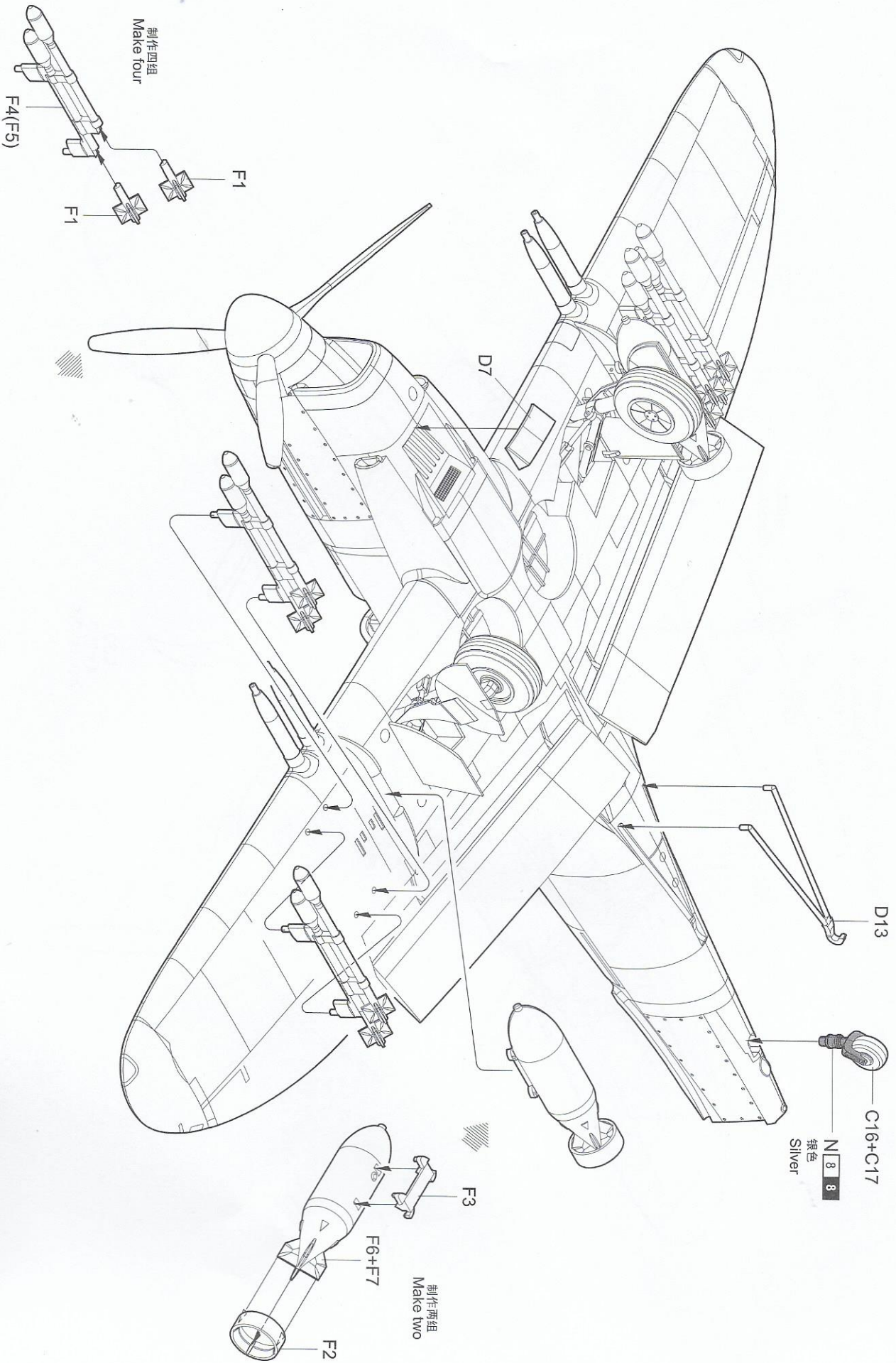




F8
対側 F9
Opposite F9







D13

C16+C17

N 8 8
银色
Silver

D7

制作四组
Make four

制作两组
Make two

F4(F5)

F2

F6+F7

F3

F1

F1

