

2P16 Launcher with Missile of 2k6 Luna (FROG-5)

俄罗斯“蛙5”2P16导弹发射车

READ BEFORE ASSEMBLY:

- Study and understand these instructions thoroughly before beginning assembly
- When needed, remove photo-etch parts carefully using a modeling knife or photo etch sprue cutter, being careful not to damage or lose small parts.
- Take extra care in handling photo etch parts in order to avoid injury
- Apply instant cement sparingly to photo etch parts where instructed
- Tools recommended(not included in kit):Plastic and instant cements, sprue cutters,long nose pliers,modeling knife, small files, tweezers, pin vise & scissors. Soft cloth and sandpaper will also assist in construction
- Glue and paint are not included in the kit. Use plastic cement and hobby paints only. Color guide for purchasing paint is included in the kit.

装配之前仔细阅读

- 小心用模型锉刀锉平所有零件表面的注射浇口。
- 小心用刀片切下蚀刻片零件，不要遗失小零件。
- 用强力快干胶水粘合蚀刻片零件和金属轴。过量快干胶水使用可能导致可动零件会粘住，小心涂胶。
- 取蚀刻片时应特别注意安全，防止利边划伤手指。
- 某些零件表面需贴水上贴纸，请选择在装配的同时进行。
- 推荐模型工具(自备)：胶水，水口剪刀，长咀钳，刀片，锉刀，镊子，钳，钻，剪刀，瞬间快干胶。
- 软布同砂纸同时也应该是必备工具。
- 请使用塑料胶水和油漆，模型内不含。



配重
Weight



使用强力胶
Cyanoacrylate glue



钻孔
Make hole



切除
Cut / Remove



贴纸
Decal



锉平
File / Sand



选择
Option



不涂胶水
No cement



弯曲
Bend



先装
Install it first

水贴纸的使用:

- 1.从水贴纸上剪下印花;
- 2.将印花放入温水中浸10秒,然后放在干净布上。
- 3.拿着印花纸板将印花移到模型上;
- 4.手指蘸水将印花移到适当的位置;
- 5.用软布轻压印花直至水干, 气泡消失

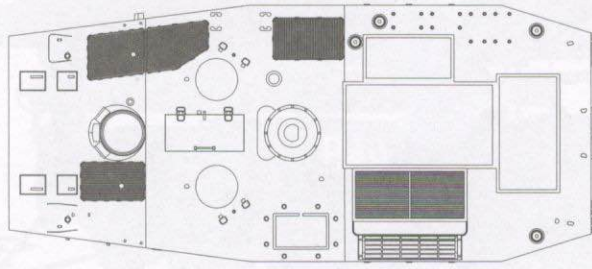
DECAL APPLICATION

- 1.Cut decals from sheet as needed
- 2.Dip the decal in warm water for about 10 seconds and then place on soft clean cloth.
- 3.Hold the decal backing sheet edge and gently slide the decal onto the model in its proper position.

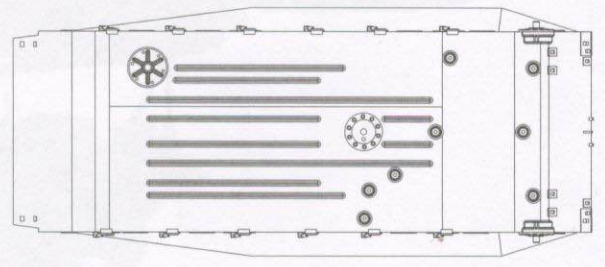
- 4.While still wet,decal can be adjusted for better fit on model by dampening it gently with your finger.
- 5.When placed in the proper position,gently press decal down with a soft cloth until excess water and air bubbles are gone.
- 6.Allow decal to dry completely before handling model

部品图
Parts

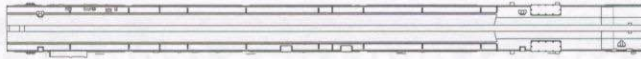
《车面》
Upper hull



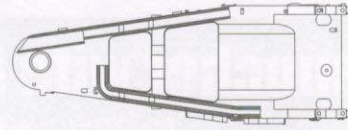
《车底》
Lower hull



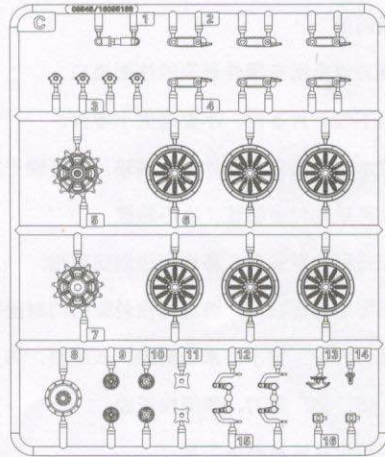
B1



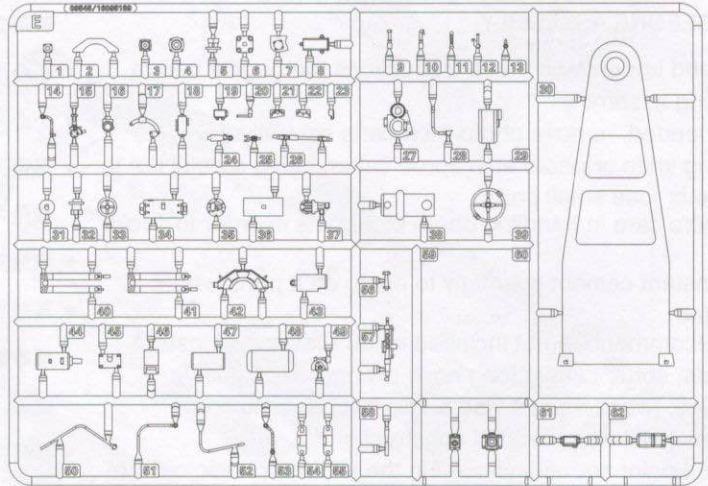
B2



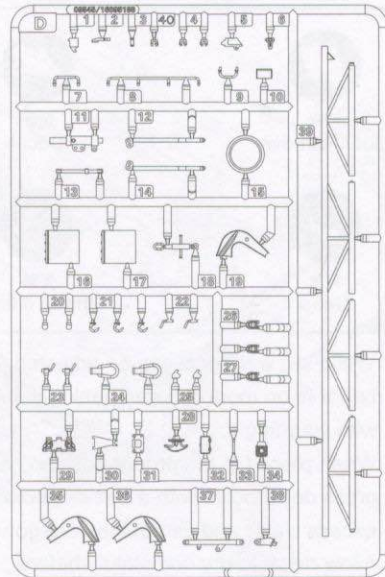
Cx2



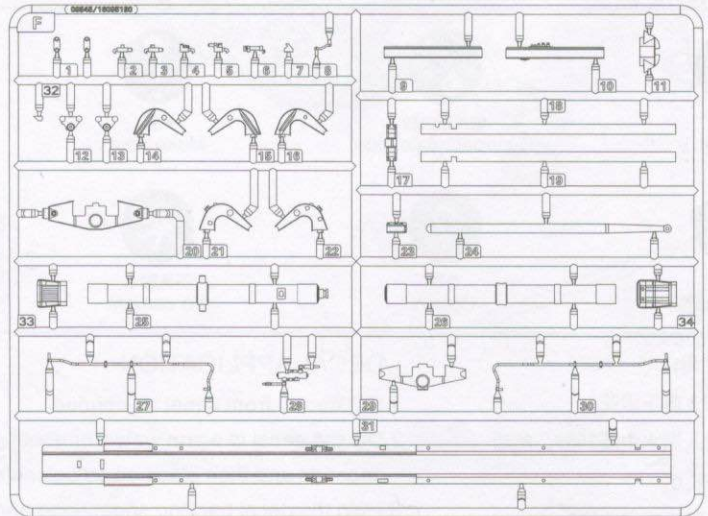
E

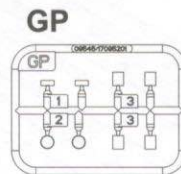
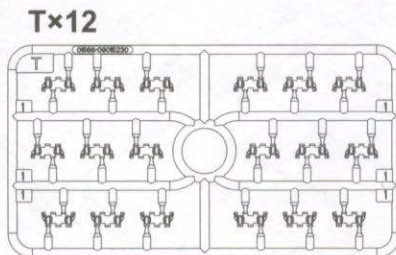
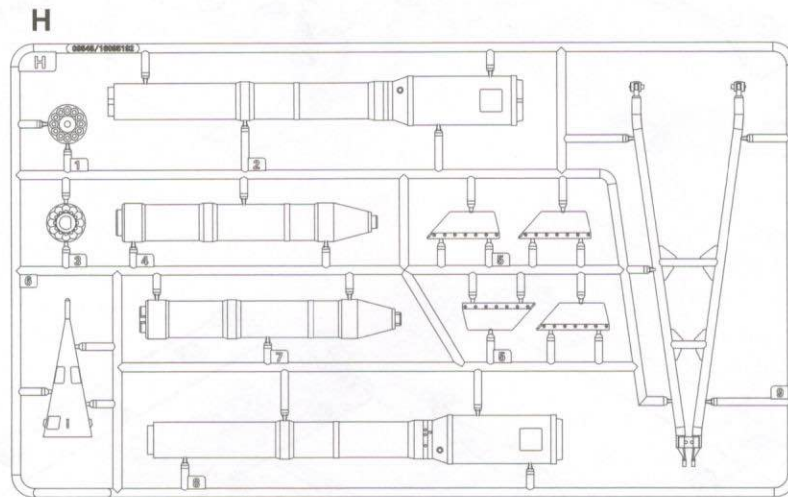
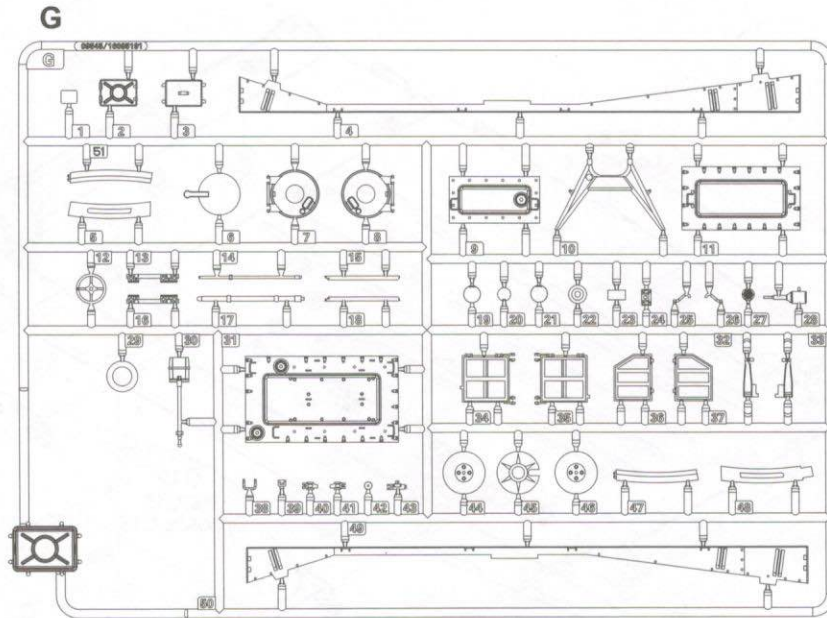


Dx2



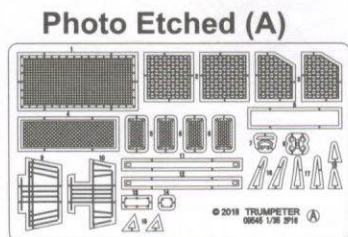
F



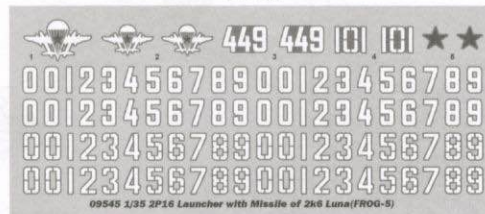


《铜线》: $\varnothing 0.8 \times 328$
Brass wire

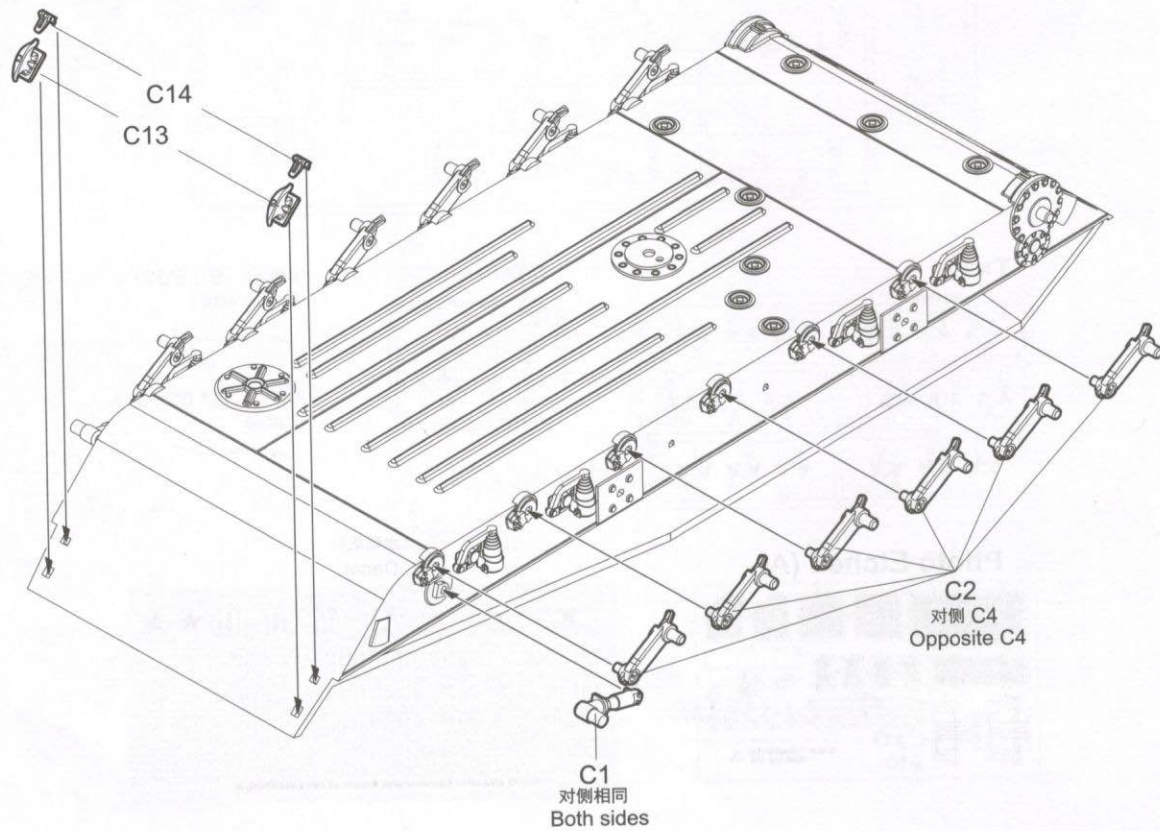
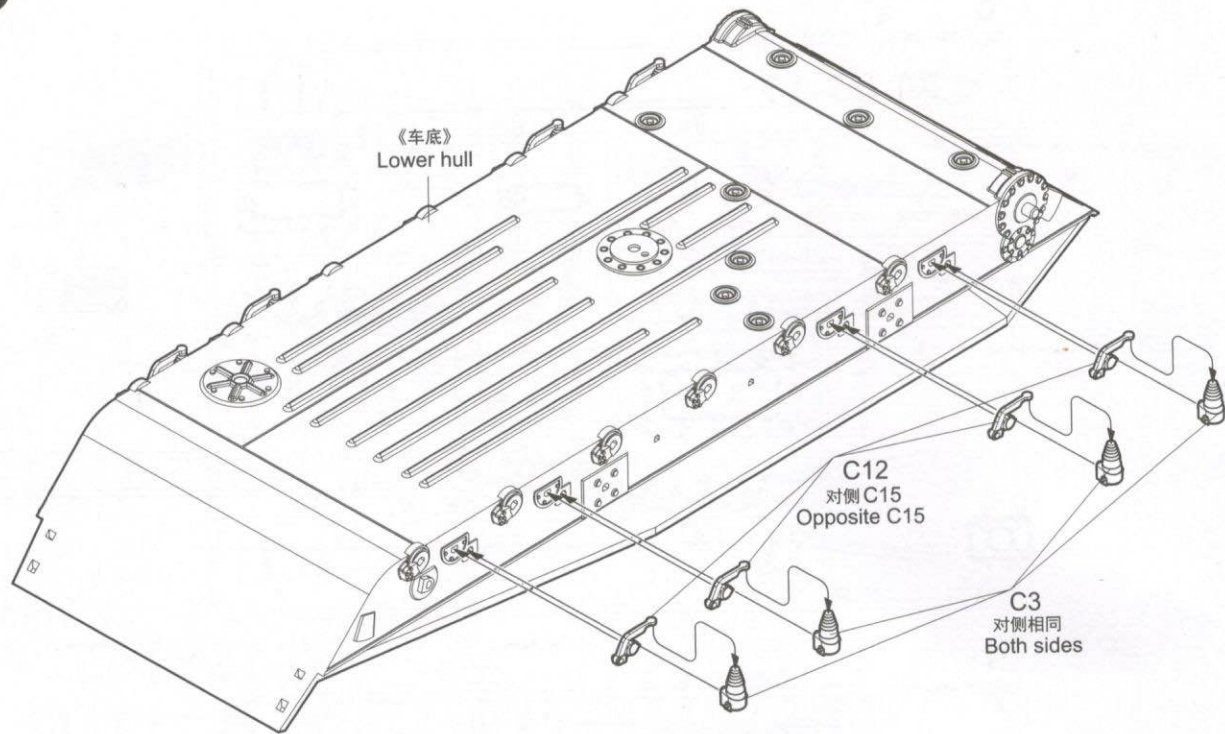
《电缆》: $\varnothing 1.0 \times 350$
Cable



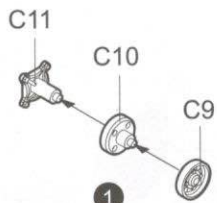
《水贴纸》
Decal



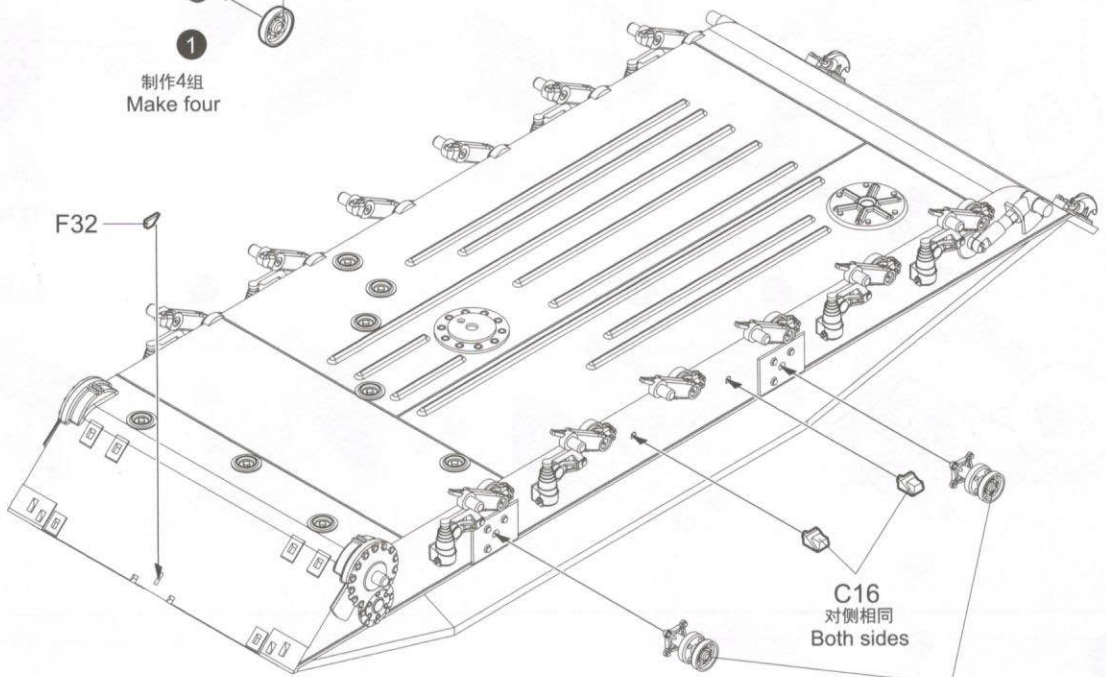
1



2

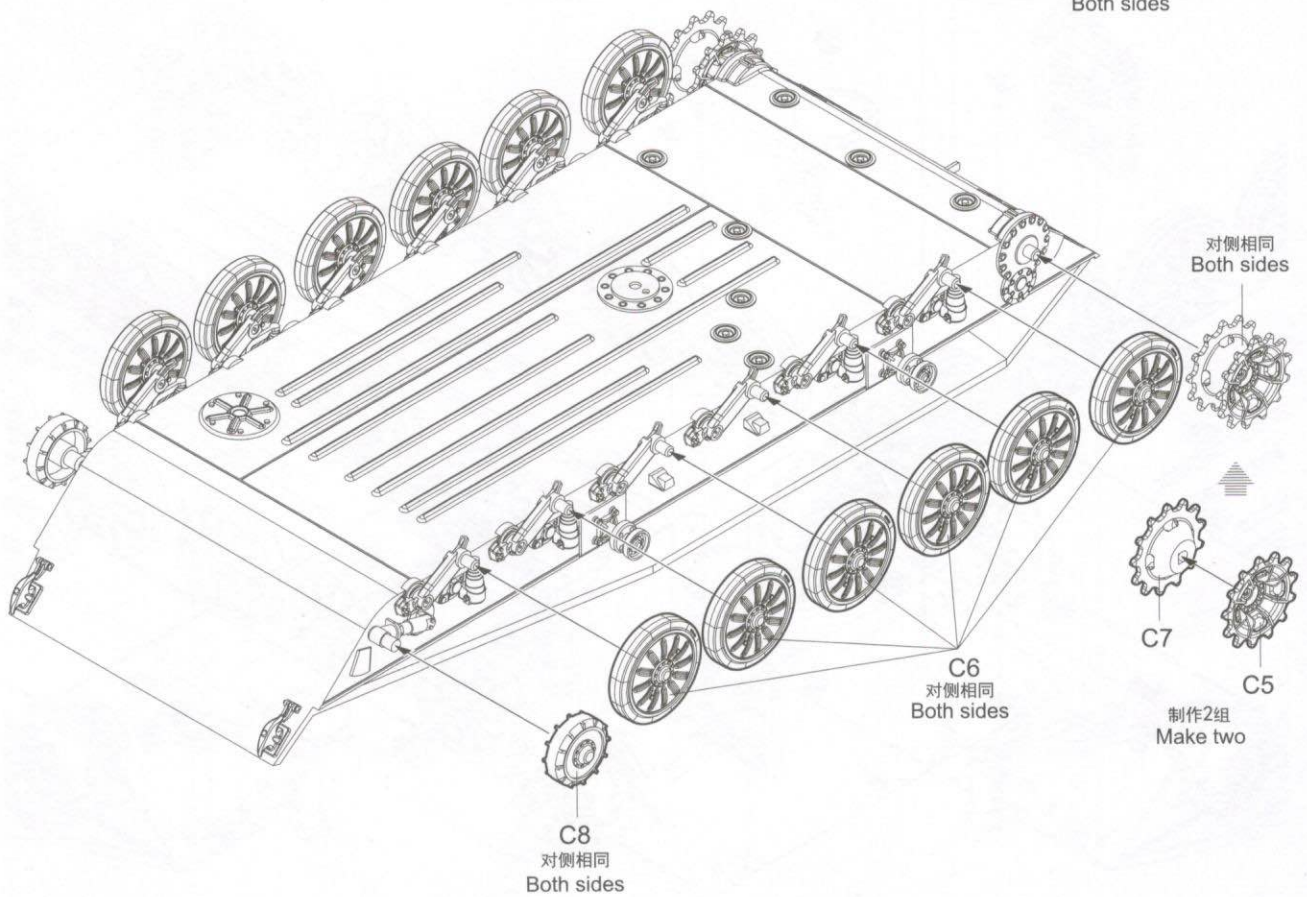


1
制作4组
Make four



C16
对侧相同
Both sides

1
对侧相同
Both sides



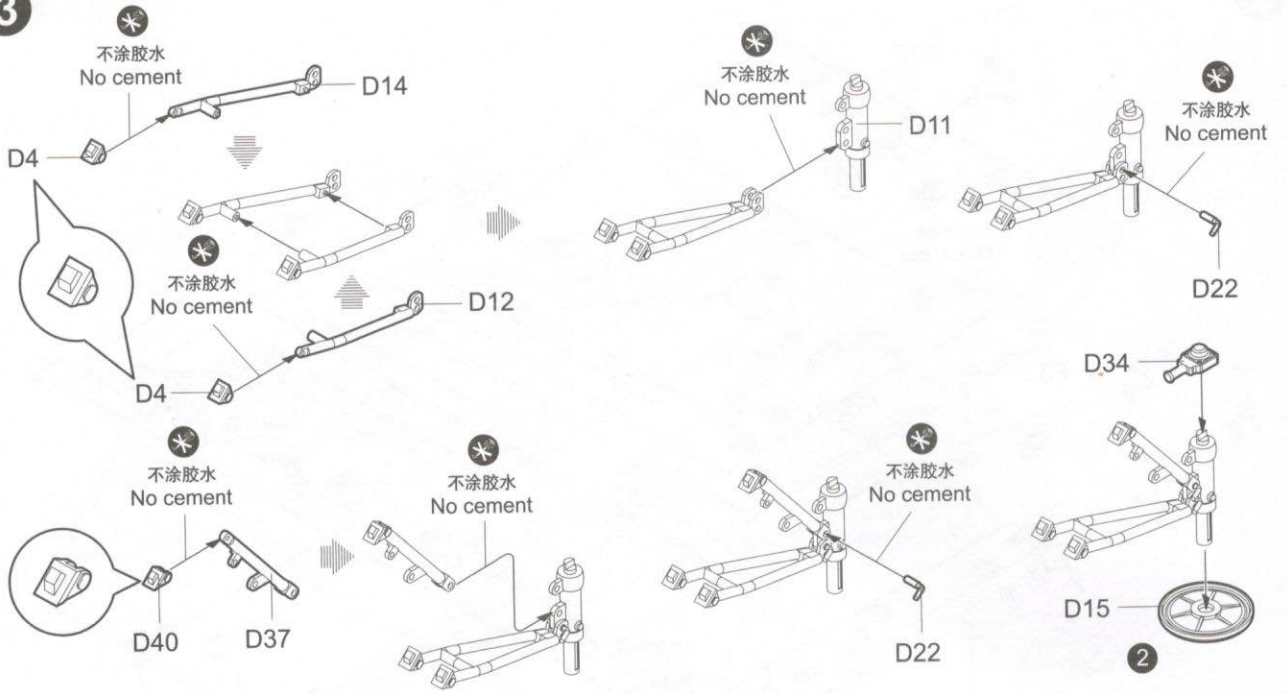
对侧相同
Both sides

C6
对侧相同
Both sides

C7
C5
制作2组
Make two

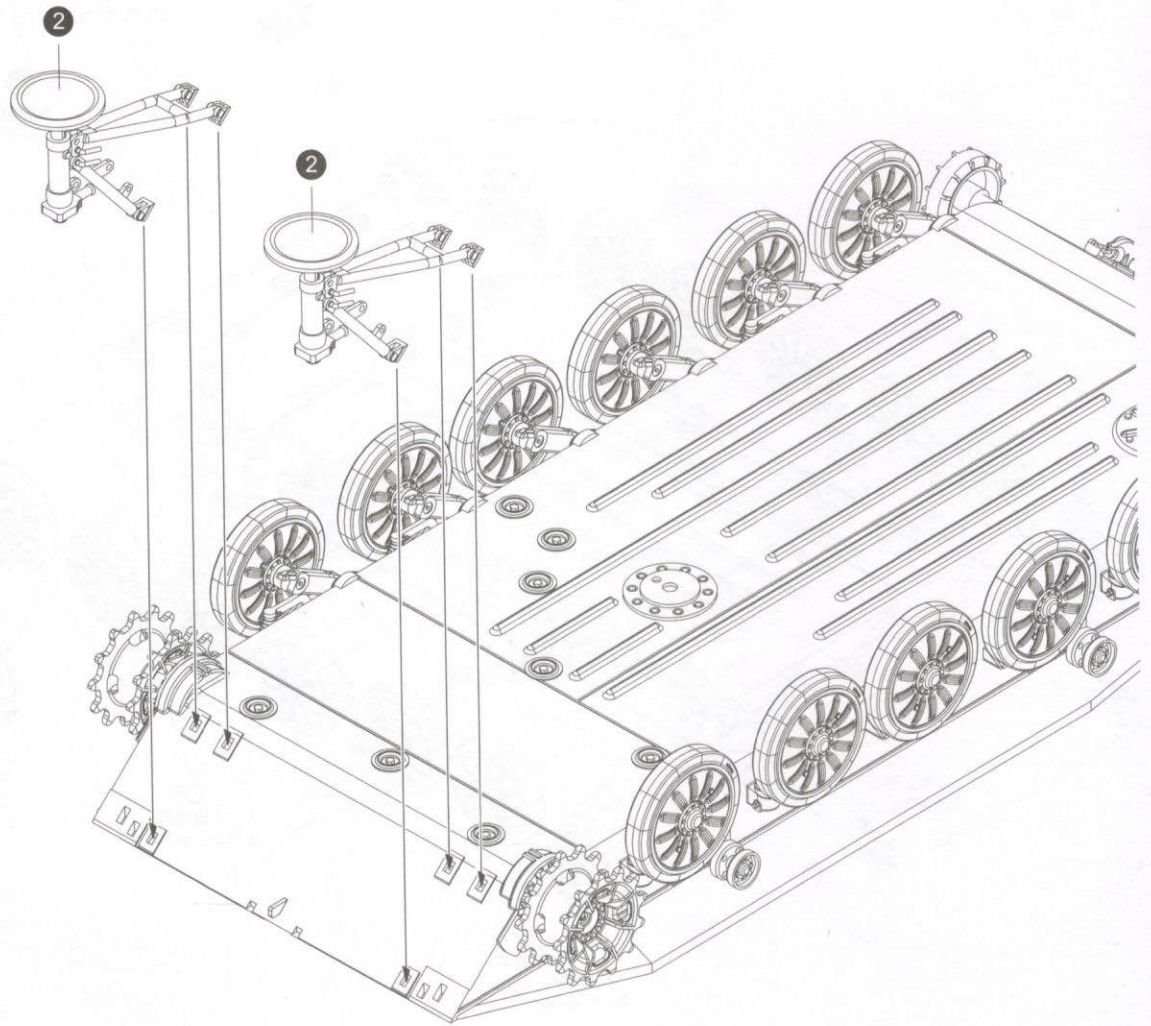
C8
对侧相同
Both sides

3

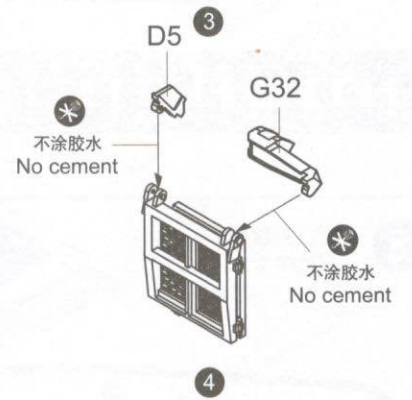
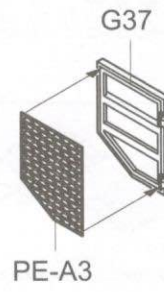
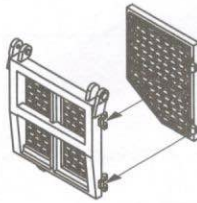
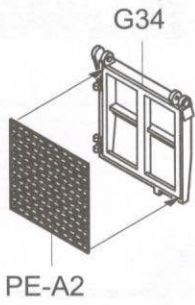
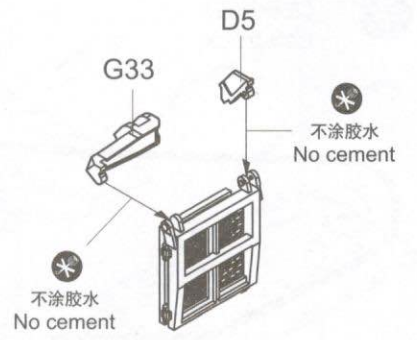
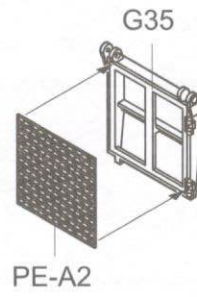
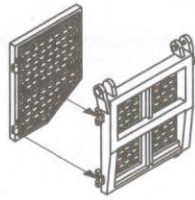
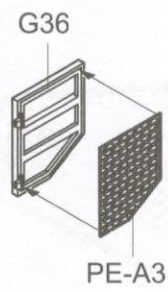


制作2组
Make two

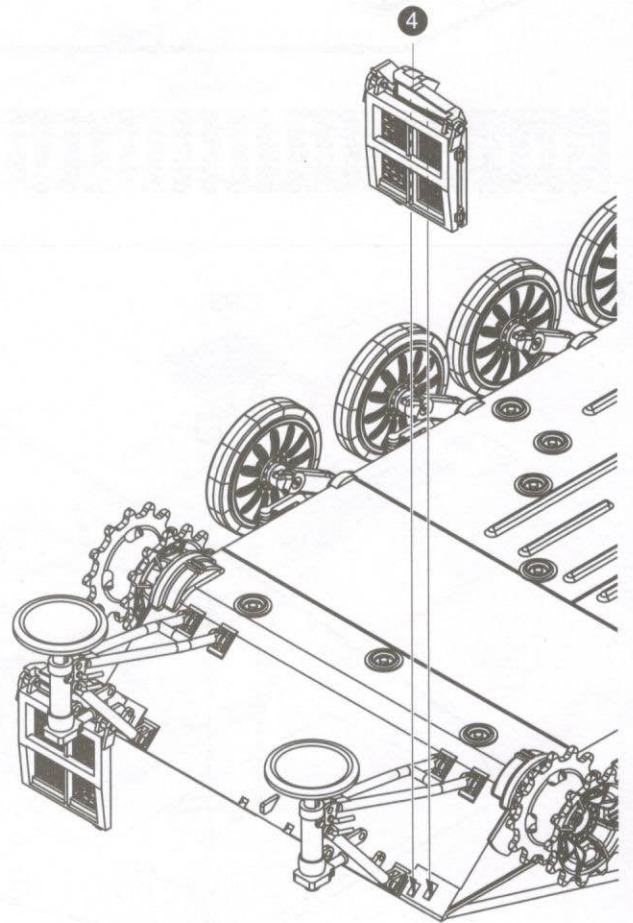
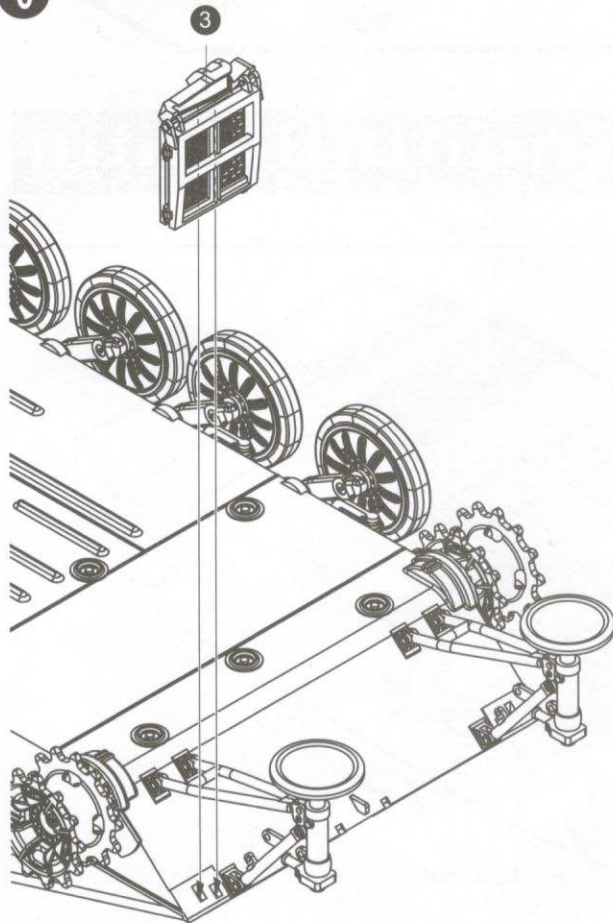
4



5

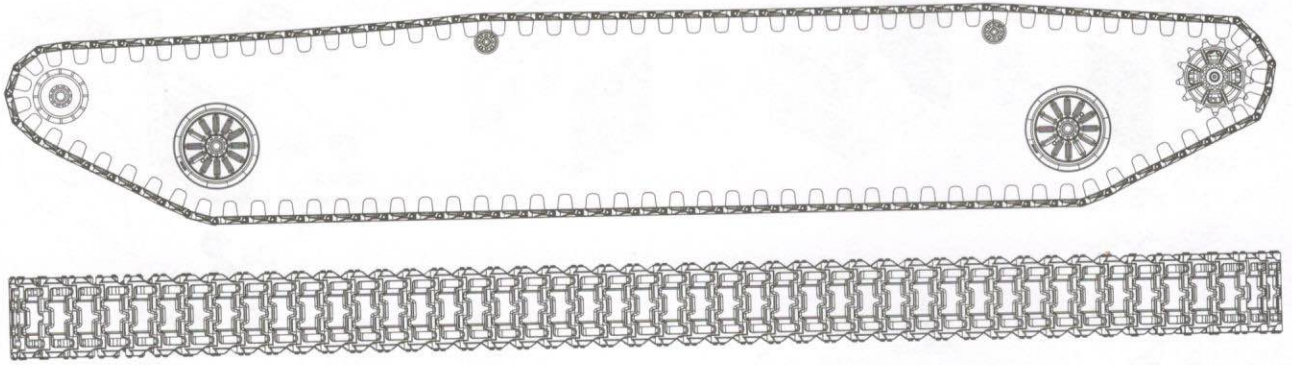
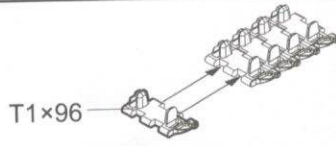


6



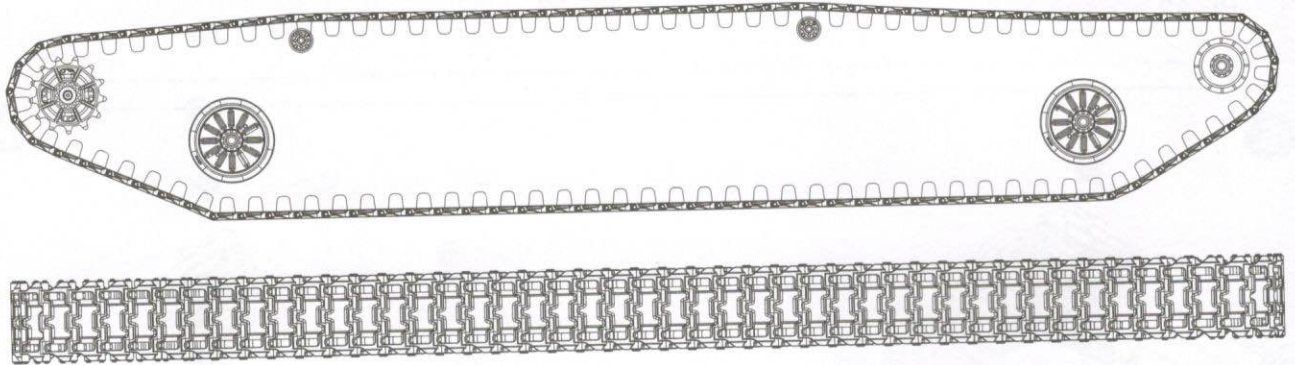
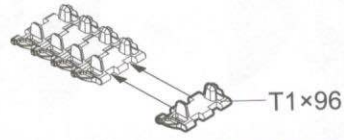
7

《左侧履带》
Left track



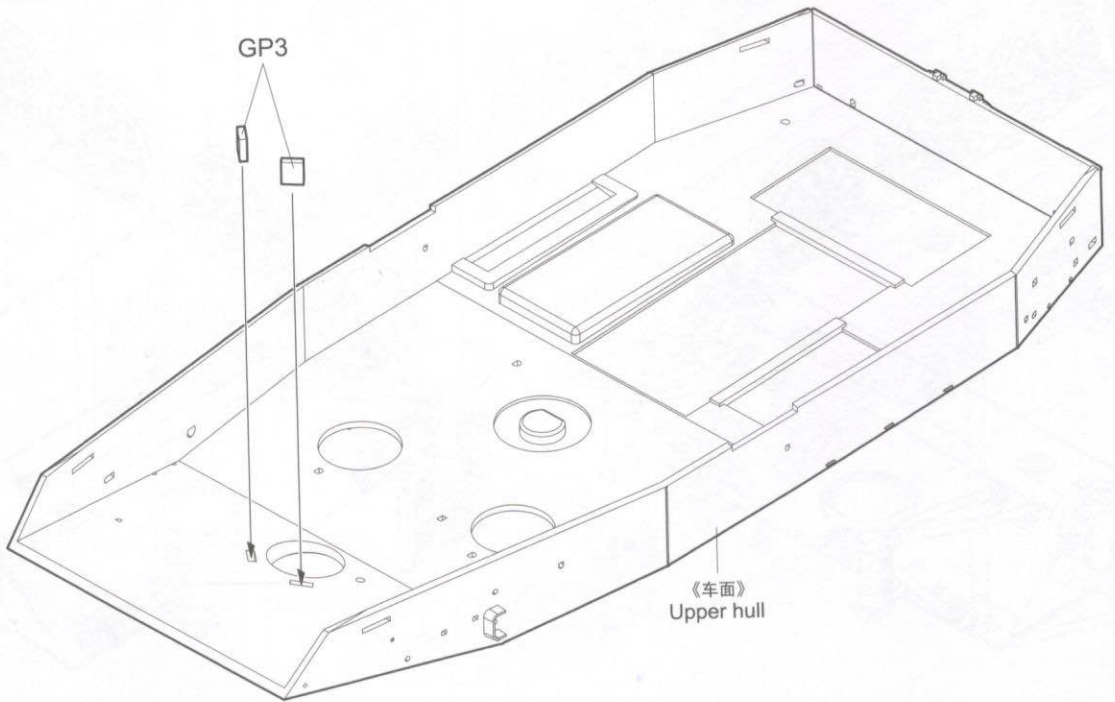
8

《右侧履带》
Right track



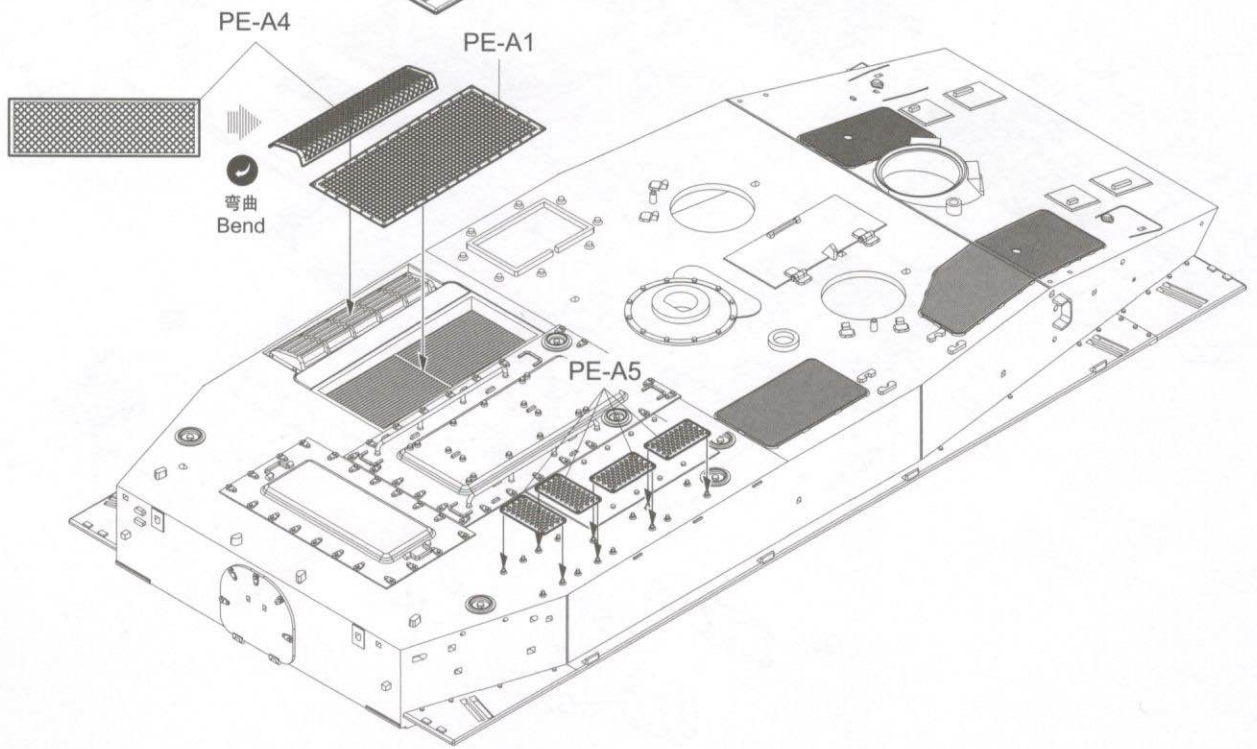
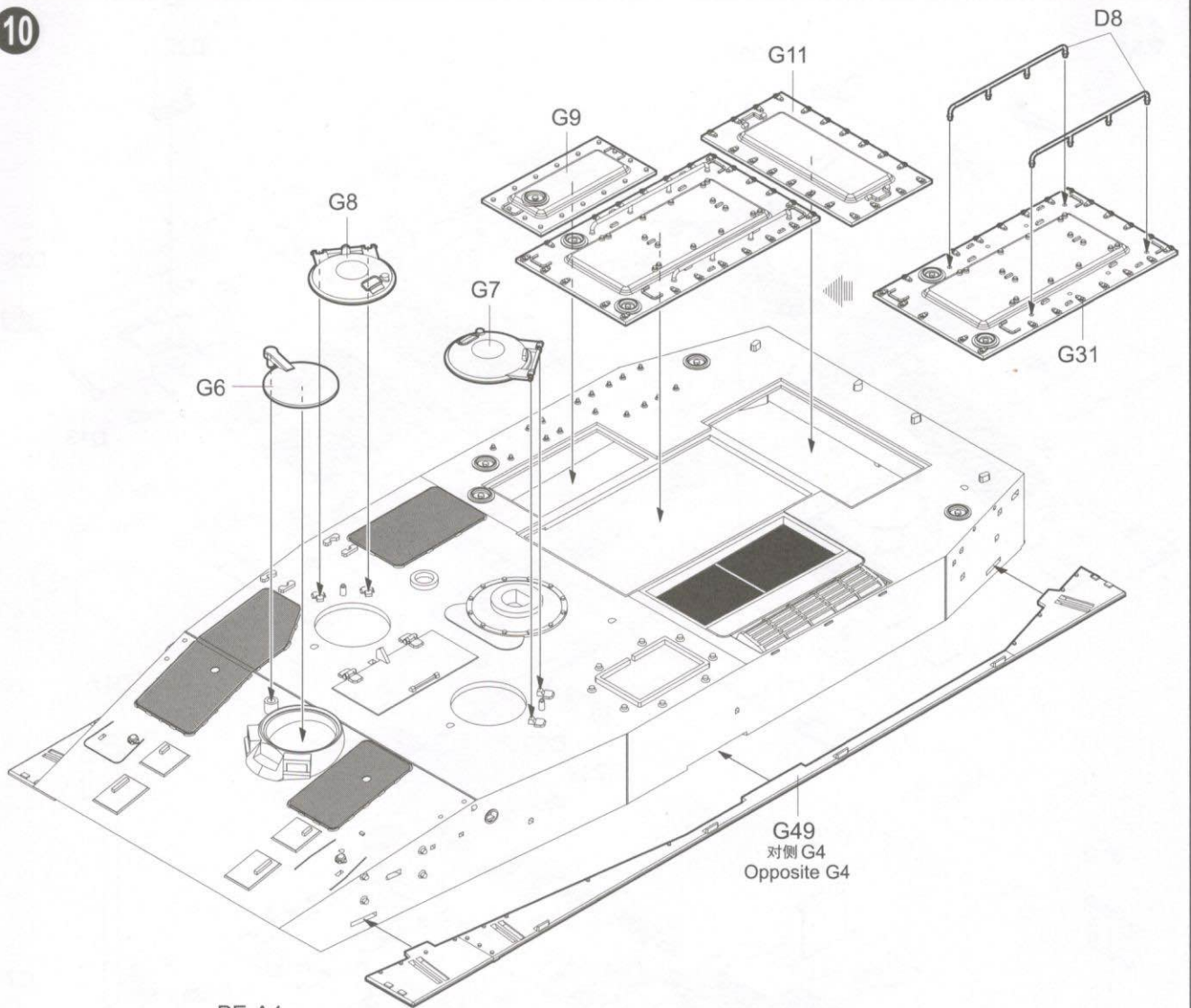
9

GP3



《车面》
Upper hull

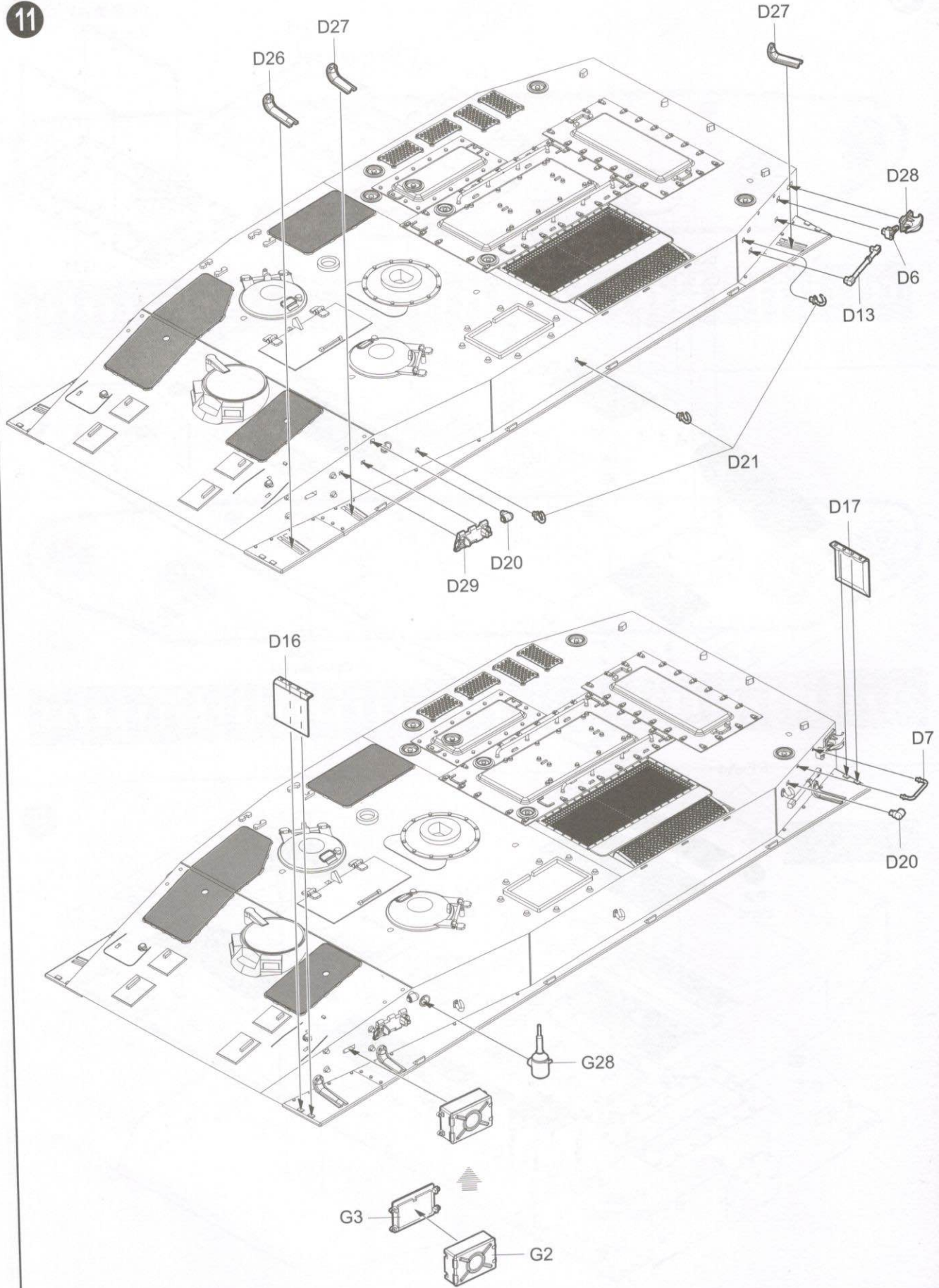
10



09545

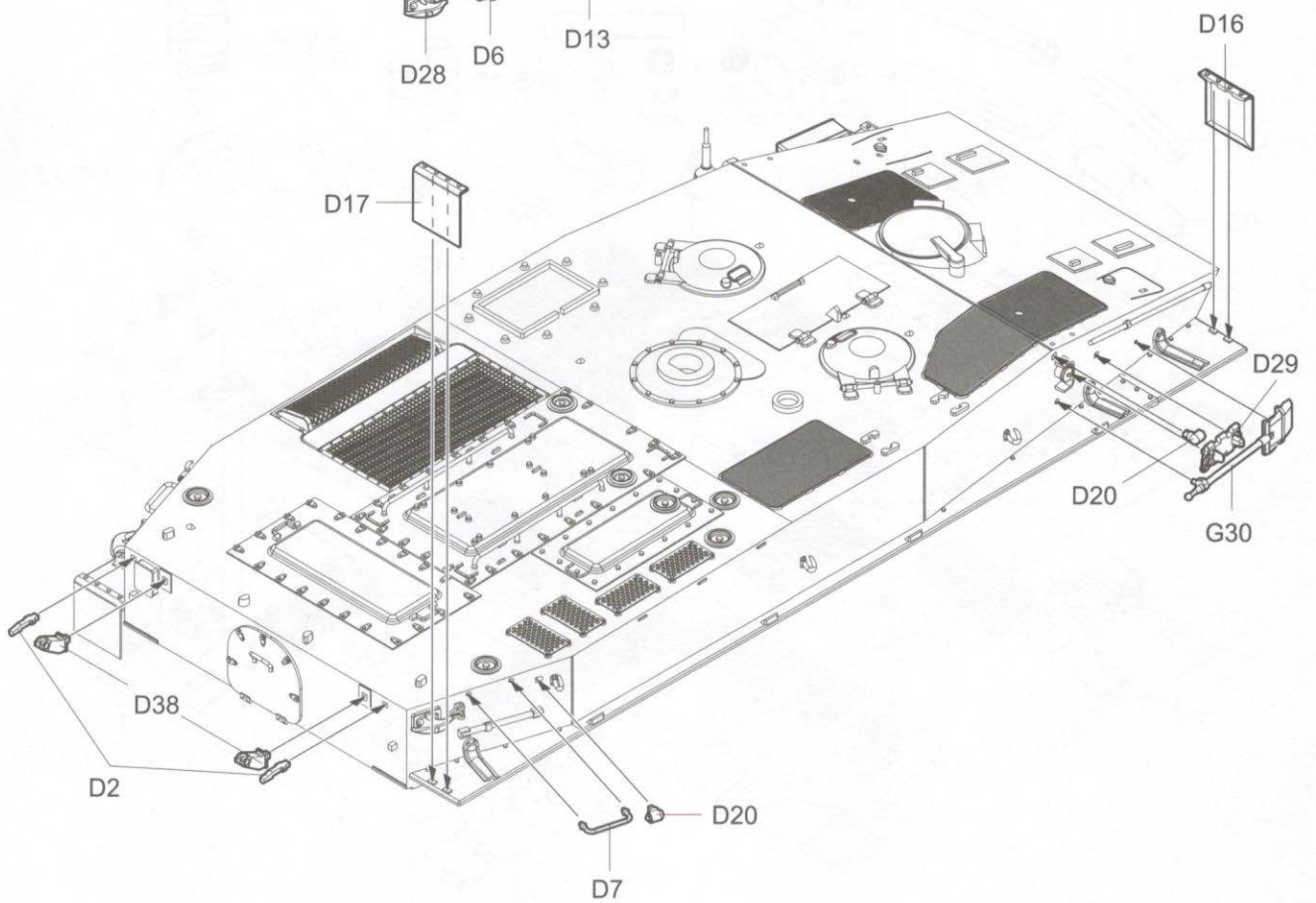
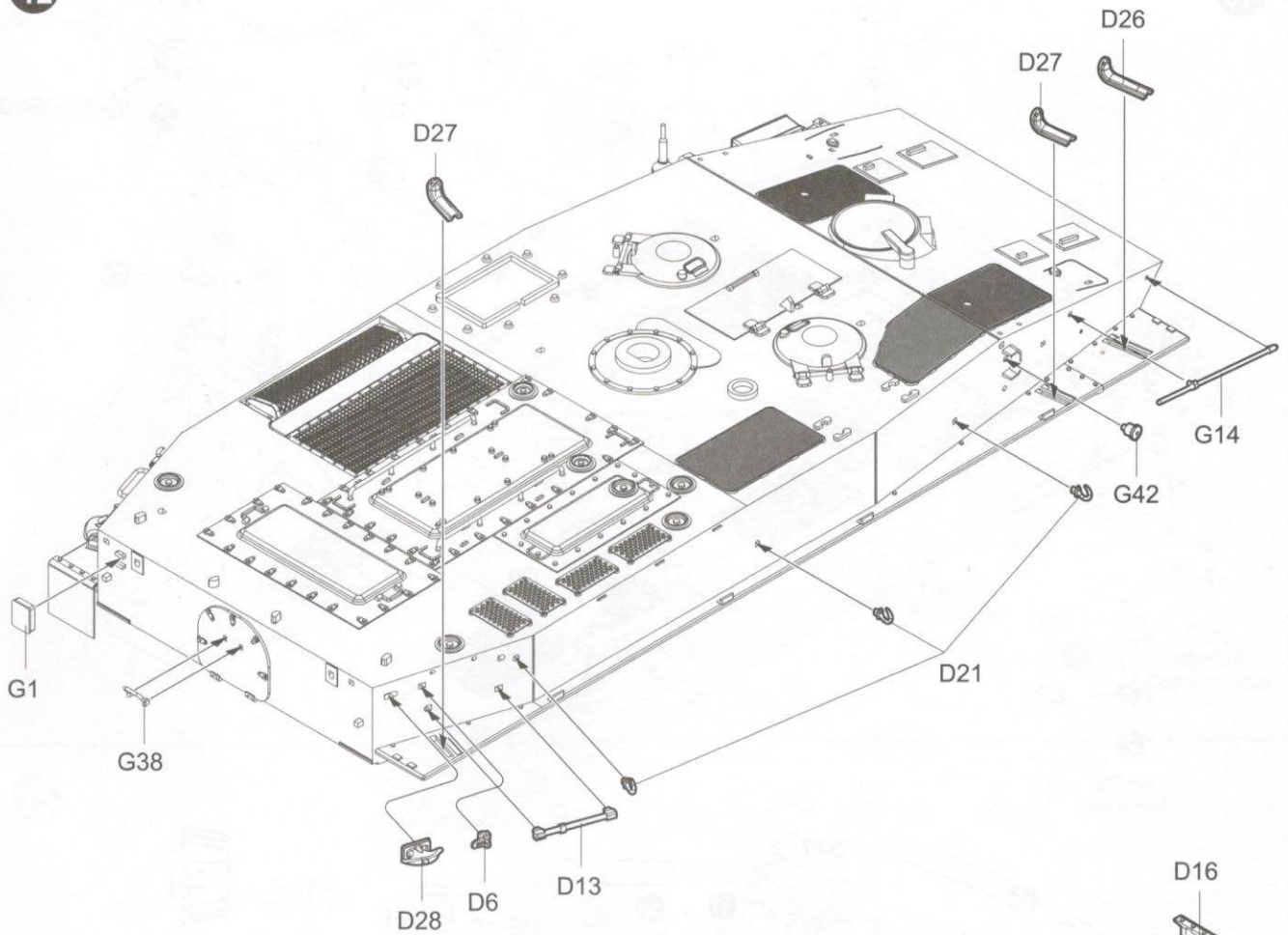
9

11

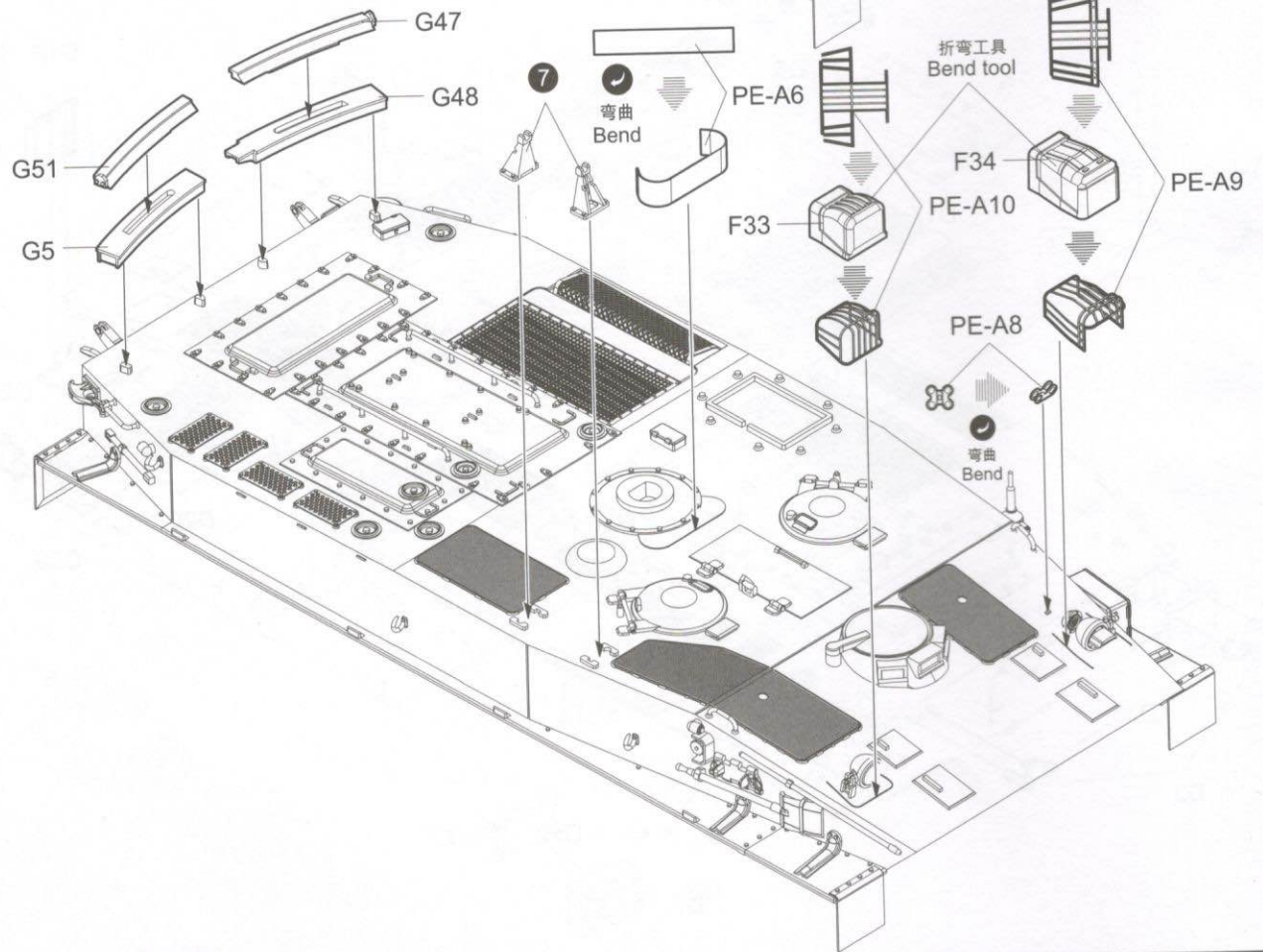
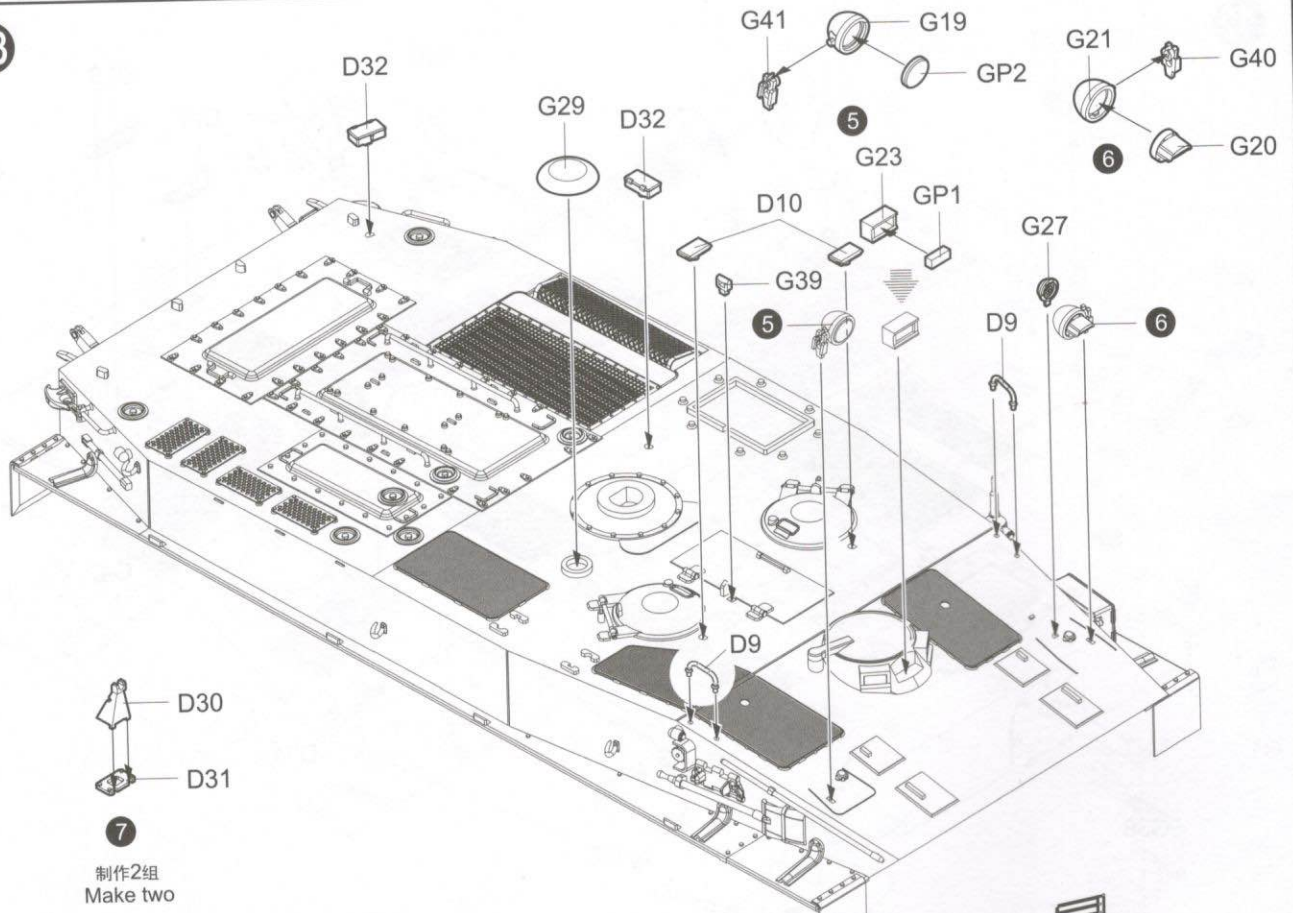


09545

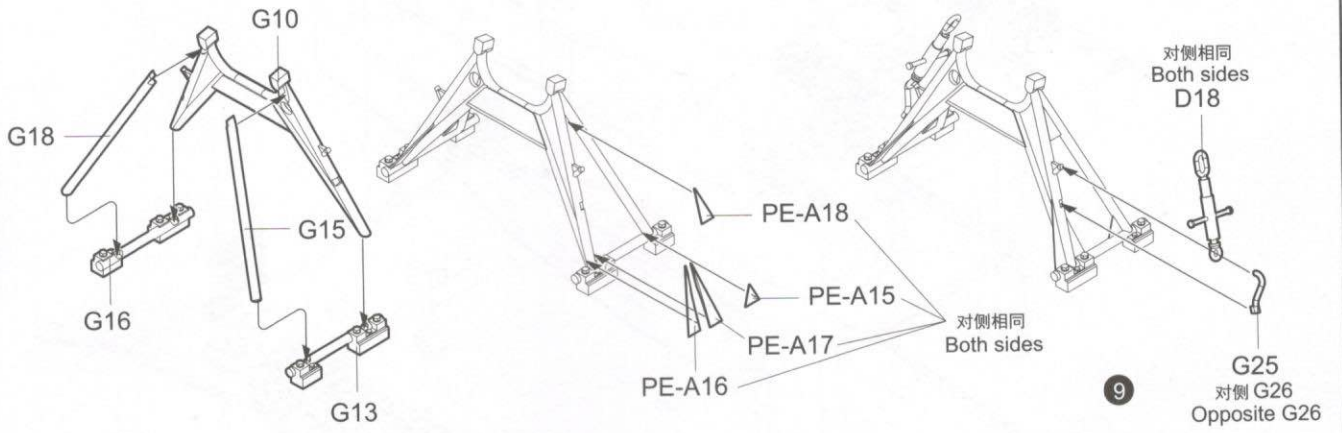
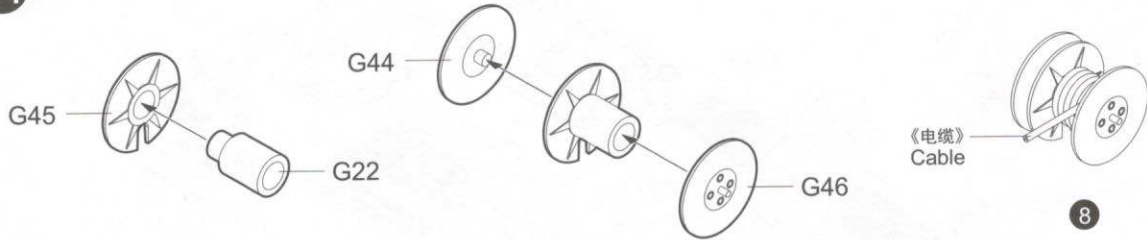
10



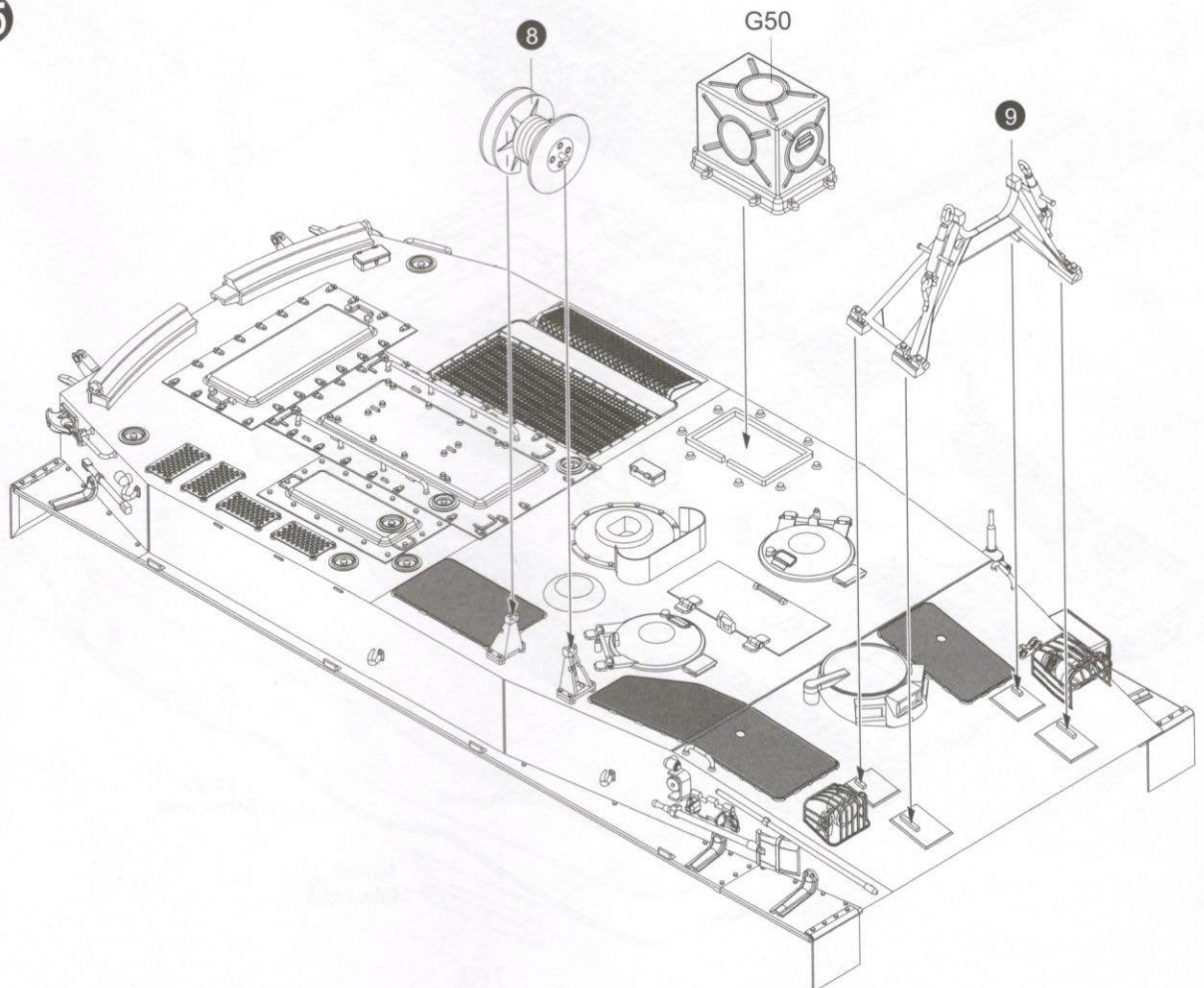
13

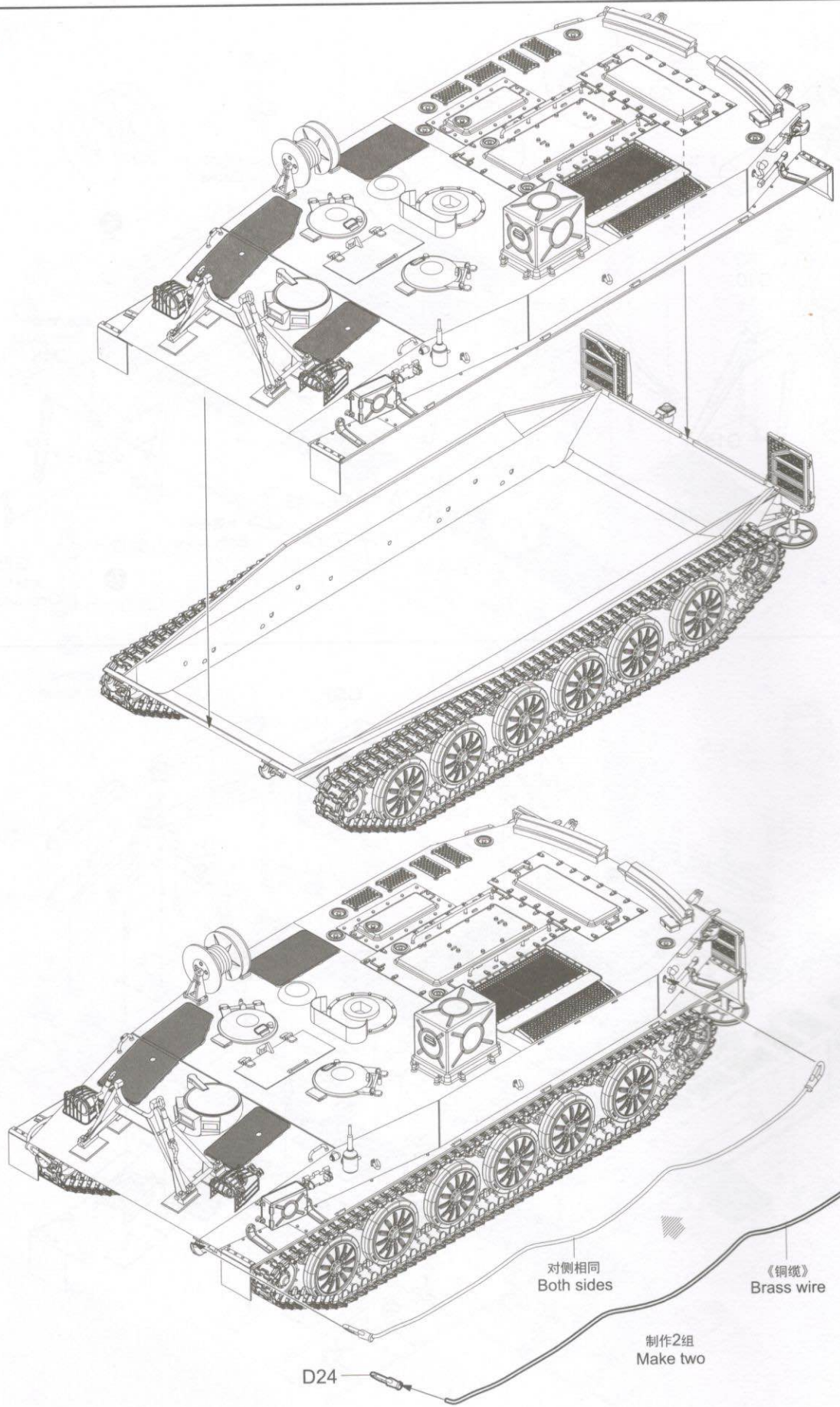


14

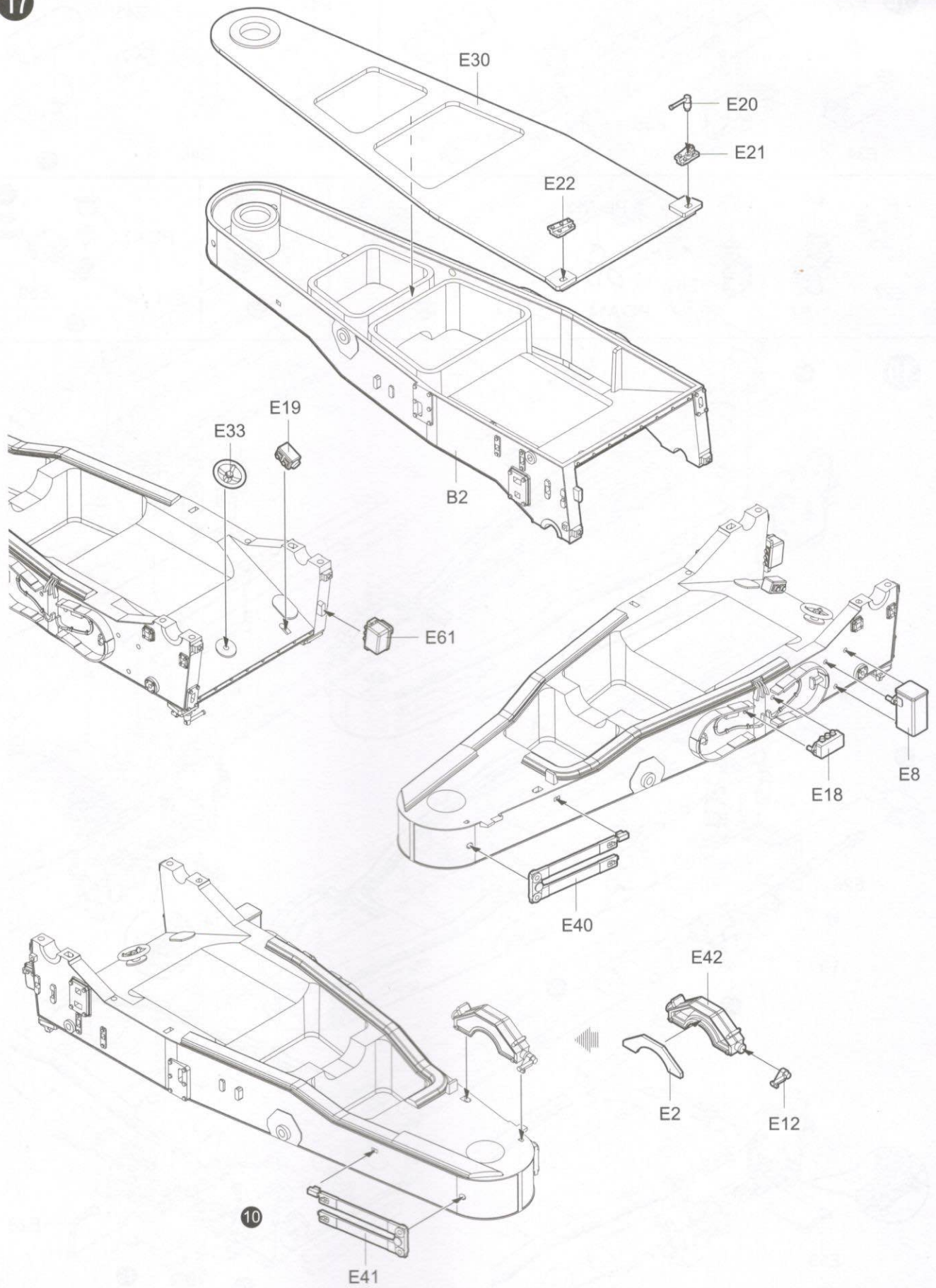


15



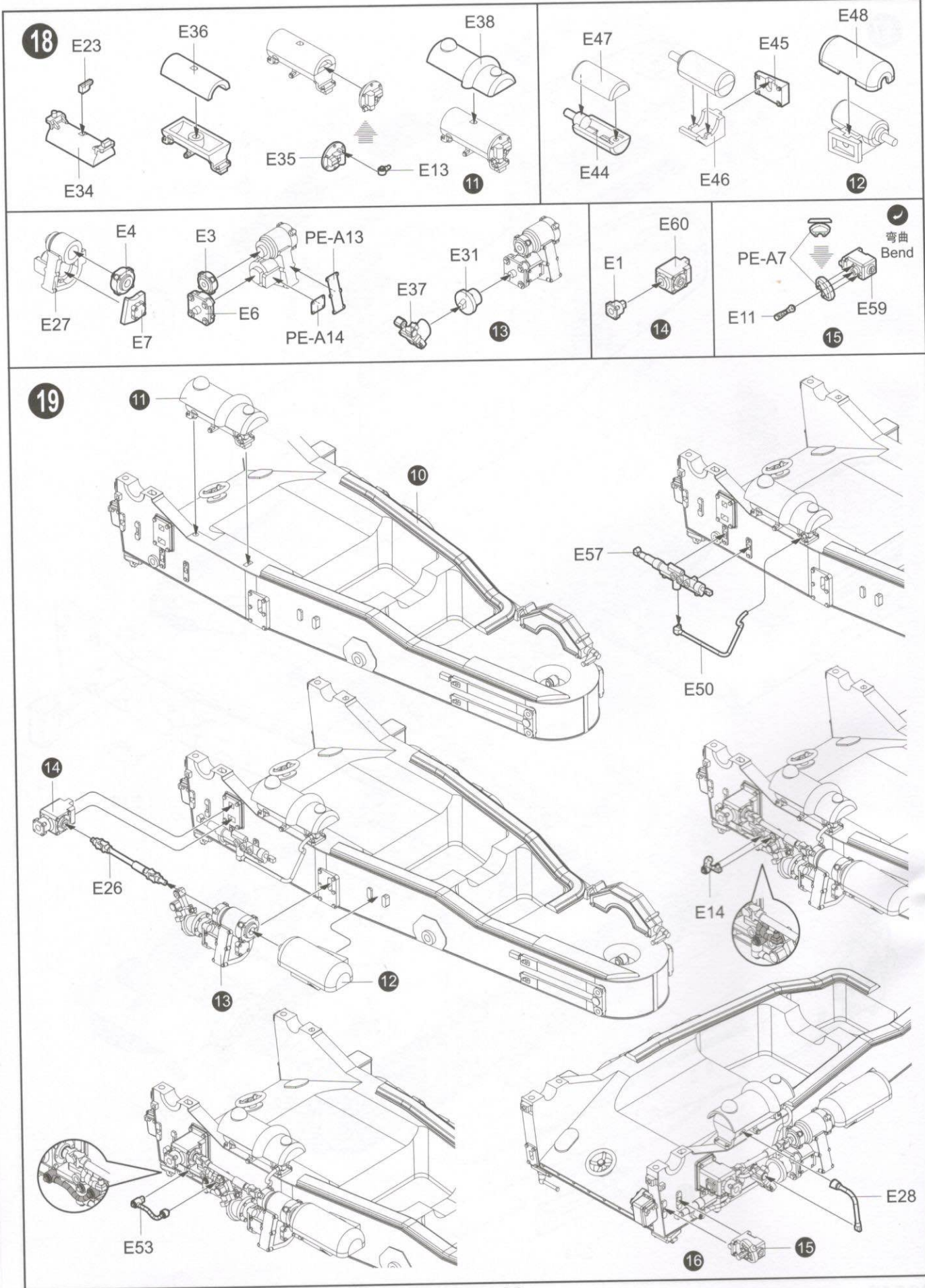


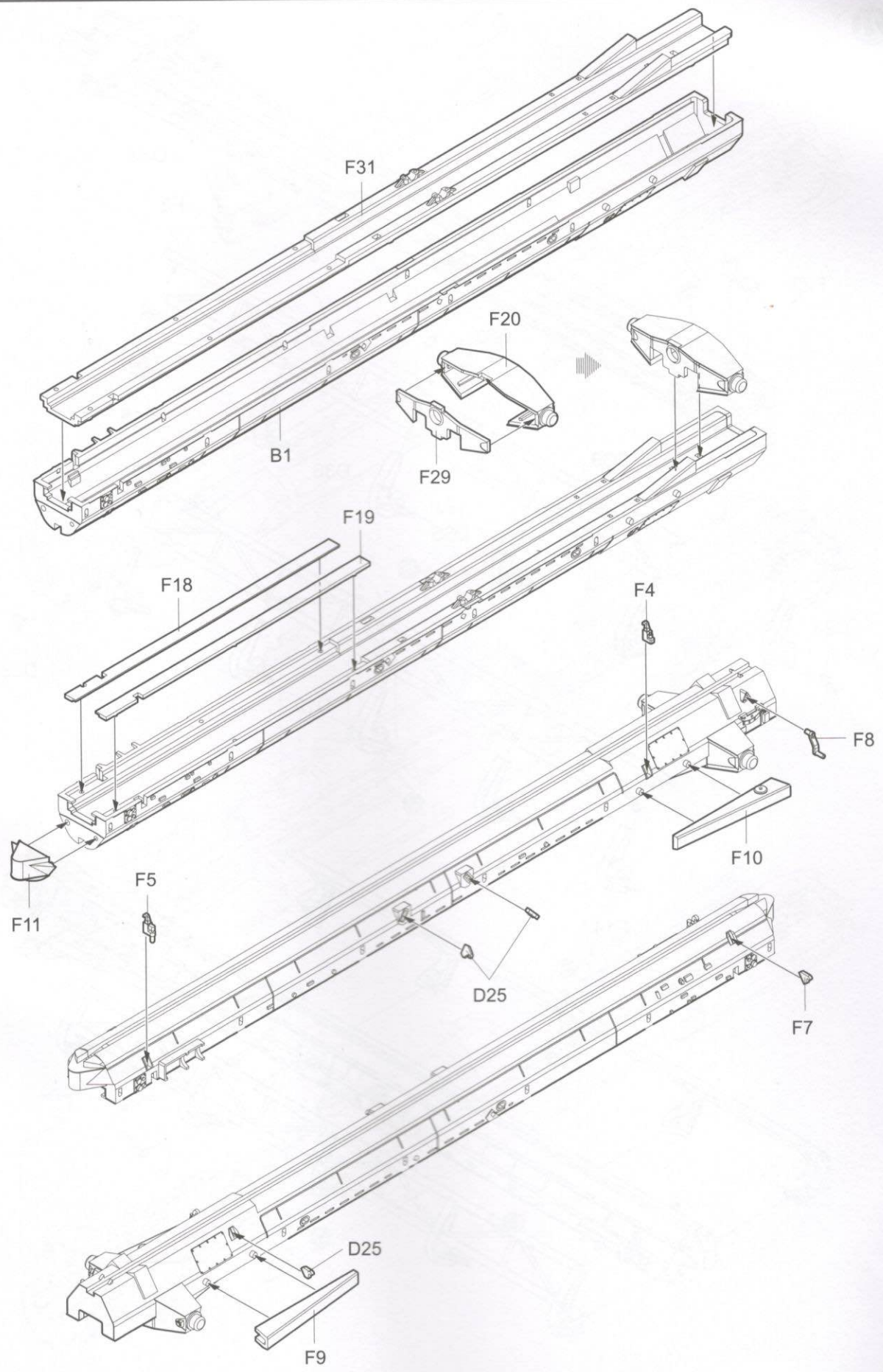
17

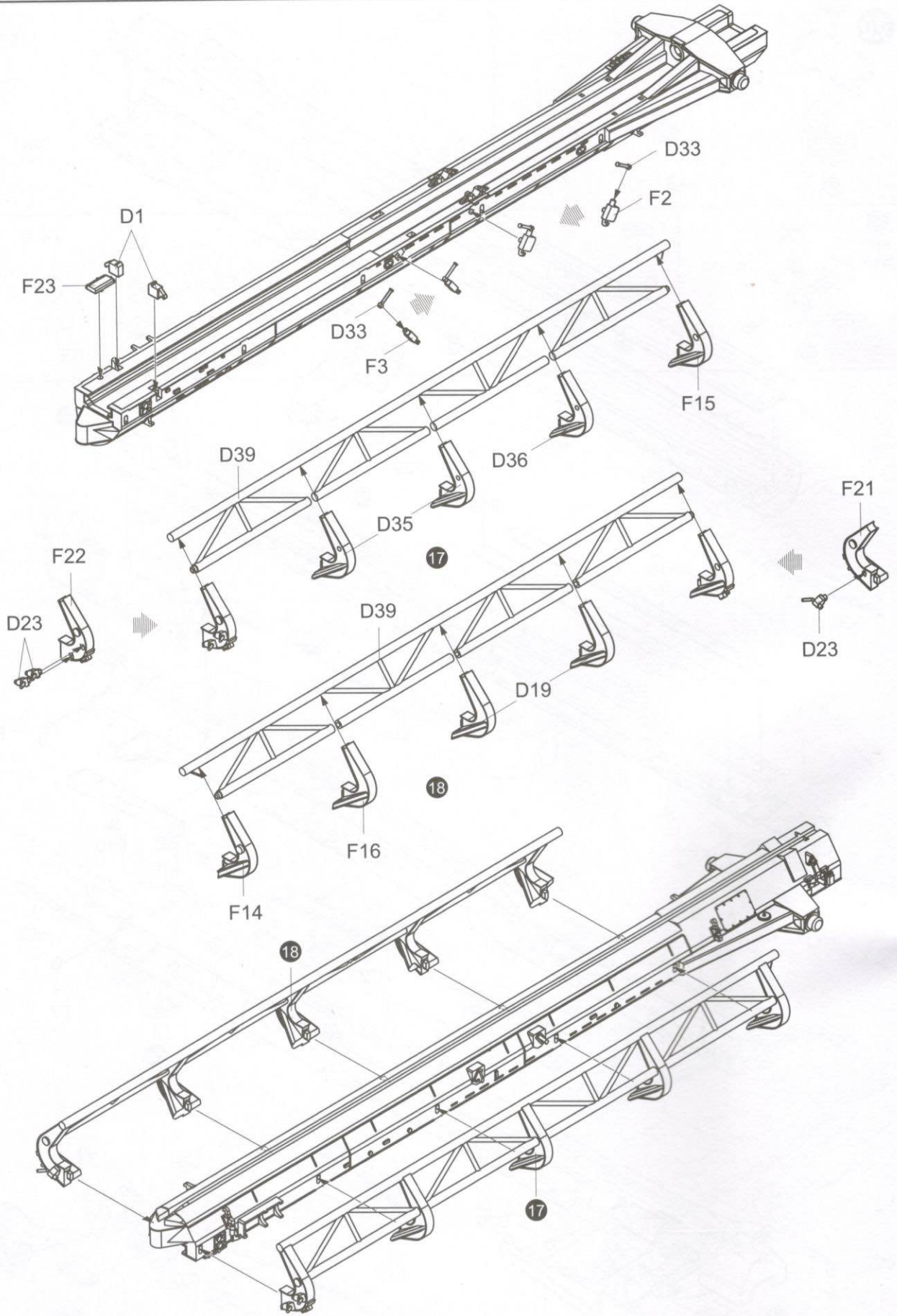


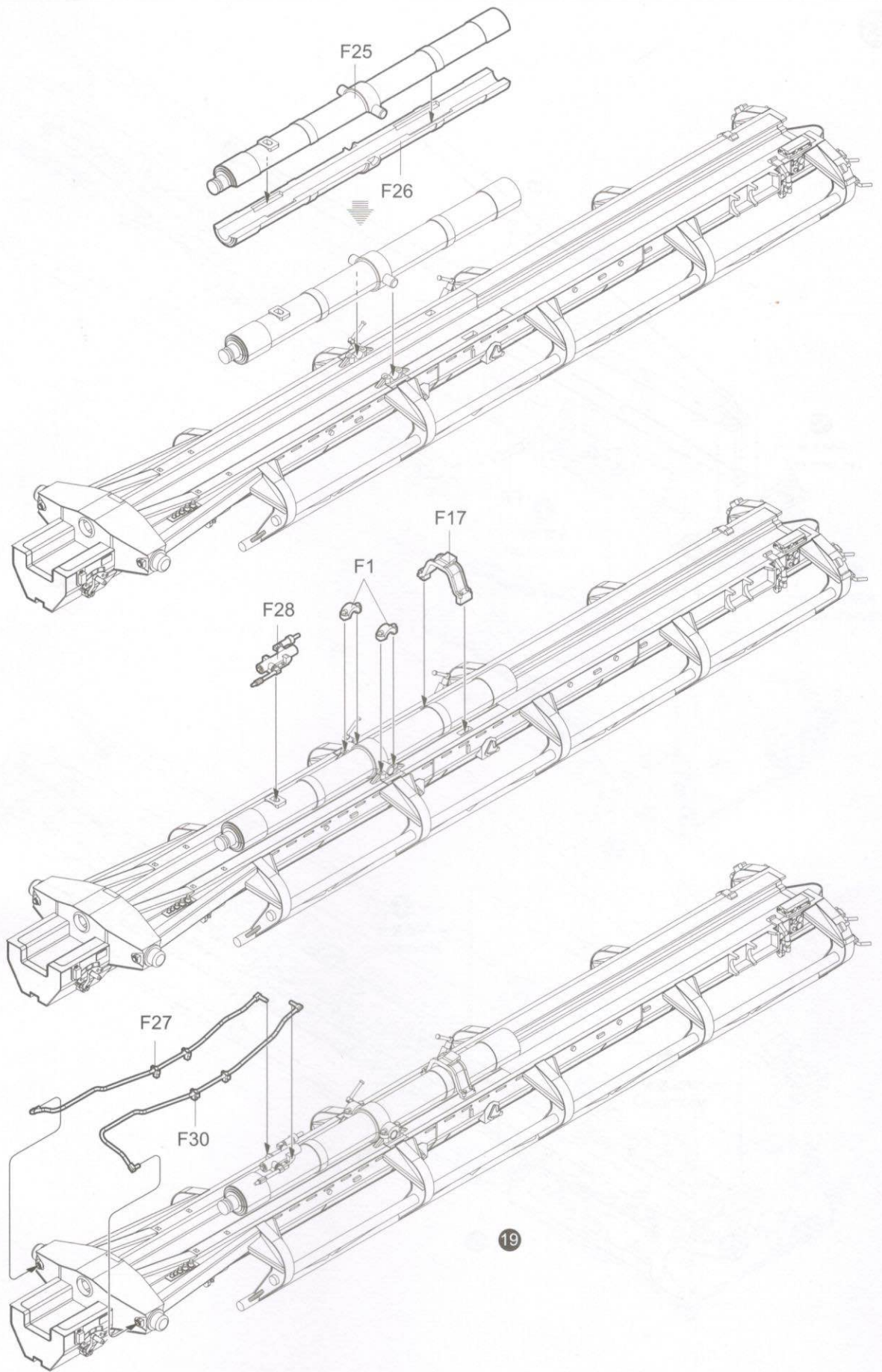
09545

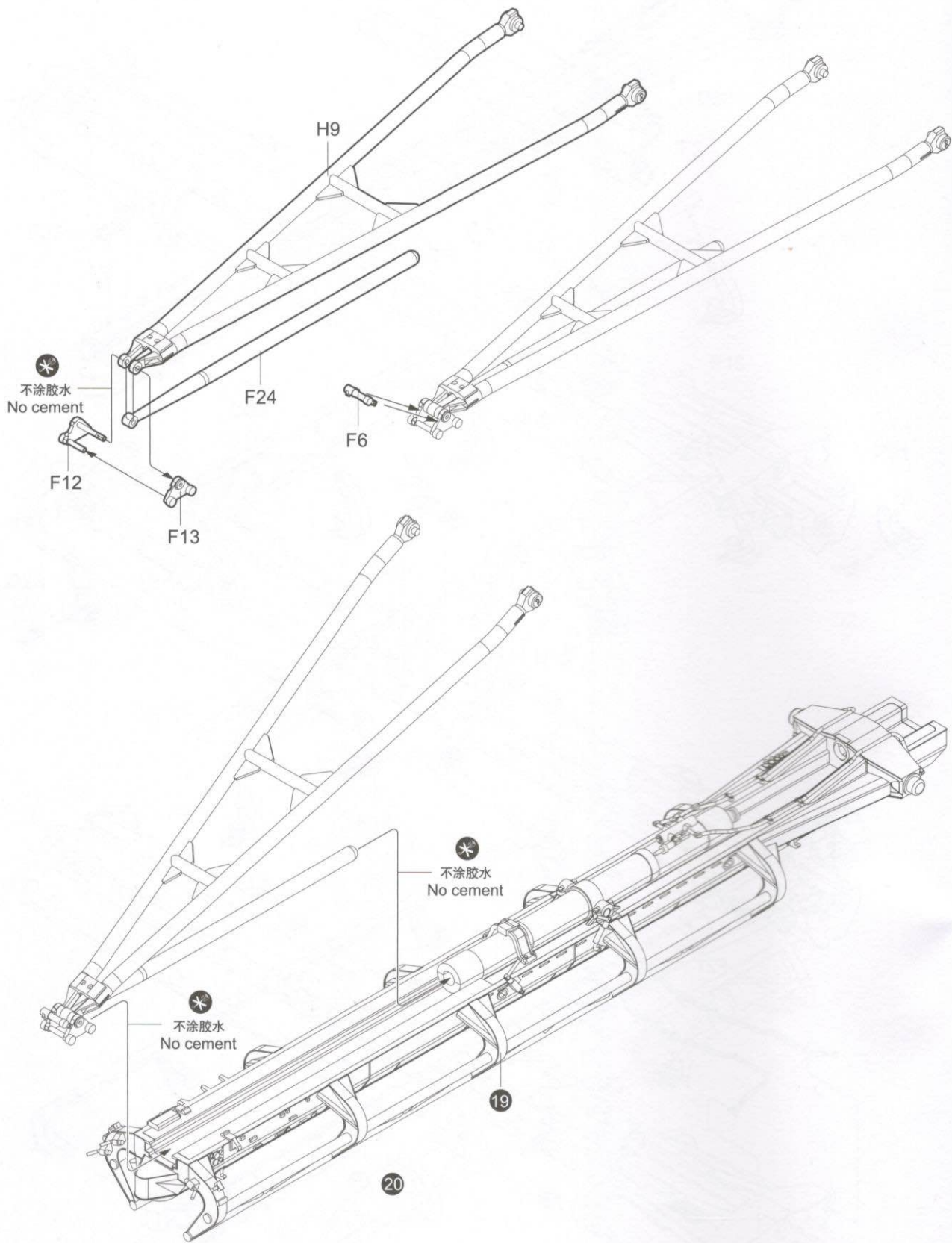
15



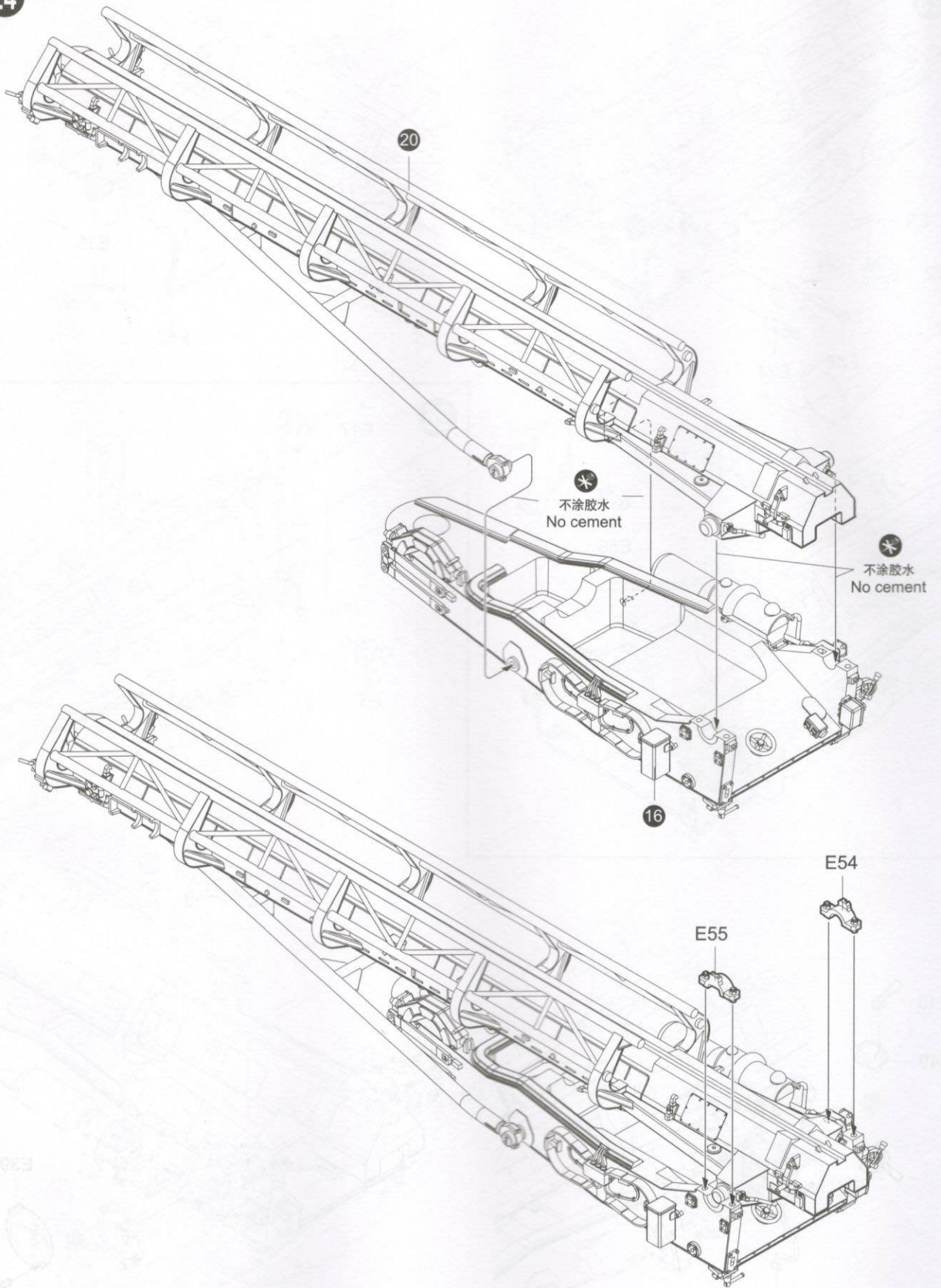




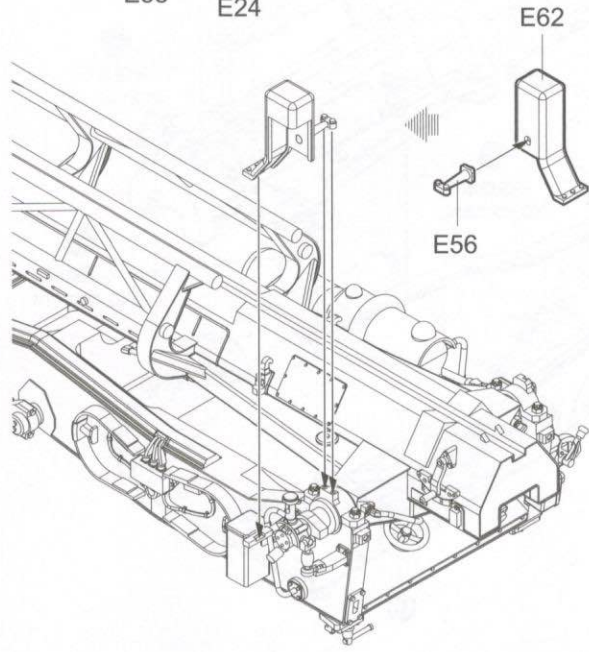
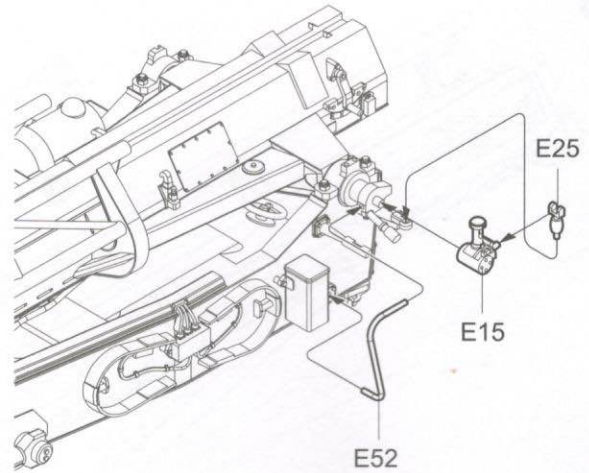
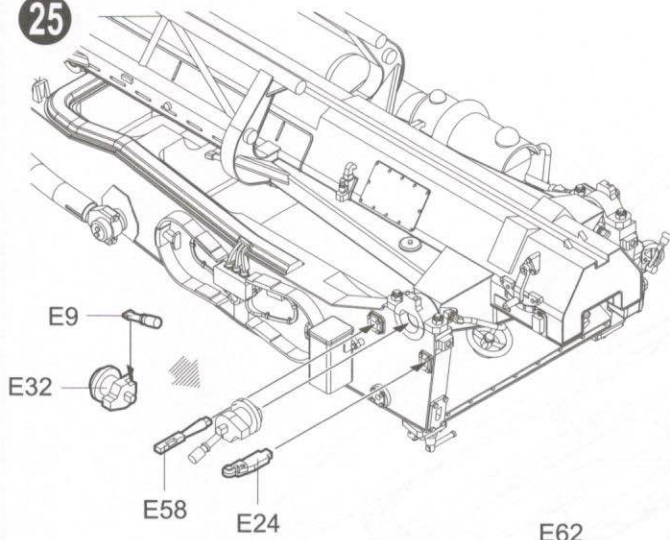




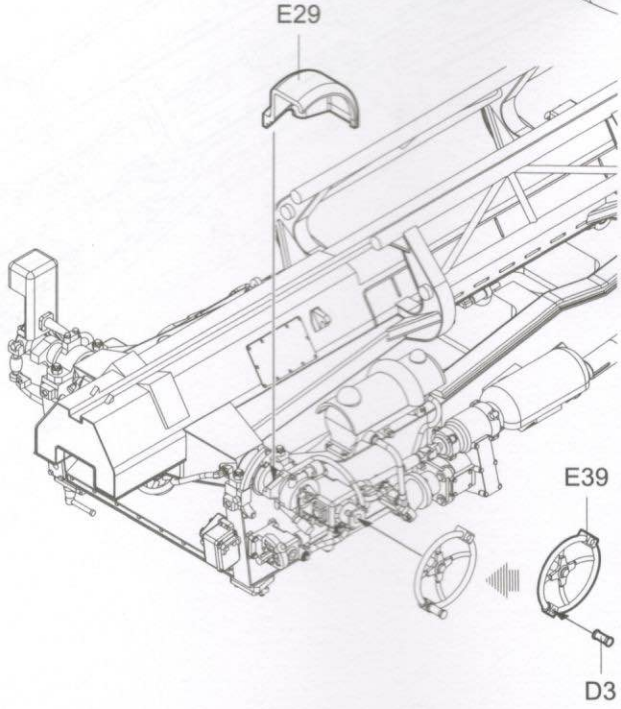
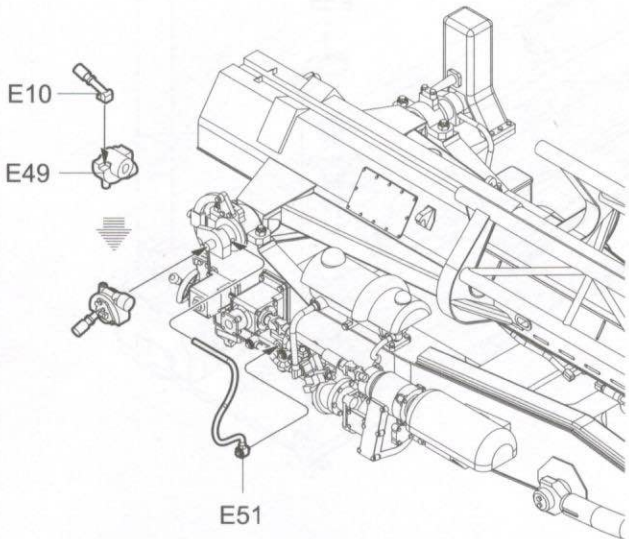
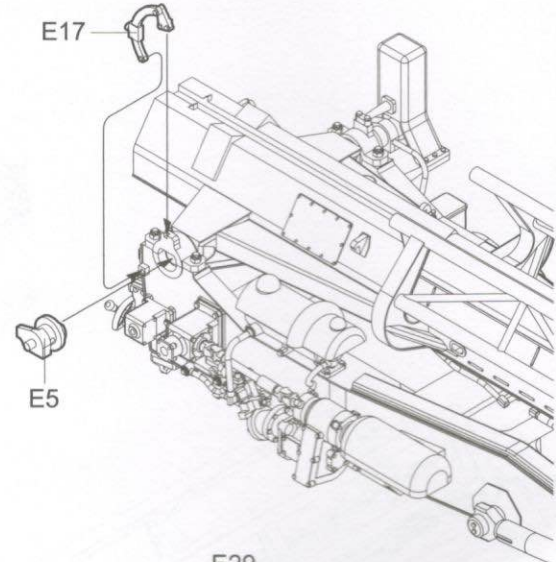
24



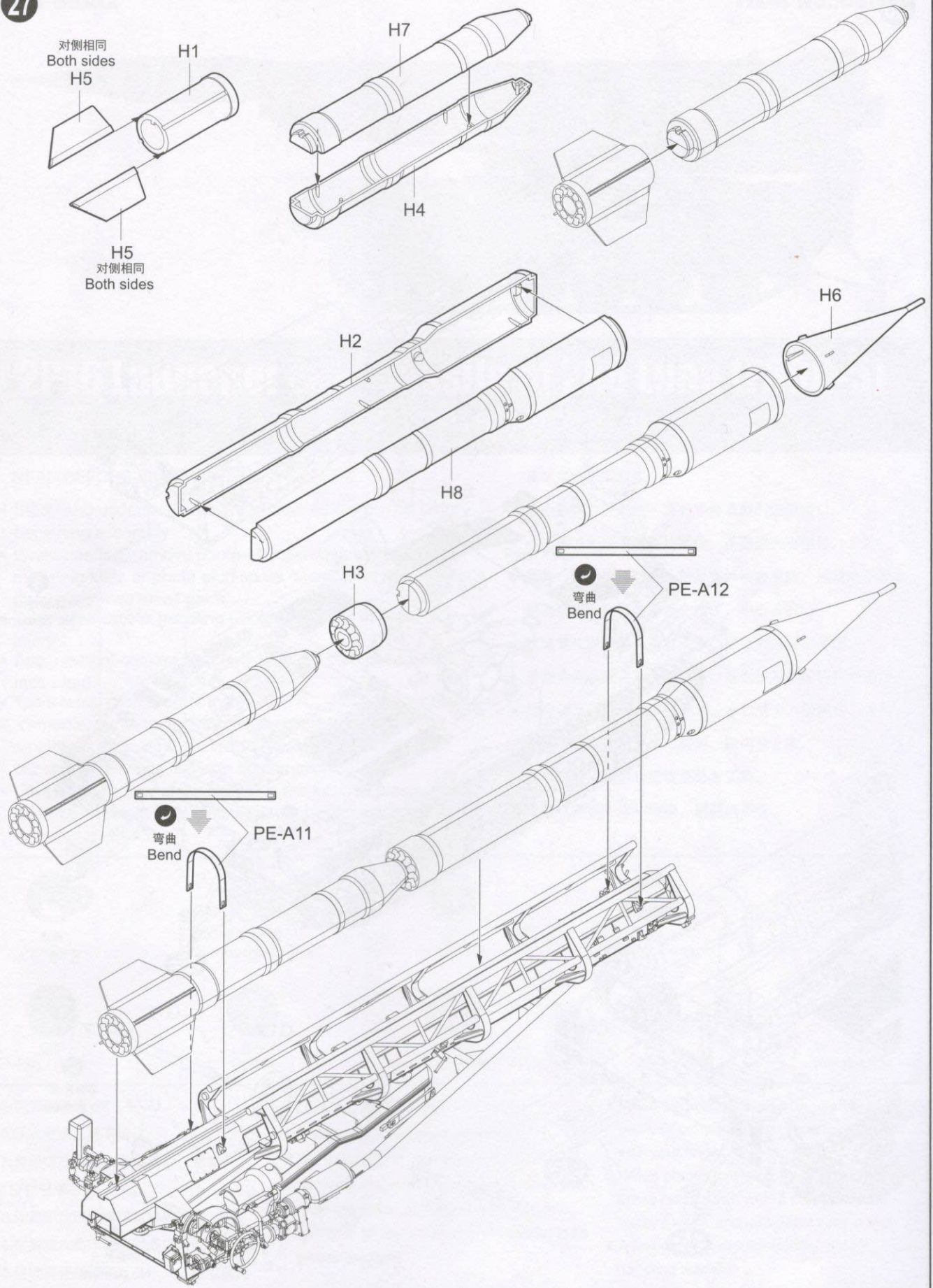
25



26



27



28

