

# 2S19-M2 Self-propelled Howitzer

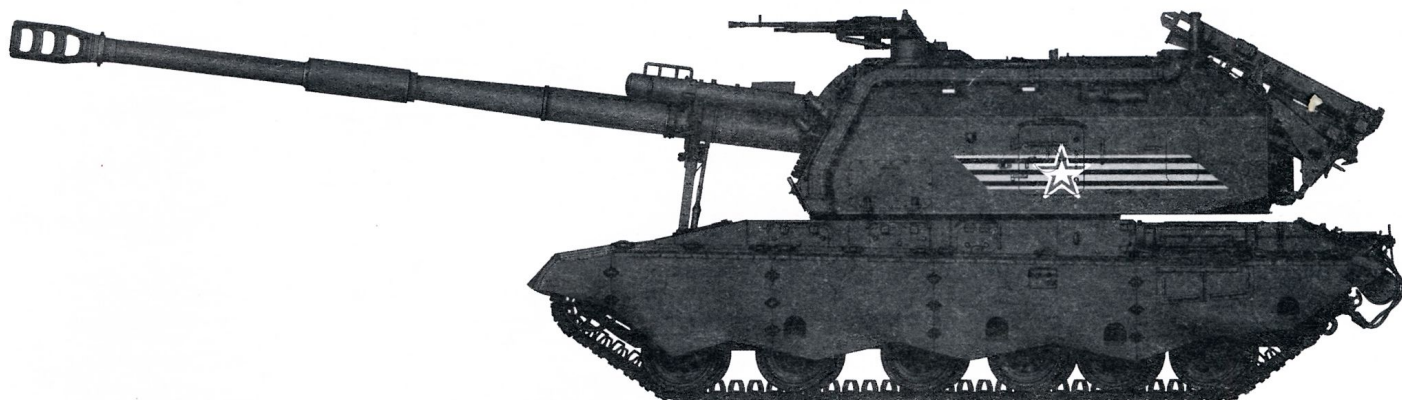
  
TRUMPETER  
1/35 SCALE

Length:339.3mm    Width:103mm    Parts:1000+pcs



Detailed scale kit for adult collectors to assemble.  
Actual model may vary from image on box.  
WARNING! Not for children under 3 years due to small parts.  
警告! 内含小零件, 严禁3岁以下儿童使用。本产品与包装图形所示略有不同!

2S19-M2自行榴弹炮



# 2S19-M2 Self-propelled Howitzer

## 2S19-M2自行榴弹炮

READ BEFORE ASSEMBLY:

装配之前仔细阅读

- Study and understand these instructions thoroughly before beginning assembly
  - When needed, remove photo-etch parts carefully using a modeling knife or photo etch sprue cutter, being careful not to damage or lose small parts.
  - Take extra care in handling photo etch parts in order to avoid injury
  - Apply instant cement sparingly to photo etch parts where instructed
  - Tools recommended(not included in kit):Plastic and instant cements, sprue cutters,long nose pliers,modeling knife, small files, tweezers, pin vise & scissors. Soft cloth and sandpaper will also assist in construction
  - Glue and paint are not included in the kit. Use plastic cement and hobby paints only. Color guide for purchasing paint is included in the kit.
- 小心用模型锉刀锉平所有零件表面的注射浇口。
  - 小心用刀片切下蚀刻片零件，不要遗失小零件。
  - 用强力快干胶水粘合蚀刻片零件和金属轴。过量快干胶水使用可能导致可动零件会粘住，小心涂胶。
  - 取蚀刻片时应特别注意安全，防止利边划伤手指。
  - 某些零件表面需贴上水贴纸，请选择在装配的同时进行。
  - 推荐模型工具(自备)：胶水，水口剪刀，长咀钳，刀片，锉刀，镊子，钳，钻，剪刀，瞬间快干胶。
  - 软布同砂纸同时也应该是必备工具。
  - 请使用塑料胶水和油漆，模型内不含。



配重  
Weight



使用强力胶  
Cyanoacrylate glue



钻孔  
Make hole



切除  
Cut / Remove



贴纸  
Decal



锉平  
File / Sand



选择  
Option



不涂胶水  
No cement



弯曲  
Bend



先装  
Install it first

水贴纸的使用:

- 1.从水贴上剪下印花;
- 2.将印花放入温水中浸10秒，然后放在干净布上。
- 3.拿着印花纸板将印花移到模型上;
- 4.手指蘸水将印花移到适当的位置;
- 5.用软布轻压印花直至水干，气泡消失

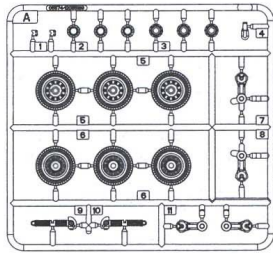
DECAL APPLICATION

- 1.Cut decals from sheet as needed
- 2.Dip the decal in warm water for about 10 seconds and then place on soft clean cloth.
- 3.Hold the decal backing sheet edge and gently slide the decal onto the model in its proper position.

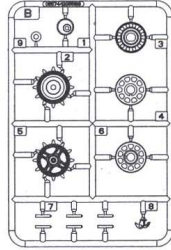
- 4.While still wet,decal can be adjusted for better fit on model by dampening it gently with your finger.
- 5.When placed in the proper position,gently press decal down with a soft cloth until excess water and air bubbles are gone.
- 6.Allow decal to dry completely before handling model

Parts

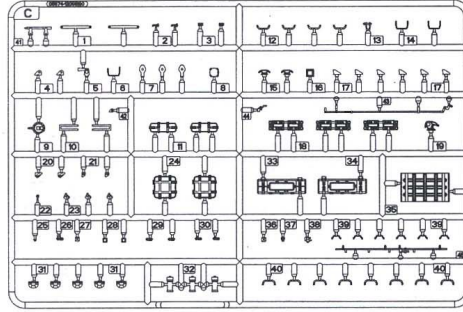
Ax4



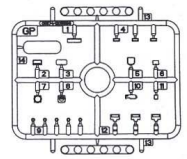
Bx2



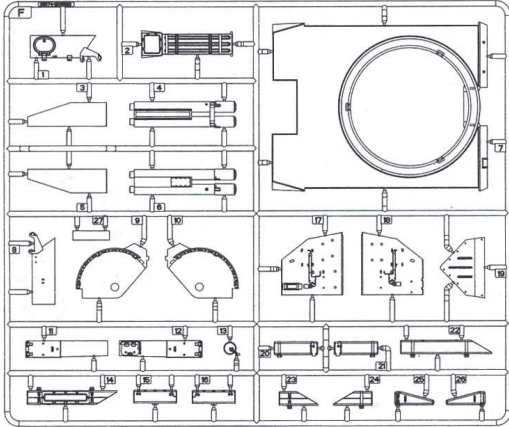
Cx2



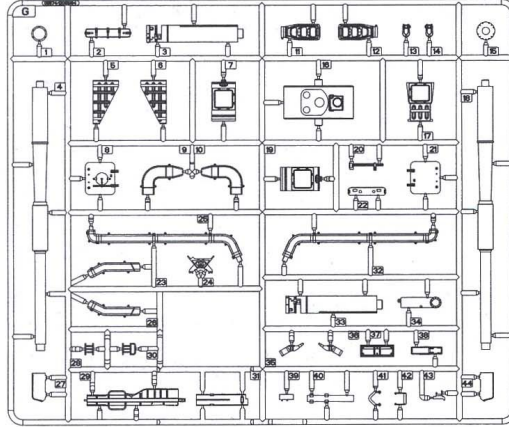
GP



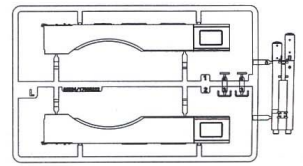
F



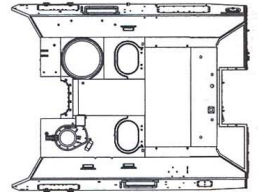
G



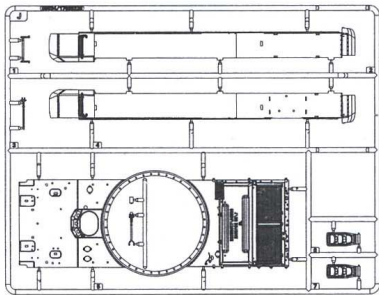
L



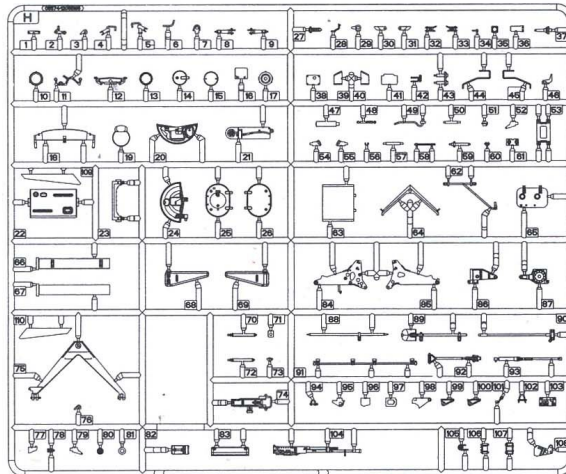
Turret



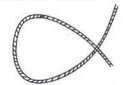
J



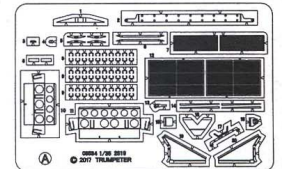
H



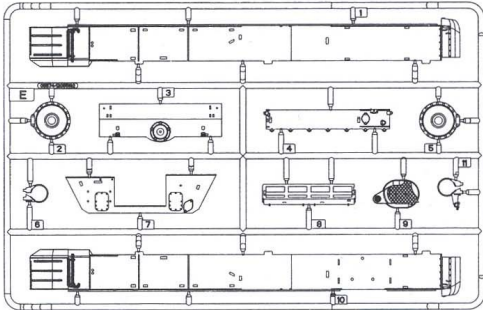
Ø 0.8x240mm  
Brass wire



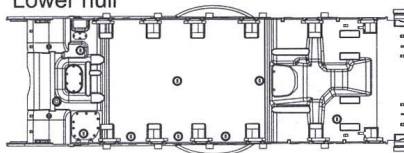
PE-A



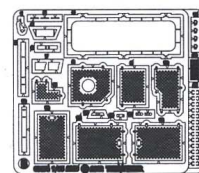
E



Lower hull



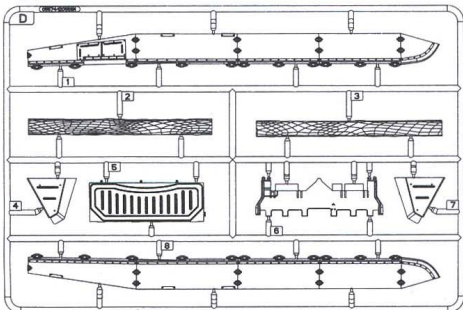
PE-B



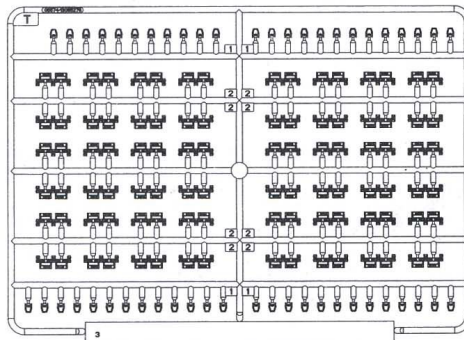
Decal



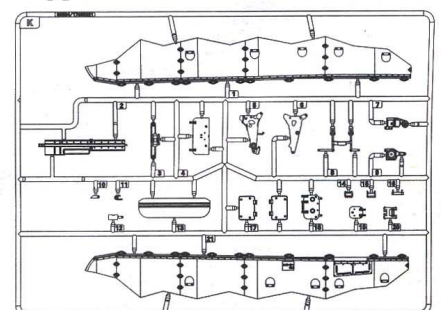
D



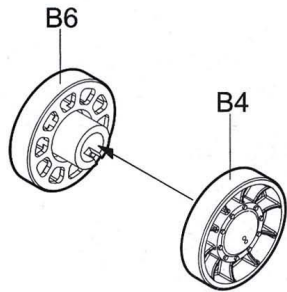
Tx4



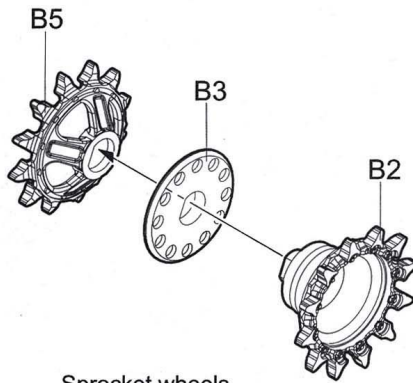
K



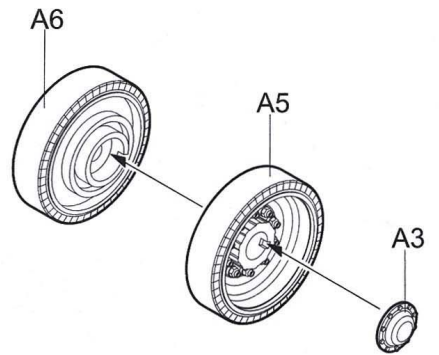
# 1 Wheels assembly



Idler wheels  
Make two

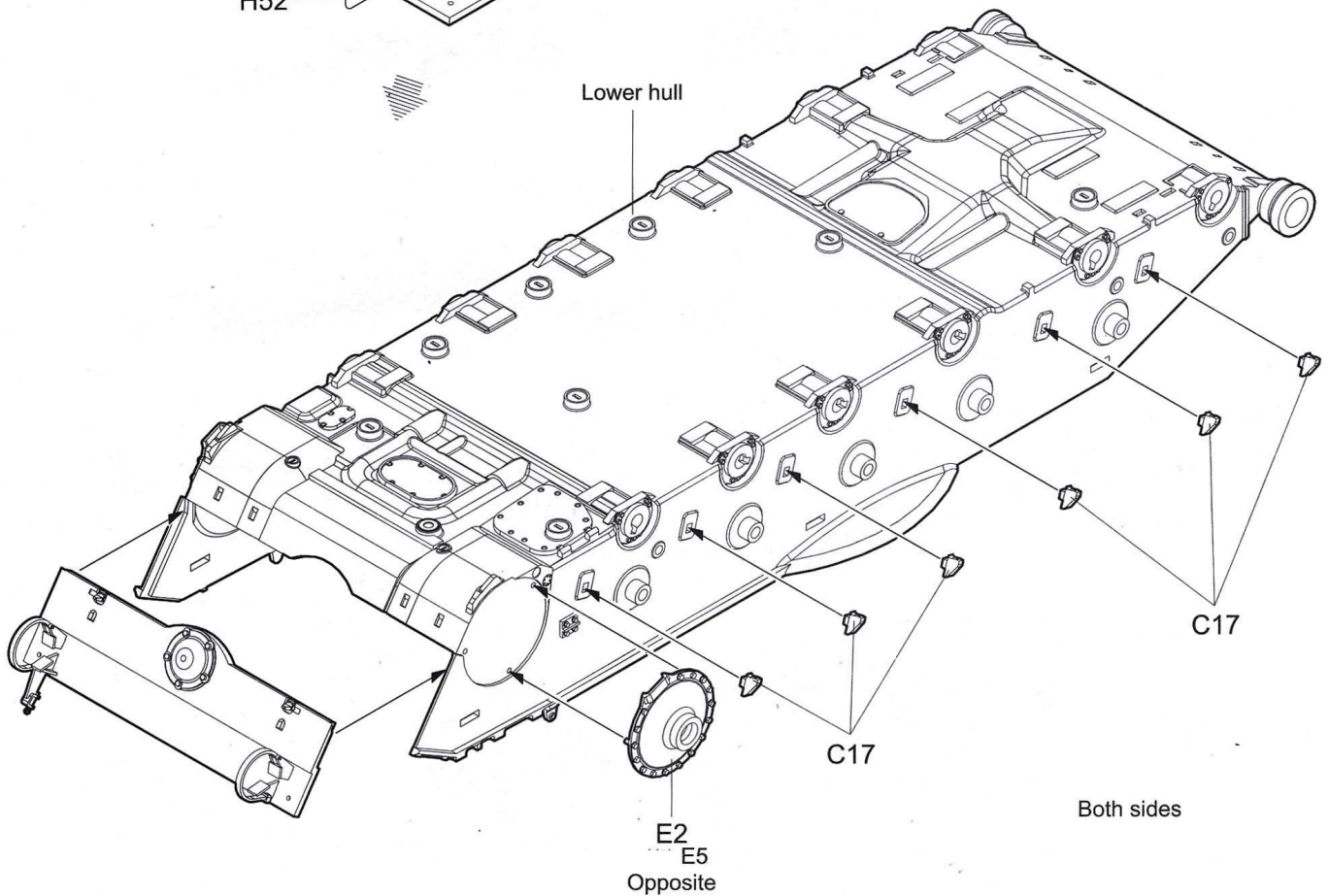
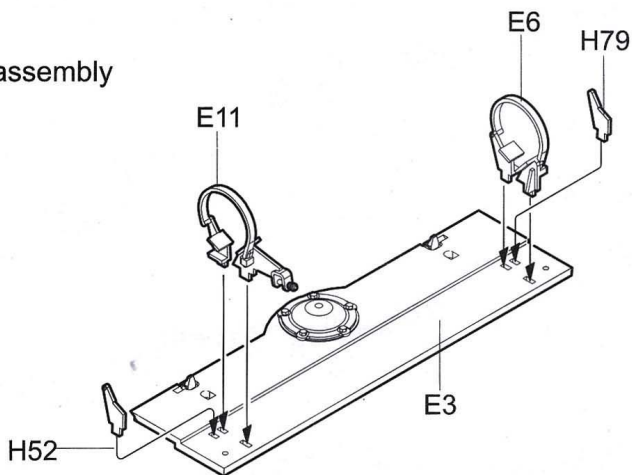


Sprocket wheels  
Make two

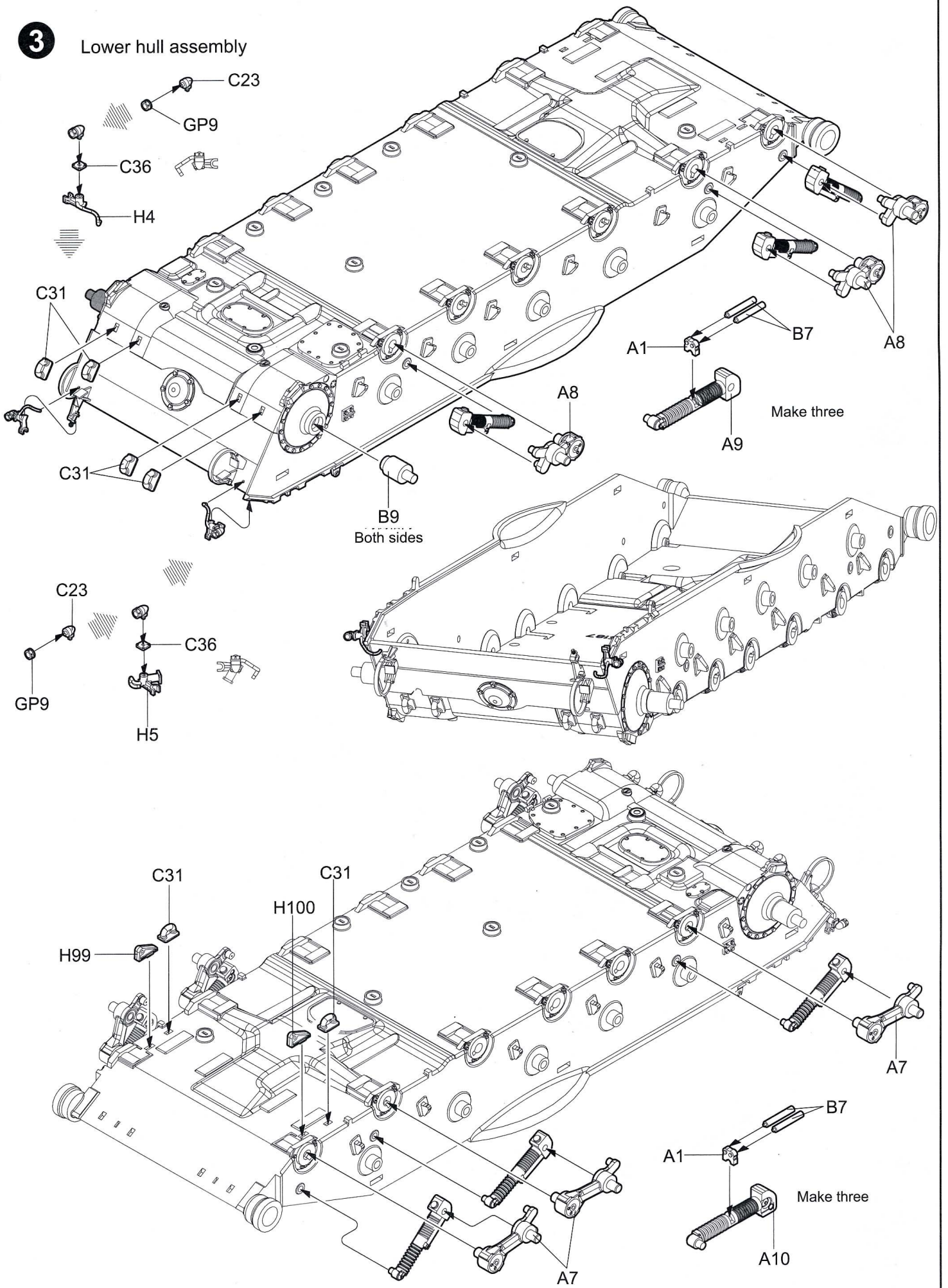


Road wheels  
Make twelve

# 2 Lower hull assembly

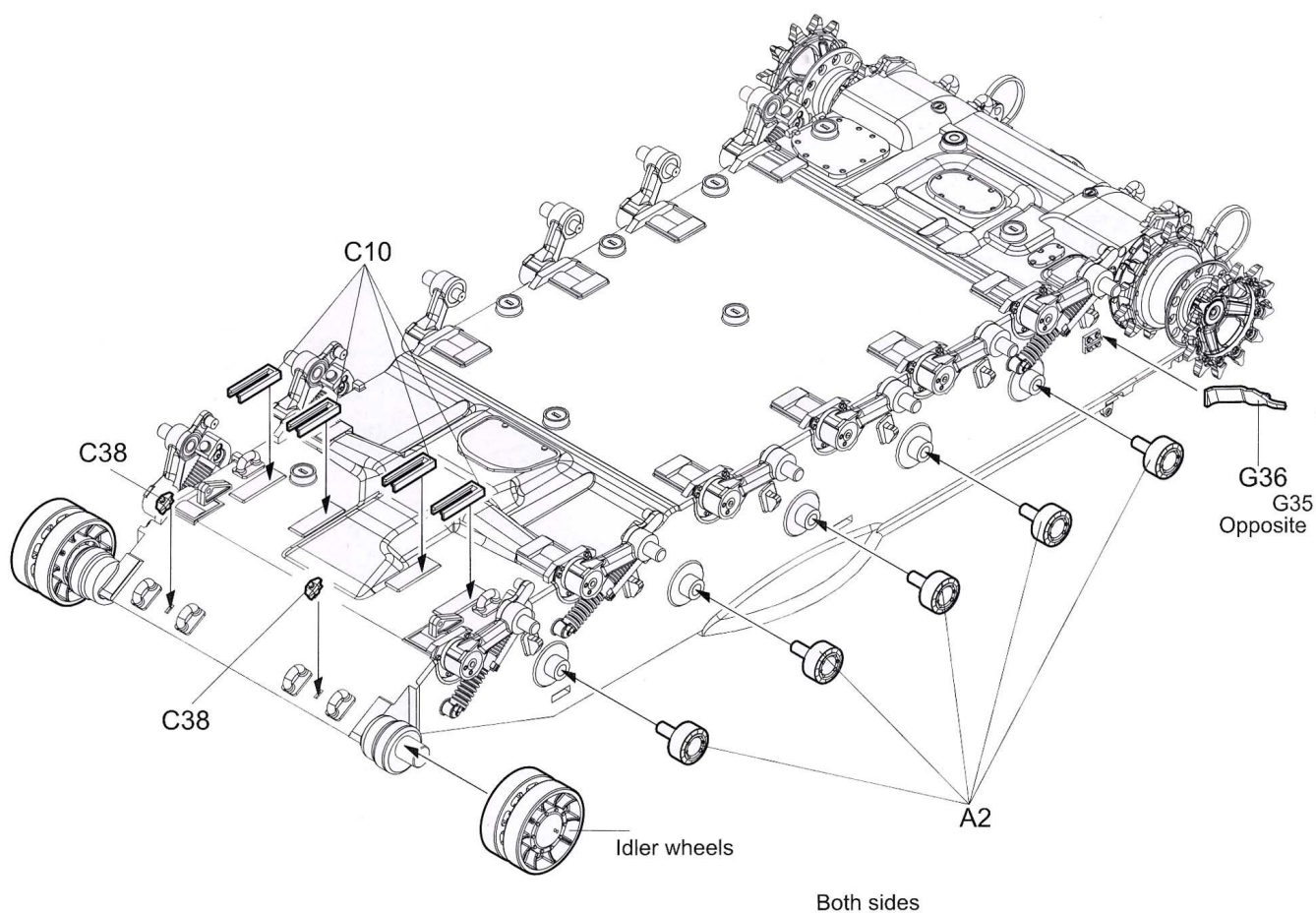
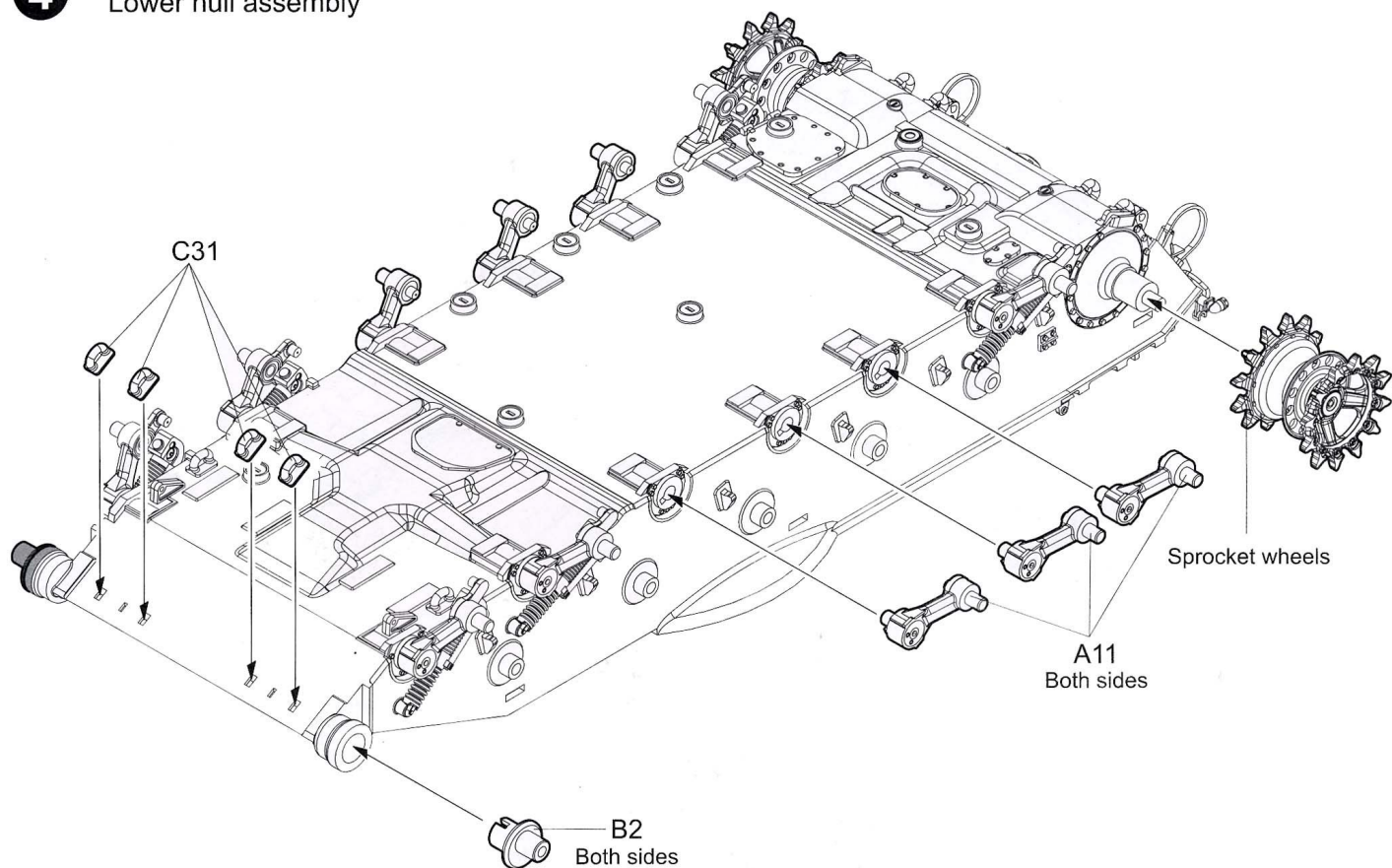


**3** Lower hull assembly

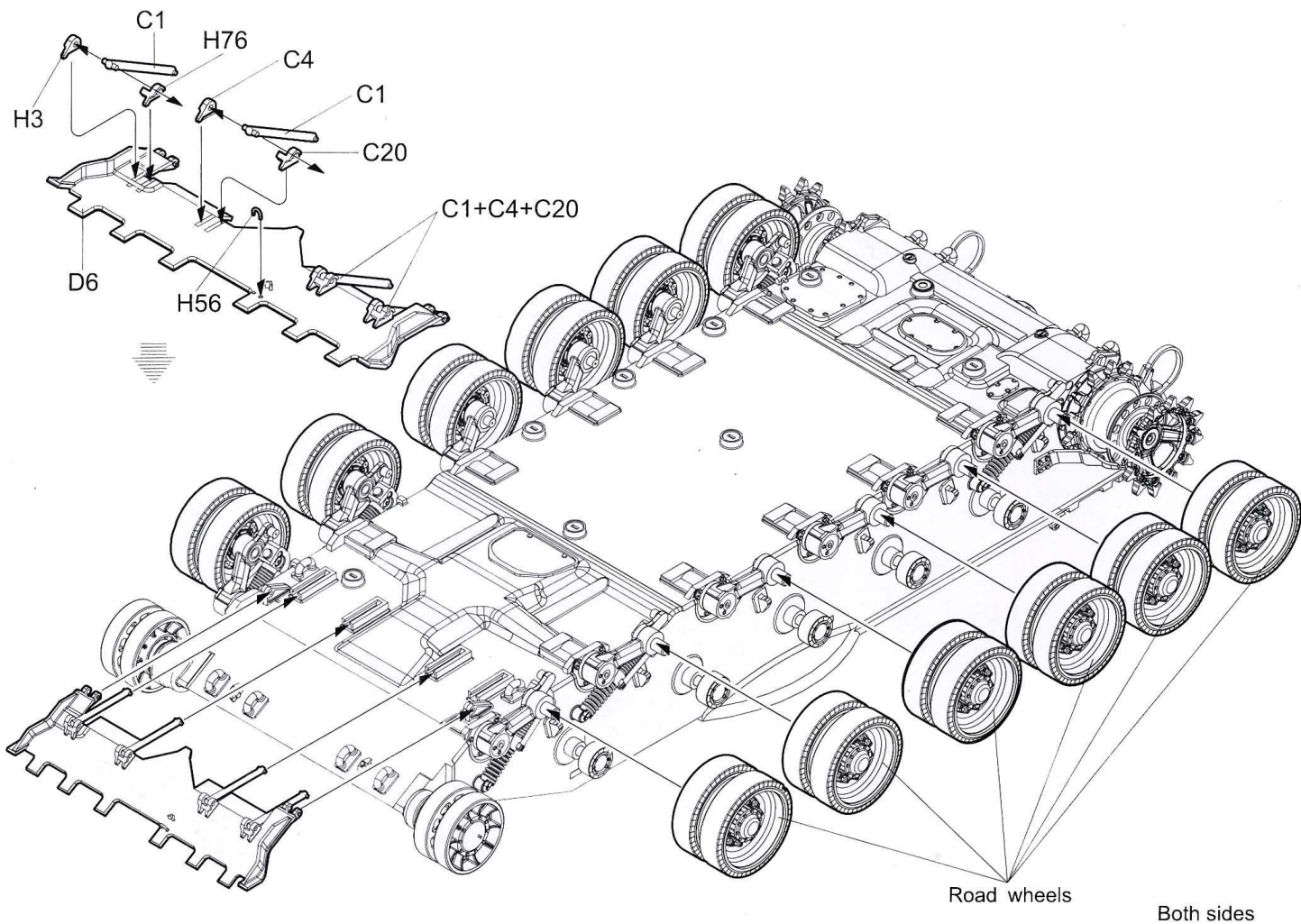


4

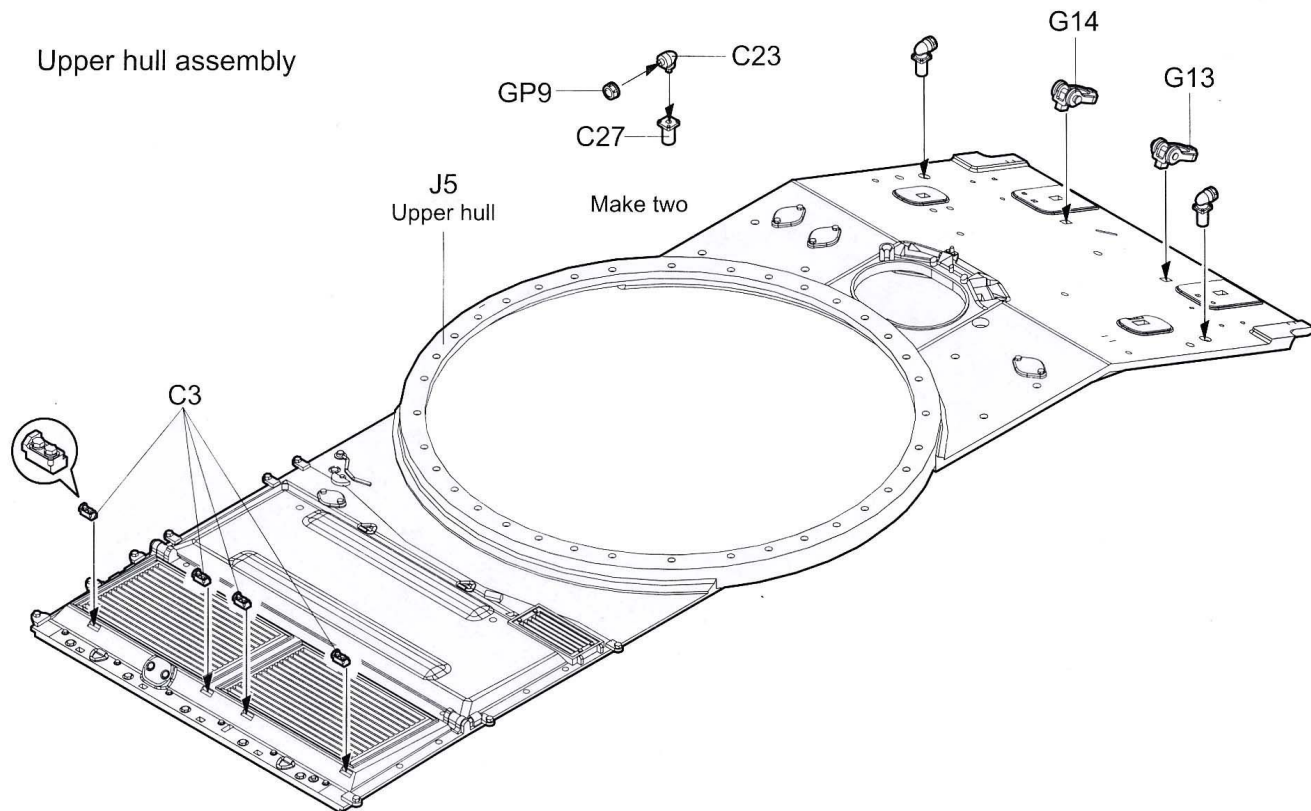
Lower hull assembly



**5** Lower hull assembly

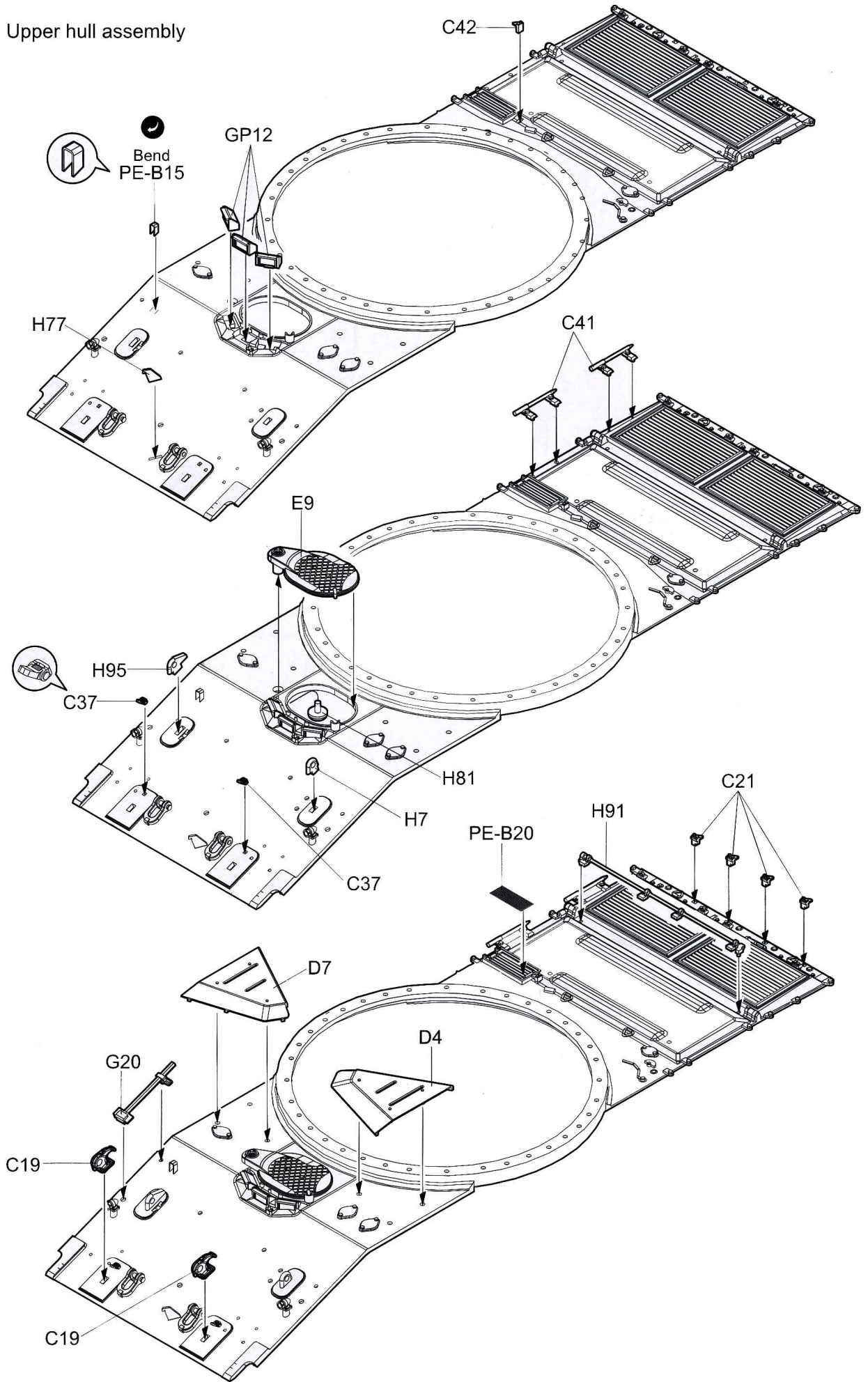


**6** Upper hull assembly

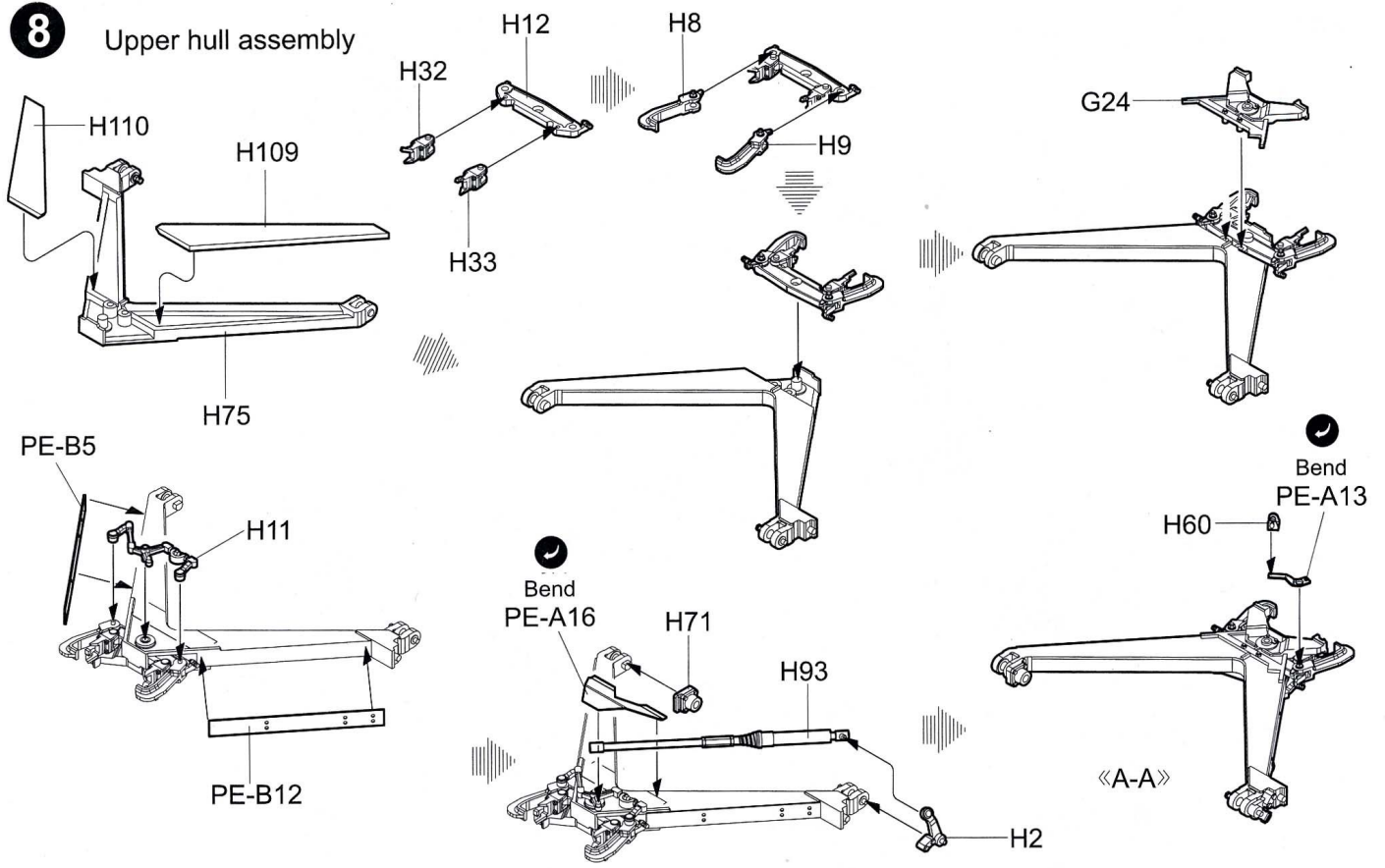


7

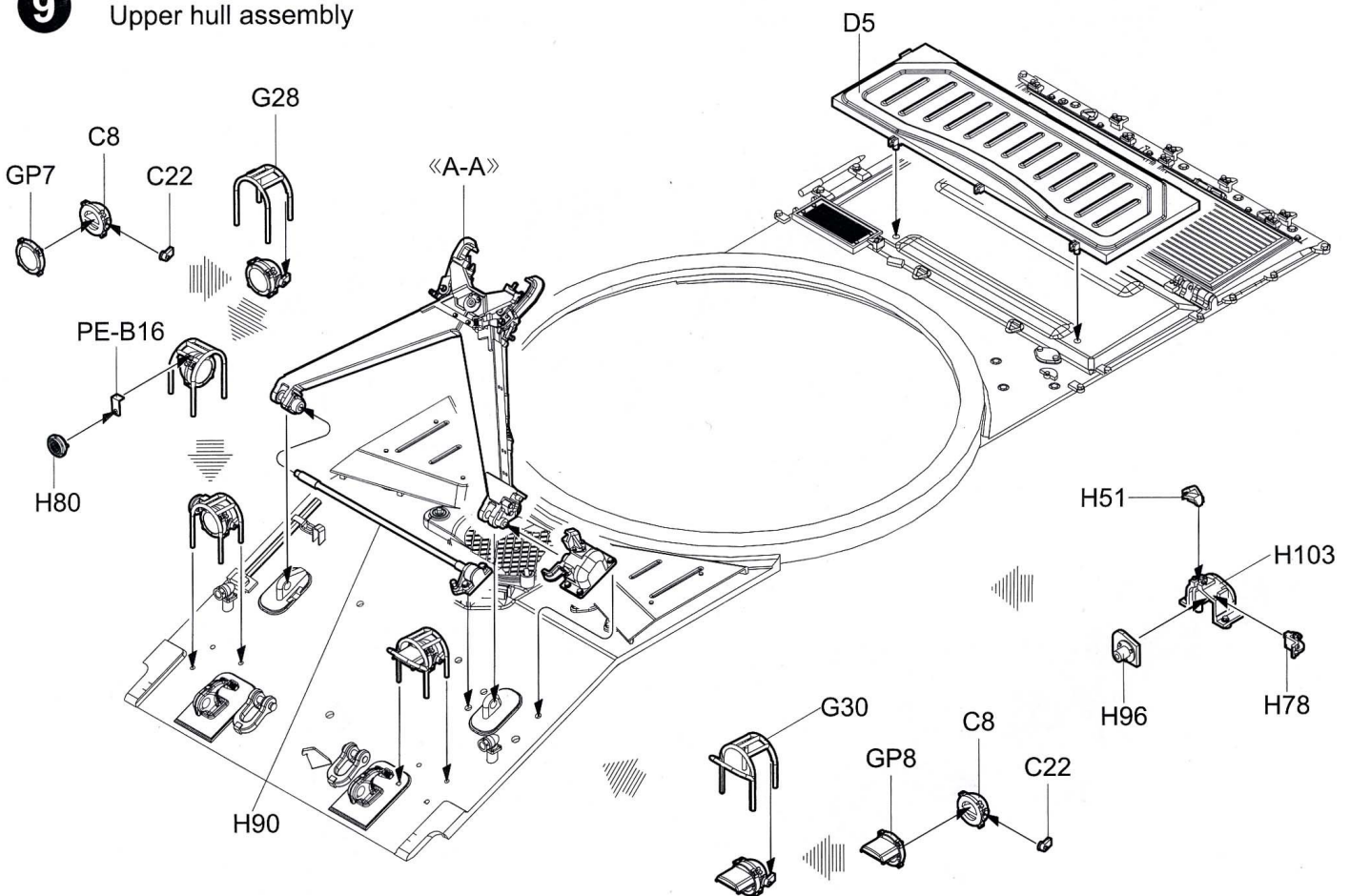
Upper hull assembly



**8** Upper hull assembly

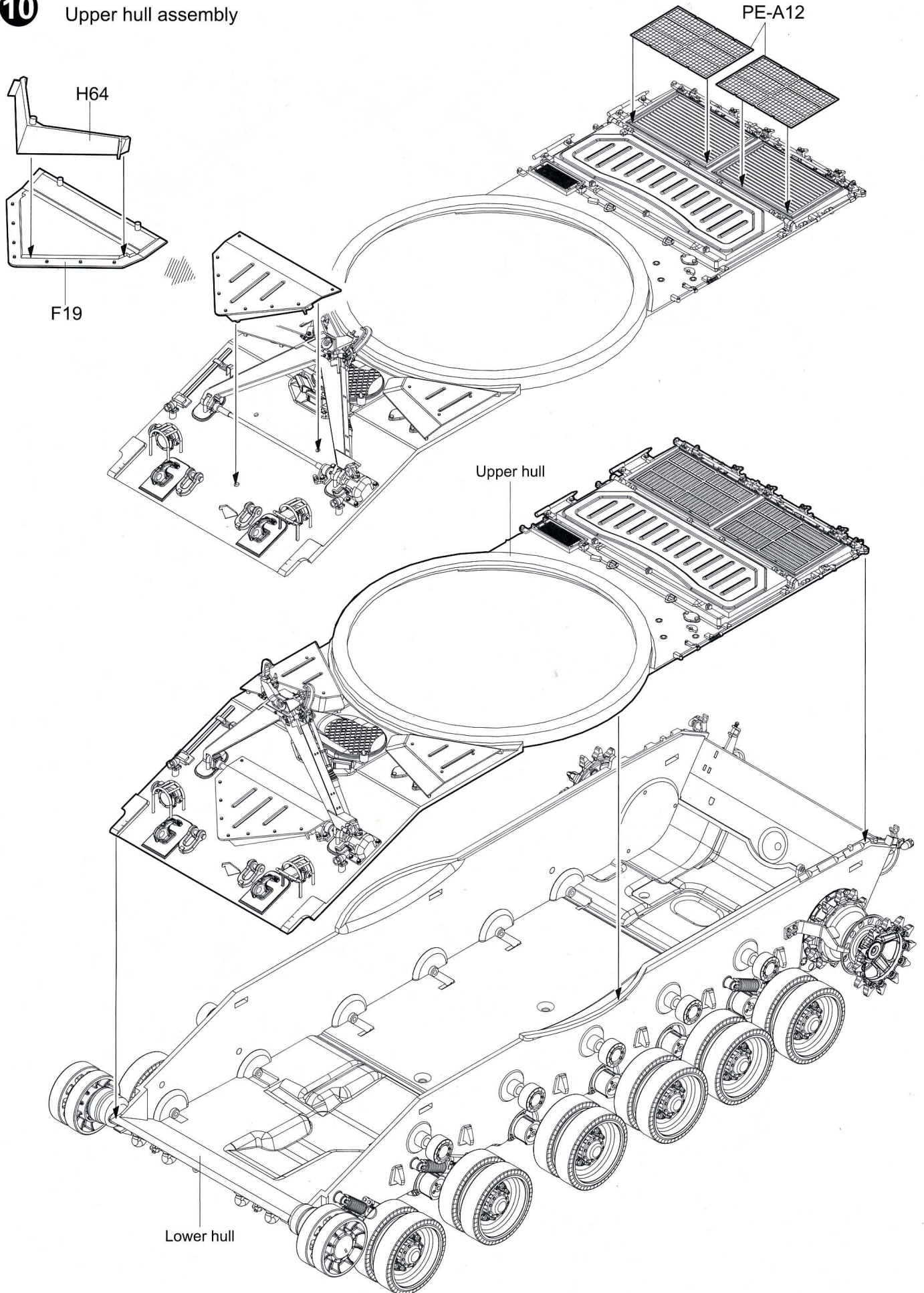


**9** Upper hull assembly

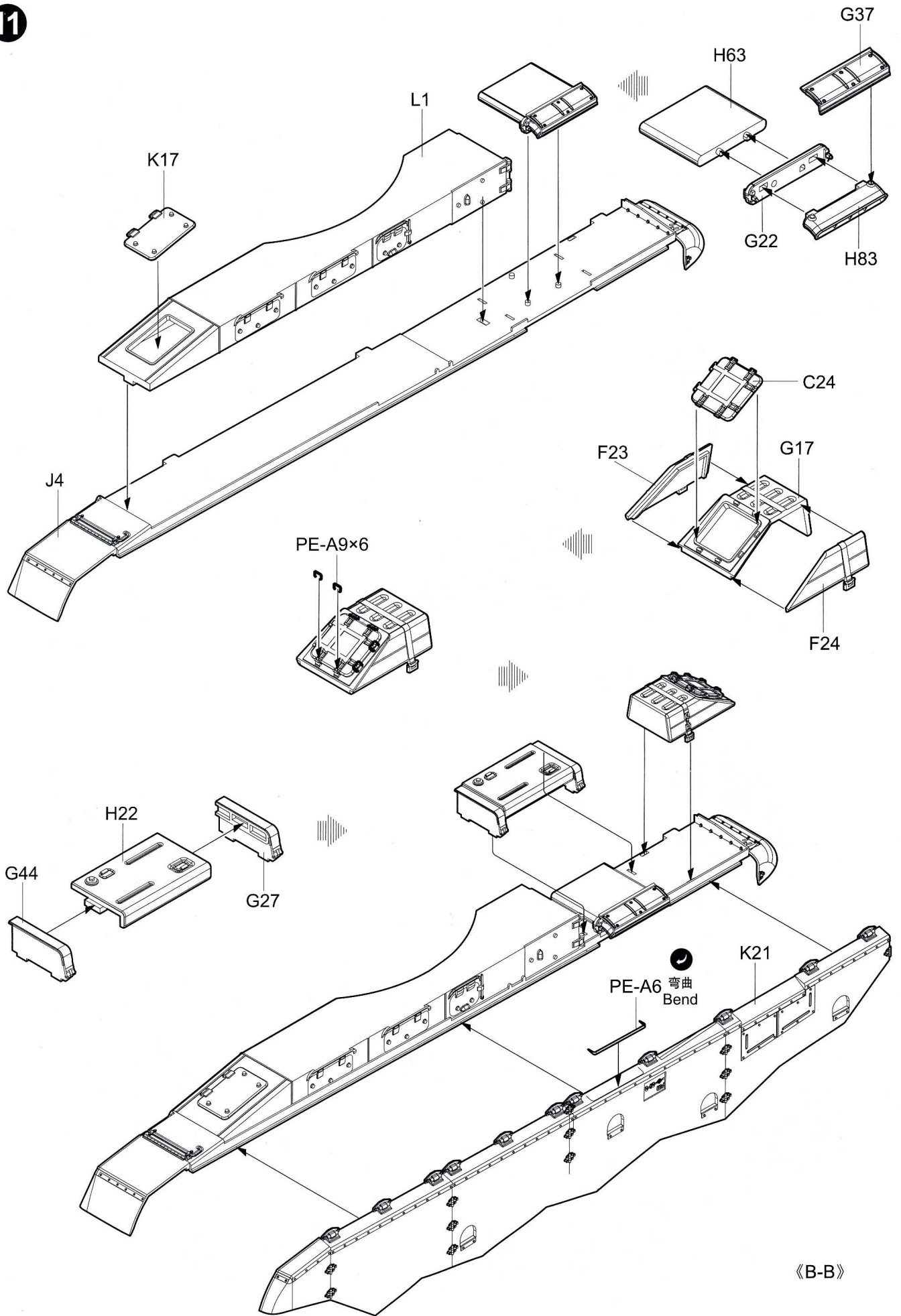


10

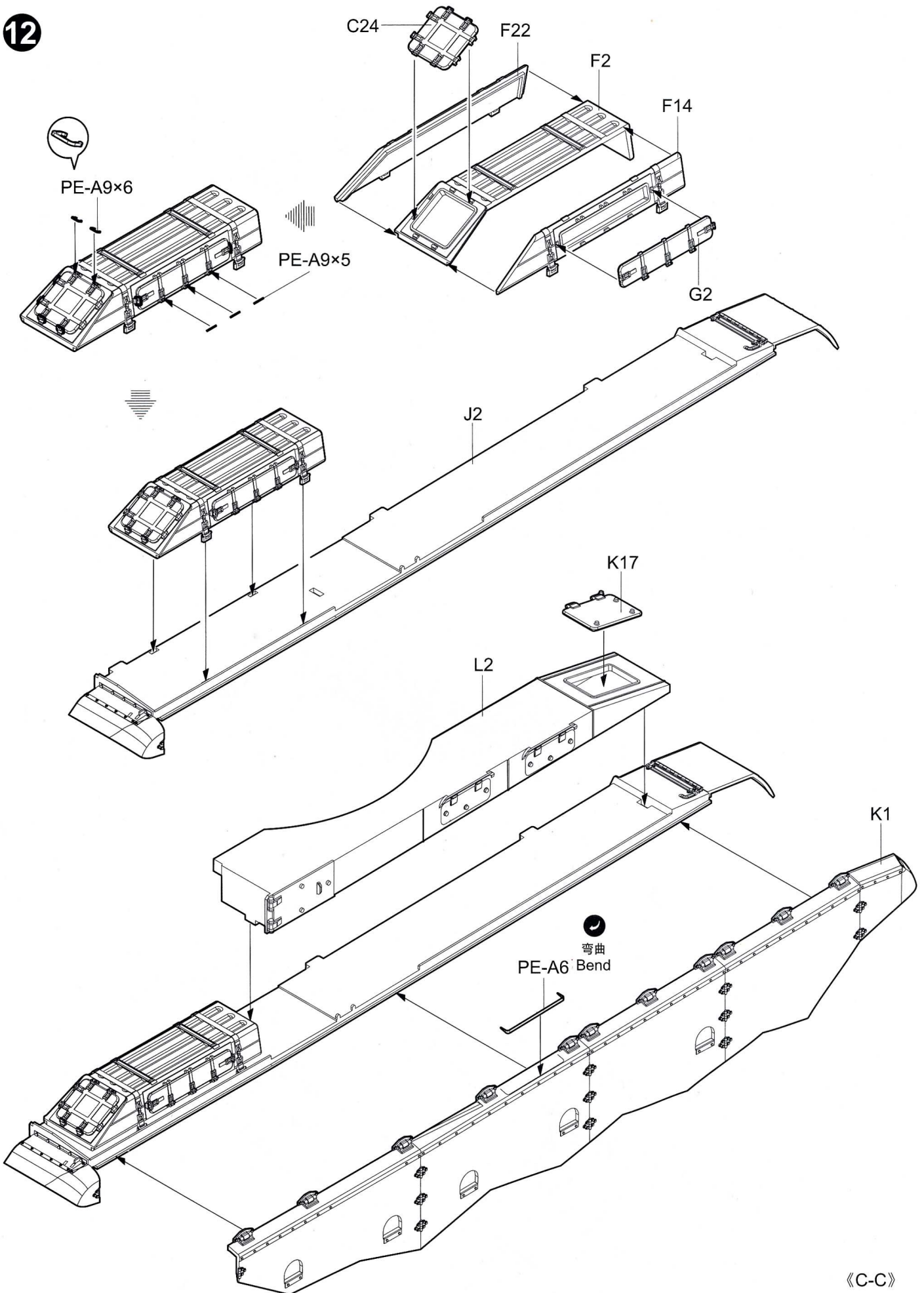
Upper hull assembly



11



12

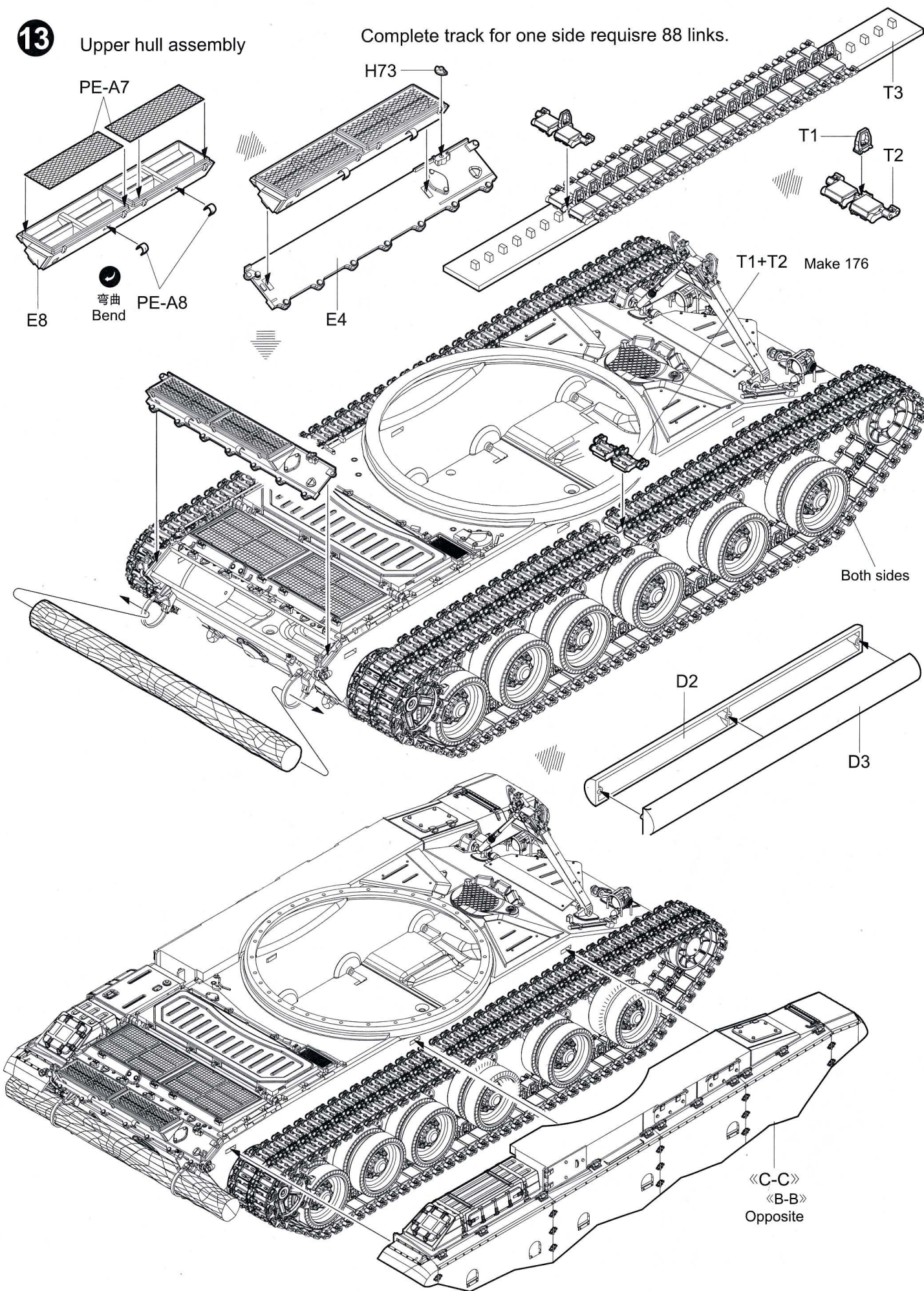


《C-C》

13

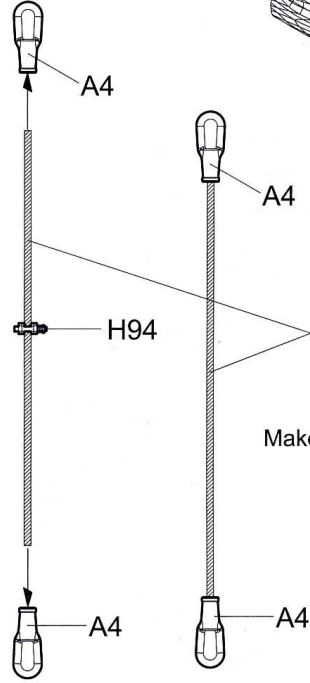
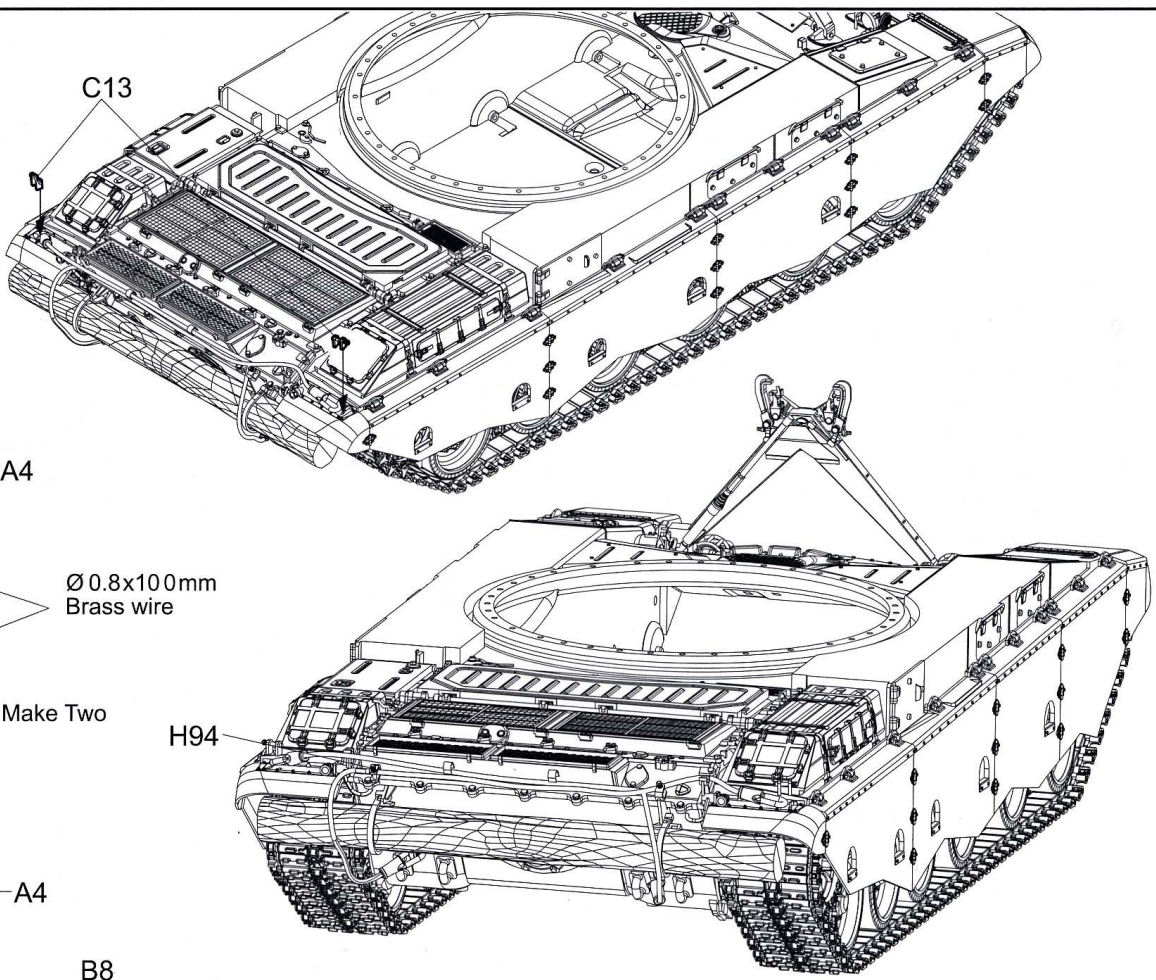
Upper hull assembly

Complete track for one side require 88 links.



14

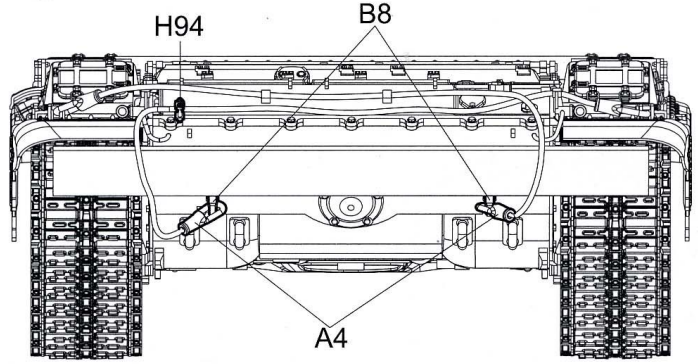
C13



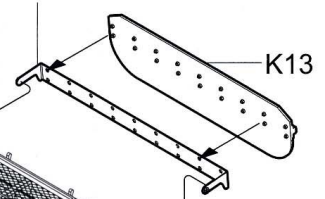
Ø 0.8x100mm  
Brass wire

Make Two

H94



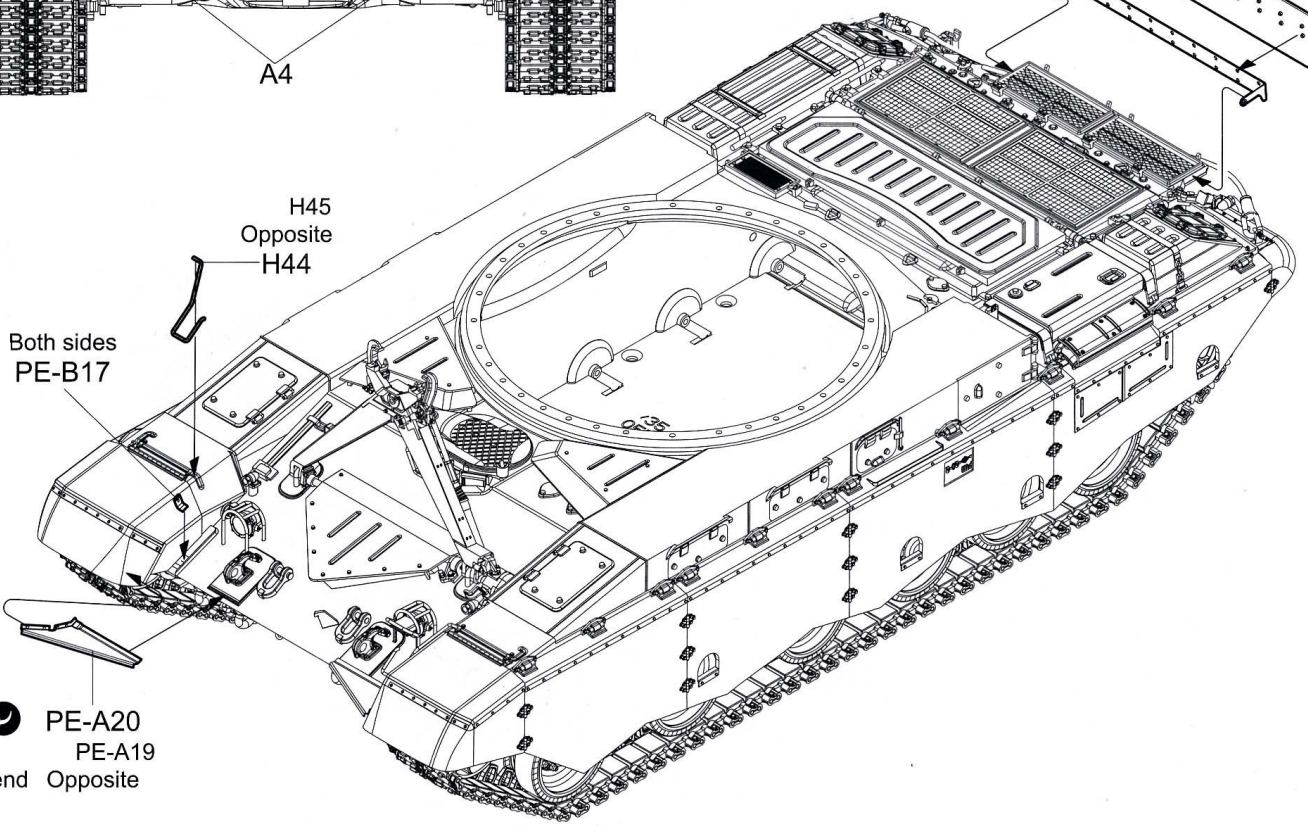
Bend  
PE-A2



Both sides  
Bend  
PE-B17

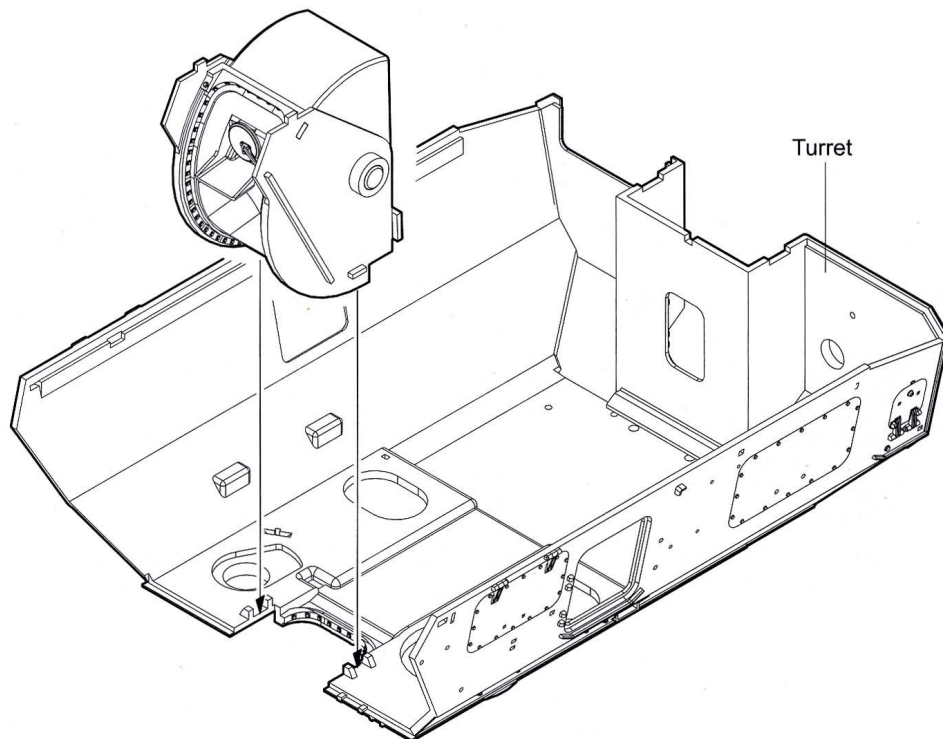
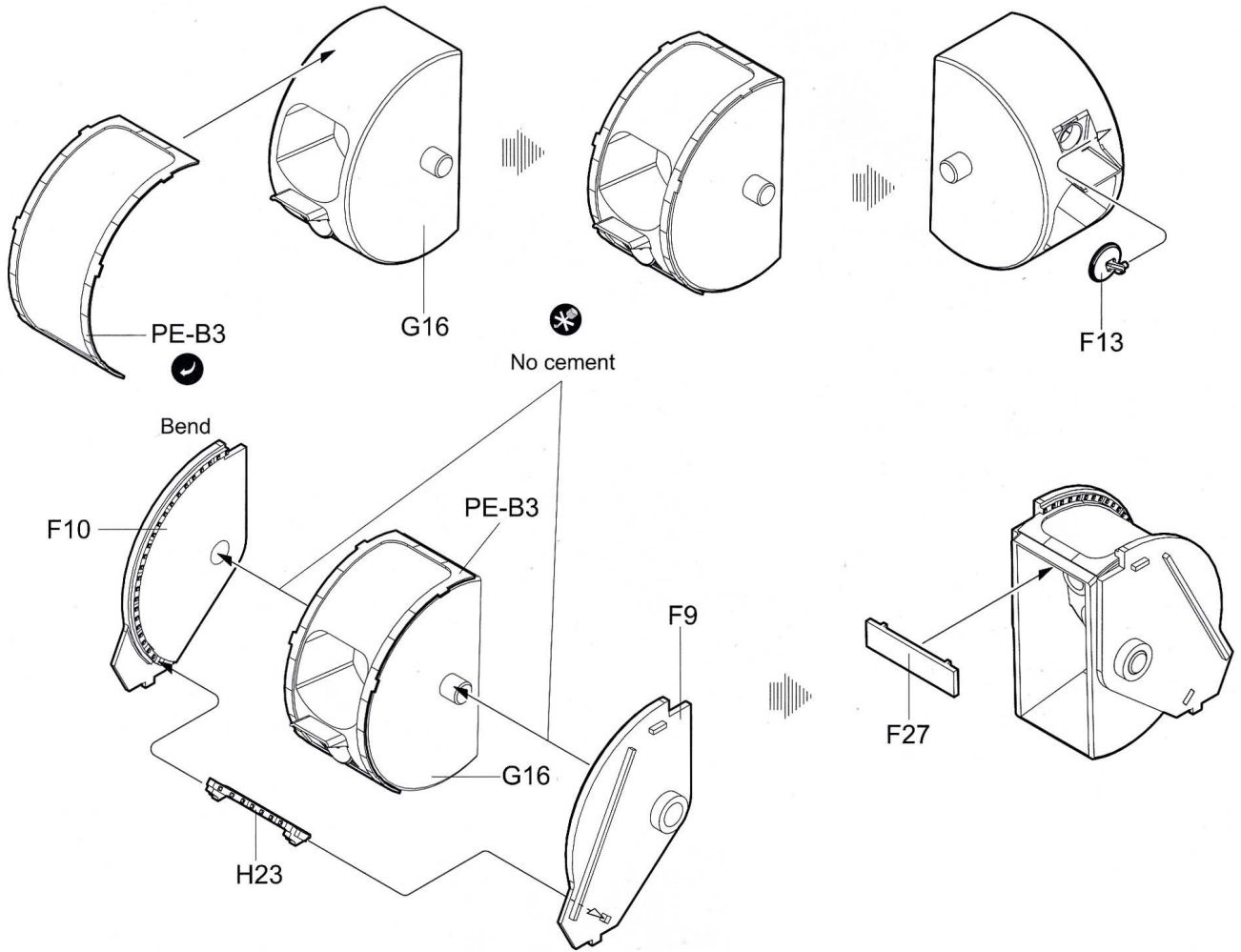
H45  
Opposite  
H44

PE-A20  
PE-A19  
Bend Opposite



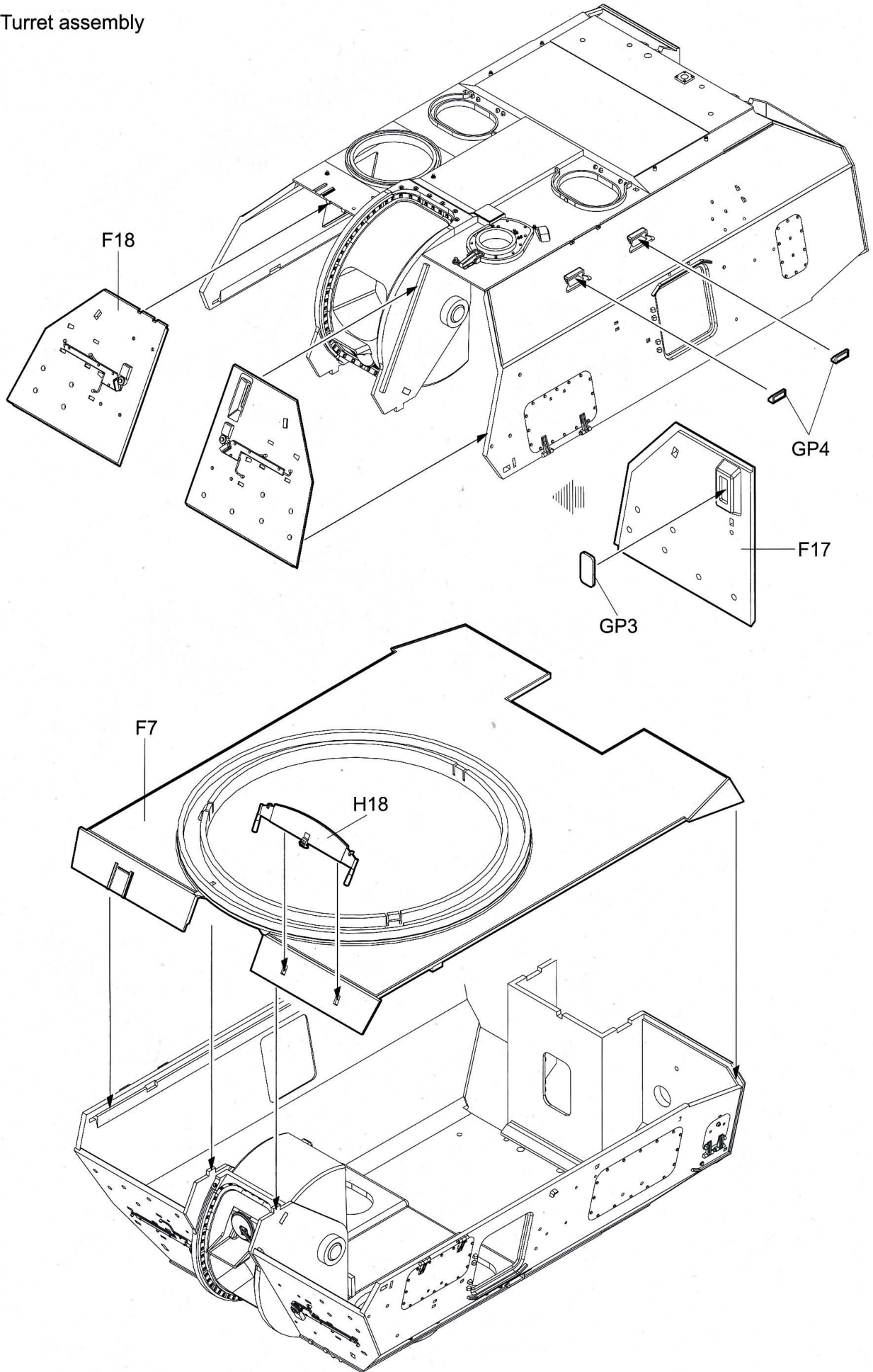
15

Turret assembly



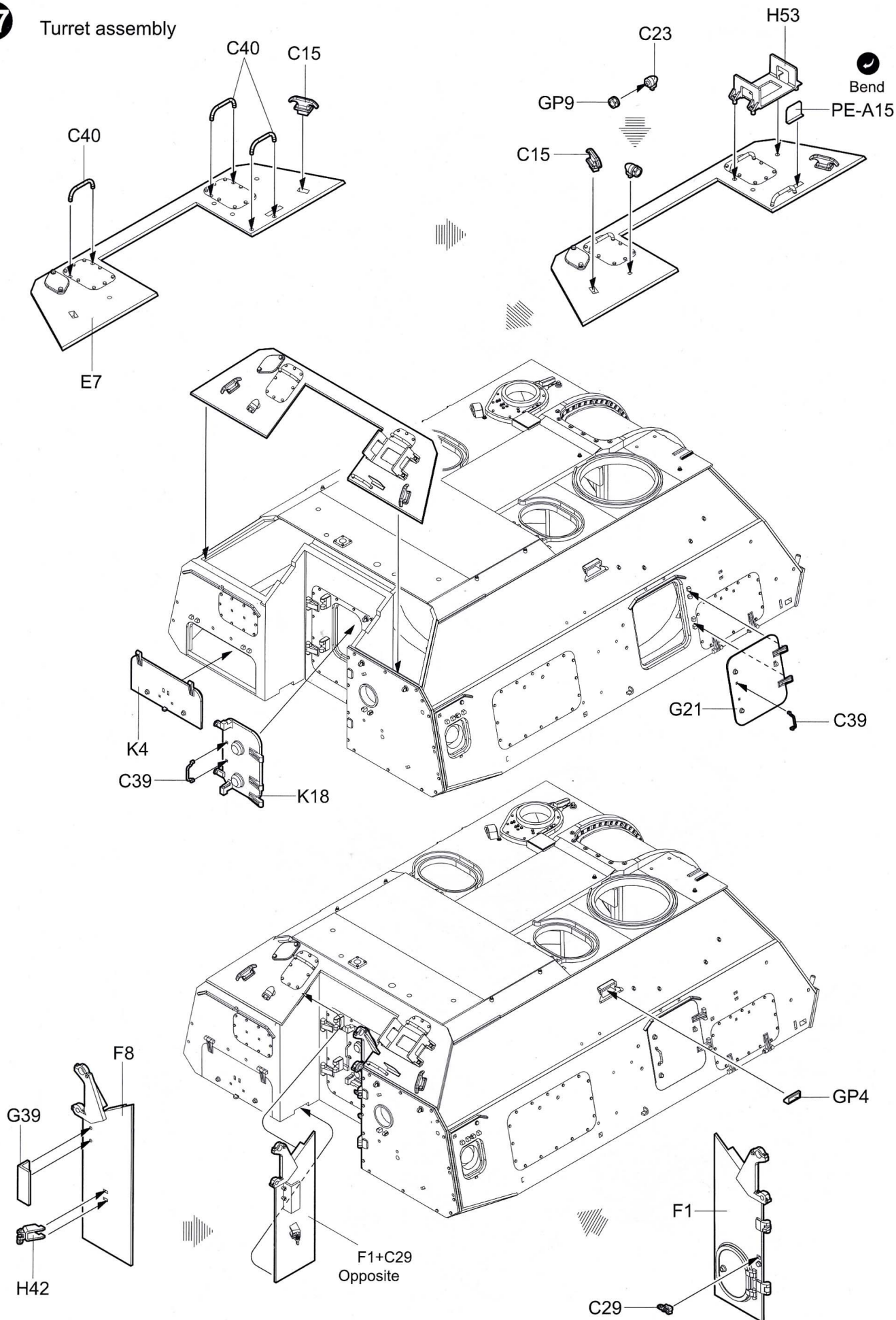
16

Turret assembly



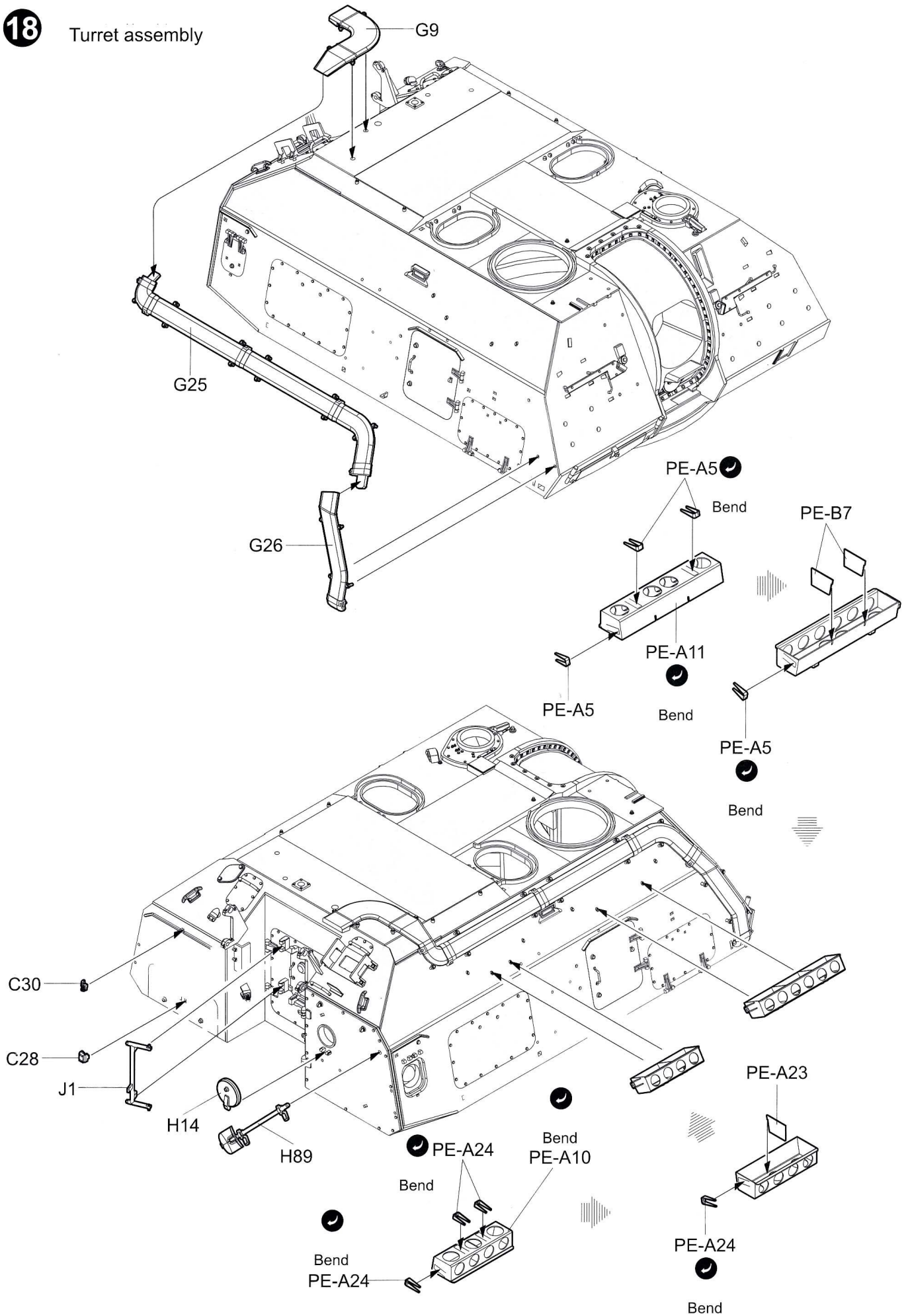
17

Turret assembly



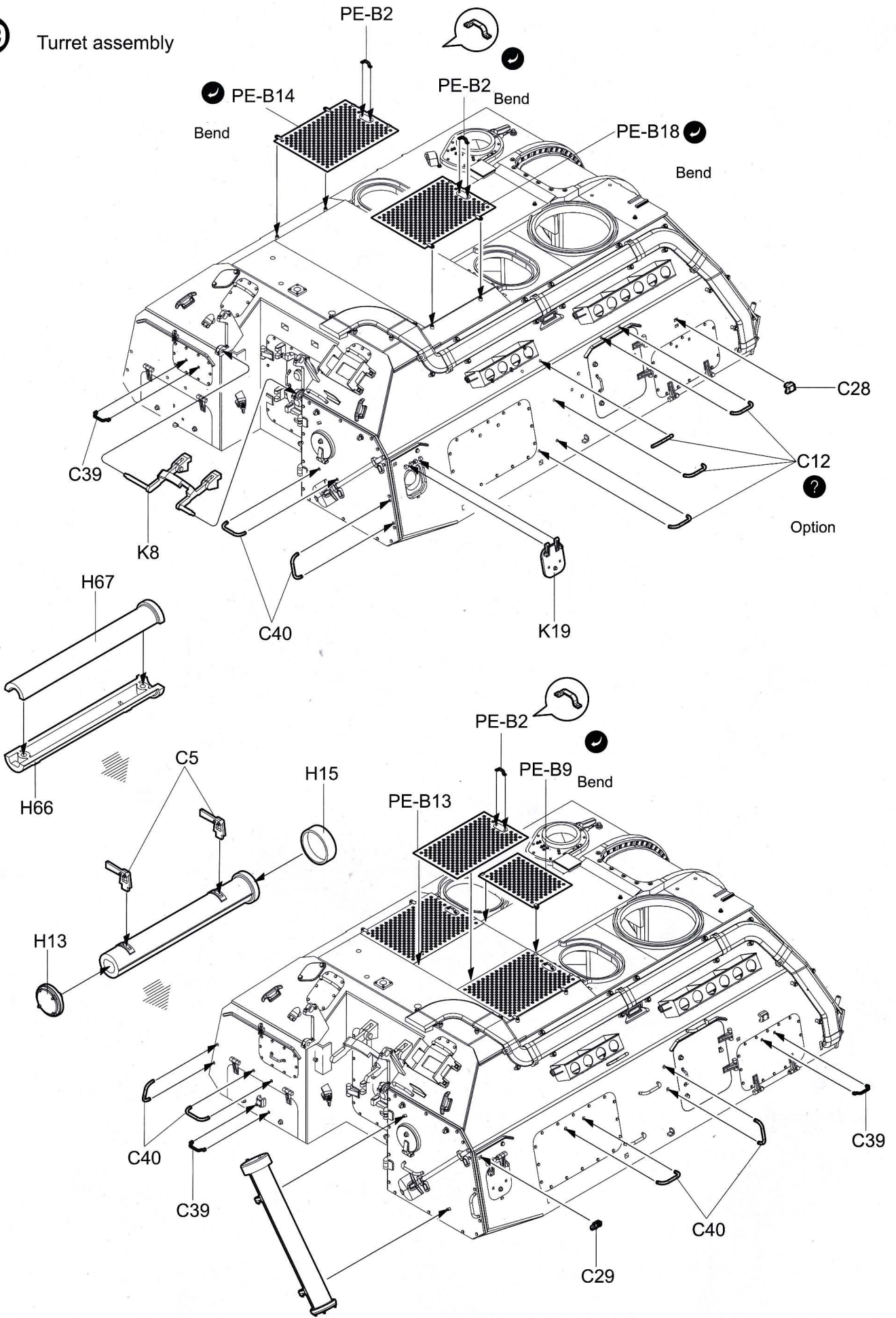
18

Turret assembly



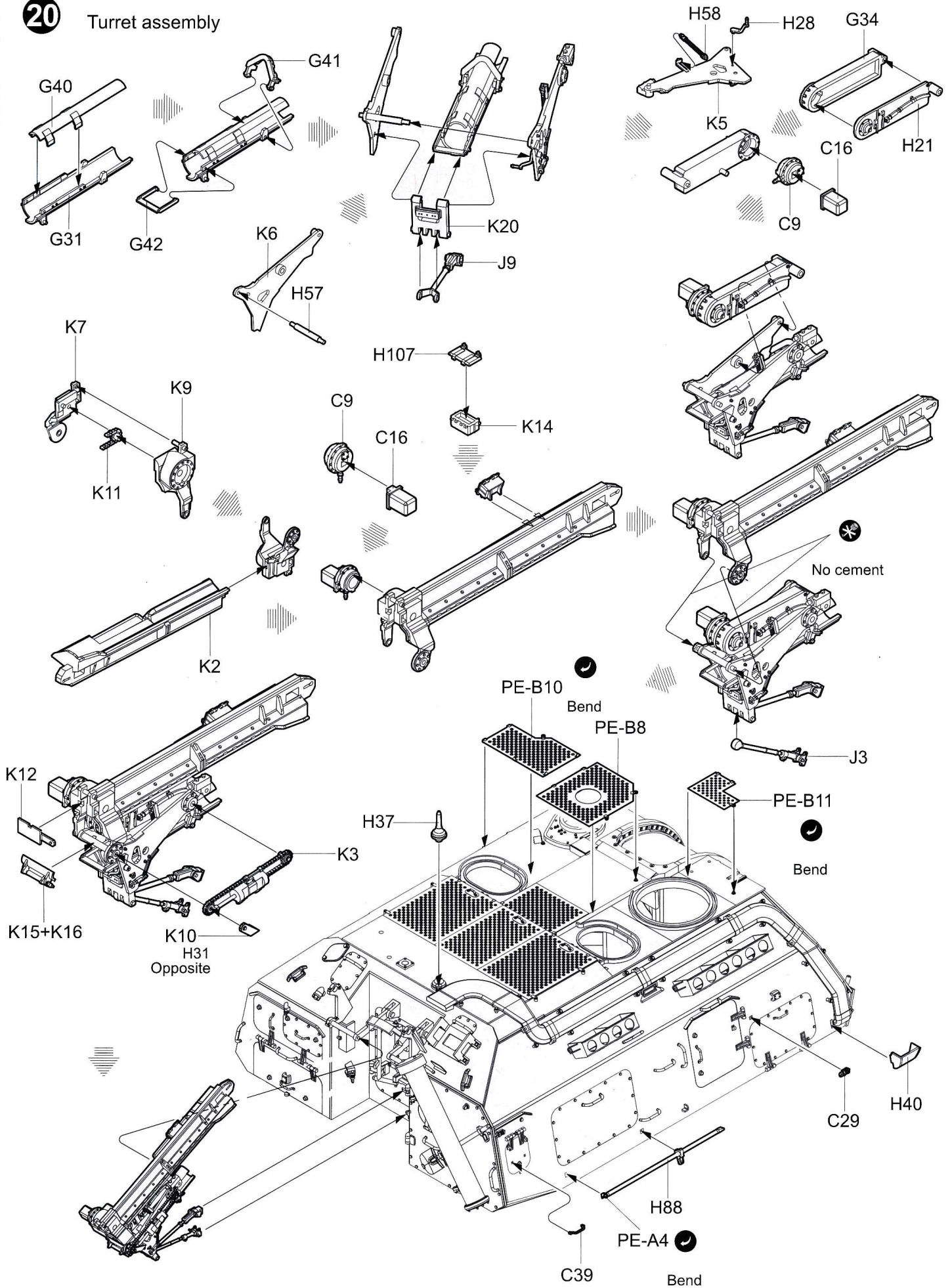
19

Turret assembly



20

Turret assembly



21

Turret assembly

