

eduard

LIMITED



Tornado IDS

INSTRUCTION SHEET

1/48

11165-NAV1

ATTENTION



UPOZORNĚNÍ



ACHTUNG



ATTENTION



注意



Carefully read instruction sheet before assembling. When you use glue or paint, do not use near open flame and use in well ventilated room. Keep out of reach of small children. Children must not be allowed to suck any part, or pull vinyl bag over the head.



Před započítím stavby si pečlivě prostudujte stavební návod. Při používání barev a lepidel pracujte v dobře větrané místnosti. Lepidla ani barvy nepoužívejte v blízkosti otevřeného ohně. Model není určen malým dětem, mohlo by dojít k požití drobných dílů.

INSTRUCTION SIGNS * INSTR. SYMBOLS * INSTRUKTION SINNBILDEN * SYMBOLES * 記号の説明

OPTIONAL
VOLBABEND
OHNOUTSAND
BROUSITOPEN HOLE
VYVRTAT OTVORSYMETRICAL ASSEMBLY
SYMETRICKÁ MONTÁŽREMOVE
ODRÍZNOUTREVERSE SIDE
OTOČITAPPLY EDUARD MASK
AND PAINT
POUŽÍT EDUARD MASK
NABARVIT

PARTS



DÍLY



TEILE

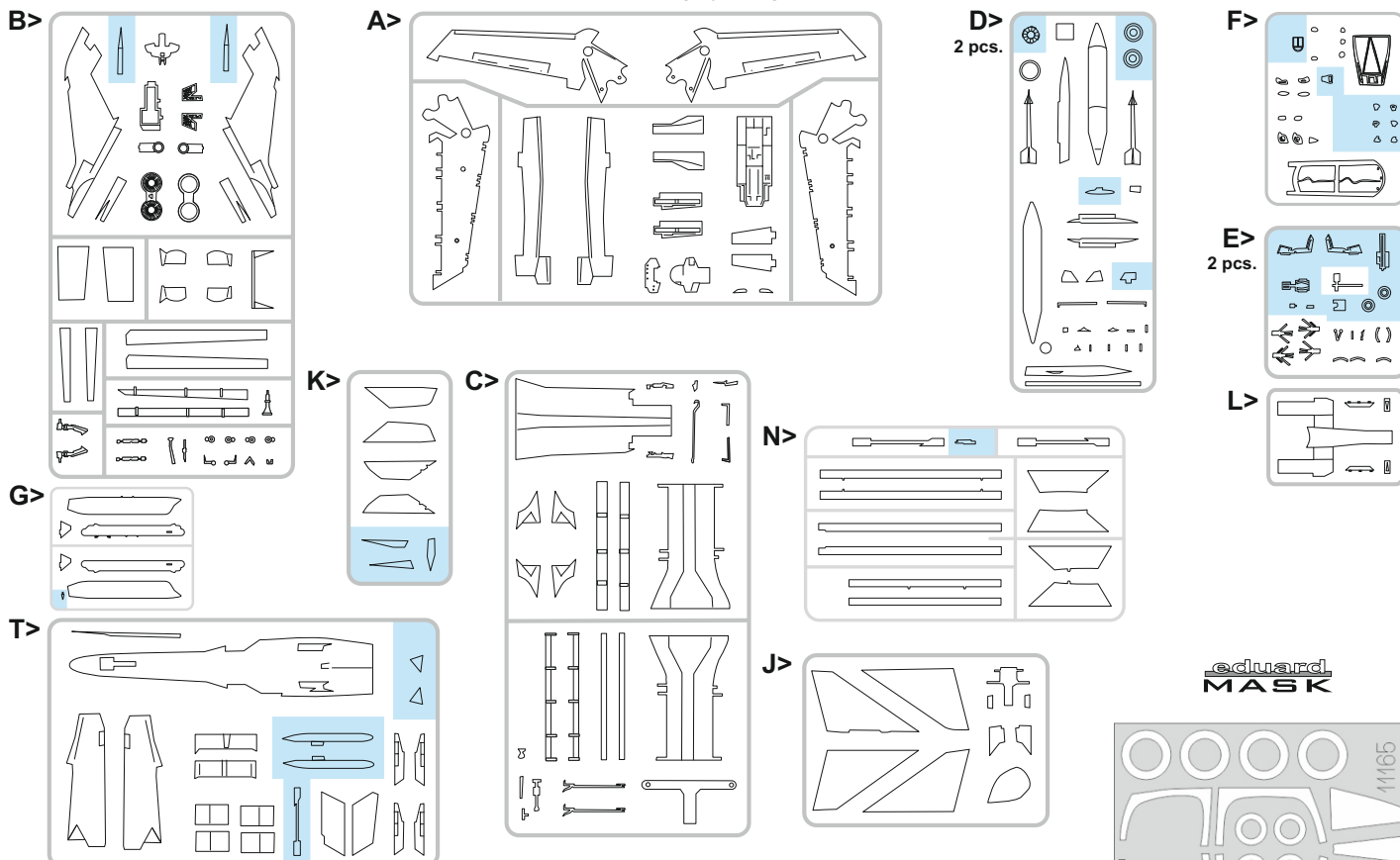


PIÈCES

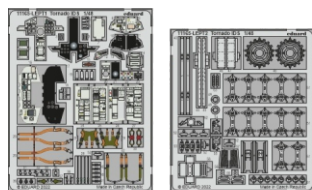


部品

PLASTIC PARTS



PE - PHOTO ETCHED DETAIL PARTS



FILM



RP - RESIN PARTS



R1 2pcs.



R2 R3



R4 R5



R6 2pcs.



R7 2pcs.



R8 2pcs.



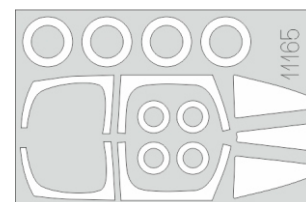
R9 2pcs.



R10 2pcs.



R11 2pcs.

eduard
MASK

1165

-Parts not for use. -Teile werden nicht verwendet. -Pièces à ne pas utiliser. -Tyto díly nepoužívejte při stavbě. - 使用しない部品

COLOURS



BARVY



FARBEN



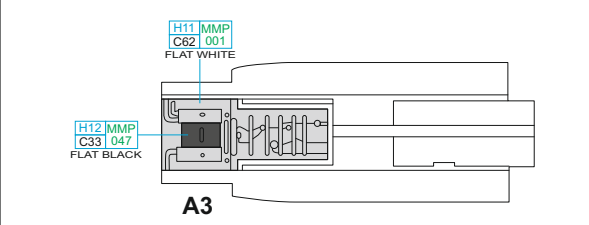
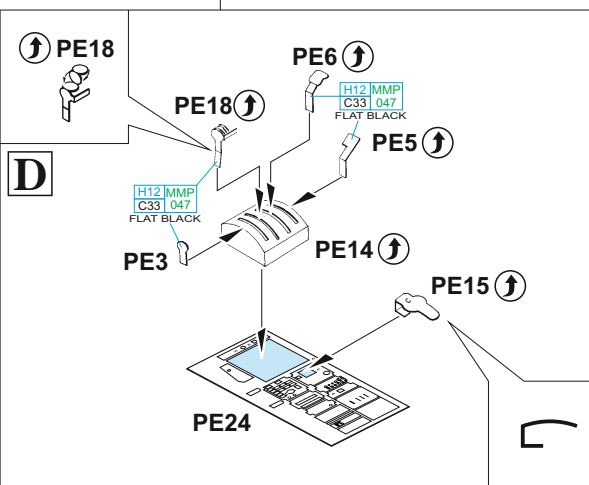
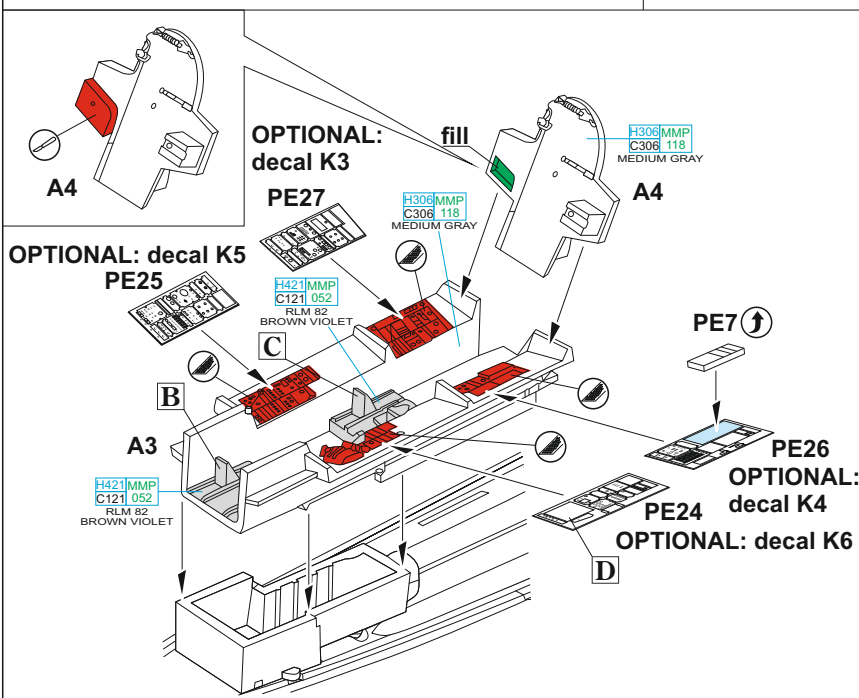
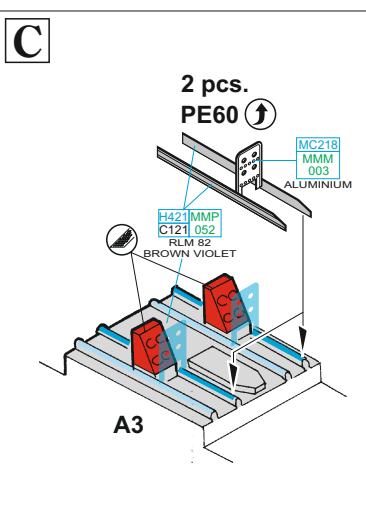
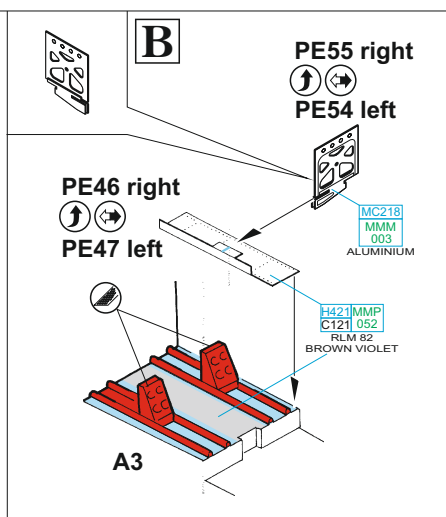
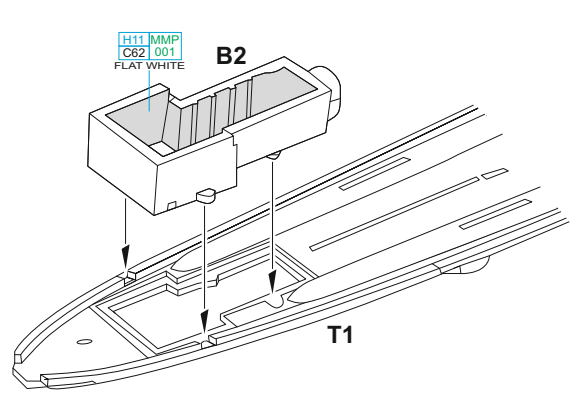
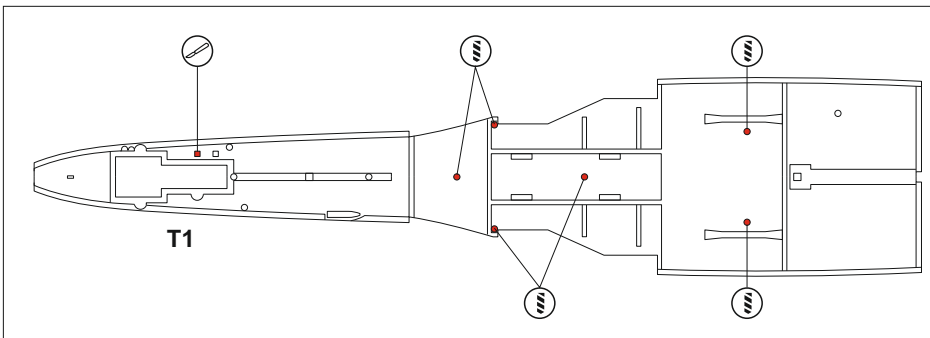
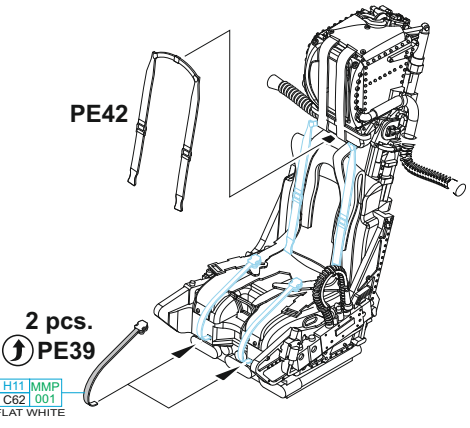
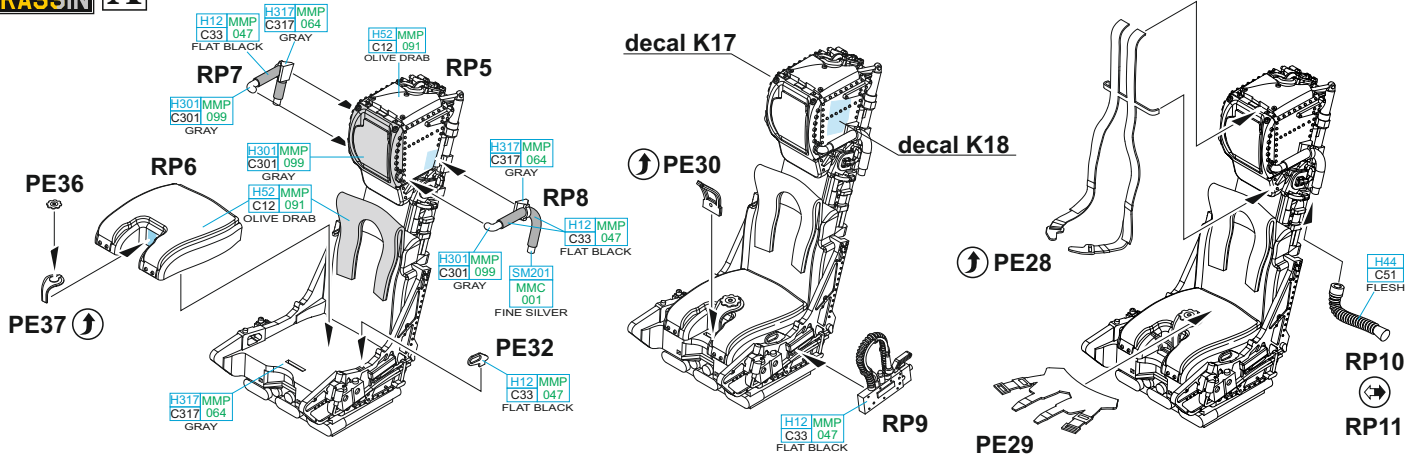
PEINTURE

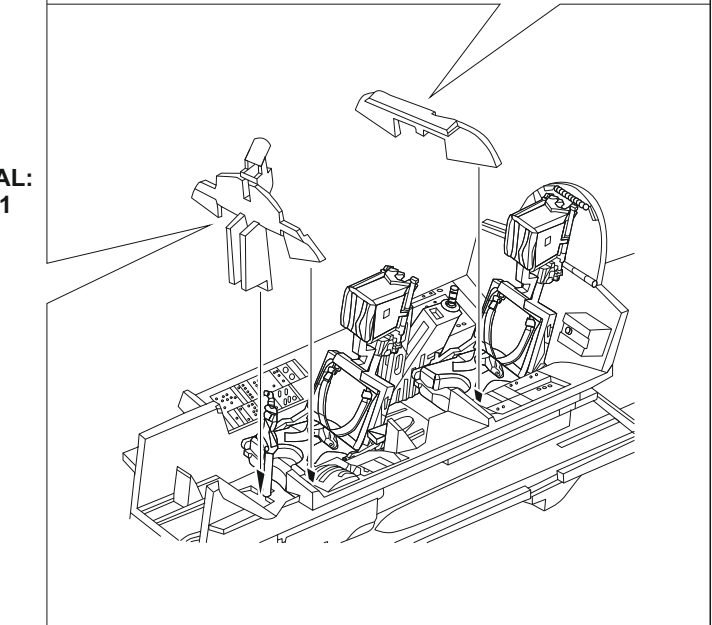
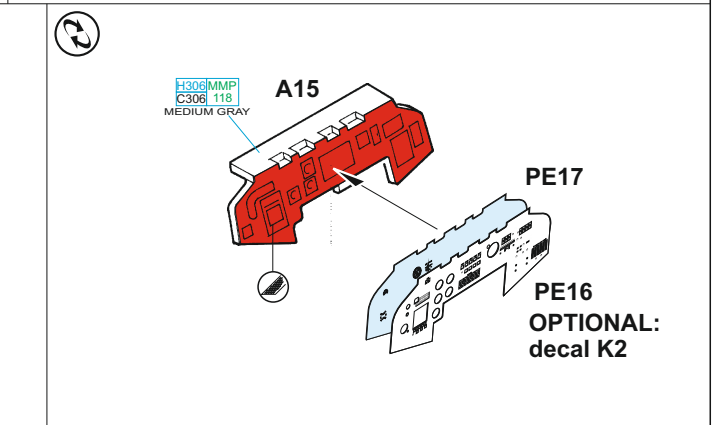
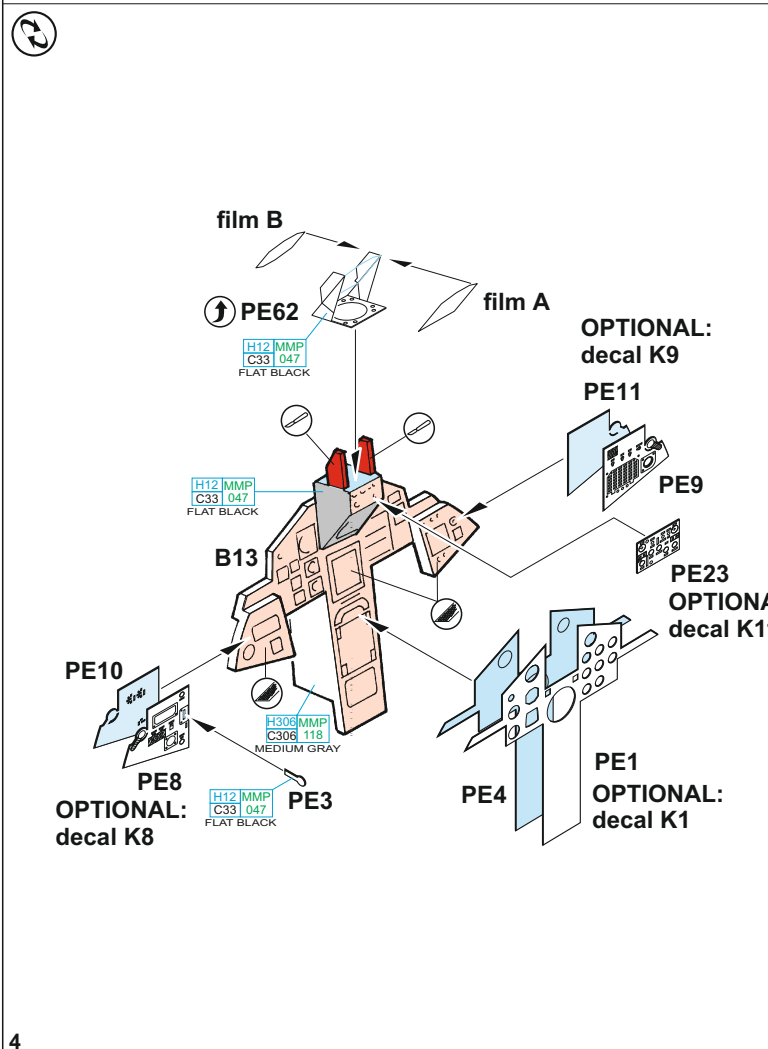
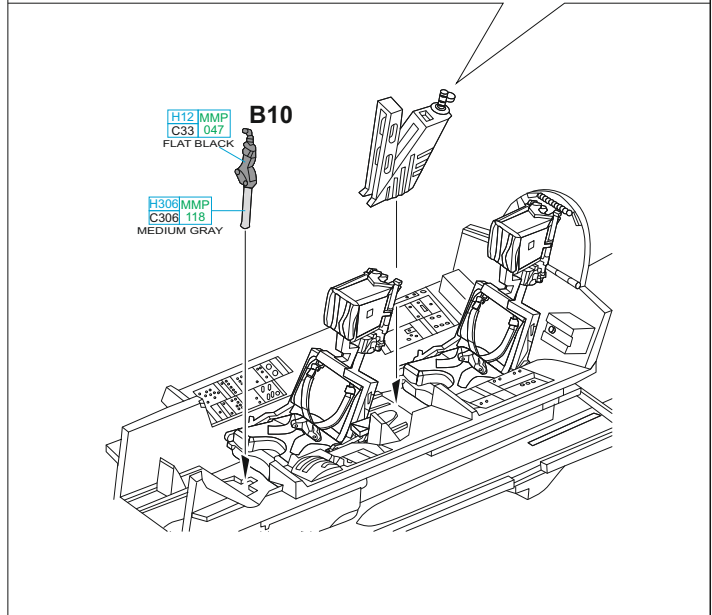
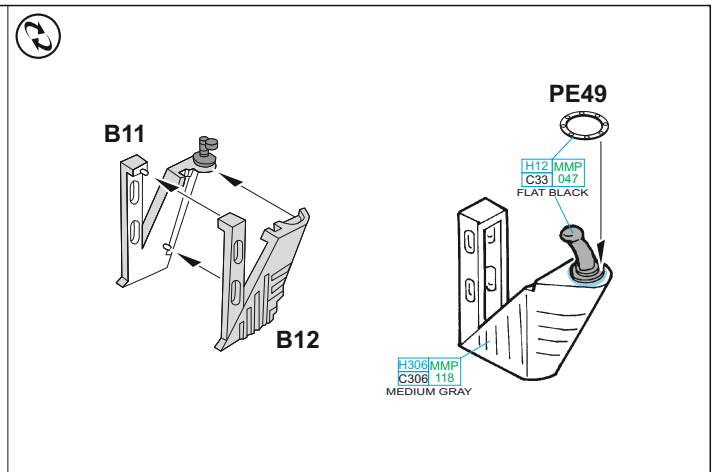
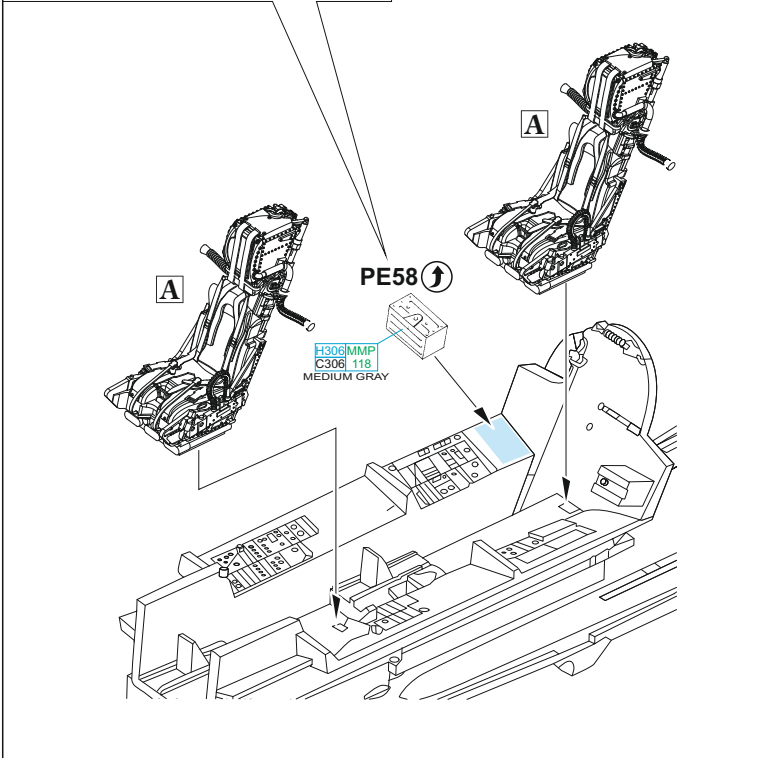
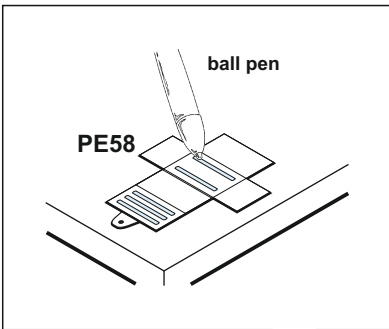


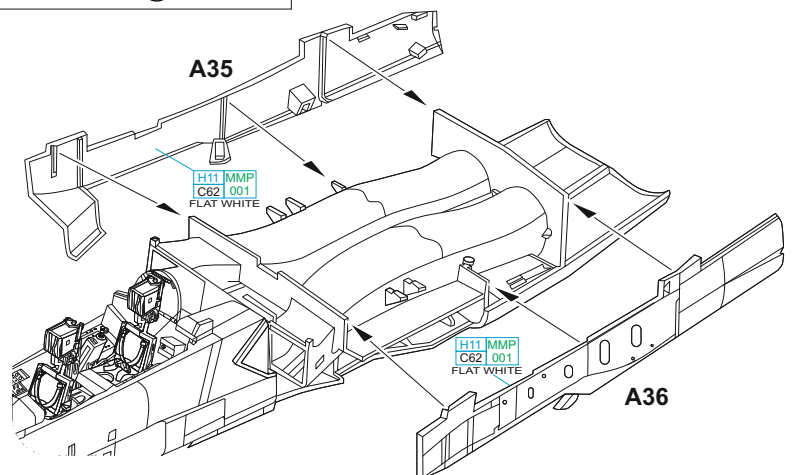
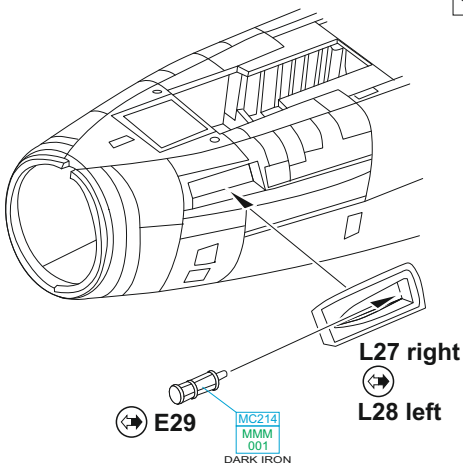
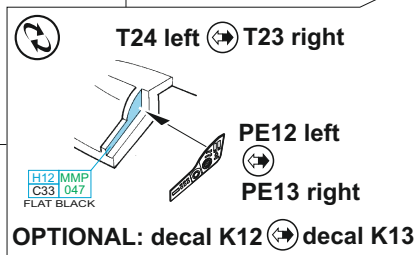
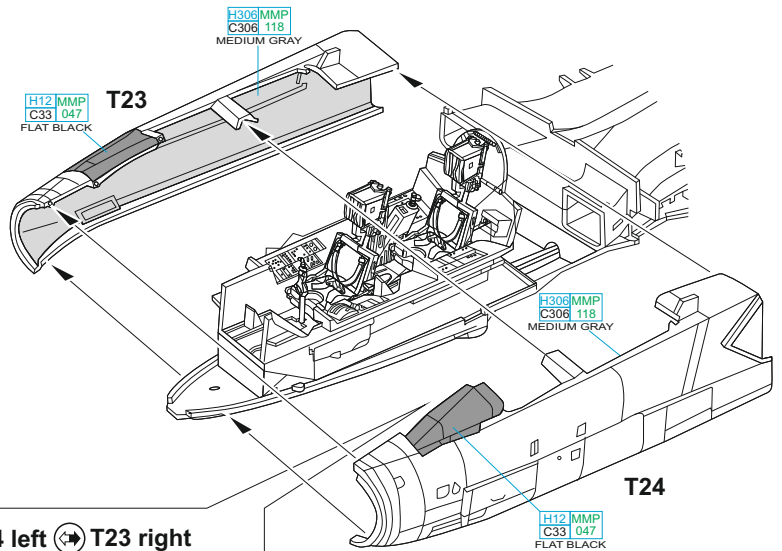
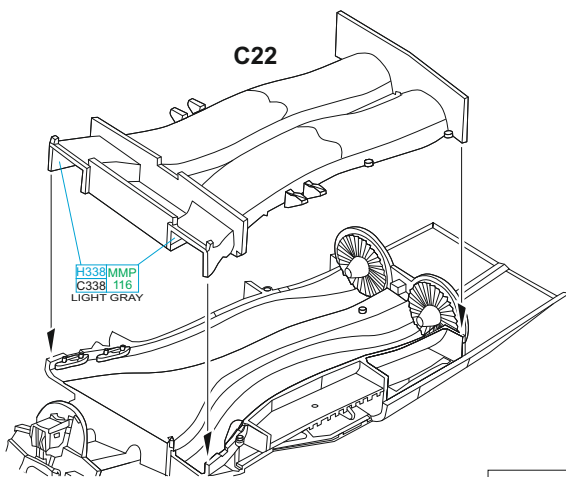
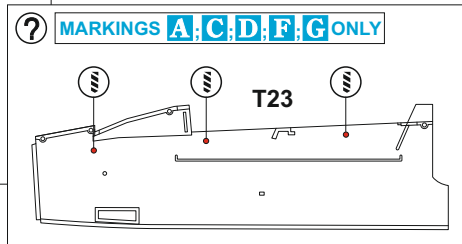
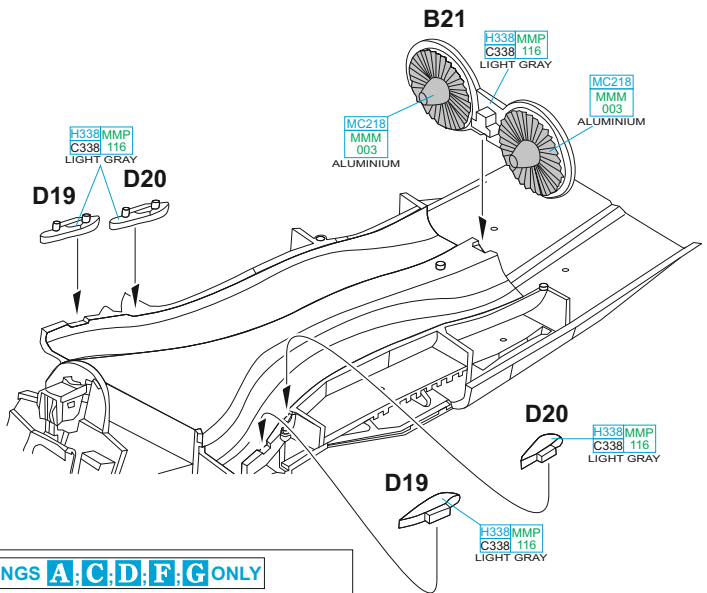
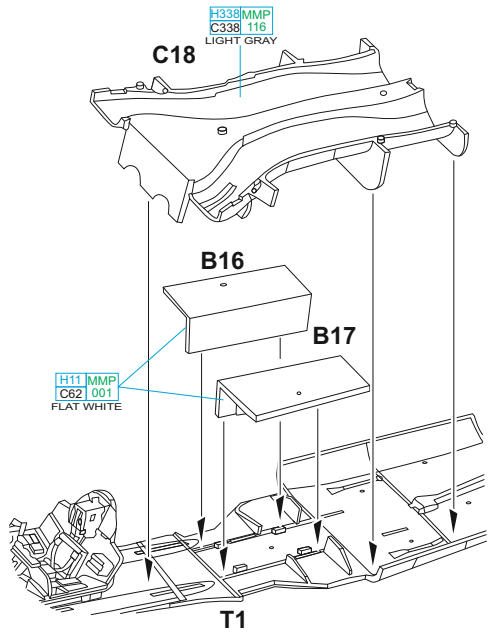
色

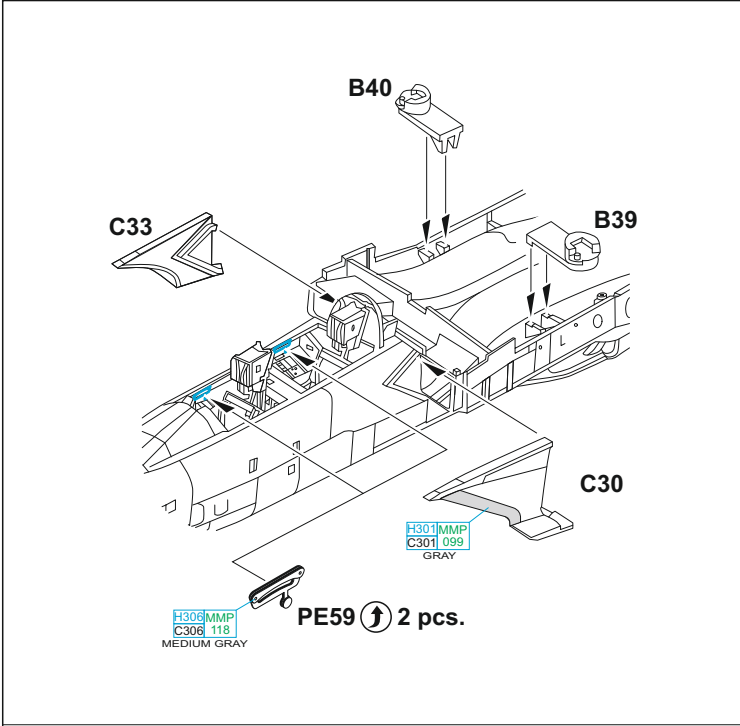
GSI Creos (GUNZE)		MISSION MODELS	
AQUEOUS	Mr.COLOR	PAINTS	
H2	C2	MMP-047	BLACK
H3	C3	MMP-003	RED
H11	C62	MMP-001	FLAT WHITE
H12	C33	MMP-047	FLAT BLACK
H44	C51		FLESH
H52	C12	MMP-091	OLIVE DRAB
H53	C13		NEUTRAL GRAY
H54	C365		NAVY BLUE
H68	C36	MMP-049	RLM74 DARK GRAY
H69	C37	MMP-066	RLM75 GRAY
H77	C137	MMP-040	TIRE BLACK
H82	C31		DARK GRAY
H90	C47		CLEAR RED
H94	C138		CLEAR GREEN
H301	C301	MMP-099	GRAY
H303	C303	MMP-066	GREEN
H305	C305	MMP-084	GRAY

GSI Creos (GUNZE)			MISSION MODELS
AQUEOUS	Mr.COLOR	PAINTS	
H306	C306	MMP-118	MEDIUM GRAY
H307	C307	MMP-074	GRAY
H308	C308	MMP-073	GRAY
H309	C309	MMP-031	GREEN
H317	C317	MMP-064	GRAY
H331	C331		DARK SEAGRAY
H334	C334	MMP-102	BARLEY GRAY
H338	C338	MMP-116	LIGHT GRAY
H421	C121	MMP-052	BROWN VIOLET
Mr.METAL COLOR		METALLICS	
MC211			CHROME SILVER
MC213		MMM-006	STAINLESS
MC214		MMM-001	DARK IRON
MC218		MMM-001	ALUMINIUM
Mr.COLOR SUPER METALLIC		METALLICS	
SM201		MMC-001	SUPER FINE SILVER

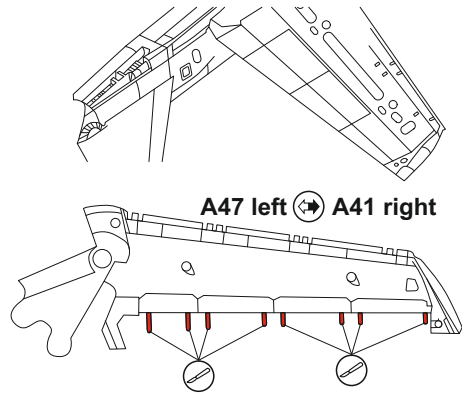




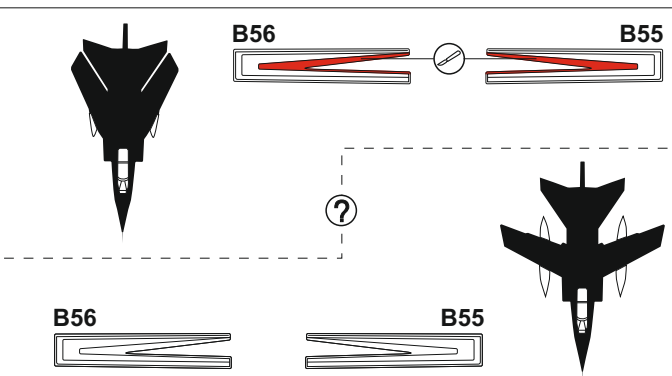
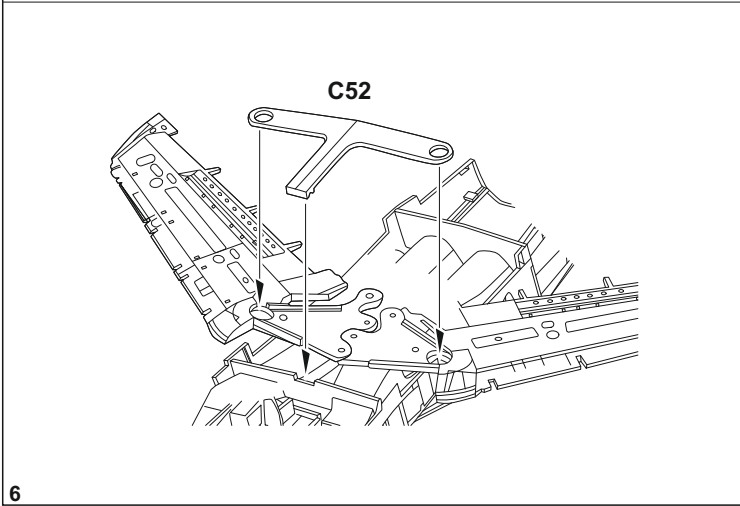
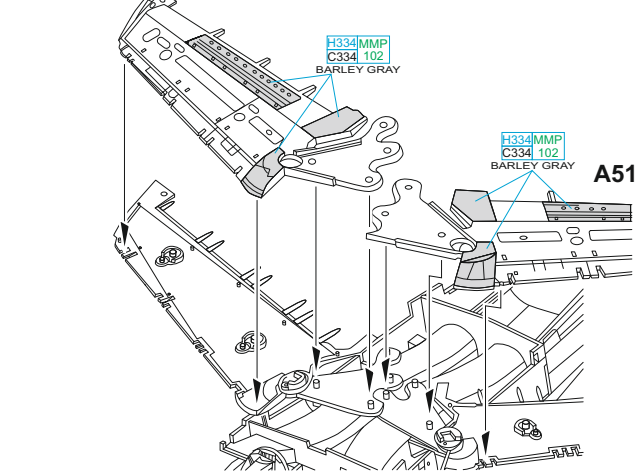
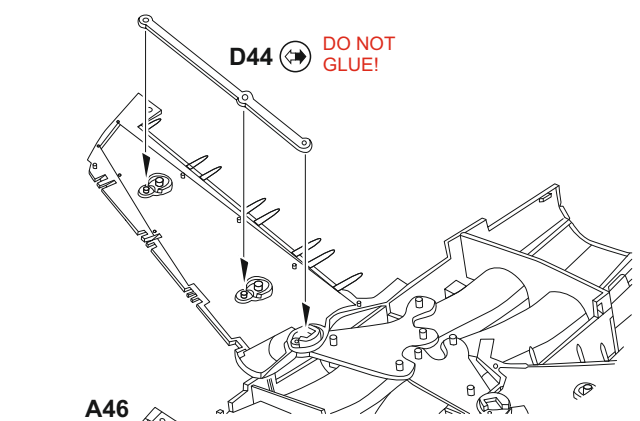
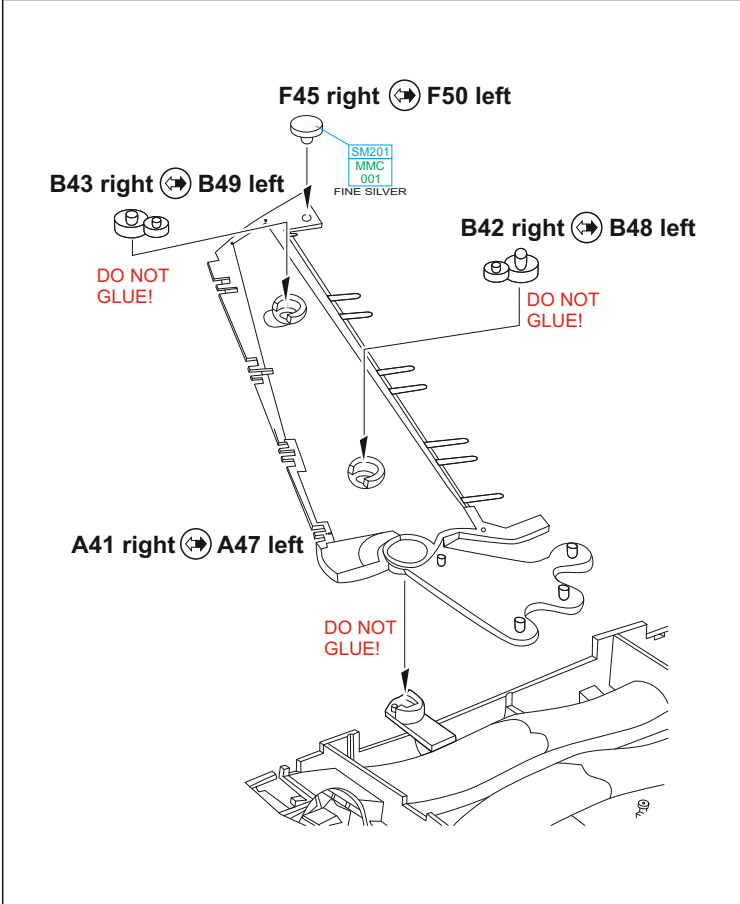
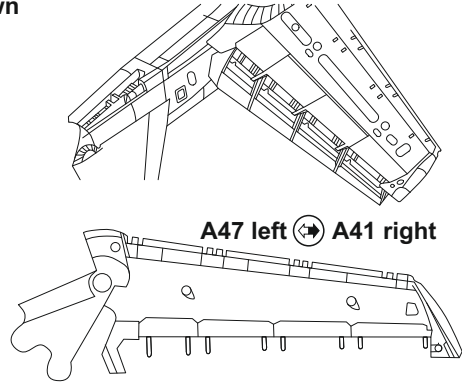


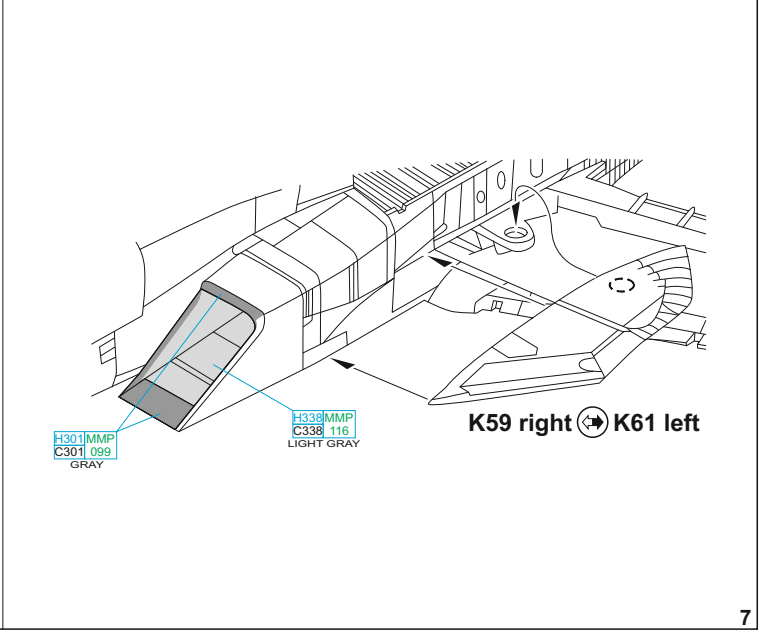
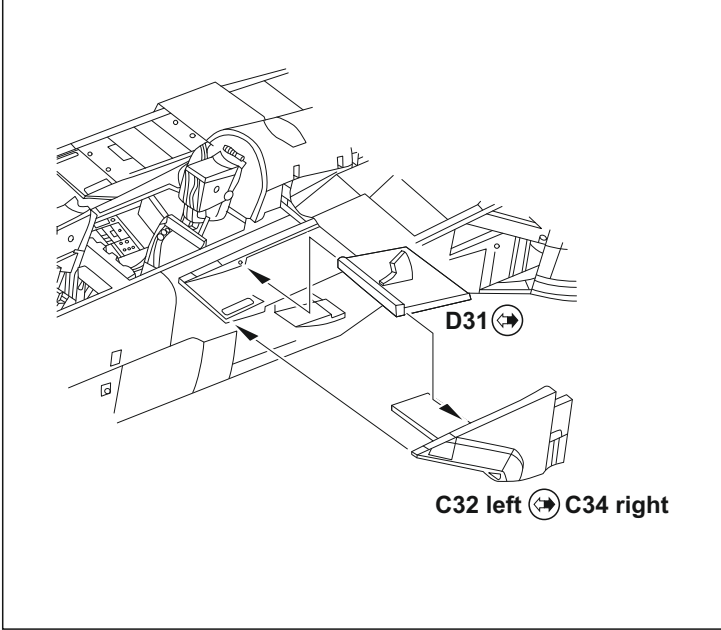
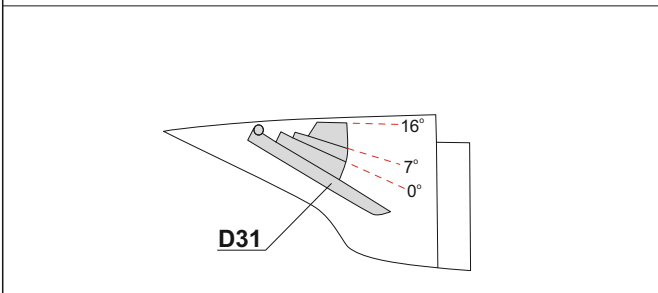
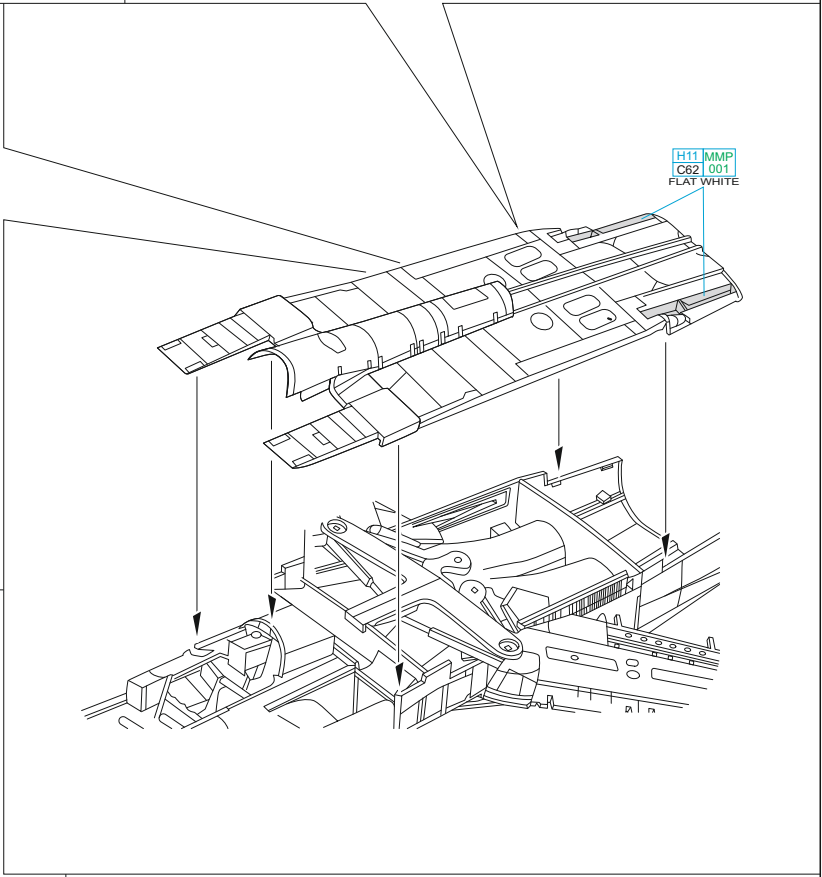
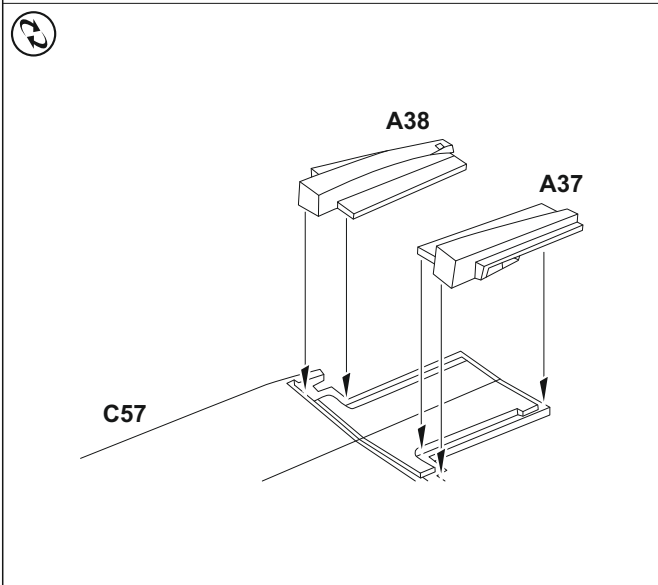
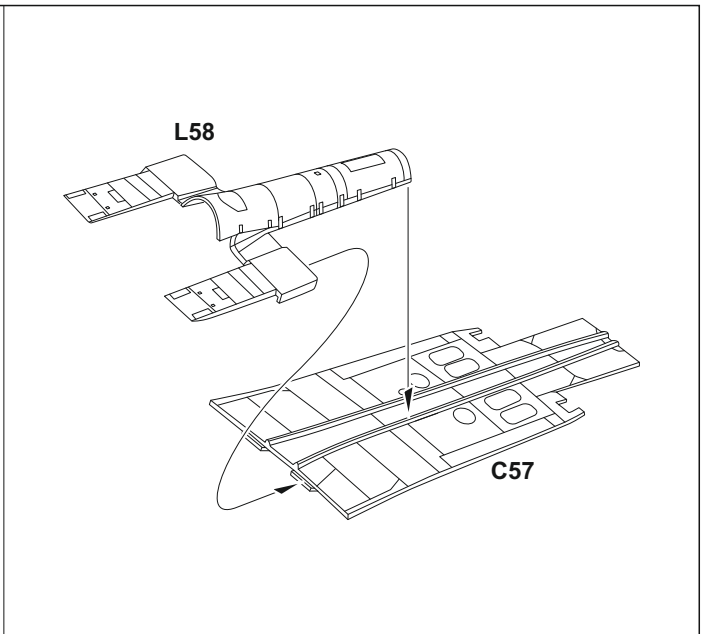
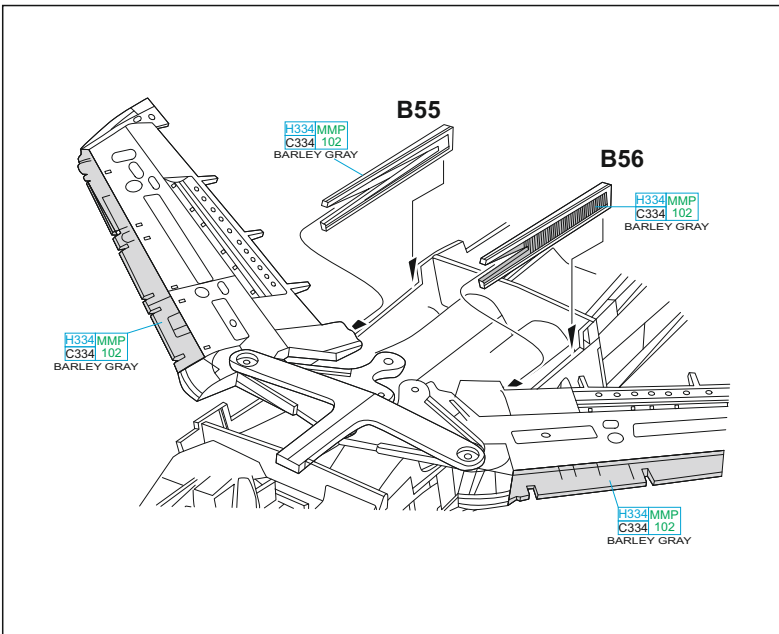


Flaps up



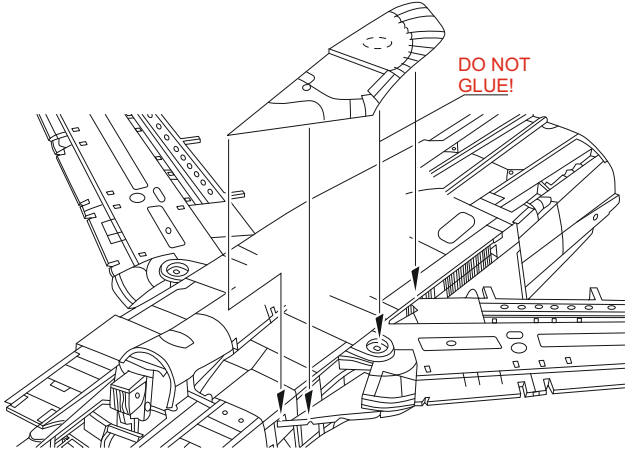
Flaps down



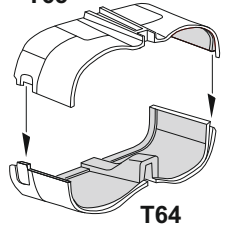


K62 left ↔ K60 right

DO NOT
GLUE!



T65



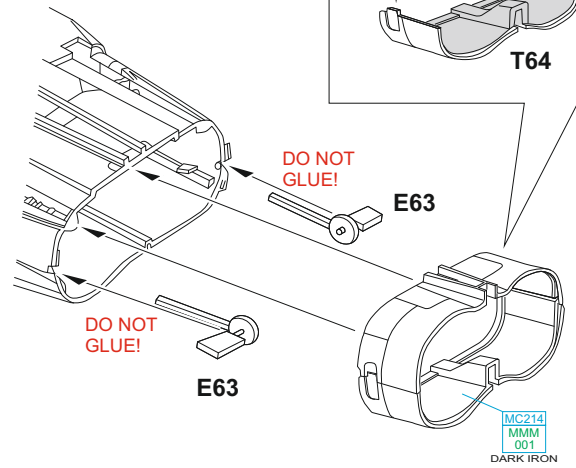
T64

DO NOT
GLUE!

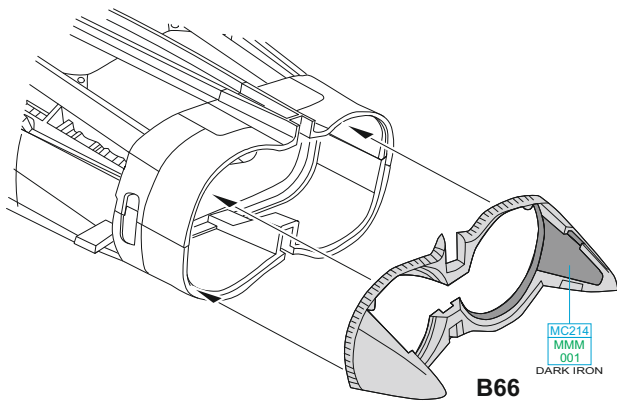
E63

DO NOT
GLUE!

E63



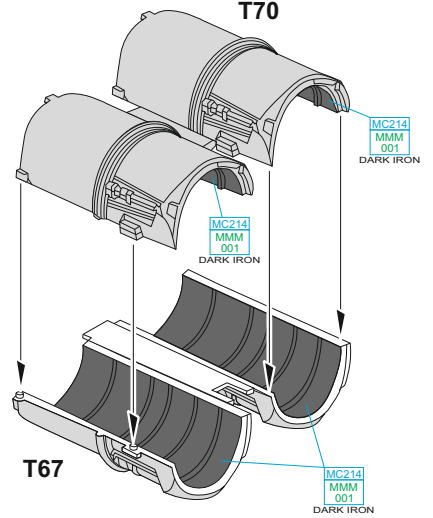
MC214
MMM
001
DARK IRON



B66

MC214
MMM
001
DARK IRON

T70

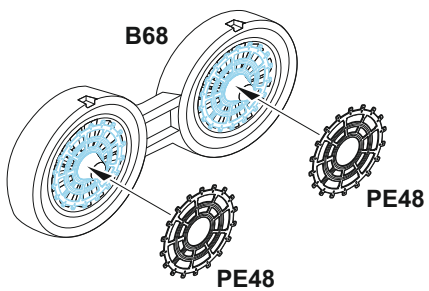


MC214
MMM
001
DARK IRON

MC214
MMM
001
DARK IRON

T67

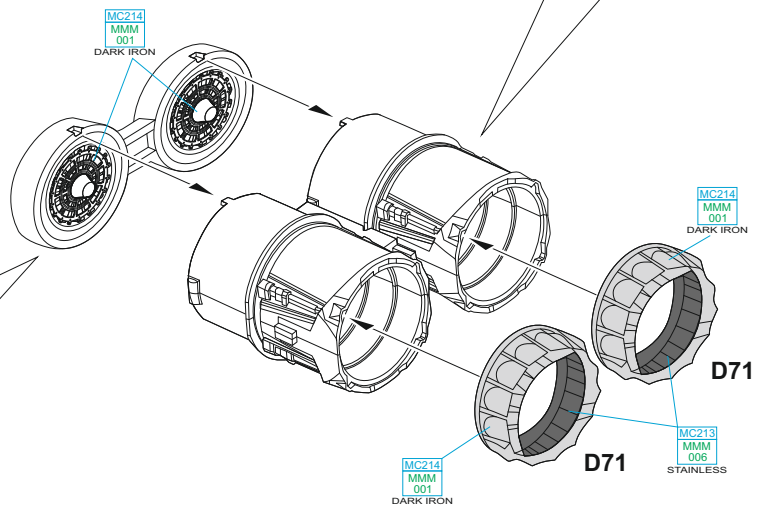
MC214
MMM
001
DARK IRON



B68

PE48

PE48



MC214
MMM
001
DARK IRON

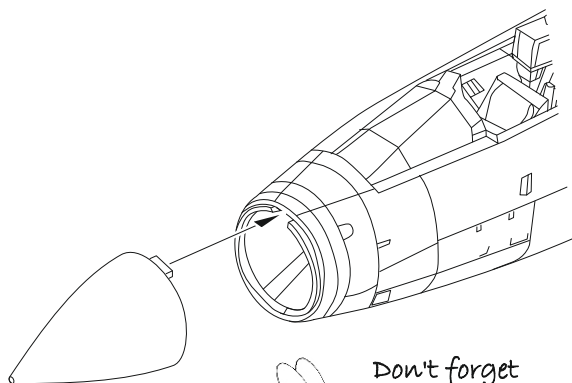
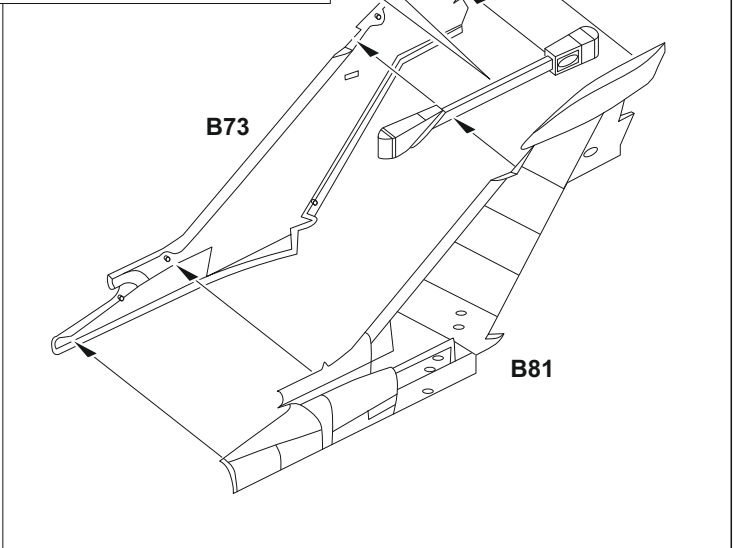
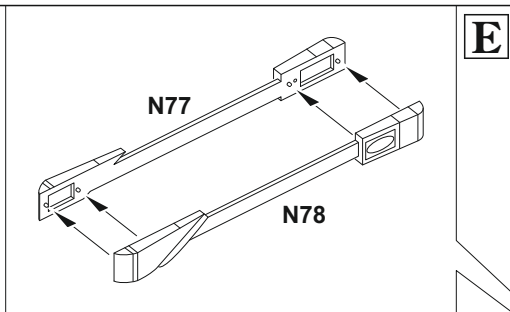
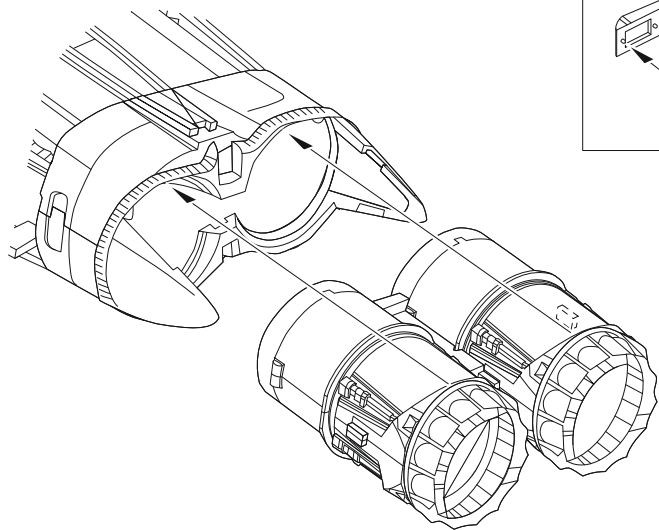
MC214
MMM
001
DARK IRON

D71

MC214
MMM
001
DARK IRON

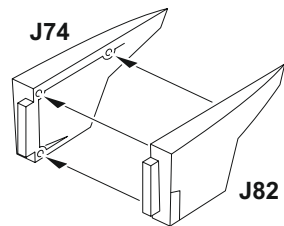
D71

MC213
MMM
005
STAINLESS

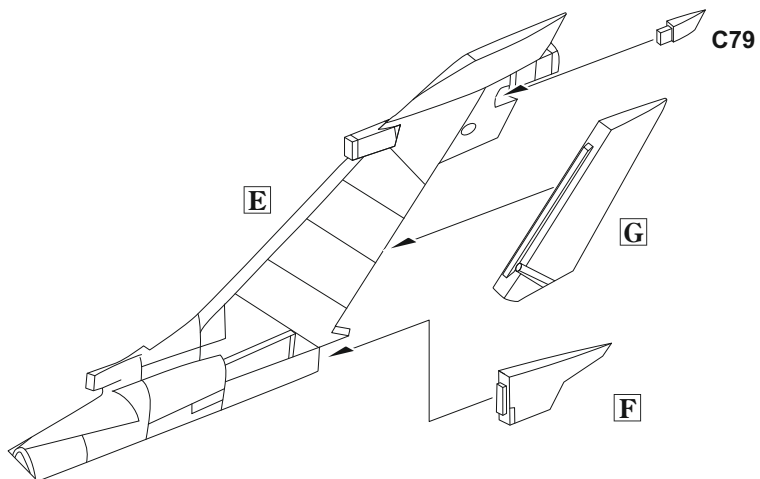
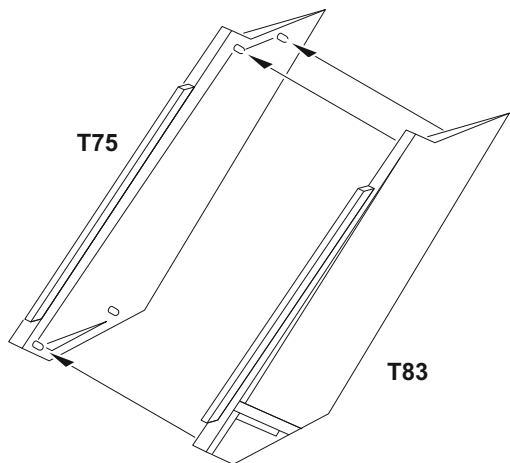


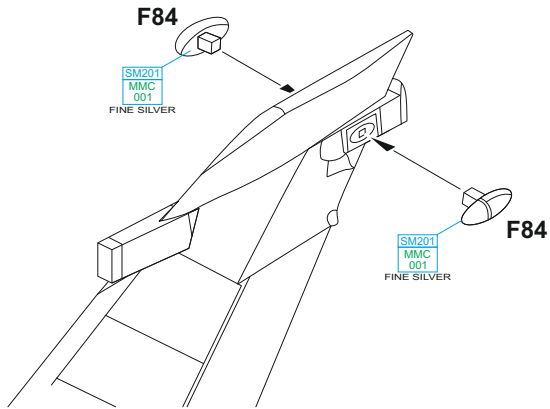
Don't forget
to add the nose
weight balance!

F

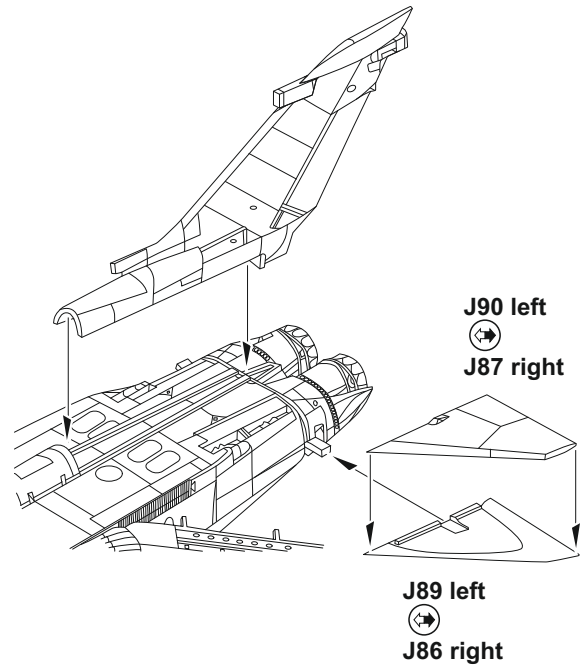
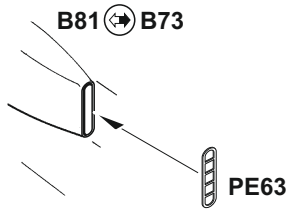


G

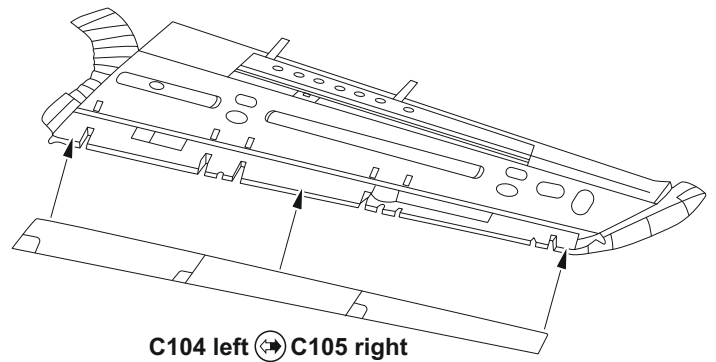




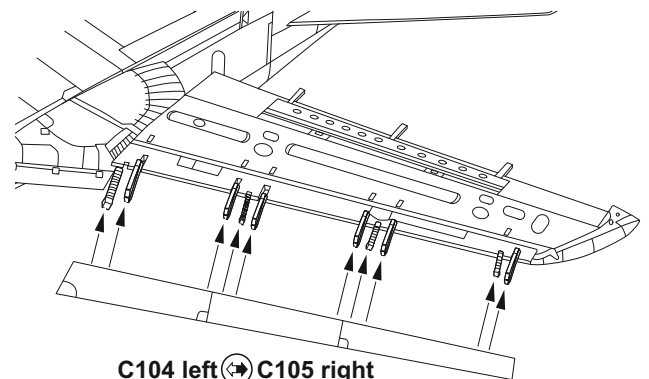
H 2 pcs.



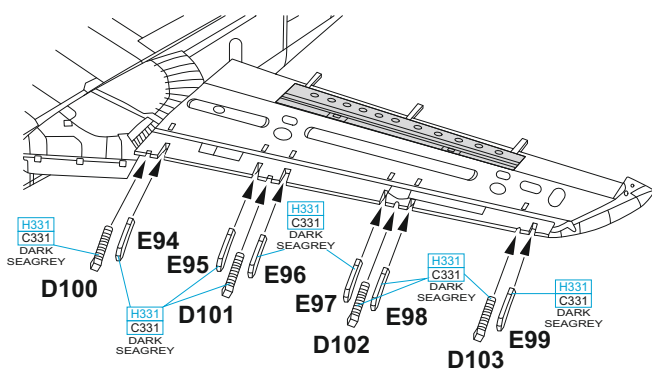
Slats up

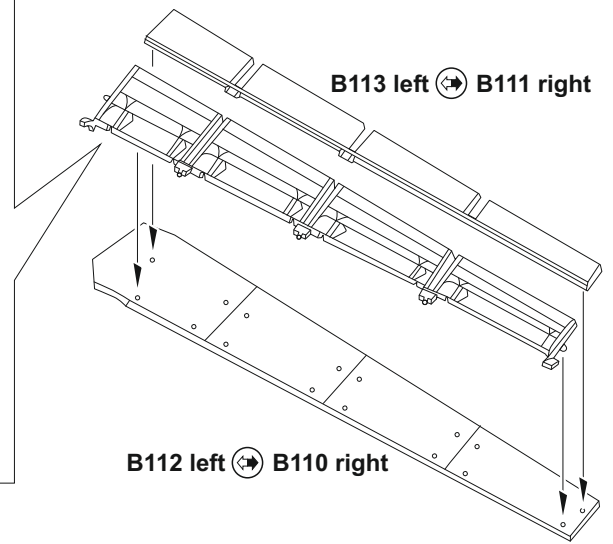
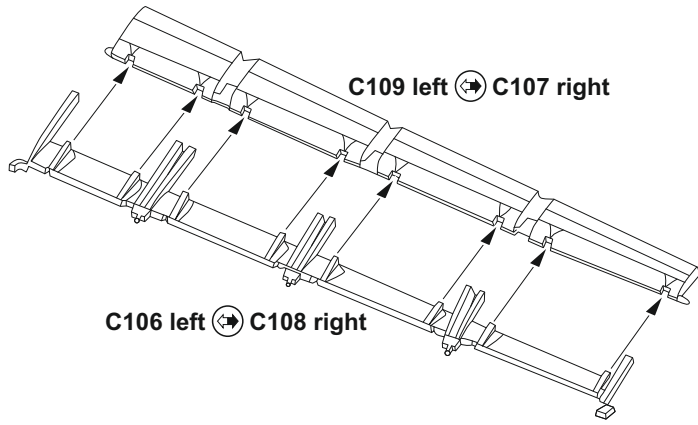


?

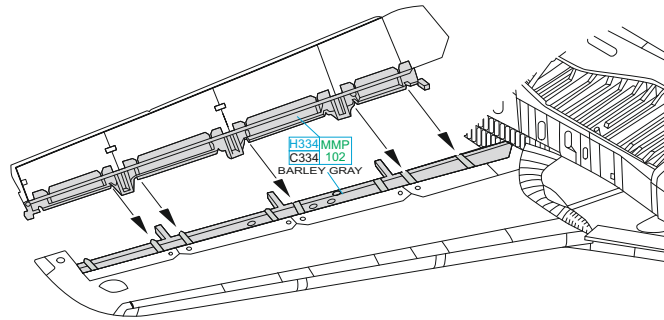


Slats down

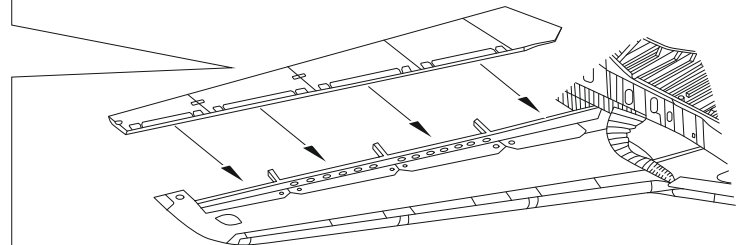
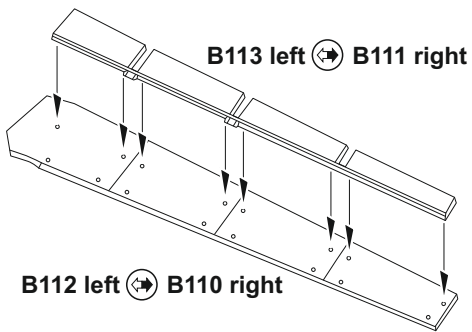




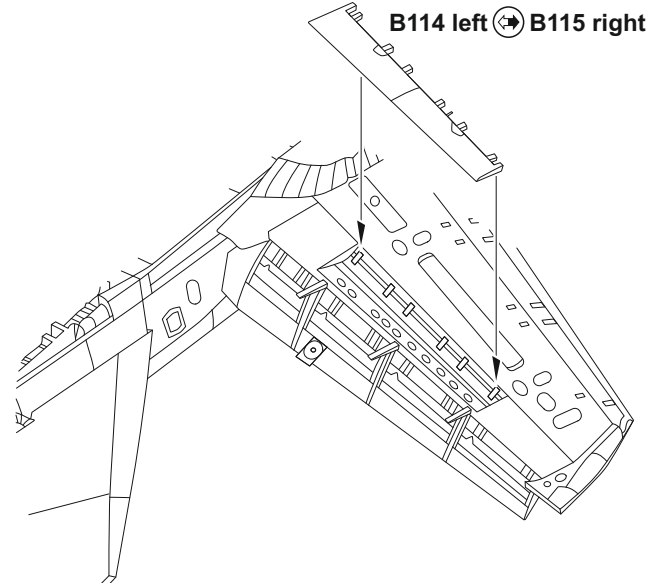
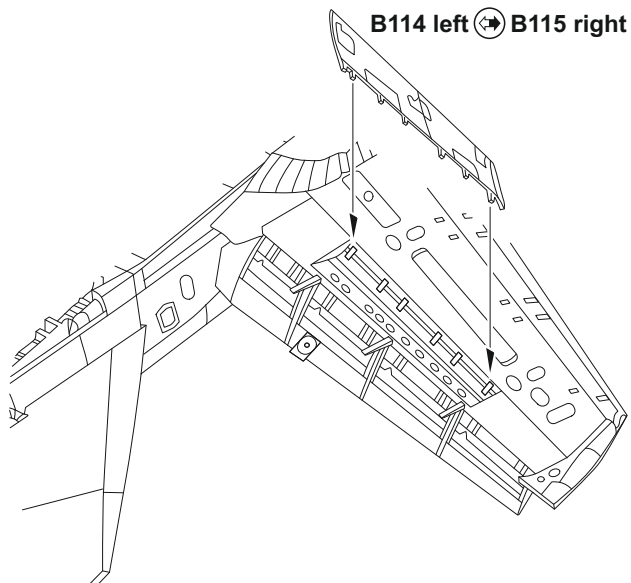
Flaps down



Flaps up



?

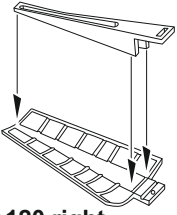


?

J

A37 right

A38 left



A120 right

A118 left



D117

J

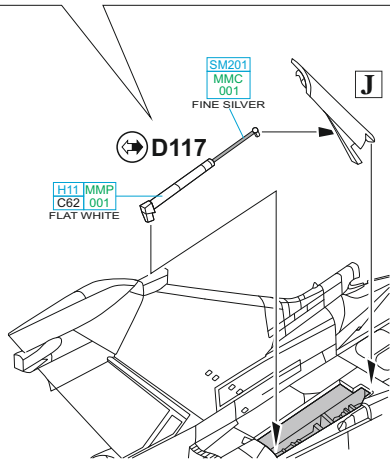
**H338 MMP
C338 116
LIGHT GRAY**

**SM201
MMC
001
FINE SILVER**

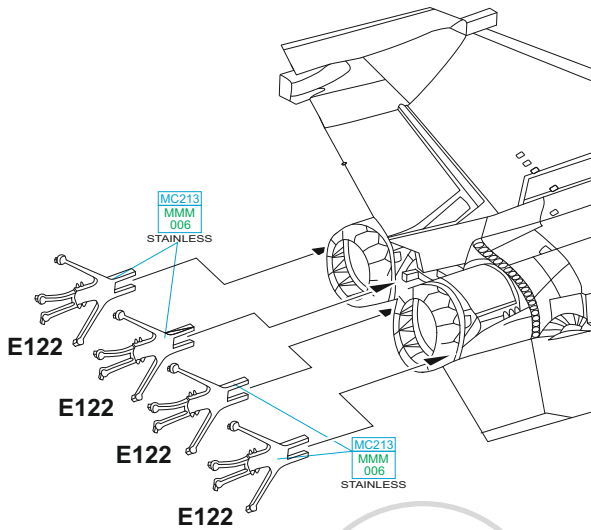
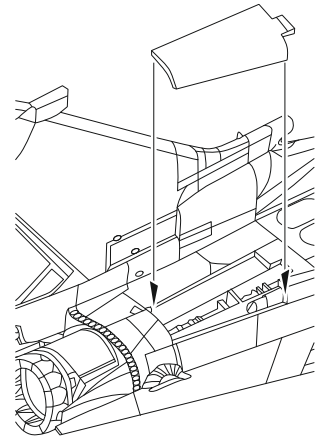
J

D117

**H11 MMP
C62 001
FLAT WHITE**



A120 right **A118 left**



**MC213
MMM
006
STAINLESS**

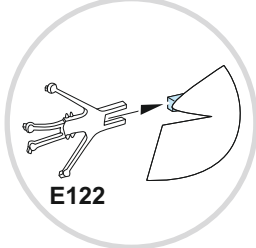
E122

E122

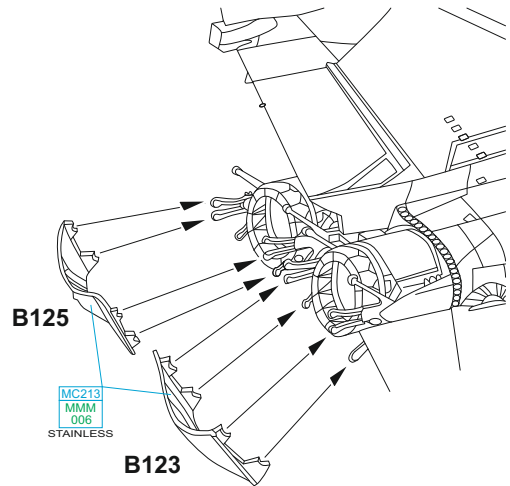
E122

E122

**MC213
MMM
006
STAINLESS**



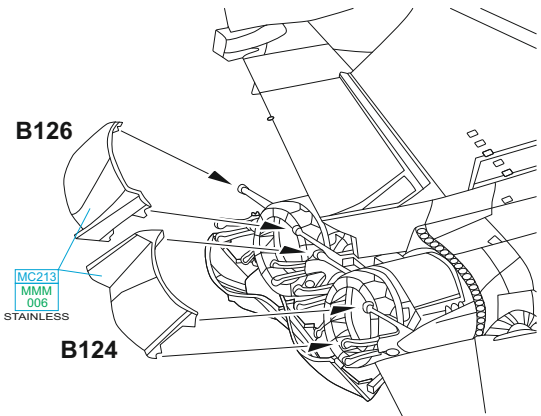
E122



B125

**MC213
MMM
006
STAINLESS**

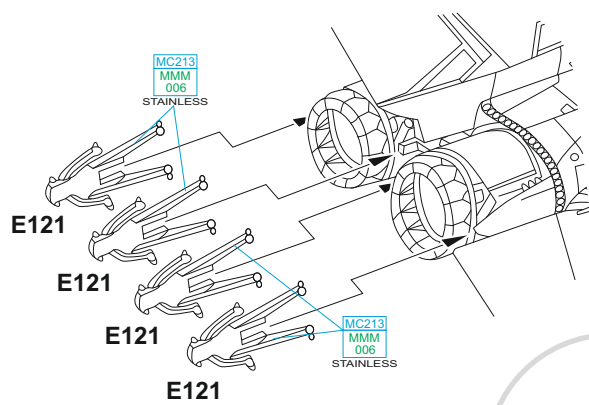
B123



B126

**MC213
MMM
006
STAINLESS**

B124



**MC213
MMM
006
STAINLESS**

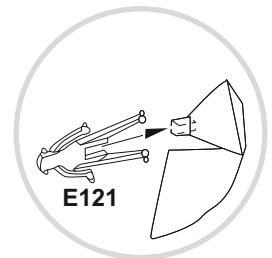
E121

E121

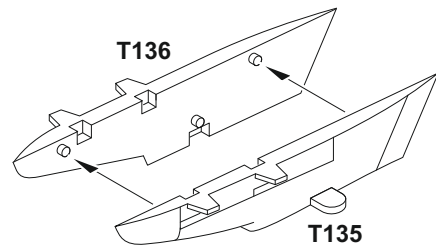
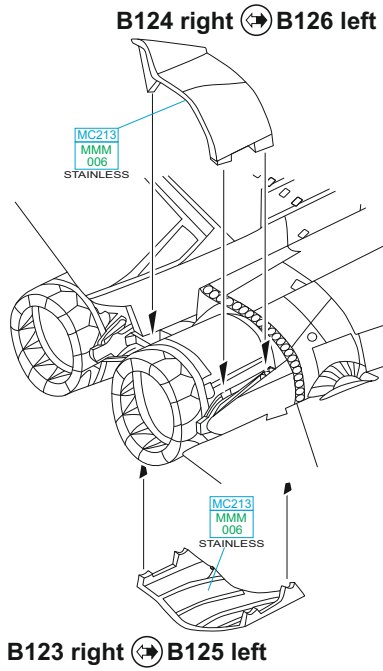
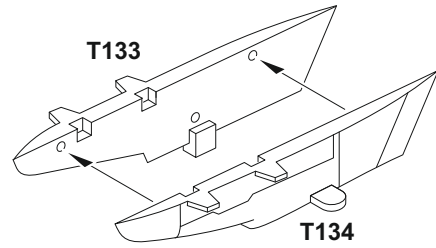
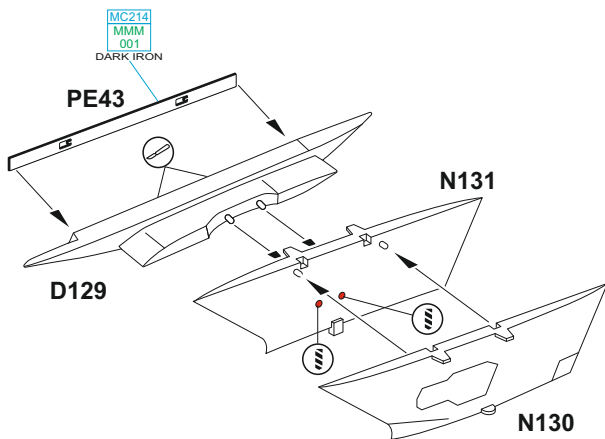
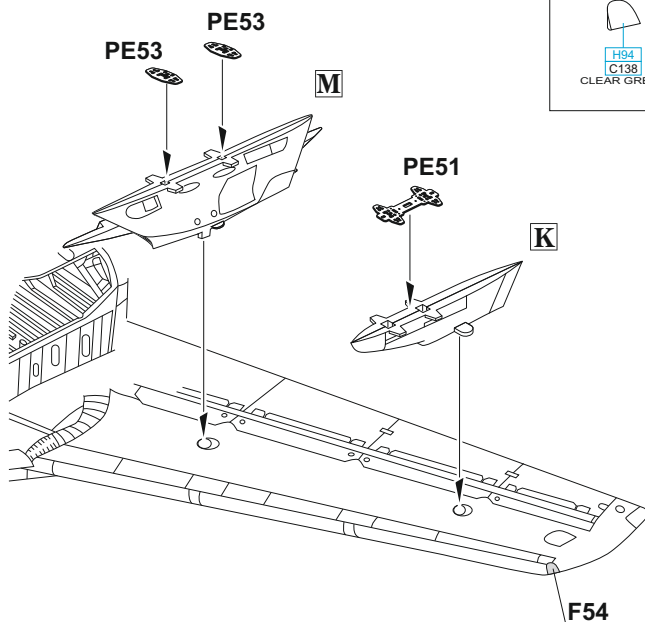
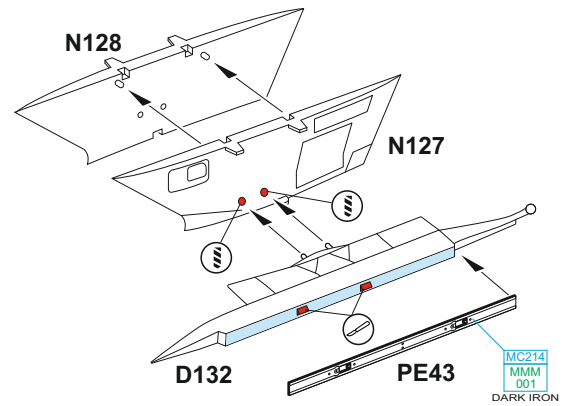
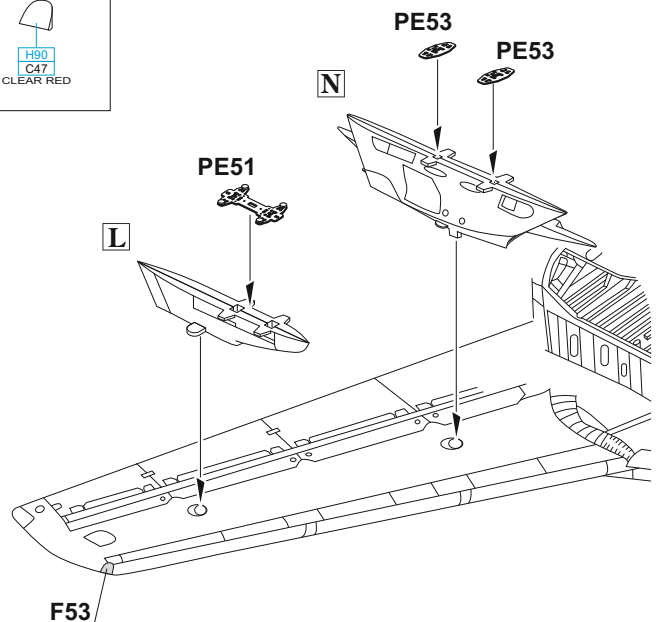
E121

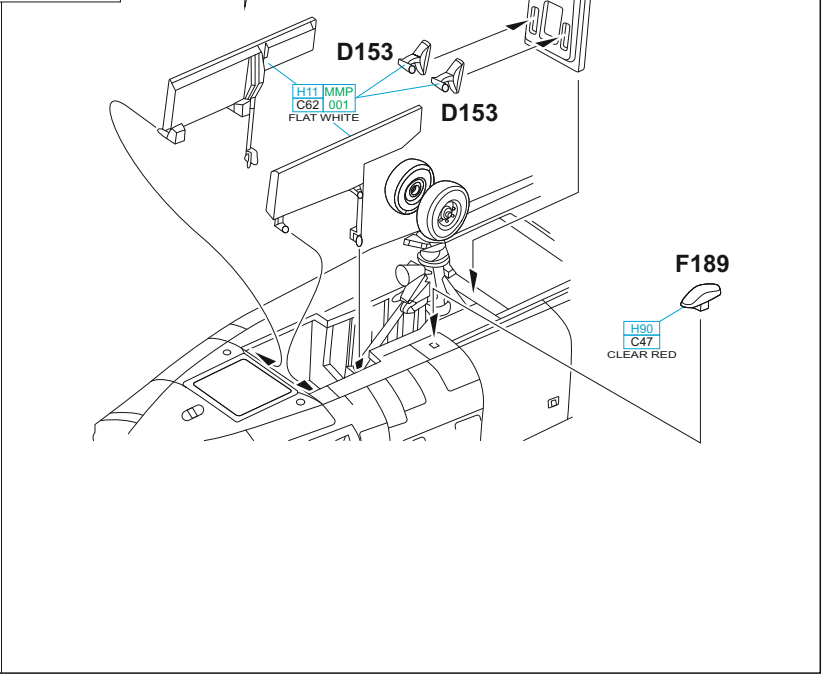
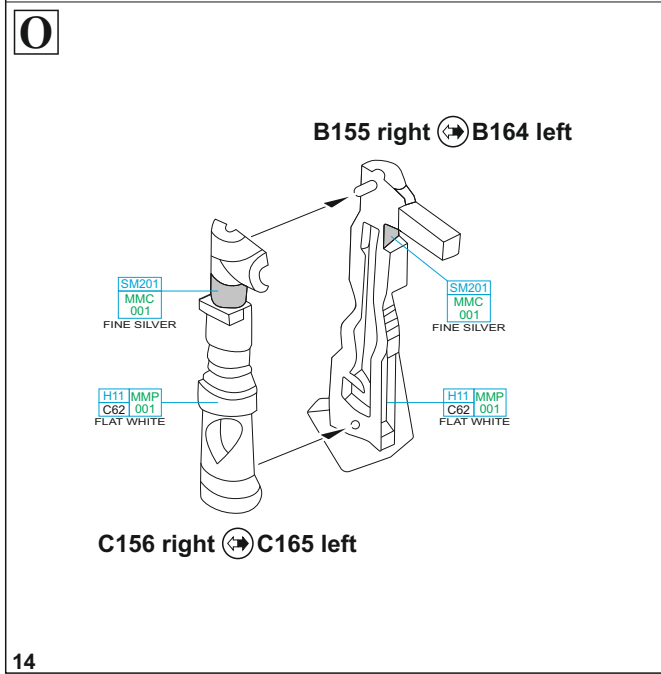
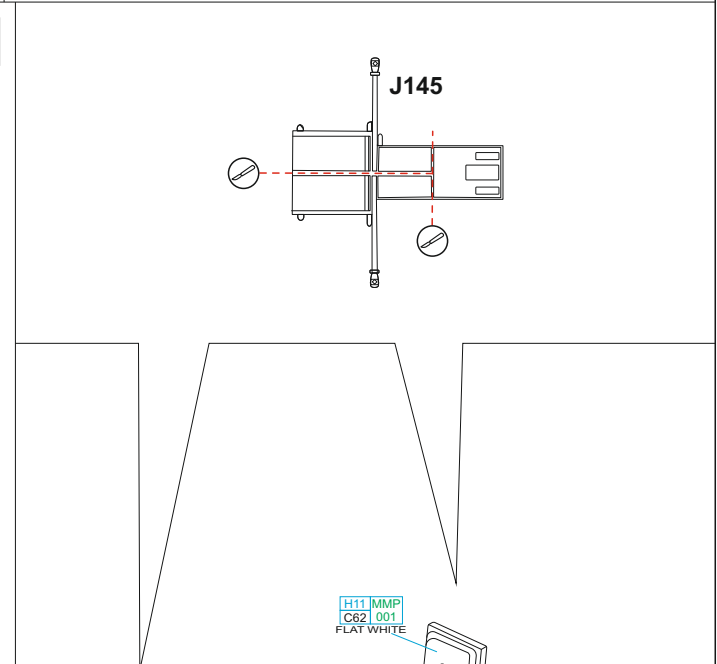
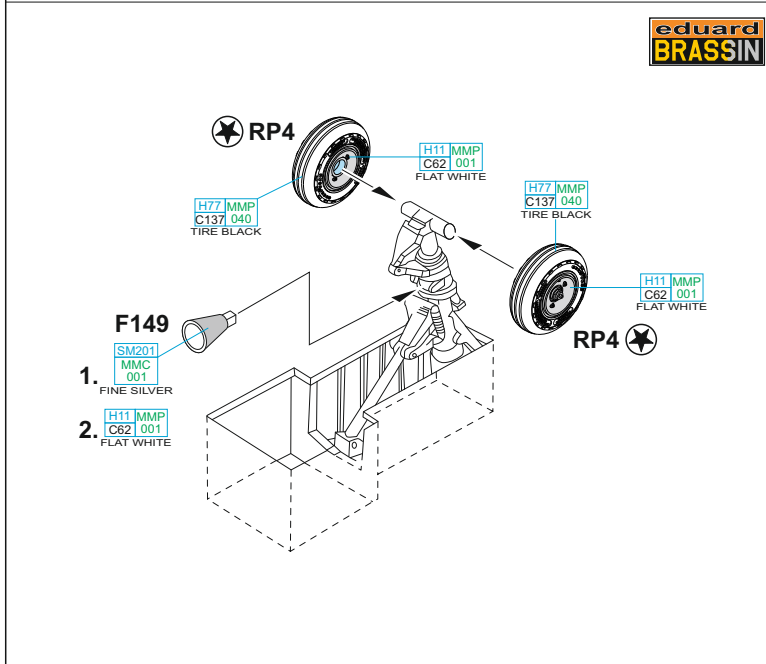
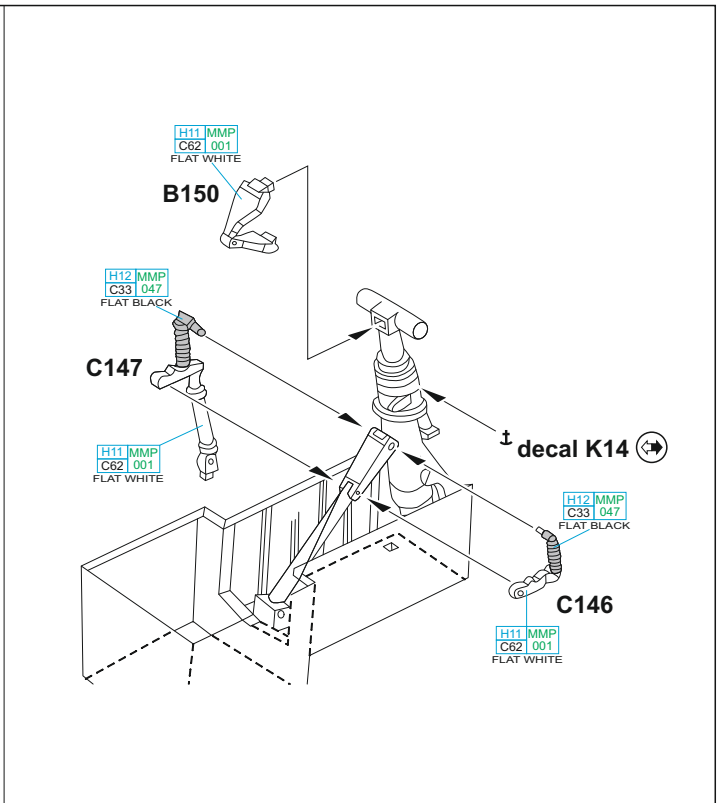
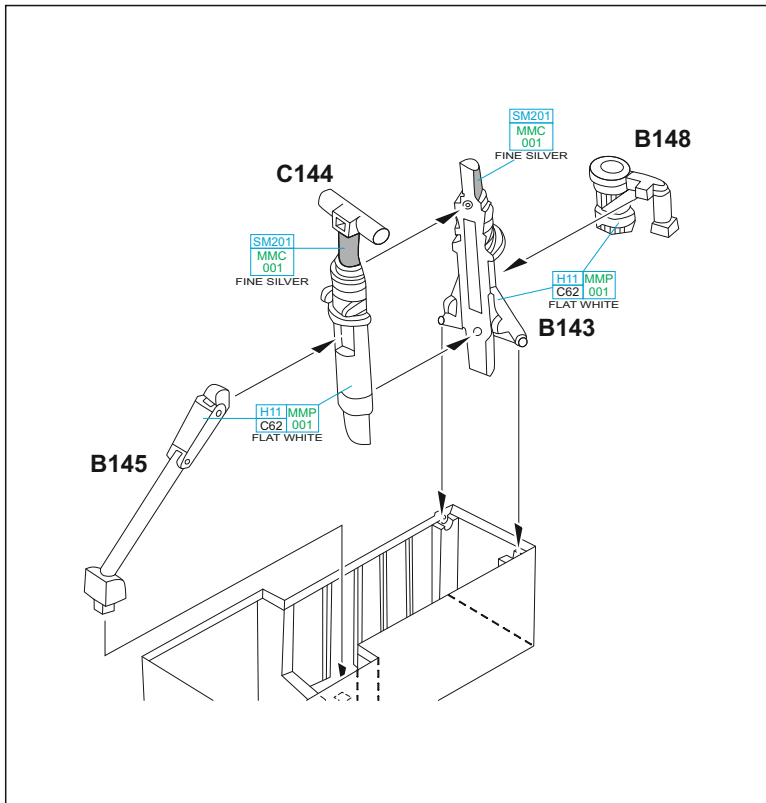
E121

**MC213
MMM
006
STAINLESS**



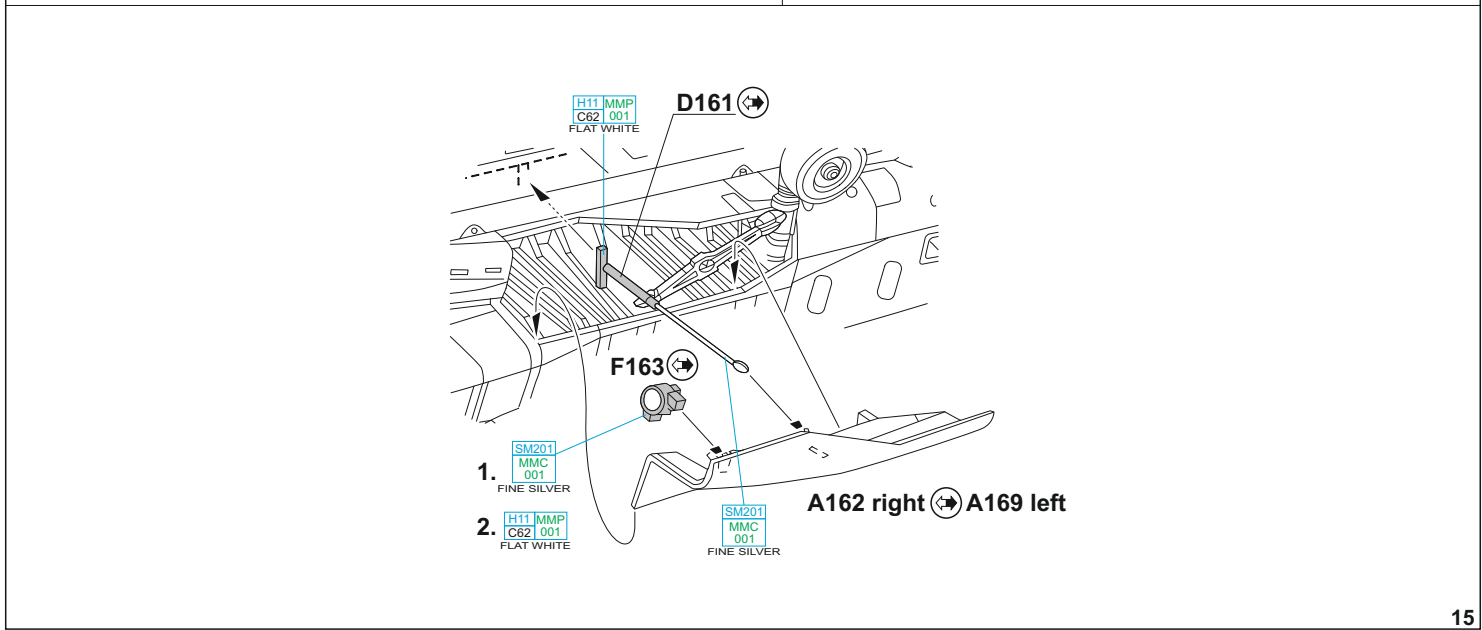
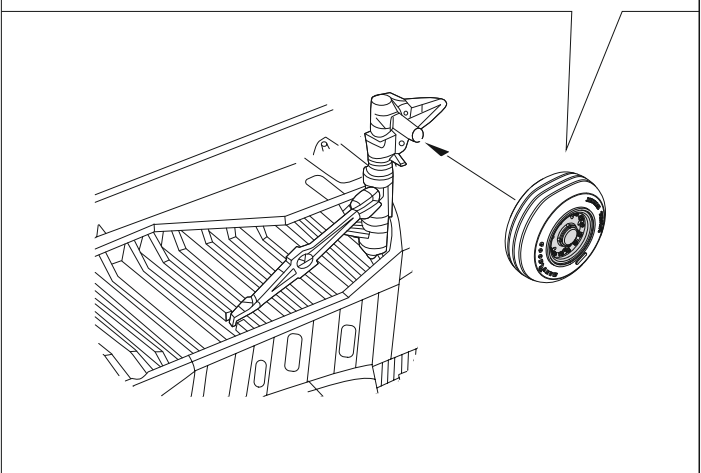
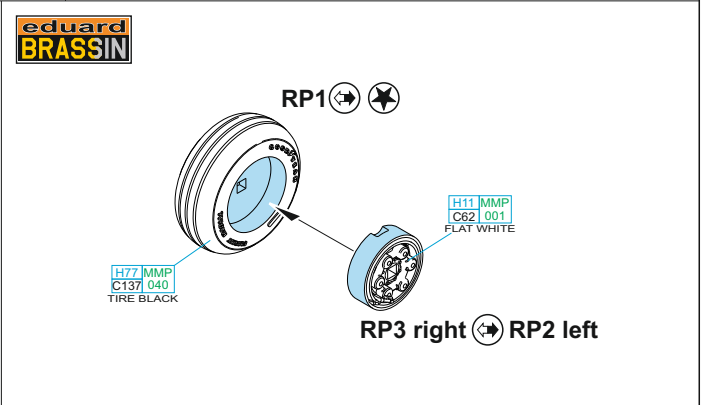
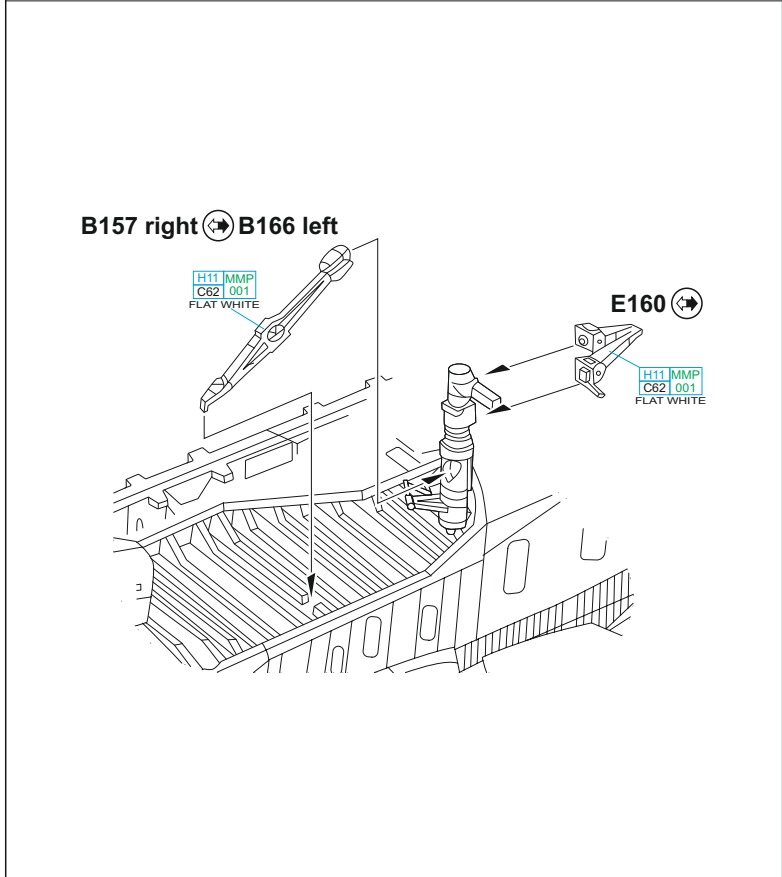
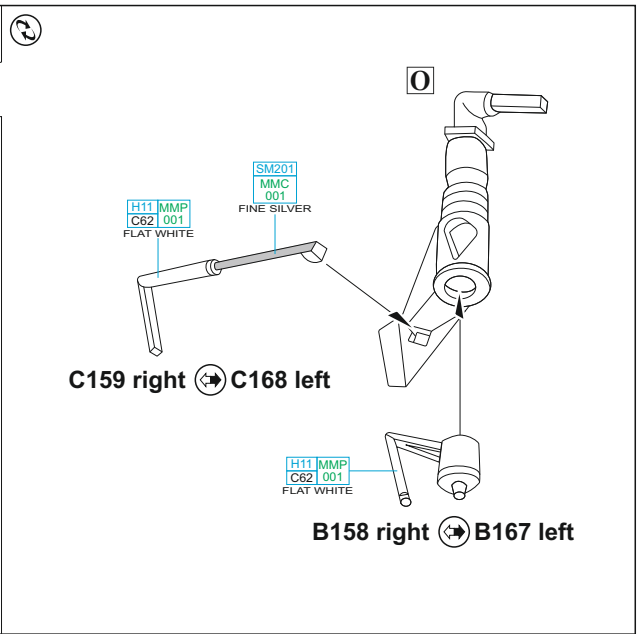
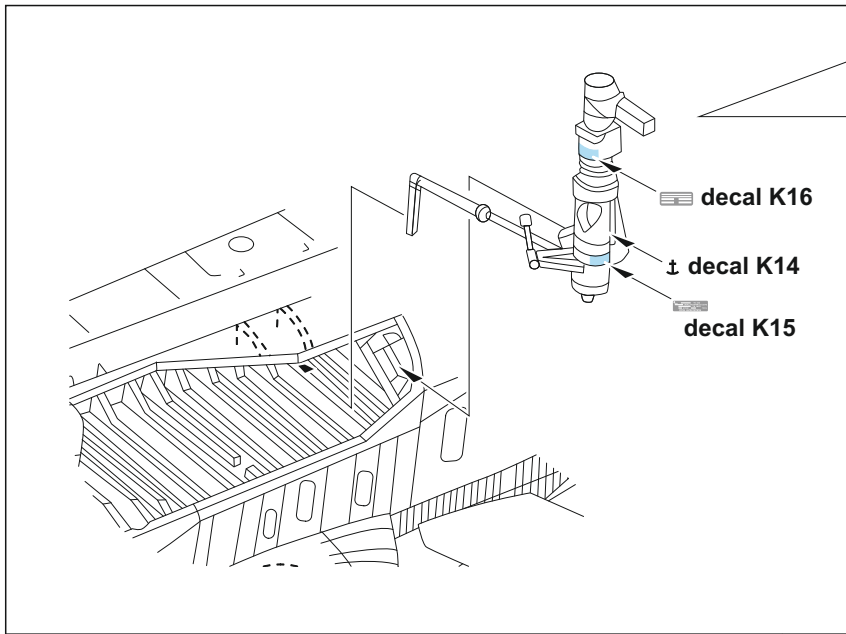
E121

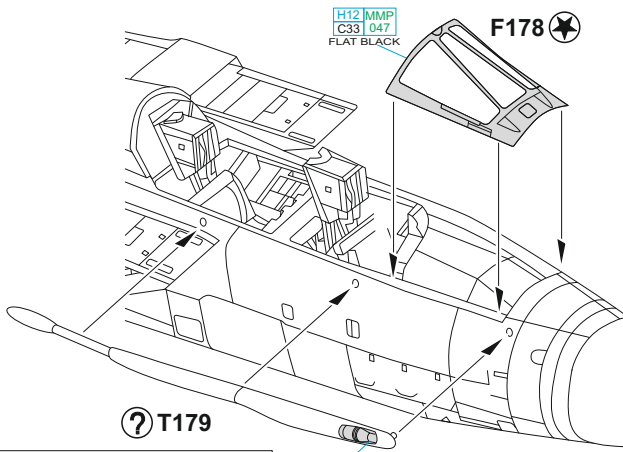
K**L****M****N****F54****F53**



eduard
BRASSIN

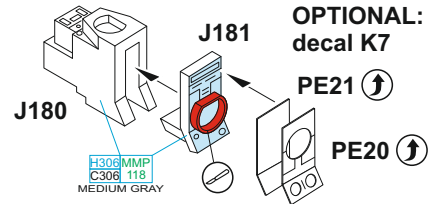
O



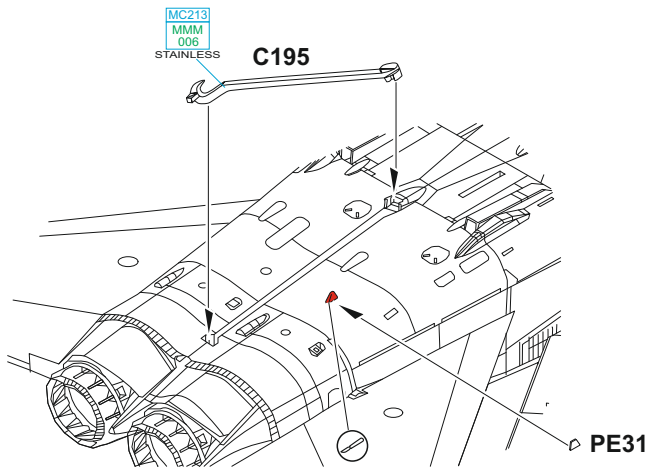
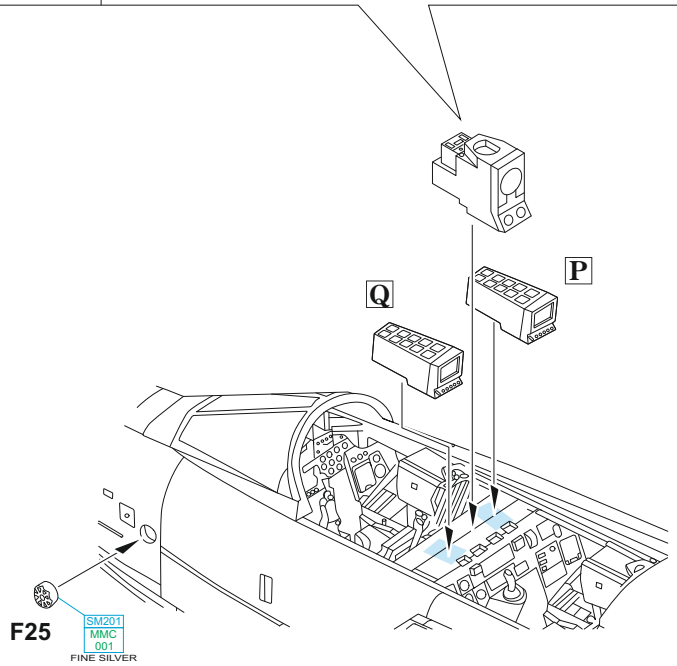
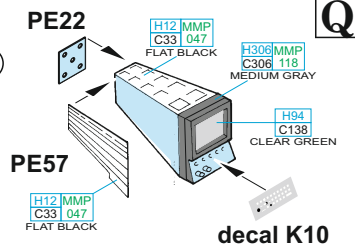
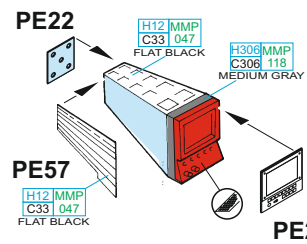
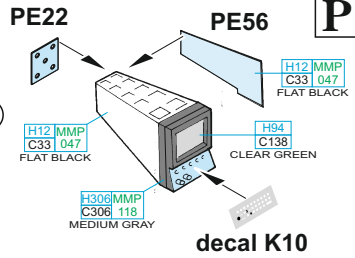
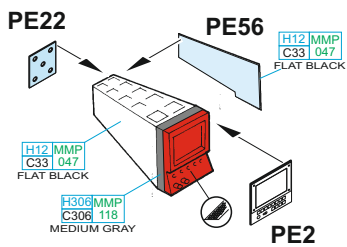
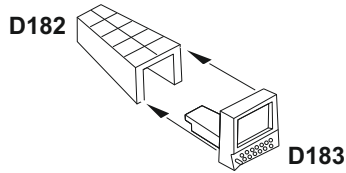


T179 - MARKINGS **A, C, D, F, G** ONLY

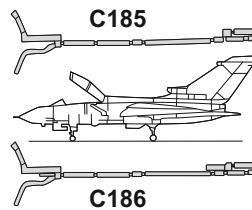
SM201
MMC
001
FINE SILVER



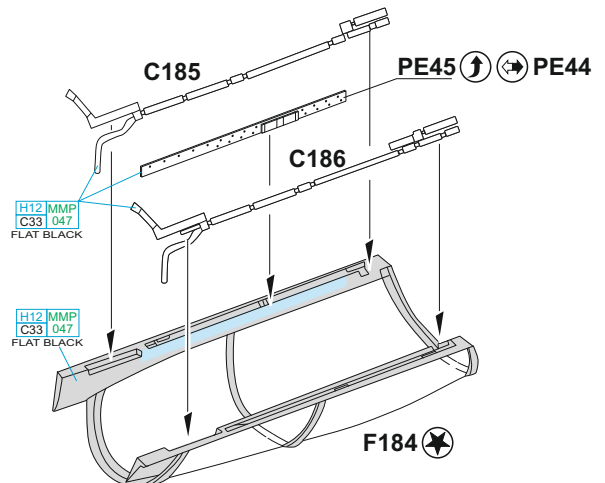
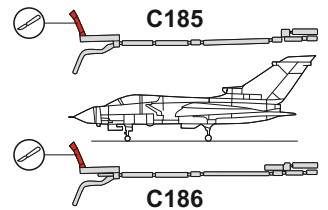
2 pcs.

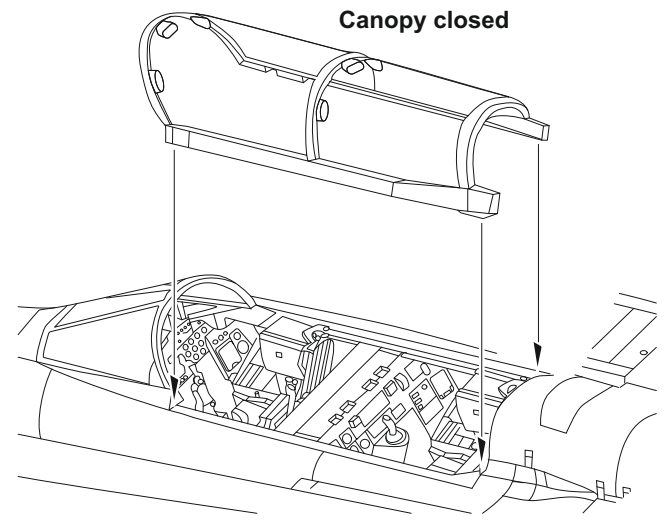
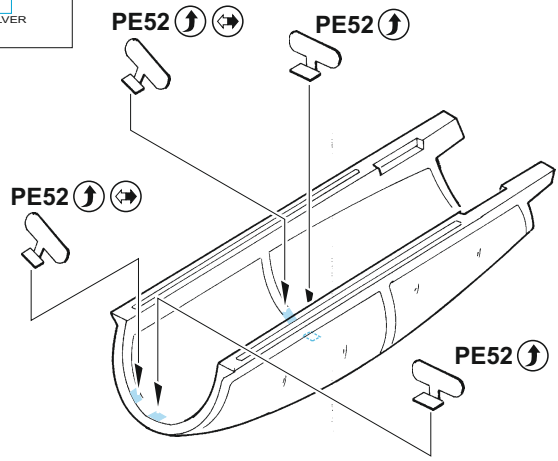
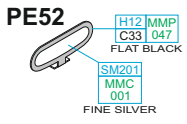


OPEN CANOPY



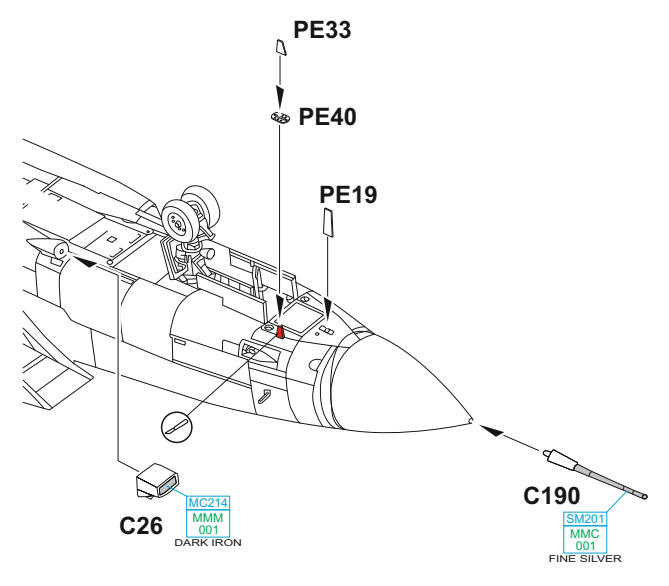
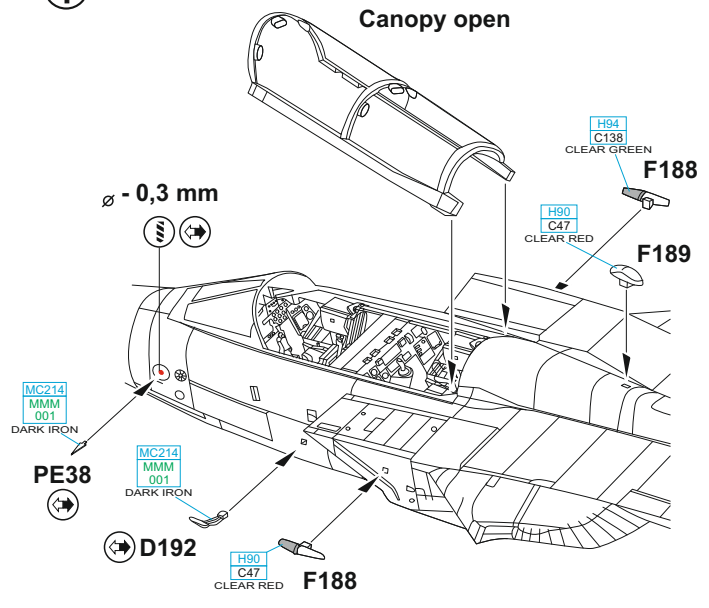
CLOSED CANOPY



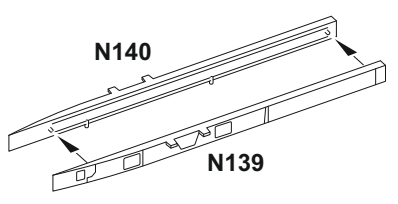


?

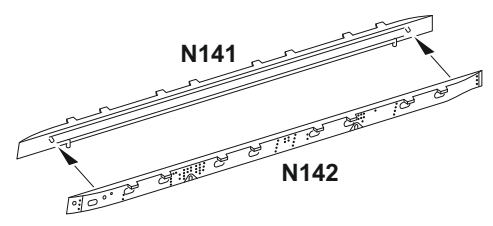
Canopy open



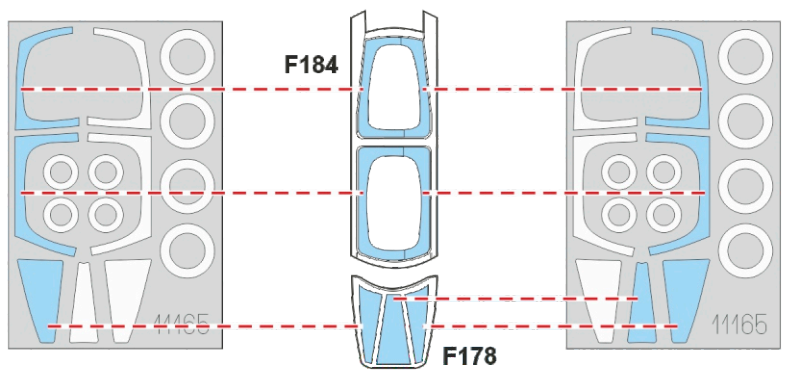
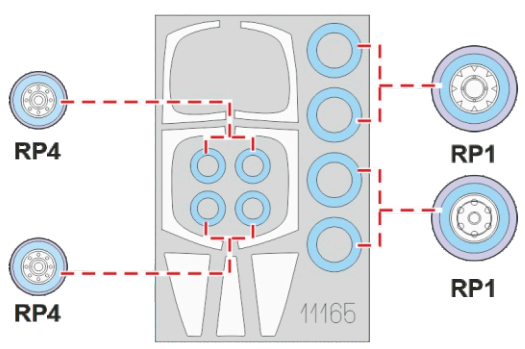
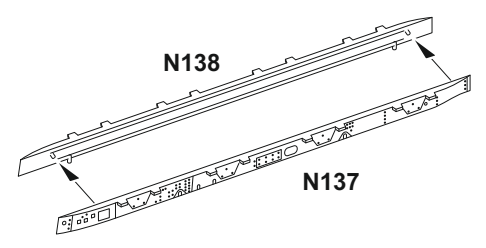
R ?



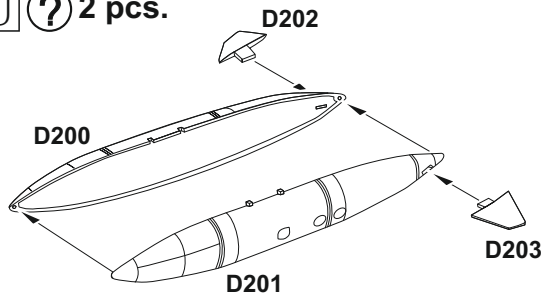
S



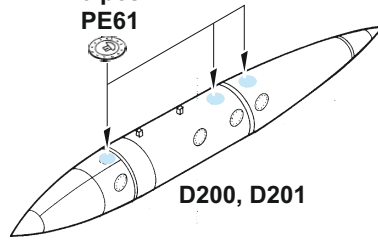
T



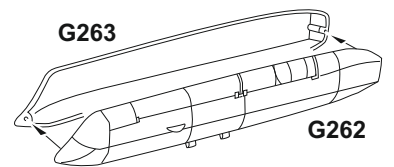
U ? 2 pcs.



3 pcs
PE61

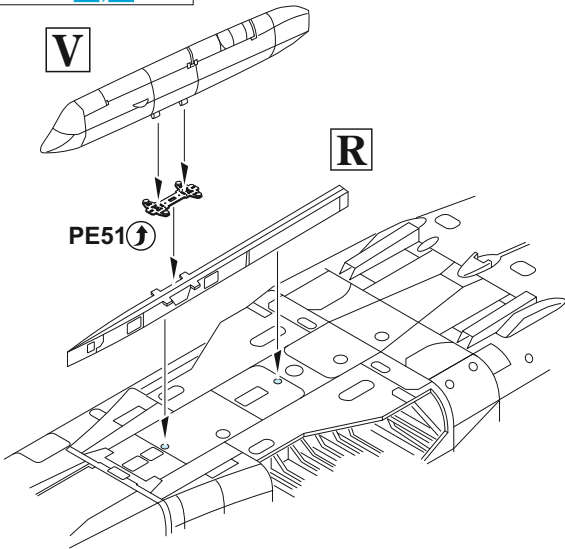


V MARKINGS C, F ONLY



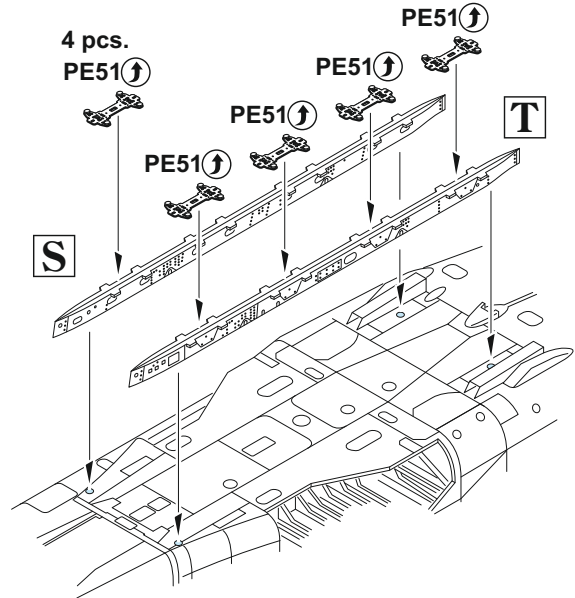
? MARKINGS C, F ONLY

V

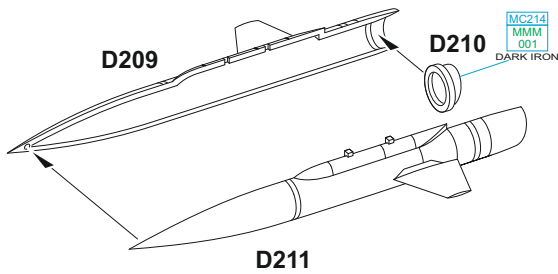


?

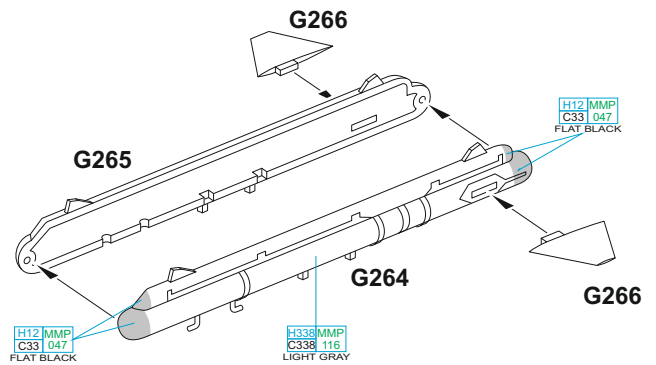
4 pcs.
PE51



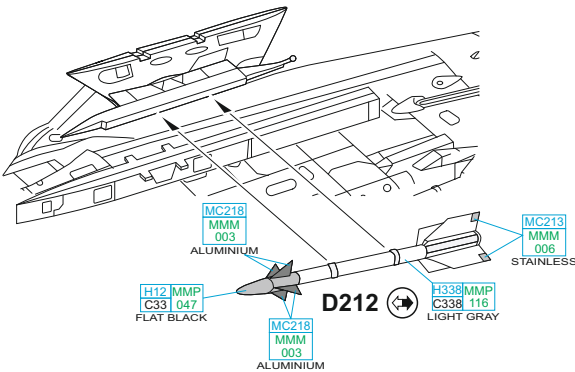
W ? 2 pcs.



X ? MARKINGS E, F ONLY

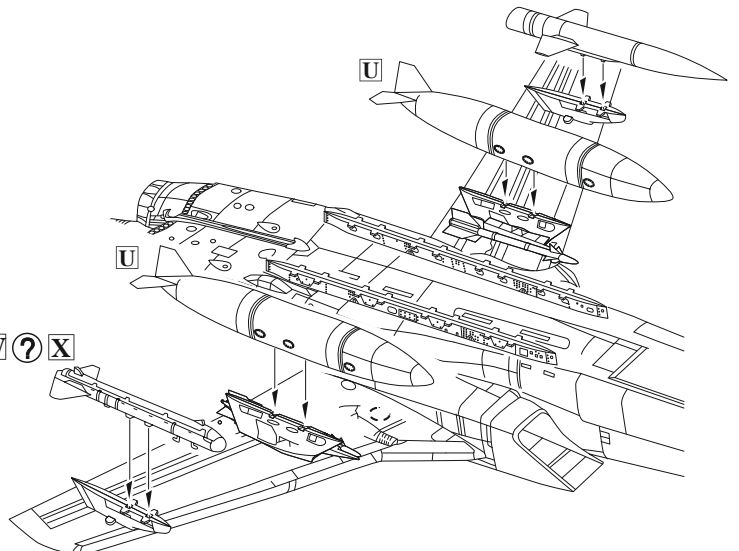


M **N**



W

W ? **X**



A MFG 2, Eggebek airbase, Germany, 2002-2004

During 2002-2004 this colorfully painted Panavia Tornado IDS airplane coded 46+20 belonging to the Marinefliegergeschwader 2 was flown at the airshows. MFG 2 unit was as the last fighter wing of the German Navy disbanded in 2005. Under the MFG 2 marking on the vertical tail surface this Tornado 46+20 sports the insignia of the re-activated Aufklärungsgeschwader 51 (AG 51) „Immelmann“ (51st Reconnaissance Wing). This unit was equipped with Tornados and took over part of the MFG 2 tasks. Tornado IDS 46+20 camouflage is painted according to the so-called Norm 87.



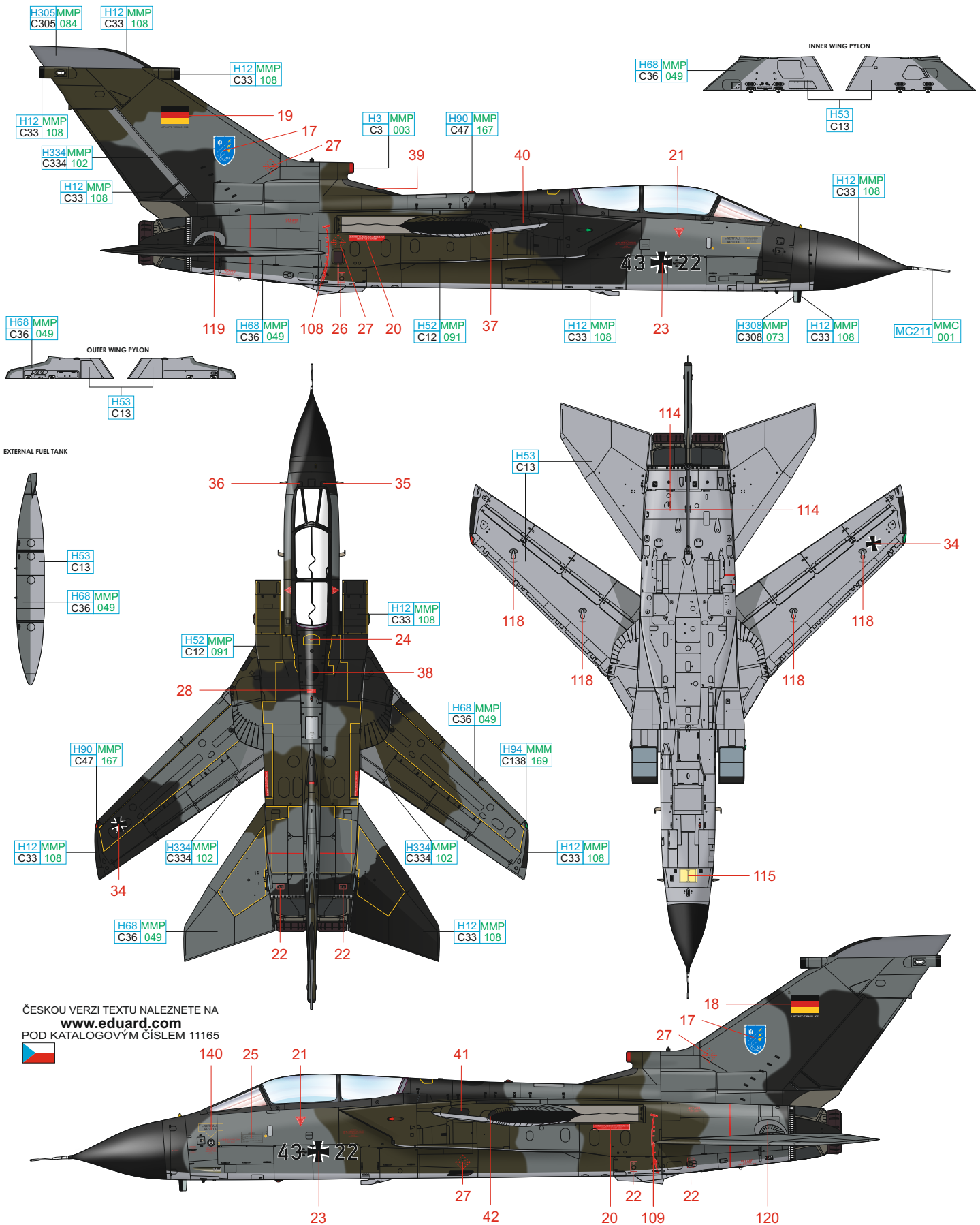
ČESKOU VERZI TEXTU NALEZNETE NA
www.eduard.com
 POD KATALOGOVÝM ČÍSLEM 11165



NAVY BLUE	H54 MMP C365 065	GREEN	H309 MMP C309 031	DARK GRAY	H68 MMP C36 049	CLEAR RED	H90 MMP C47 167
FLAT BLACK	H12 MMP C33 108	CLEAR GREEN	H94 MMM C138 169	GRAY	H308 MMP C308 073	CHROME SILVER	MC211 MMC 001
							BARLEY GRAY
							H334 MMP C334 102

B JaboG 38, Jever airbase, Germany, 1986

The Jagdbombergeschwader 38 unit was based in the North, Lower Saxon's Jever. It was established in August 1983 and was armed with the multi-purpose Tornado IDS aircraft. In 1989 its 2nd Staffel was equipped with Tornados ECR and flew them until 1995 when the ECR type Tornados were transferred to JaboG 32. On August 2005 the JaboG 38 was disbanded. The IDS Tornado coded 43+22 is camouflaged according to the so-called Norm 76.



ČESKOU VERZI TEXTU NALEZNETE NA
www.eduard.com
 POD KATALOGOVÝM ČÍSLEM 11165



OLIVE DRAB	H52 MMP C12 091	DARK GRAY	H68 MMP C36 049	BARLEY GRAY	H334 MMP C334 102	CLEAR RED	H90 MMP C47 167	RED	H3 MMP C3 003
FLAT BLACK	H12 MMP C33 108	GRAY	H305 MMP C305 084	GRAY	H53 C13	CLEAR GREEN	H94 MMM C138 169	CHROME SILVER	MC211 MMC 001
								GRAY	H308 MMP C308 073

C AG 51 „Immelmann“, Schleswig-Jagel airbase, Germany, 2002-2003

Aufklärungsgeschwader 51, the predecessor of the TaktLwG 51, was re-activated in January 1994. Previous AG 51, together with its sister unit AG 52 (both were equipped with the reconnaissance RF-4E), was disbanded in the middle of 1993. Newly established AG 51 received Tornados IDS supplemented with ECT version. Camouflage of the Tornado coded 43+46 was sprayed according to the so-called Norm 95 in three shades of grey and due to its participation in the NATO Tiger Meet 2002, taking place at the Portuguese airbase Beja (Base Aerea no.11/Base Aerea de Beja) the tiger stripes were added.



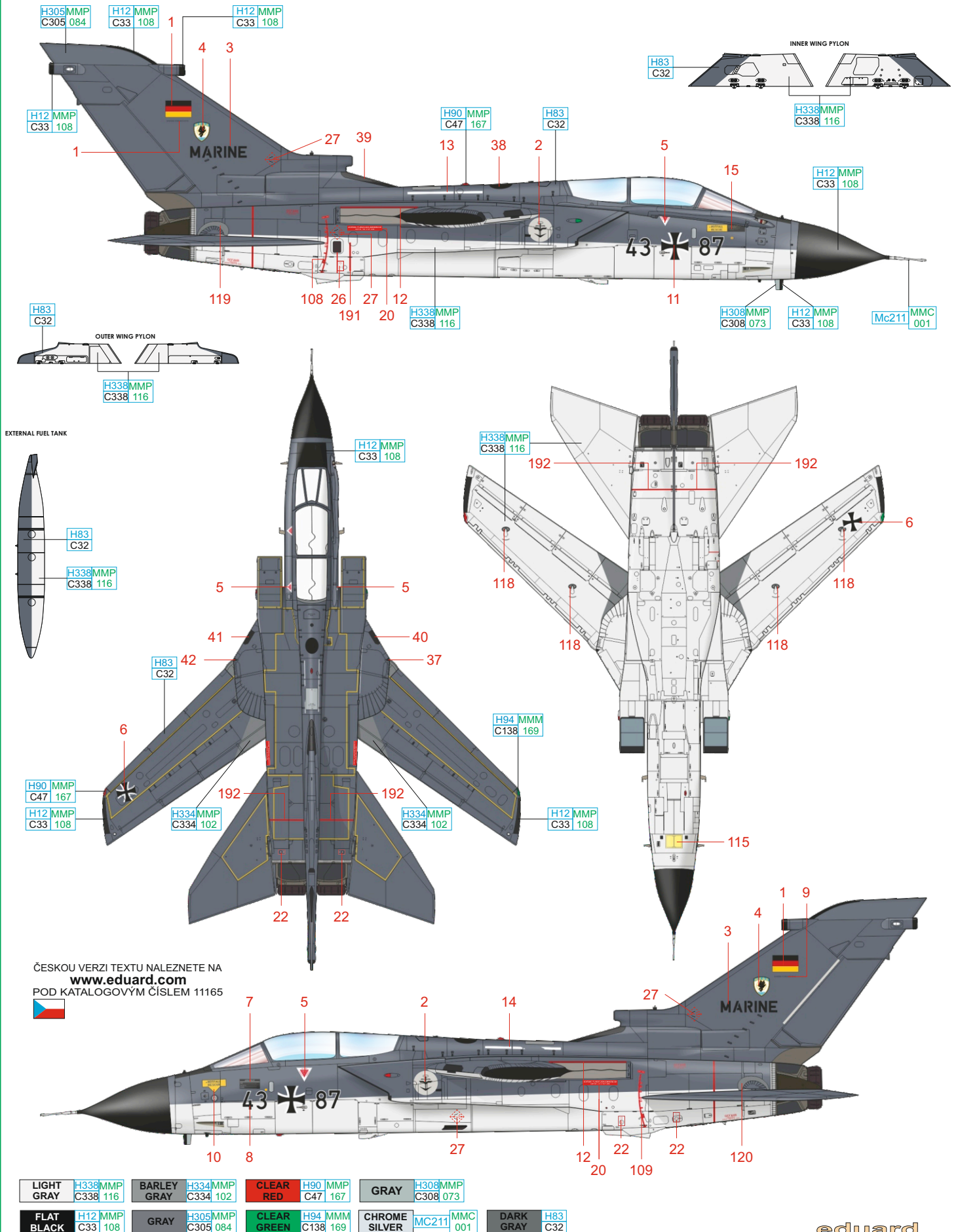
ČESKOU VERZI TEXTU NALEZNETE NA
www.eduard.com
 POD KATALOGOVÝM ČÍSLEM 11165



NAVY BLUE	H54 MMP C365 065	GREEN	H309 MMP C309 031	DARK GRAY	H68 MMP C36 049	CLEAR RED	H90 MMP C47 167	BARLEY GRAY	H334 MMP C334 102
FLAT BLACK	H12 MMP C33 108	BLACK	H2 MMP C2 047	WHITE	H11 MMP C62 001	CLEAR GREEN	H94 MMP C138 169	GRAY	H308 MMP C308 073
								CHROME SILVER	MC211 MMC 001

D MFG 1, Schleswig-Jagel airbase, Germany, 1993

Marinefliegergeschwader 1 (MFG 1) wing of the German Navy was operational from 1959 to 1993 and in 1981 was equipped with 57 new Tornado fighters. Until then they had flown the American Starfighters. After the end of Cold War and Germany unification it was decided to reduce the number of the Bundeswehr units. MFG 1 was one of the „victims“ of this developments and on December 31, 1993 was disbanded. The second MFG 1 flight was incorporated into the MFG 2. Tornado IDS 43+87 camouflage was painted according to the so-called Norm 76.



E JaBoG 31, Norvenich airbase, Germany, 2001-2002

Jagdbombergeschwader 31 (abbreviated as JaBoG 31) is the fighter-bomber wing based at Norvenich in the Western Germany. The unit was established in 1957 at Buchel airbase because Norvenich base was not yet prepared to operate the new jet airplanes. On April 20, 1961 the squadron was named „Boelcke“ in the honor of Oswald Boelcke, WWI Luftstreitkräfte fighter pilot. In 1979 the Jagdbombergeschwader 31 was the first Luftwaffe unit to be equipped with the new Panavia Tornado IDS aircraft. As a result of the German Air Force restructuring, on October 1, 2013 it was renamed to the Taktisches Luftwaffengeschwader 31 „Boelcke“ (abbreviated as TaktLwG 32 „B“). On the same day the unit became the core unit of the newly established Tactical Air Force Group „Richthofen“. In 2001 the Tornado coded 44+21 received the special color scheme commemorating 1 250 000 hours logged by the Luftwaffe pilots in Tornados.

44 ČESKOU VERZI TEXTU NALEZNETE NA www.eduard.com POD KATALOGOVÝM ČÍSLEM 11165

BARLEY GRAY	H334 MMP C334 102	GRAY	H308 MMP C308 073	CLEAR RED	H90 MMP C47 167
FLAT BLACK	H12 MMP C33 108	BLACK	H2 MMP C2 047	CLEAR GREEN	H94 MMM C138 169
				CHROME SILVER	MC211 MMC 001

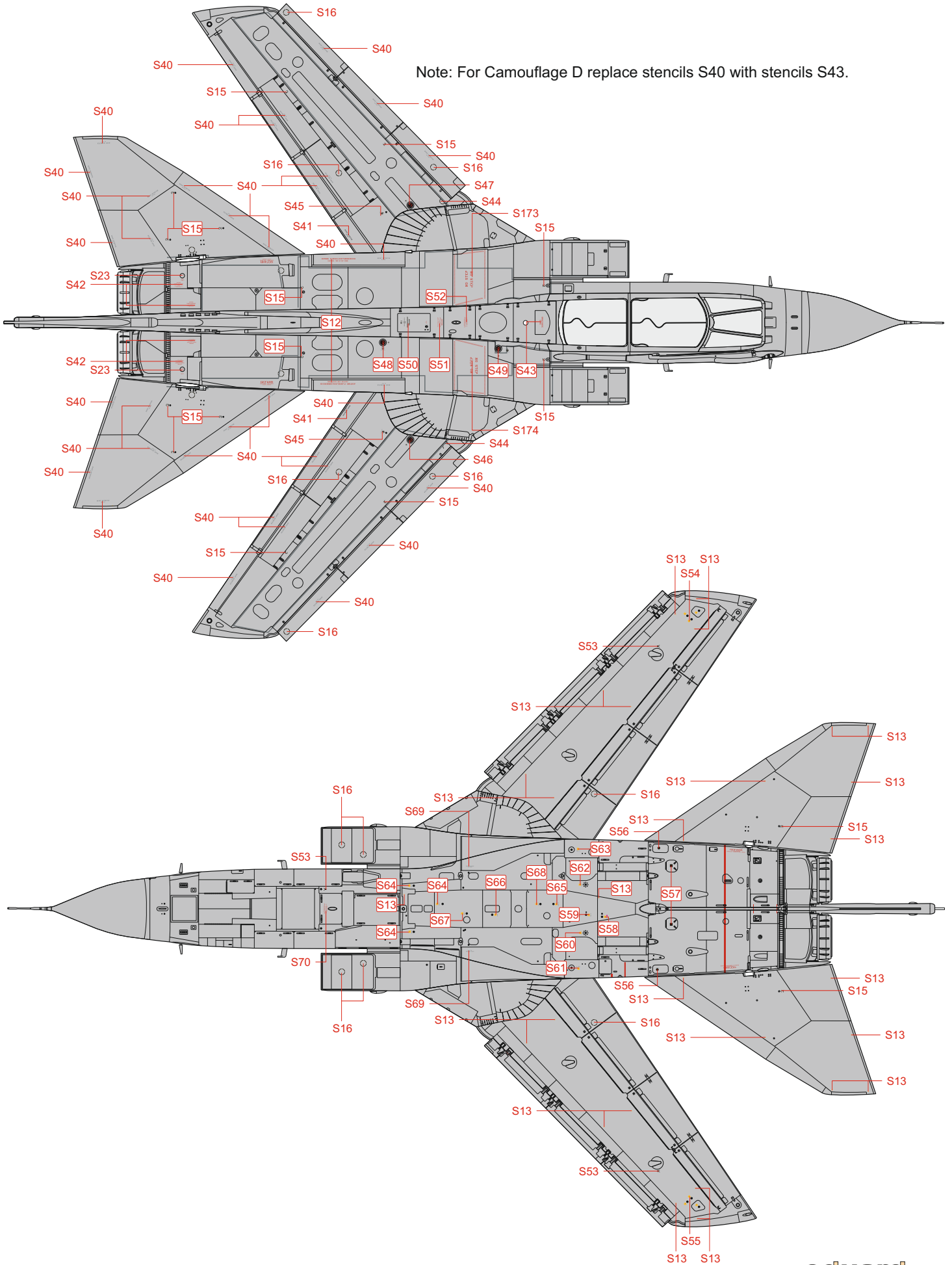
This unit was previously known as Jagdbombergeschwader 33. Due to the German Air Force restructuring, on October 1, 2013 the unit was renamed to the Taktisches Luftwaffengeschwader 33. It is based in the Western Germany at Buchel airbase and it is the only German AF unit able to carry the nuclear weapons. Tornado IDS 44+88 camouflage is painted according to the so-called Norm 83.



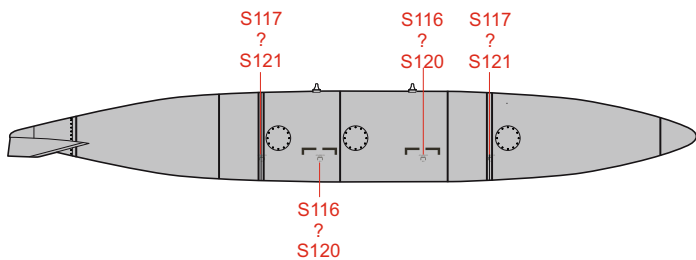
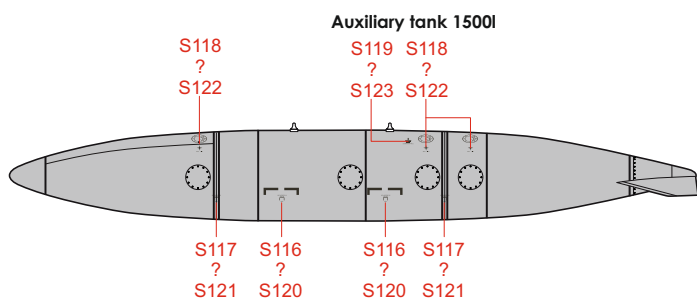
ČESKOU VERZI TEXTU NALEZNETE NA
www.eduard.com
 POD KATALOGOVÝM ČÍSLEM 11165



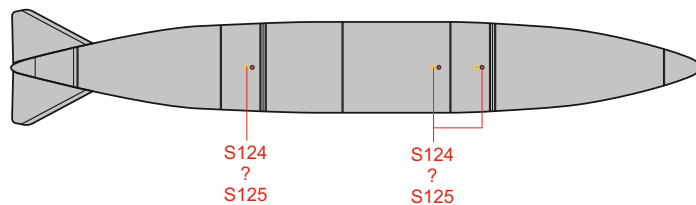
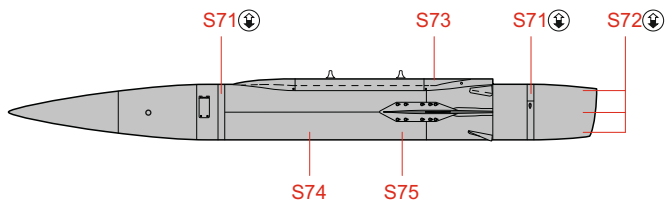
Note: For Camouflage D replace stencils S40 with stencils S43.



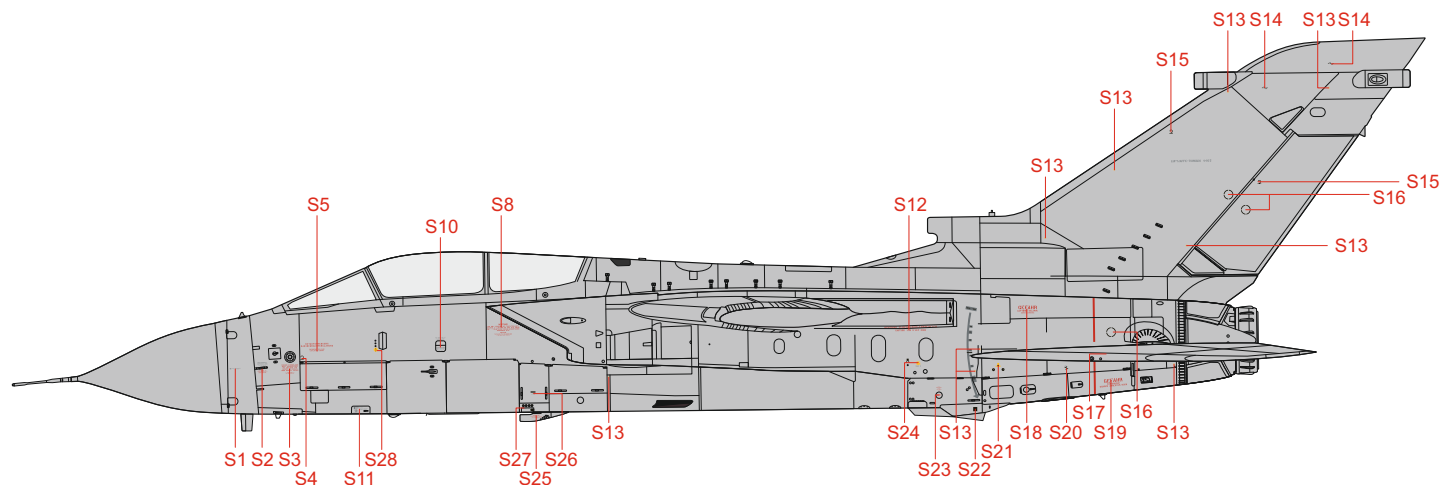
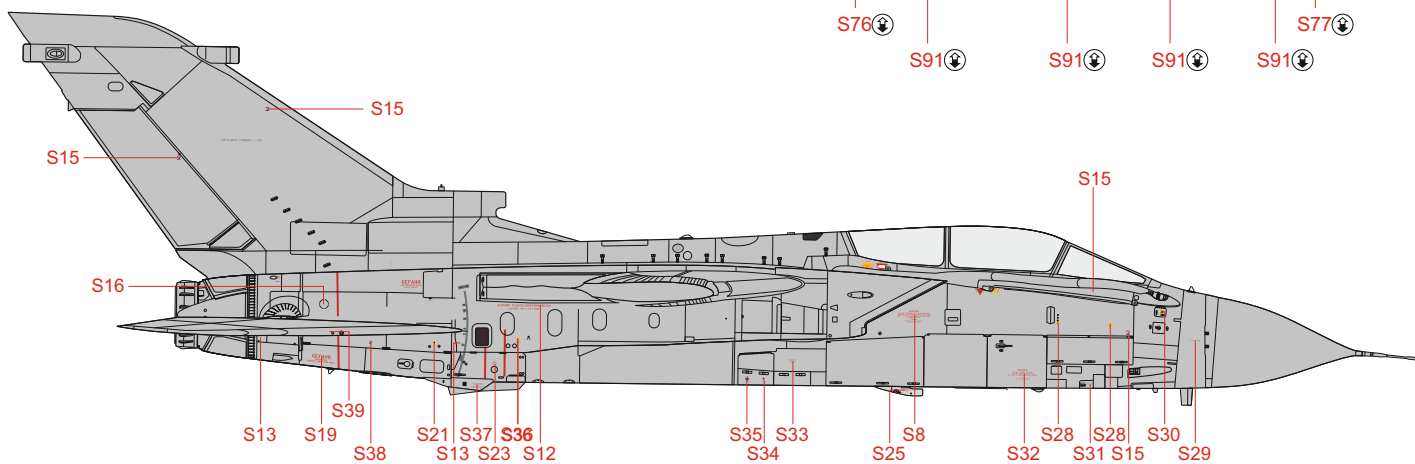
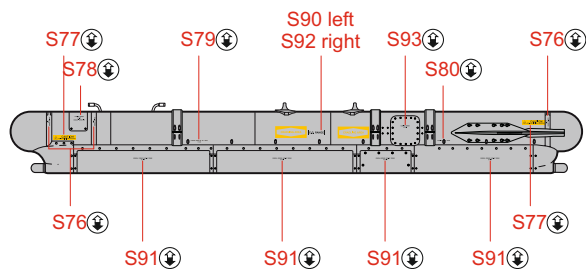
Auxiliary tank 1500l



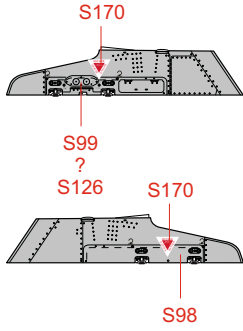
Bofors BOZ 101



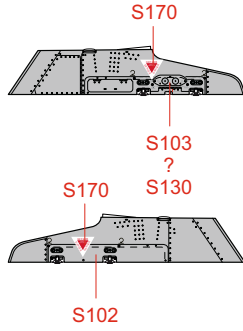
Cerberus III



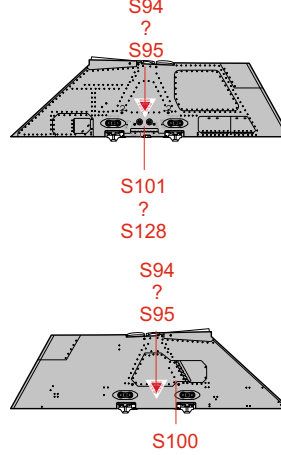
left outer pylon



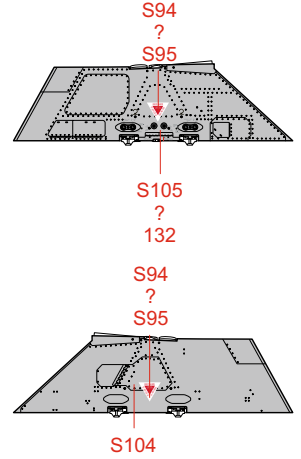
right outer pylon



left inner pylon

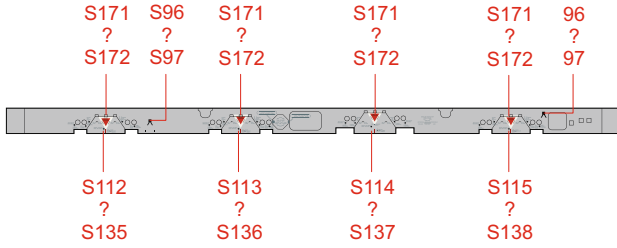


right inner pylon



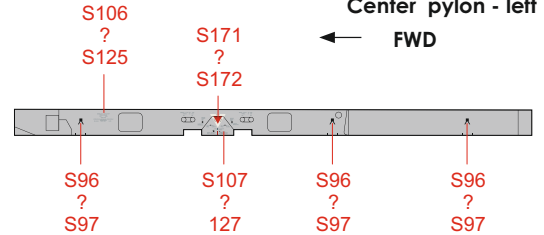
Right fuselage pylon

FWD →



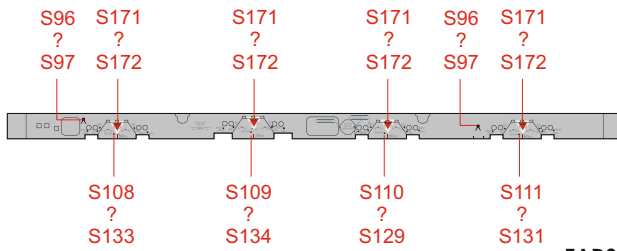
Center pylon - left

← FWD



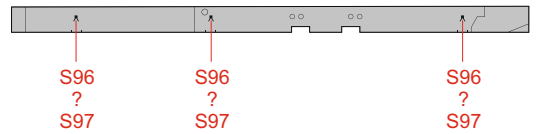
← FWD

Left fuselage pylon



Center pylon - right

FWD →



EADS RECCE Pod

