

1/72 SCALE

ITEM NO.:07147

Russian T-62 Main Battle Tank Mod.1972

俄罗斯T-62中型坦克1972年型



READ BEFORE ASSEMBLY:

- Study and understand these instructions thoroughly before beginning assembly
- When needed, remove photo-etch parts carefully using a modeling knife or photo etch sprue cutter, being careful not to damage or lose small parts.
- Take extra care in handling photo etch parts in order to avoid injury
- Apply instant cement sparingly to photo etch parts where instructed
- Tools recommended(not included in kit):Plastic and instant cements,sprue cutters,long nose pliers,,modeling knife, small files, tweezers, pin vise & scissors. Soft cloth and sandpaper will also assist in construction
- Glue and paint are not included in the kit. Use plastic cement and hobby paints only. Color guide for purchasing paint is included in the kit.

装配之前仔细阅读

- 小心用模型锉刀锉平所有零件表面的注射浇口。
- 小心用刀片切下蚀刻片零件，不要遗失小零件。
- 用强力快干胶水粘合蚀刻片零件和金属轴。过量的快干胶水使用可能导致可动零件会粘住，小心涂胶。
- 取蚀刻片时应特别注意安全，防止利边划伤手指。
- 某些零件表面需贴水上贴纸，请选择在装配的同时进行。
- 推荐模型工具(自备)：胶水，水口剪刀，长咀钳，刀片，锉刀，镊子，钳，钻，剪刀，瞬间快干胶。
- 软布同砂纸同时也应该是必备工具。
- 请使用塑料胶水和油漆，模型内不含。



使用强力胶

Cyanoacrylate glue



配重

Weight



钻孔

Make hole



切除

Cut / Remove



贴纸

Decal



锉平

File / Sand



选择

Option



不涂胶水

No cement



弯曲

Bend



先装

Install it first

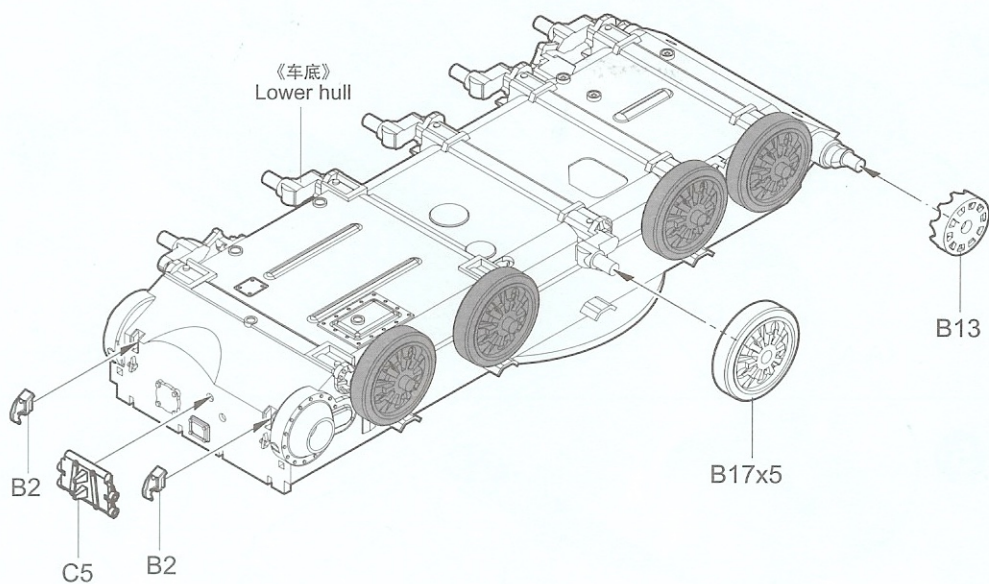
水贴纸的使用:

1. 从水贴纸上剪下印花;
2. 将印花放入温水中浸10秒, 然后放在干净布上。
3. 拿着印花纸板将印花移到模型上;
4. 手指蘸水将印花移到适当的位置;
5. 用软布轻压印花直至水干, 汽泡消失。

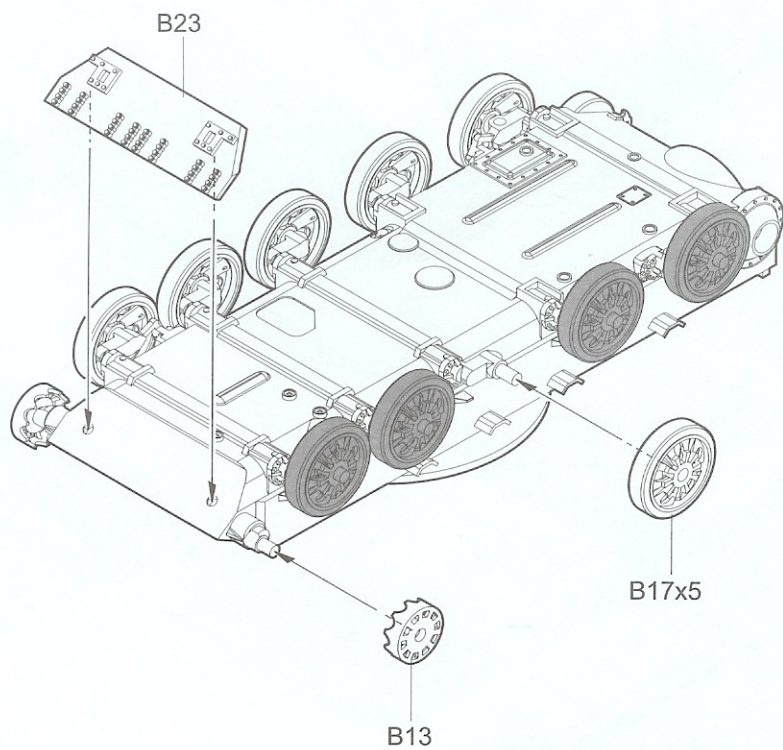
DECAL APPLICATION

1. Cut off decal from sheet.
2. Dip the decal in tepid water 40°C for about 10 sec. and place on a clean cloth.
3. Hold the backing sheet edge and slide decal onto the model.
4. Move decal into position by wetting decal with finger.
5. Press decal gently down with a soft cloth until excess water and air bubbles are gone.
6. Allow decal to dry completely before handling model.

1



2



3

《左侧履带》
Left track

C9



C8

《A-A》

4

C12

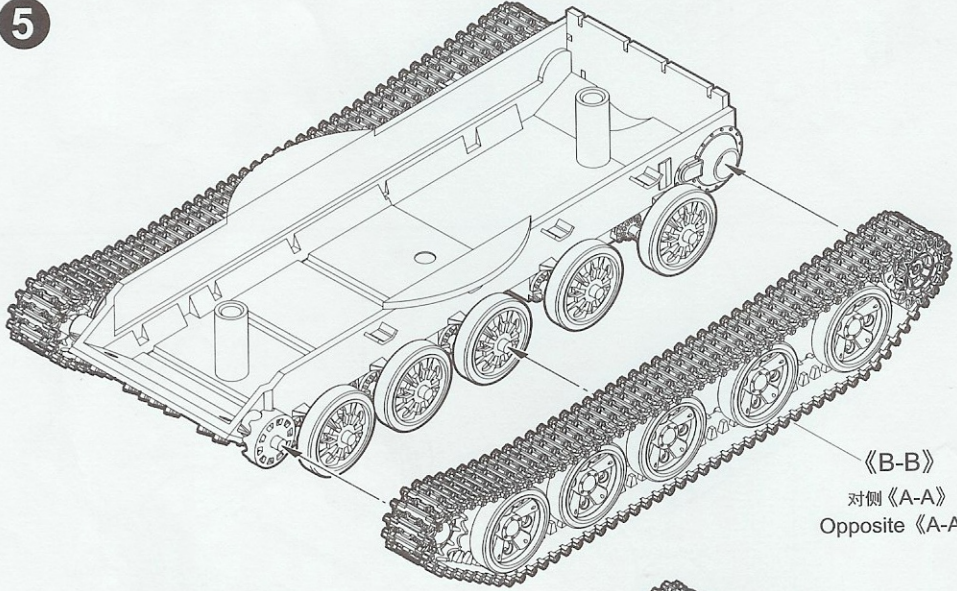


C11

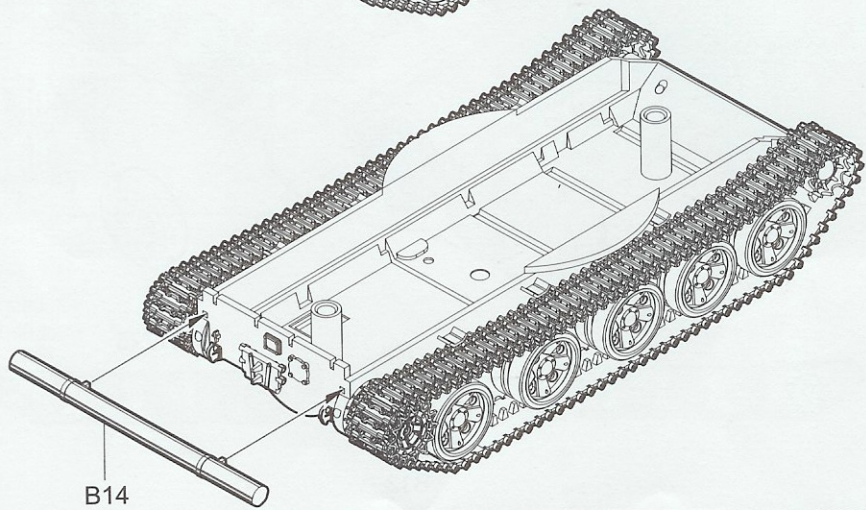
《右侧履带》
Right track

《B-B》

5

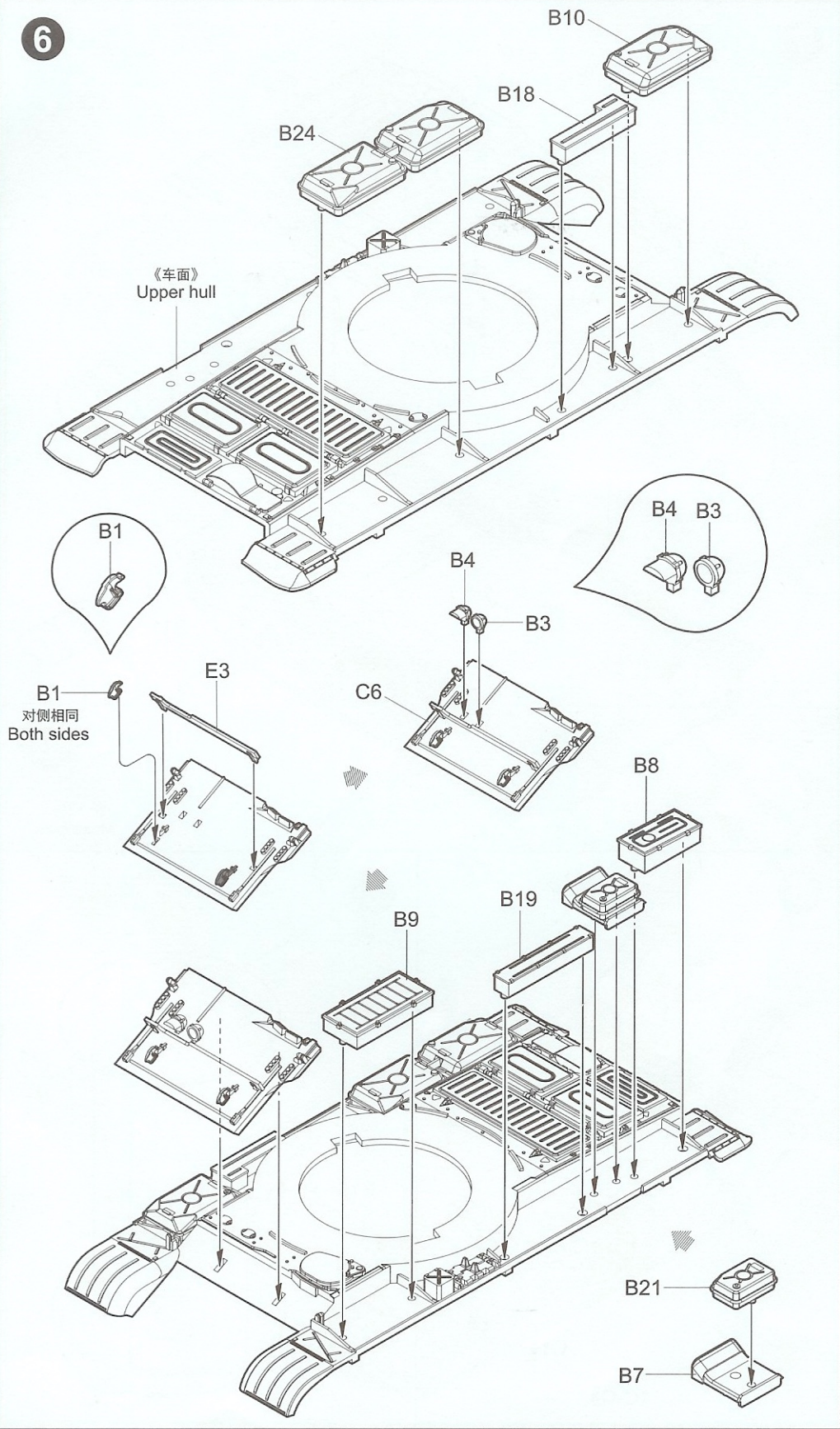


《B-B》
对侧《A-A》
Opposite《A-A》

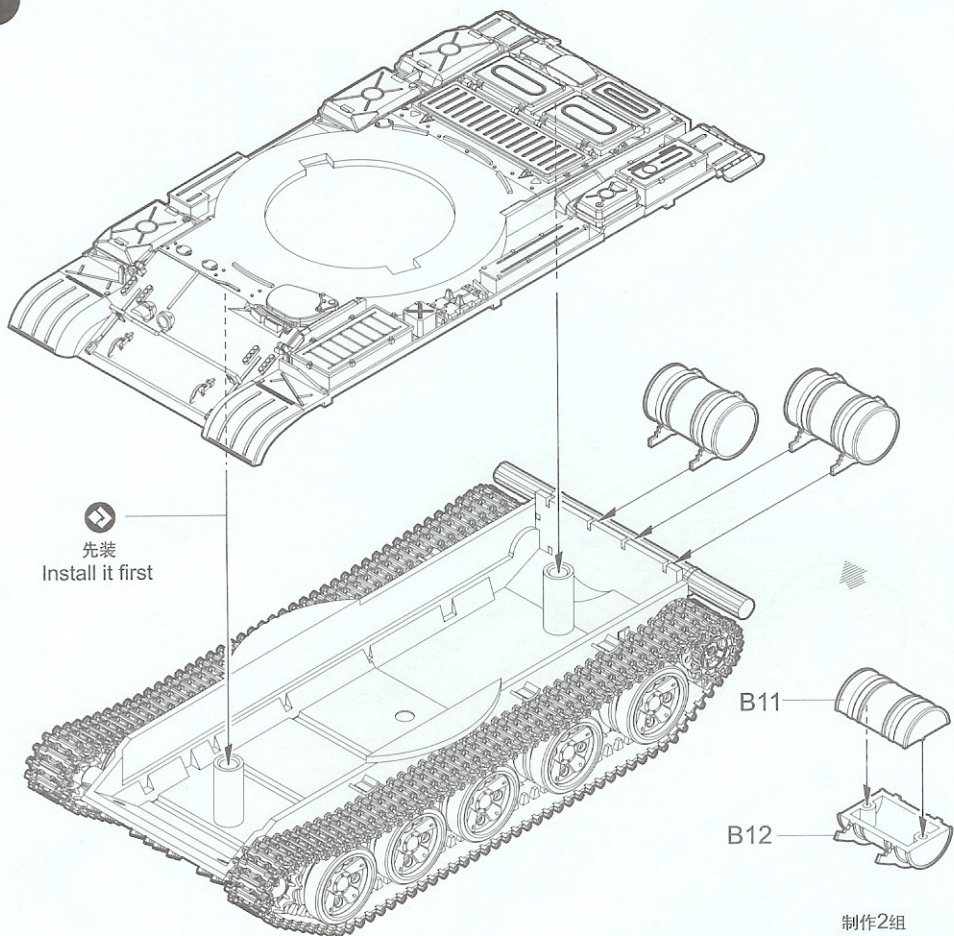


B14

6



7

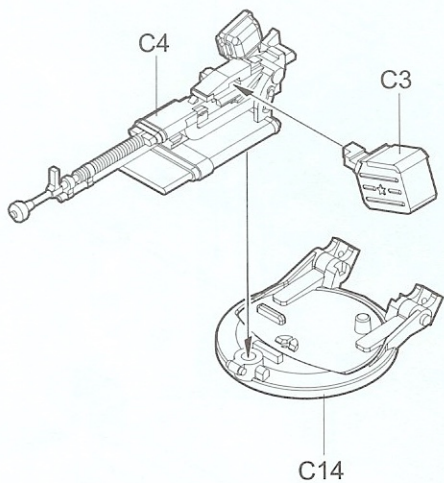


先装
Install it first

B11
B12

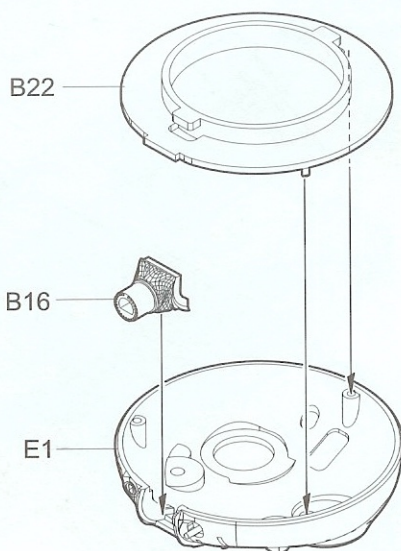
制作2组
Make two

8



《C-C》

9

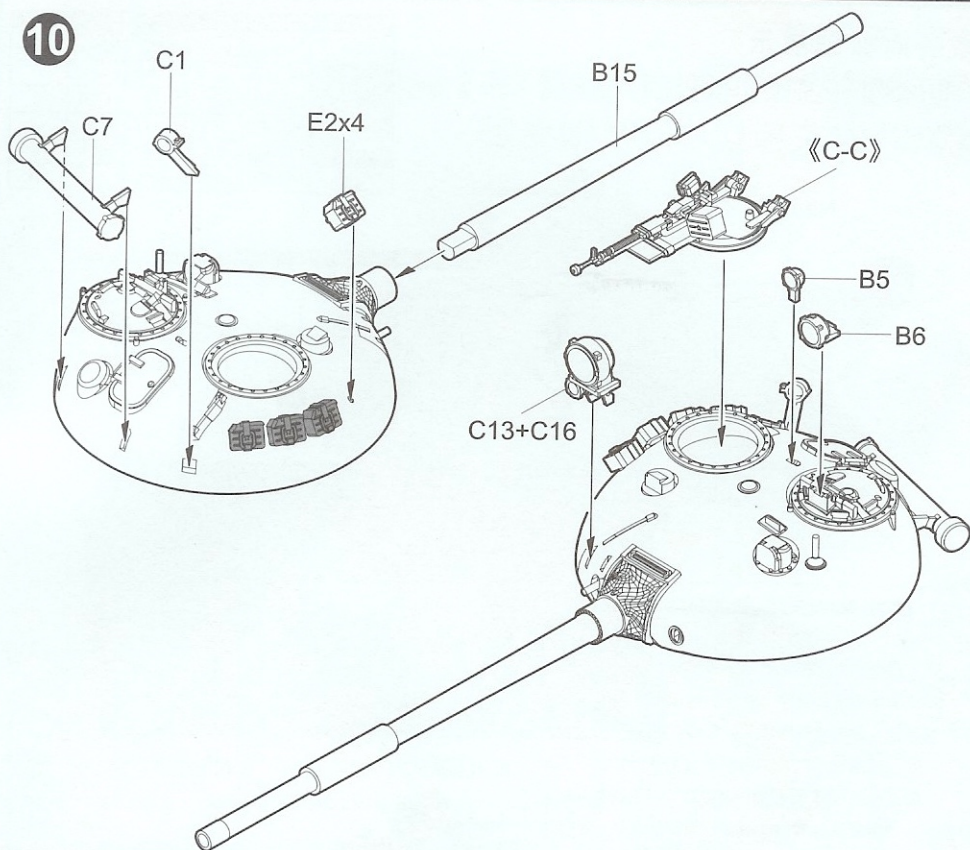


B22

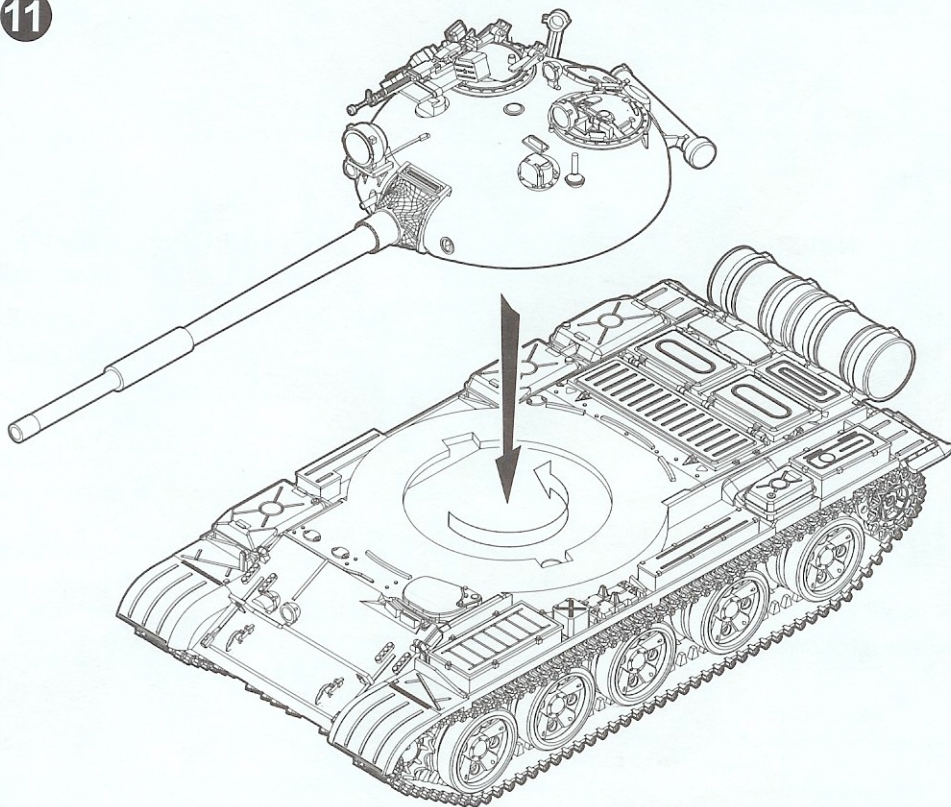
B16

E1

10



11

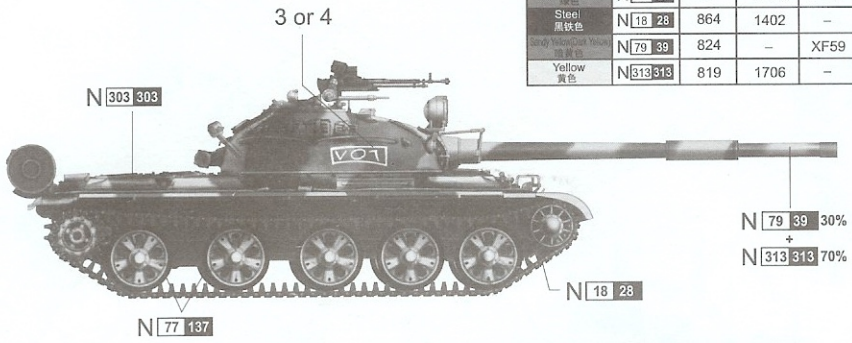


涂装同标贴指示 Painting & Marking guide

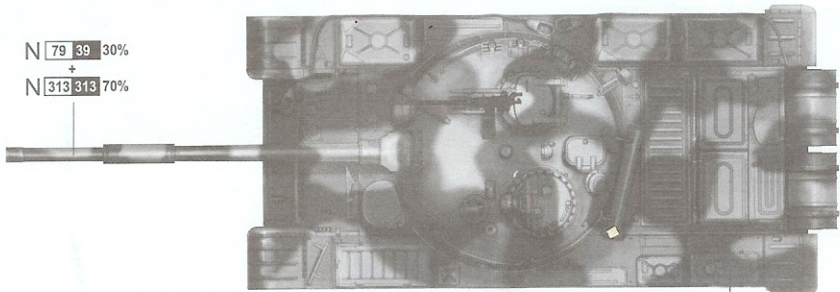
PAINT REFERENCE COLOUR

Color	Mr.Hobby	Vallejo	Model Master	Tamiya	Humbrol
Tire Black 胎黑色	N 77 137	-	-	-	-
Light Green 浅绿色	N 303 303	-	1713	XF20	117
Steel 黑铁色	N 18 28	864	1402	-	-
Sand Yellow 土黄色	N 79 39	824	-	XF59	79
Yellow 黄色	N 313 313	819	1706	-	121

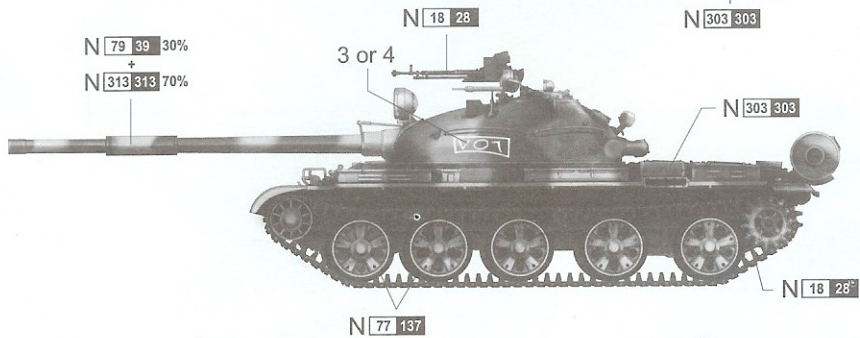
A



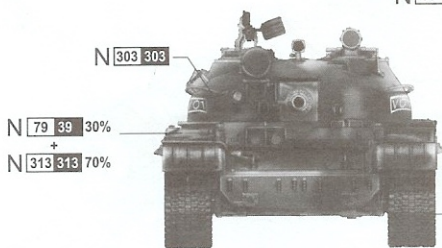
N |79|39| 30%
+
N |313|313| 70%



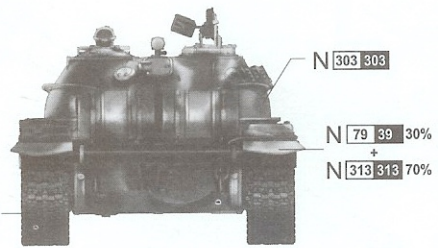
N |79|39| 30%
+
N |313|313| 70%



N |79|39| 30%
+
N |313|313| 70%



N |79|39| 30%
+
N |313|313| 70%



N |79|39| 30%
+
N |313|313| 70%

B



《对侧相同》
Both sides

《对侧相同》
Both sides

H □ AQUEOUS HOBBY COLOR x Mr. COLOR