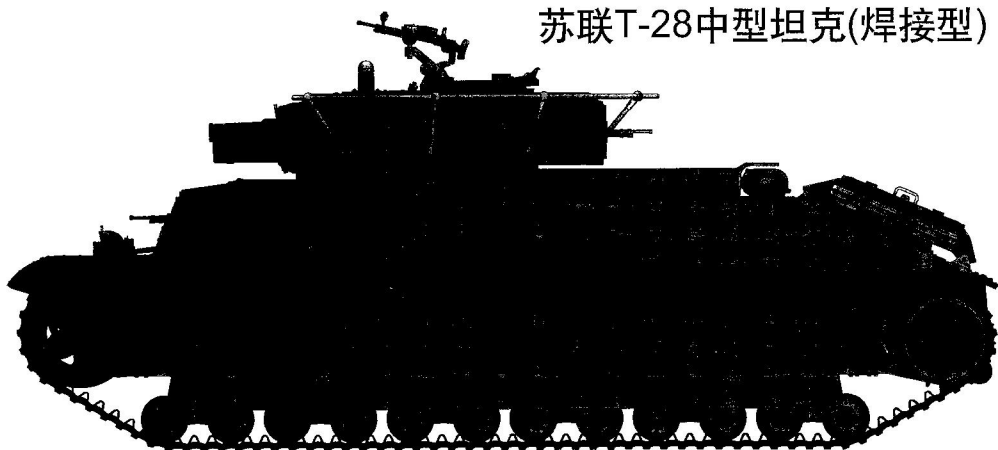


1/72 SCALE

ITEM NO.:07150

Soviet T-28 Medium Tank (Welded)

苏联T-28中型坦克(焊接型)



READ BEFORE ASSEMBLY:

- Study and understand these instructions thoroughly before beginning assembly
- When needed, remove photo-etch parts carefully using a modeling knife or photo etch sprue cutter, being careful not to damage or lose small parts.
- Take extra care in handling photo etch parts in order to avoid injury
- Apply instant cement sparingly to photo etch parts where instructed
- Tools recommended (not included in kit): Plastic and instant cements, sprue cutters, long nose pliers, modeling knife, small files, tweezers, pin vise & scissors. Soft cloth and sandpaper will also assist in construction
- Glue and paint are not included in the kit. Use plastic cement and hobby paints only. Color guide for purchasing paint is included in the kit.

装配之前仔细阅读

- 小心用模型锉刀锉平所有零件表面的注射浇口。
- 小心用刀片切下蚀刻片零件，不要遗失小零件。
- 用强力快干胶水粘合蚀刻片零件和金属轴。过量的快干胶水使用可能导致可动零件会粘住，小心涂胶。
- 取蚀刻片时应特别注意安全，防止利边划伤手指。
- 某些零件表面需贴水上贴纸，请选择在装配的同时进行。
- 推荐模型工具(自备)：胶水，水口剪刀，长咀钳，刀片，锉刀，镊子，钳，钻，剪刀，瞬间快干胶。
- 软布同砂纸同时也应该是必备工具。
- 请使用塑料胶水和油漆，模型内不含。



使用强力胶

Cyanoacrylate glue



配重

Weight



钻孔

Make hole



切除

Cut / Remove



贴纸

Decal



锉平

File / Sand



选择

Option



不涂胶水

No cement



弯曲

Bend



先装

Install it first

水贴纸的使用:

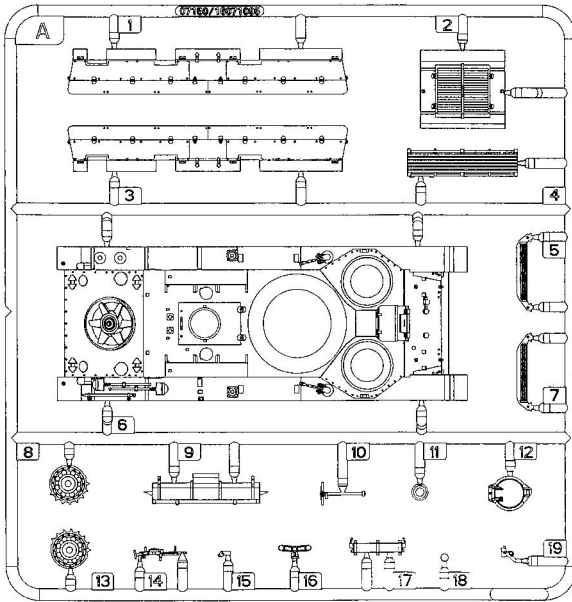
1. 从水贴上剪下印花;
2. 将印花放入温水中浸10秒, 然后放在干净布上。
3. 拿着印花纸板将印花移到模型上;
4. 手指蘸水将印花移到适当的位置;
5. 用软布轻压印花直至水干, 气泡消失。

DECAL APPLICATION

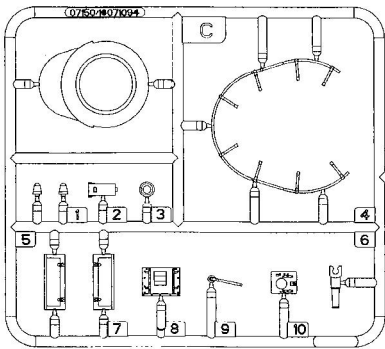
1. Cut off decal from sheet.
2. Dip the decal in tepid water 40°C for about 10 sec. and place on a clean cloth.
3. Hold the backing sheet edge and slide decal onto the model.
4. Move decal into position by wetting decal with finger.
5. Press decal gently down with a soft cloth until excess water and air bubbles are gone.
6. Allow decal to dry completely before handling model.

部品图
Parts

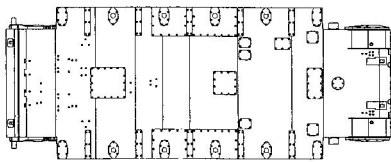
A



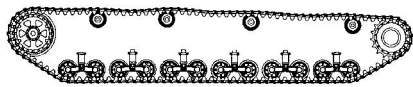
C



《车底》
Lower hull

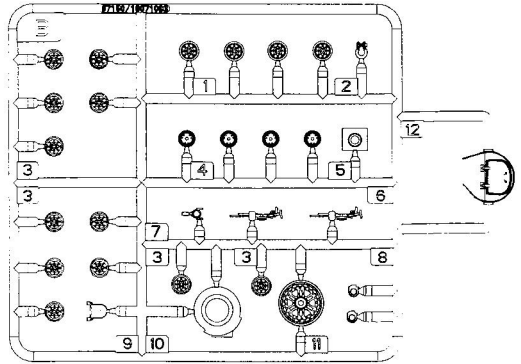


《右侧履带》
Right track



《左侧履带》
Left track

Bx2



《炮塔》
Turret



《水贴》
Decal



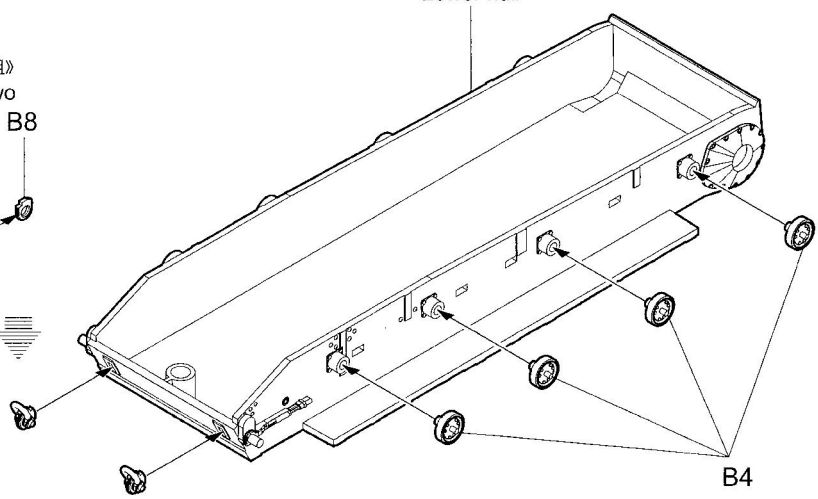
1

《车底》
Lower hull

《制作两组》
Make two

B8

B2



B4
对侧相同
Both sides

2

B11

B3

B1

B3

A13

《A-A》

3

A8

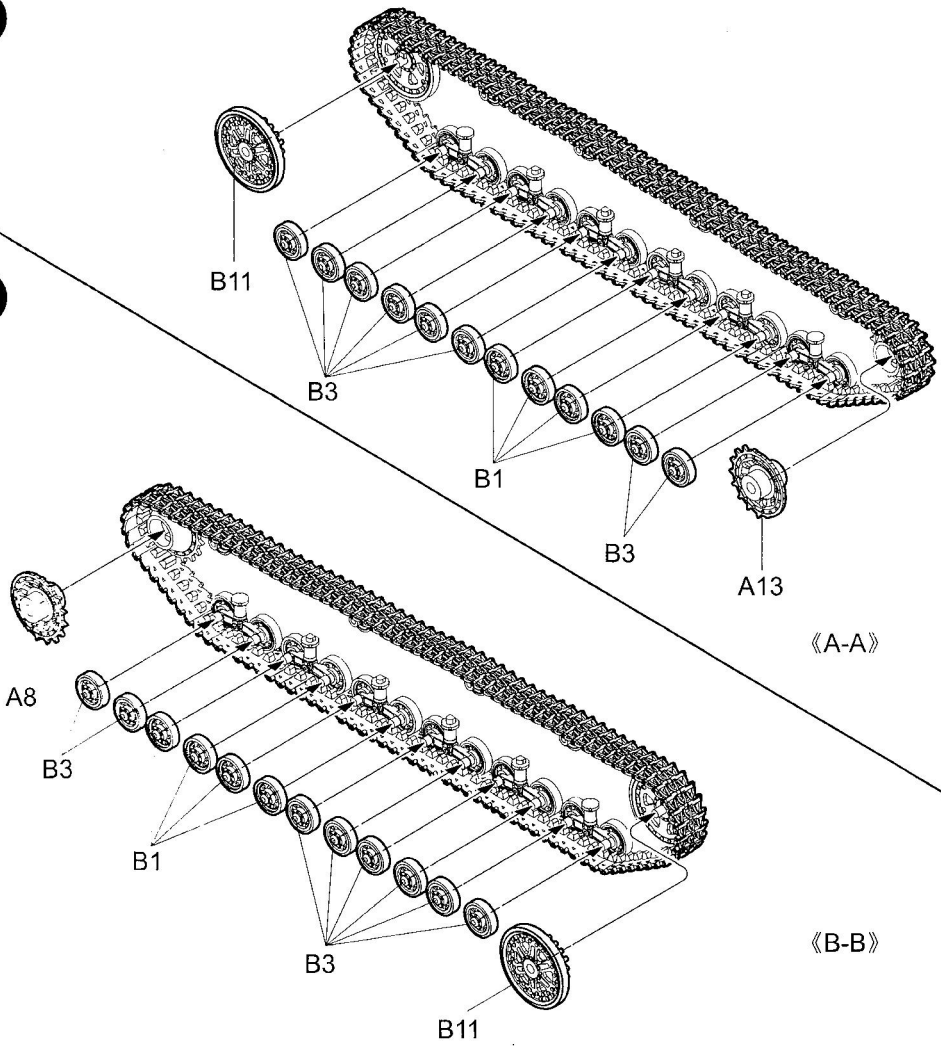
B3

B1

B3

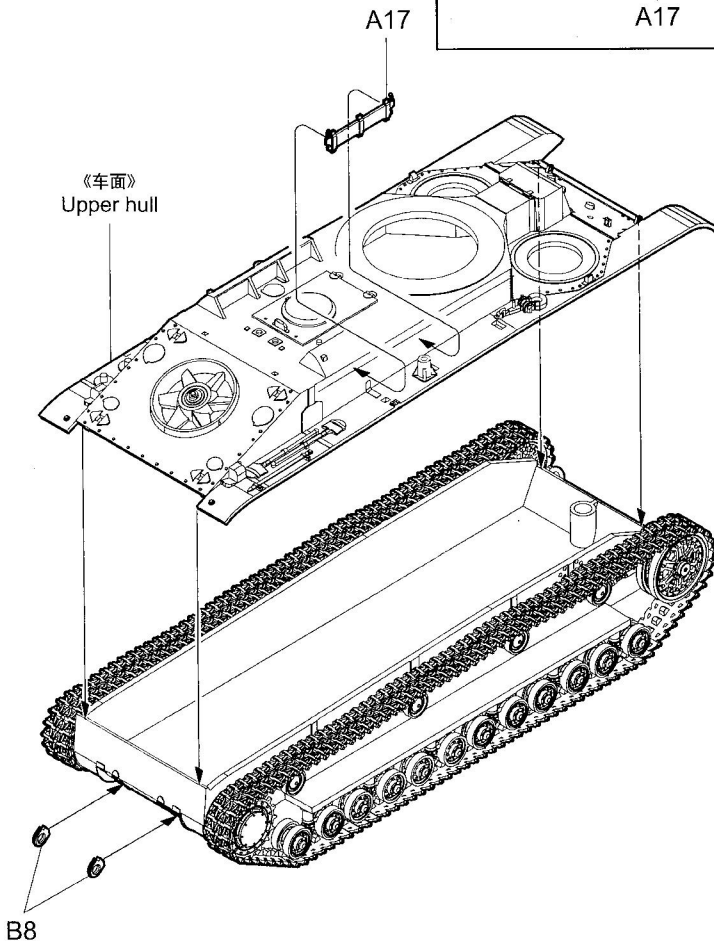
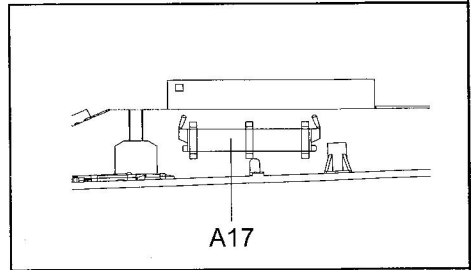
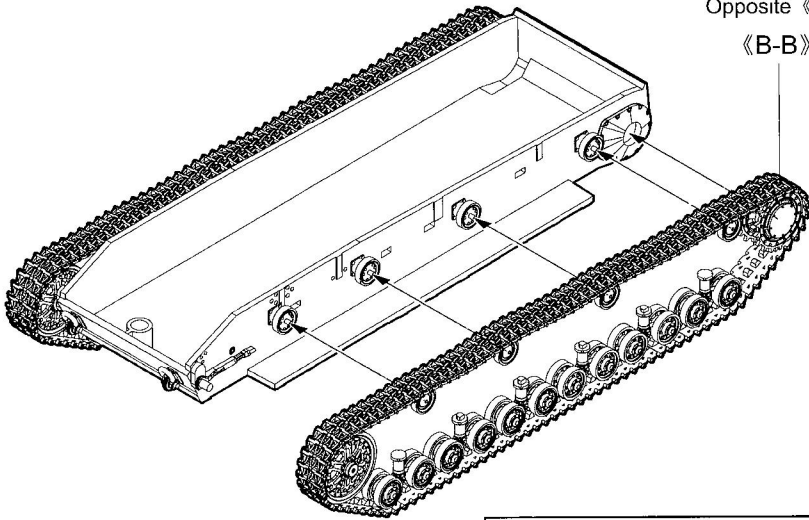
B11

《B-B》

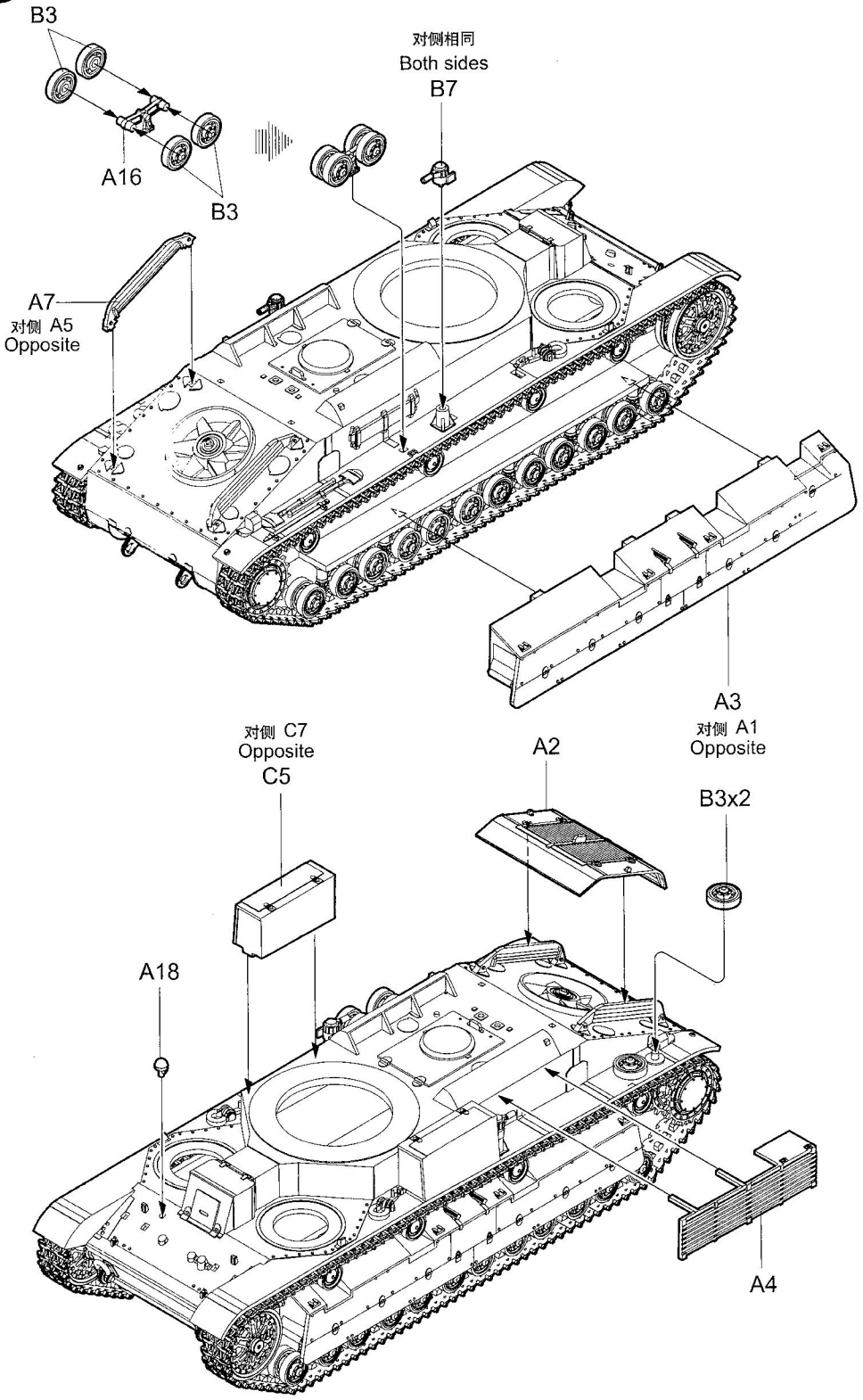


4

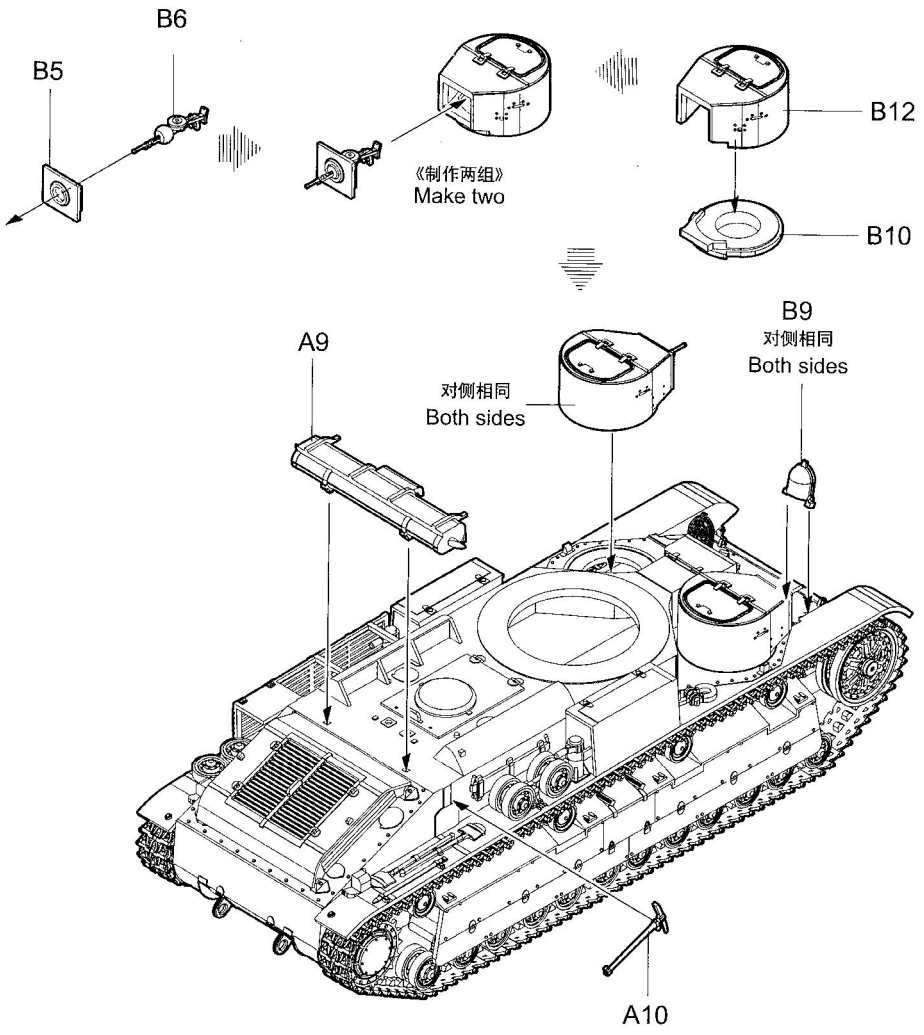
对侧《A-A》
Opposite 《A-A》
《B-B》



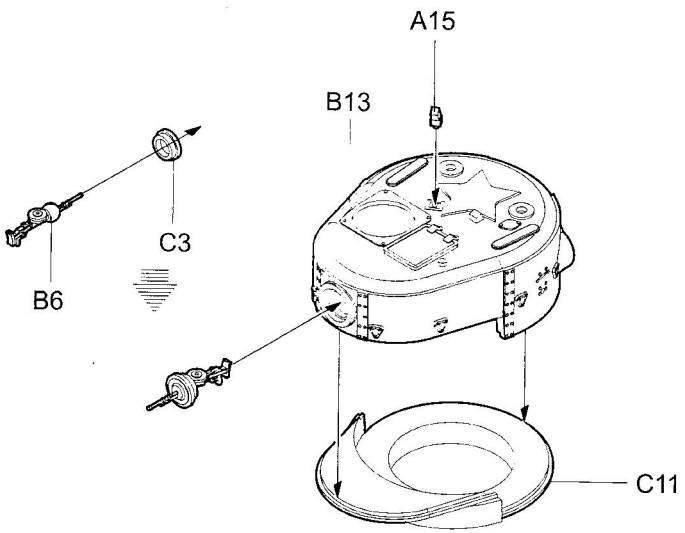
5



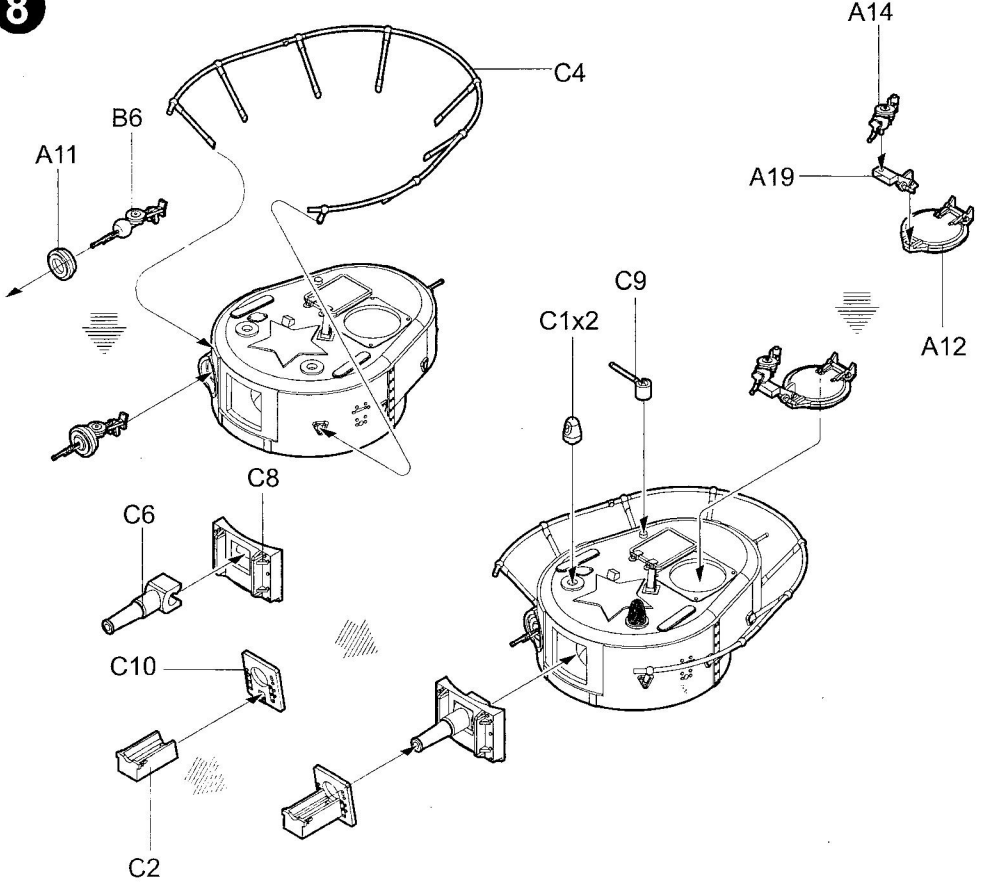
6



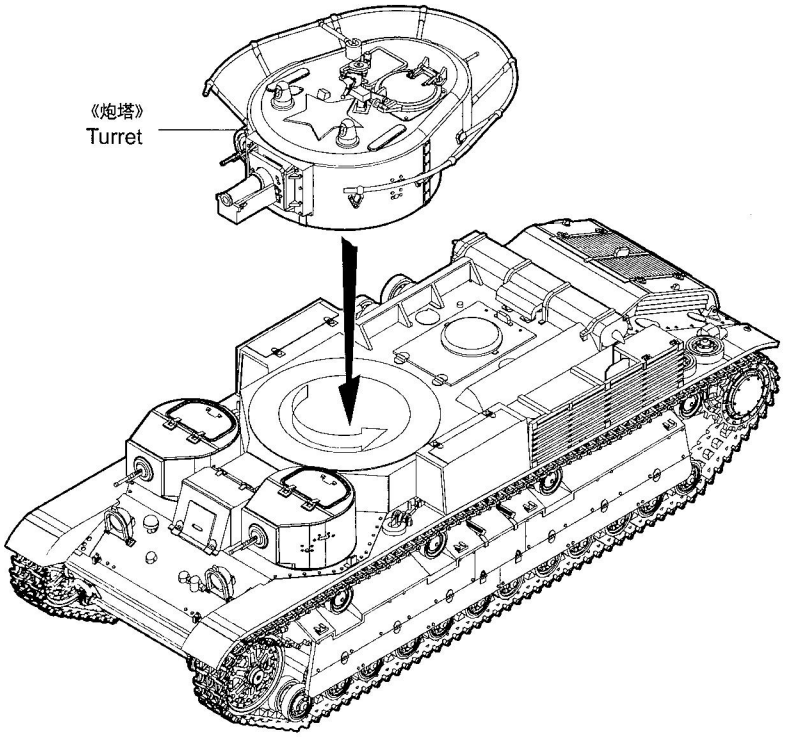
7



8



9

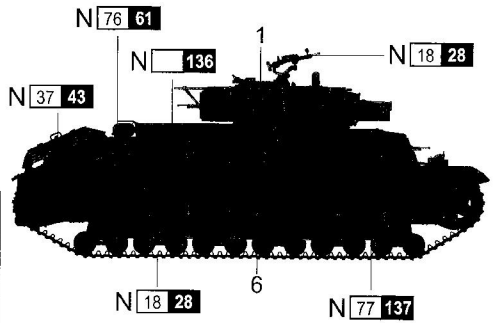
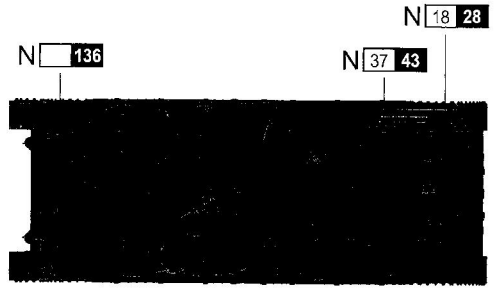
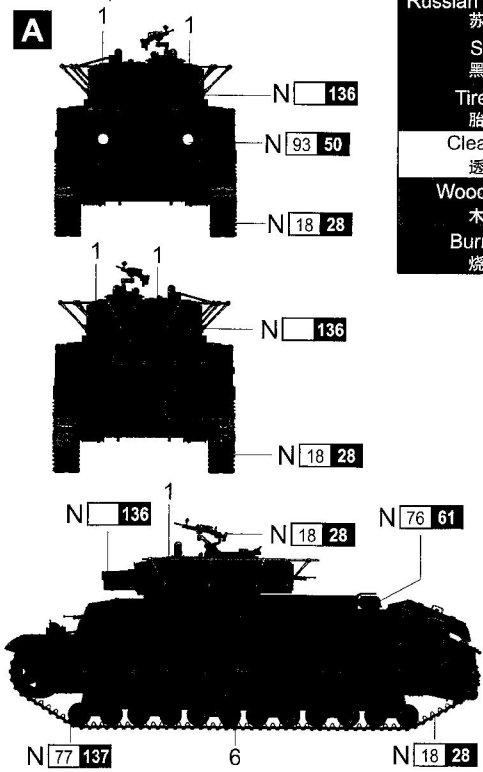


涂装同标贴指示 Painting & Marking guide

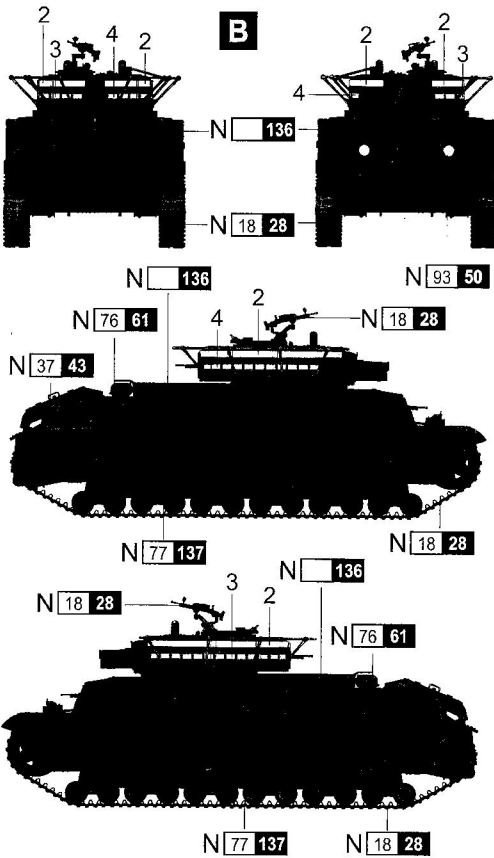
PAINT REFERENCE COLOUR

Color	Mr.Hobby	Vallejo	Model Master	Tamiya	Humbrol
Russian Green (2) 苏联绿	N <input type="checkbox"/> 136	—	—	—	—
Steel 黑铁色	N <input type="checkbox"/> 18 <input type="checkbox"/> 28	864	1402	—	—
Tire Black 胎黑色	N <input type="checkbox"/> 77 <input type="checkbox"/> 137	—	—	—	—
Clear Blue 透明蓝	N <input type="checkbox"/> 93 <input type="checkbox"/> 50	938	—	X23	—
Wood Brown 木棕色	N <input type="checkbox"/> 37 <input type="checkbox"/> 43	983	1701	—	186
Burnt Iron 烧铁色	N <input type="checkbox"/> 76 <input type="checkbox"/> 61	863	1795	X10	53

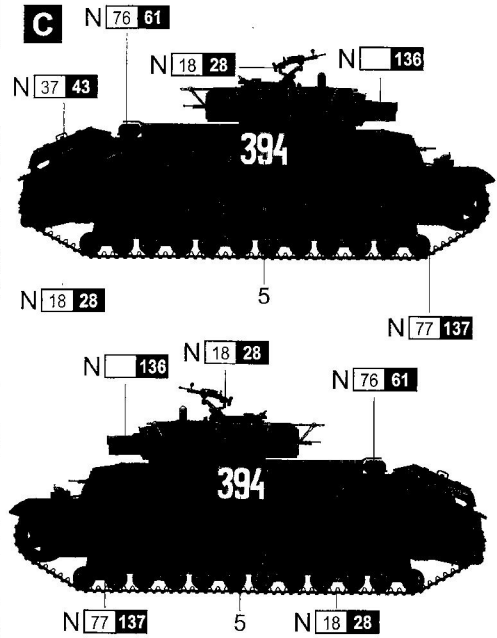
A



B



C



H AQUEOUS HOBBY COLOR Mr. COLOR