

# Soviet Tu-22 "Blinder" tactical bomber

## 苏联图-22“眼罩”式战略轰炸机

### READ BEFORE ASSEMBLY:

- This kit is not recommended for inexperienced modelers or for children under 14 years of age
- Study and understand these instructions thoroughly before beginning assembly
- When needed, remove photo-etch parts carefully using a modeling knife or photo etch sprue cutter, being careful not to damage or lose small parts.
- Take extra care in handling photo etch parts in order to avoid injury
- Apply instant cement sparingly to photo etch parts where instructed
- Tools recommended(not included in kit):Plastic and instant cements,sprue cutters,long nose pliers,modeling knife, small files, tweezers, pin vise & scissors. Soft cloth and sandpaper will also assist in construction
- Glue and paint are not included in the kit. Use plastic cement and hobby paints only. Color guide for purchasing paint is included in the kit.
- Keep out of reach of children. They must not be allowed to ingest small parts or handle plastic bags in any way.

### 装配之前仔细阅读

- 小心用模型锉刀锉平所有零件表面的注射浇口。
- 小心用刀片切下蚀刻片零件，不要遗失小零件。
- 用强力快干胶水粘合蚀刻片零件和金属轴。过量的快干胶水使用可能导致可动零件会粘住，小心涂胶。
- 取蚀刻片时应特别注意安全，防止利边划伤手指。
- 某些零件表面需贴上水贴纸，请选择在装配的同时进行。
- 推荐模型工具(自备)：胶水，水口剪刀，长咀钳，刀片，锉刀，镊子钳，钻，剪刀，瞬间快干胶。
- 软布同砂纸同时也应该是必备工具。
- 请使用塑料胶水和油漆，模型内不含。
- 谨防小孩吸吮塑料零件，或者将塑料袋套在头上，制作时应将套材远离小孩接触。
- 本产品不适合14岁以下没有经验的模型爱好者。

### 水贴纸的使用:

- 1.从水贴纸上剪下印花;
- 2.将印花放入温水中浸10秒,然后放在干净布上。
- 3.拿着印花纸板将印花移到模型上;
- 4.手指蘸水将印花移到适当的位置;
- 5.用软布轻压印花直至水干, 气泡消失

### DECAL APPLICATION

- 1.Cut decals from sheet as needed
- 2.Dip the decal in warm water for about 10 seconds and then place on soft clean cloth.
- 3.Hold the decal backing sheet edge and gently slide the decal onto the model in its proper position.

- 4.While still wet,decal can be adjusted for better fit on model by dampening it gently with your finger.
- 5.When placed in the proper position,gently press decal down with a soft cloth until excess water and air bubbles are gone.
- 6.Allow decal to dry completely before handling model.



配重  
Weight



锉平  
File / Sand



使用强力胶  
Cyanoacrylate glue



选择  
Option



钻孔  
Make hole



不涂胶水  
No cement



切除  
Cut / Remove



弯曲  
Bend

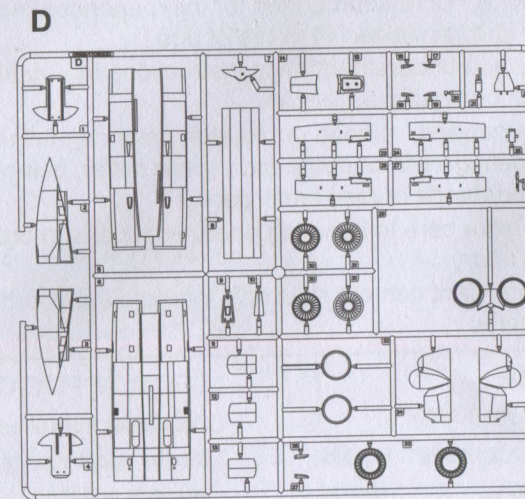
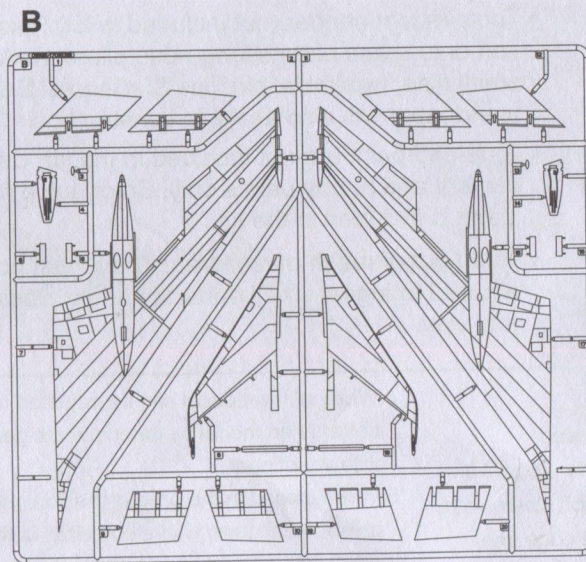
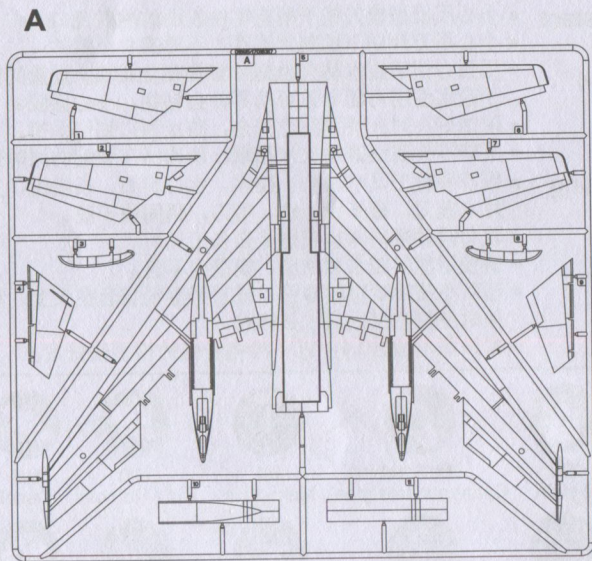
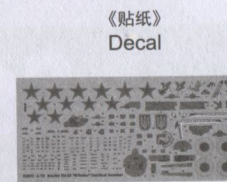
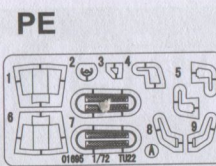
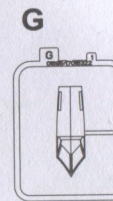
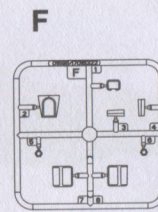
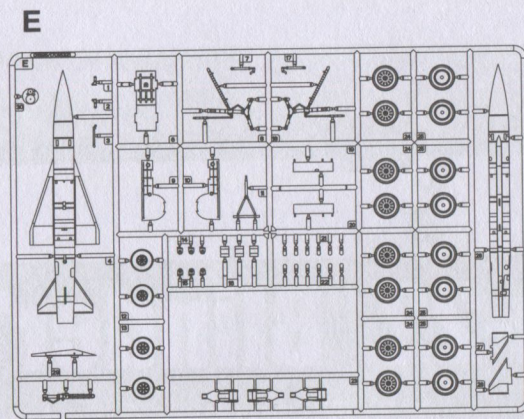
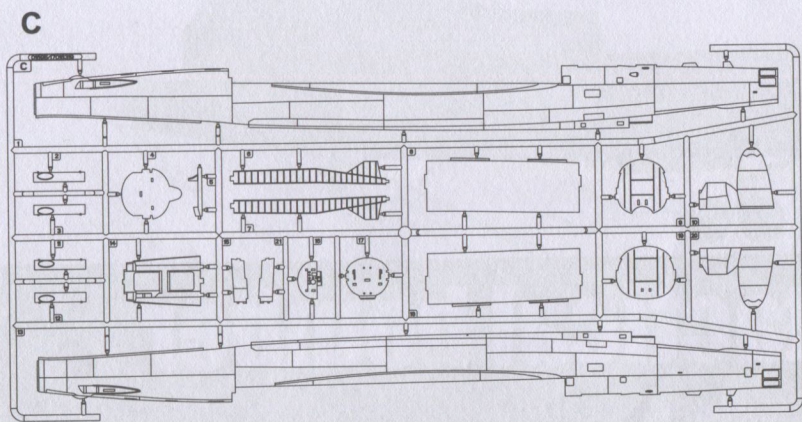


贴纸  
Decal

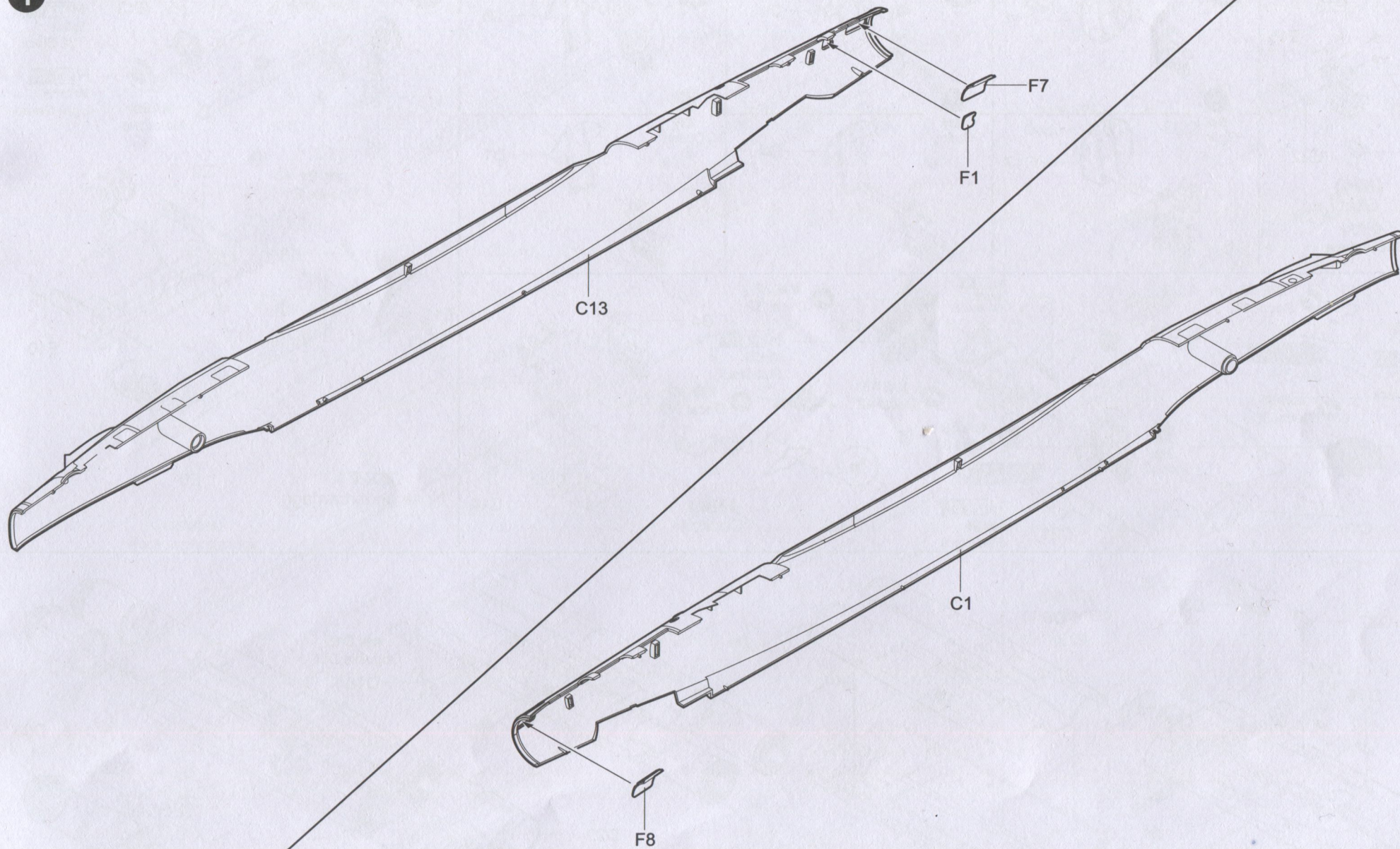


先装  
Install it first

部品图  
Parts



1



**2** E14 E23 E15  
E21 E16 E22  
《座椅》  
Seat  
制作3组  
Make three

**3** C17  
? 选择 Option

**4** D4  
? 选择 Option

**5** D1  
? 选择 Option

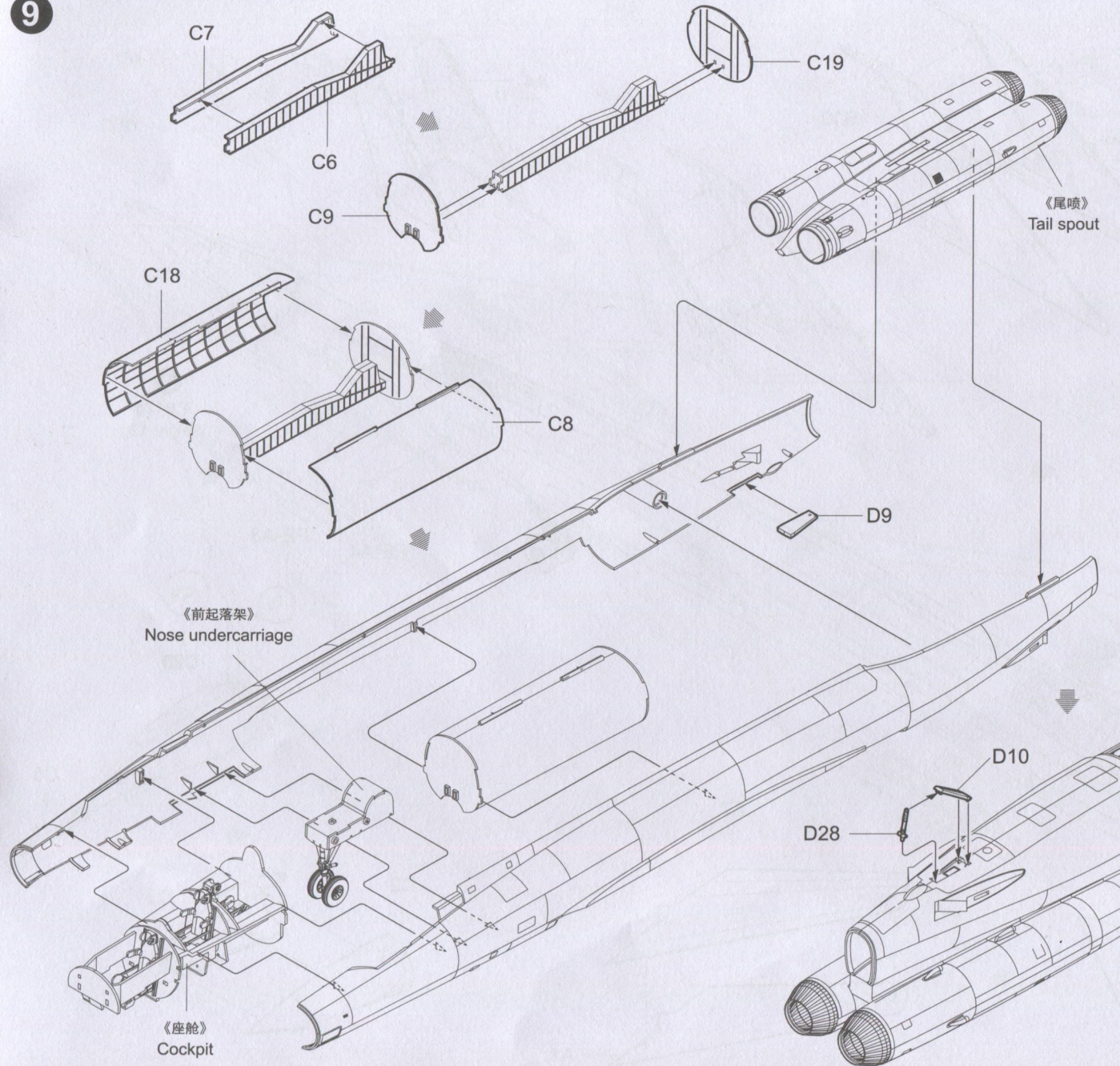
**7** 对侧相同 Both sides  
E12 E13 H77 137 胎黑色 Tire Black  
H319 319 薄松叶色 Light Green  
制作2组 Make two  
E5 E2 对侧 E1 Opposite E1  
E3  
E11 E9 E10 E6

**6** 贴纸 40 Decal 40  
H12 33 消光黑 Flat Black  
贴纸 35 Decal 35  
C15  
贴纸 41 Decal 41  
H12 33 消光黑 Flat Black  
贴纸 42 Decal 42  
贴纸 39 Decal 39  
H12 33 消光黑 Flat Black  
C16 C21  
D4  
贴纸 37 Decal 37  
H12 33 消光黑 Flat Black  
贴纸 36 Decal 36  
D7  
PE-A2  
《座舱》  
Cockpit  
C14

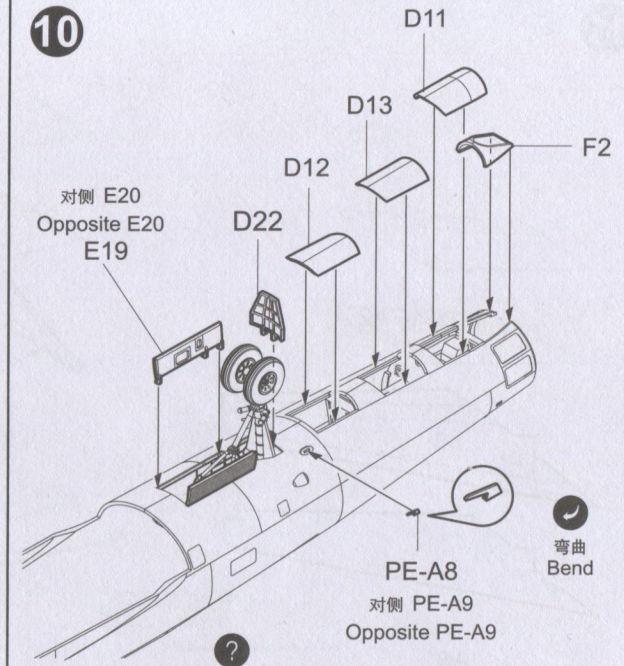
《前起落架》  
Nose undercarriage  
E6

**8** D37 D36 D17 D19 D5 D6 D30 D29 D31 D32 D33  
对侧 D16 Opposite D16  
D18  
《尾喷》  
Tail spout  
制作2组 Make two

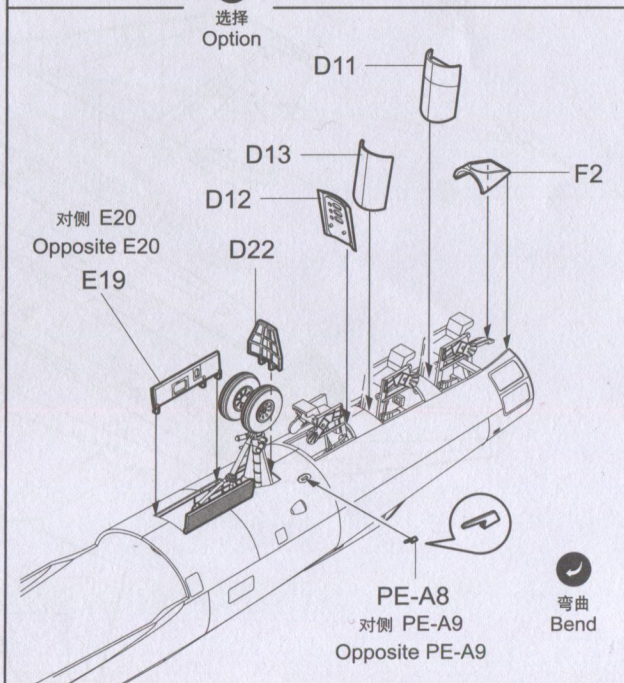
9

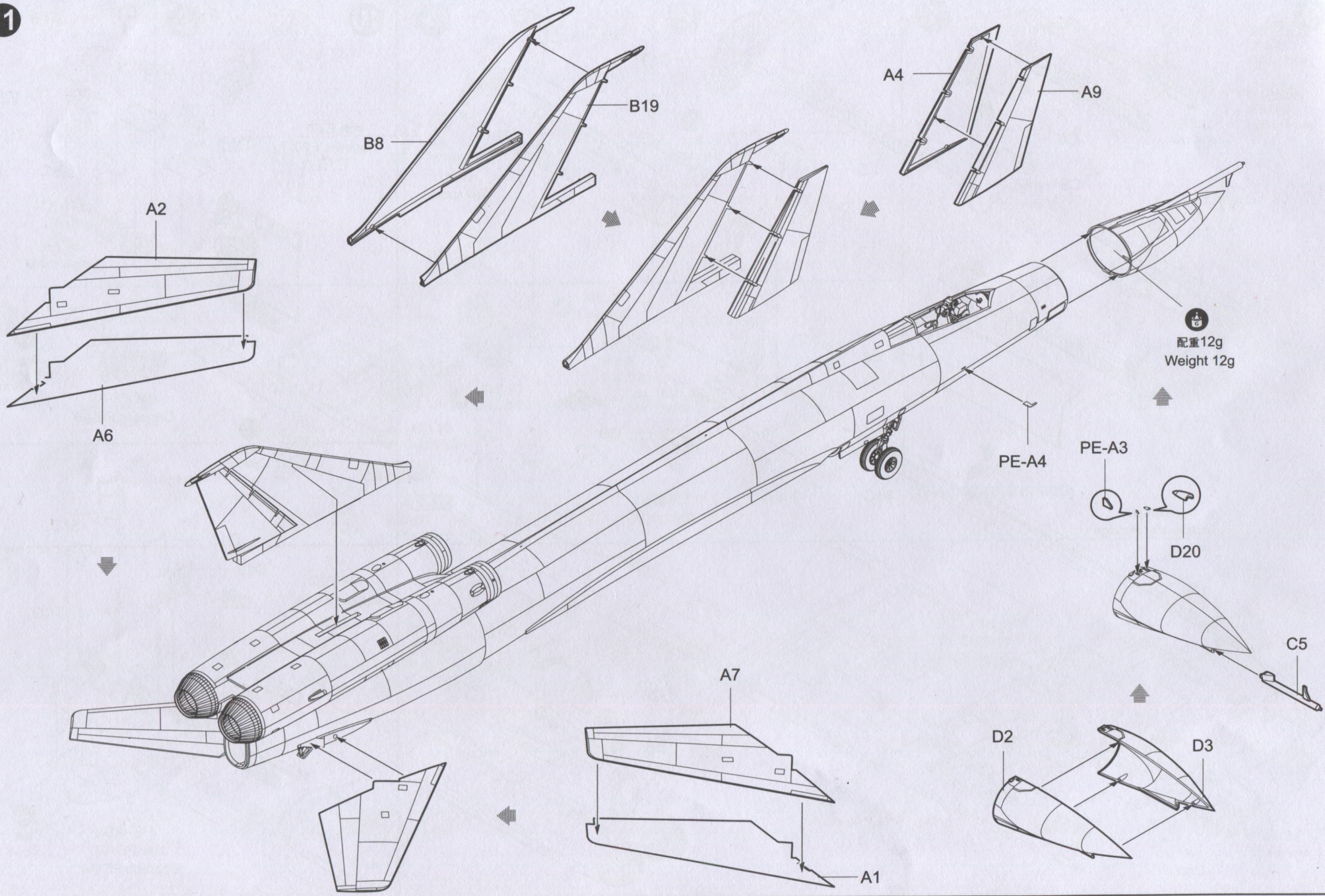


10

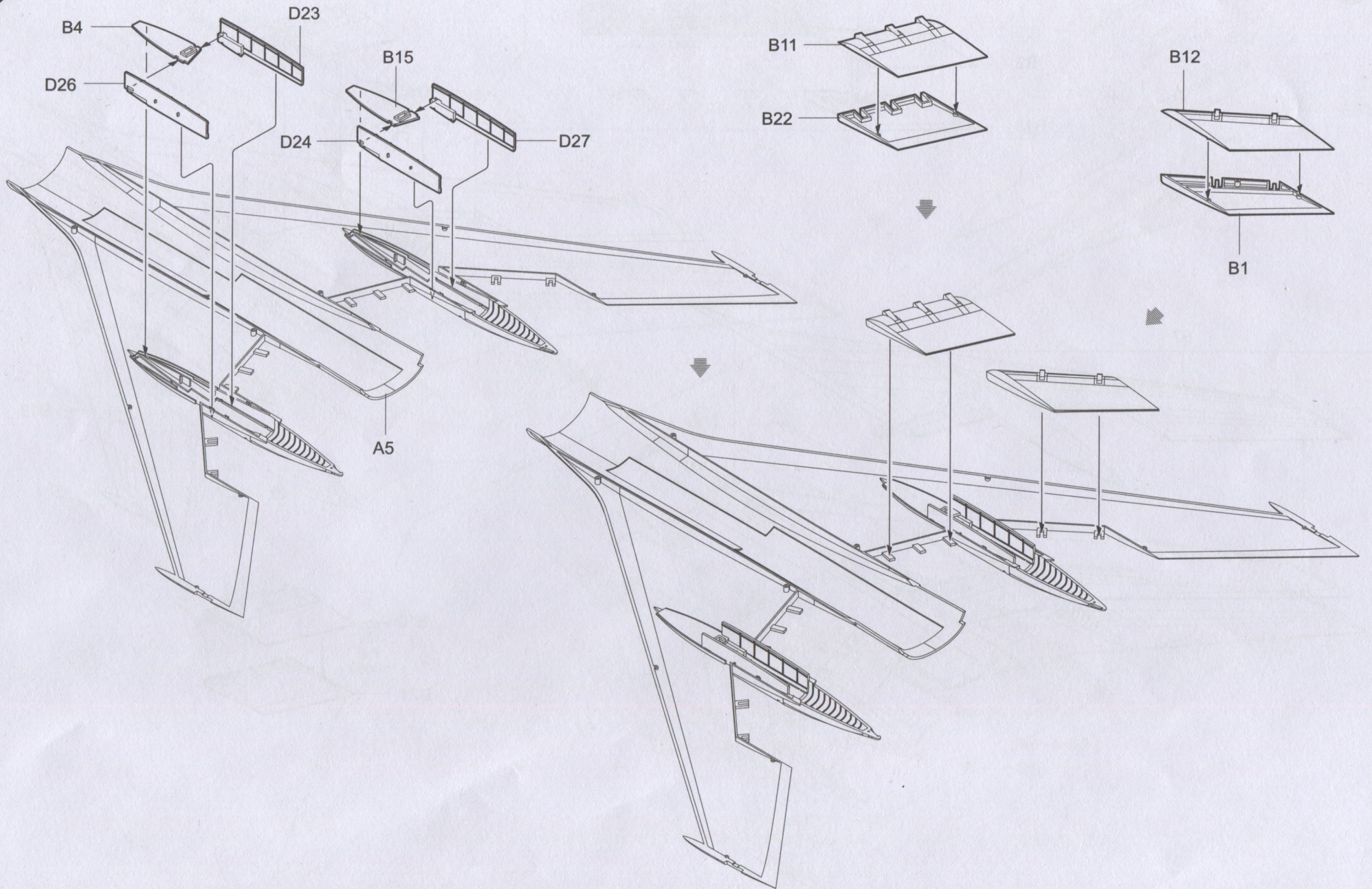


?  
选择  
Option

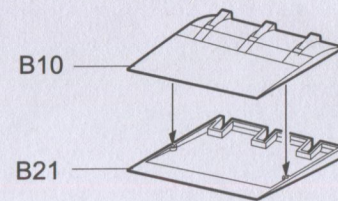
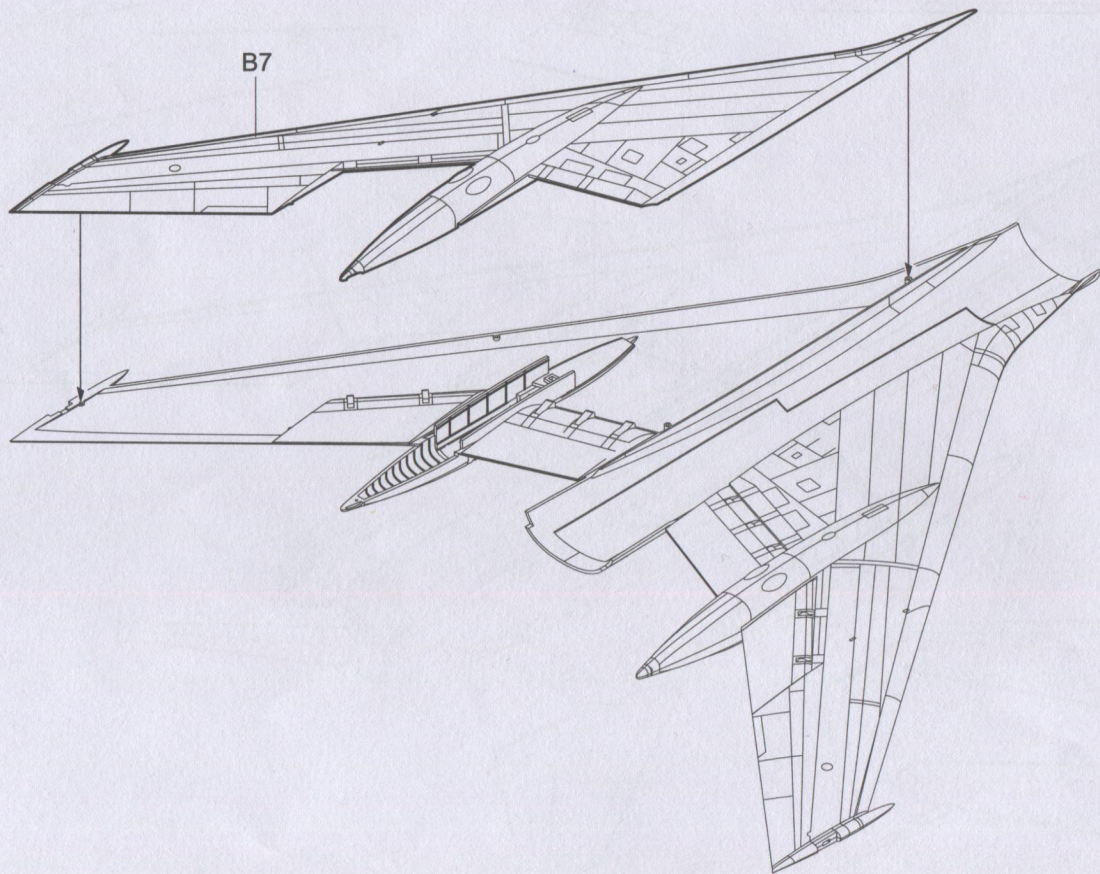
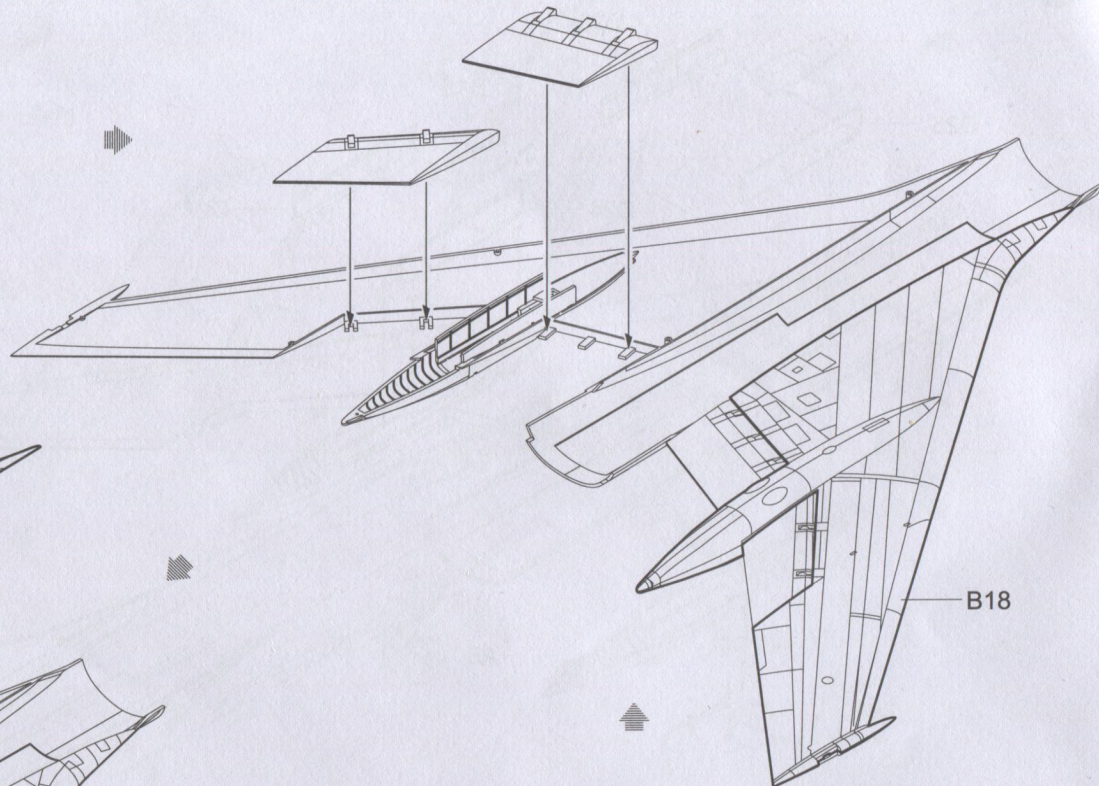
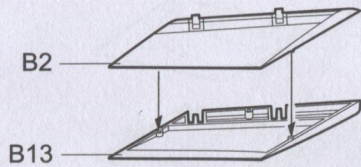




12



13



14

A10

D8



切除  
Cut / Remove

E29

E27

E30

E26

E4

E28

B3

B14

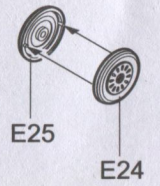
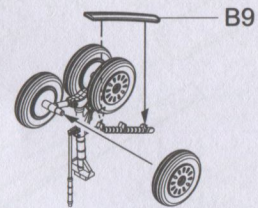
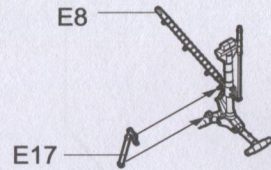
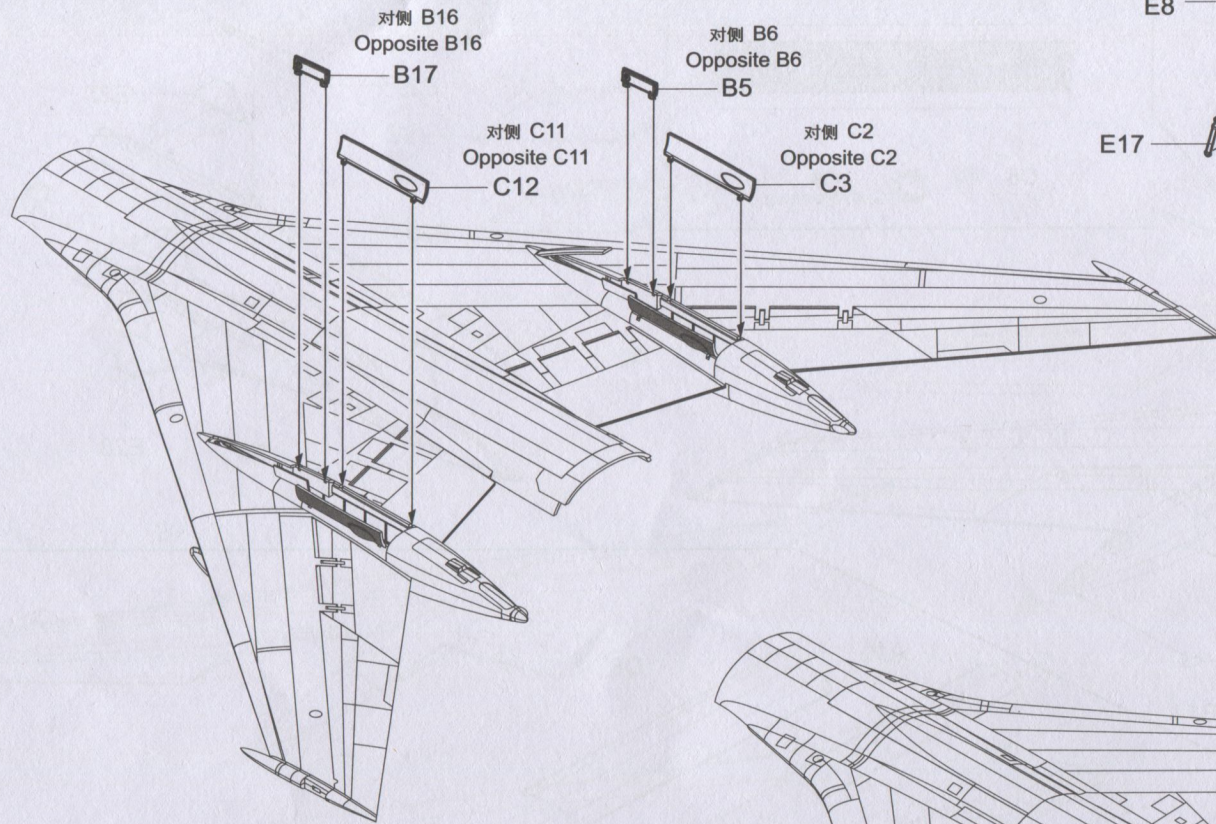
?  
选择  
Option

A11

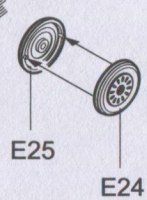
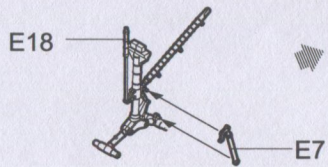
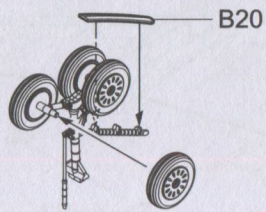
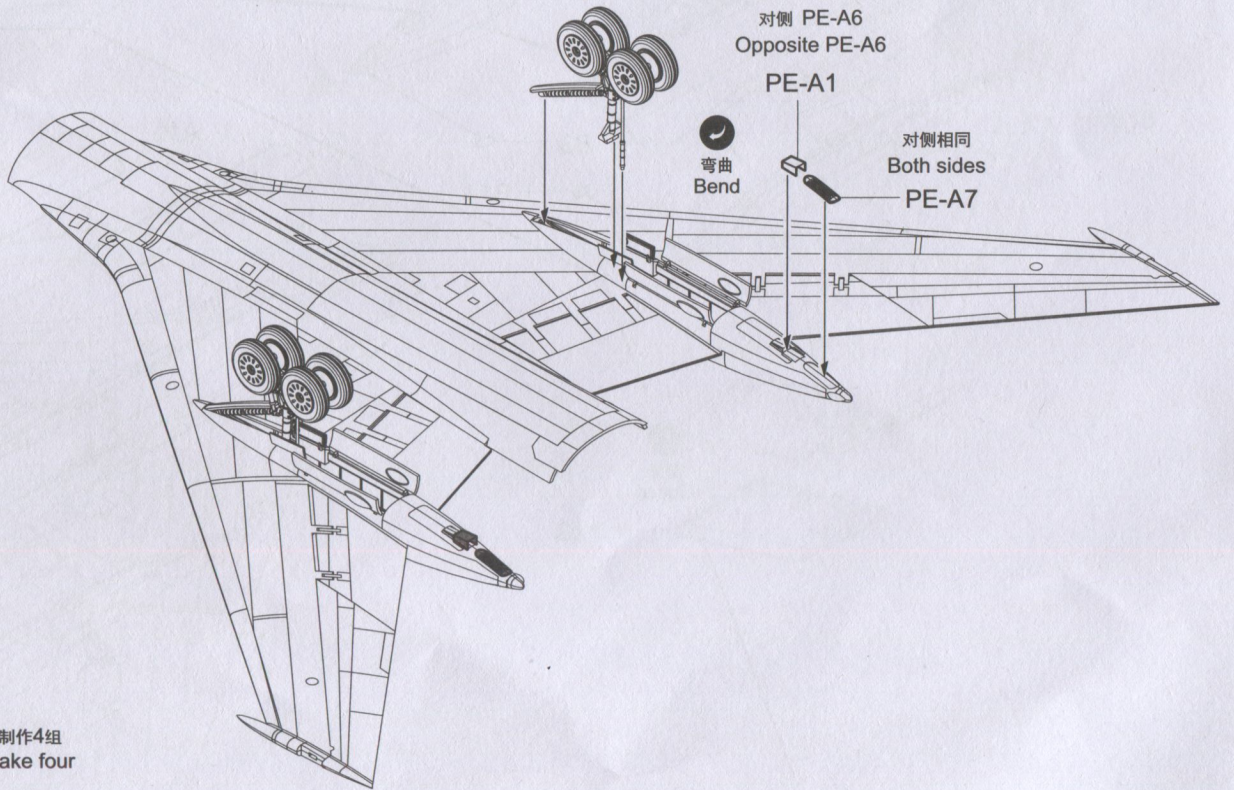
D8

B3

B14



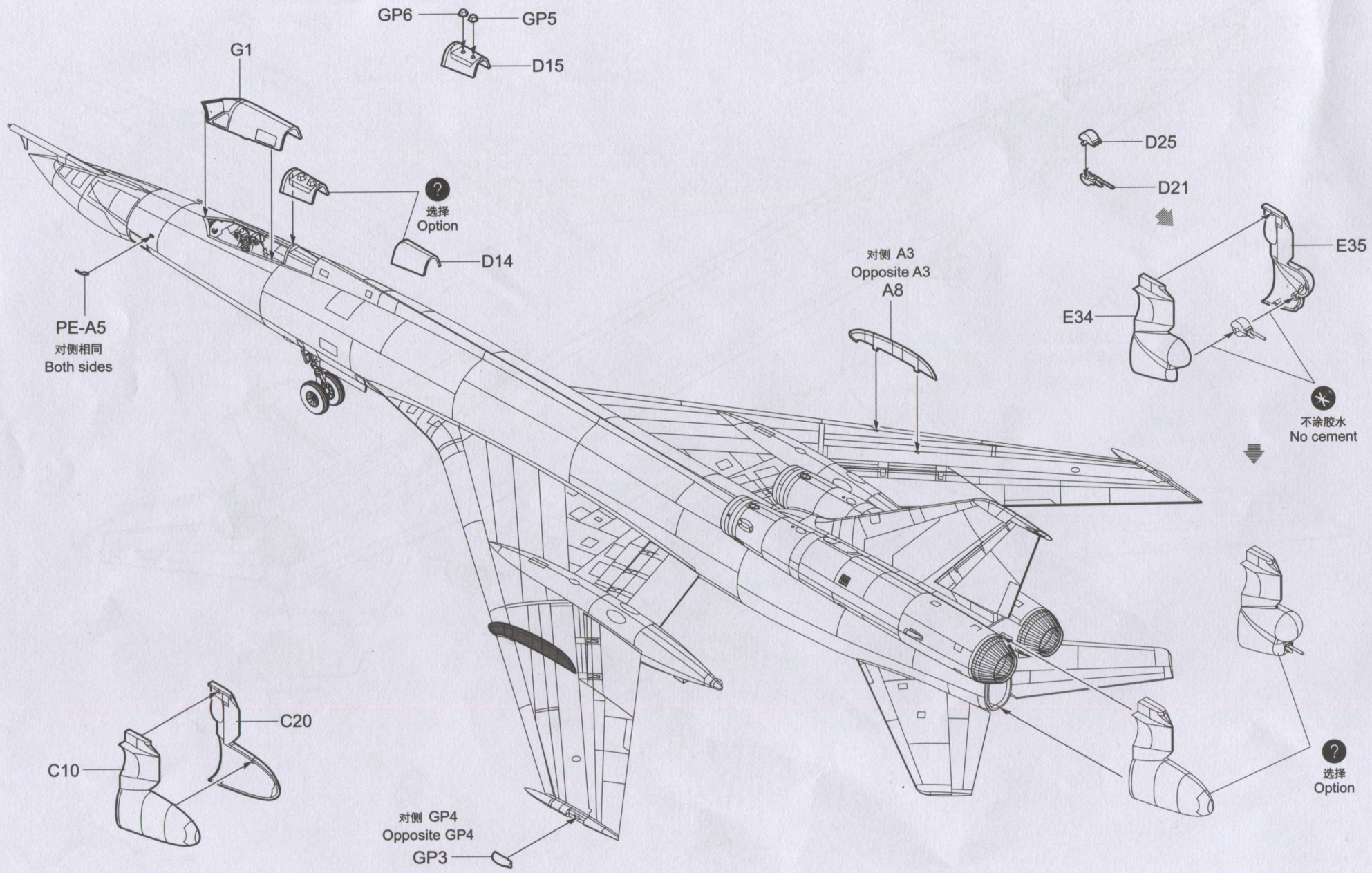
制作4组  
Make four



制作4组  
Make four



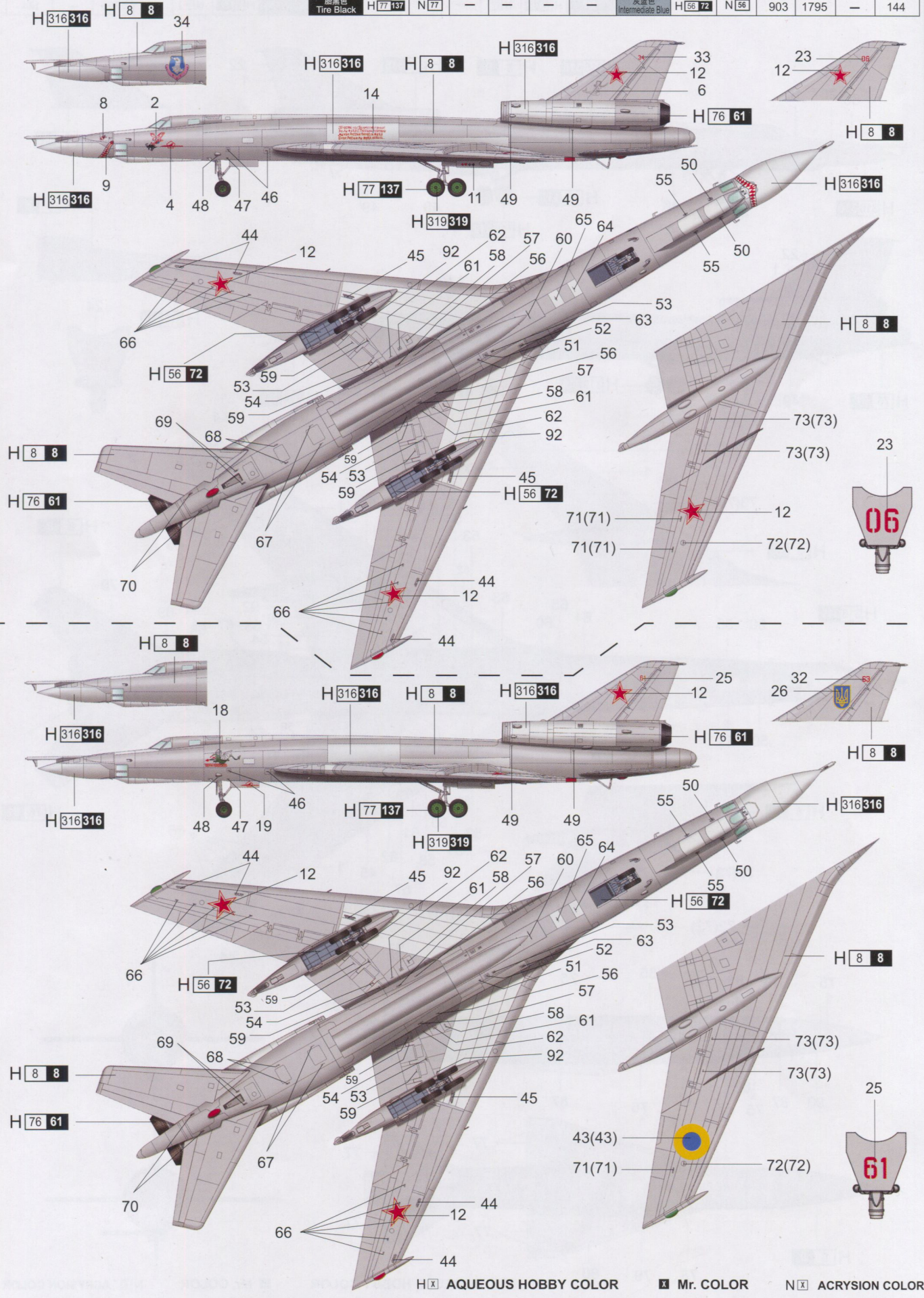
17



# 涂装同标贴指示 Painting & Marking guide

## PAINT REFERENCE COLOR

Color	Mr.Hobby	Acrycion	Vallejo	Model Master	Tamiya	Humbrol	Color	Mr.Hobby	Acrycion	Vallejo	Model Master	Tamiya	Humbrol
青松叶色 Light Green	H 319 319	N 319	—	1713	—	117	银色 Silver	H 8 8	N 8	997	1546	X11	11
白色 White	H 316 316	N 316	991	1745	X2	22	烧铁色 Burnt Iron	H 76 61	N 76	863	1795	X10	53
胎黑色 Tire Black	H 77 137	N 77	—	—	—	—	灰蓝色 Intermediate Blue	H 56 72	N 56	903	1795	—	144

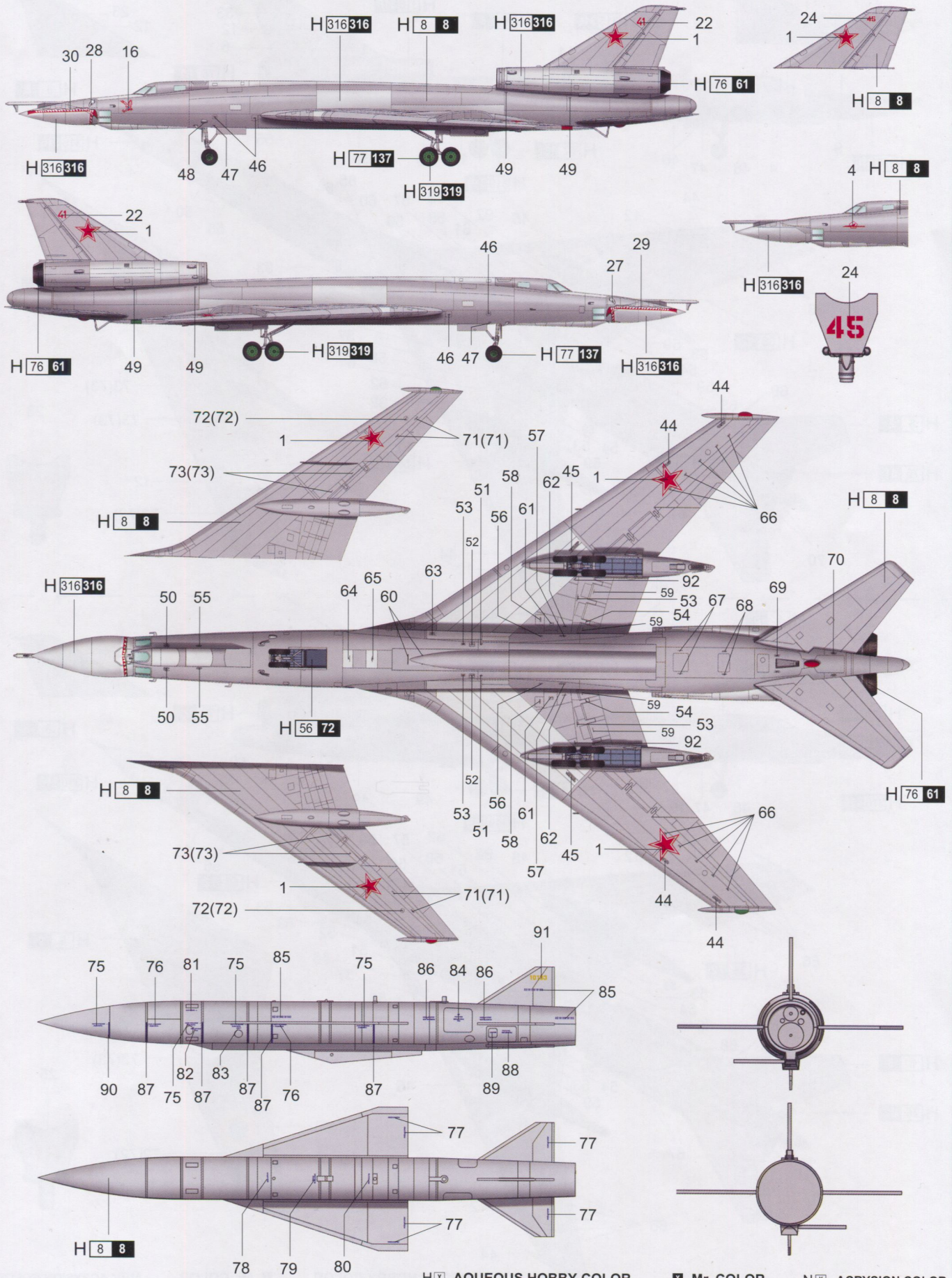


01695 1/72 Soviet Tu-22 "Blinder" tactical Bomber

H [ ] AQUEOUS HOBBY COLOR    X [ ] Mr. COLOR    N [ ] ACRYCION COLOR

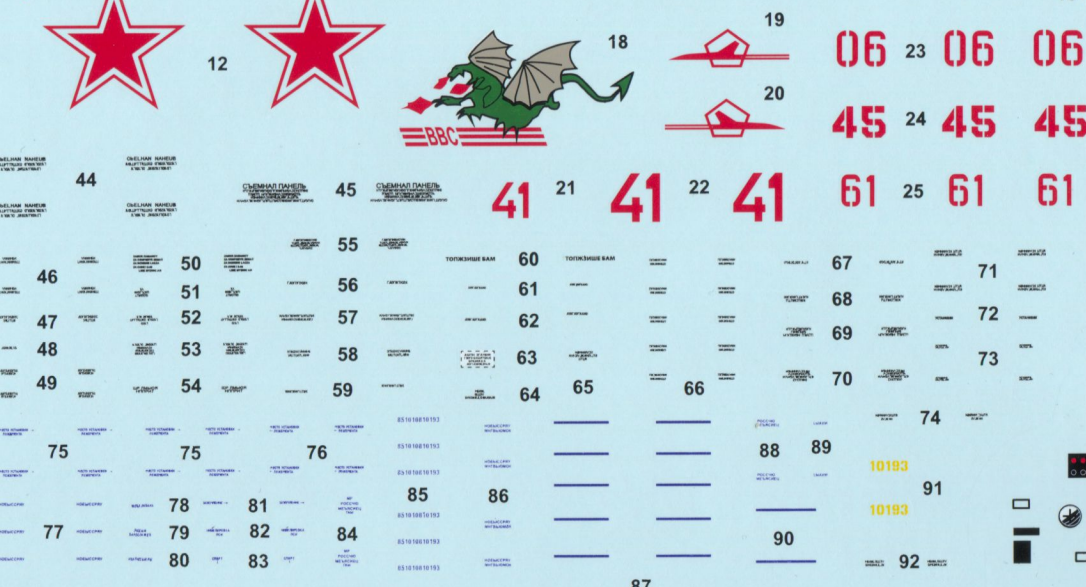
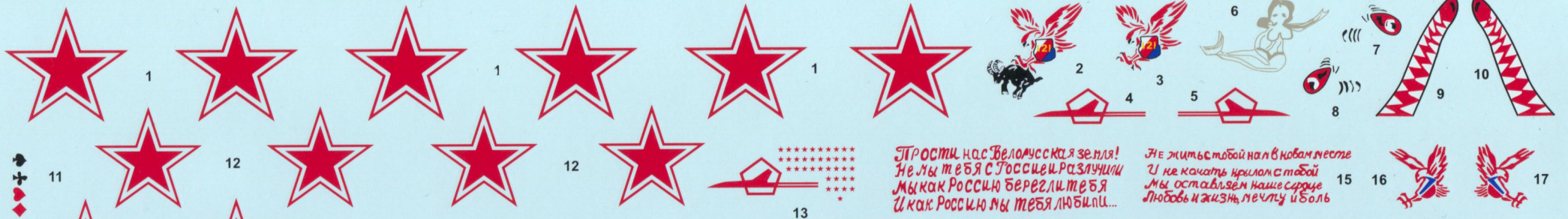
# 涂装同标贴指示 Painting & Marking guide

PAINT REFERENCE COLOR													
Color	Mr.Hobby	Acrycion	Vallejo	Model Master	Tamiya	Humbrol	Color	Mr.Hobby	Acrycion	Vallejo	Model Master	Tamiya	Humbrol
青松叶色 Light Green	H 819 319	N 819	—	1713	—	117	银色 Silver	H 8 8	N 8	997	1546	X11	11
白色 White	H 816 316	N 816	991	1745	X2	22	烧铁色 Burnt Iron	H 76 61	N 76	863	1795	X10	53
胎黑色 Tire Black	H 77 137	N 77	—	—	—	—	灰蓝色 Intermediate Blue	H 56 72	N 56	903	1795	—	144



01695 1/72 Soviet Tu-22 "Blinder" tactical Bomber

H X AQUEOUS HOBBY COLOR    Mr. COLOR    N X ACRYCION COLOR



**01695 1/72 Soviet Tu-22 "Blinder" tactical bomber**