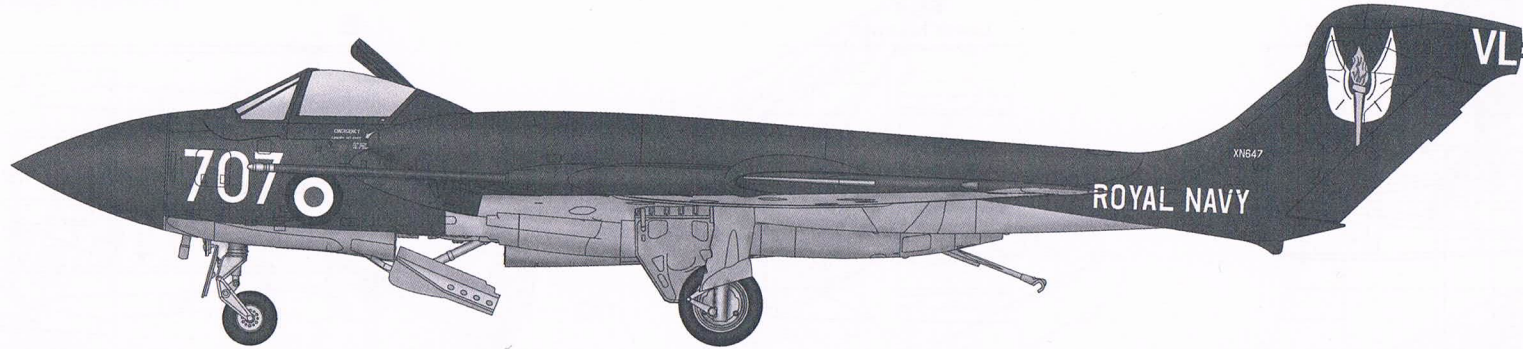


1/48 SCALE

ITEM NO.:05808



de Havilland DH.110 Sea Vixen Faw.2

英国“海雌狐”舰载战斗机

READ BEFORE ASSEMBLY:

- This kit is not recommended for inexperienced modelers or for children under 14 years of age
- Study and understand these instructions thoroughly before beginning assembly
- When needed, remove photo-etch parts carefully using a modeling knife or photo etch sprue cutter, being careful not to damage or lose small parts.
- Take extra care in handling photo etch parts in order to avoid injury
- Apply instant cement sparingly to photo etch parts where instructed

- Tools recommended(not included in kit):Plastic and instant cements,sprue cutters,long nose pliers,modeling knife, small files, tweezers, pin vise & scissors. Soft cloth and sandpaper will also assist in construction
- Glue and paint are not included in the kit. Use plastic cement and hobby paints only. Color guide for purchasing paint is included in the kit.
- Keep out of reach of children. They must not be allowed to ingest small parts or handle plastic bags in any way.

装配之前仔细阅读

- 小心用模型锉刀锉平所有零件表面的注射浇口。
- 小心用刀片切下蚀刻片零件，不要遗失小零件。
- 用强力快干胶水粘合蚀刻片零件和金属轴。过量的快干胶水使用可能导致可动零件会粘住，小心涂胶。
- 取蚀刻片时应特别注意安全，防止利边划伤手指。
- 某些零件表面需贴水上贴纸，请选择在装配的同时进行。
- 推荐模型工具(自备)：胶水，水口剪刀，长咀钳，刀片，锉刀，镊子钳，钻，剪刀，瞬间快干胶。
- 软布同砂纸同时也应该是必备工具。
- 请使用塑料胶水和油漆，模型内不含。
- 谨防小孩吮吸塑料零件，或者将塑料袋套在头上，制作时应将套材远离小孩接触。
- 本产品不适合14岁以下没有经验的模型爱好者。

水贴纸的使用:

1. 从水贴纸上剪下印花;
2. 将印花放入温水中浸10秒, 然后放在干净布上。
3. 拿着印花纸板将印花移到模型上;
4. 手指蘸水将印花移到适当的位置;
5. 用软布轻压印花直至水干, 气泡消失。

DECAL APPLICATION:

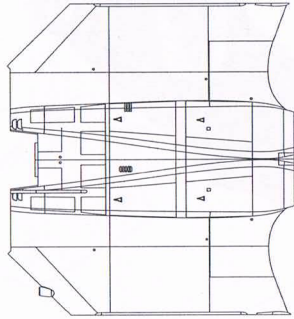
1. Cut decals from sheet as needed
2. Dip the decal in warm water for about 10 seconds and then place on soft clean cloth.
3. Hold the decal backing sheet edge and gently slide the decal onto the model in its proper position.

4. While still wet,decal can be adjusted for better fit on model by dampening it gently with your finger.
5. When placed in the proper position,gently press decal down with a soft cloth until excess water and air bubbles are gone.
6. Allow decal to dry completely before handling model

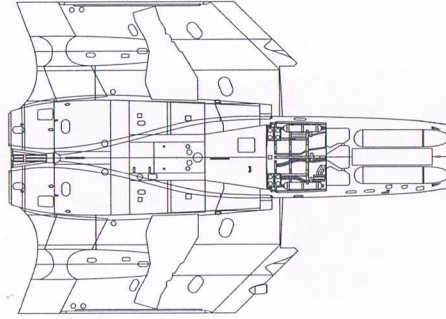


部品图 Parts

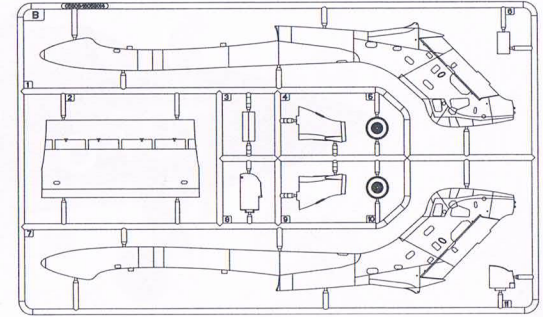
上机身
Upper fuselage



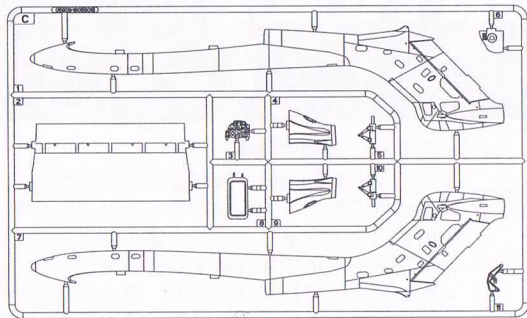
下机身
Lower fuselage



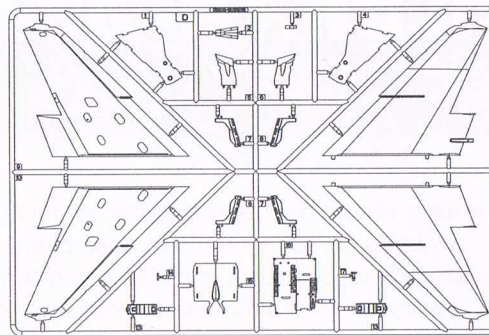
B



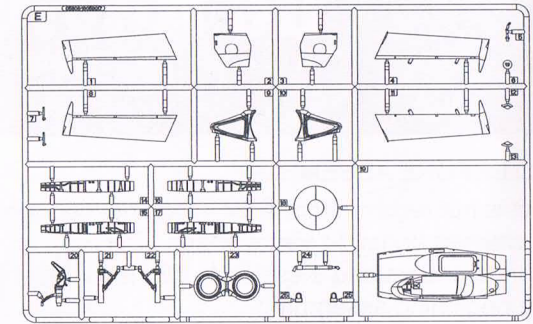
C



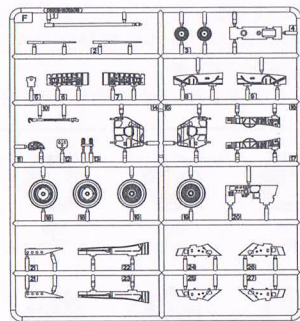
D



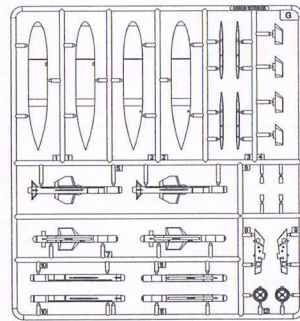
E



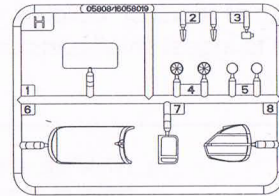
F



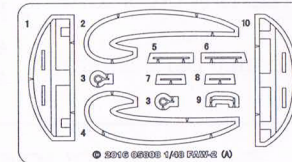
G



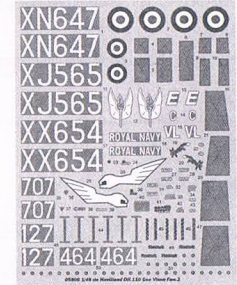
H



《蚀刻片》
PE(A)

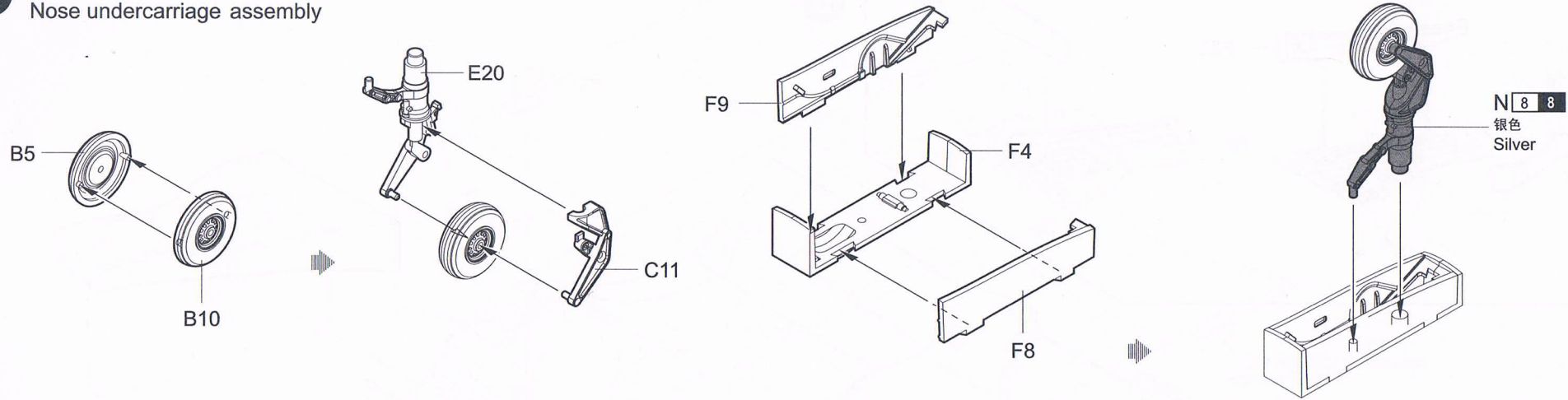


《水贴》
Decal

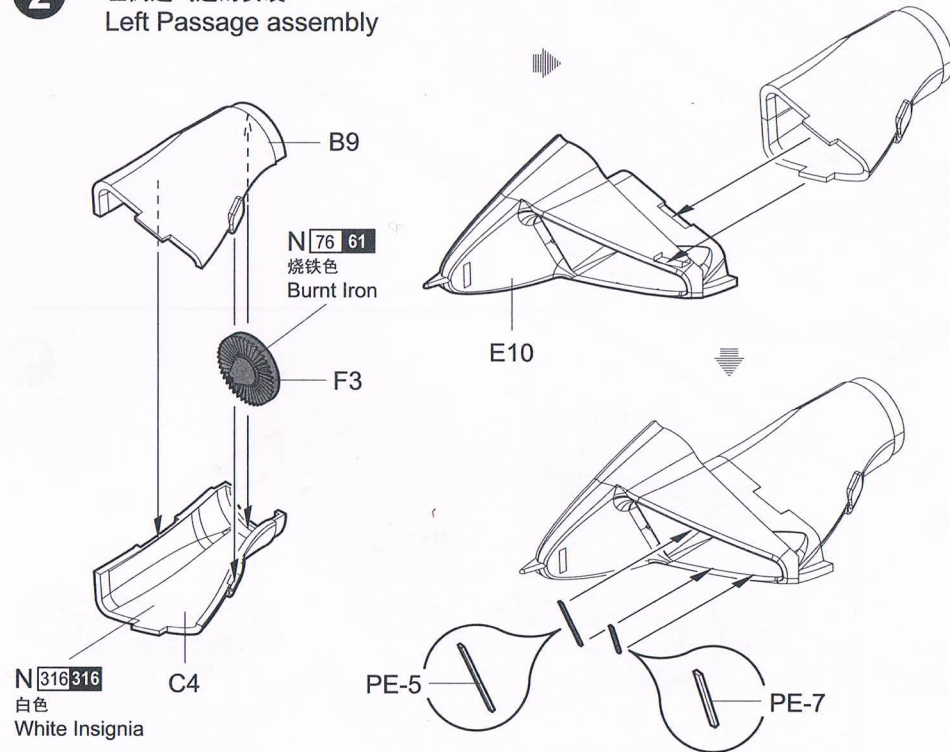


不用的零件: E14;E15;E16;E17
Unused parts

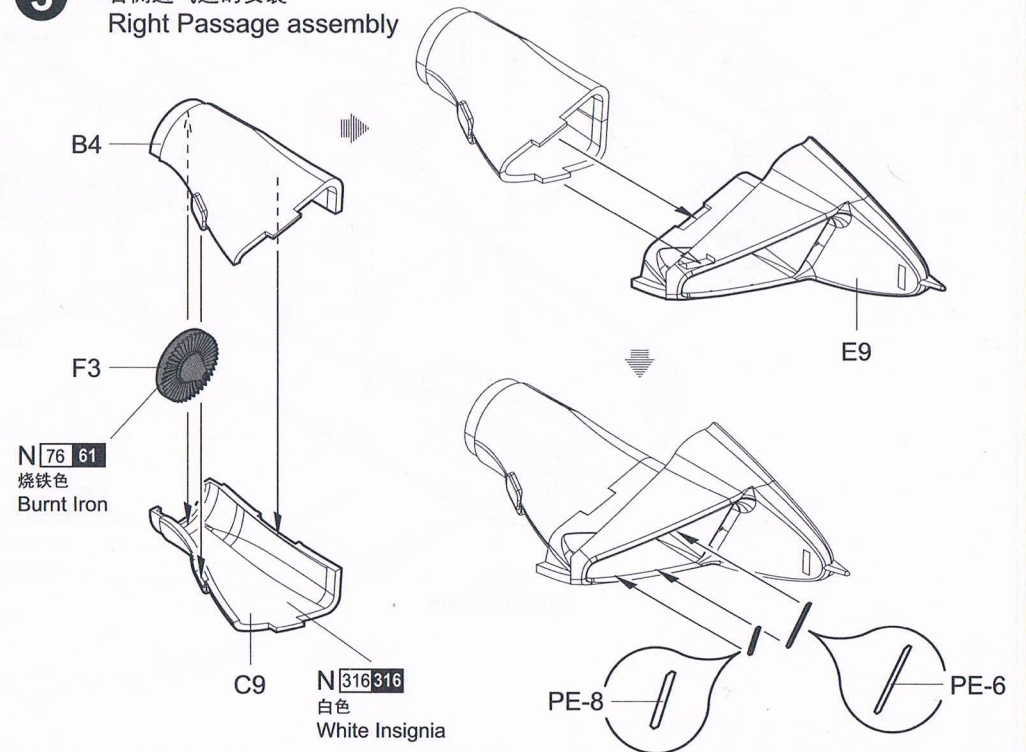
1 前起落架的组装
Nose undercarriage assembly



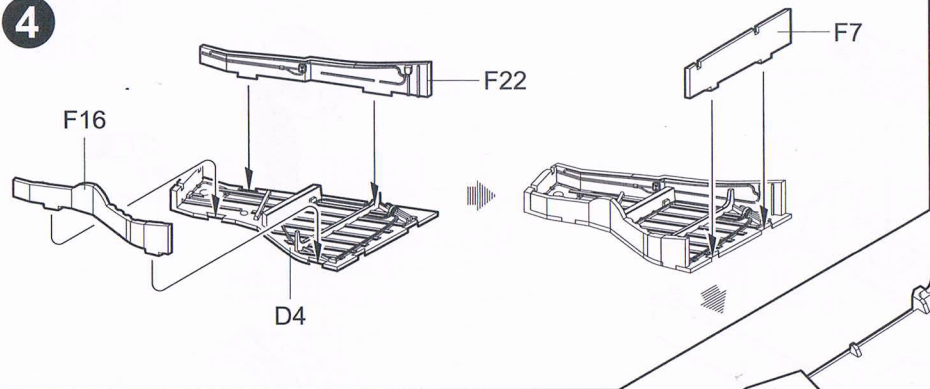
2 左侧进气道的安装
Left Passage assembly



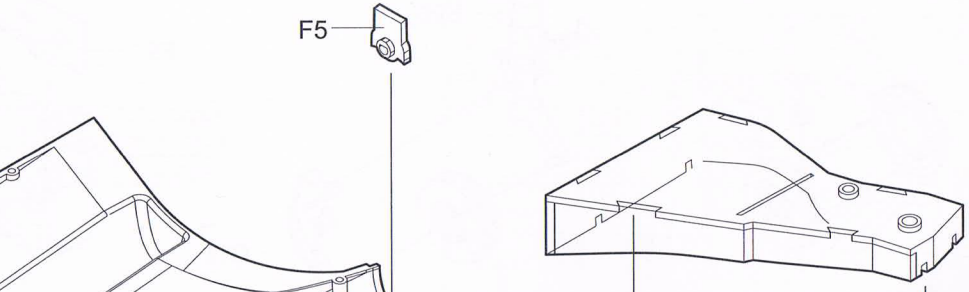
3 右侧进气道的安装
Right Passage assembly



4

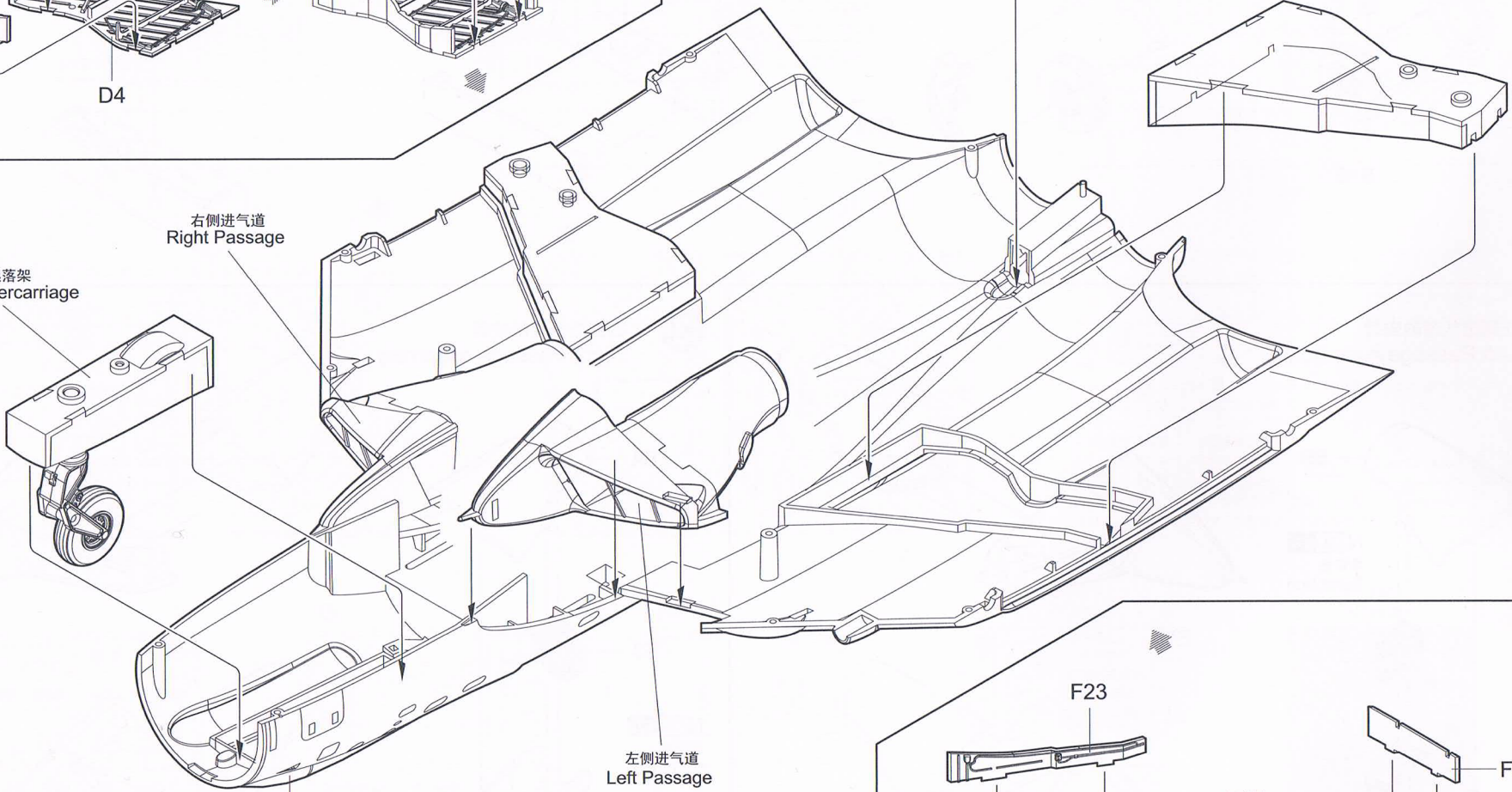


6

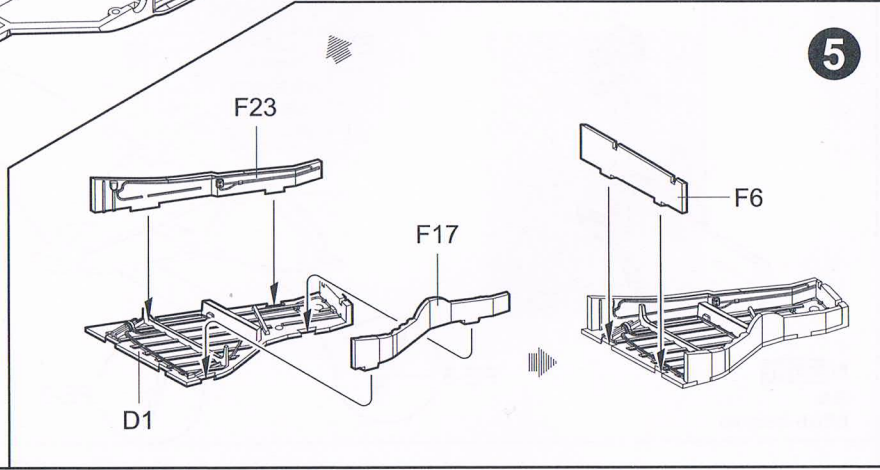


前起落架
Nose undercarriage

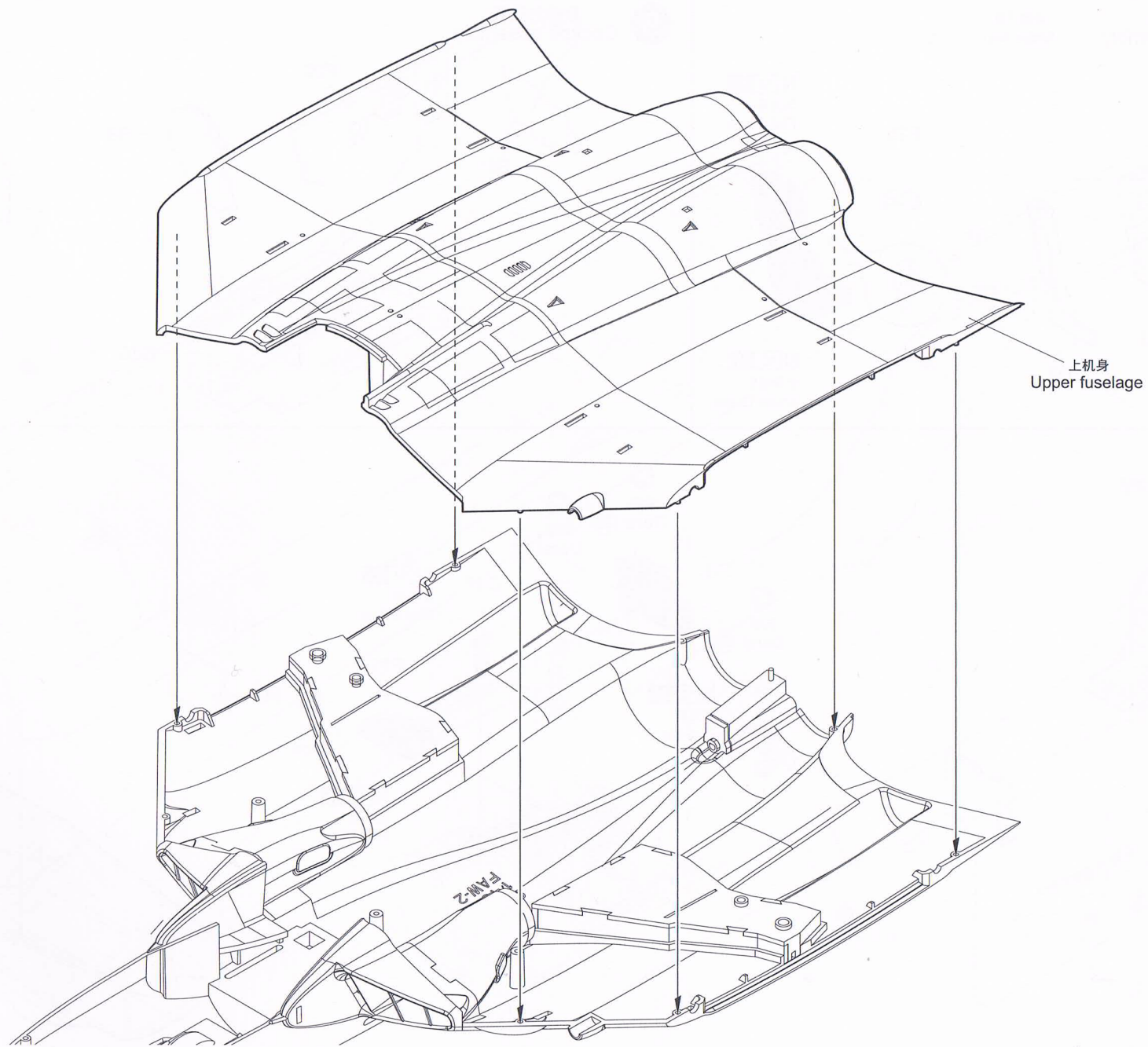
右侧进气道
Right Passage



5

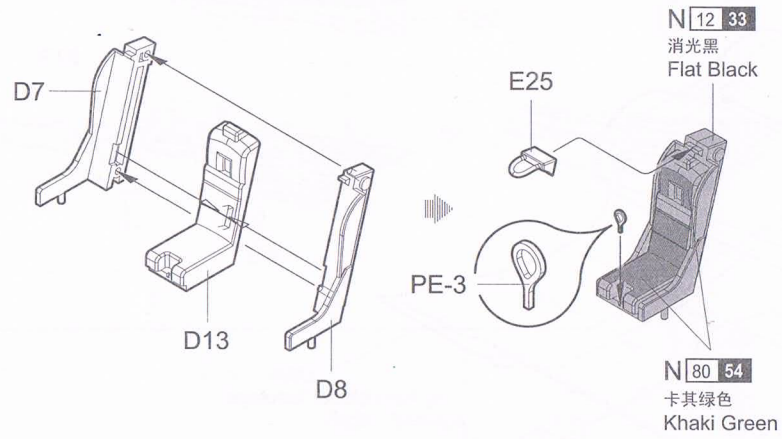


7

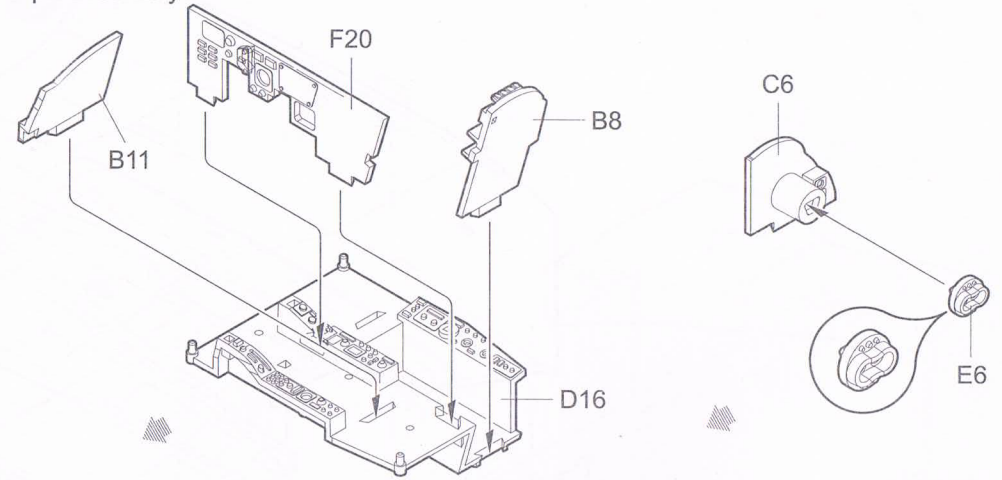


8 座椅的组装
seat chair assembly

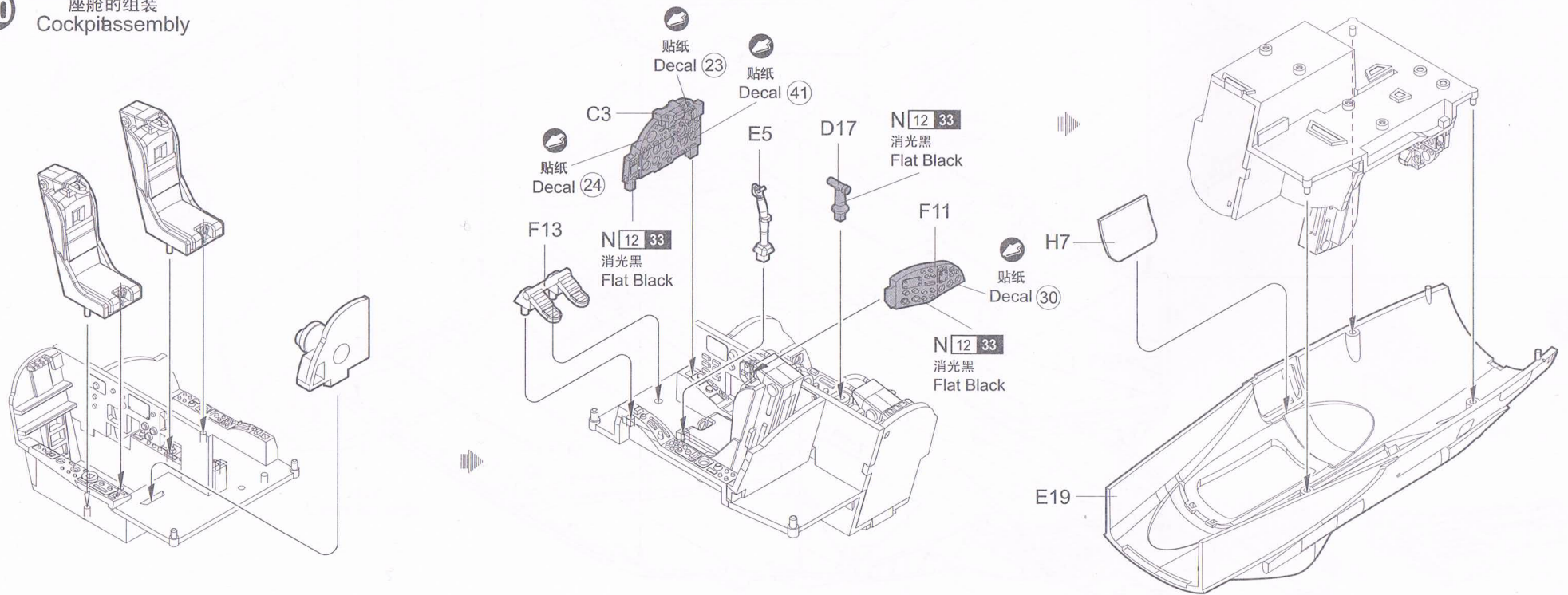
制作2组
Make two



9 座舱的组装
Cockpit assembly

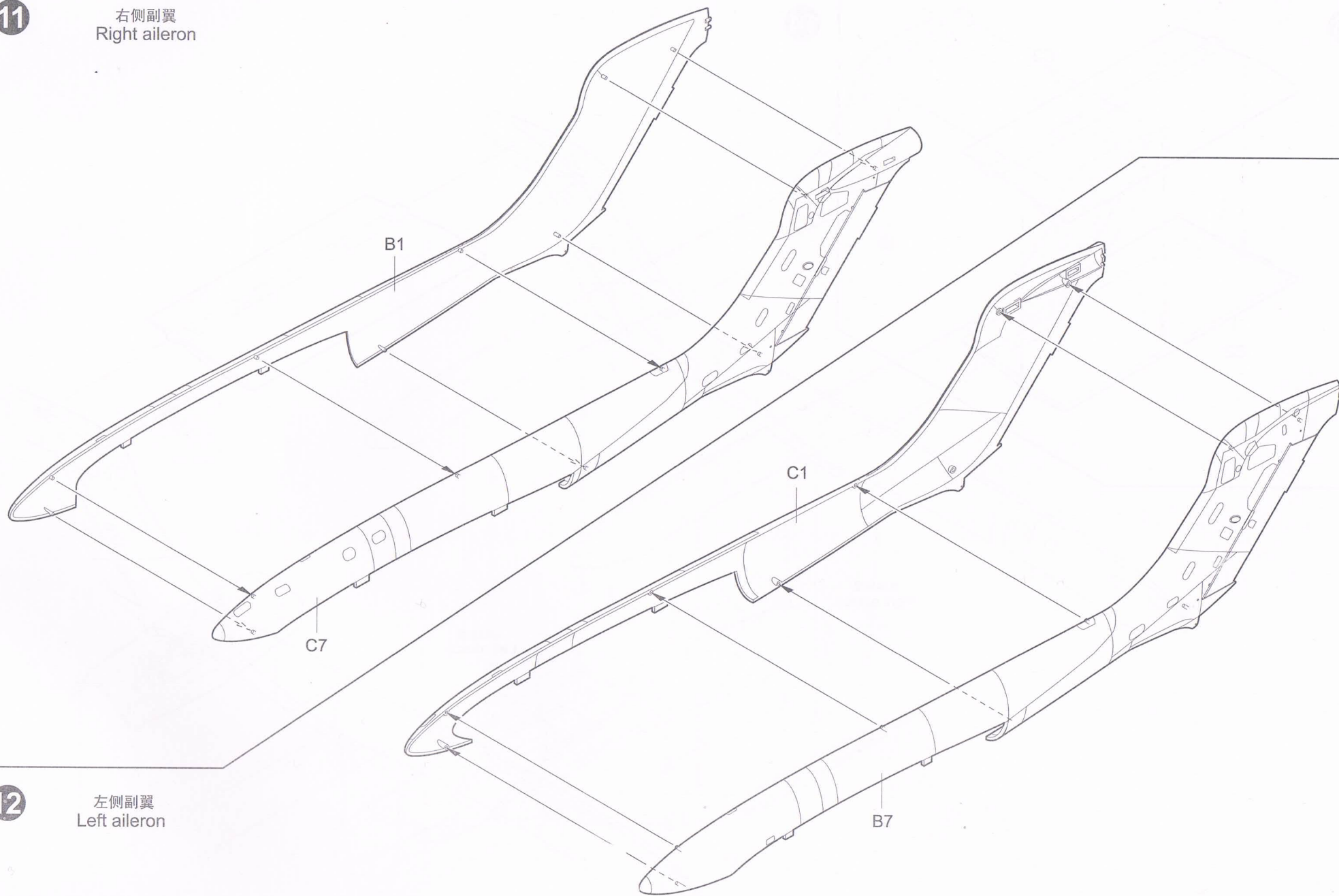


10 座舱的组装
Cockpit assembly



11

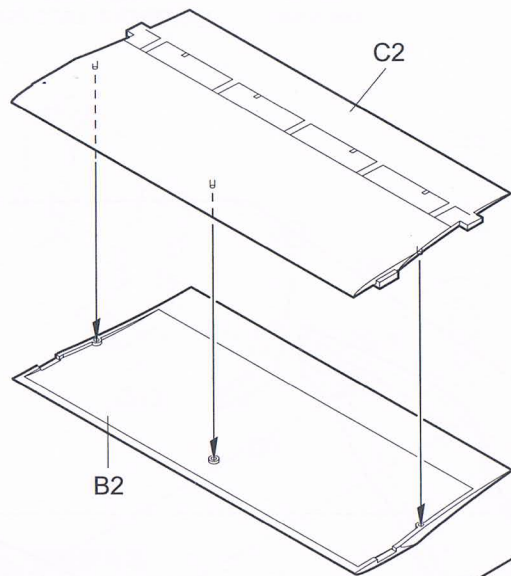
右侧副翼
Right aileron



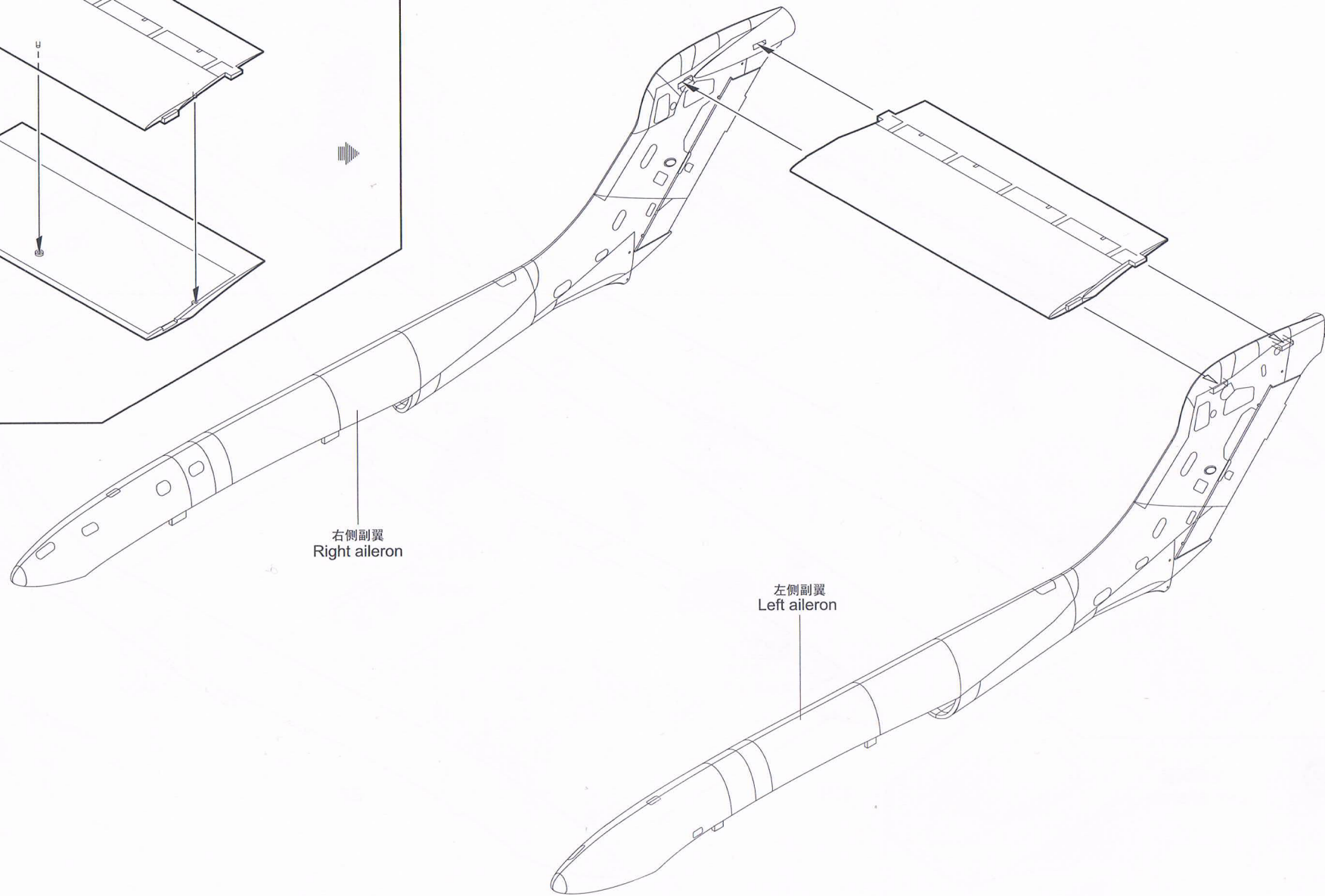
12

左侧副翼
Left aileron

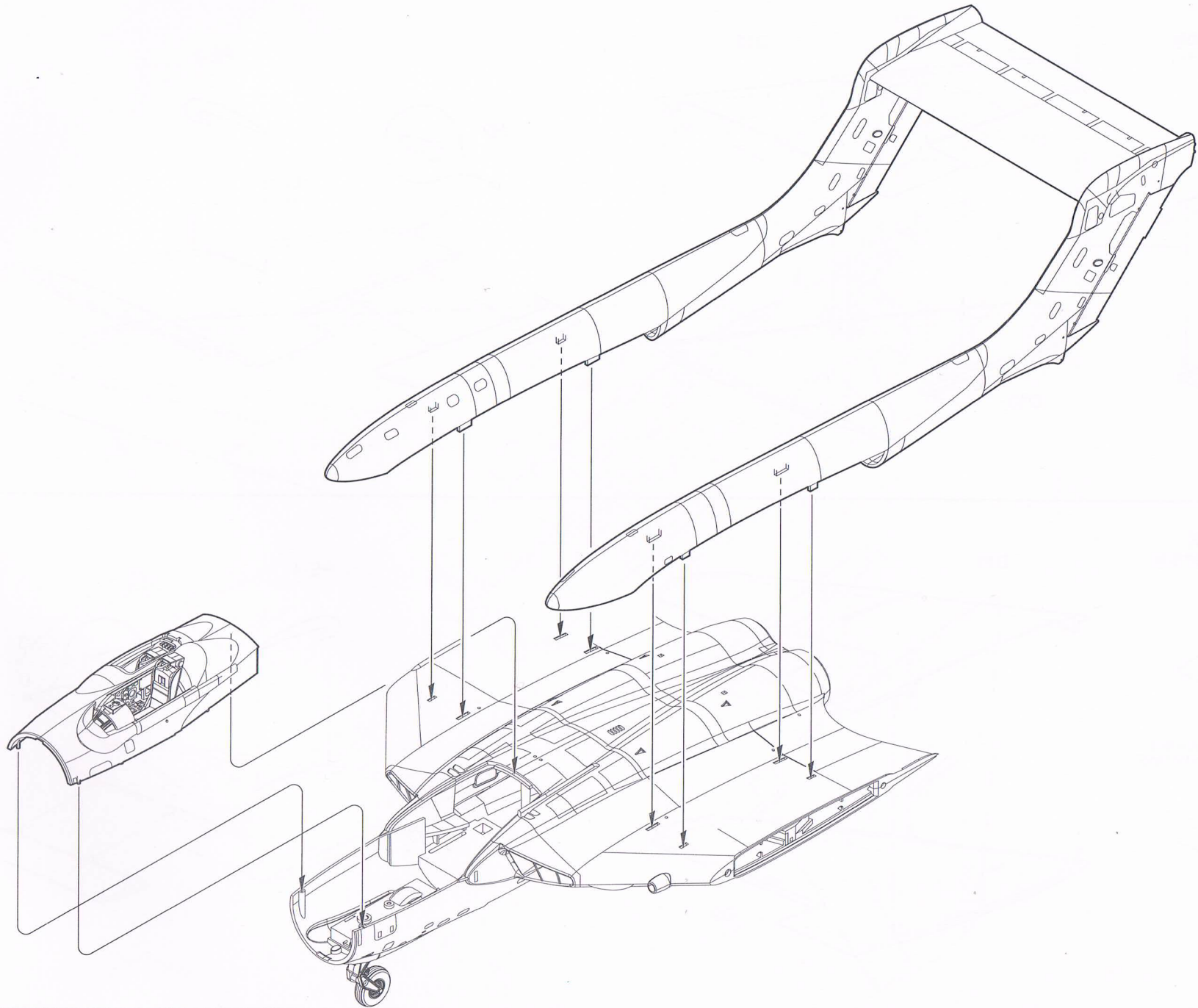
13



14

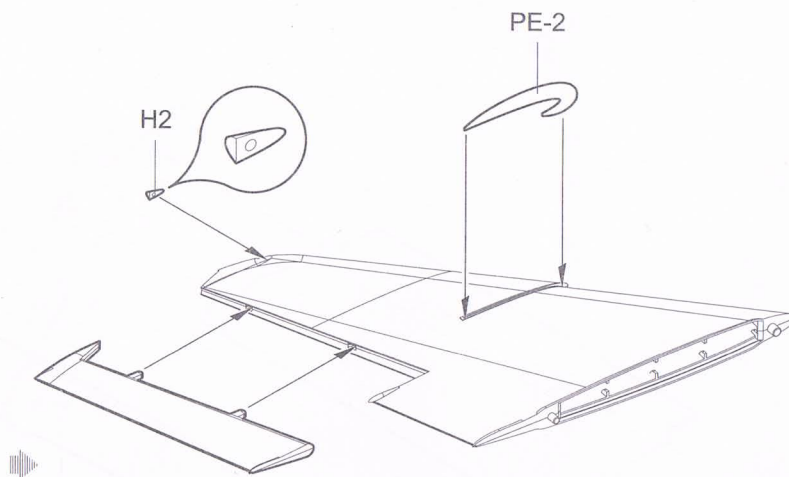
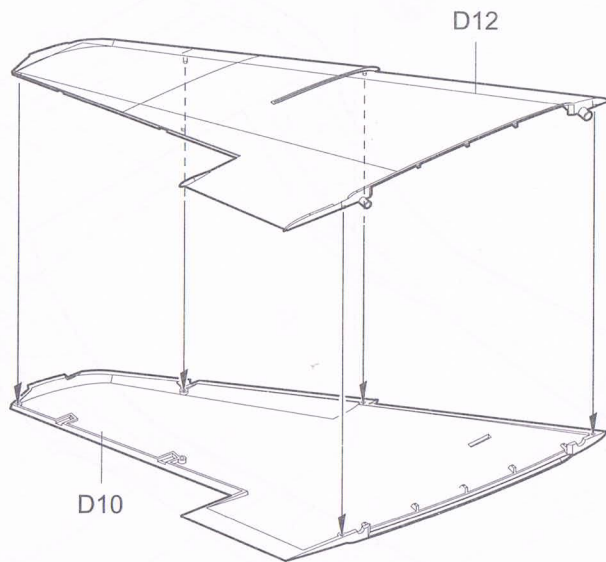
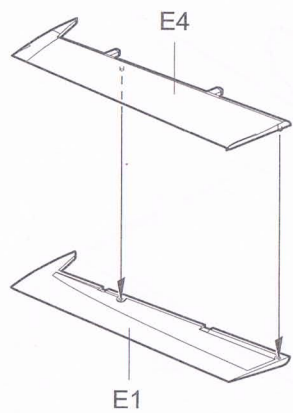


15



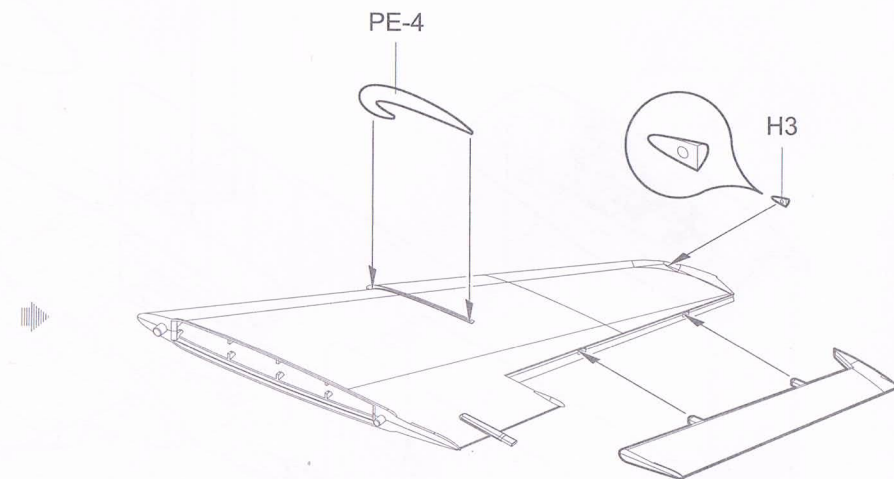
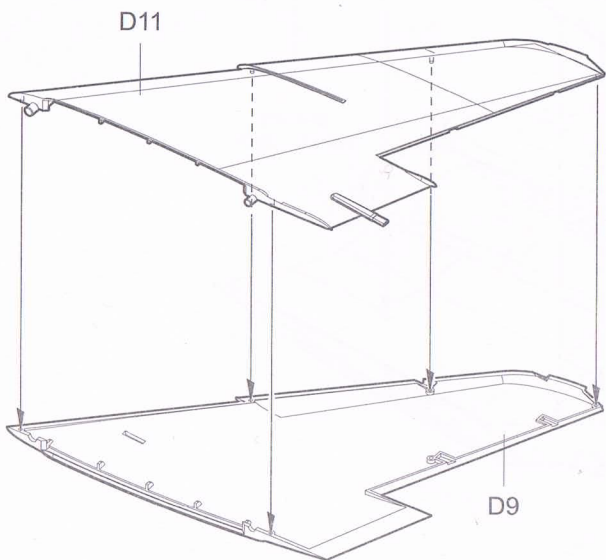
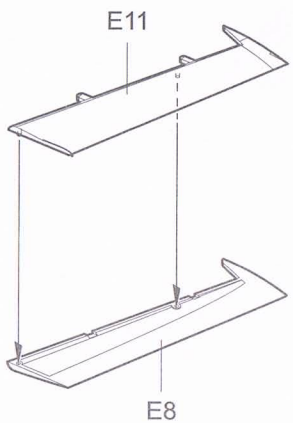
16

左侧机翼的安装
Left Wing assembly

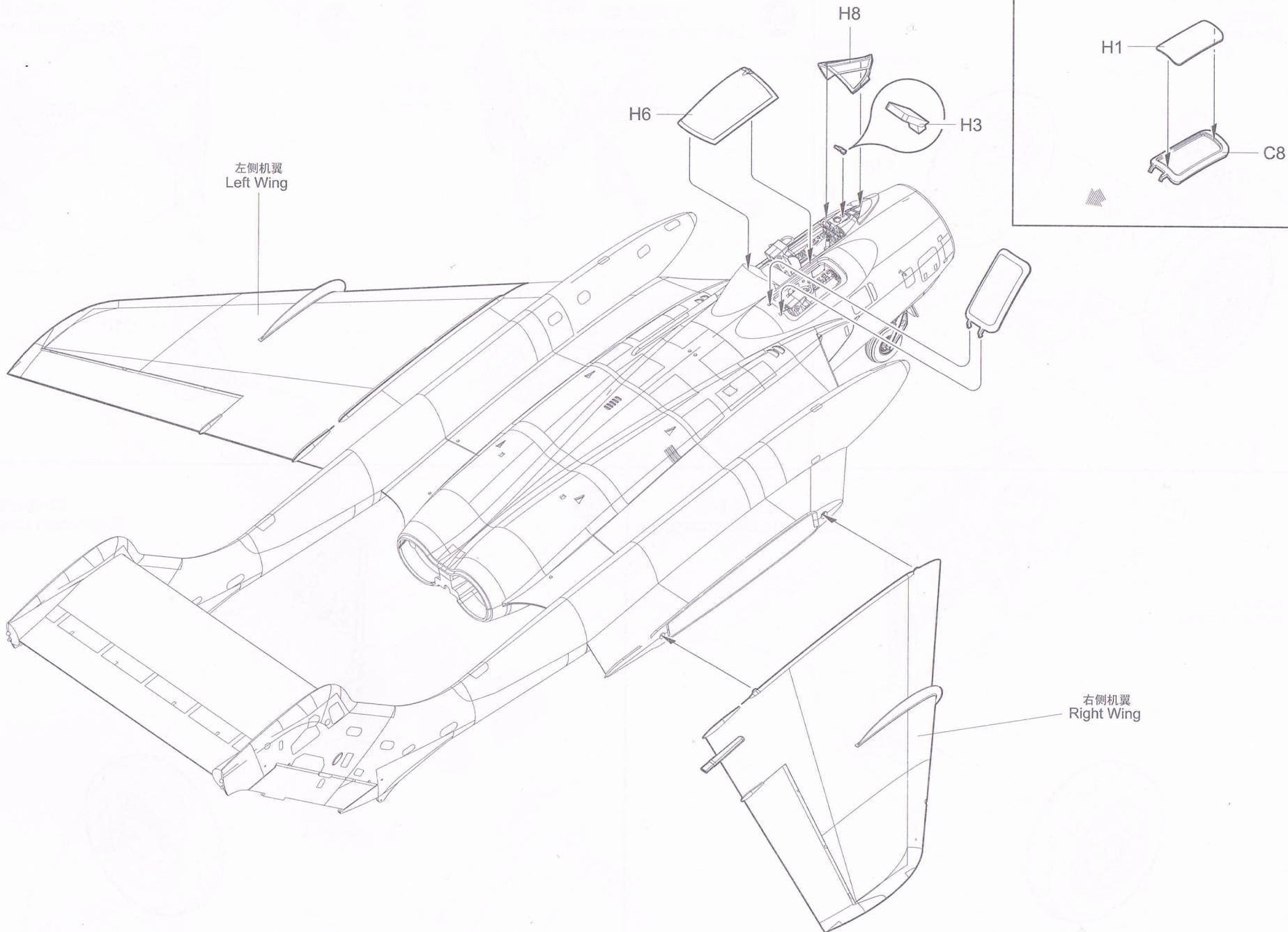


17

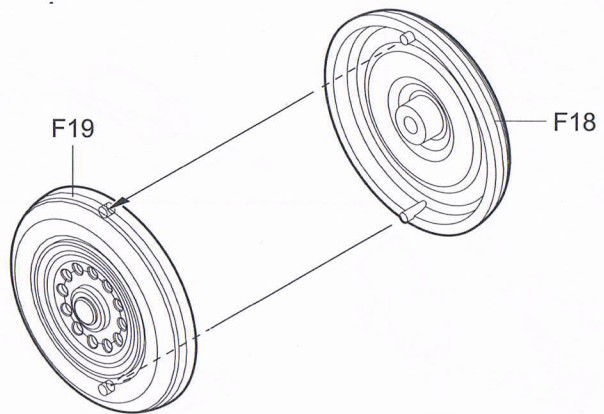
右侧机翼的安装
Right Wing assembly



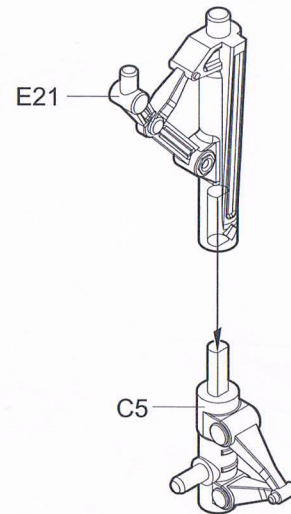
18



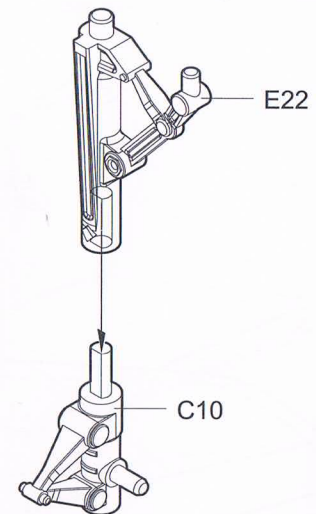
19 制作2组
Make two



20 《左侧起落架》
Left main Undercarriage

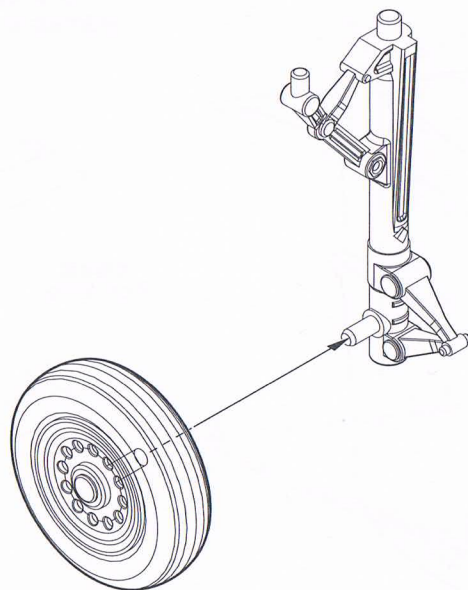


《右侧起落架》
Right main Undercarriage



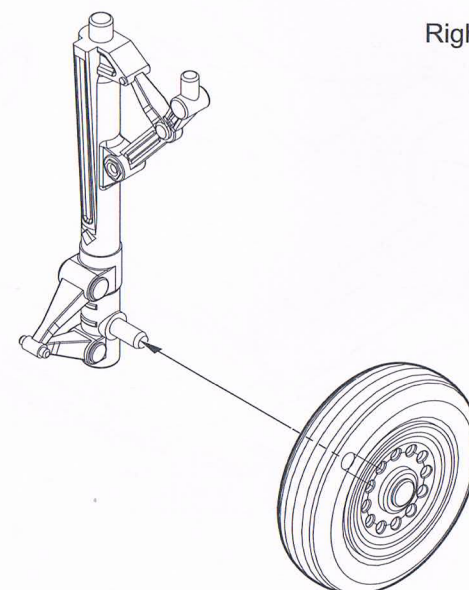
21

《左侧起落架》
Left main Undercarriage



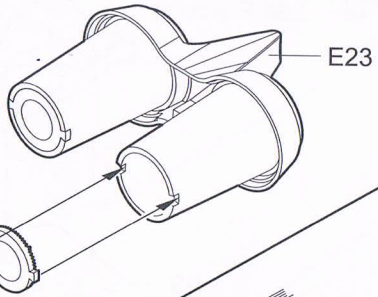
22

《右侧起落架》
Right main Undercarriage



23

对侧相同
Both sides
G12

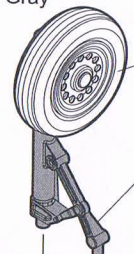


24

先装
Install it first
D5
对侧 D6
Opposite D6



N 57 73
灰白色
Aircraft Gray



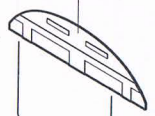
《右侧起落架》
Right main Undercarriage

N 8 8
银色
Silver

N 57 73
灰白色
Aircraft Gray

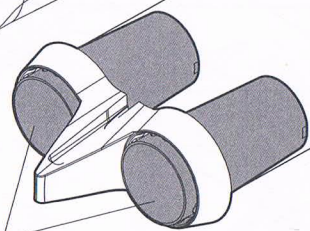
PE-10

B3

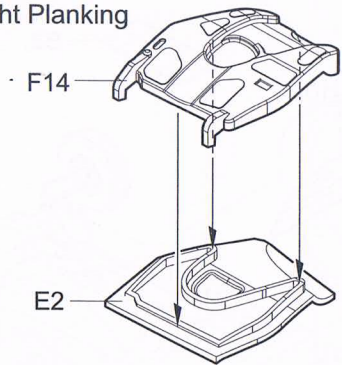


《左侧起落架》
Left main Undercarriage

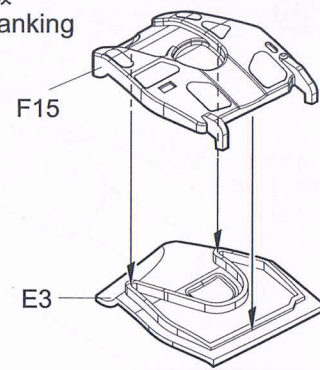
N 76 61
烧铁色
Burnt Iron



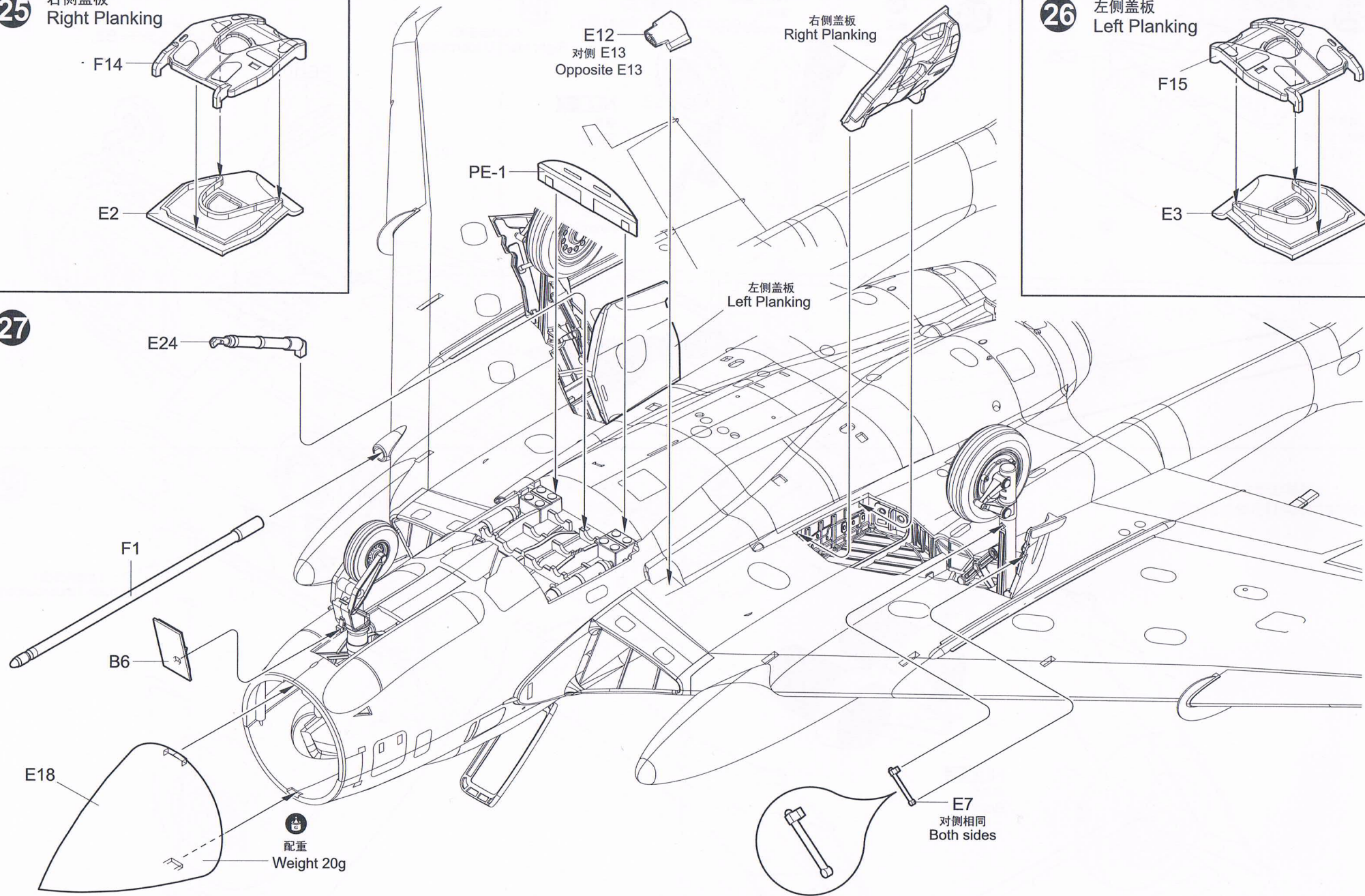
25 右侧盖板
Right Planking



26 左侧盖板
Left Planking



27



E12
对侧 E13
Opposite E13

右侧盖板
Right Planking

左侧盖板
Left Planking

E24

F1

B6

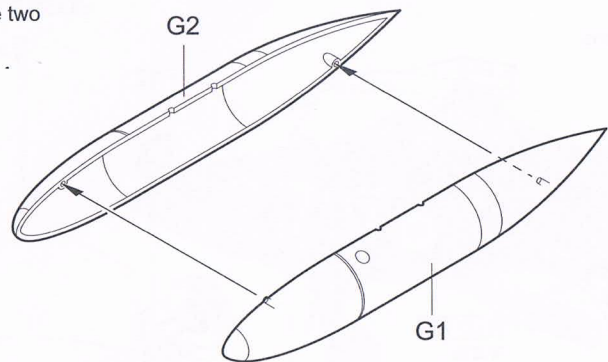
E18

配重
Weight 20g

E7
对侧相同
Both sides

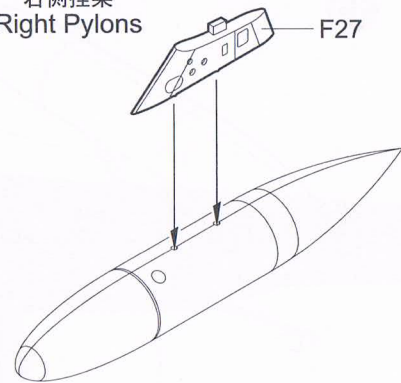
28

制作2组
Make two

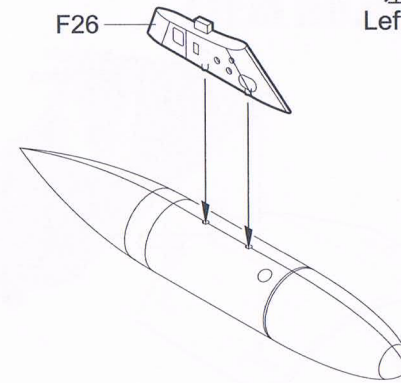


29

右侧挂架
Right Pylons

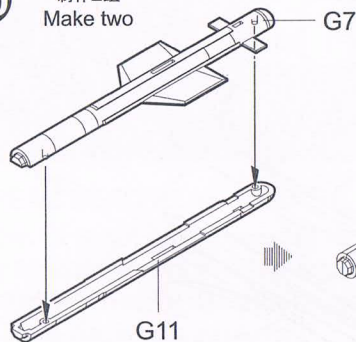


左侧挂架
Left Pylons



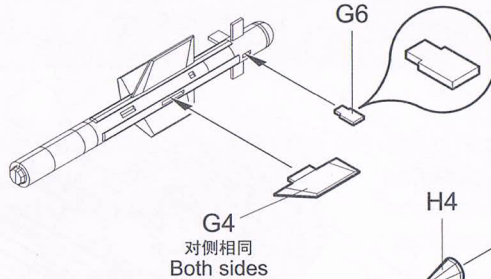
30

制作2组
Make two



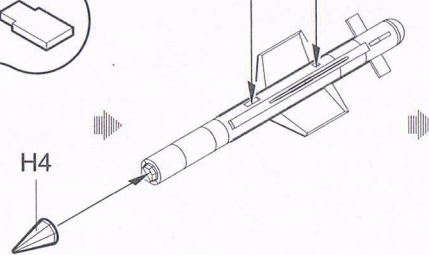
对侧相同
Both sides

G6



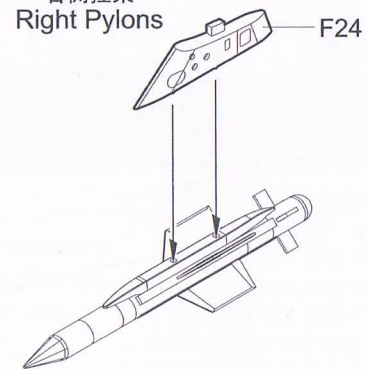
G4
对侧相同
Both sides

G3

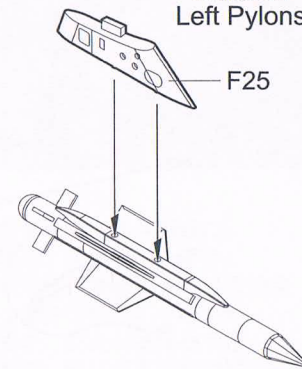


31

右侧挂架
Right Pylons

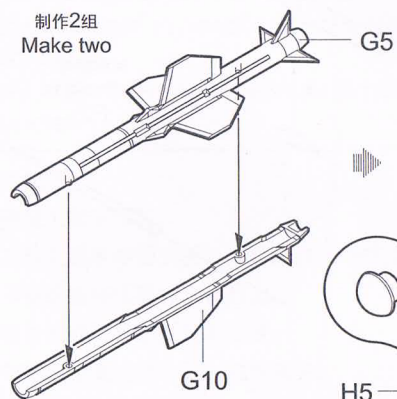


左侧挂架
Left Pylons

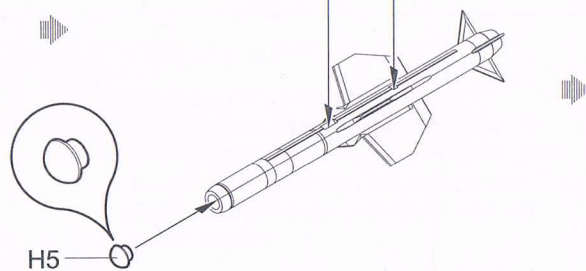


32

制作2组
Make two



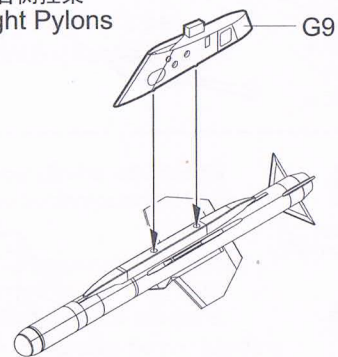
G3



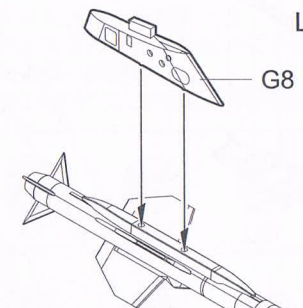
H5

33

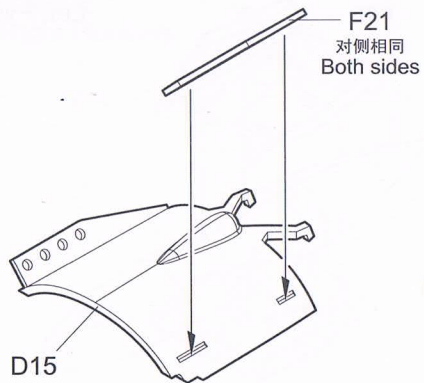
右侧挂架
Right Pylons



左侧挂架
Left Pylons



34



35

