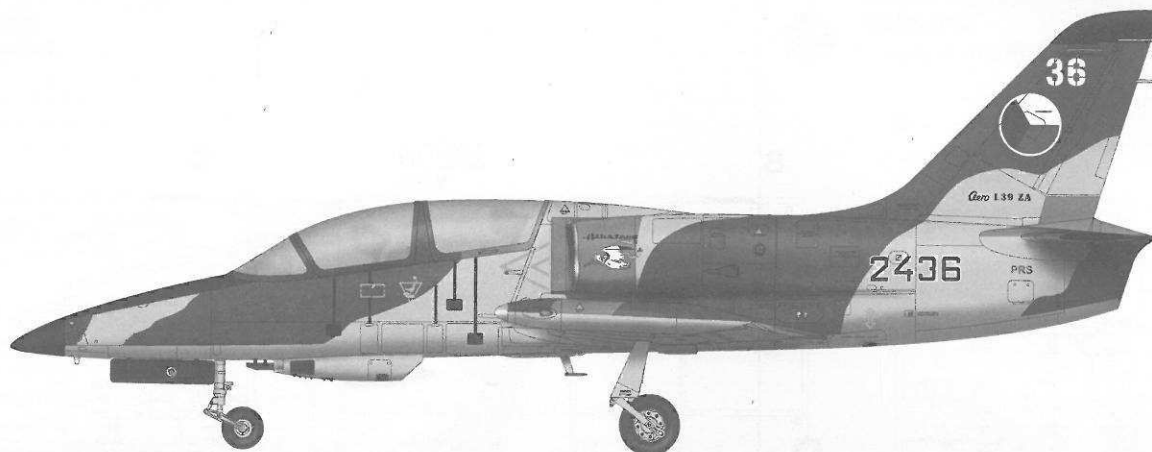


1/48 SCALE

ITEM NO.:05805



L-39ZA Albatro

L-39ZA“信天翁”教练机

READ BEFORE ASSEMBLY:

- This kit is not recommended for inexperienced modelers or for children under 14 years of age
- Study and understand these instructions thoroughly before beginning assembly
- When needed, remove photo-etch parts carefully using a modeling knife or photo etch sprue cutter, being careful not to damage or lose small parts.
- Take extra care in handling photo etch parts in order to avoid injury
- Apply instant cement sparingly to photo etch parts where instructed

- Tools recommended(not included in kit):Plastic and instant cements,sprue cutters,long nose pliers,modeling knife, small files, tweezers, pin vise & scissors. Soft cloth and sandpaper will also assist in construction
- Glue and paint are not included in the kit. Use plastic cement and hobby paints only. Color guide for purchasing paint is included in the kit.
- Keep out of reach of children. They must not be allowed to ingest small parts or handle plastic bags in any way.

装配之前仔细阅读

- 小心用模型锉刀锉平所有零件表面的注射浇口。
- 小心用刀片切下蚀刻片零件，不要遗失小零件。
- 用强力快干胶水粘合蚀刻片零件和金属轴。过量的快干胶水使用可能导致可动零件会粘住，小心涂胶。
- 取蚀刻片时应特别注意安全，防止利边划伤手指。
- 某些零件表面需贴水贴纸，请选择在装配的同时进行。
- 推荐模型工具(自备)：胶水，水口剪刀，长咀钳，刀片，锉刀，镊子钳，钻，剪刀，瞬间快干胶。
- 软布同砂纸同时也应该是必备工具。
- 请使用塑料胶水和油漆，模型内不含。
- 谨防小孩吮吮塑料零件，或者将塑料袋套在头上，制作时应将套材远离小孩接触。
- 本产品不适合14岁以下没有经验的模型爱好者。

水贴纸的使用:

1. 从水贴纸上剪下印花;
2. 将印花放入温水中浸10秒, 然后放在干净布上。
3. 拿着印花纸板将印花移到模型上;
4. 手指蘸水将印花移到适当的位置;
5. 用软布轻压印花直至水干, 汽泡消失。

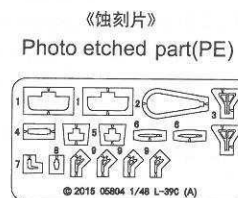
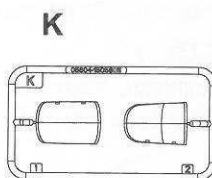
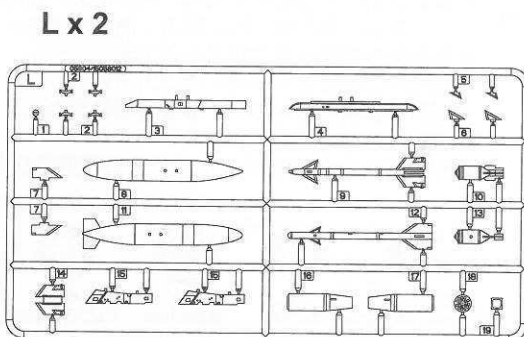
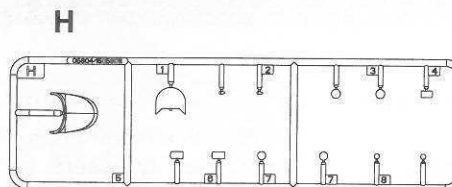
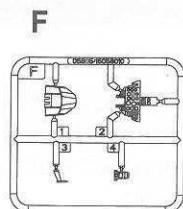
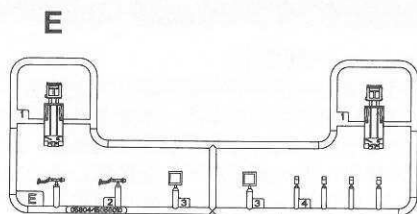
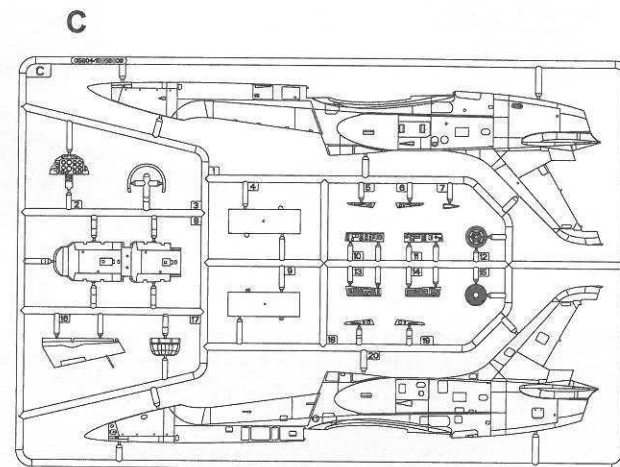
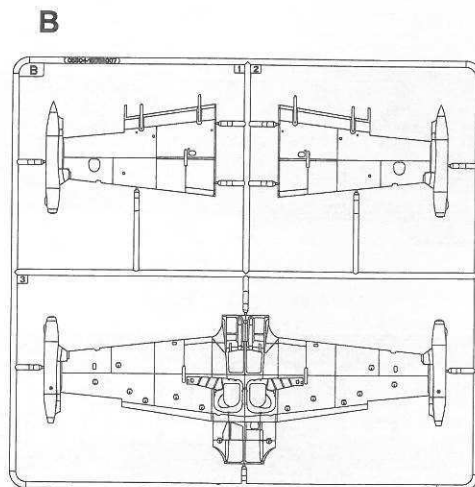
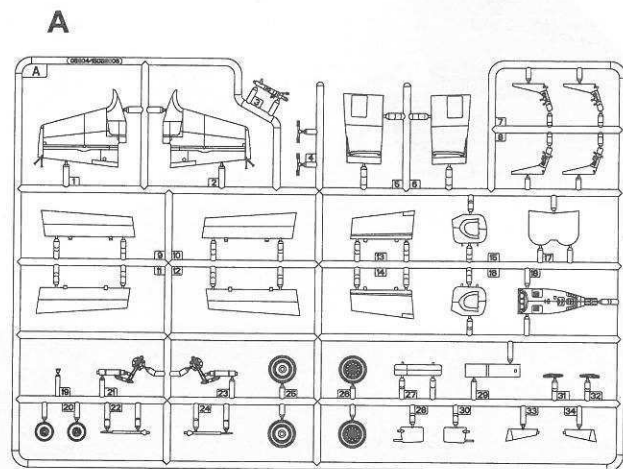
DECAL APPLICATION:

1. Cut decals from sheet as needed
2. Dip the decal in warm water for about 10 seconds and then place on soft clean cloth.
3. Hold the decal backing sheet edge and gently slide the decal onto the model in its proper position.

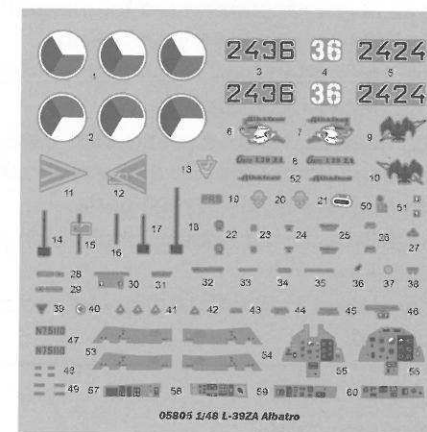
4. While still wet, decal can be adjusted for better fit on model by dampening it gently with your finger.
5. When placed in the proper position, gently press decal down with a soft cloth until excess water and air bubbles are gone.
6. Allow decal to dry completely before handling model



部品图
Parts



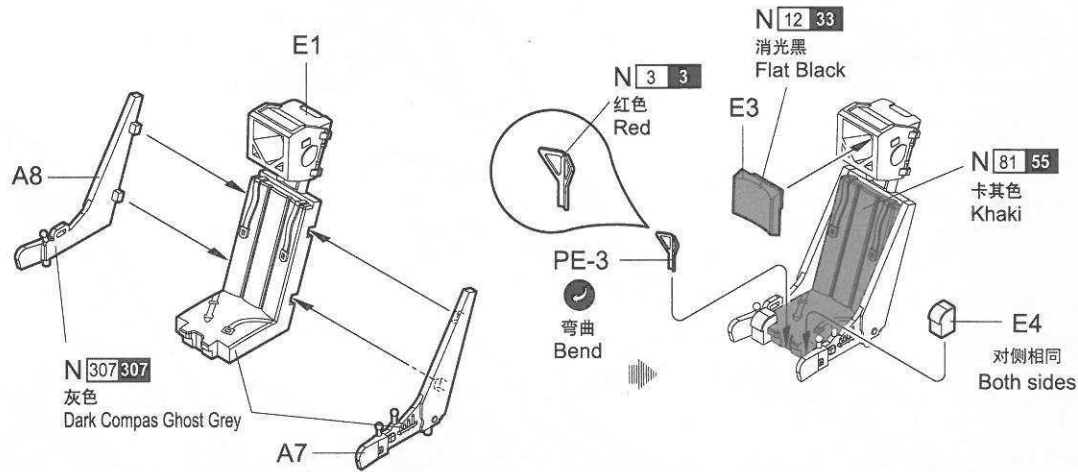
《水贴》
Decal



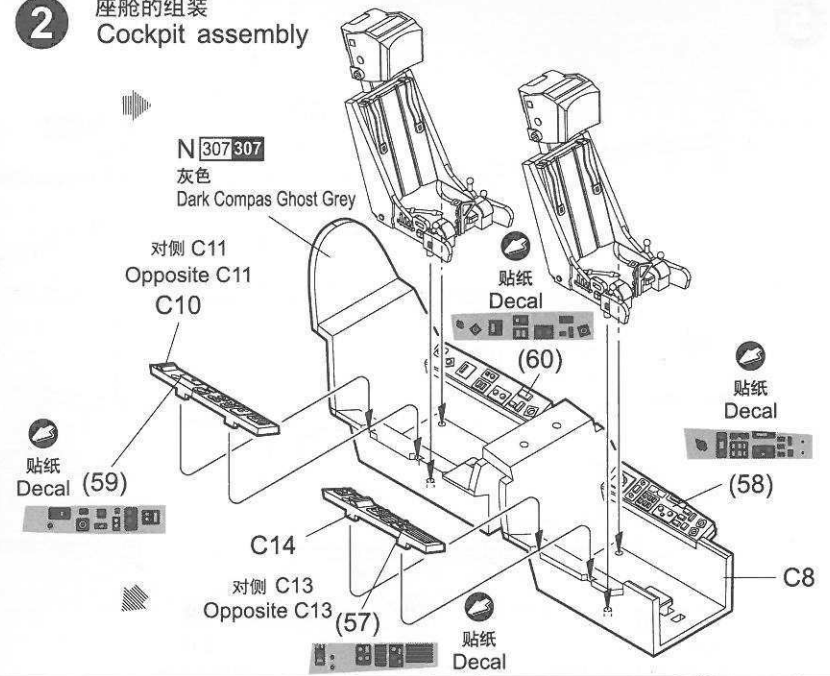
不用的零件: A19;A32;H1;H6;H7;H8;L1;L4;L6;L9;L14
Unused parts PE4;PE6;PE7;PE9;

1 座椅的组装
Pilot seat assembly

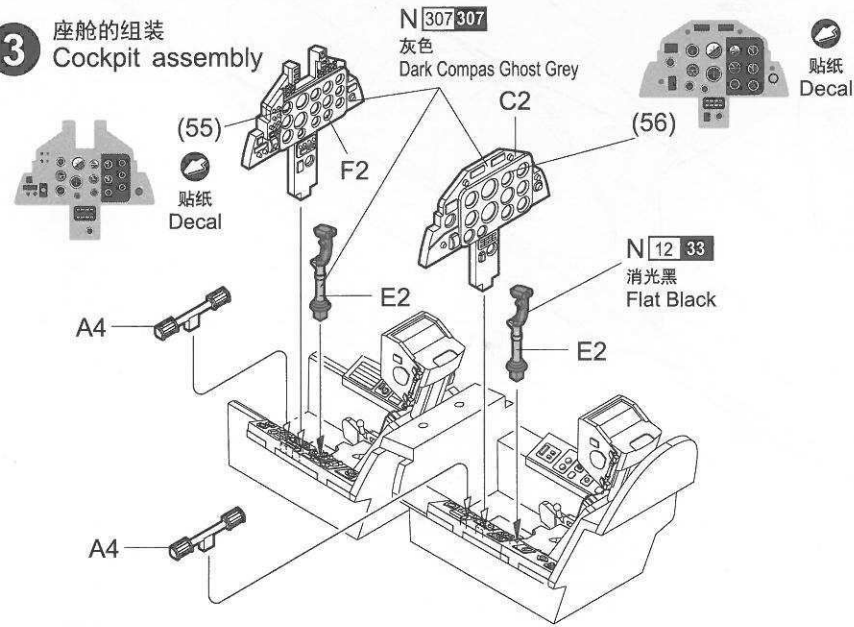
制作2组
Make two



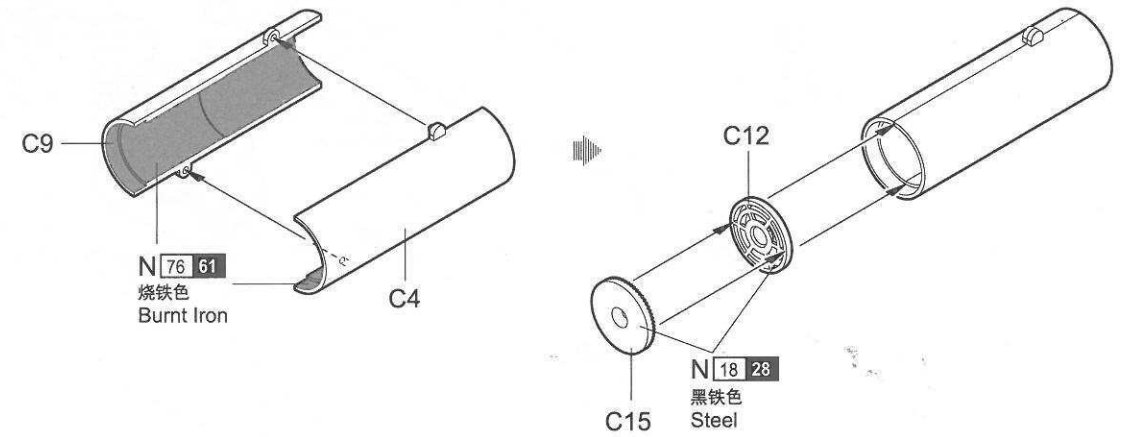
2 座舱的组装
Cockpit assembly



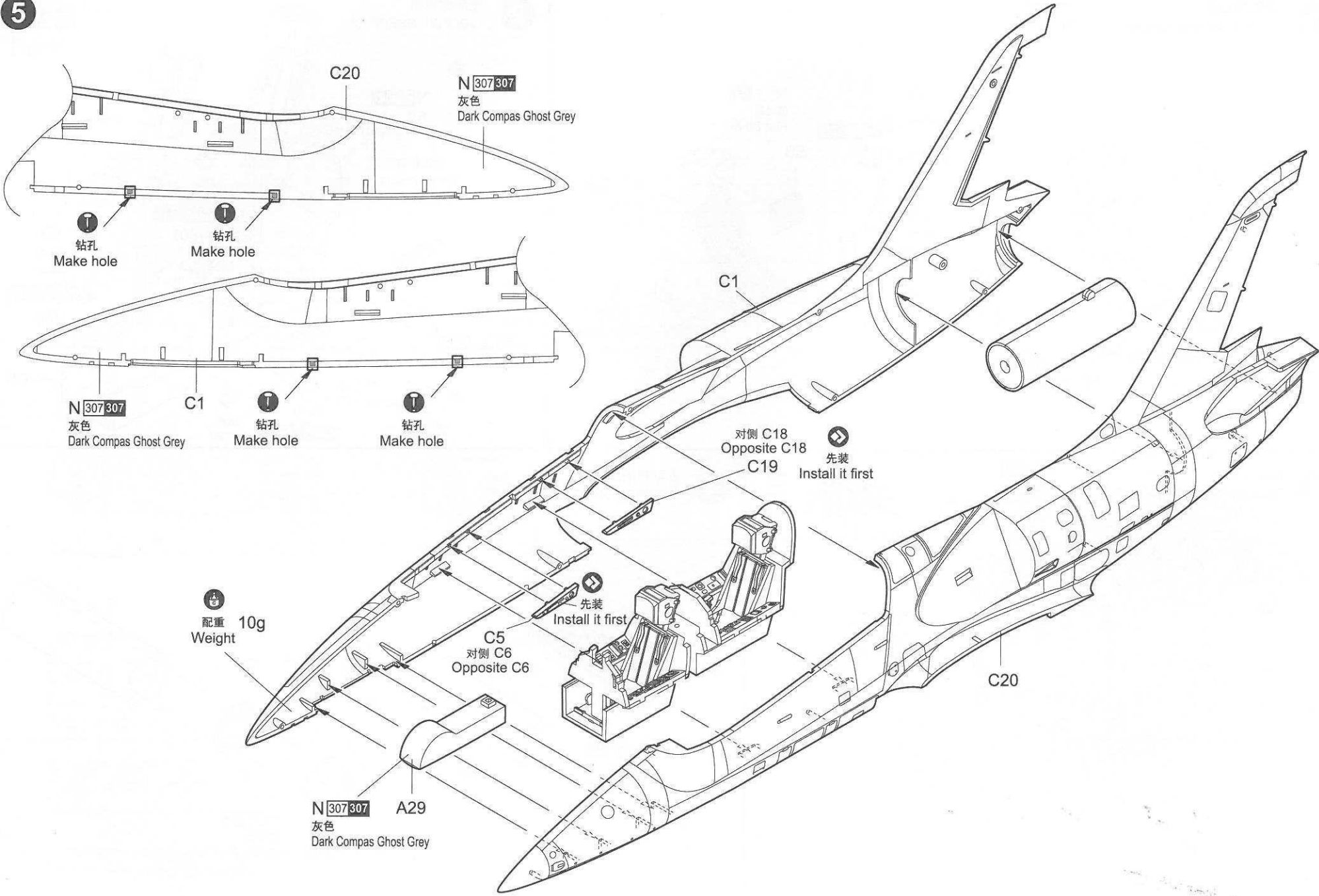
3 座舱的组装
Cockpit assembly



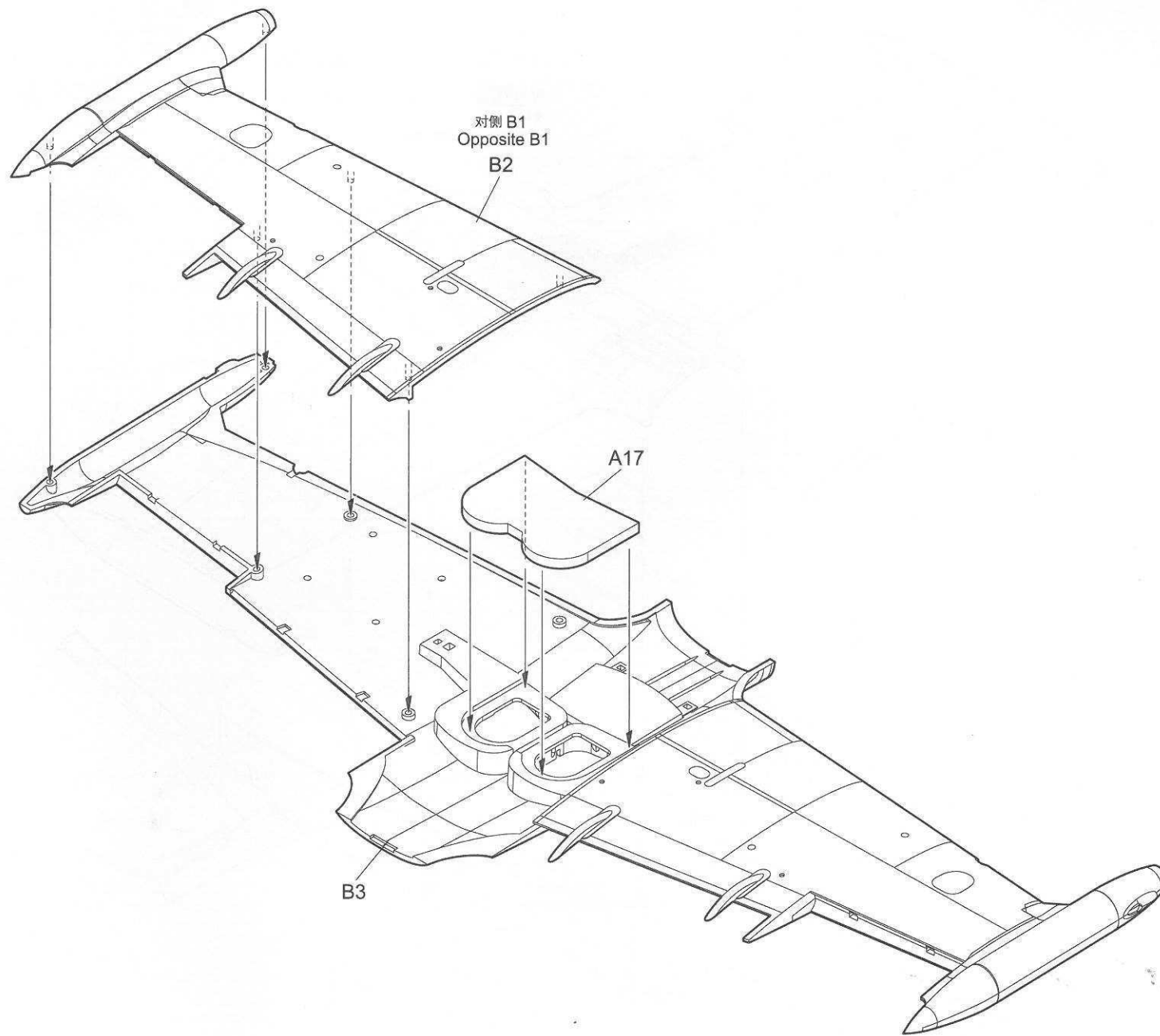
4 发动机的组装
Engine assembly



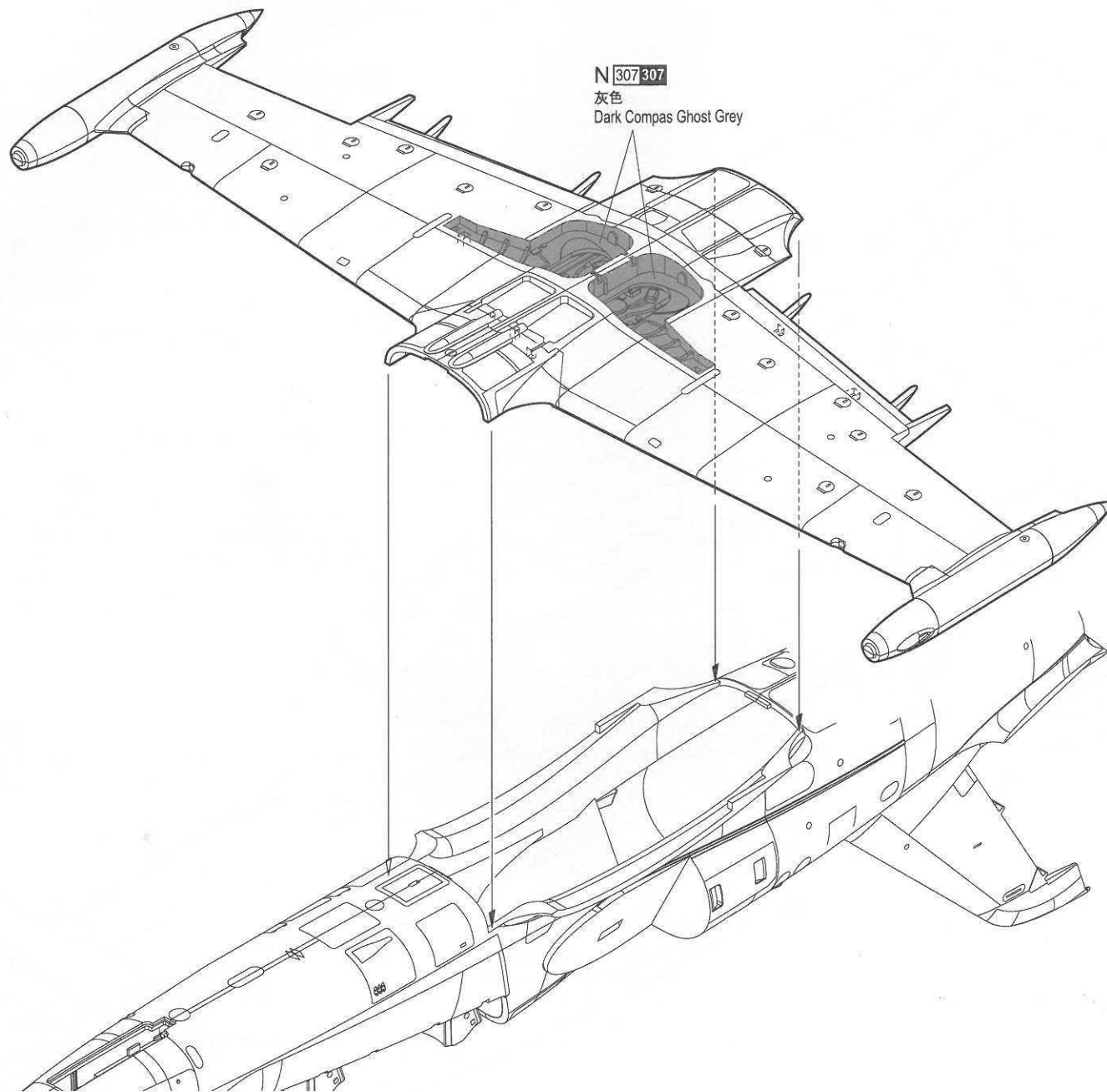
5



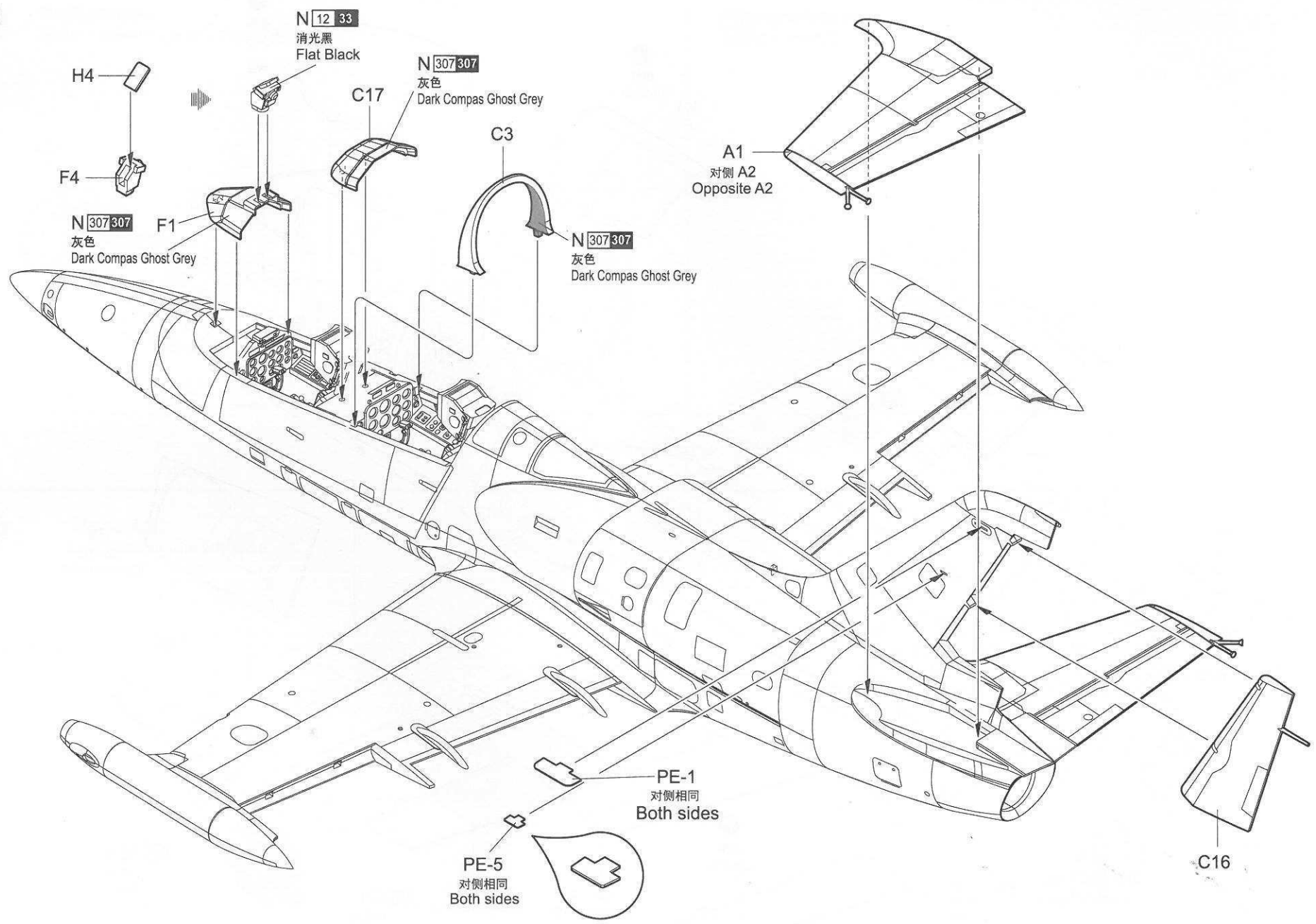
6



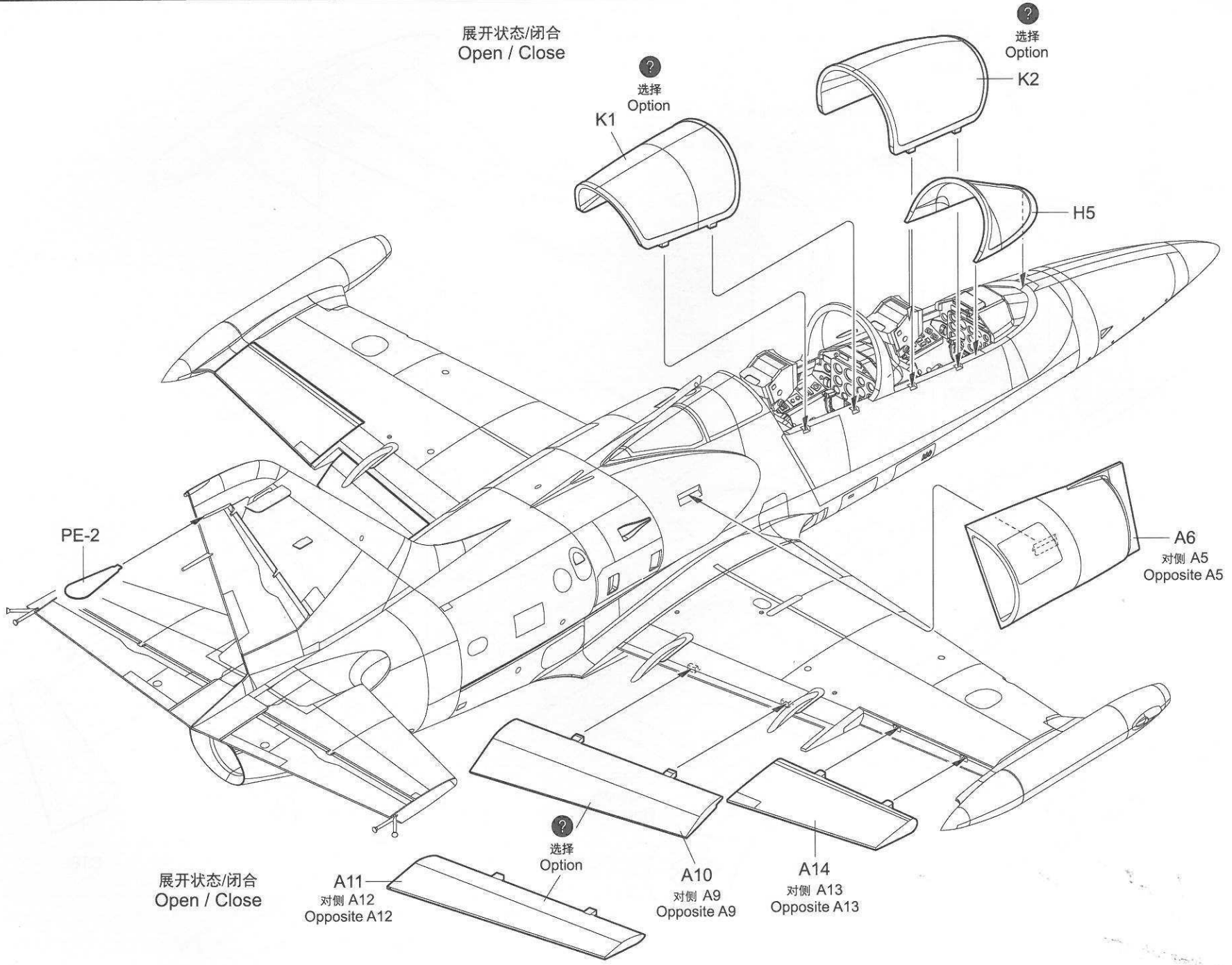
7



8



展开状态/闭合
Open / Close



展开状态/闭合
Open / Close

A11
对侧 A12
Opposite A12

选择
Option

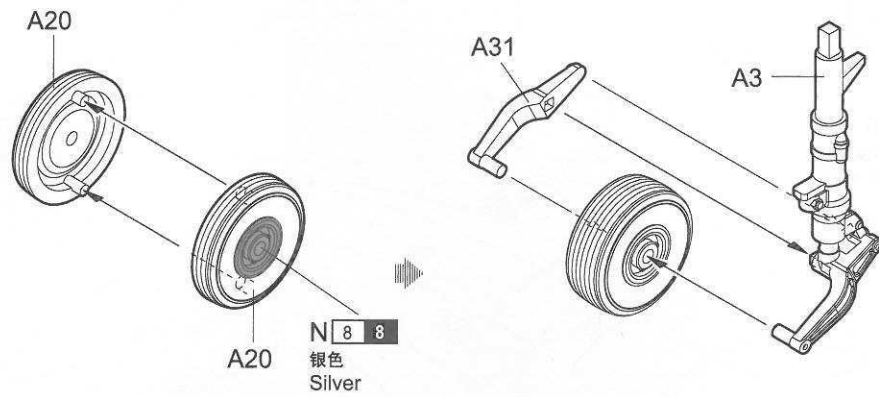
A10
对侧 A9
Opposite A9

A14
对侧 A13
Opposite A13

A6
对侧 A5
Opposite A5

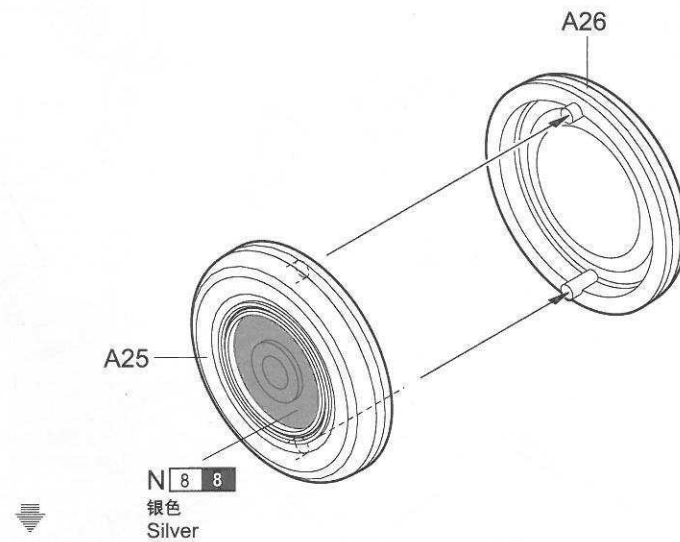
10

前起落架的组装
Nose undercarriage assembly



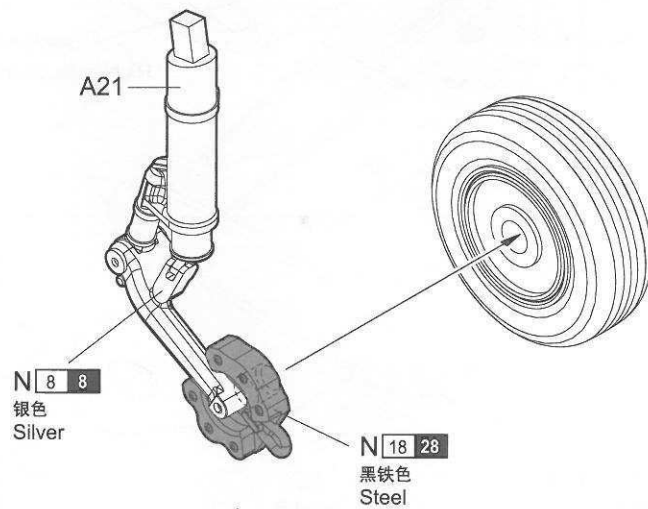
11

制作2组
Make two

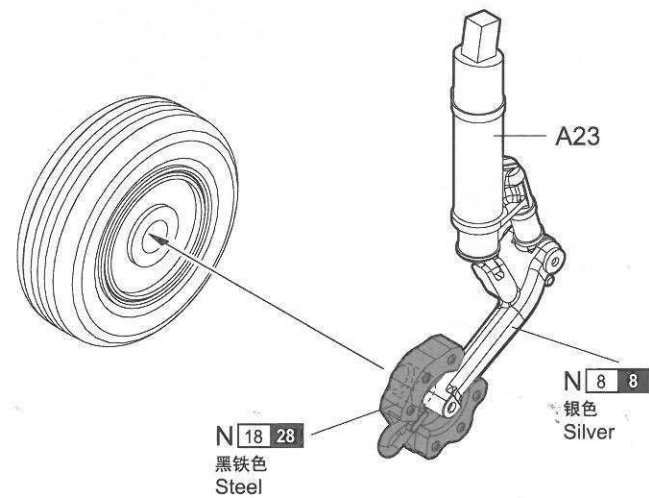


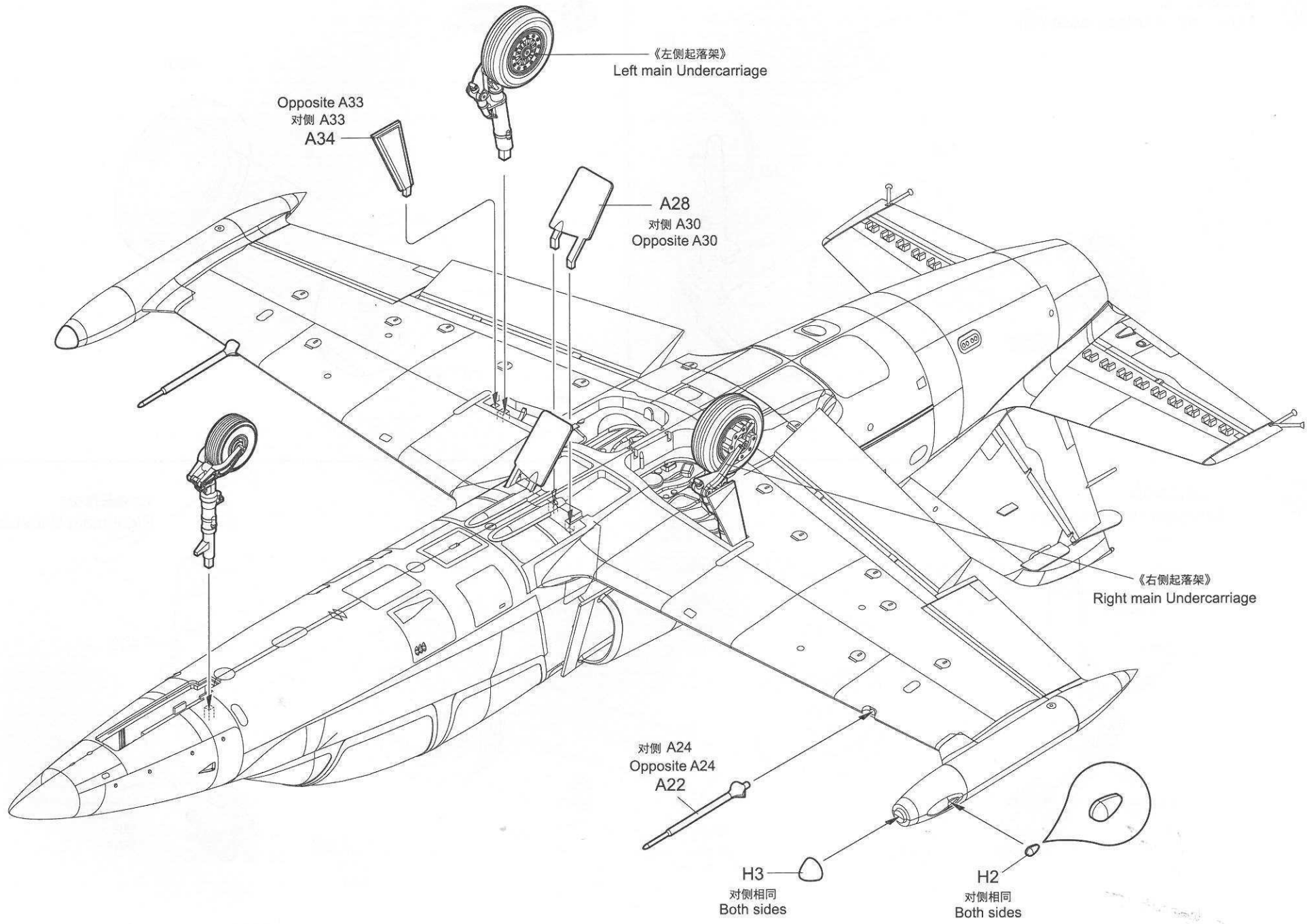
12

《左侧起落架》
Left main Undercarriage



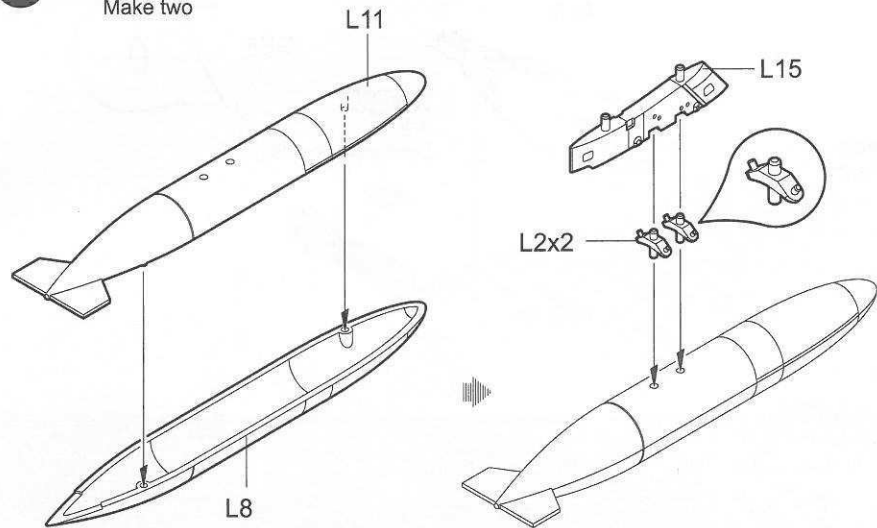
《右侧起落架》
Right main Undercarriage





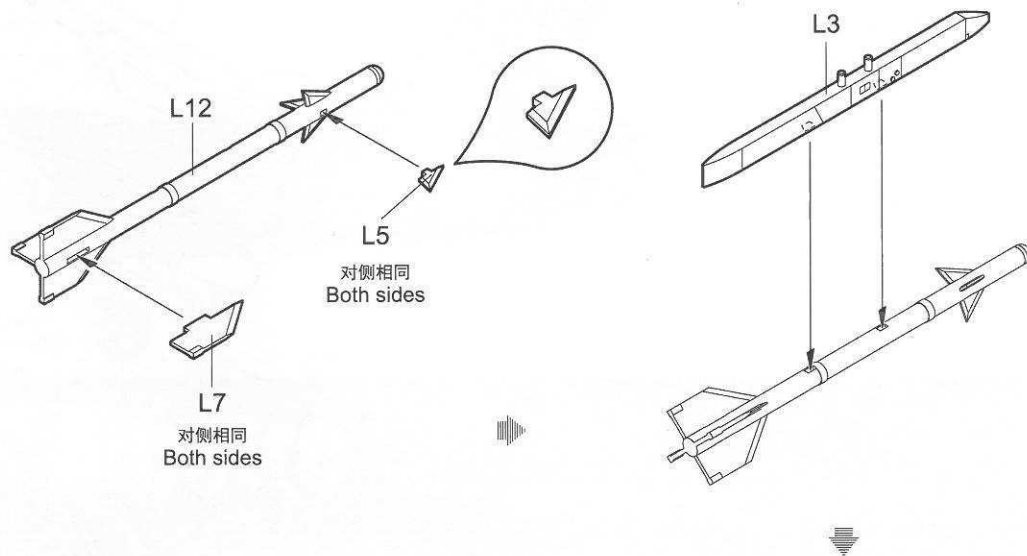
14

制作2组
Make two



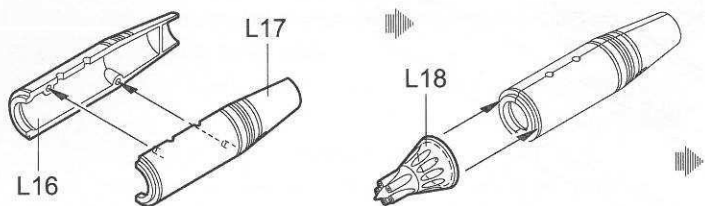
15

制作2组
Make two



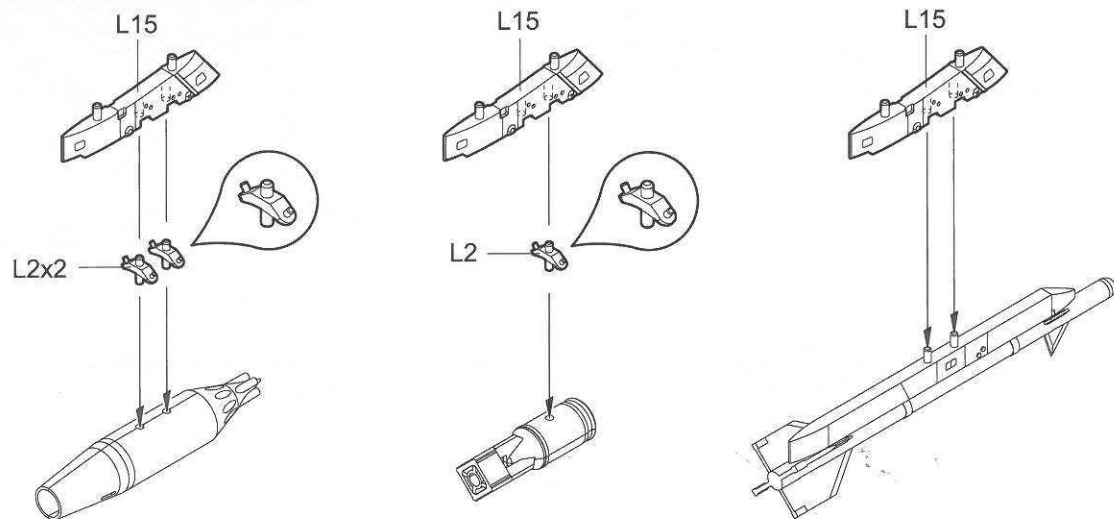
16

制作2组
Make two



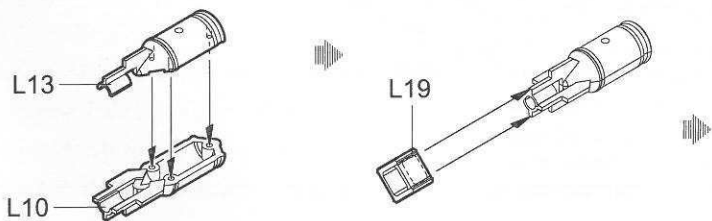
18

制作2组
Make two

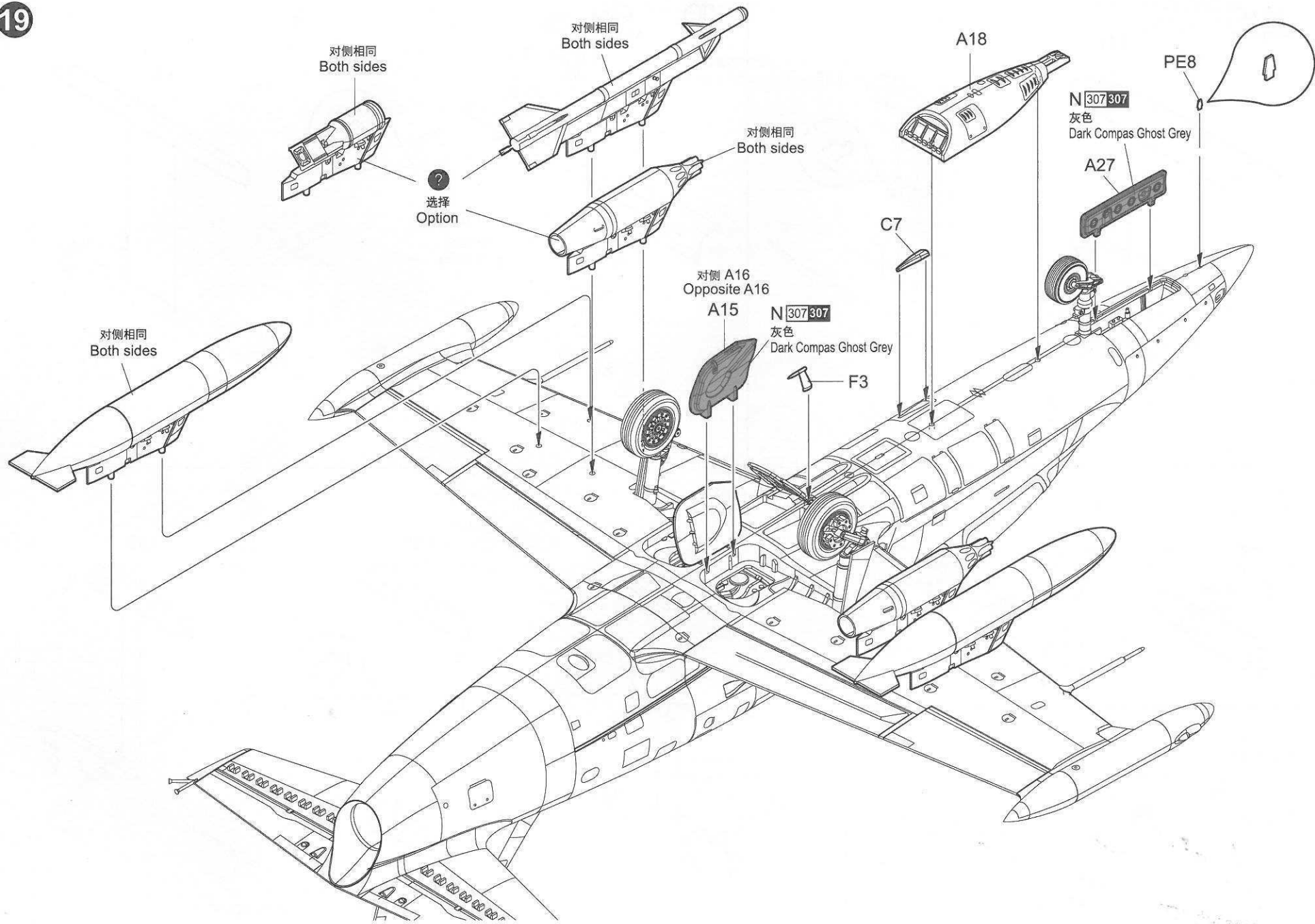


17

制作2组
Make two



19

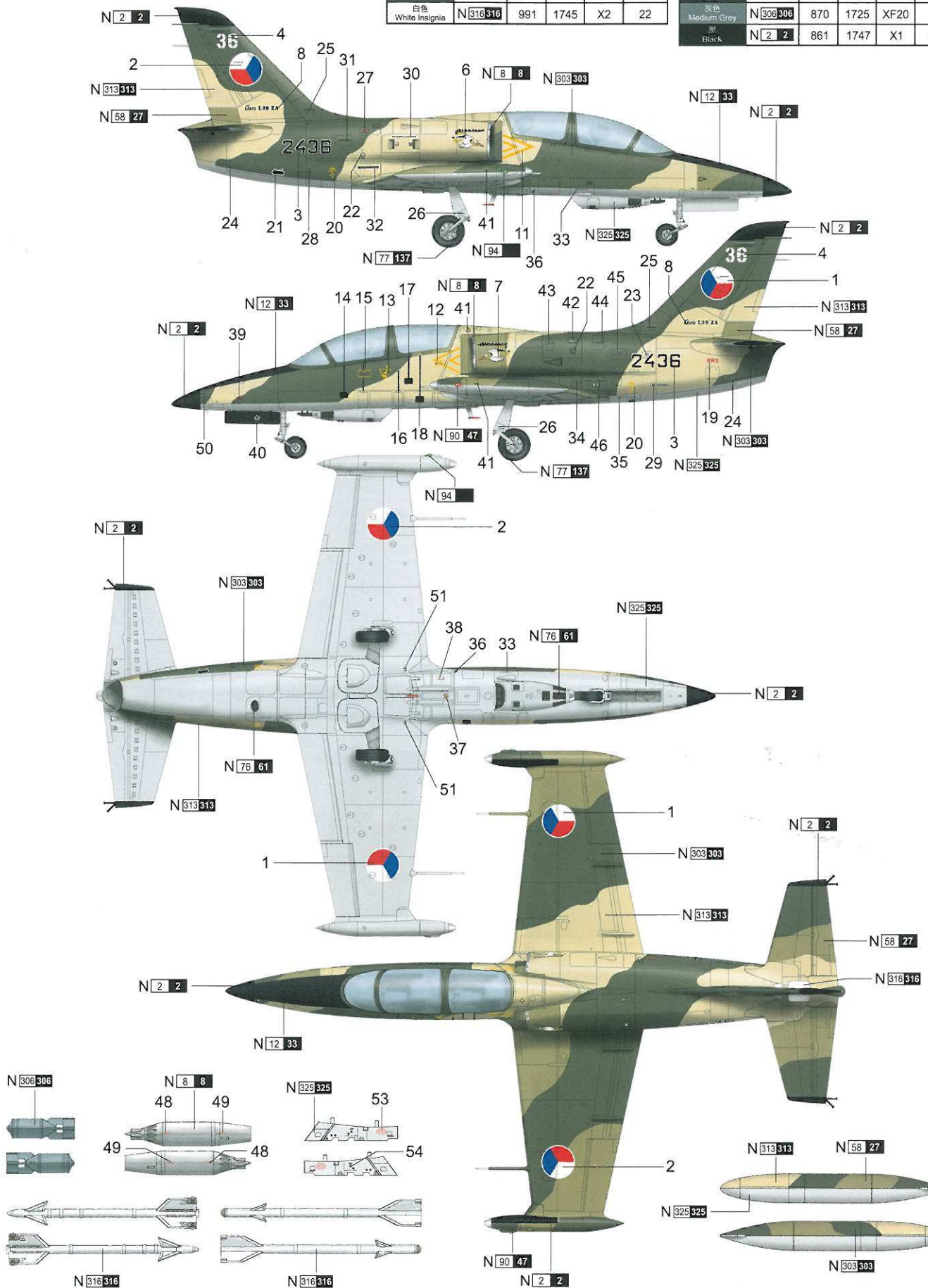


涂装同标贴指示 Painting & Marking guide

A Czechoslovakia Air Force, L-39ZA, 2436

PAINT REFERENCE COLOUR					
Color	Mr.Hobby	Vallejo	Model Master	Tamiya	Humbrol
灰色 Light Grey	N 325 325	—	1730	XF55	129
黄色 Yellow	N 313 313	819	1706	—	121
绿色 Light Green	N 303 303	—	1713	XF20	117
机体内部色 Interior Green	N 58 27	—	—	—	—
胎黑色 Tire Black	N 77 137	—	—	—	—
白色 White Insignia	N 318 316	991	1745	X2	22

PAINT REFERENCE COLOUR					
Color	Mr.Hobby	Vallejo	Model Master	Tamiya	Humbrol
烧铁色 Burnt Iron	N 76 61	863	1795	X10	53
银 Silver	N 8 8	997	1546	X11	11
透明红 Clear Red	N 90 47	934	—	X27	—
透明绿 Clear Green	N 94	—	—	—	—
消光漆 Flat Black	N 12 33	950	1749	XF1	33
灰色 Medium Grey	N 306 306	870	1725	XF20	—
黑 Black	N 2 2	861	1747	X1	21



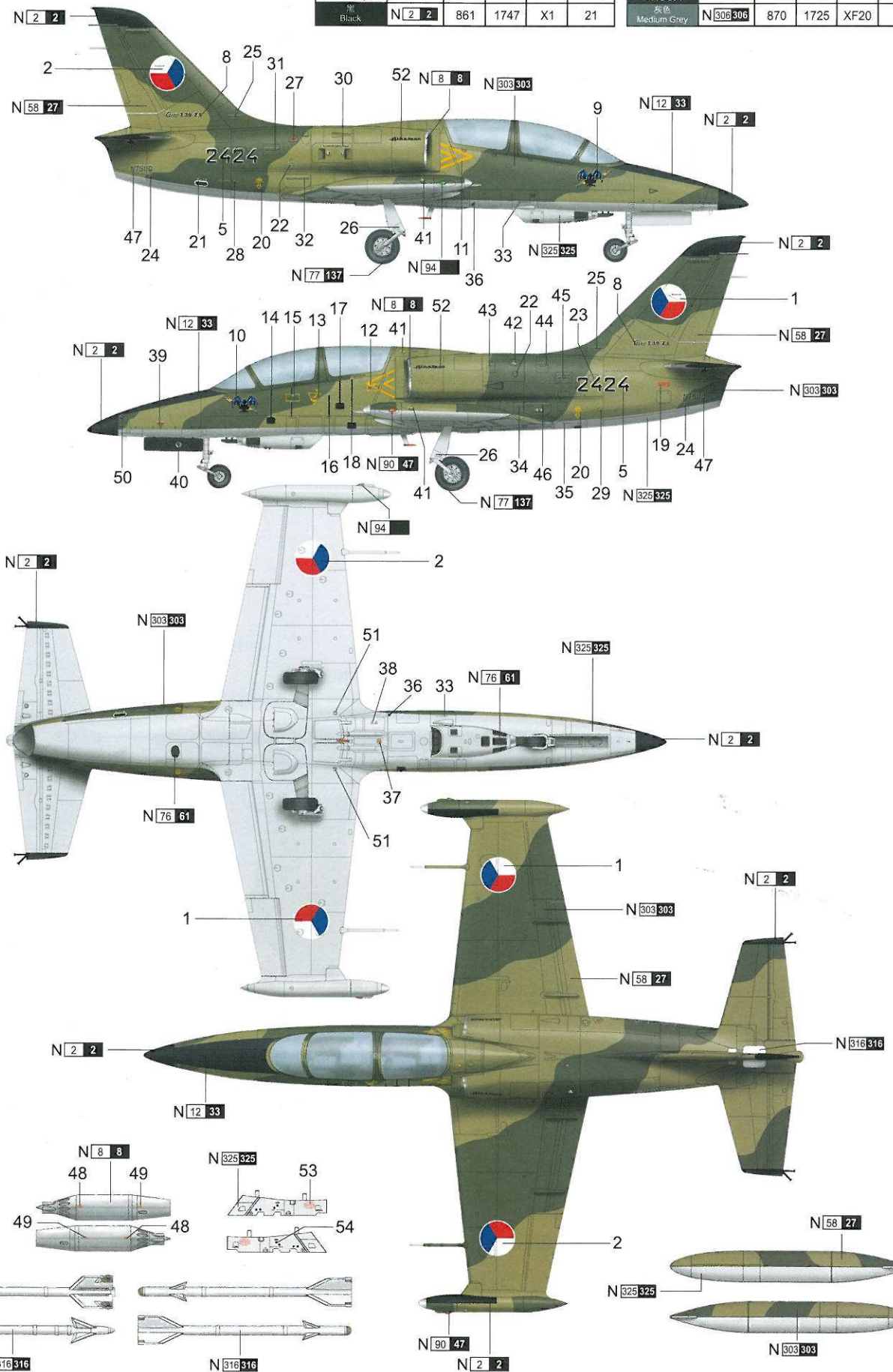
H AQUEOUS HOBBY COLOR X Mr. COLOR

涂装同标贴指示 Painting & Marking guide

B

PAINT REFERENCE COLOUR					
Color	Mr.Hobby	Vallejo	Model Master	Tamiya	Humbrol
灰色 Light Grey	N 325 325	-	1730	XF55	129
绿色 Light Green	N 303 303	-	1713	XF20	117
机舱内部色 Interior Green	N 58 27	-	-	-	-
胎黑色 Tire Black	N 77 137	-	-	-	-
白色 White Insignia	N 316 316	991	1745	X2	22
黑 Black	N 2 2	861	1747	X1	21

PAINT REFERENCE COLOUR					
Color	Mr.Hobby	Vallejo	Model Master	Tamiya	Humbrol
烧蚀色 Burnt Iron	N 76 61	863	1795	X10	53
银 Silver	N 8 8	997	1546	X11	11
透明红 Clear Red	N 90 47	934	-	X27	-
透明绿 Clear Green	N 94	-	-	-	-
消光黑 Flat Black	N 12 33	950	1749	XF1	33
灰色 Medium Grey	N 306 306	870	1725	XF20	-



H X AQUEOUS HOBBY COLOR X Mr. COLOR