

US M1A2 SEP MBT

美国M1A2 SEP主战坦克

READ BEFORE ASSEMBLY:

- Study and understand these instructions thoroughly before beginning assembly
- When needed, remove photo-etch parts carefully using a modeling knife or photo etch sprue cutter, being careful not to damage or lose small parts.
- Take extra care in handling photo etch parts in order to avoid injury
- Apply instant cement sparingly to photo etch parts where instructed
- Tools recommended(not included in kit):Plastic and instant cements, sprue cutters,long nose pliers,modeling knife, small files, tweezers, pin vise & scissors. Soft cloth and sandpaper will also assist in construction
- Glue and paint are not included in the kit. Use plastic cement and hobby paints only. Color guide for purchasing paint is included in the kit.

装配之前仔细阅读

- 小心用模型锉刀锉平所有零件表面的注射浇口。
- 小心用刀片切下蚀刻片零件，不要遗失小零件。
- 用强力快干胶水粘合蚀刻片零件和金属轴。过量快干胶水使用可能导致可动零件会粘住，小心涂胶。
- 取蚀刻片时应特别注意安全，防止利边划伤手指。
- 某些零件表面需贴上水贴纸，请选择在装配的同时进行。
- 推荐模型工具(自备)：胶水，水口剪刀，长咀钳，刀片，锉刀，镊子，钳，钻，剪刀，瞬间快干胶。
- 软布同砂纸同时也应该是必备工具。
- 请使用塑料胶水和油漆，模型内不含。



配重
Weight



使用强力胶
Cyanoacrylate glue



钻孔
Make hole



切除
Cut / Remove



贴纸
Decal



锉平
File / Sand



选择
Option



不涂胶水
No cement



弯曲
Bend



先装
Install it first

水贴纸的使用:

- 1.从水贴纸上剪下印花;
- 2.将印花放入温水中浸10秒, 然后放在干净布上。
- 3.拿着印花纸板将印花移到模型上;
- 4.手指蘸水将印花移到适当的位置;
- 5.用软布轻压印花直至水干, 气泡消失

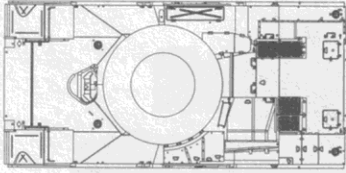
DECAL APPLICATION

- 1.Cut decals from sheet as needed
- 2.Dip the decal in warm water for about 10 seconds and then place on soft clean cloth.
- 3.Hold the decal backing sheet edge and gently slide the decal onto the model in its proper position.

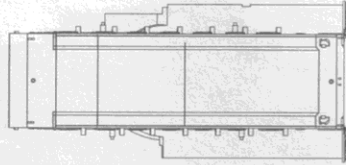
- 4.While still wet,decal can be adjusted for better fit on model by dampening it gently with your finger.
- 5.When placed in the proper position,gently press decal down with a soft cloth until excess water and air bubbles are gone.
- 6.Allow decal to dry completely before handling model

部品图Parts

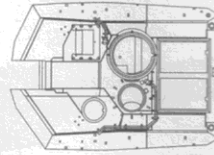
《车面》
Upper hull



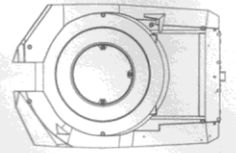
《车底》
Lower hull



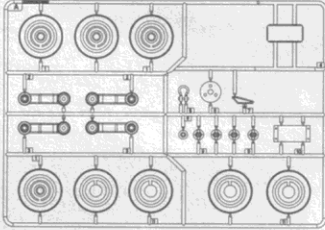
《炮塔面》
Upper turret



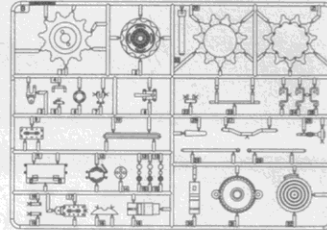
《炮塔底》
Lower turret



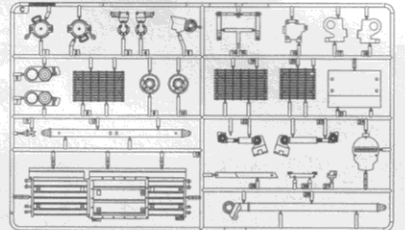
Ax4



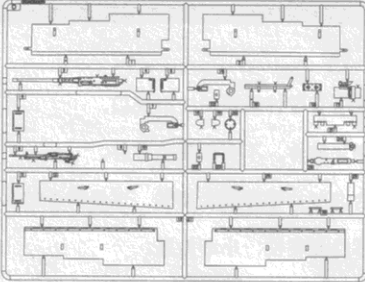
Bx2



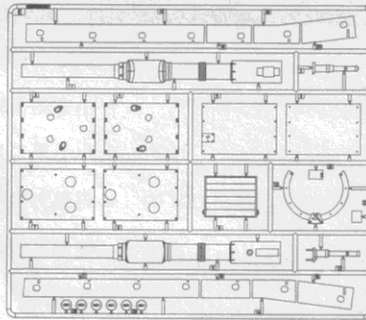
C



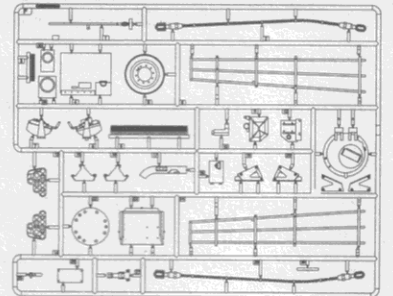
D



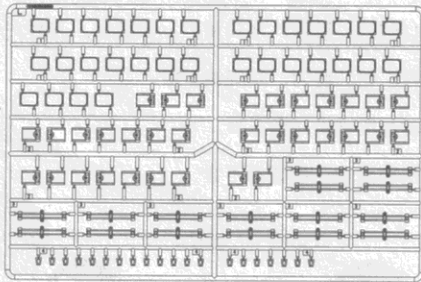
E



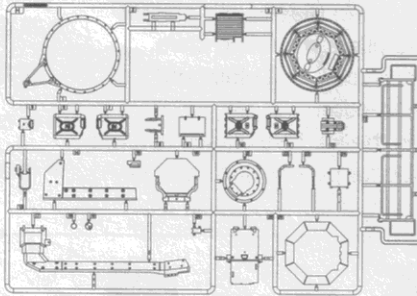
F



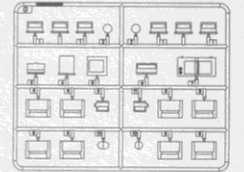
Lx10



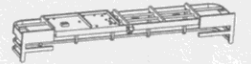
H



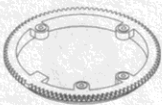
G



K1



S1



K2



《轮胎》
Tyre x33



《胶圈》
Rubber ring



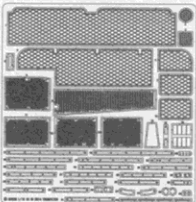
《螺丝 I》x4
Screw I
PWB 2x5x5



《螺丝 II》x16
Screw II
PWA 3x8x8



《蚀刻片》
PE



《螺丝 III》x3
Screw III
PWA 2.6x8x7



《螺丝 IV》x2
Screw IV
PB 2.6x12

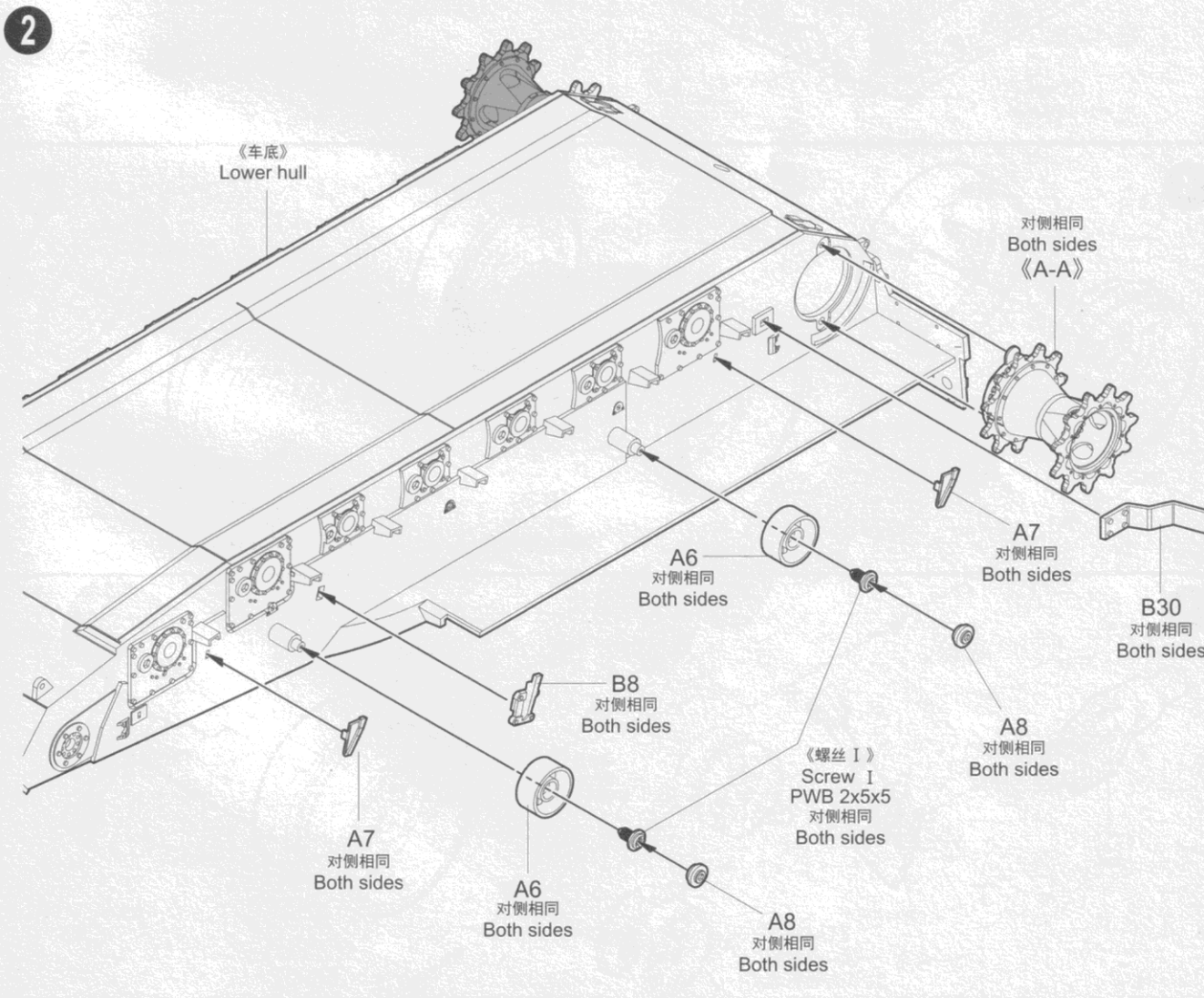
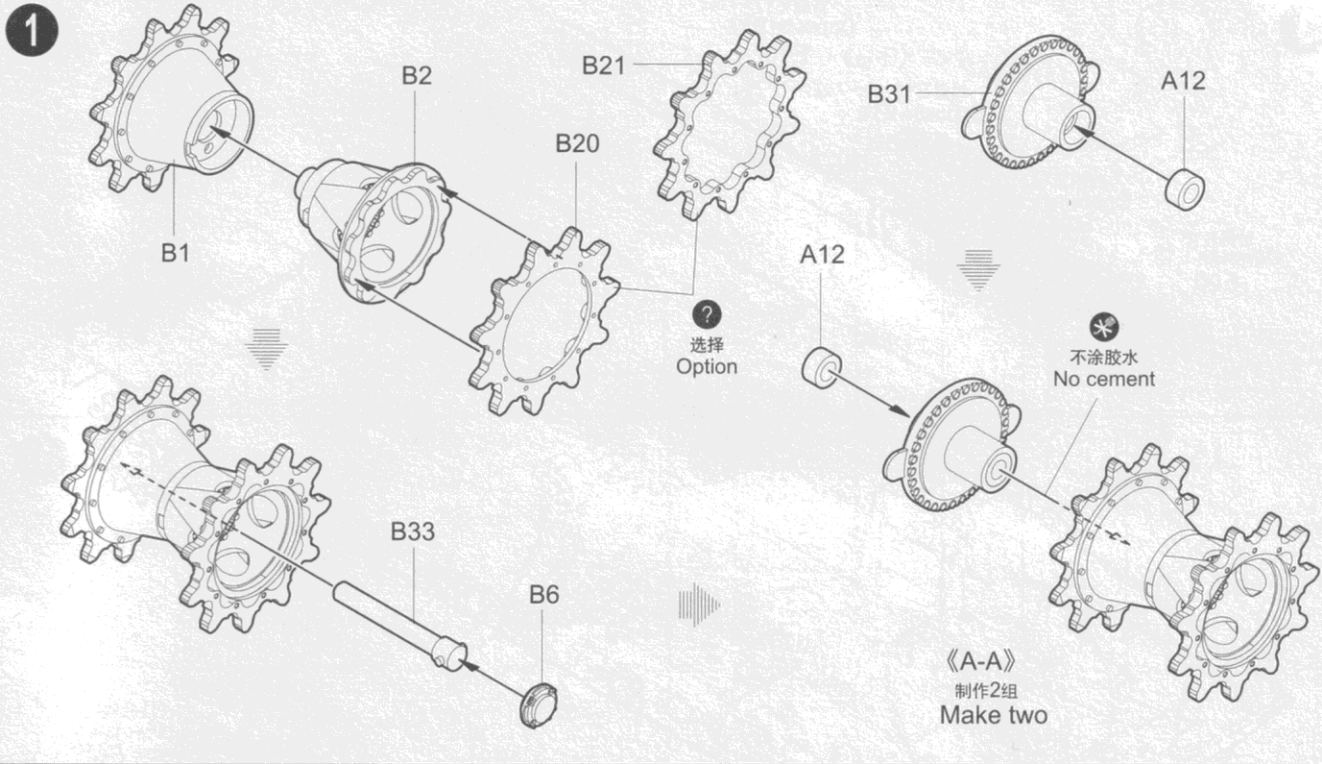


《螺丝 V》x6
Screw V
PB 3x10

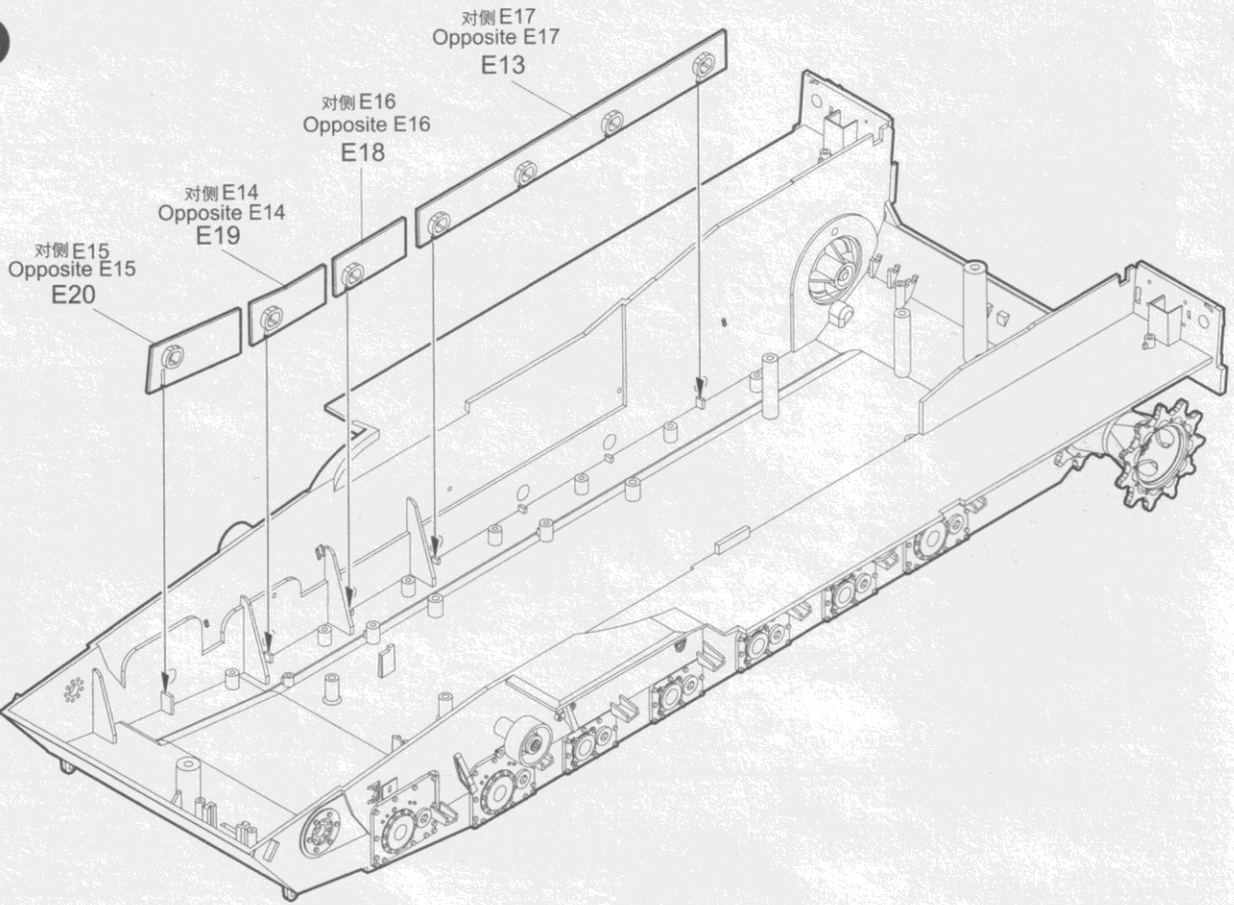


《水贴》
Decal

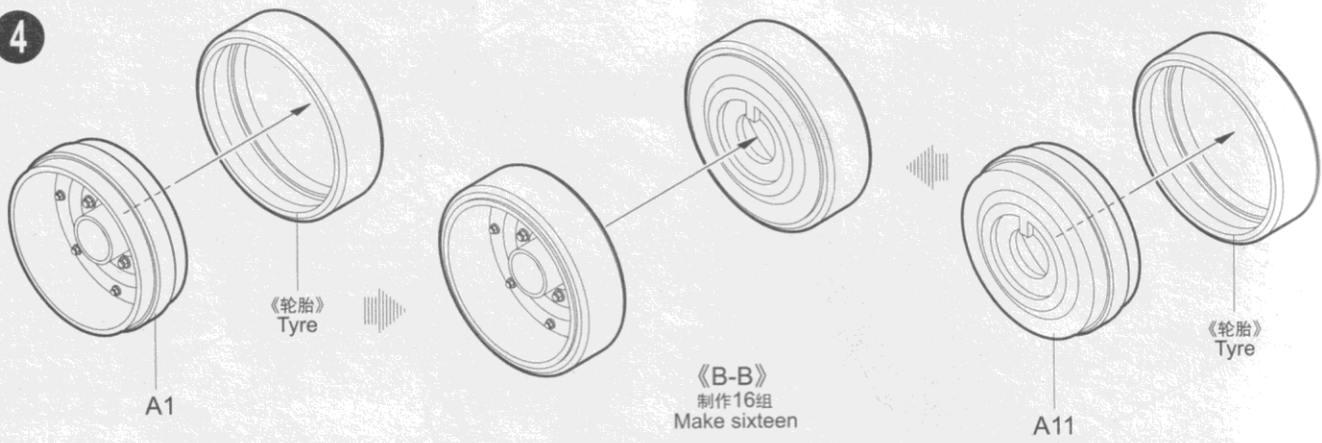




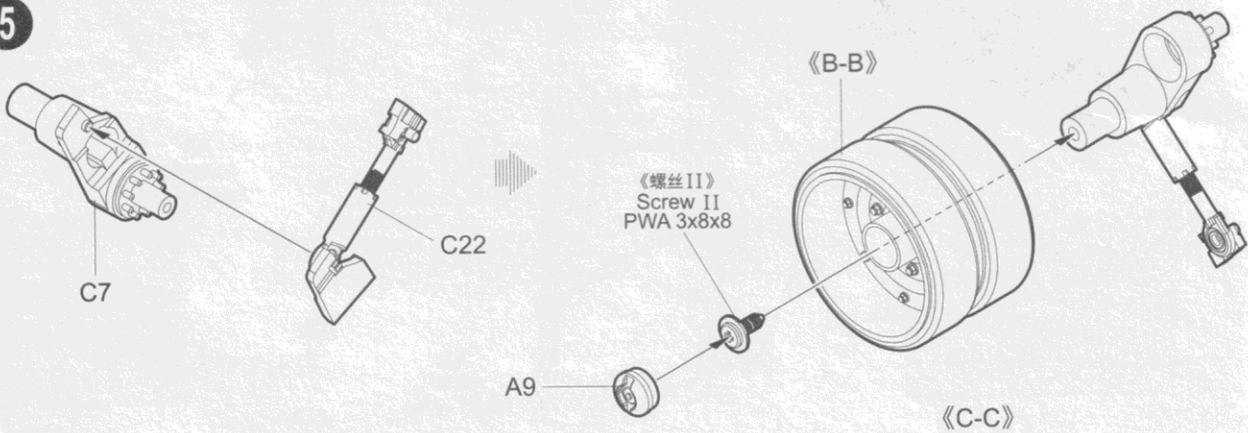
3



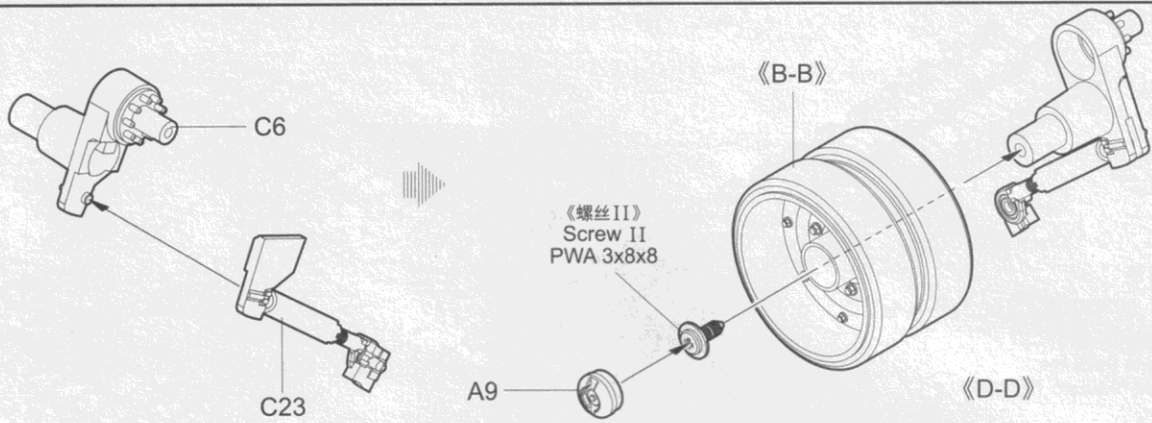
4



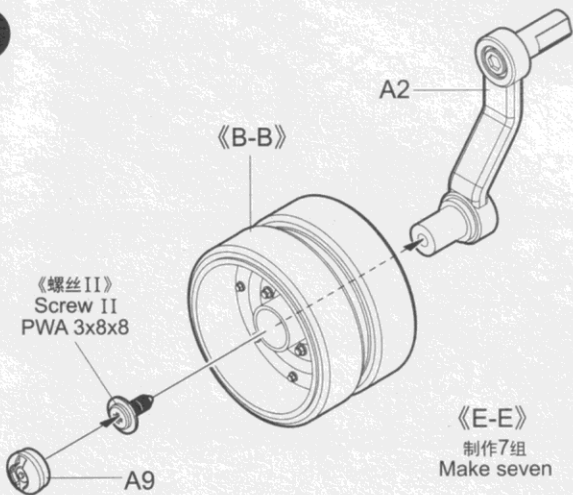
5



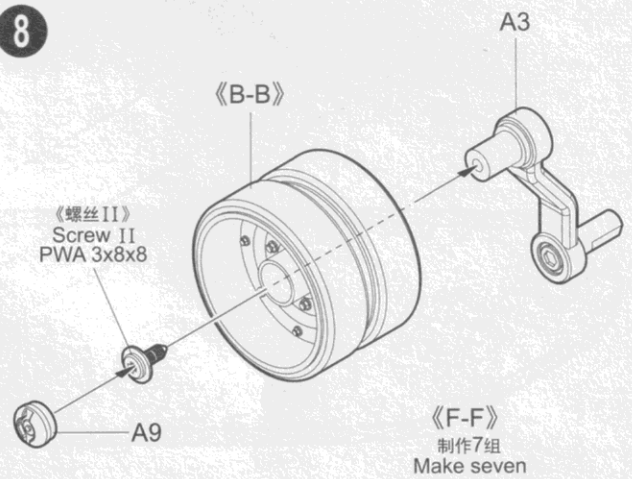
6



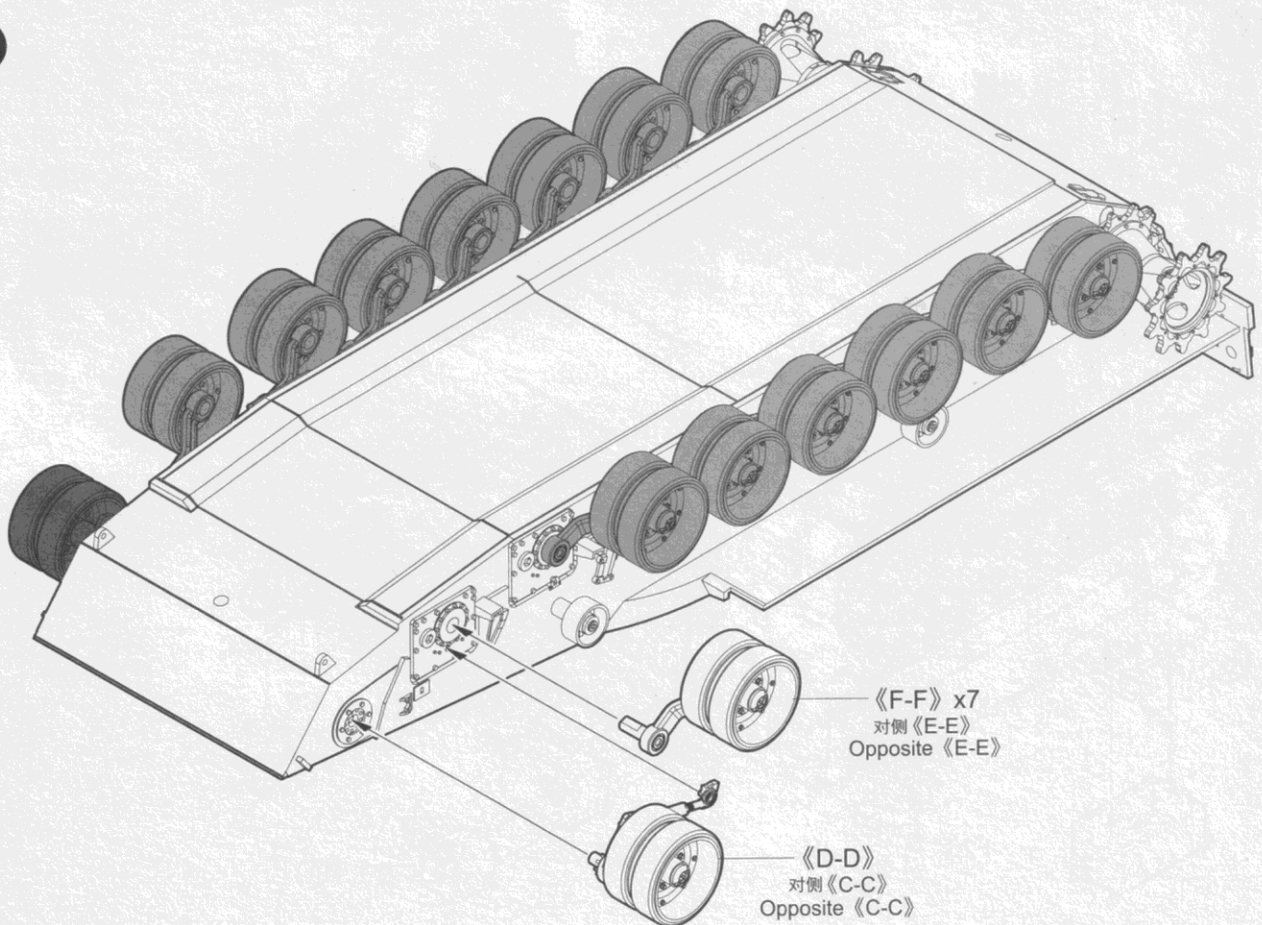
7



8

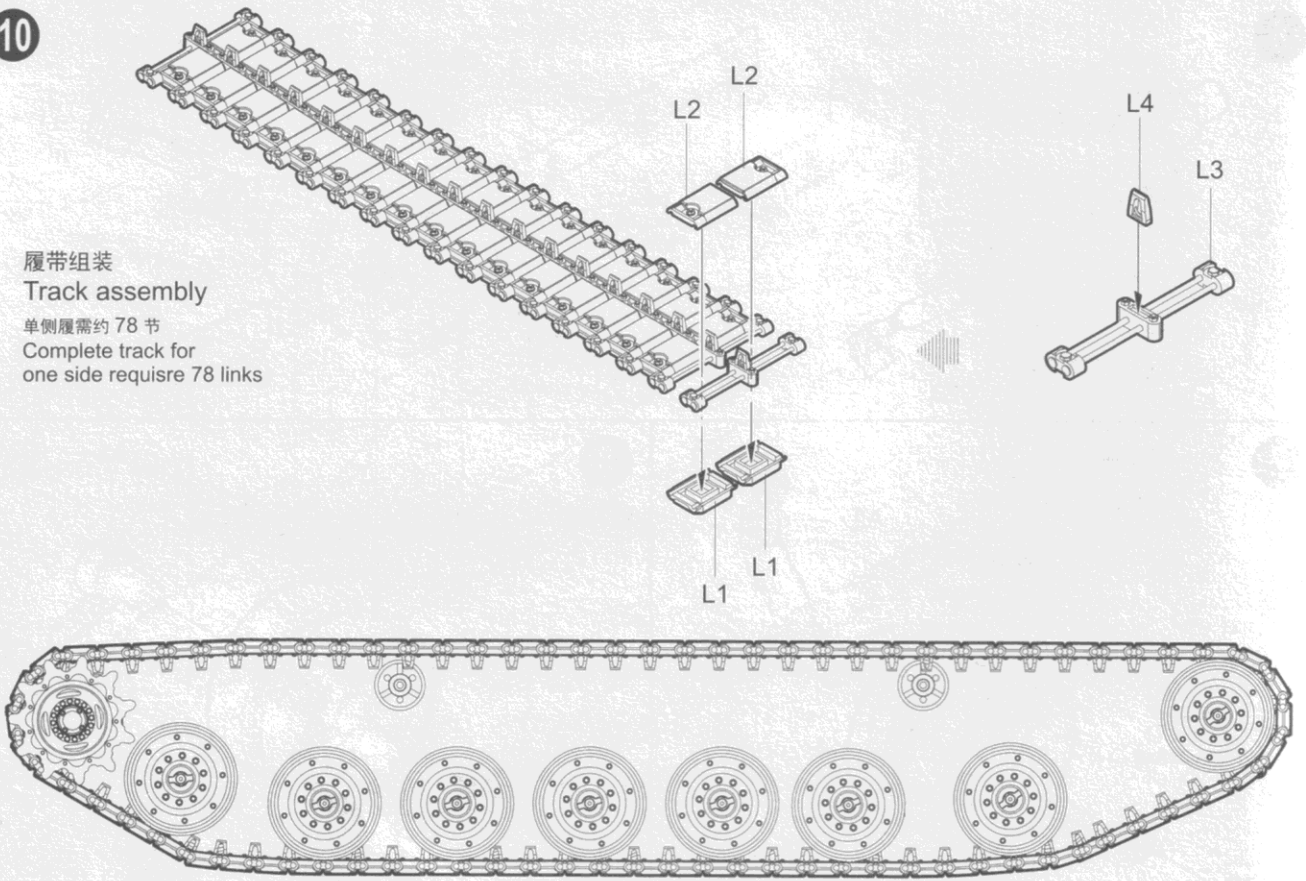


9

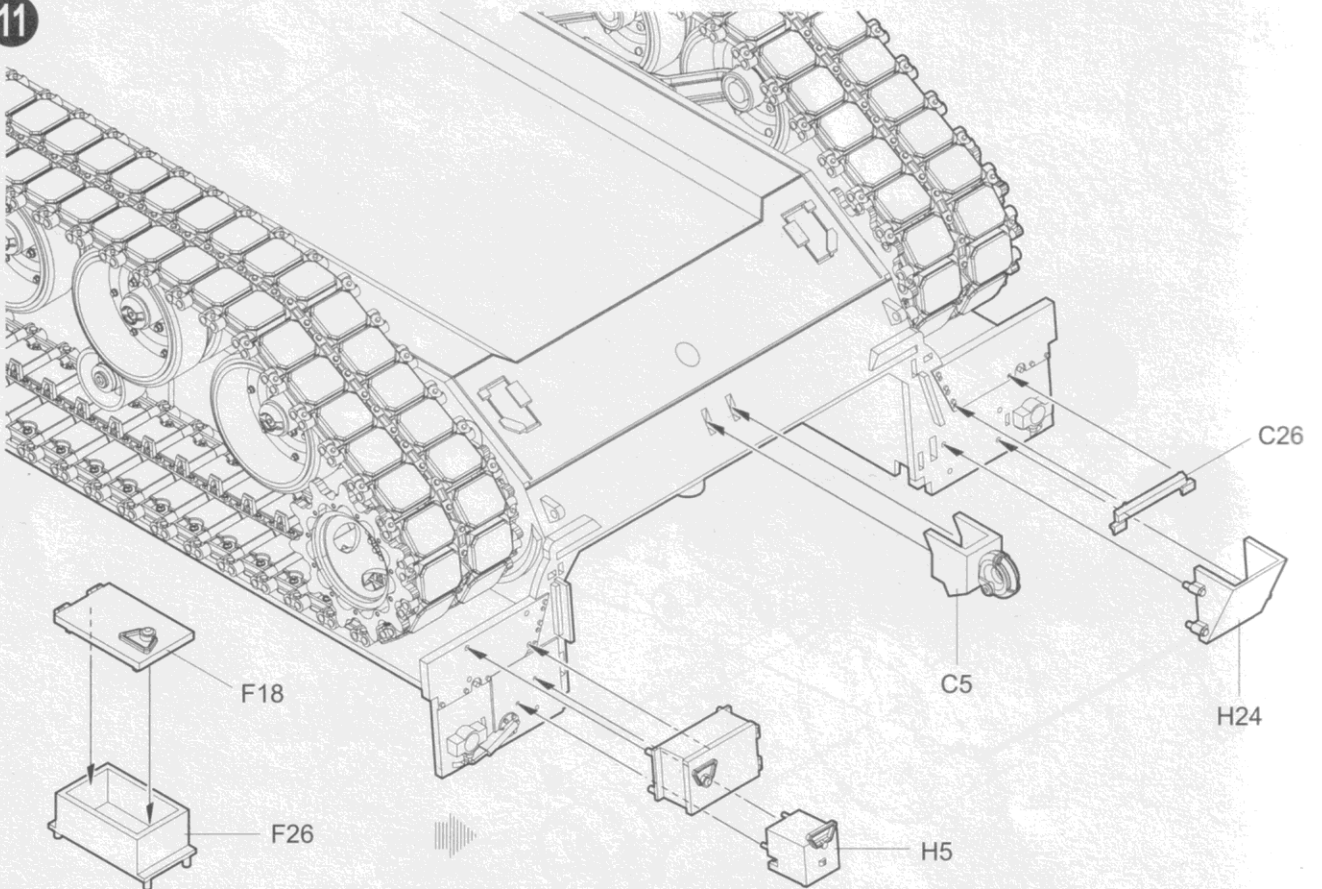


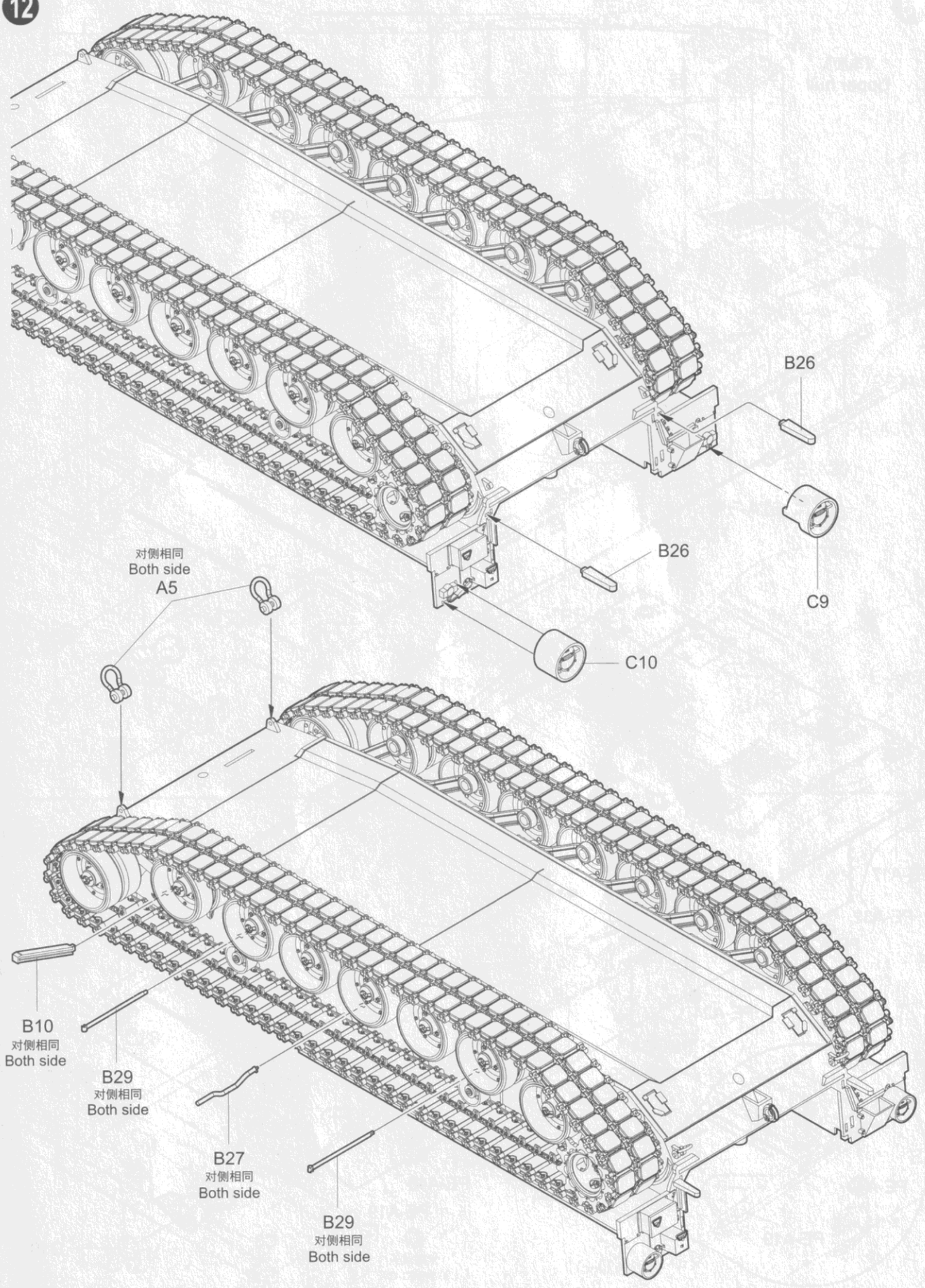
10

履带组装
Track assembly
单侧履带约 78 节
Complete track for
one side require 78 links



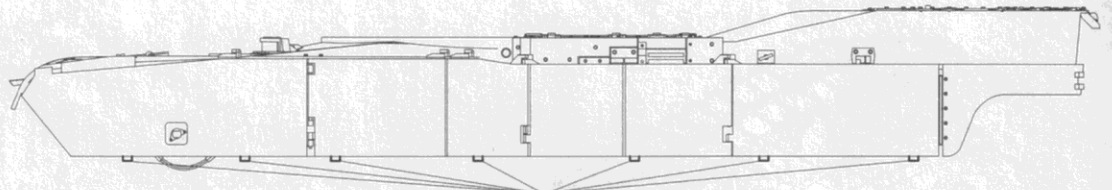
11



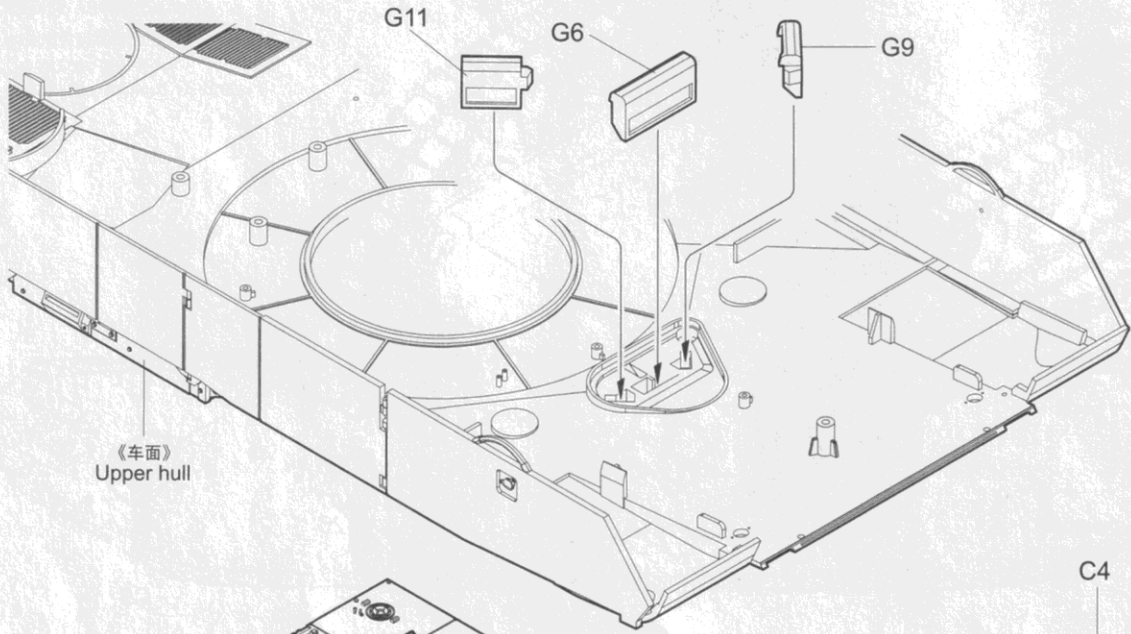


13

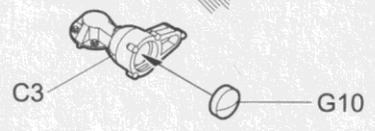
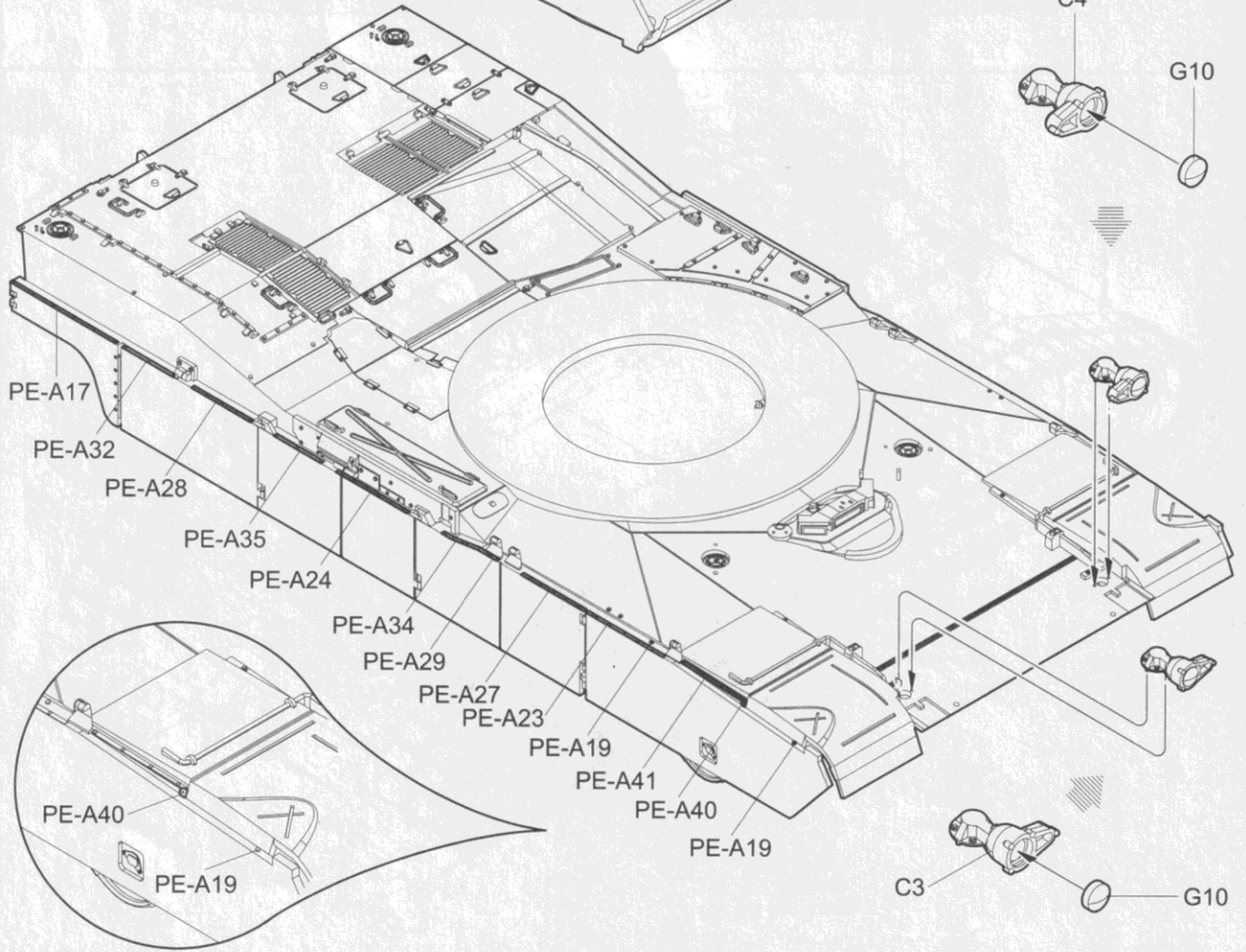
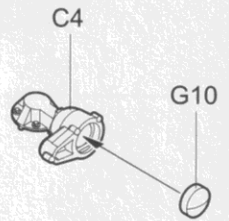
《车面》
Upper hull



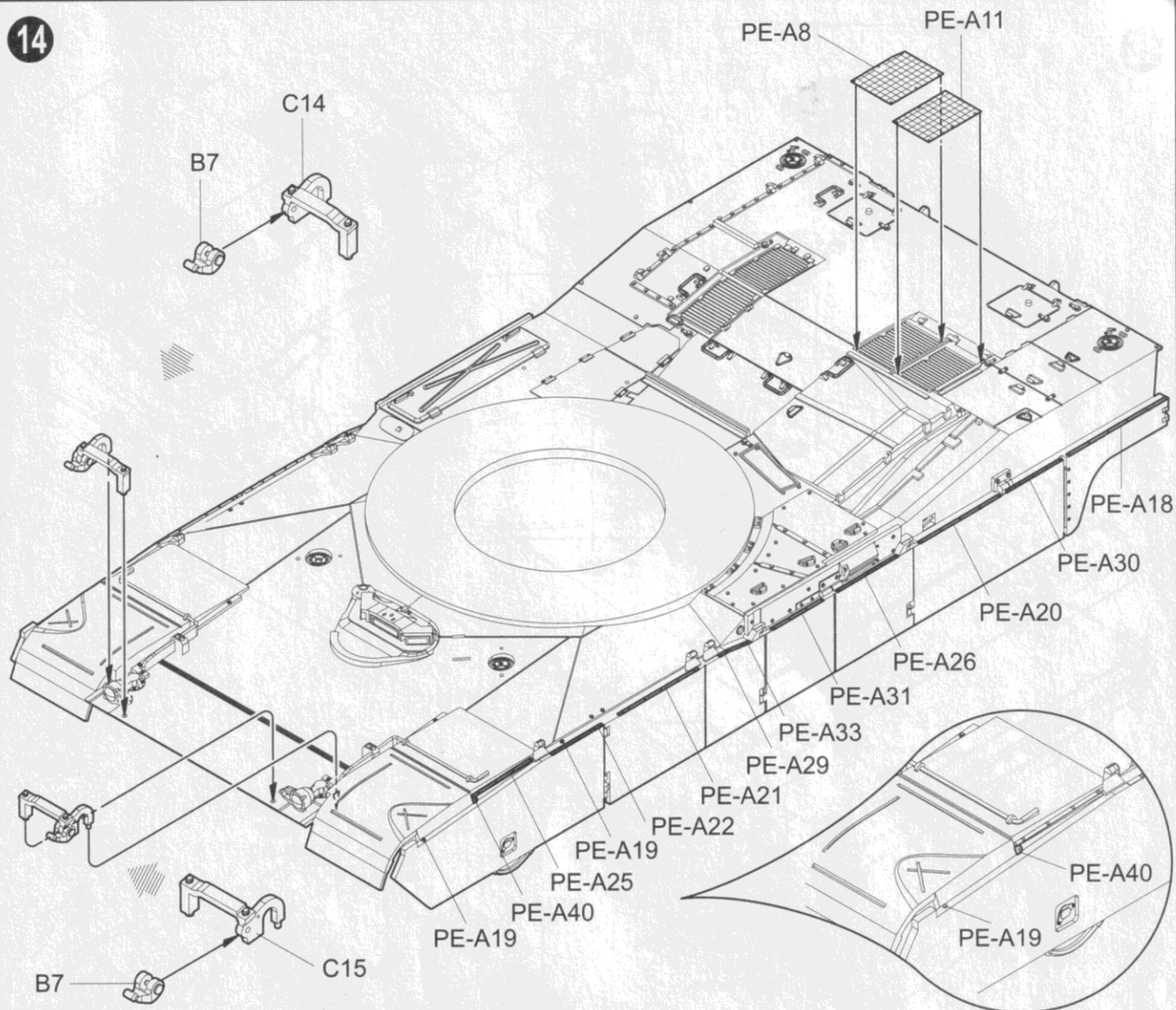
切除
Cut / Remove



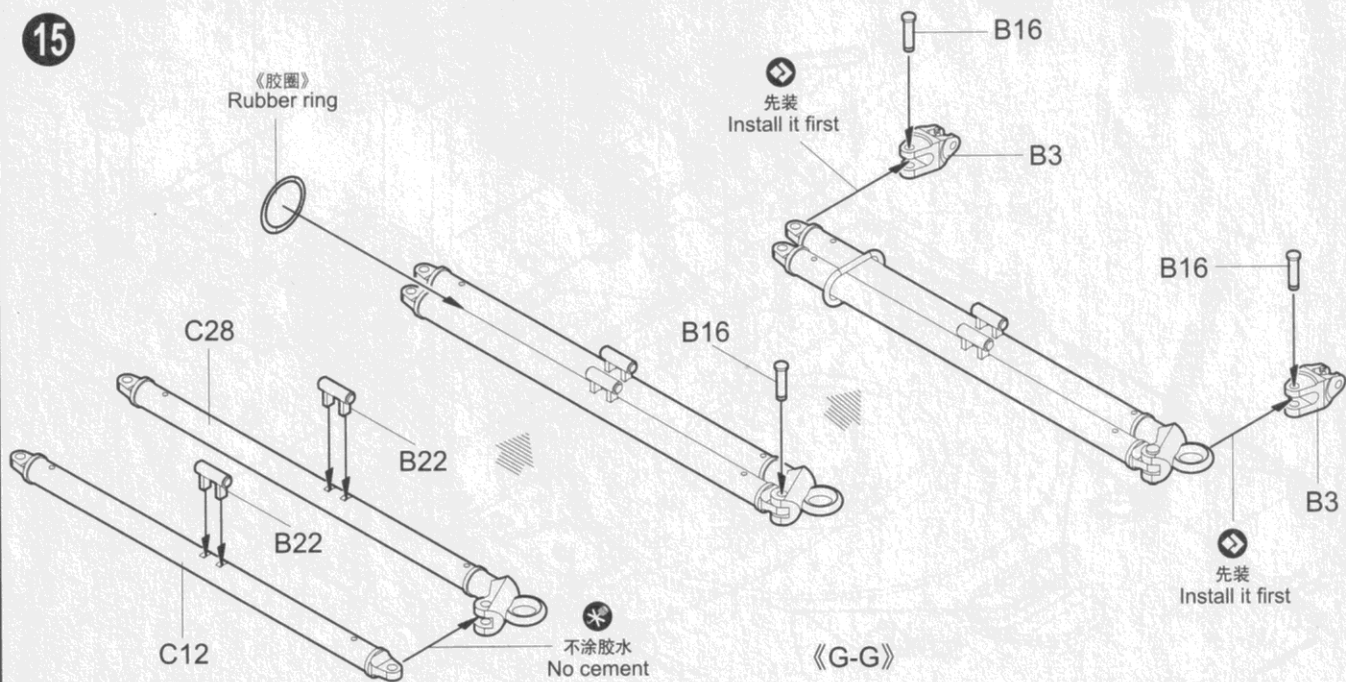
《车面》
Upper hull



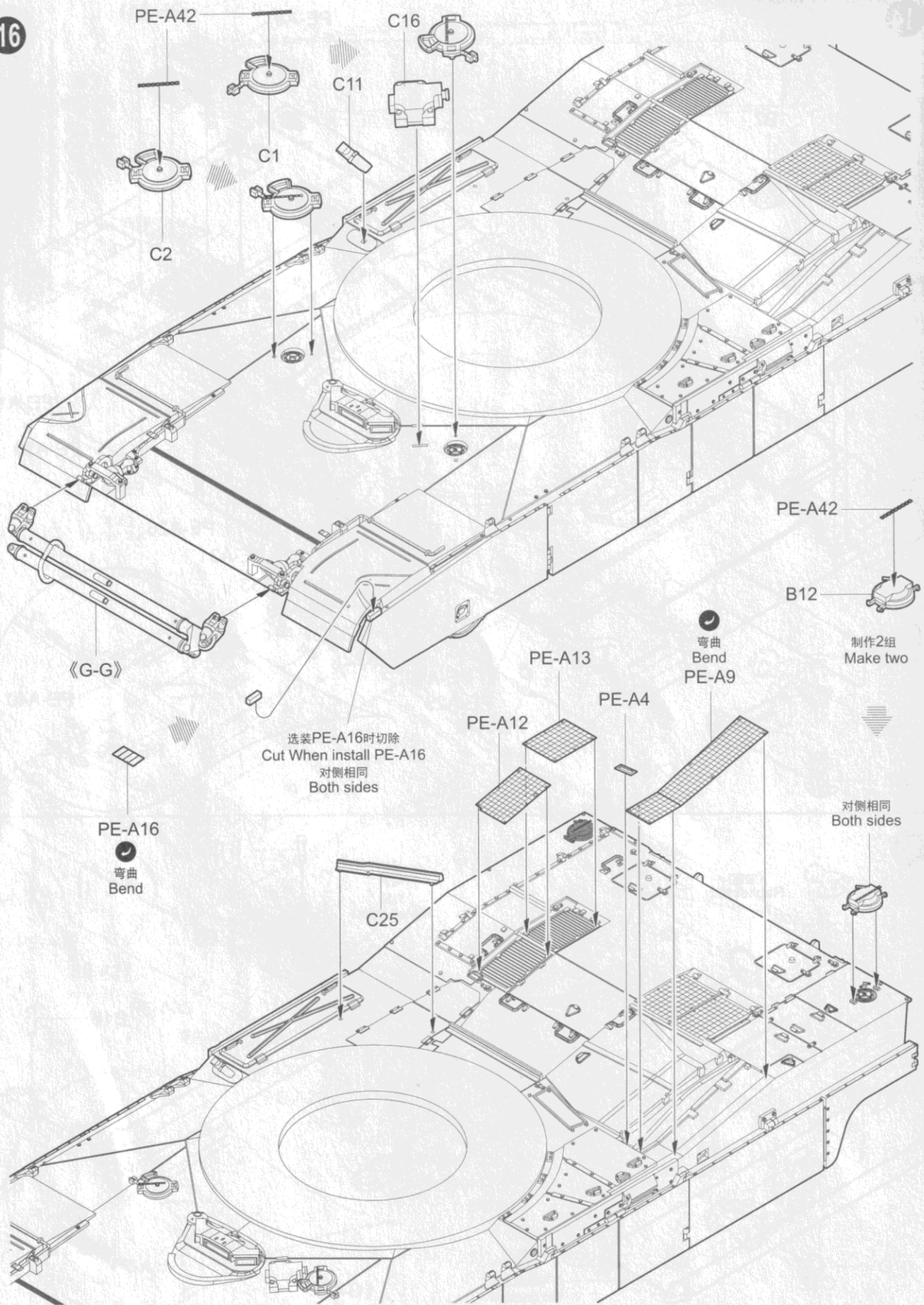
14



15

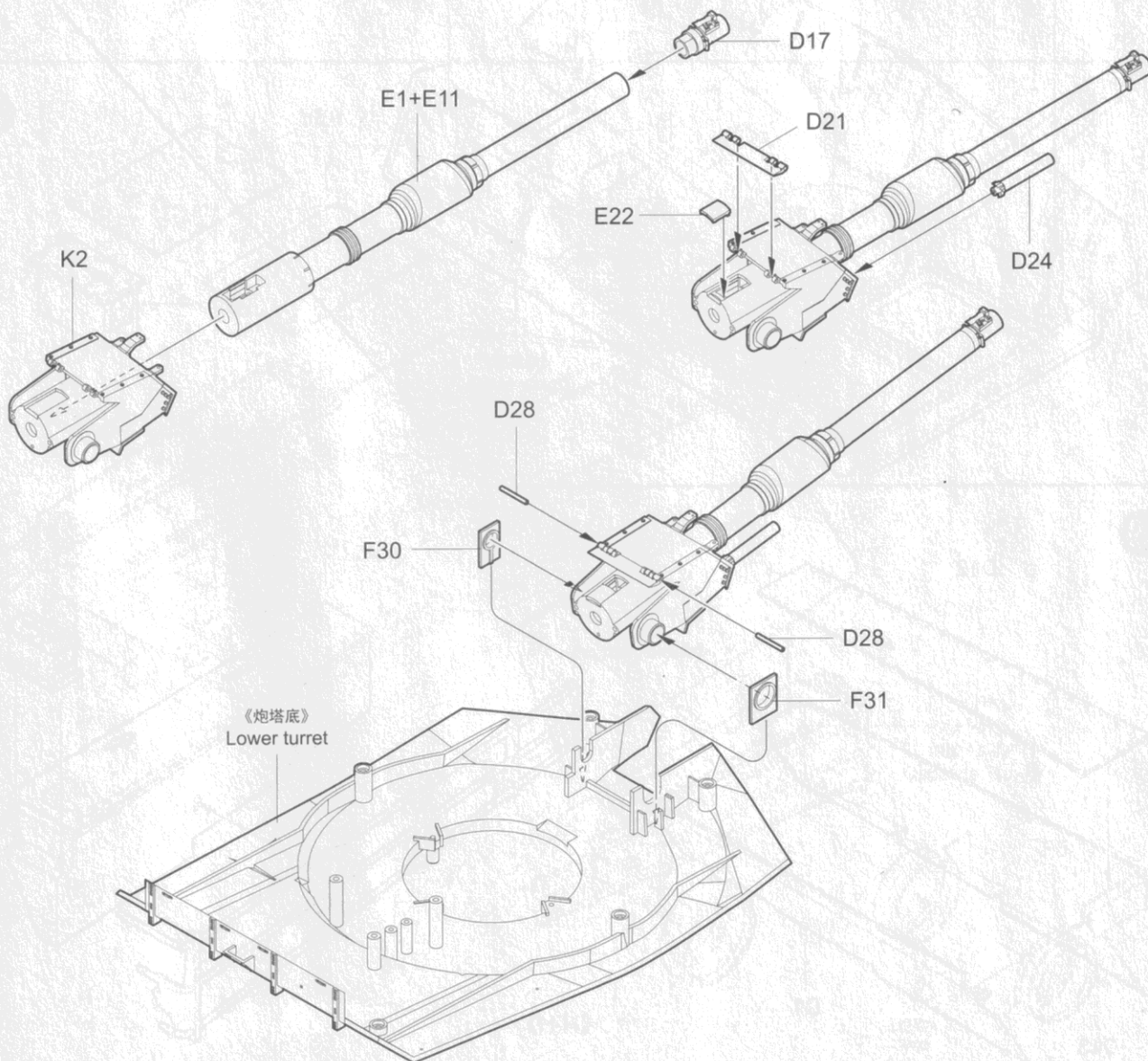
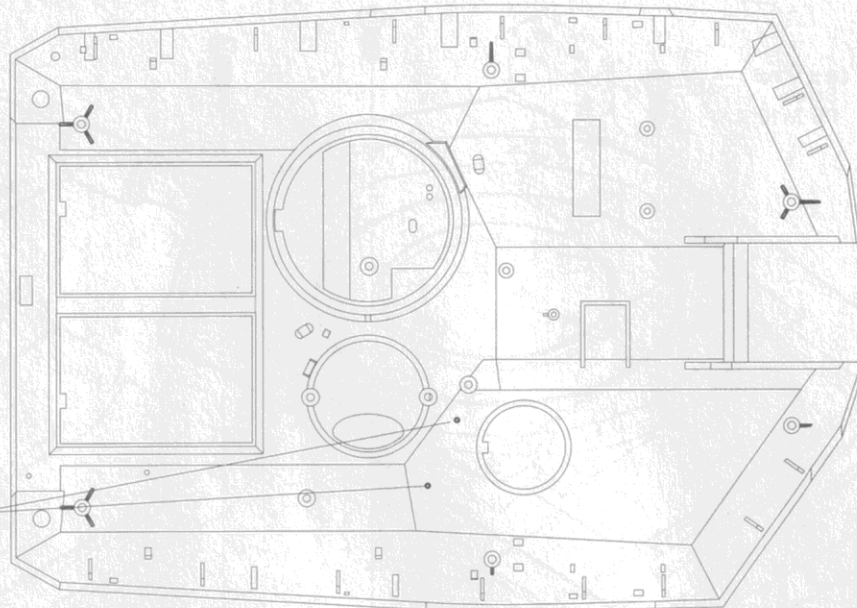


16



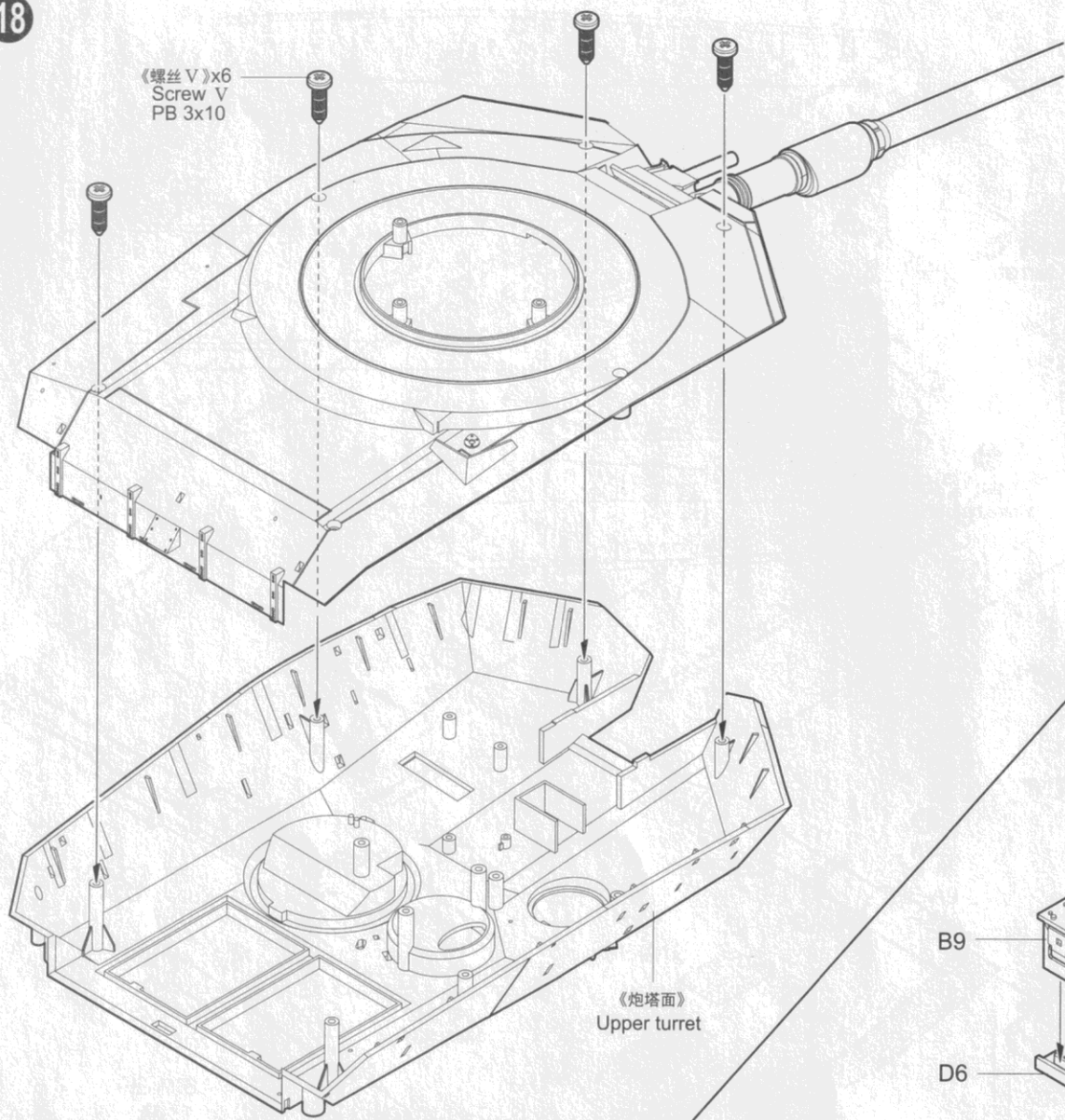
《炮塔面》
Upper turret

①
钻孔
Make holes

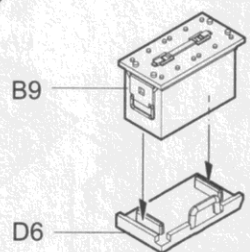


18

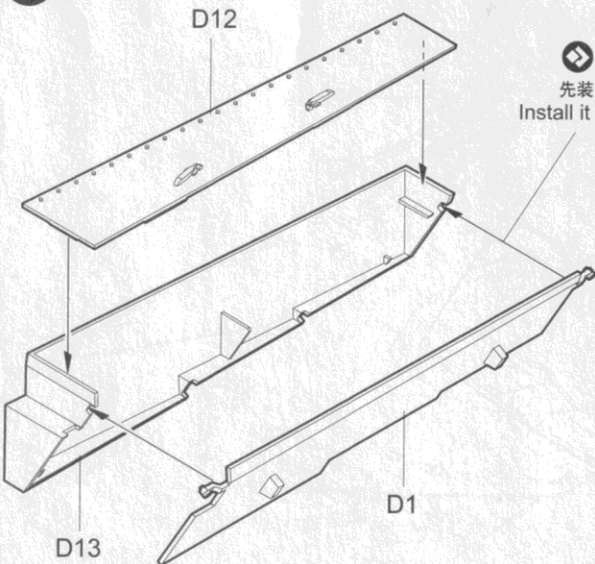
《螺丝 V》x6
Screw V
PB 3x10



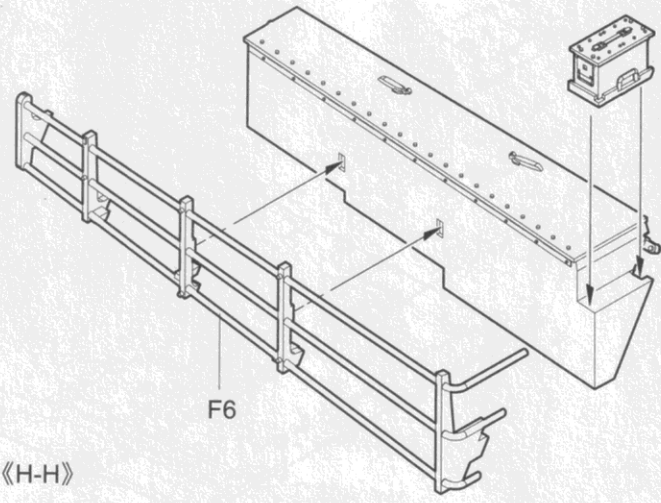
《炮塔面》
Upper turret



19

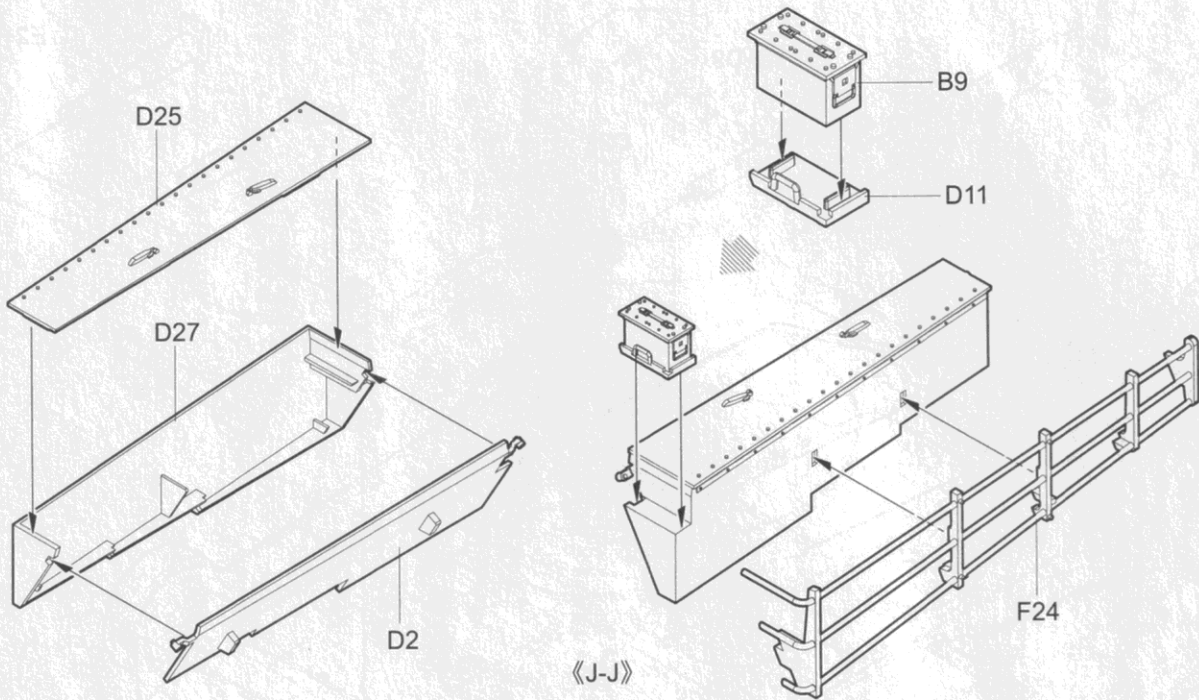


先装
Install it first

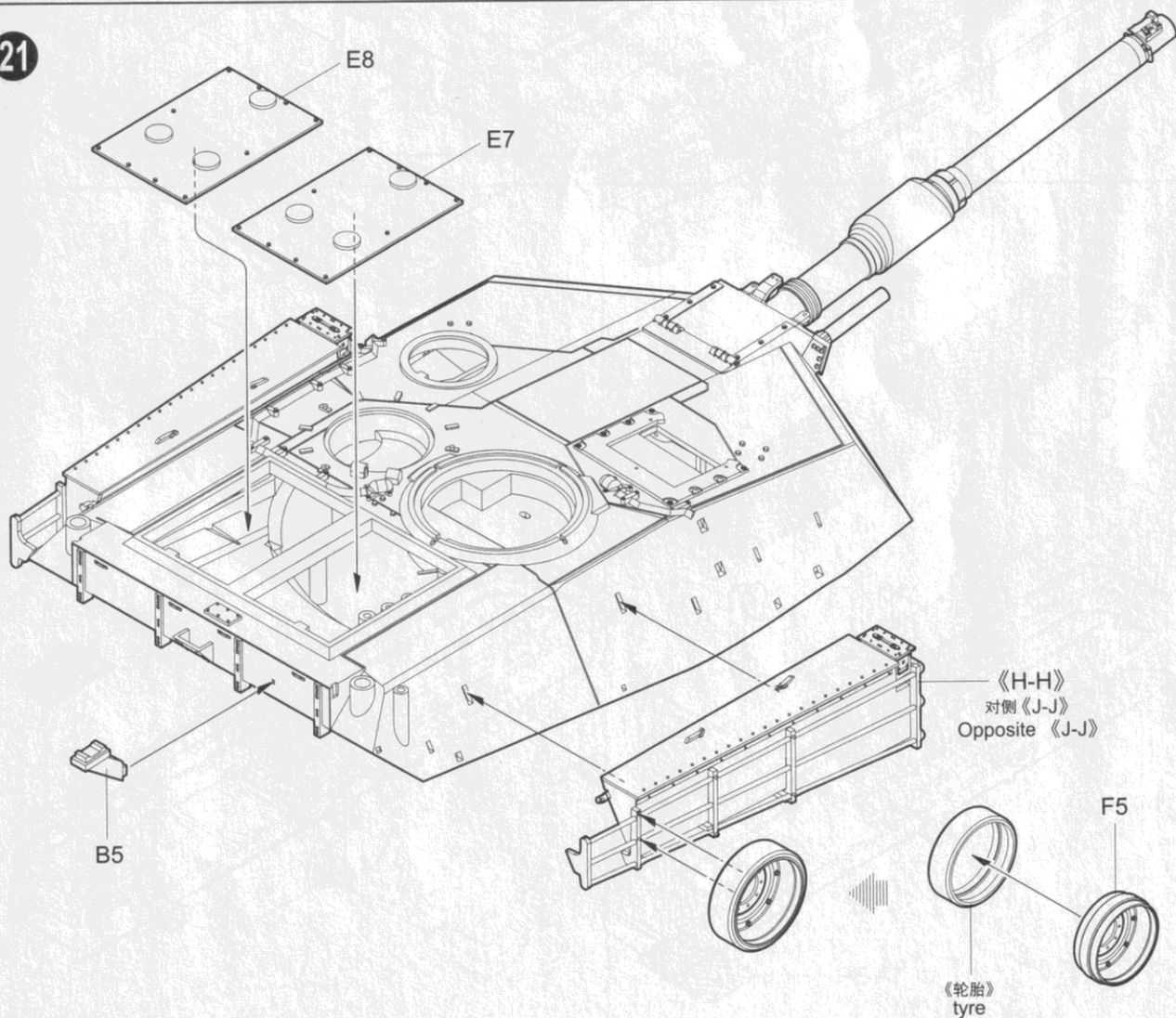


《H-H》

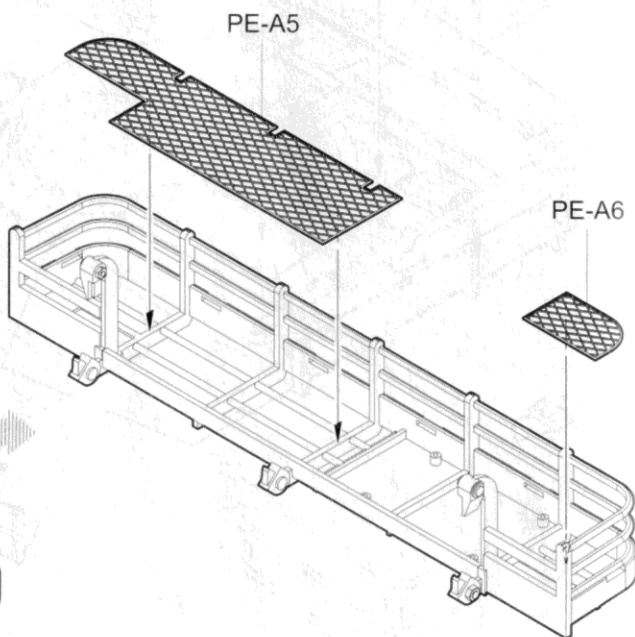
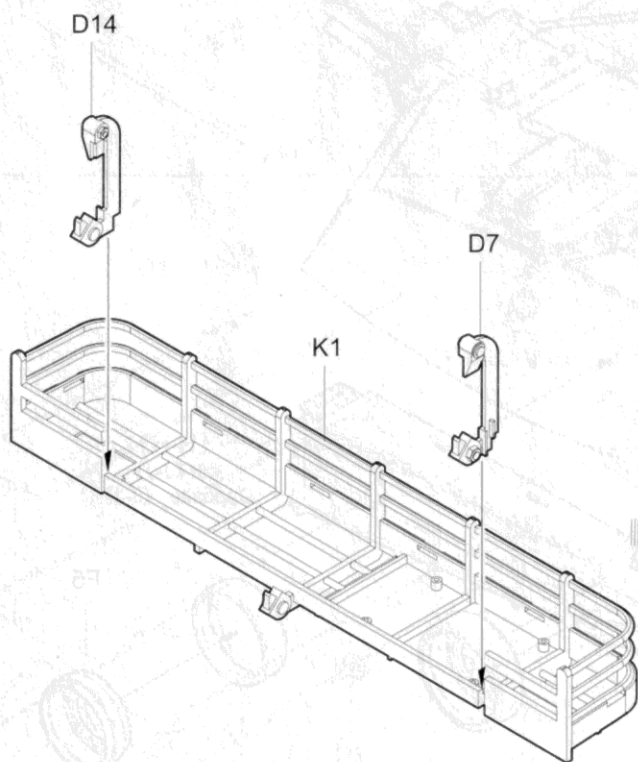
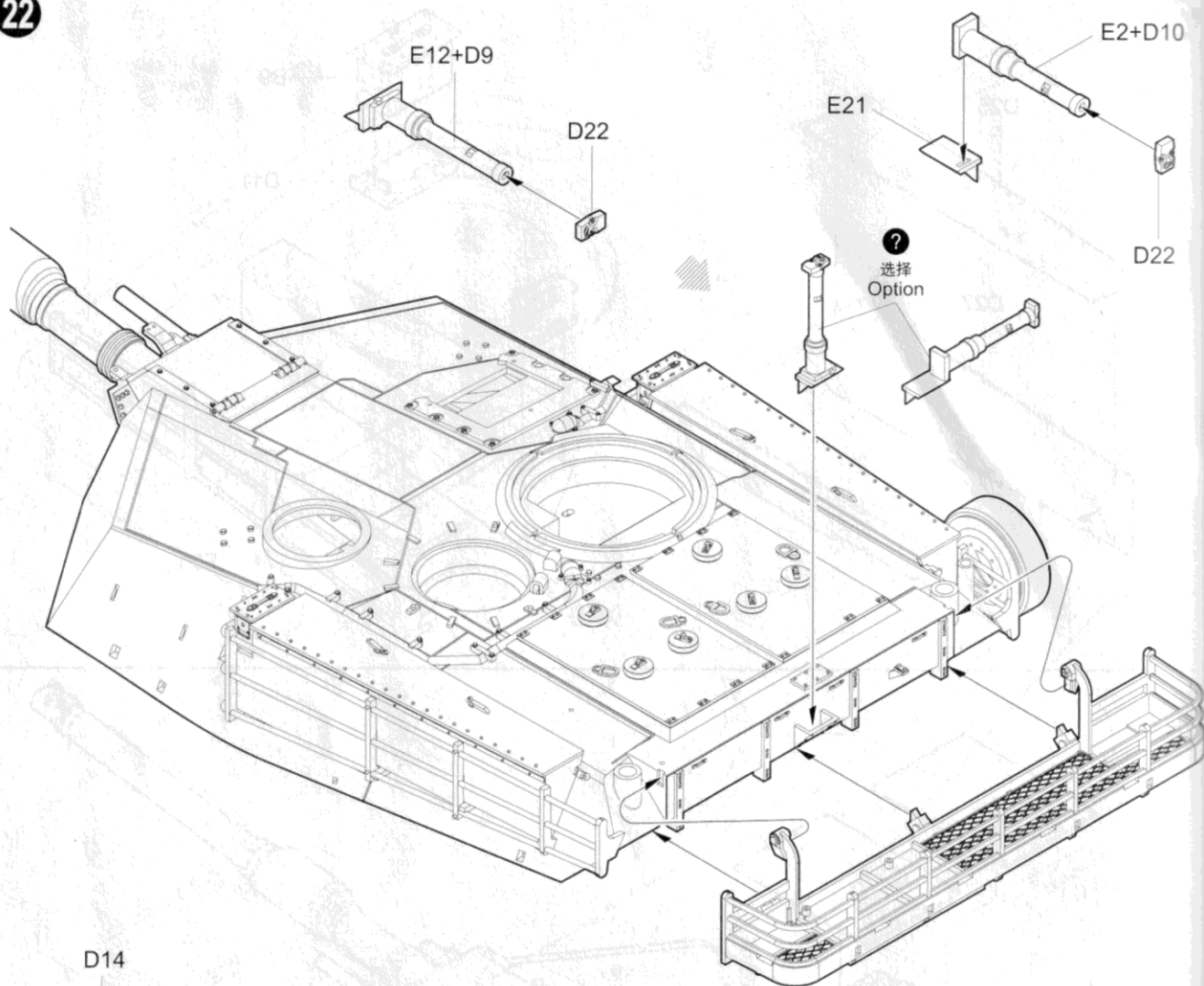
20



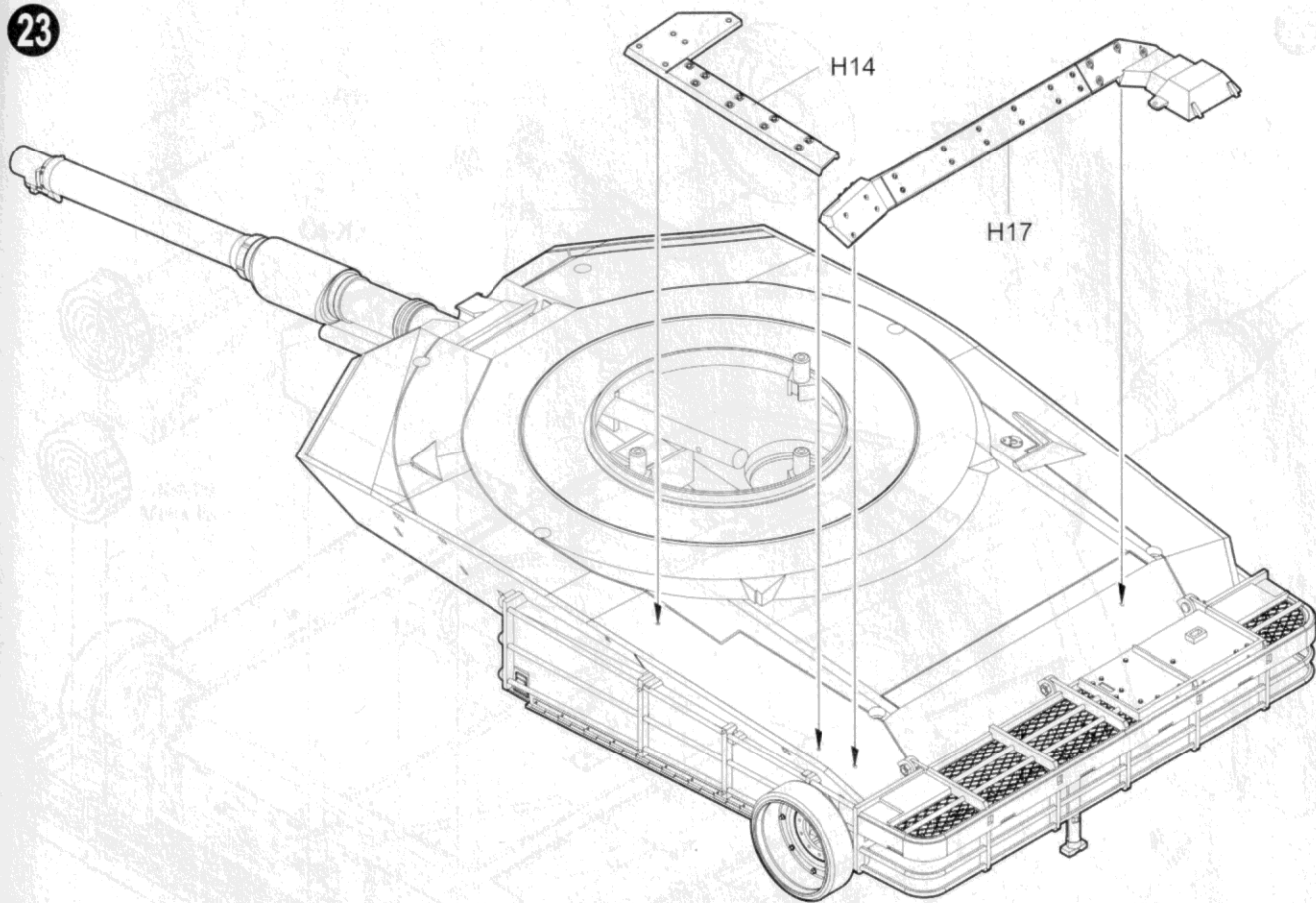
21



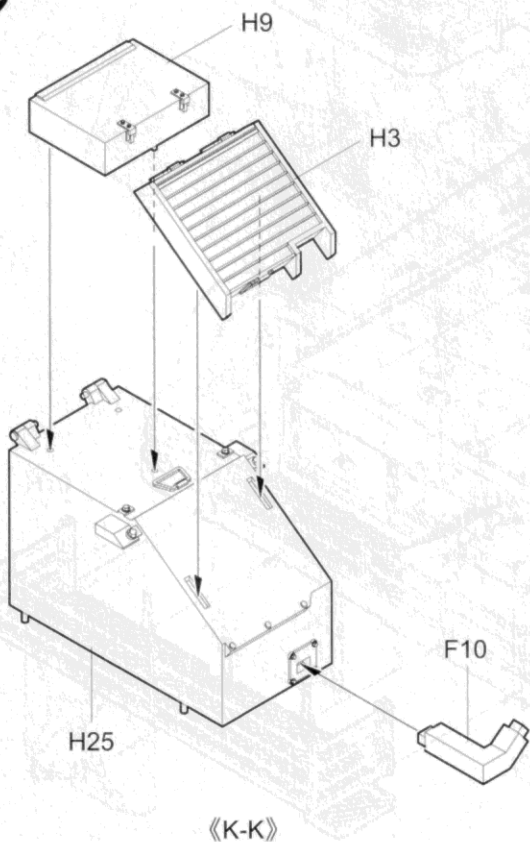
22



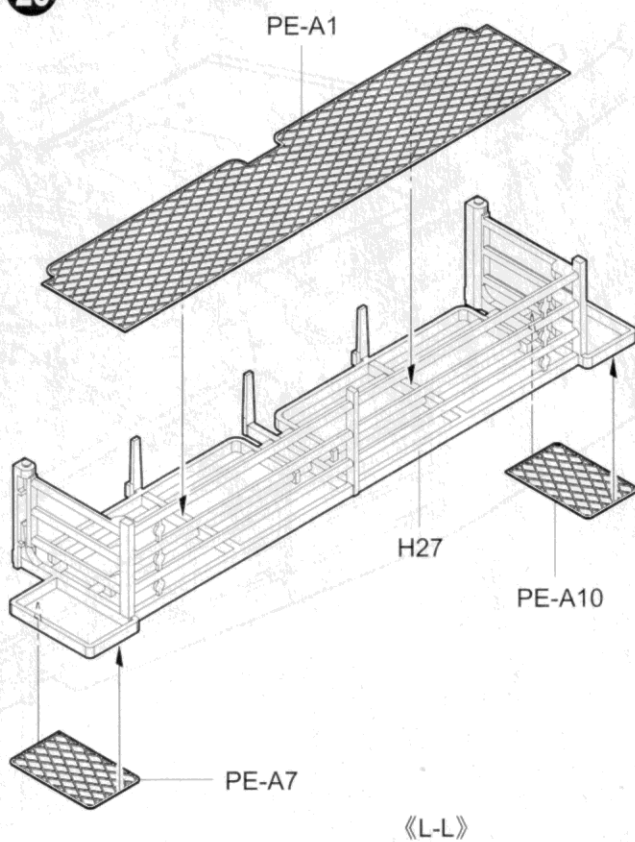
23



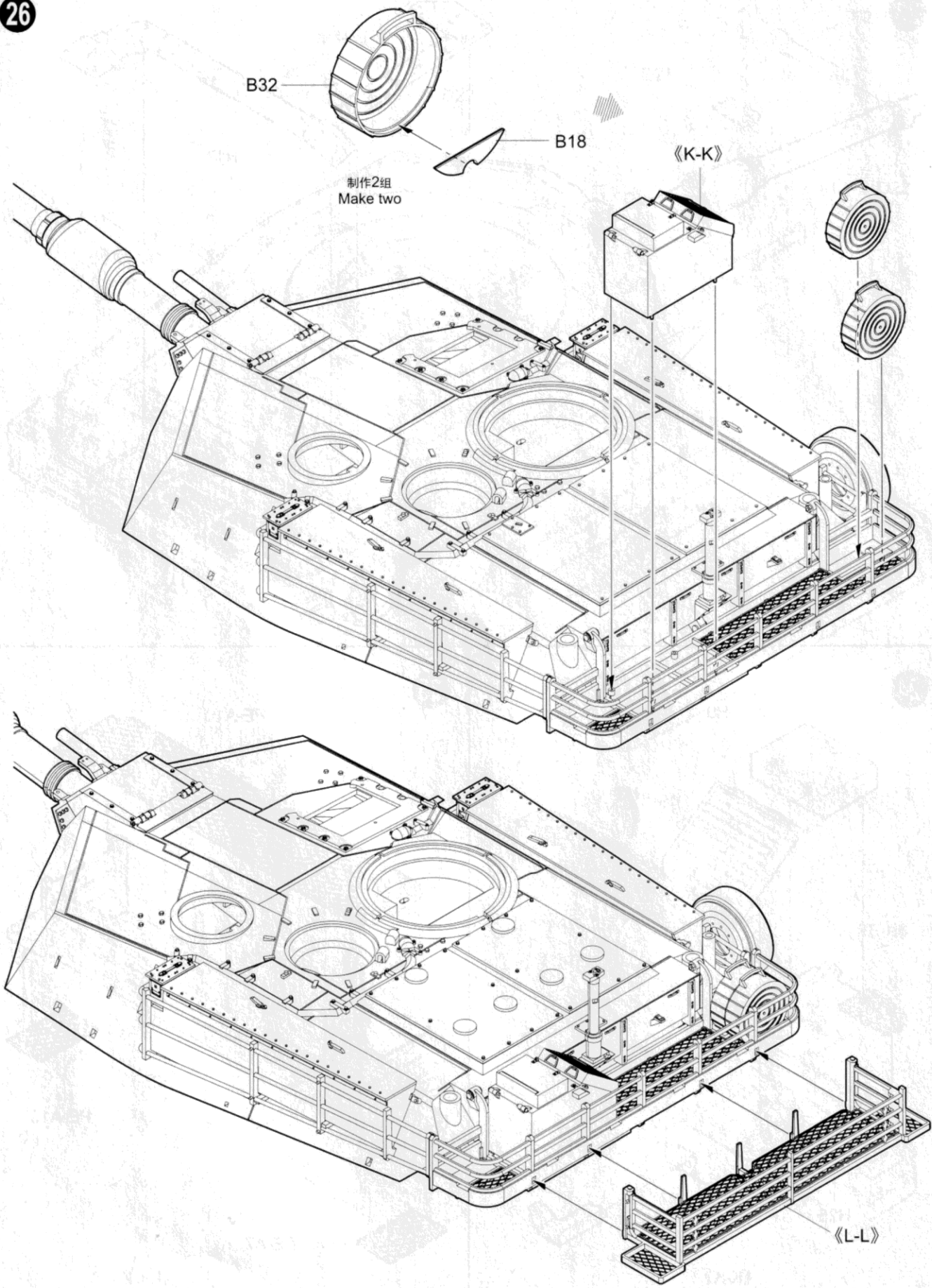
24



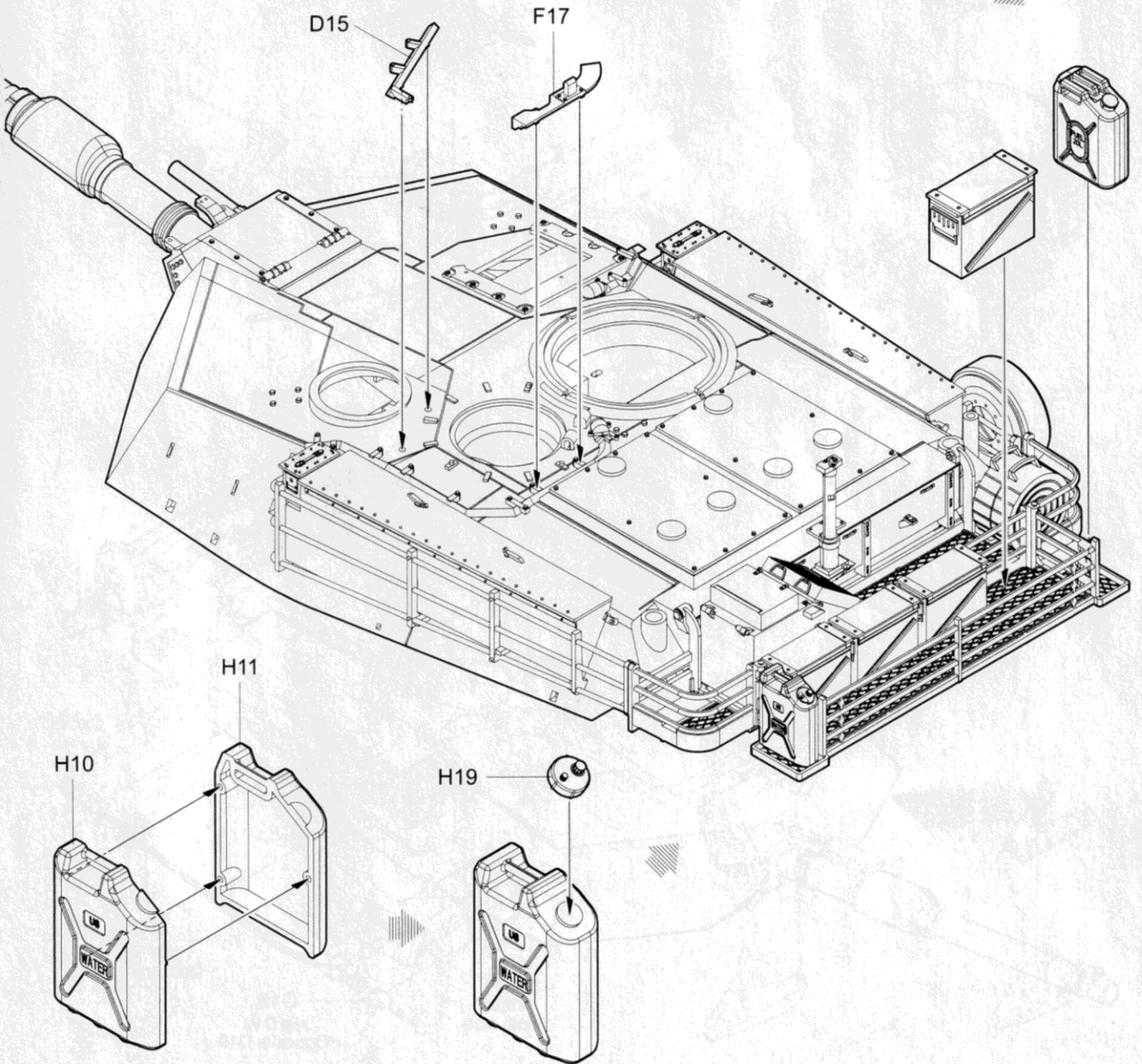
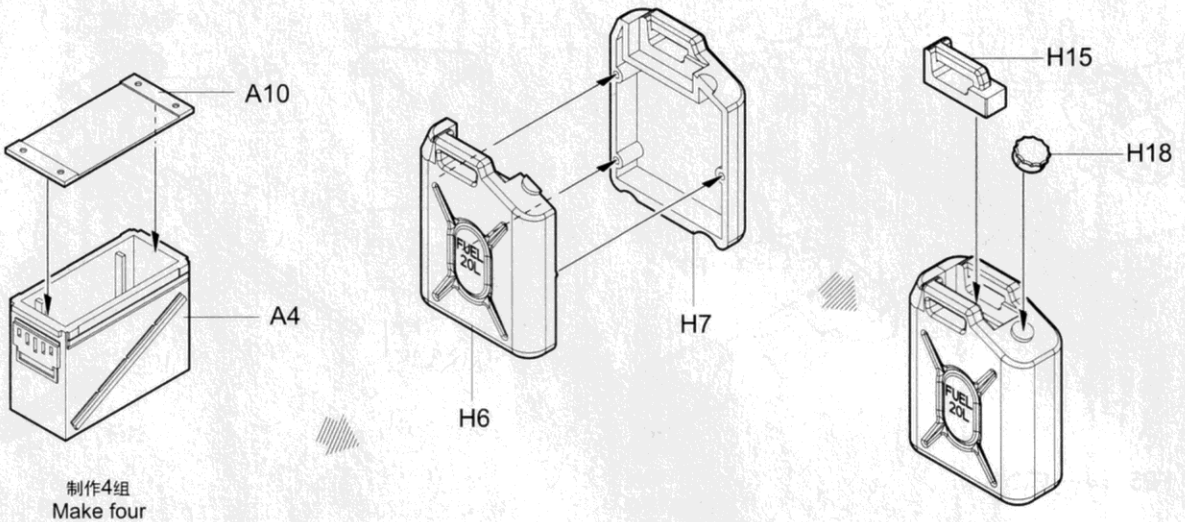
25

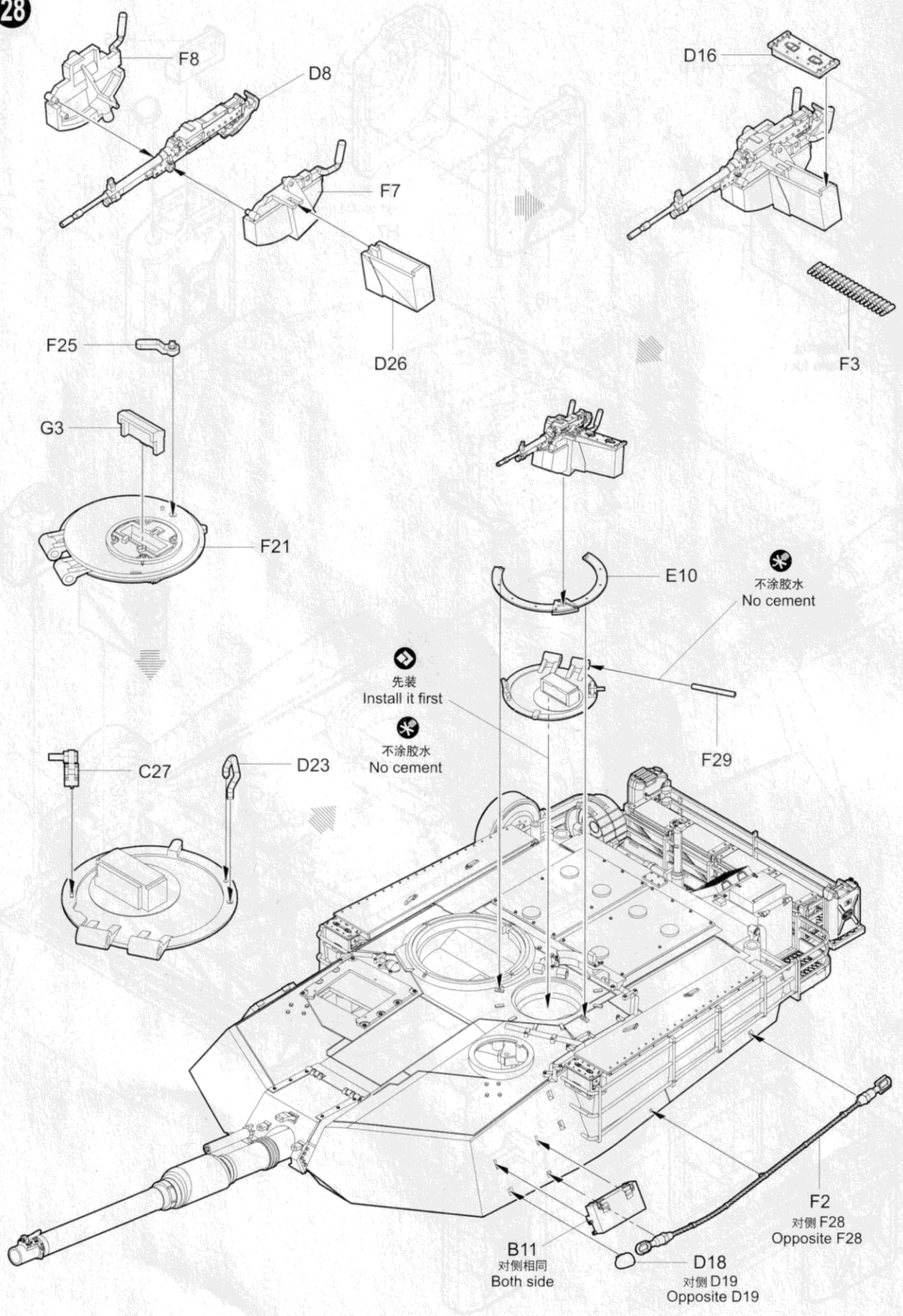


26

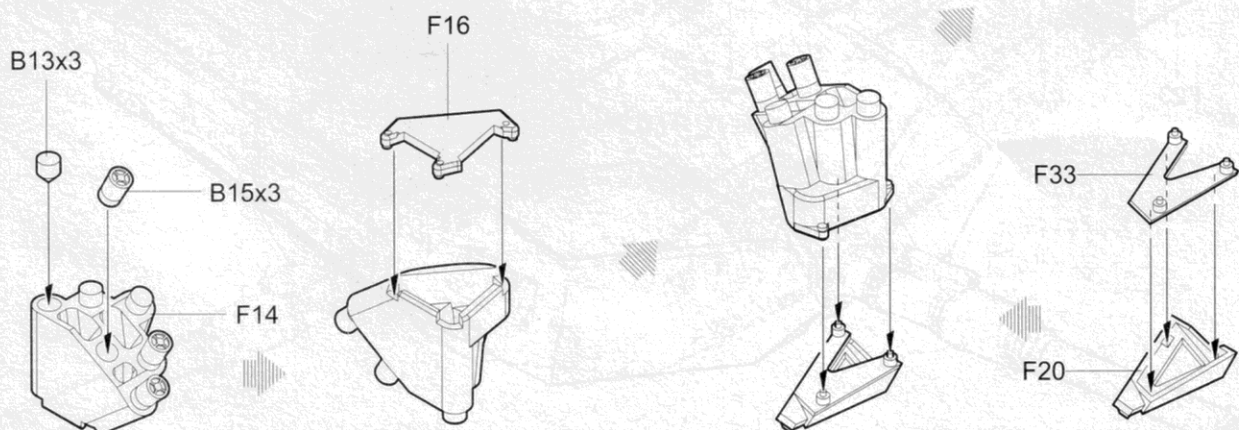
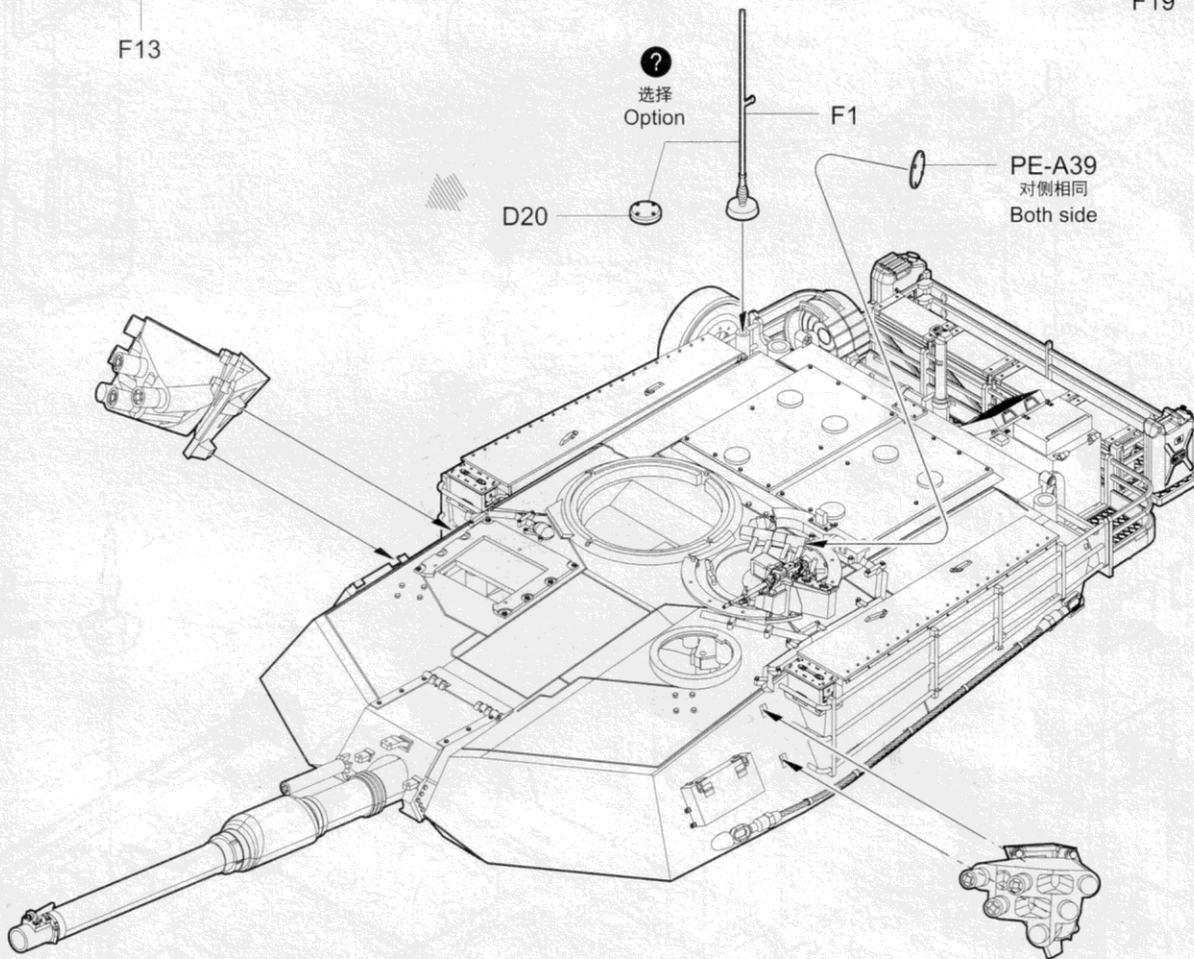
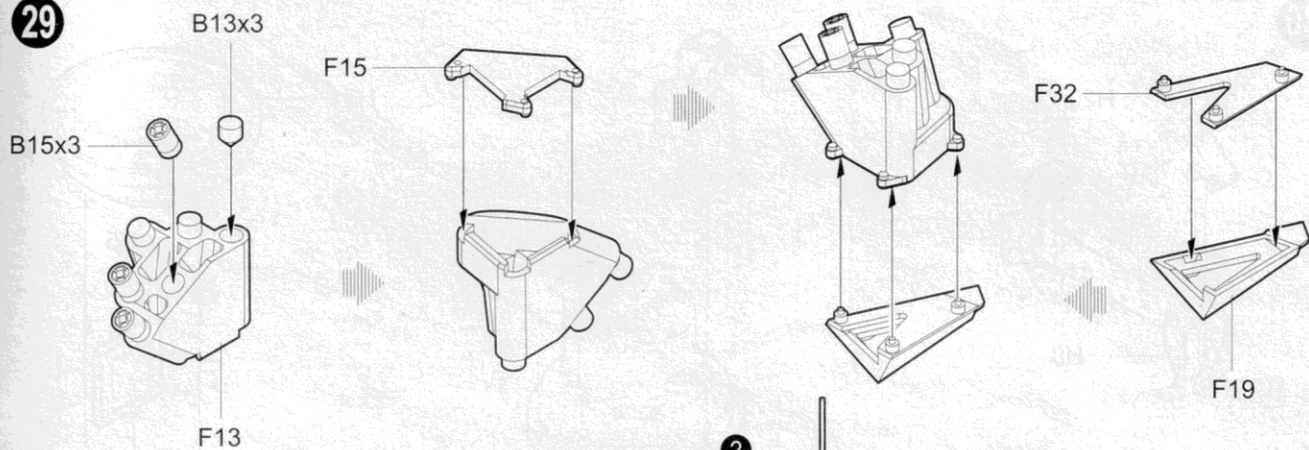


27

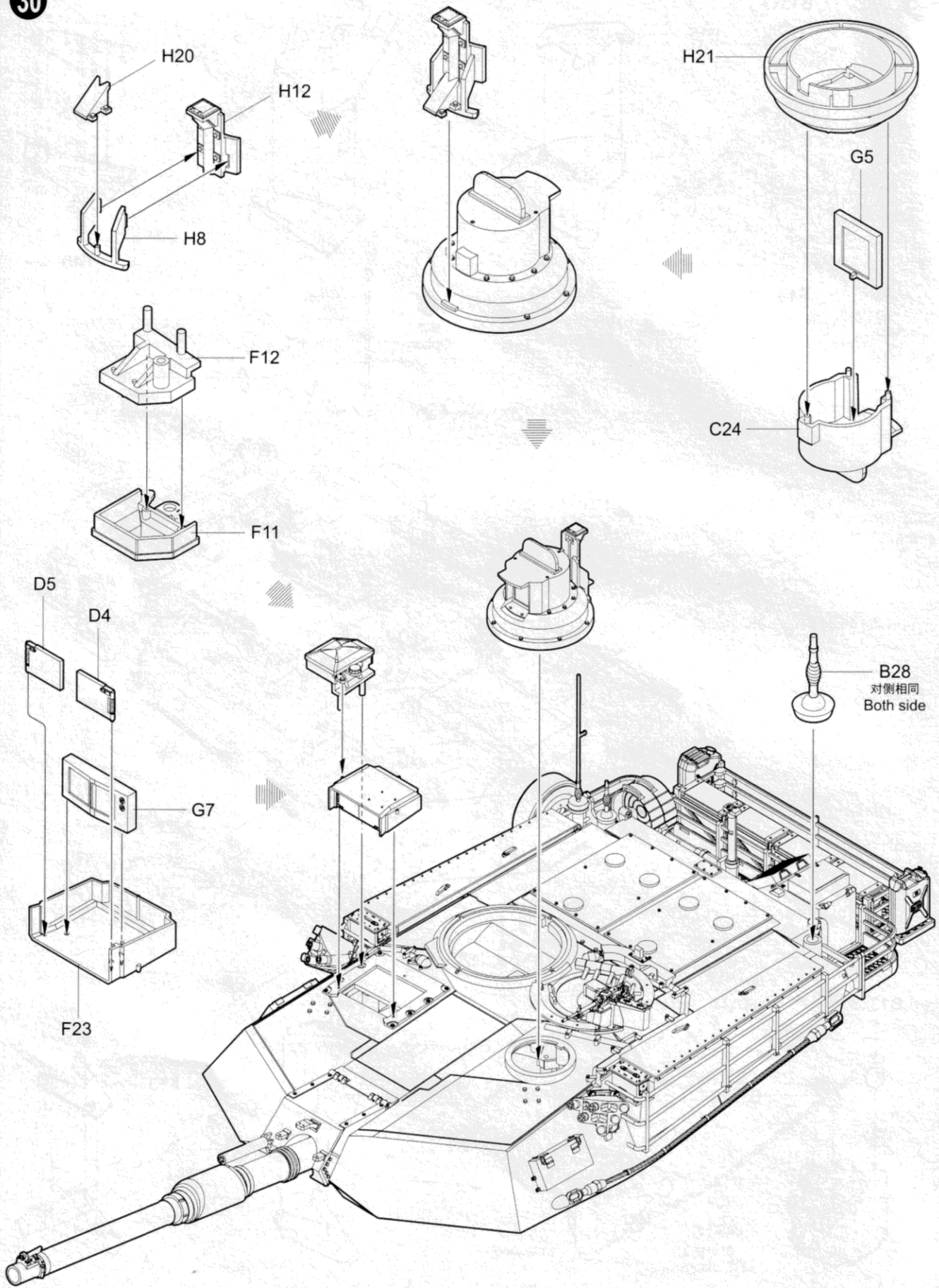




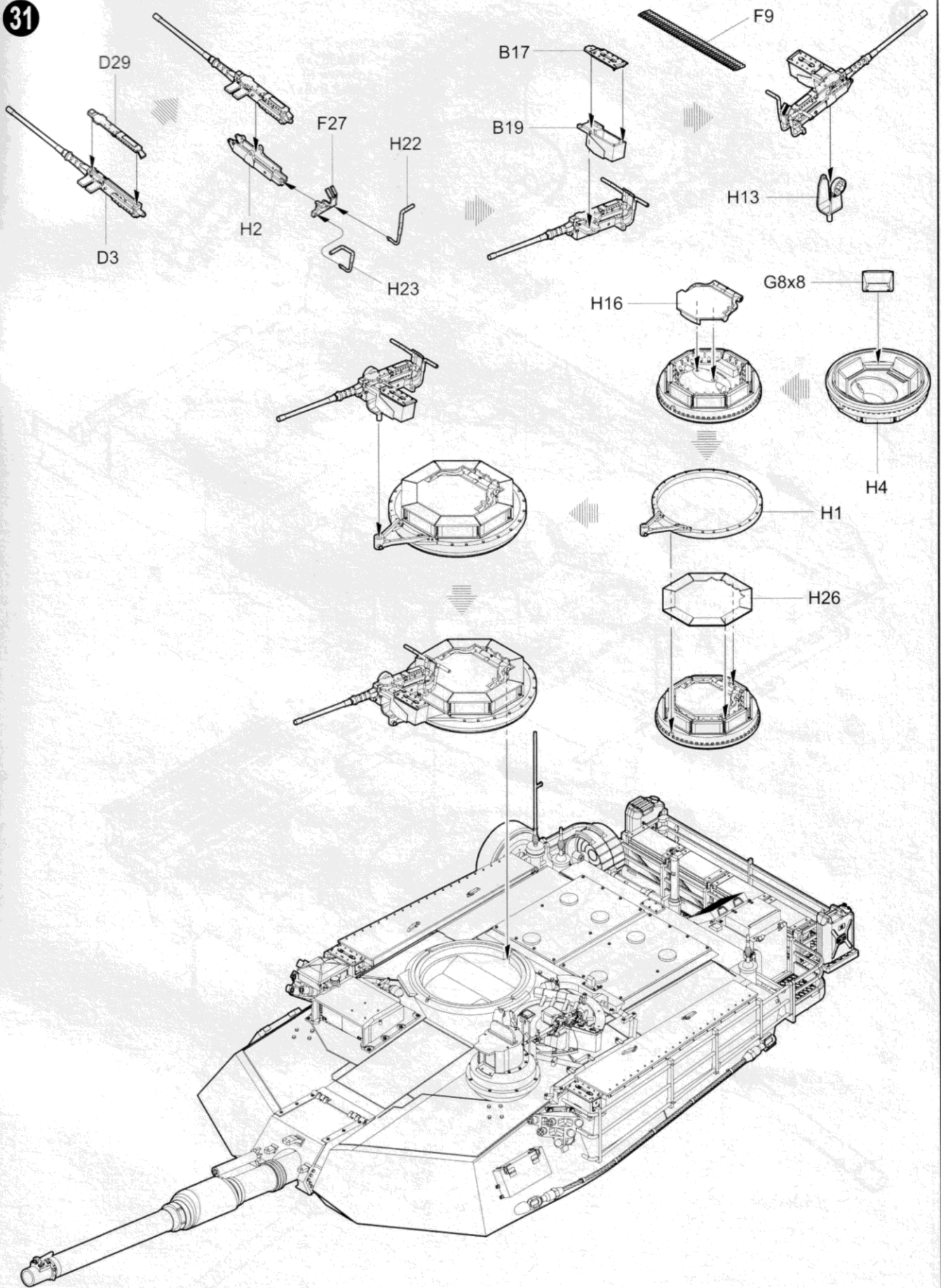
29

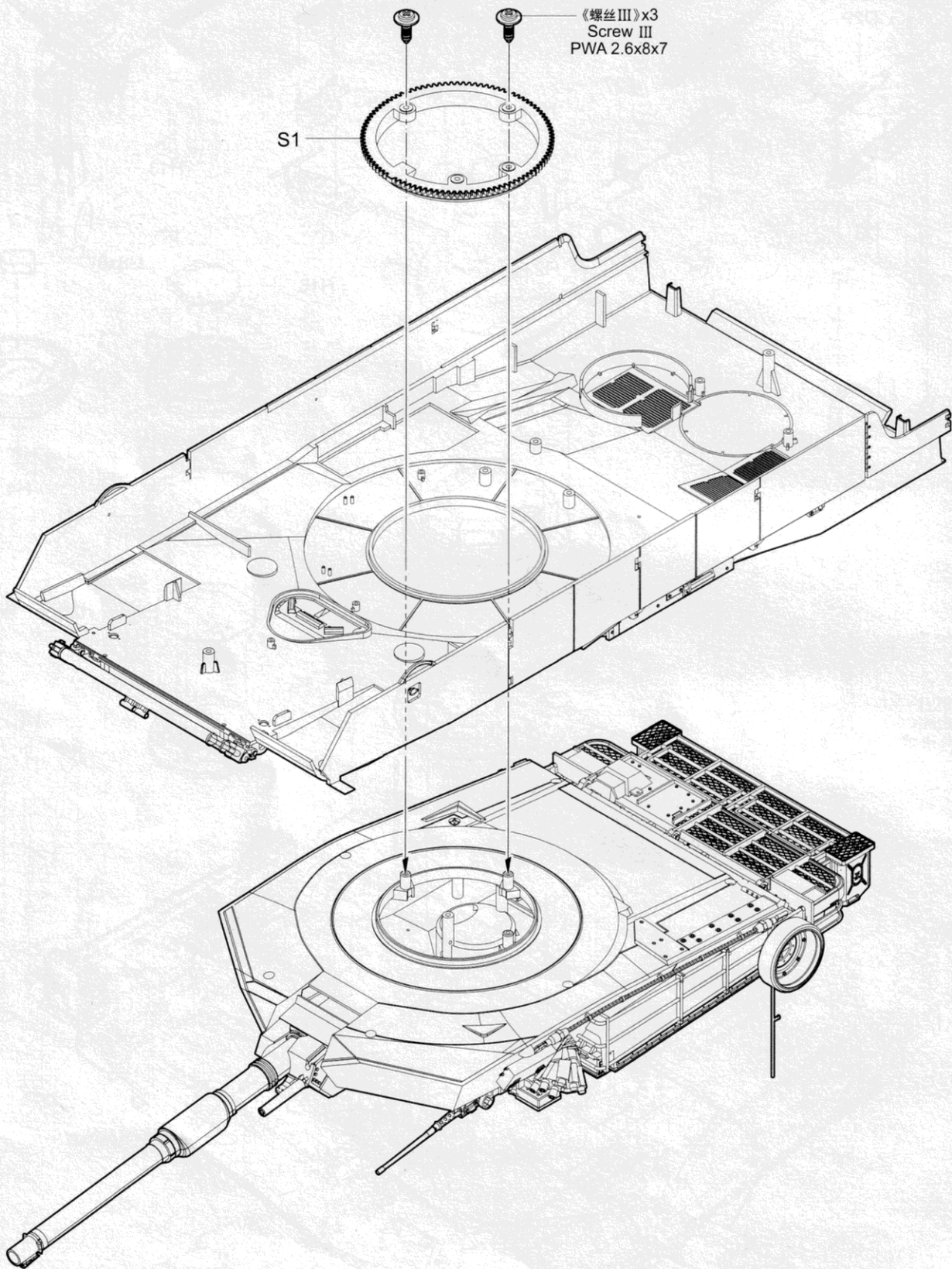


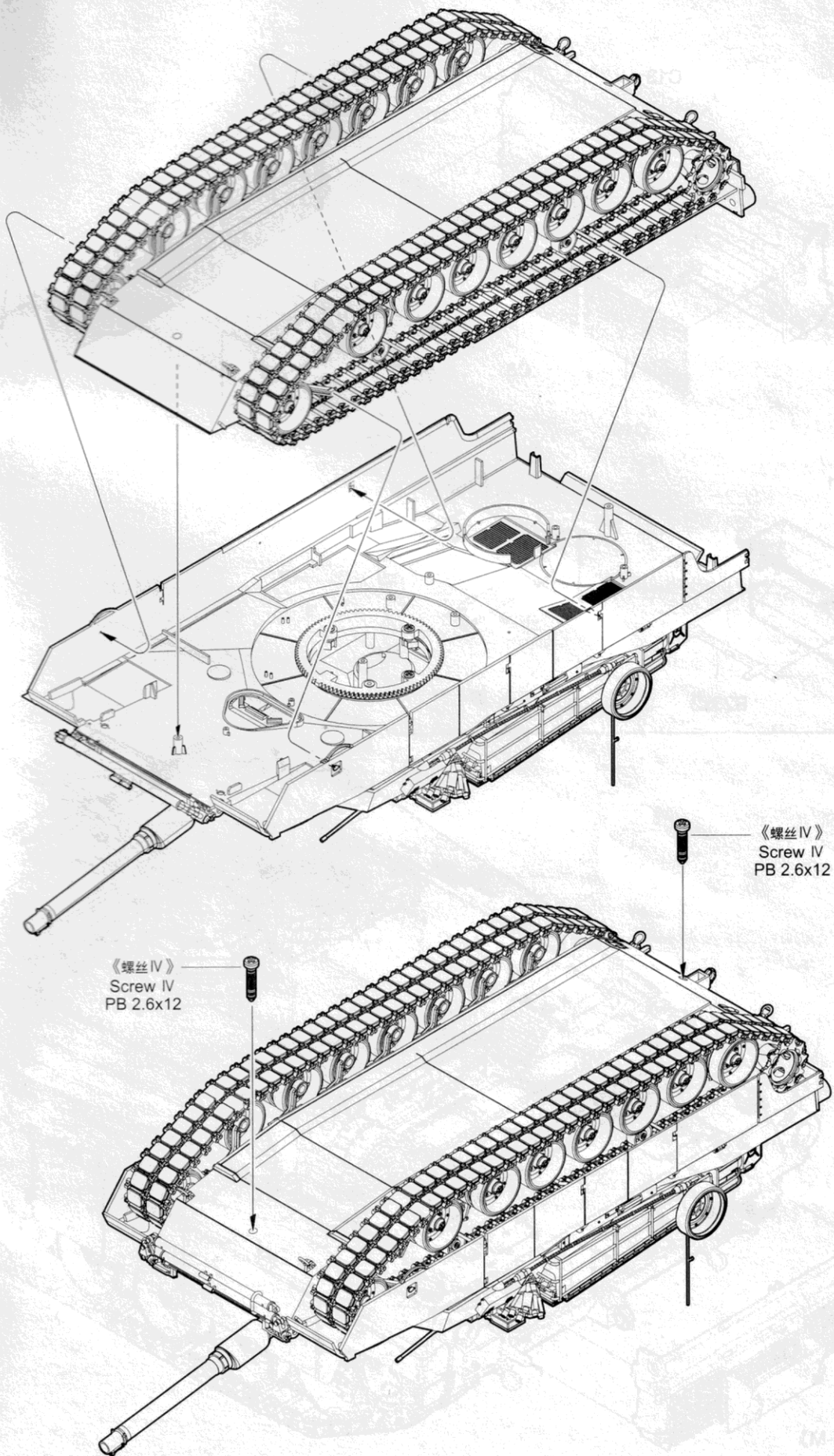
30



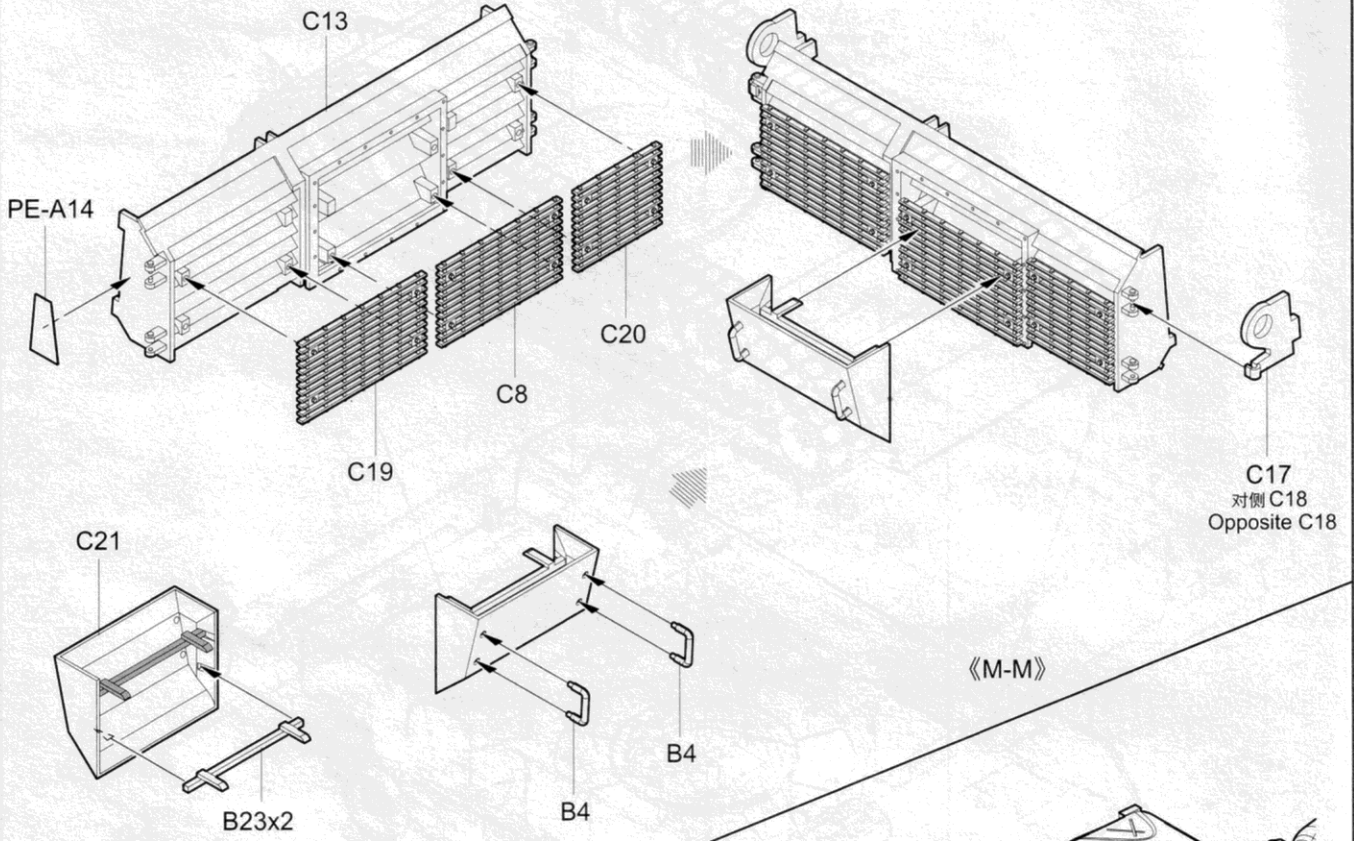
31



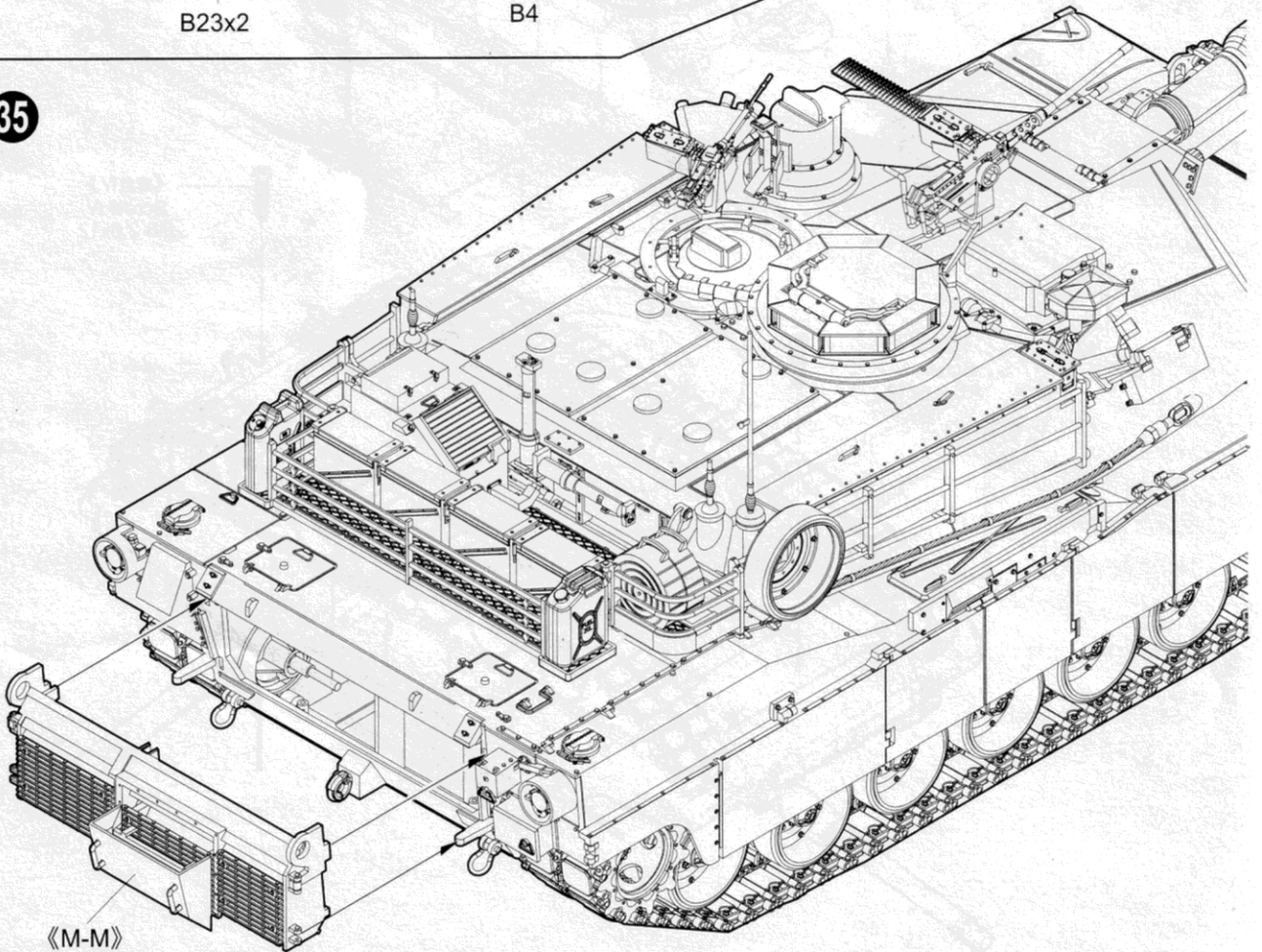




34



35



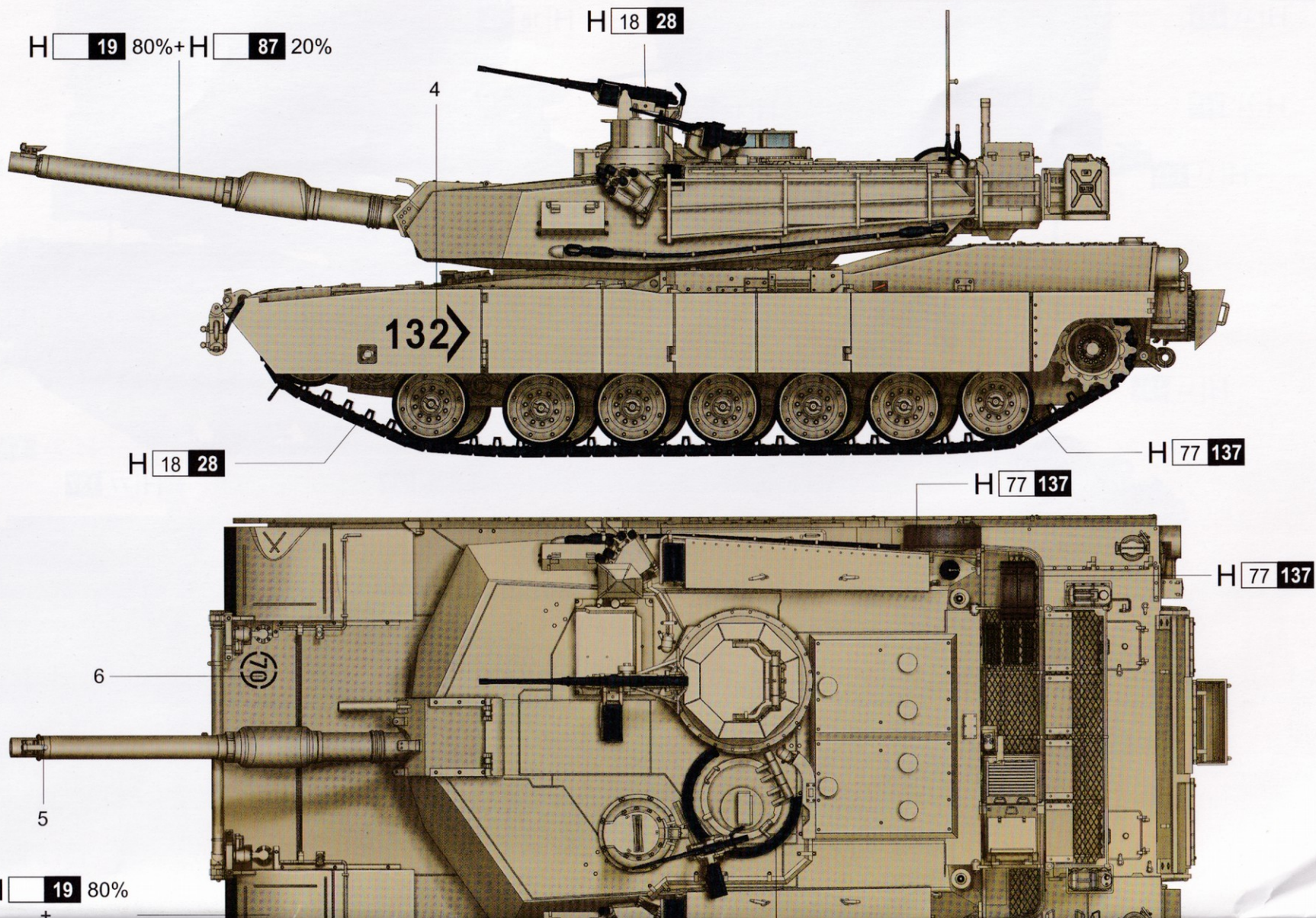
涂装同标贴指示

Painting & Marking guide

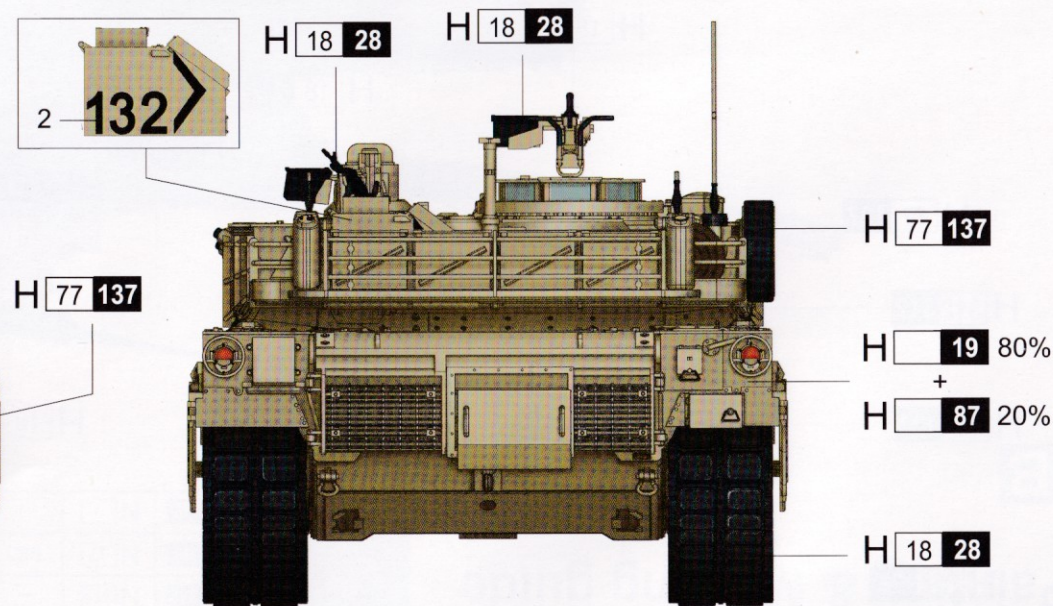
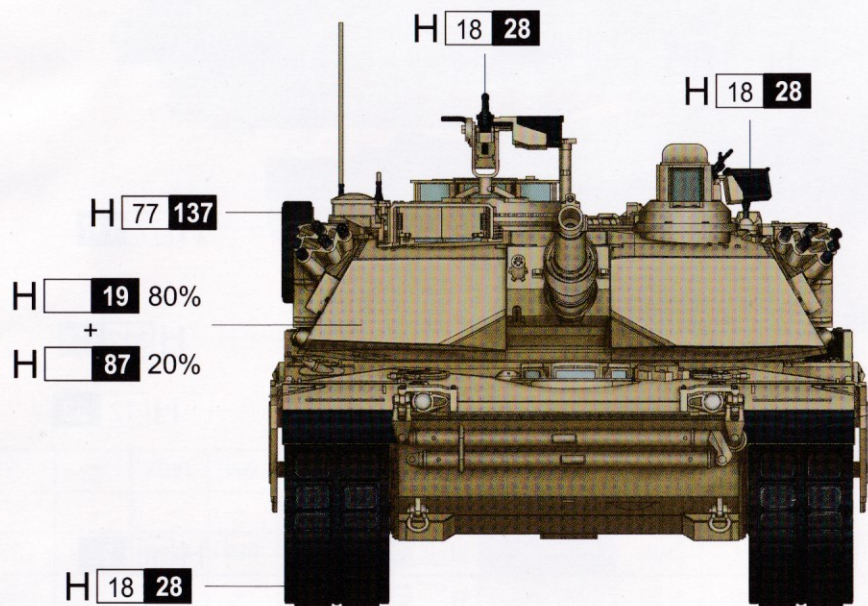
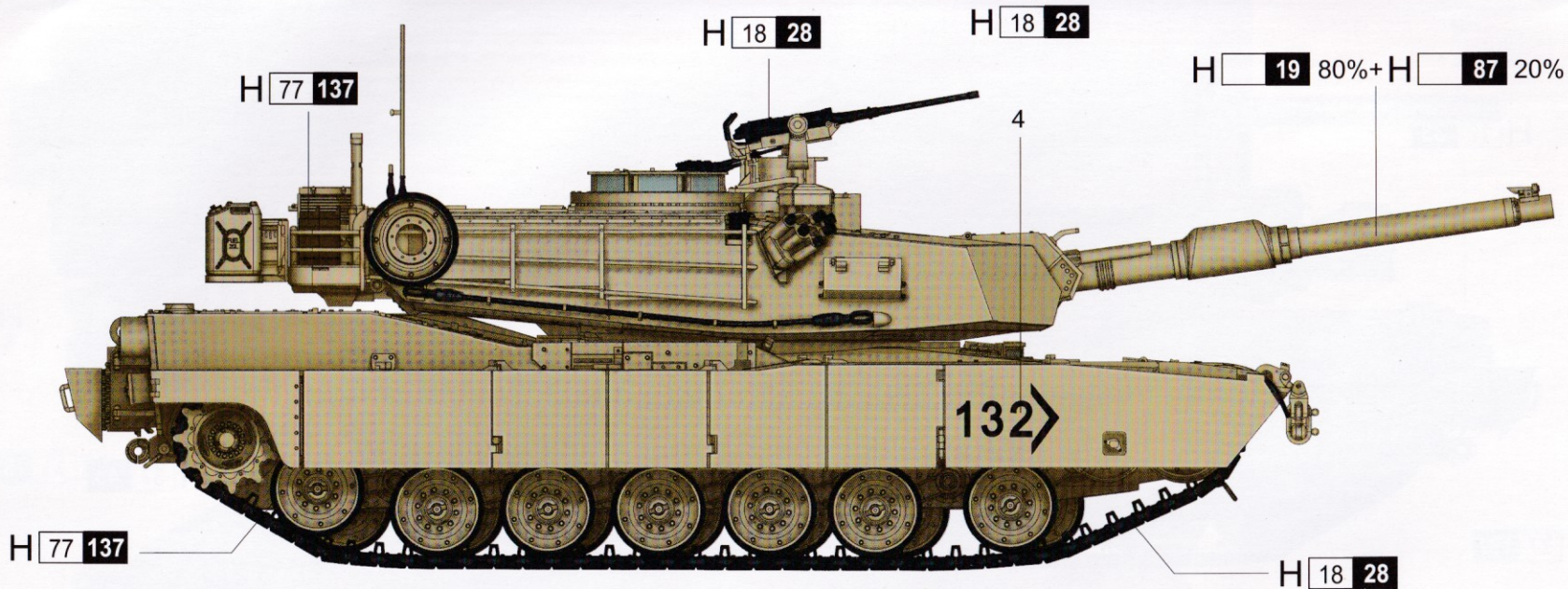
PAINT REFERENCE COLOR

Color	Mr.Hobby	Acrycion	Vallejo	Model Master	Tamiya	Humbrol	Color	Mr.Hobby	Acrycion	Vallejo	Model Master	Tamiya	Humbrol
Light Green 绿色	H 312 312	N 312	-	1716	-	120	浅奶油黄	H 87	N	-	-	-	-
Wood Brown 木棕色	H 37 43	N 37	983	1701	-	186	Flat Black 消光黑	H 12 33	N 12	950	1749	XF1	33
Sandy Brown 沙褐色	H 19	N	-	-	-	-	Tire Black 胎黑色	H 77 137	N 77	-	-	-	-
							Steel 黑铁色	H 18 28	N 18	864	1402	-	-

A



H 87 20%



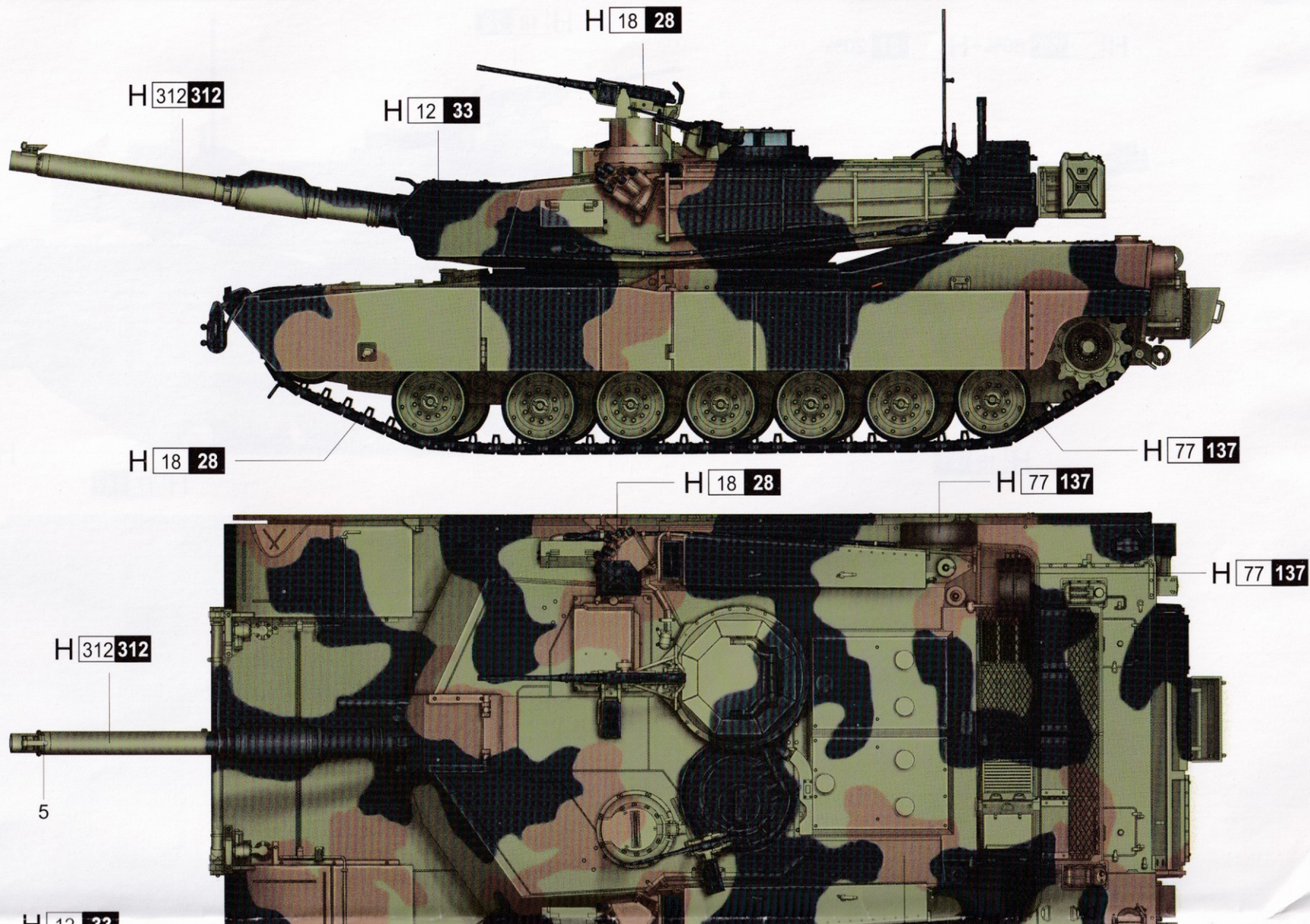
H AQUEOUS HOBBY COLOR Mr. COLOR
 N ACRYSION COLOR

涂装同标贴指示

Painting & Marking guide

B

PAINT REFERENCE COLOR													
Color	Mr.Hobby	Acrycion	Vallejo	Model Master	Tamiya	Humbrol	Color	Mr.Hobby	Acrycion	Vallejo	Model Master	Tamiya	Humbrol
Light Green 绿色	H 312 312	N 312	-	1716	-	120	浅奶油黄	H 87	N	-	-	-	-
Wood Brown 木棕色	H 37 43	N 37	983	1701	-	186	Flat Black 消光黑	H 12 33	N 12	950	1749	XF1	33
Sandy Brown 沙褐色	H 19	N	-	-	-	-	Tire Black 胎黑色	H 77 137	N 77	-	-	-	-
							Steel 黑铁色	H 18 28	N 18	864	1402	-	-



H 12 33

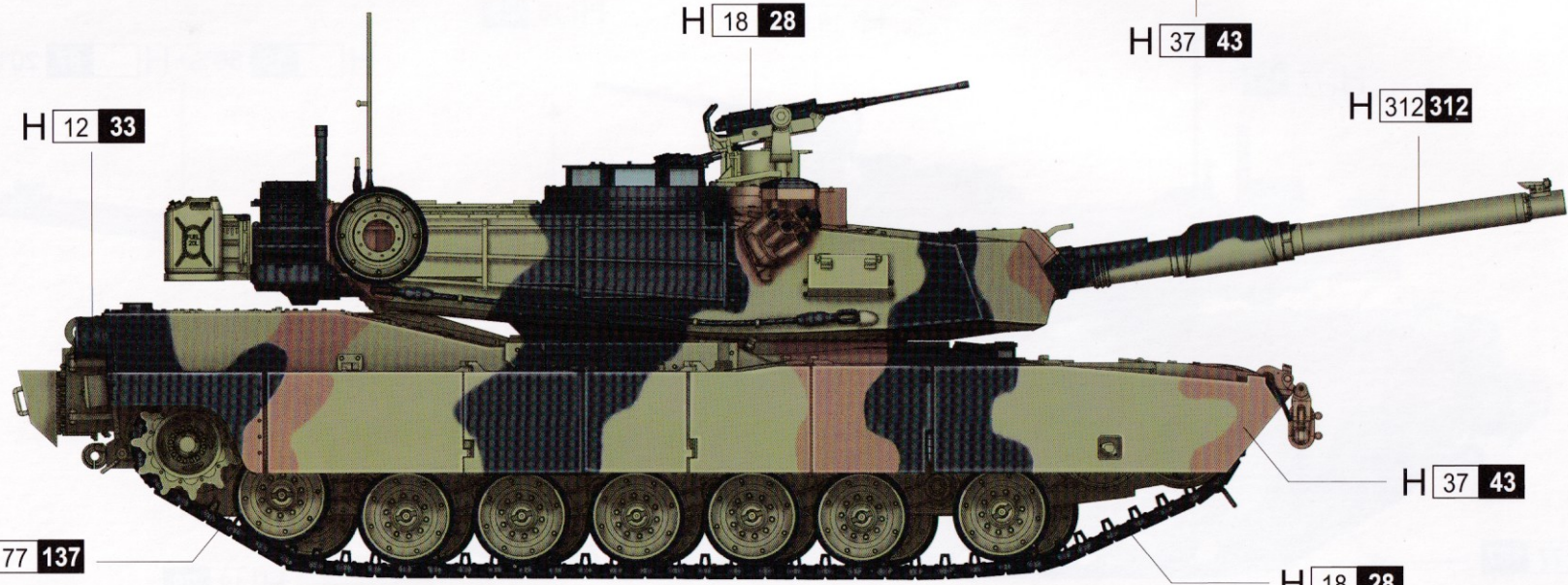


H 18 28

H 37 43

H 312 312

H 12 33



H 37 43

H 77 137

H 18 28

H 18 28

H 18 28

H 37 43

H 18 28

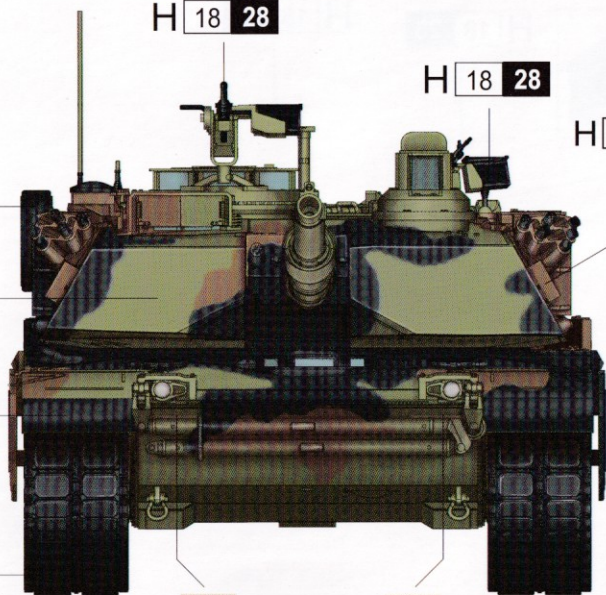
H 18 28

H 77 137

H 312 312

H 77 137

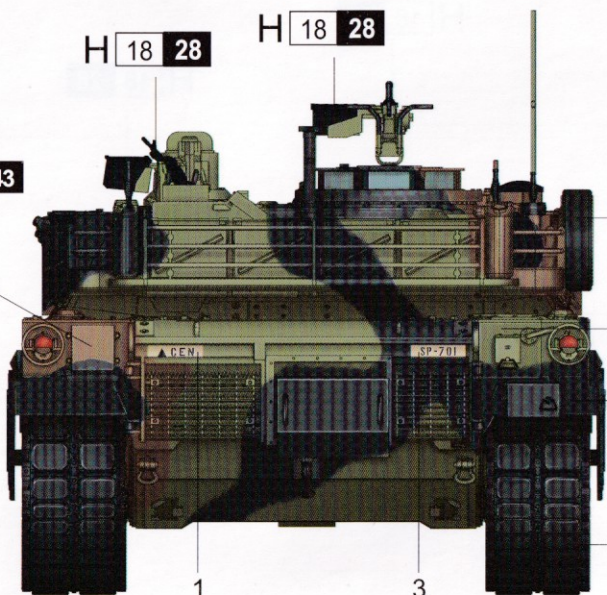
H 18 28



▲ GEN
1

SP-701
3

H 37 43



1

3

H 77 137

H 312 312

H 12 33

H 18 28

H AQUEOUS HOBBY COLOR Mr. COLOR
N ACRYSION COLOR