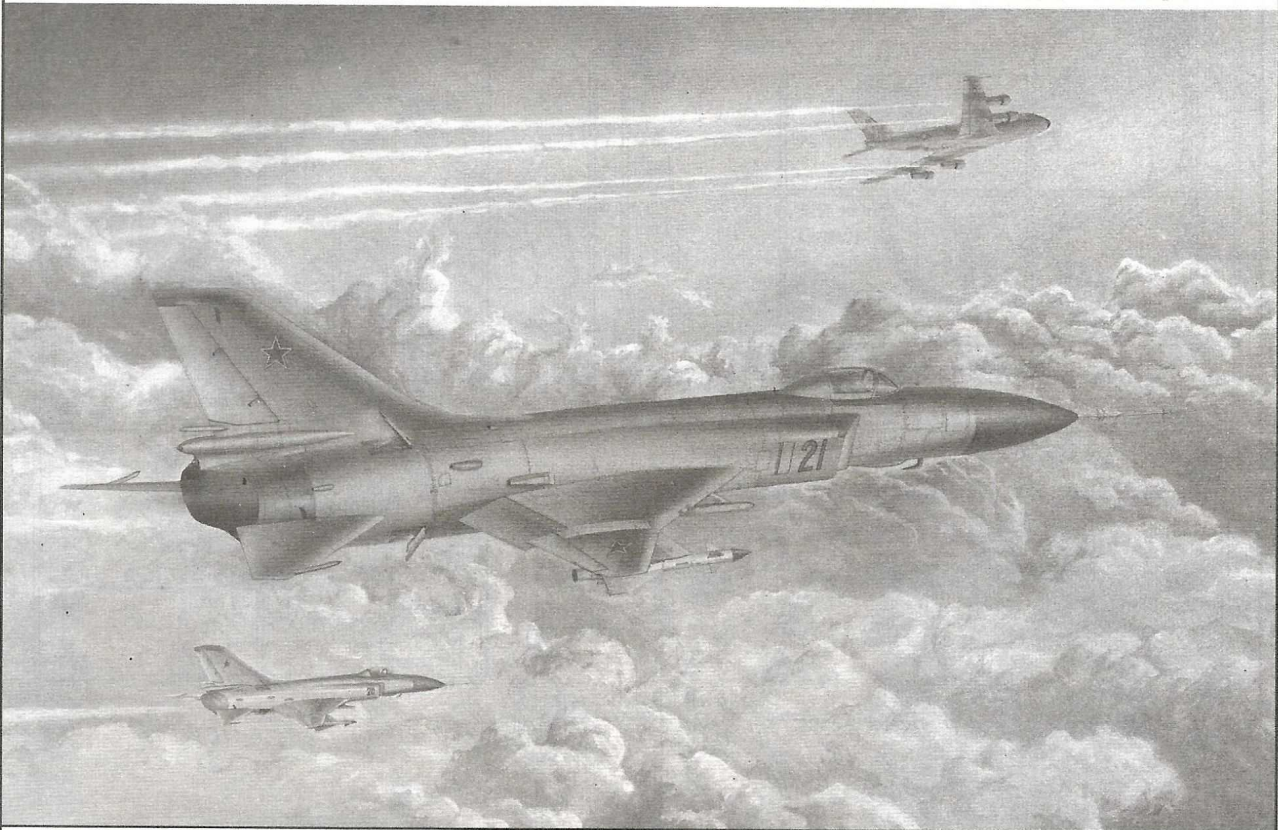


1:48 SCALE

Sukhoi Su-15 TM Flagon-F

苏-15 TM 细嘴瓶-F

颜色指示
COLOR

[1]-白色	White	[15]-浓绿	Ljn green	[41]-红棕色	Red brown
[2]-黑色	Black	[20]-浅兰色	Light blue	[55]-卡其色	Khaki
[3]-红色	Red	[21]-土黄色	Middle stone	[61]-烧铁色	Burnt iron
[6]-绿色	Green	[23]-墨绿色	Dark green		
[8]-银色	Silver	[33]-消光黑	Flat black		

cyanoacrylate glue
使用强力胶weight
配重make hole
钻孔cut / remove
切除bend
弯曲file / sand
锉平option
选择no cement
不涂胶水decal
贴纸

水贴纸的使用:

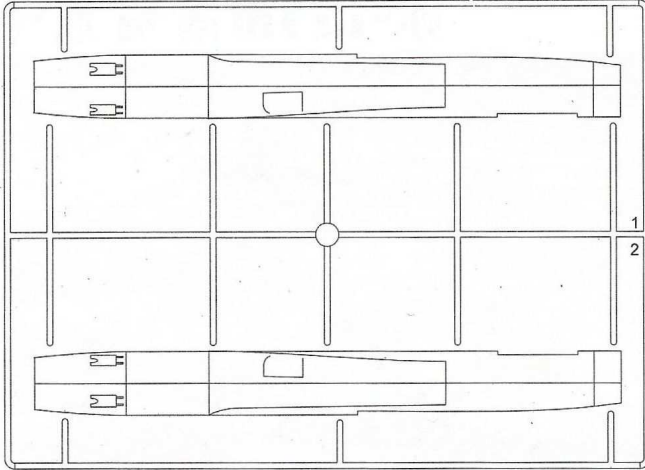
1. 从水贴纸上剪下印花;
2. 将印花放入温水中浸10秒, 然后放在干净布上。
3. 拿着印花纸板将印花移到模型上;
4. 手指蘸水将印花移到适当的位置;
5. 用软布轻压印花直至水干, 气泡消失。

DECAL APPLICATION

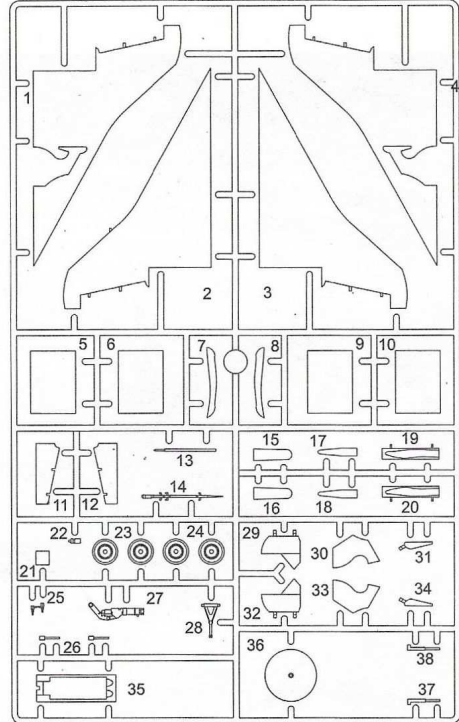
1. Cut off decal from sheet.
2. Dip the decal in tepid water 40°C for about 10 sec. and place on a clean cloth.
3. Hold the backing sheet edge and slide decal onto the model.
4. Move decal into position by wetting decal with finger.
5. Press decal gently down with a soft cloth until excess water and air bubbles are gone.

部品图 Parts

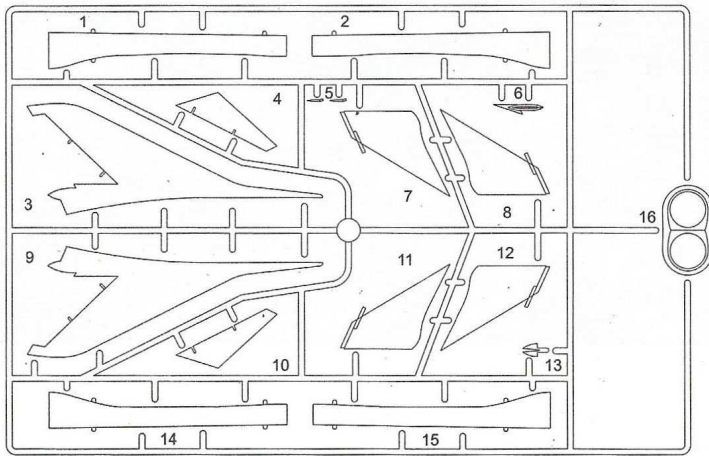
A



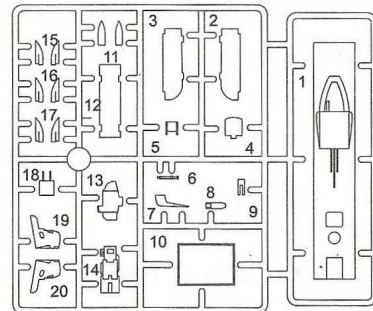
B



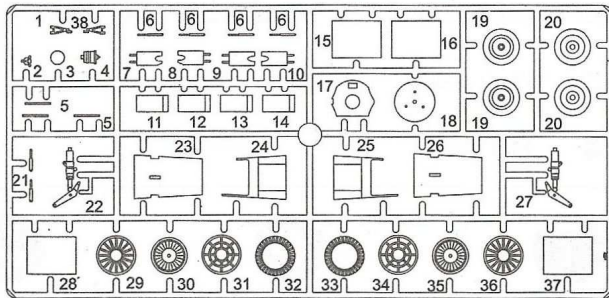
C



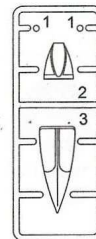
E



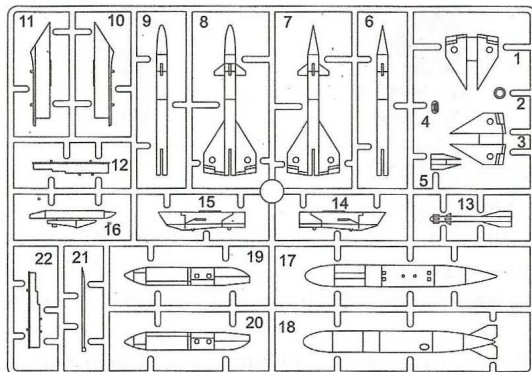
D



G

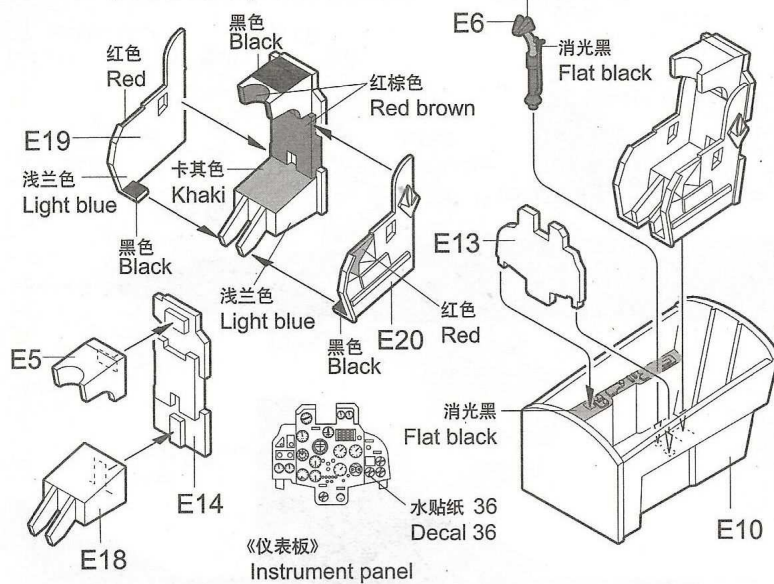


FX2

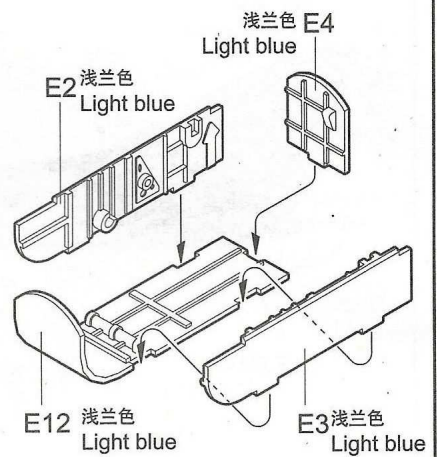


水贴纸 × 1
Decal × 1

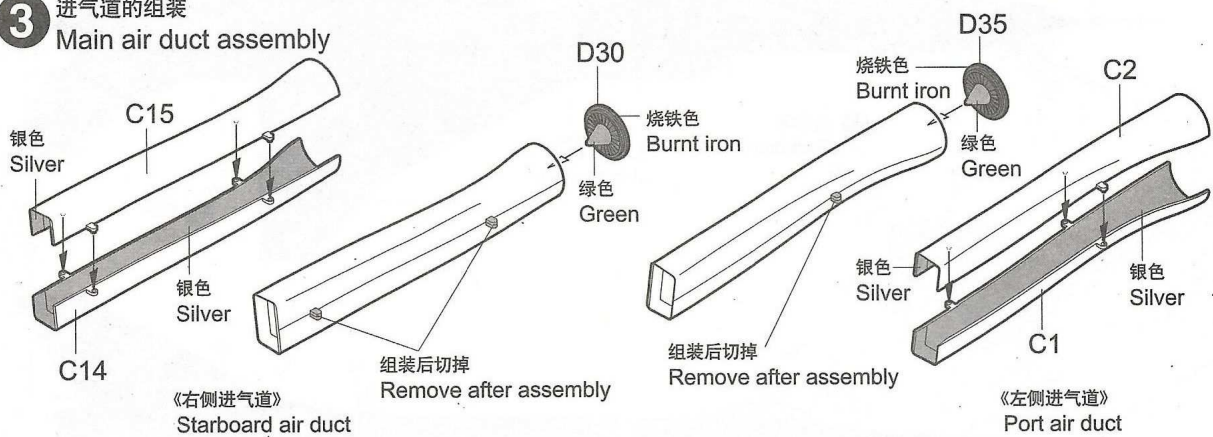
1 座舱的组装 Cockpit assembly



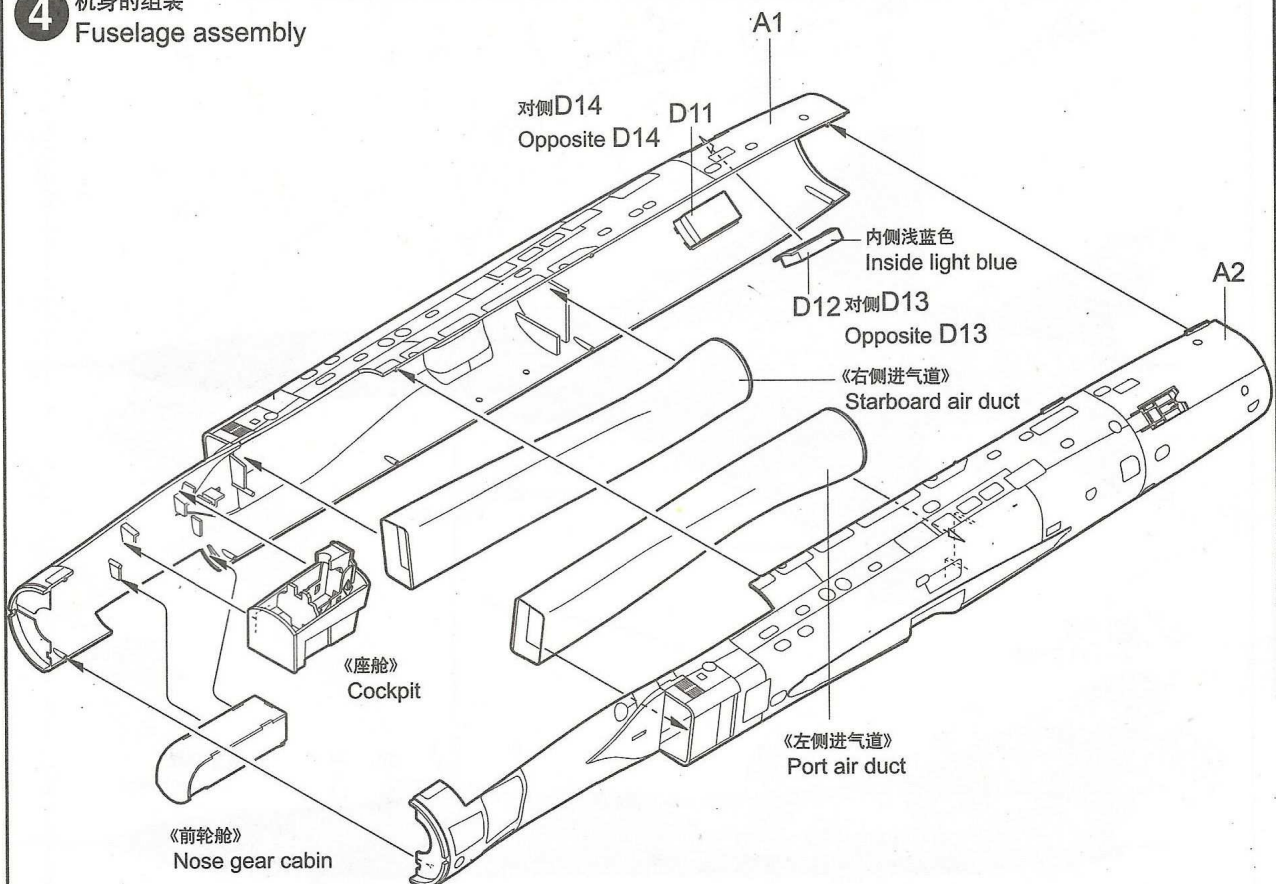
2 前轮舱的组装 Nose gear cabin assembly



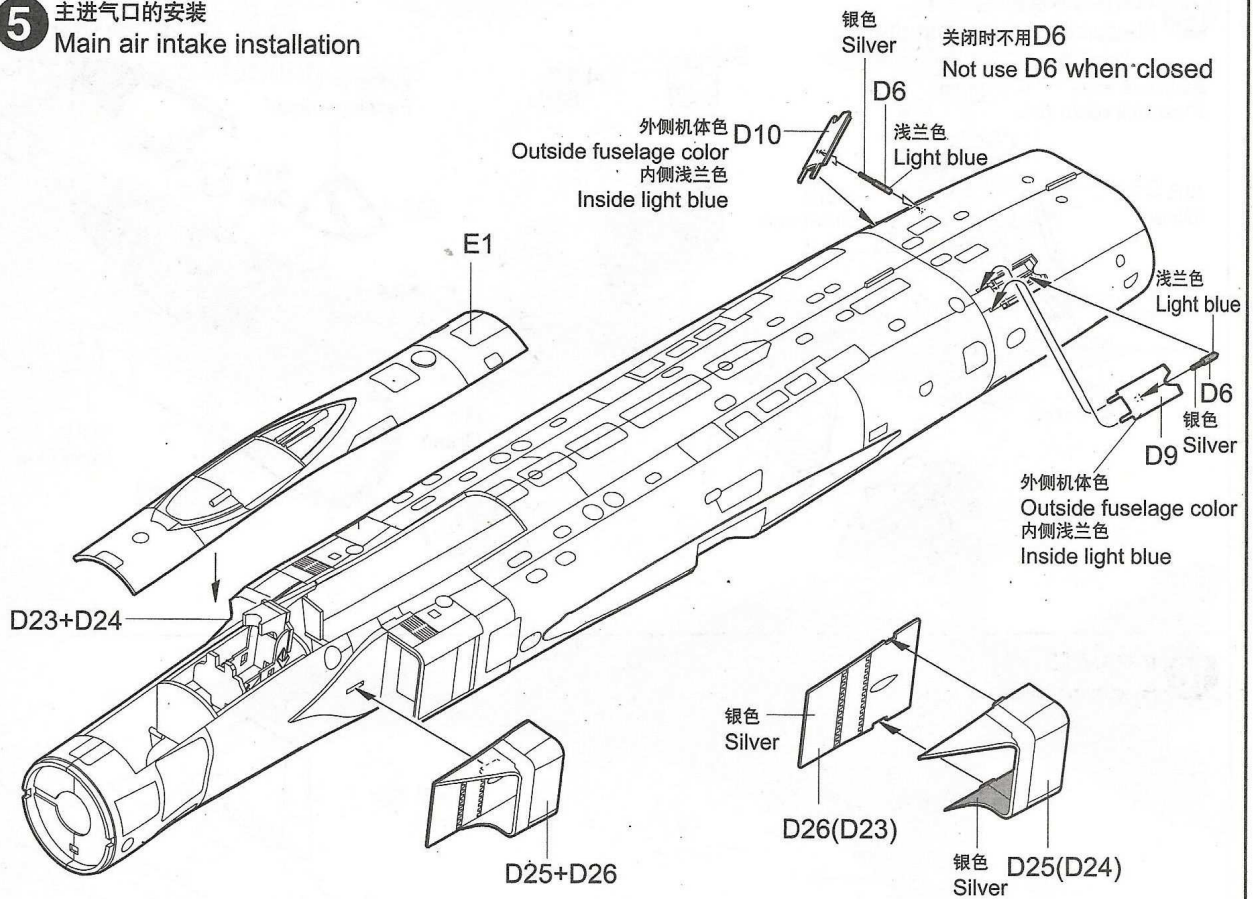
3 进气道的组装 Main air duct assembly



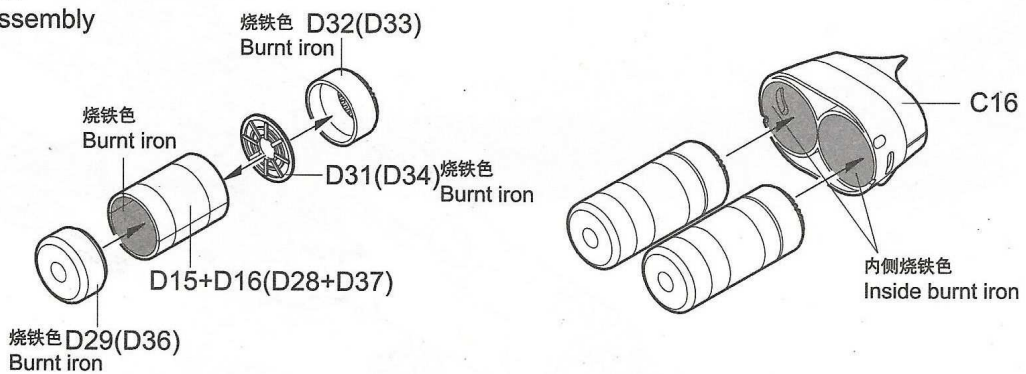
4 机身的组装 Fuselage assembly



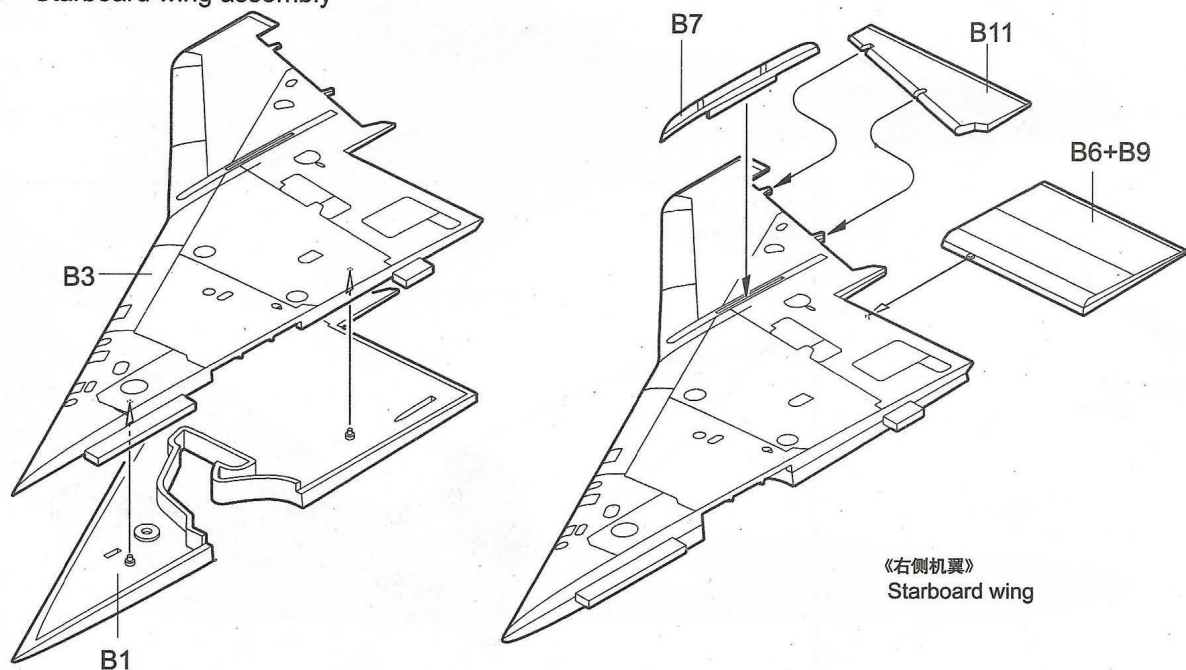
5 主进气口的安装
Main air intake installation



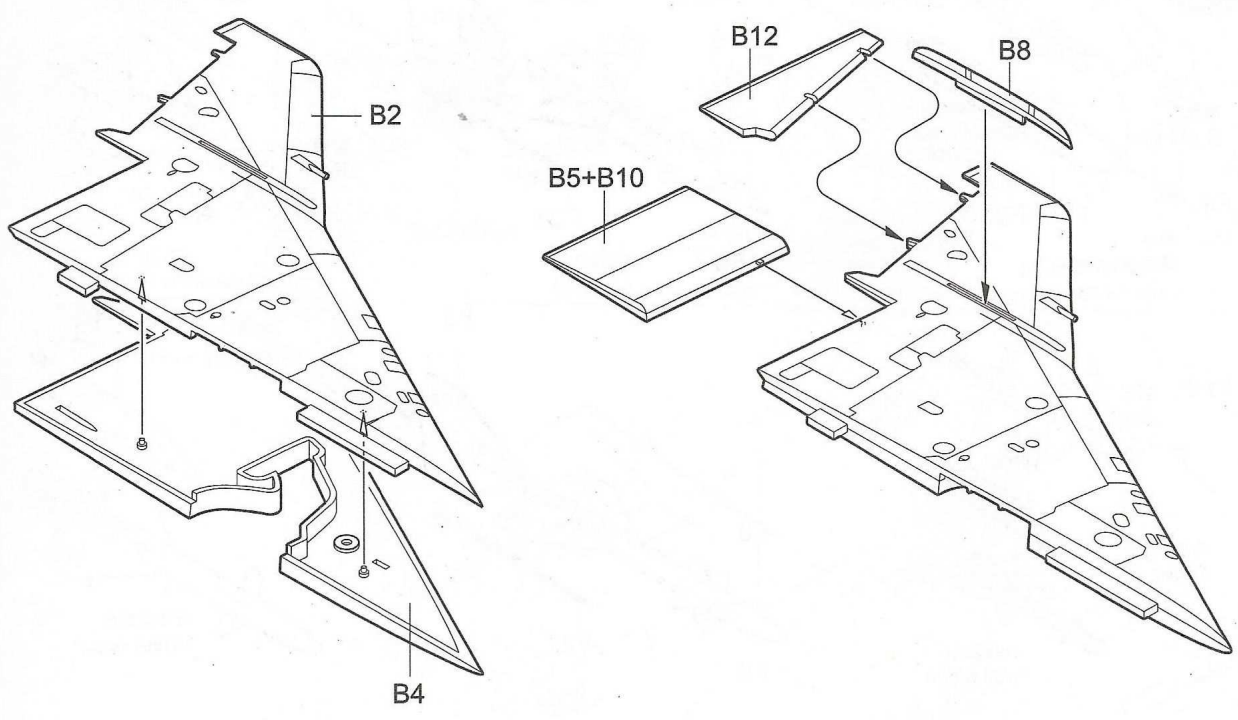
6 发动机的组装
Engine assembly



7 右侧机翼的组装
Starboard wing assembly

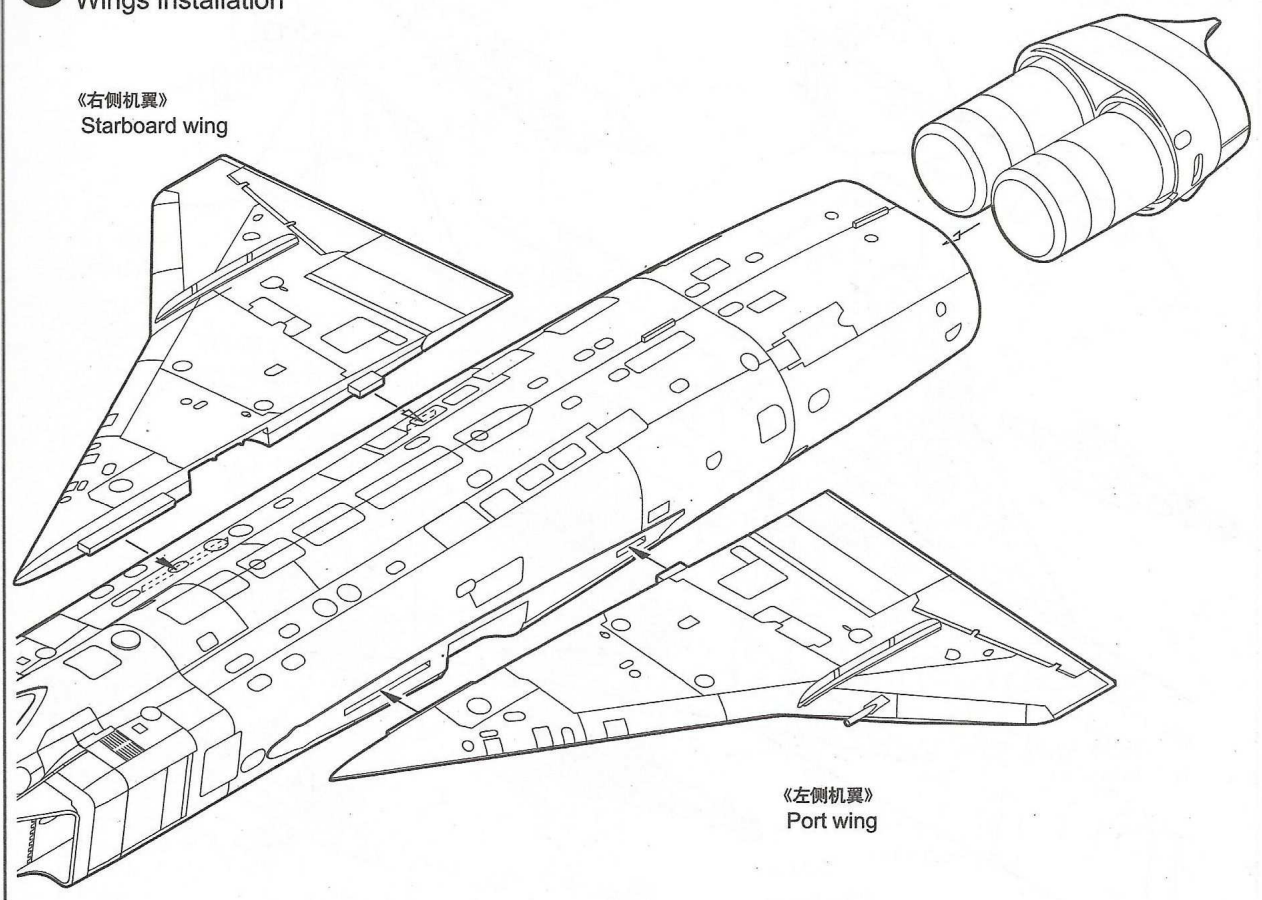


8 左侧机翼的组装
Port wing assembly



《左侧机翼》
Port wing

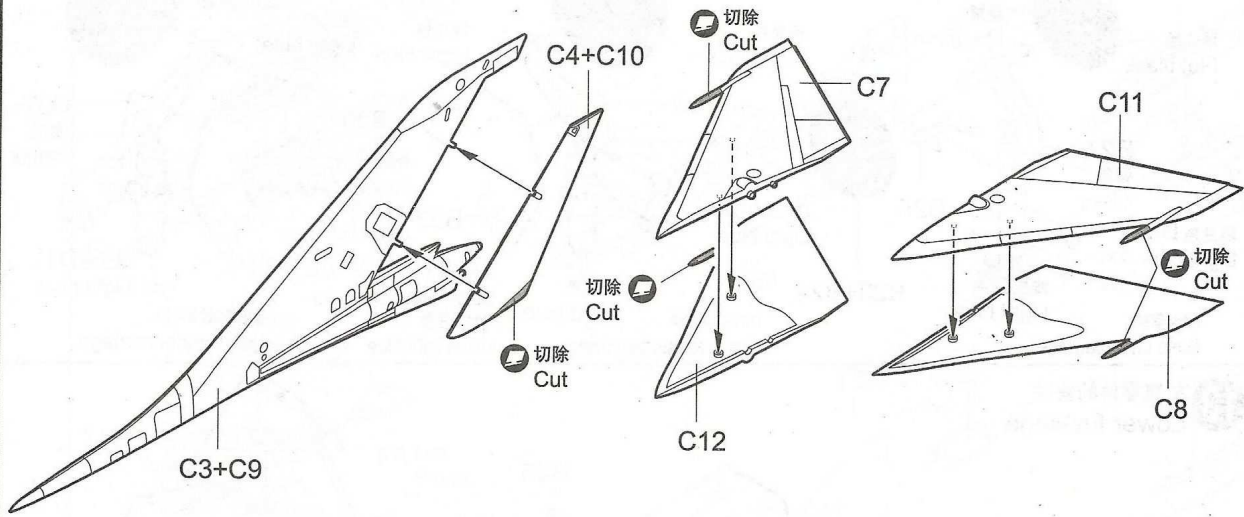
9 机翼的安装
Wings installation



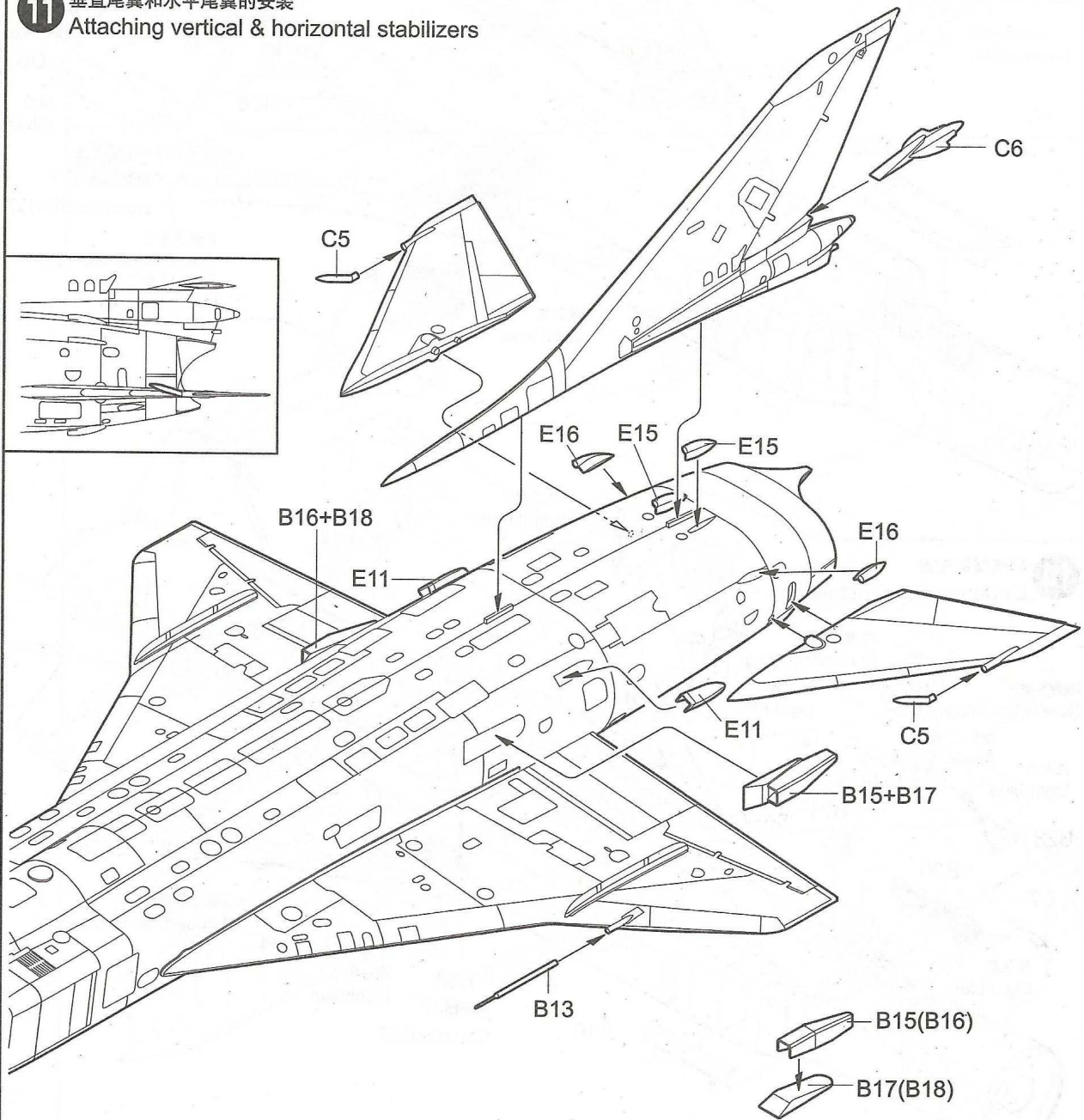
《右侧机翼》
Starboard wing

《左侧机翼》
Port wing

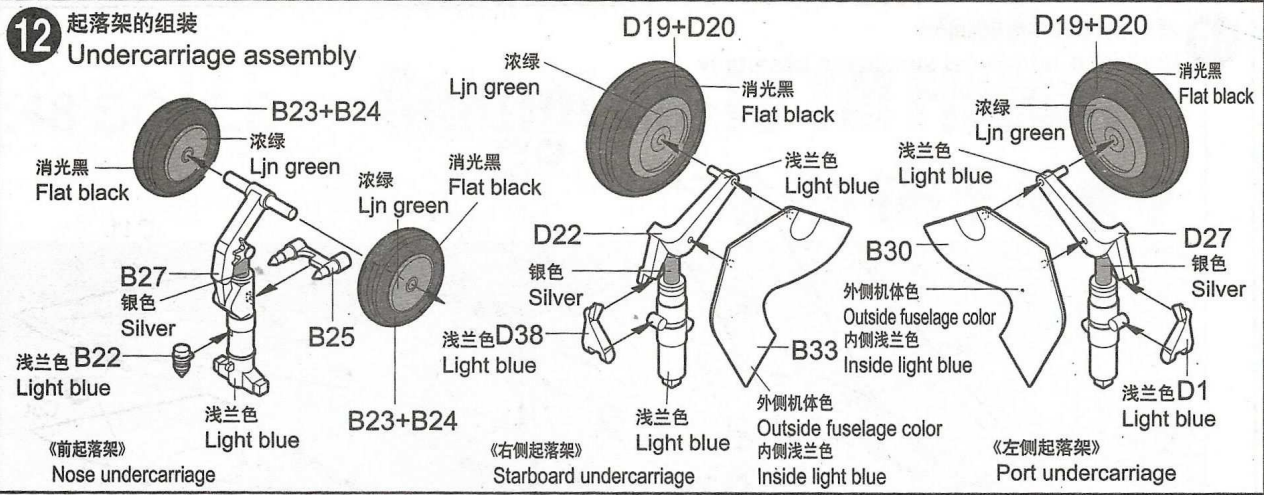
10 垂直尾翼和水平尾翼的组裝
Vertical & horizontal stabilizers assembly



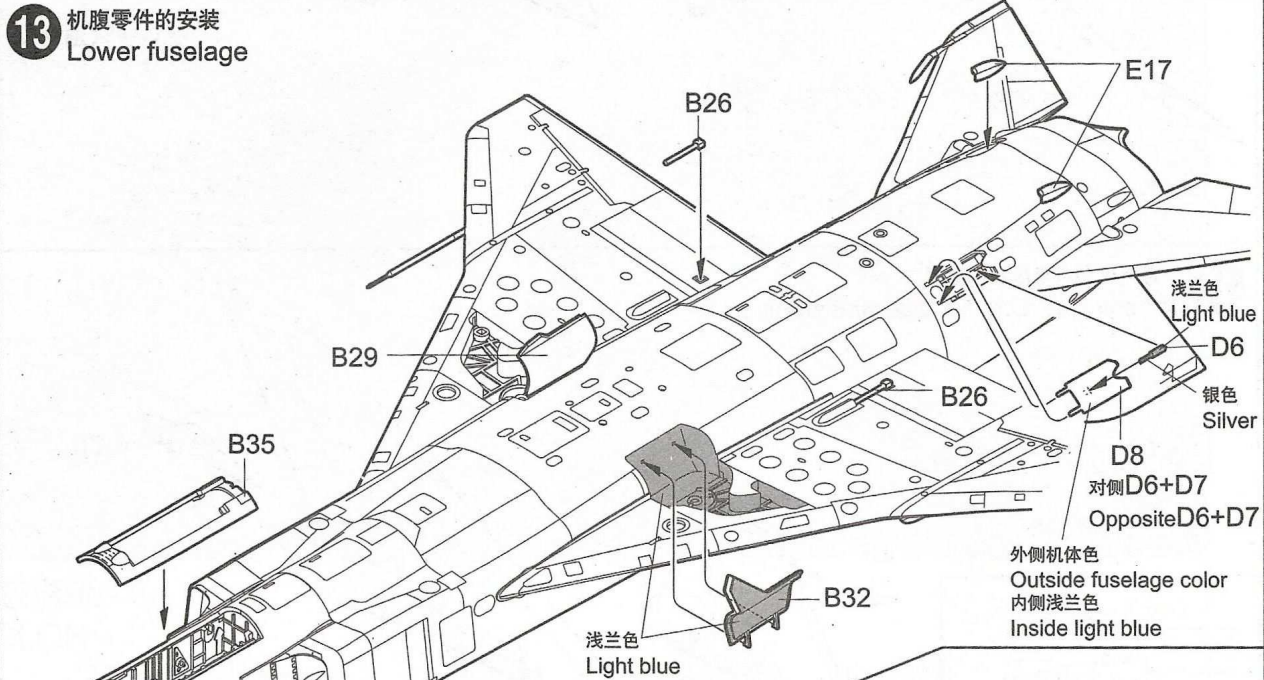
11 垂直尾翼和水平尾翼的安裝
Attaching vertical & horizontal stabilizers



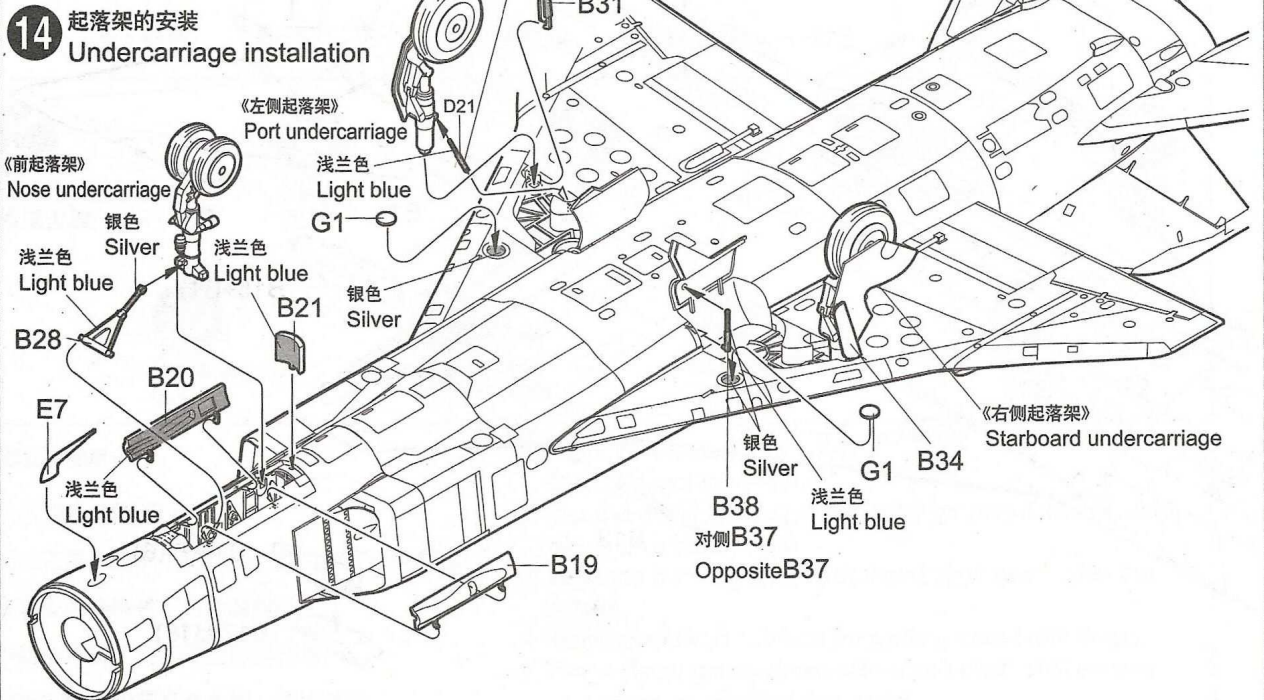
12 起落架的组装
Undercarriage assembly



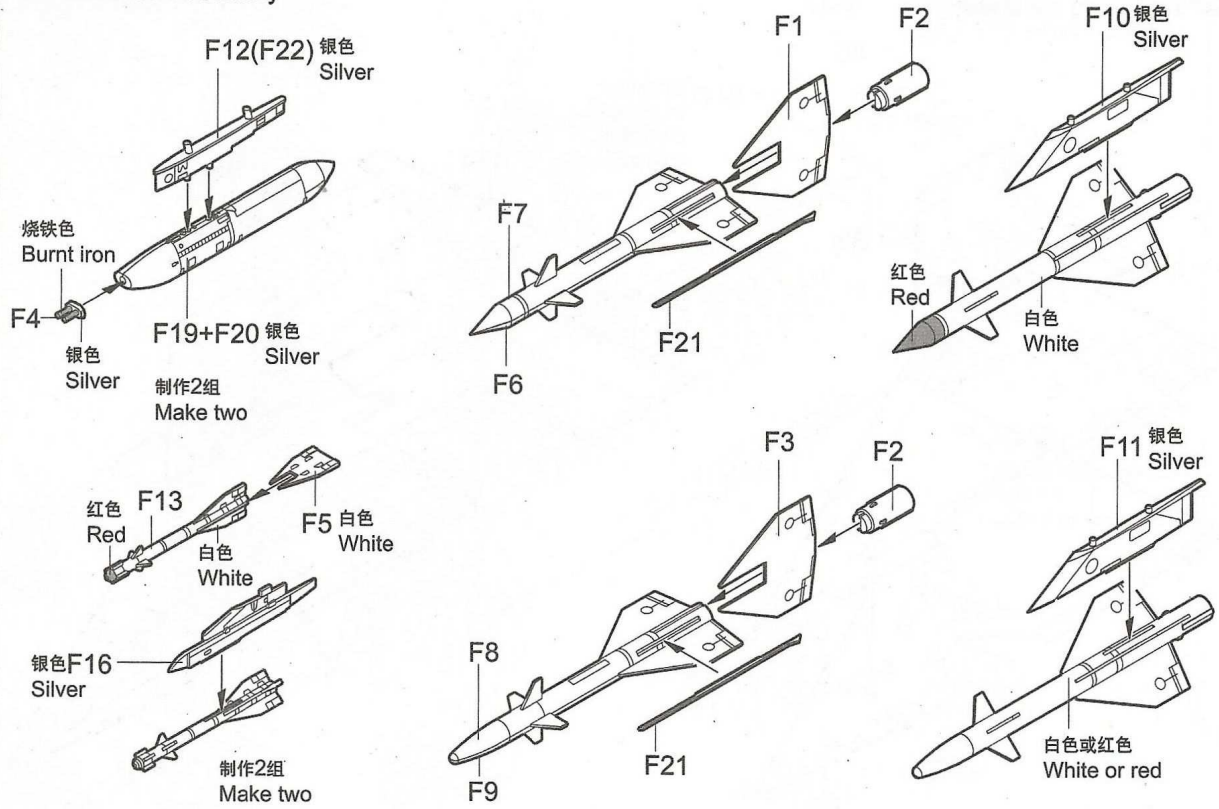
13 机腹零件的安装
Lower fuselage



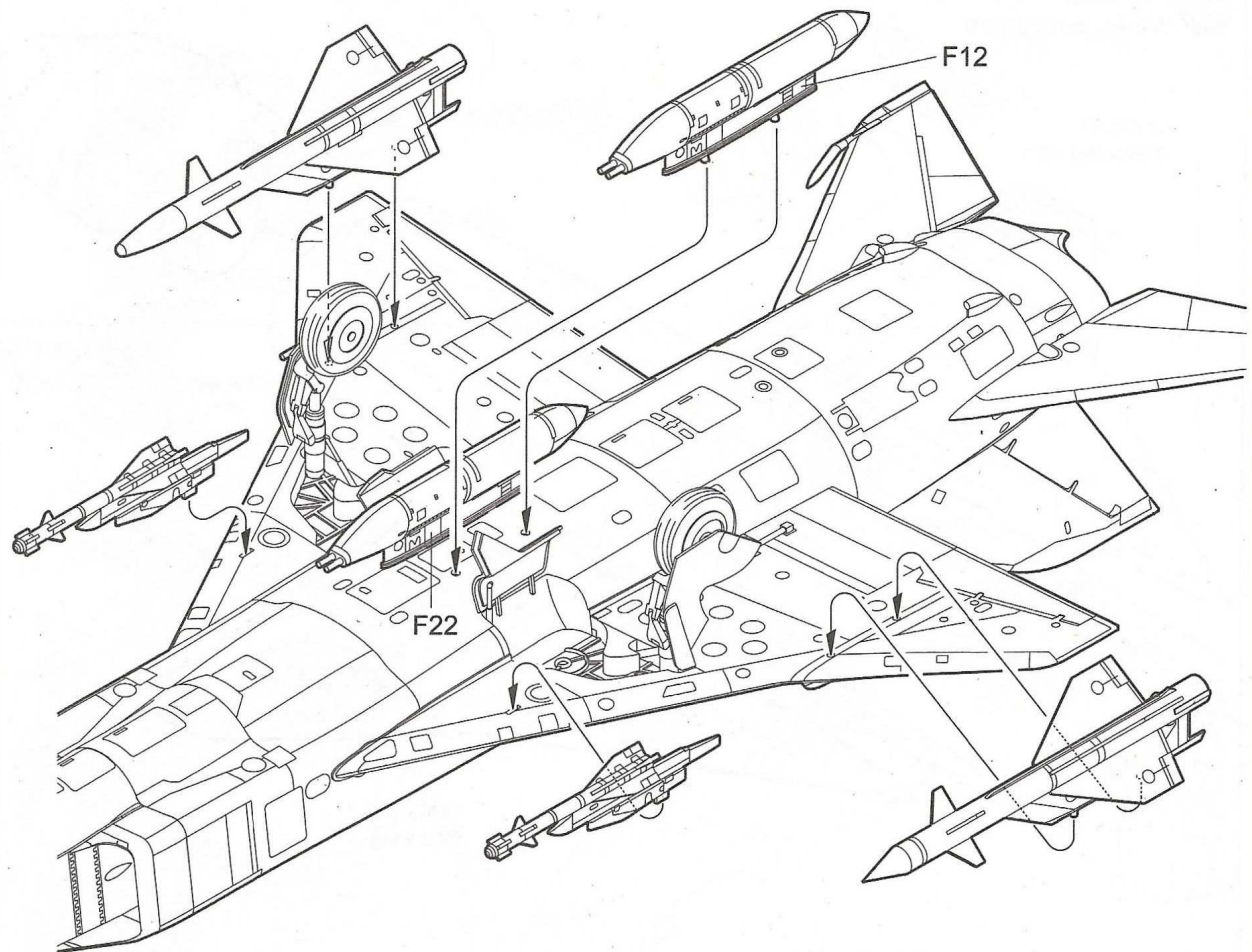
14 起落架的安装
Undercarriage installation



15 挂弹的组装
Missiles assembly

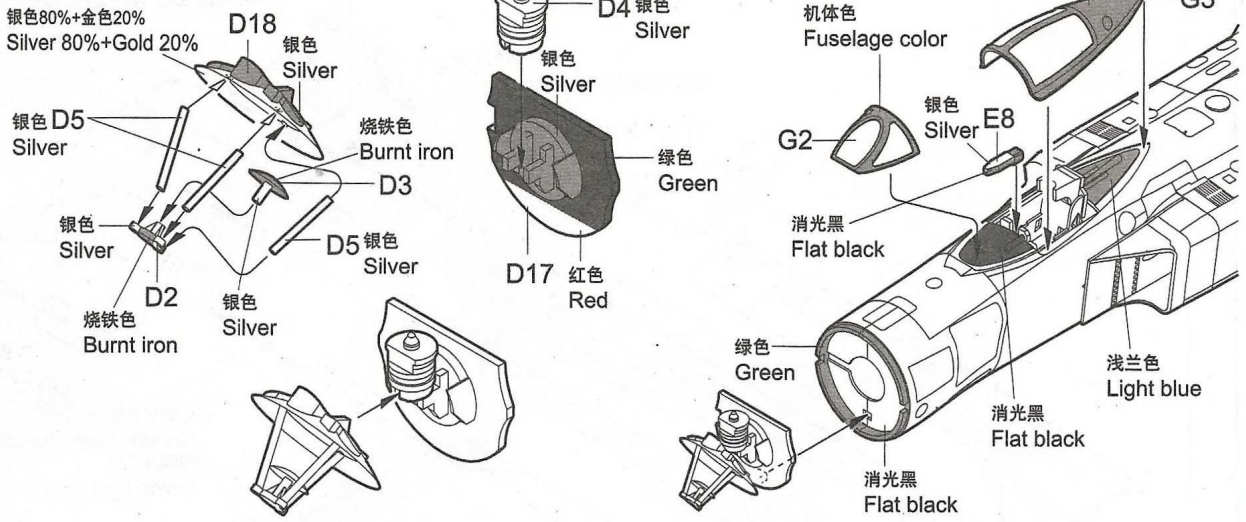


16 挂弹的安装
Missiles installation

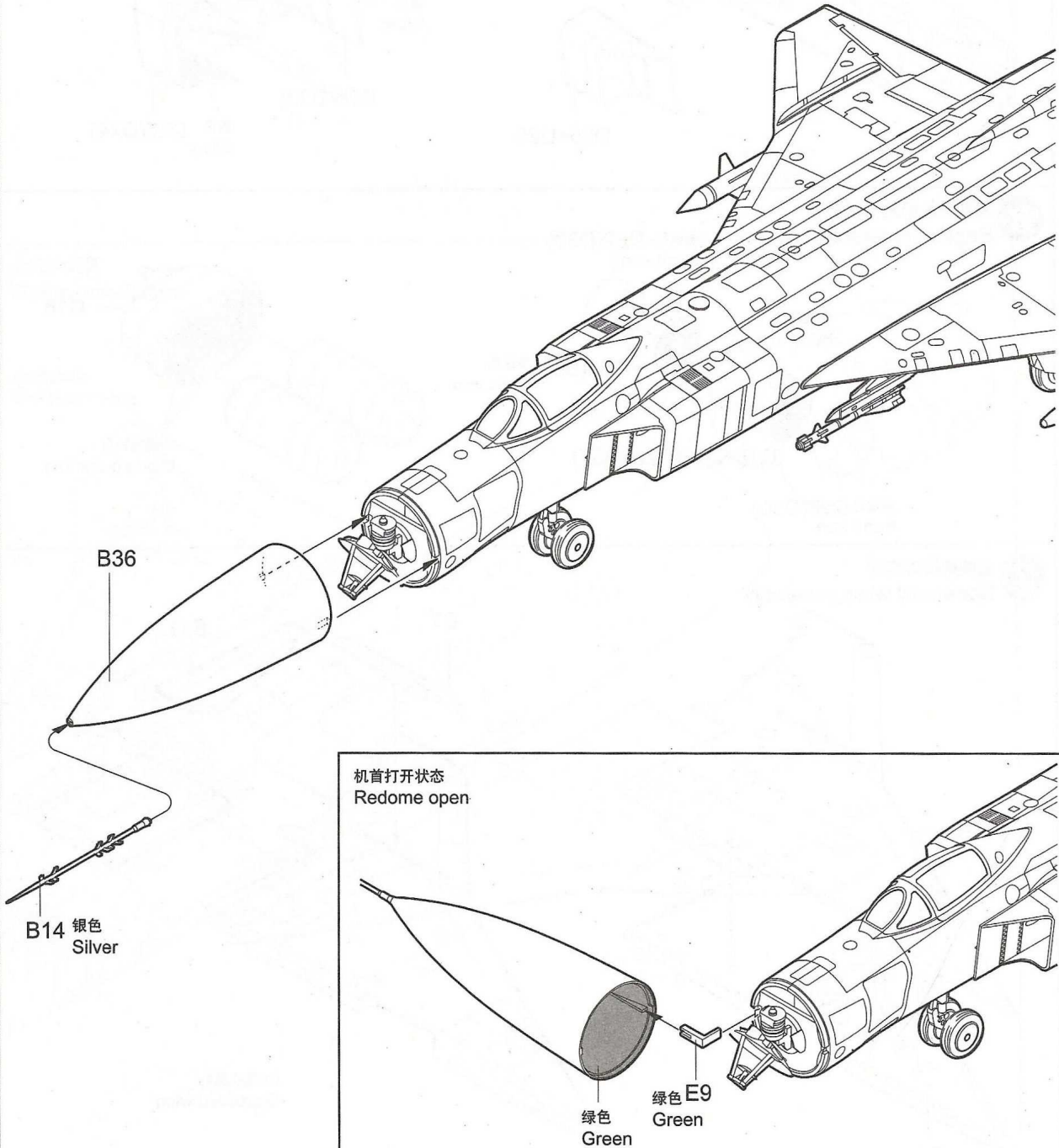


17 机首雷达及座舱罩的安装
Radar & canopy installation

银色80%+金色20%
Silver 80%+Gold 20%



18 机首的安装
Redome installation



涂装同标贴指示 Painting & Marking guide

郡仕色使用

Gunze Mr. color used

