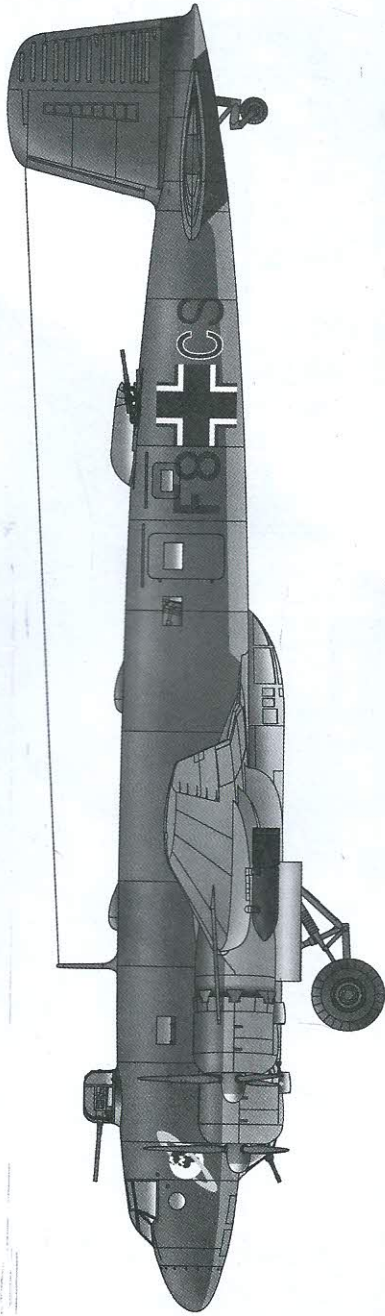


1/48 SCALE

ITEM NO.:02814



# FW200C-4 CONDOR

## FW200C-4 “秃鹰”

### READ BEFORE ASSEMBLY:

- This kit is not recommended for inexperienced modelers or for children under 14 years of age
- Study and understand these instructions thoroughly before beginning assembly
- When needed, remove photo-etch parts carefully using a modeling knife or photo etch sprue cutter, being careful not to damage or lose small parts.
- Take extra care in handling photo etch parts in order to avoid injury
- Apply instant cement sparingly to photo etch parts where instructed

### 装配之前仔细阅读

- 小心用模型锉刀锉平所有零件表面的注射浇口。
- 小心用刀片切下蚀刻片零件，不要遗失小零件。
- 用强力快干胶水粘合蚀刻片零件和金属轴。过量的快干胶水使用可能导致可动零件会粘住，小心涂胶。
- 取蚀刻片时应特别注意安全，防止利刃划伤手指。
- 某些零件表面需贴水上贴纸，请选择在装配的同时进行。
- 推荐模型工具（自备）：胶水，水口剪刀，长咀钳，刀片，镊子，锉刀，镊子钳，钻，剪刀，瞬间快干胶。
- 软布同砂纸同时使用也是必备工具。
- 请使用塑料胶水和油漆，模型内不含。
- 谨防小孩吸吮塑料零件，或者将塑料袋套在头上，制作时应将套材远离小孩接触。
- 本产品不适合14岁以下没有经验的模型爱好者。

- Tools recommended(not included in kit):Plastic and instant cements,sprue cutters,long nose pliers,modeling knife, small files, tweezers, pin vise & scissors. Soft cloth and sandpaper will also assist in construction
- Glue and paint are not included in the kit. Use plastic cement and hobby paints only. Color guide for purchasing paint is included in the kit.
- Keep out of reach of children. They must not be allowed to ingest small parts or handle plastic bags in any way.

### 水贴纸的使用:

1. 从水贴纸上剪下印花;
2. 将印花放入温水中浸10秒，然后放在干净布上。
3. 拿着印花纸将印花移到模型上;
4. 手指蘸水将印花移到适当的位置;
5. 用软布轻压印花直至水干，汽泡消失。

### DECAL APPLICATION:

1. Cut decals from sheet as needed
2. Dip the decal in warm water for about 10 seconds and then place on soft clean cloth.
3. Hold the decal backing sheet edge and gently slide the decal onto the model in its proper position.
4. While still wet,decal can be adjusted for better fit on model by dampening it gently with your finger.
5. When placed in the proper position,gently press decal down with a soft cloth until excess water and air bubbles are gone.
6. Allow decal to dry completely before handling model



使用强力胶



配重



钻孔



切除



贴纸



锉平



选择



不涂胶水



弯曲

File / Sand

Option

No cement

Bend

Cyanoacrylate glue Weight

Make hole

Cut / Remove

Decal

File / Sand

Option

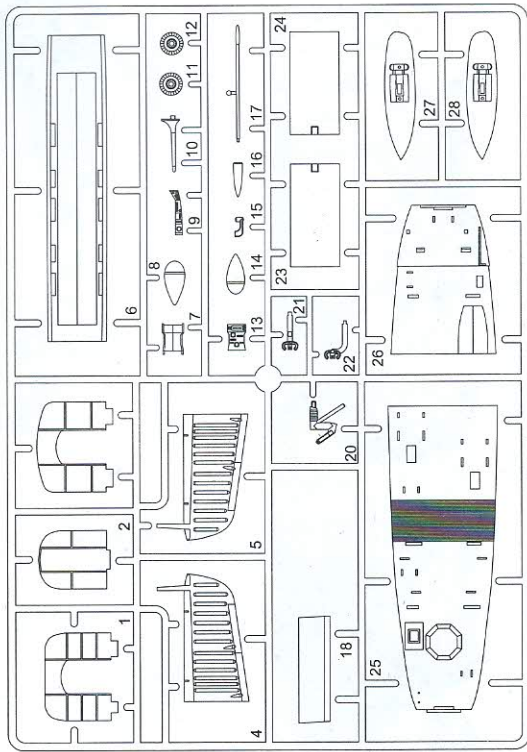
No cement

Bend

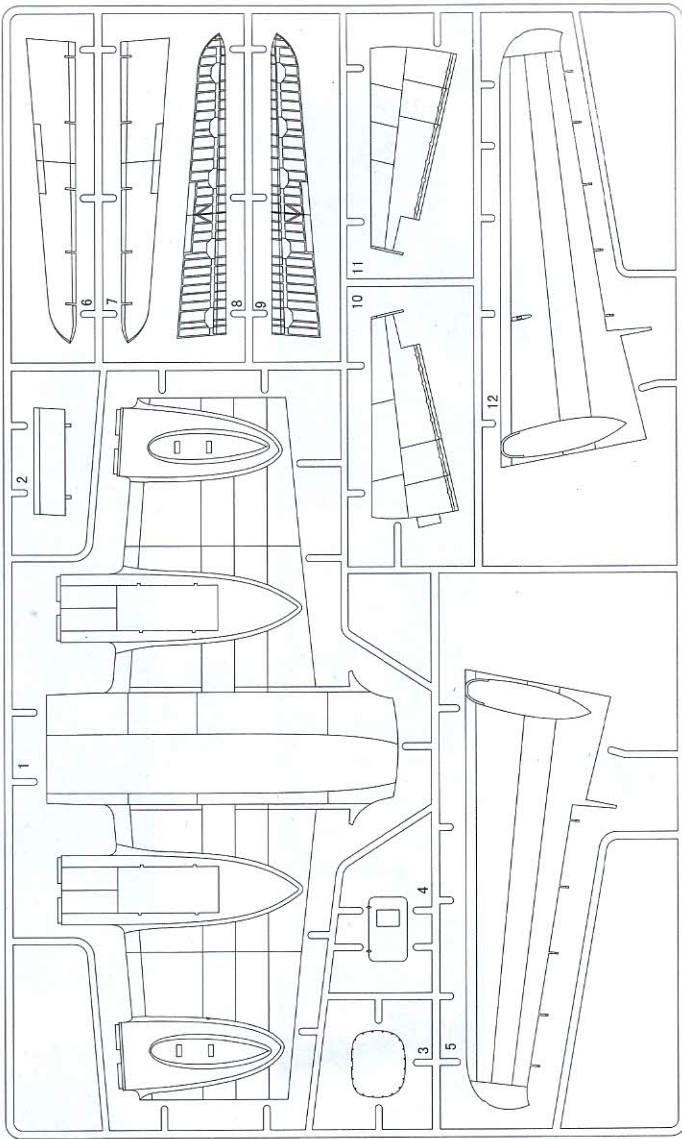
02814

部品图  
Parts

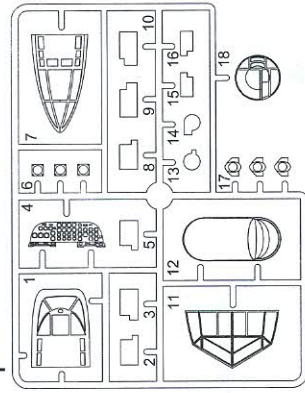
A



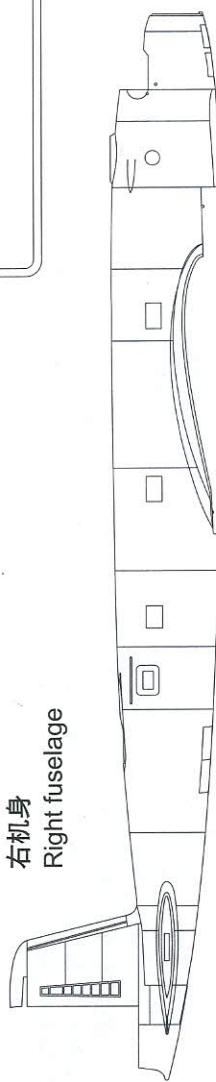
B



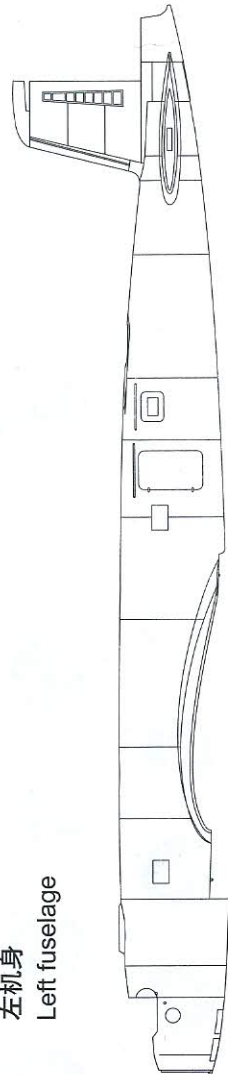
F



右机身  
Right fuselage

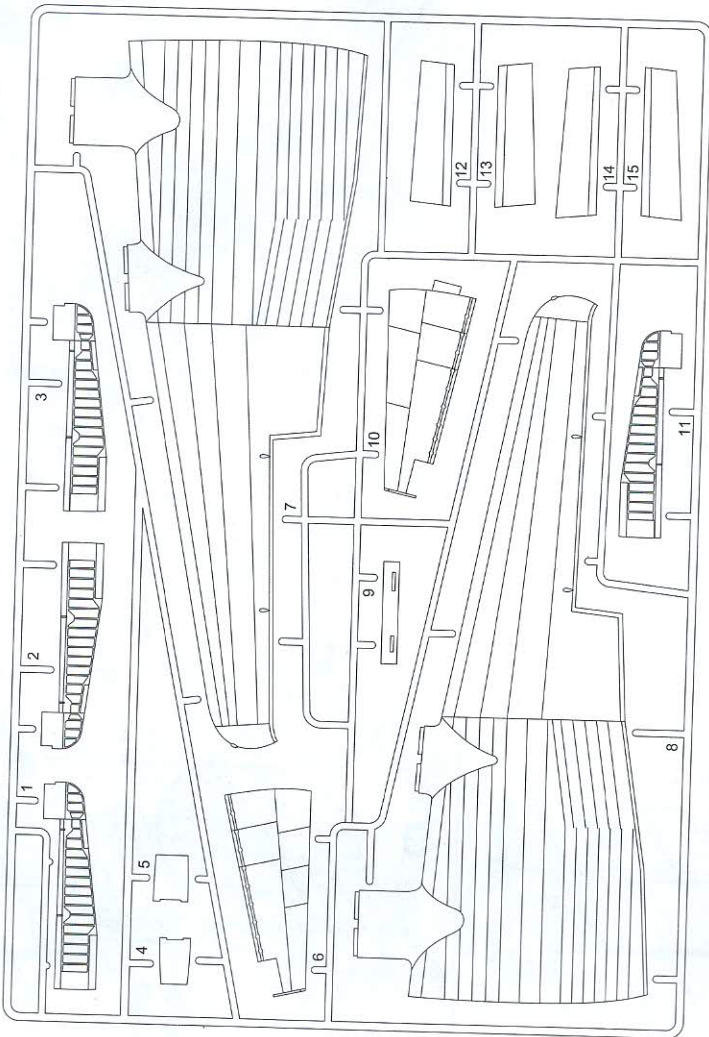


左机身  
Left fuselage

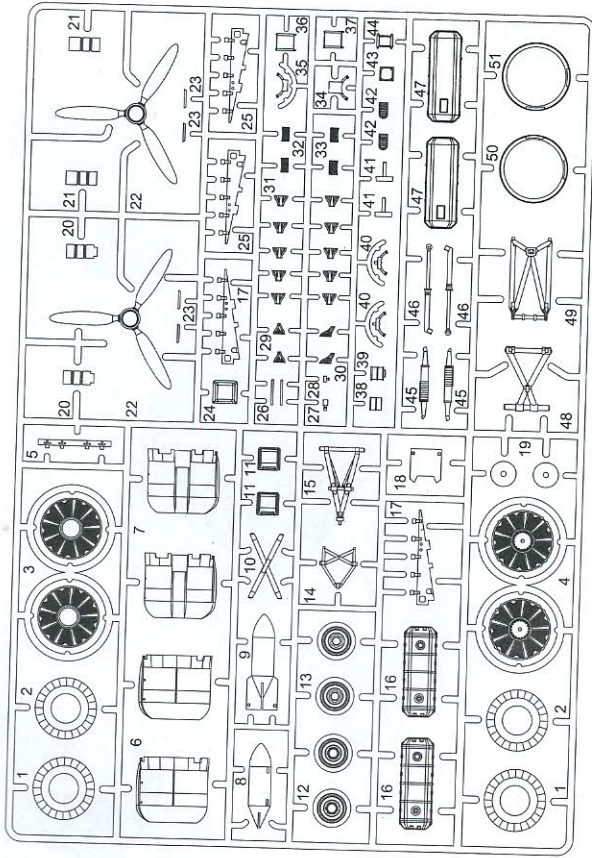


部品图  
Parts

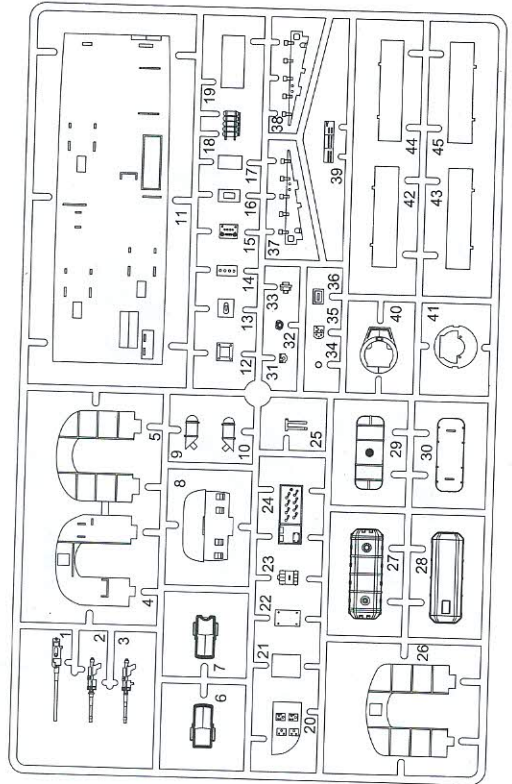
C



D x 2



E



水贴纸  
Decal

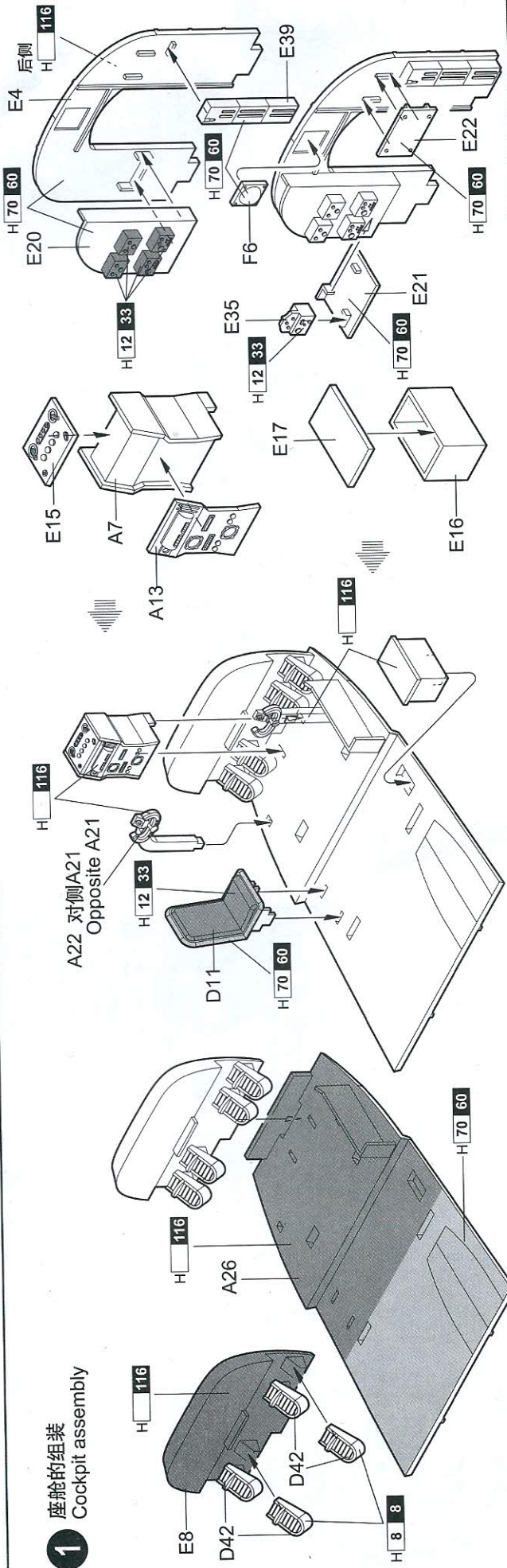


菲林片  
Film

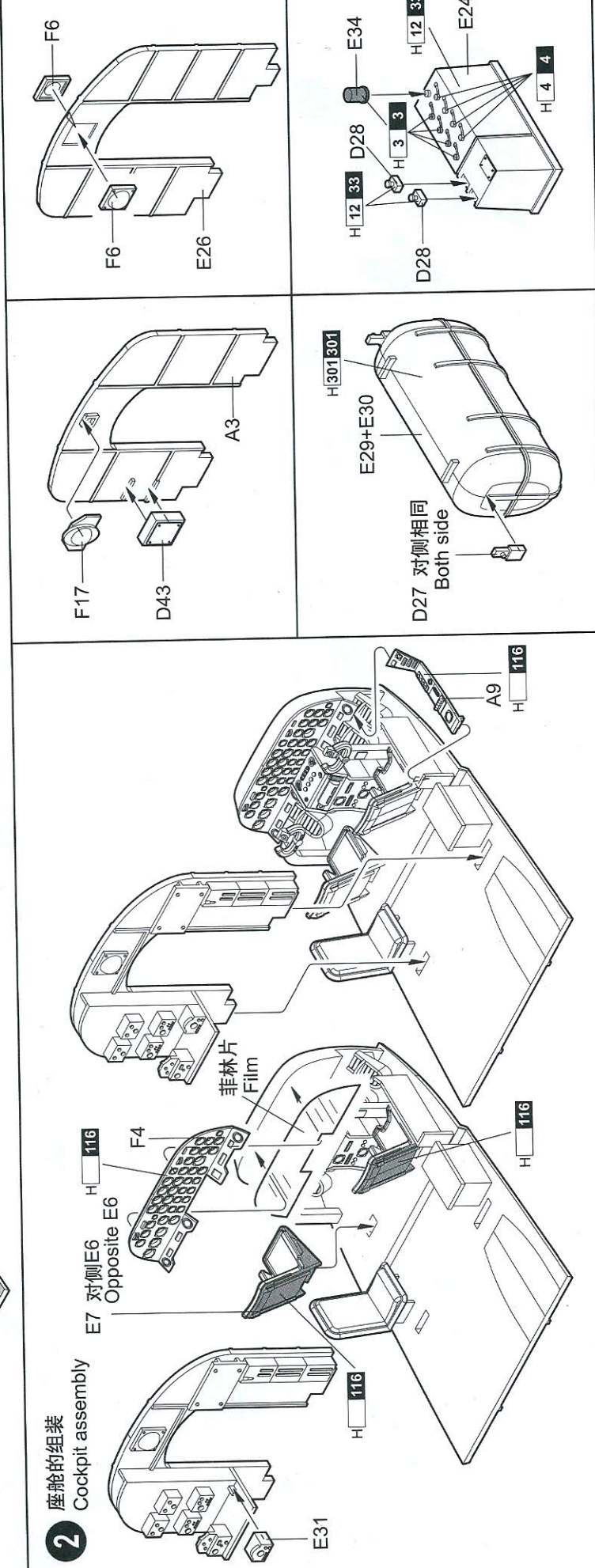


02814

**1** 座舱的组装  
Cockpit assembly

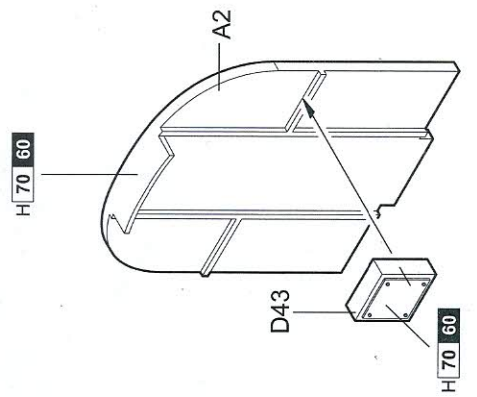
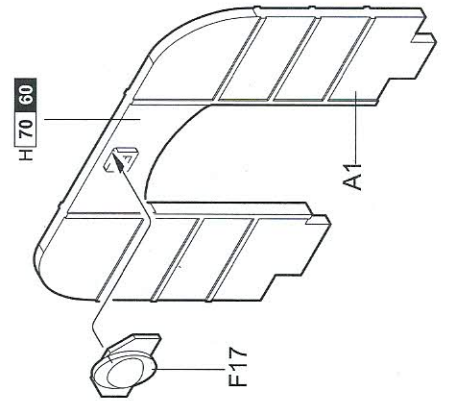
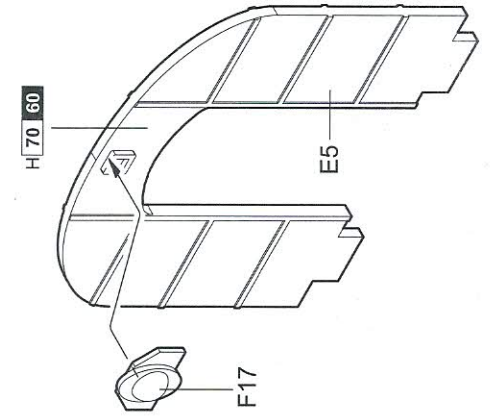
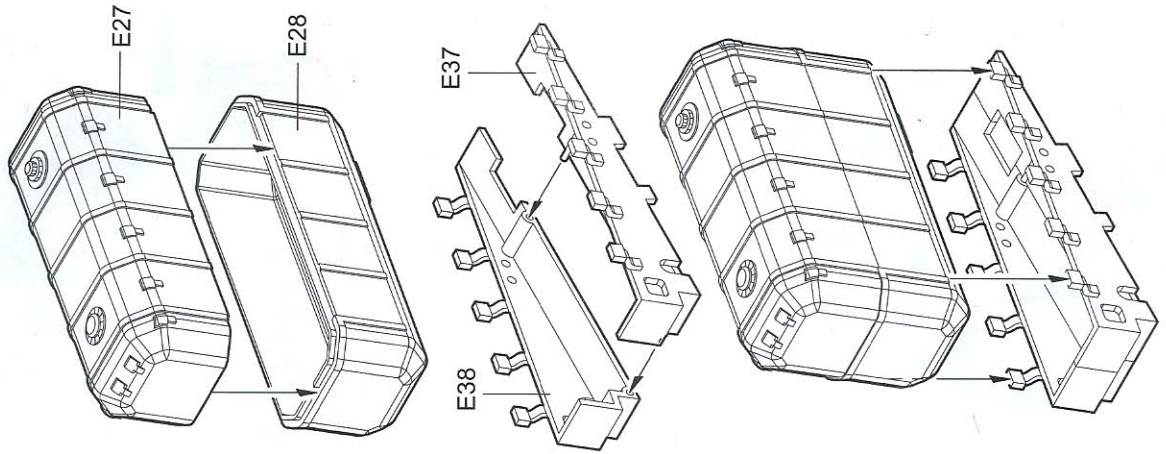
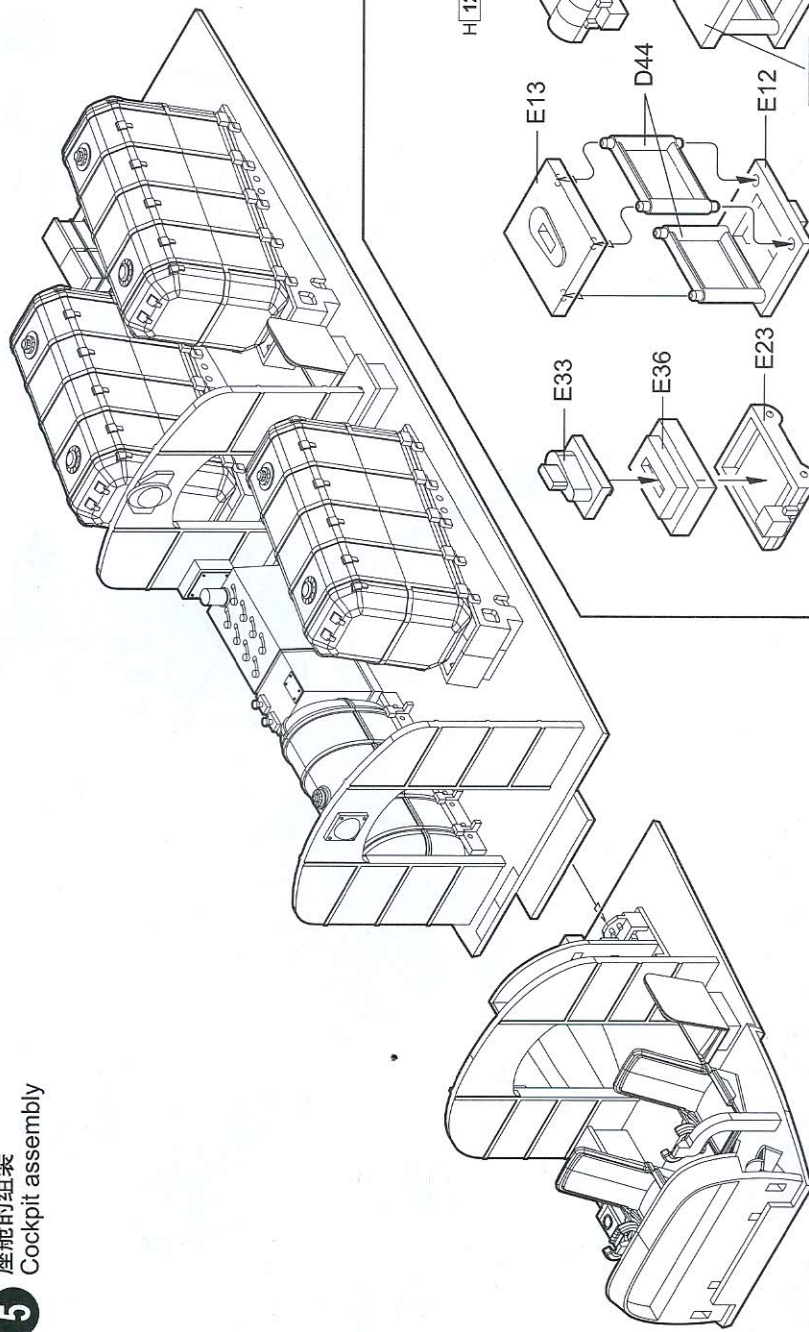


**2** 座舱的组装  
Cockpit assembly

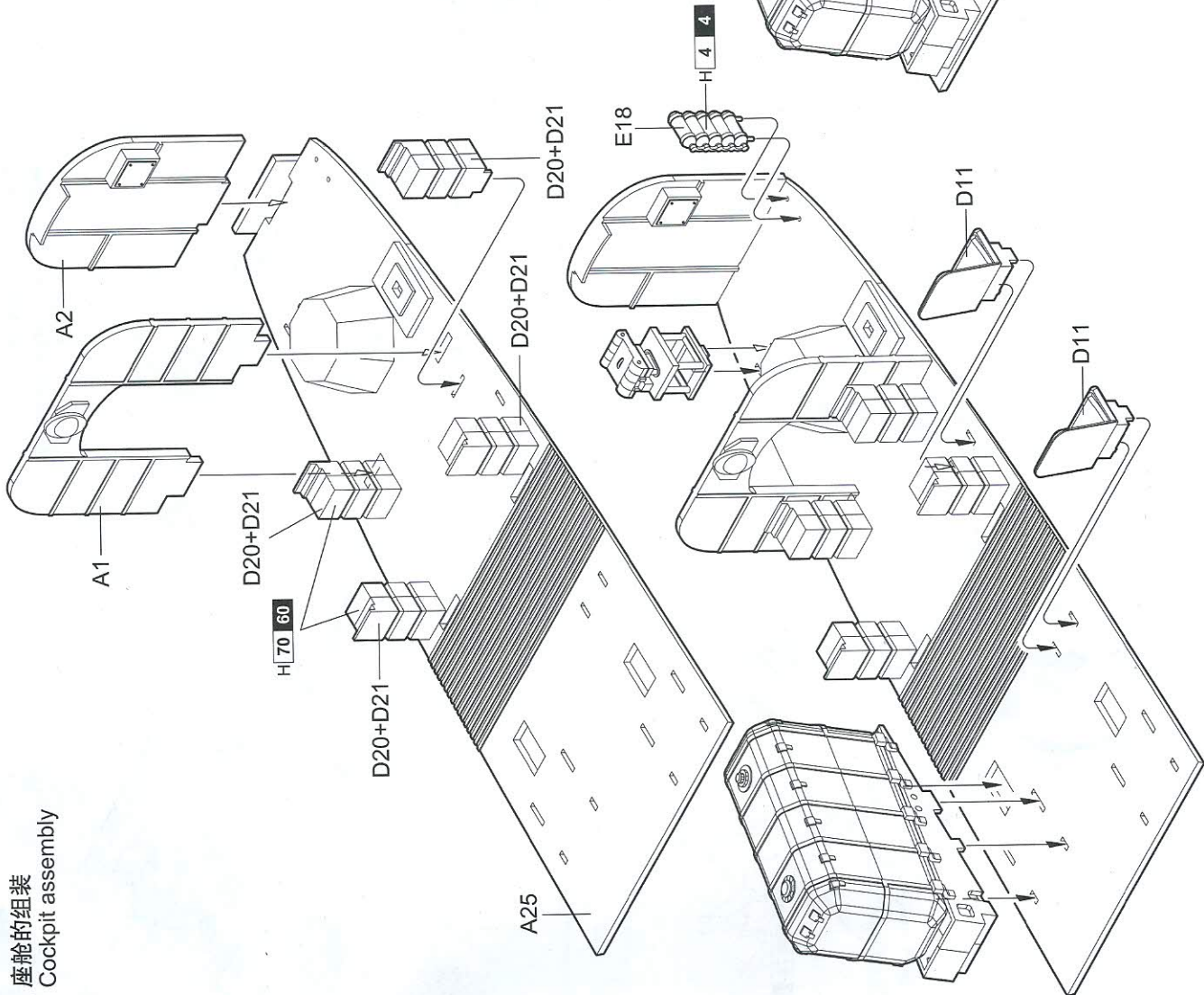




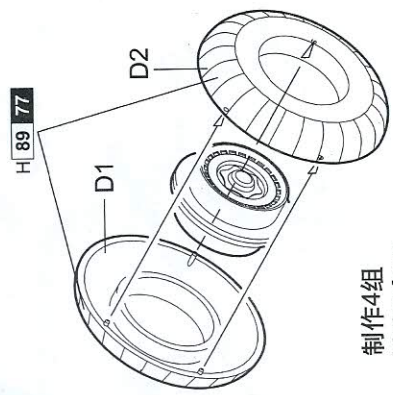
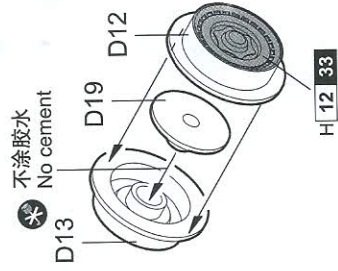
**5** 座舱的组装  
Cockpit assembly



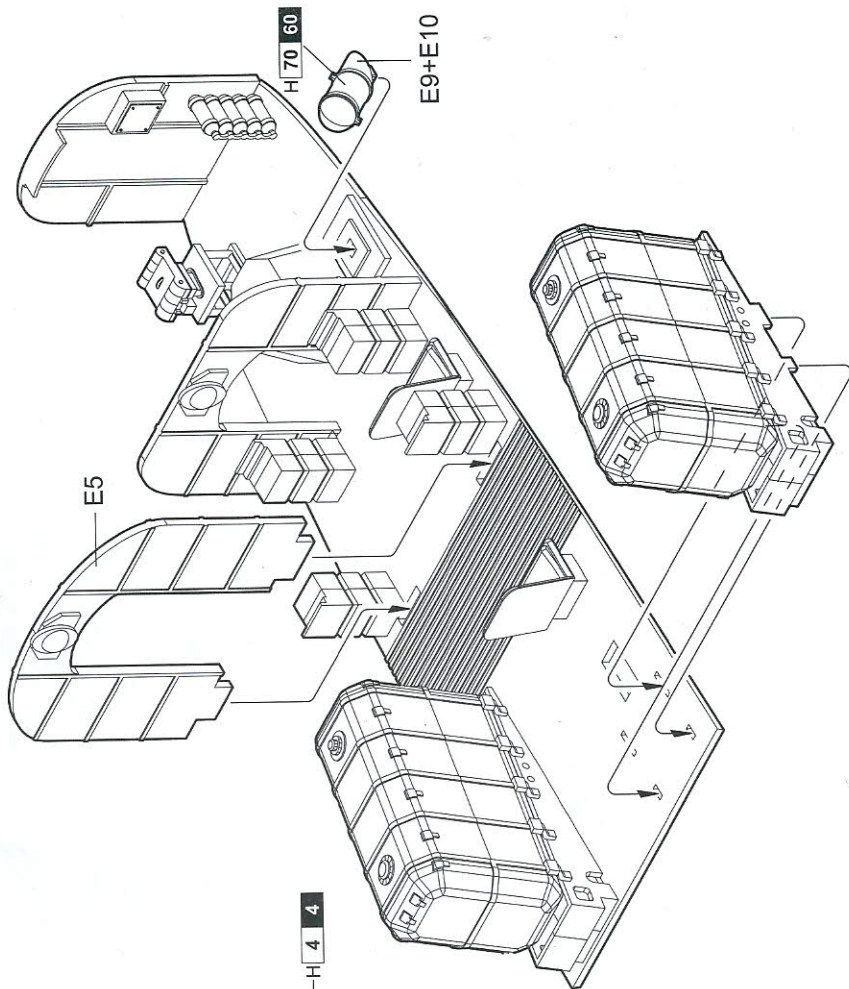
**6** 座舱的组装  
Cockpit assembly



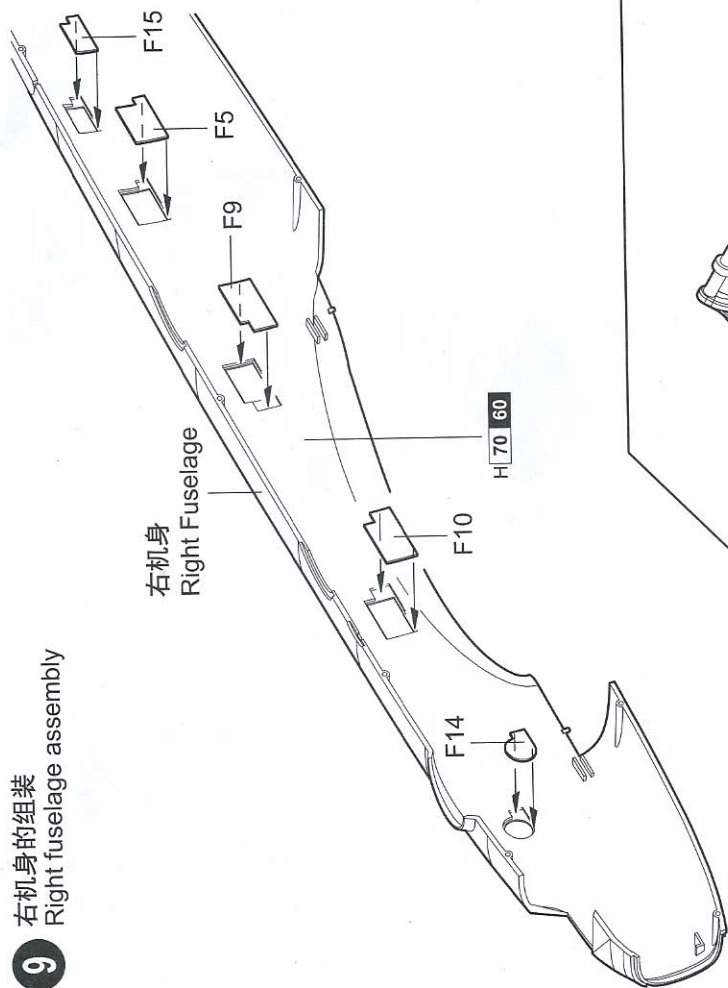
**7** 主轮的组装  
Main gear assembly



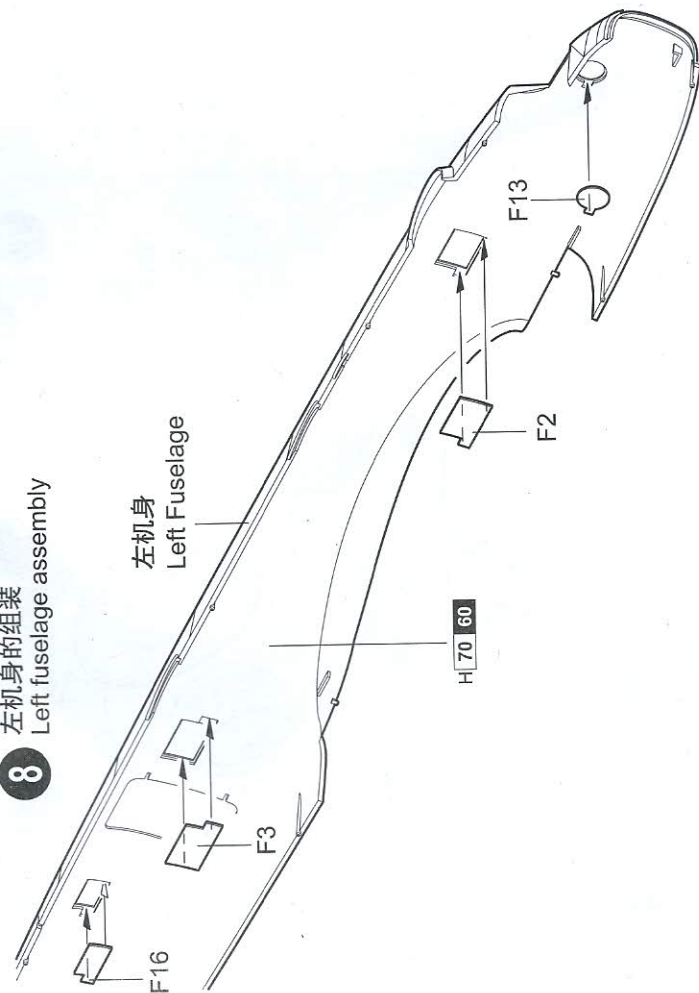
制作4组  
Make four



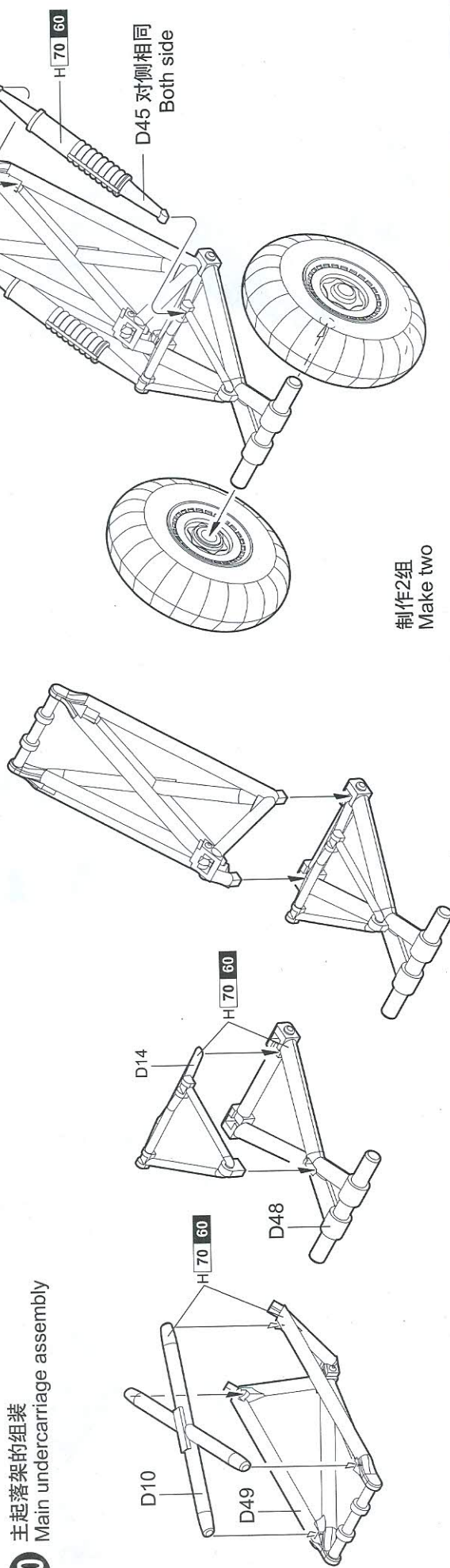
**9** 右机身的组装  
Right fuselage assembly



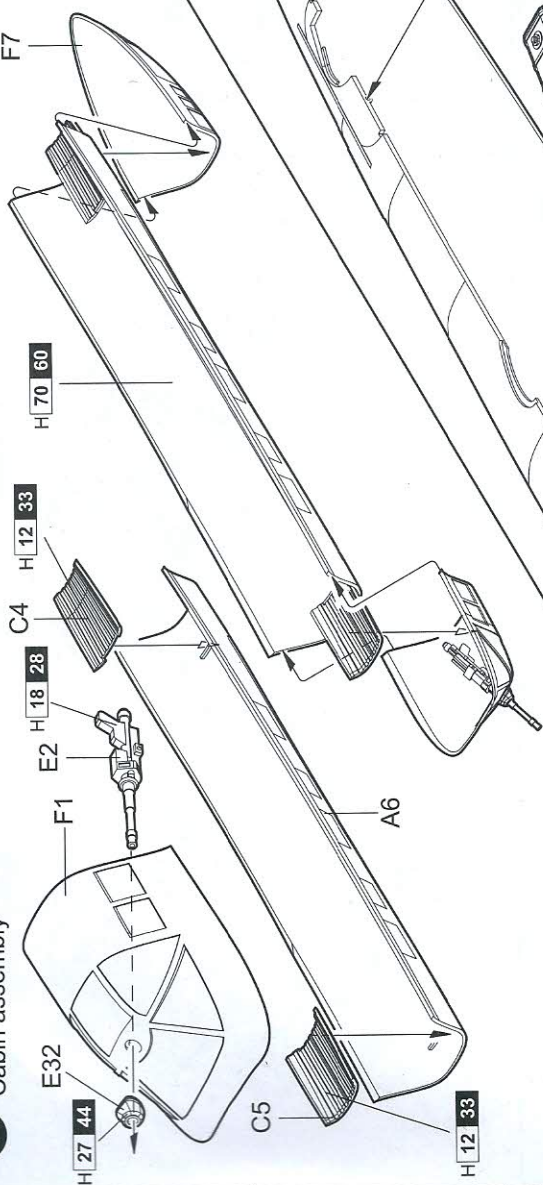
**8** 左机身的组装  
Left fuselage assembly



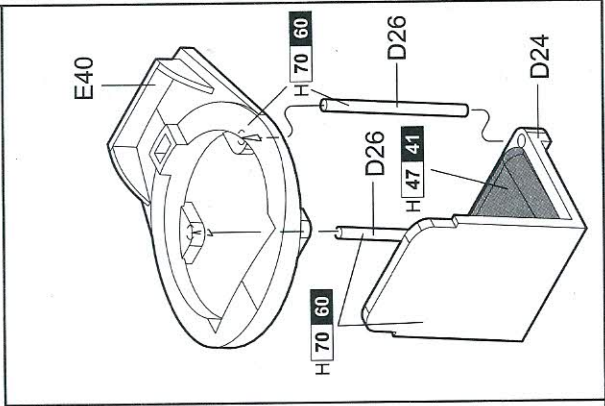
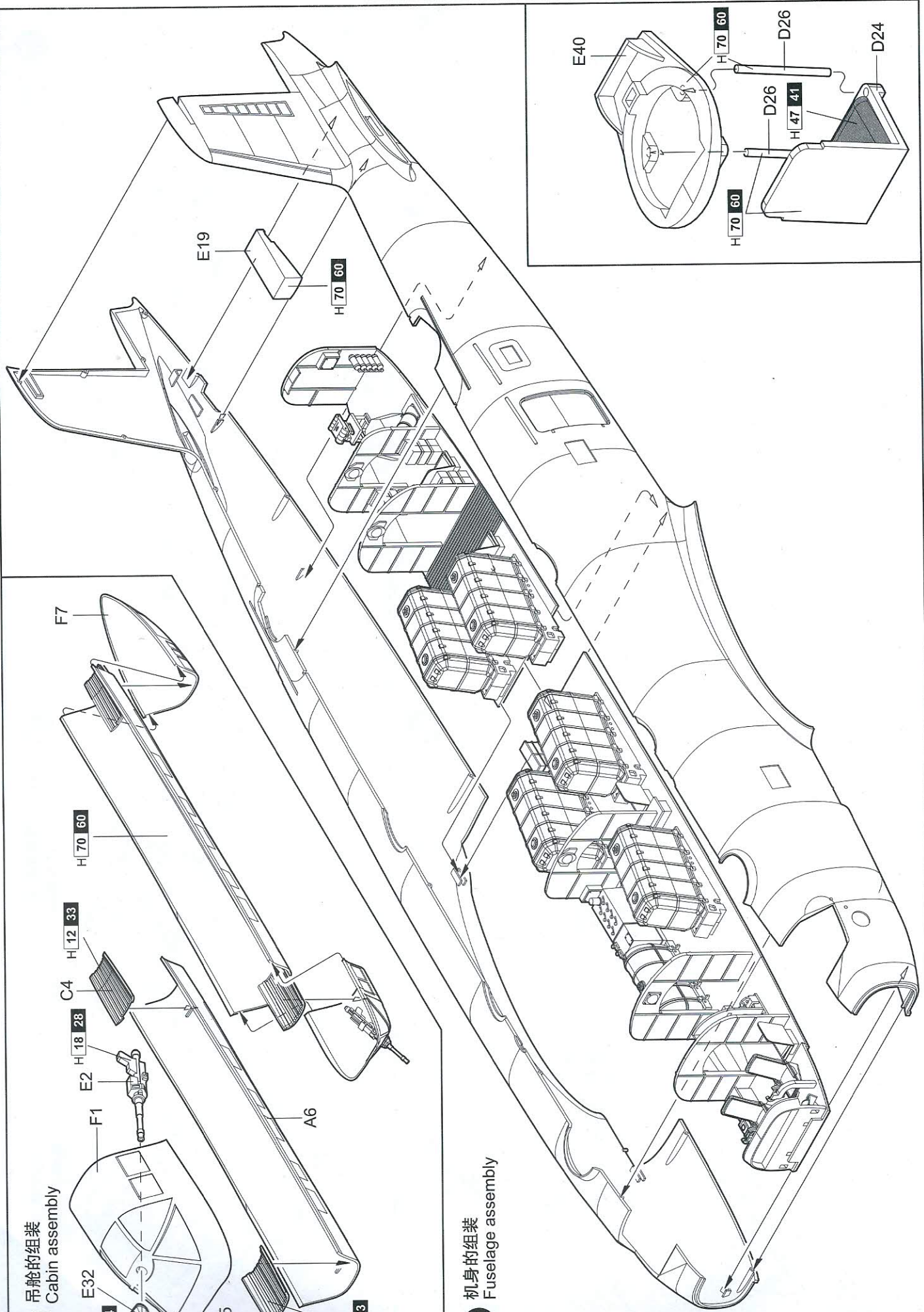
**10** 主起落架的组装  
Main undercarriage assembly



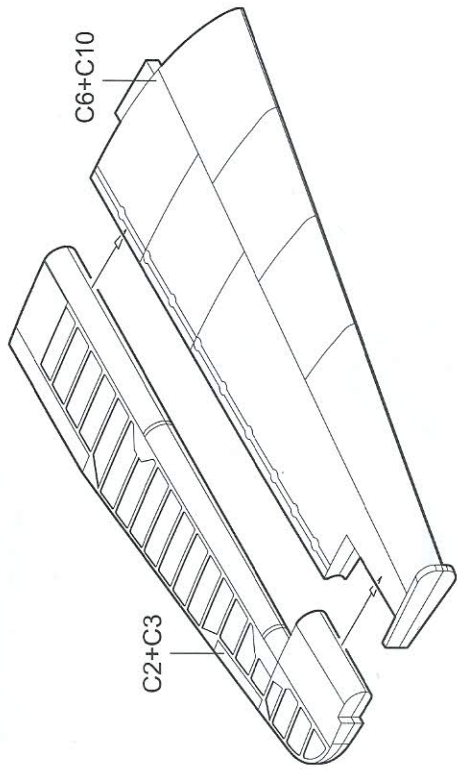
**11** 吊舱的组装  
Cabin assembly



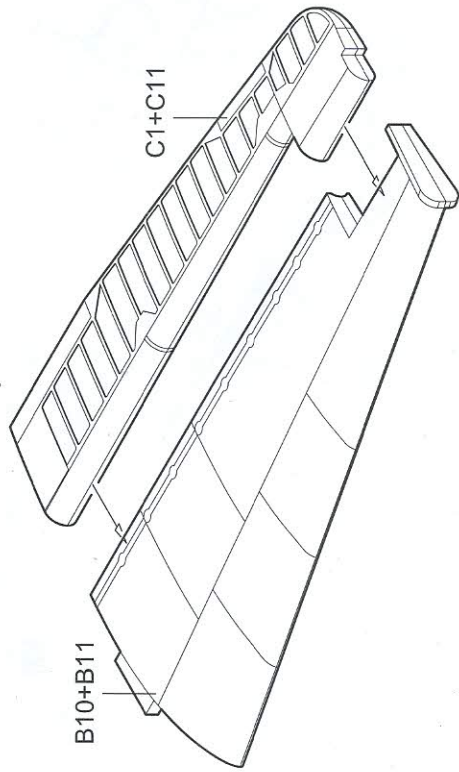
**12** 机身的组装  
Fuselage assembly



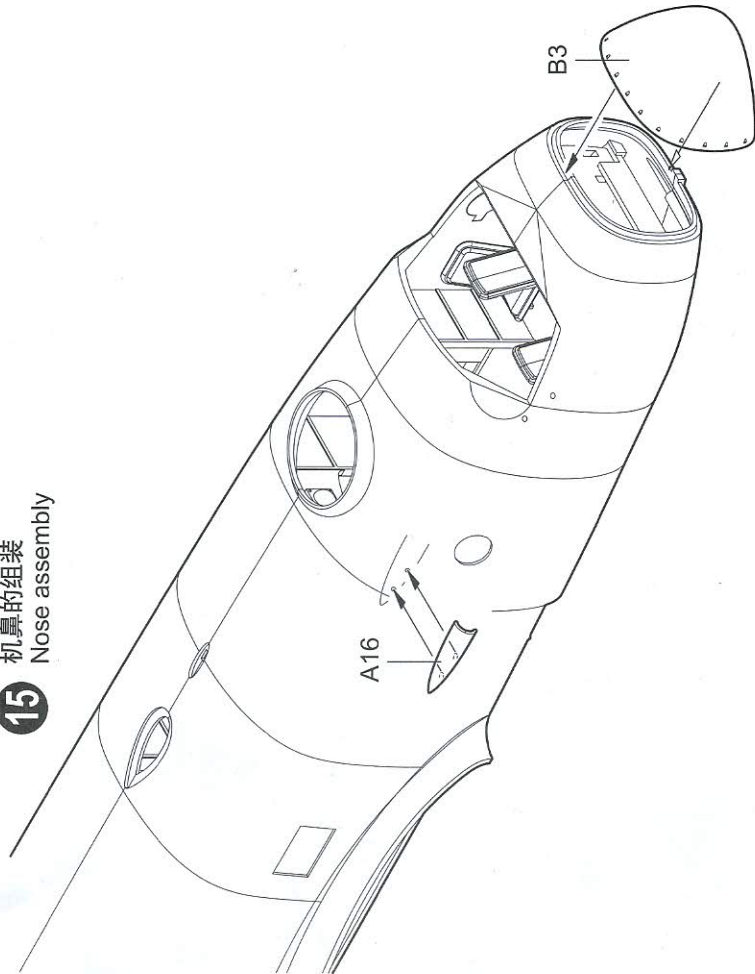
**13** 右侧水平尾翼的组装  
Right horizontal stabilizer assembly



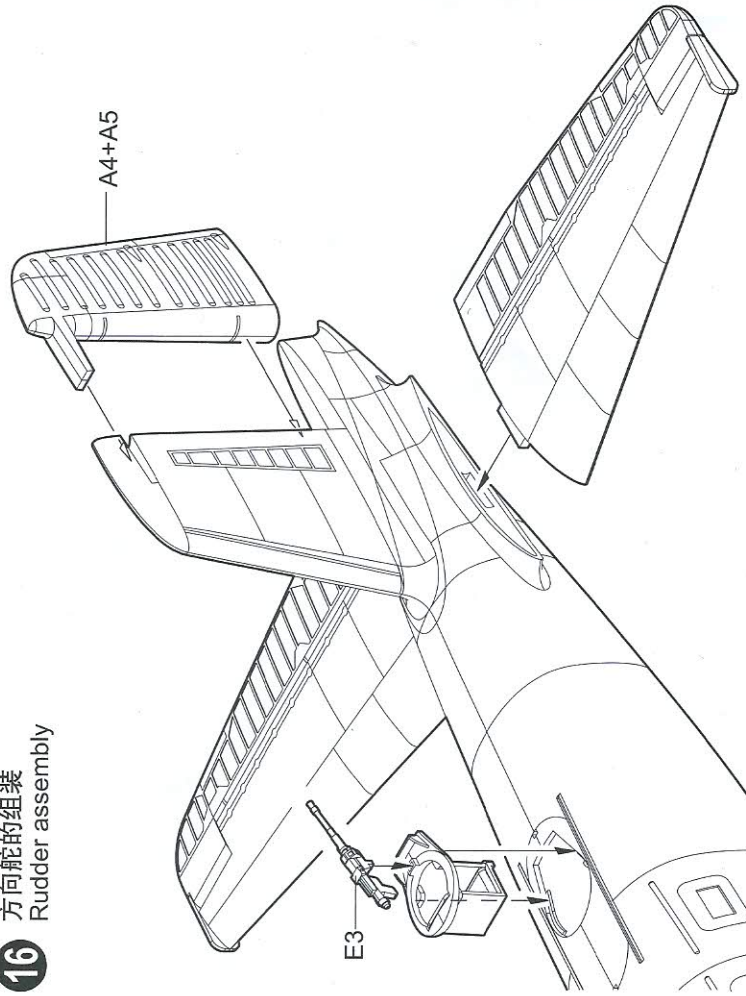
**14** 左侧水平尾翼的组装  
Left horizontal stabilizer assembly



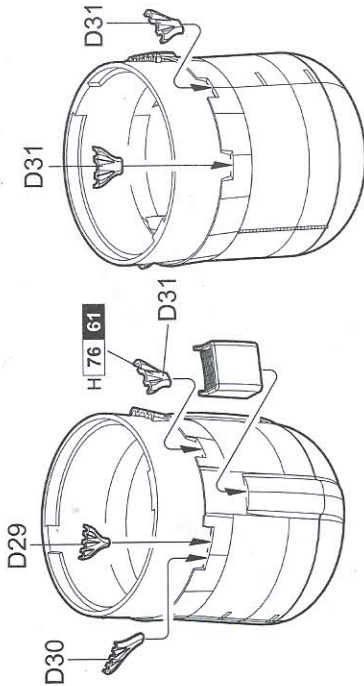
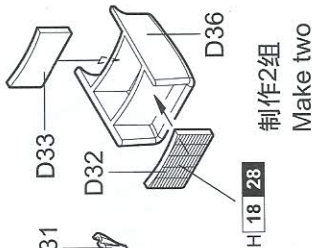
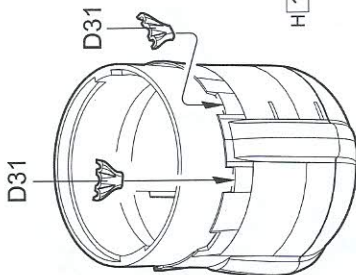
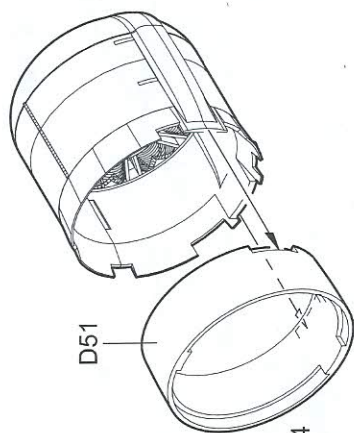
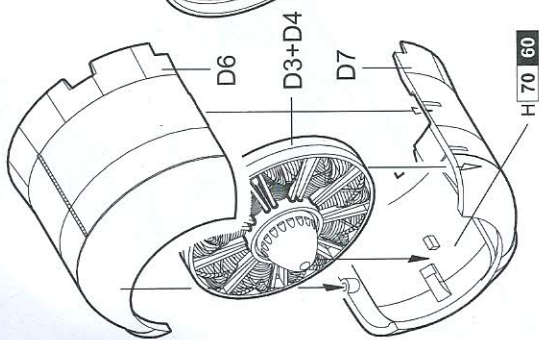
**15** 机鼻的组装  
Nose assembly



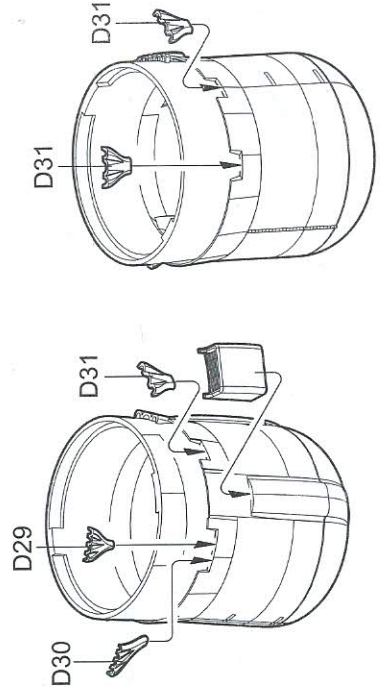
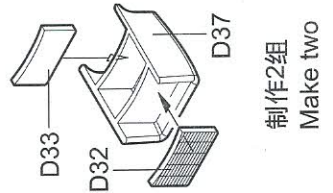
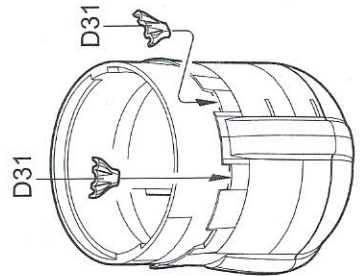
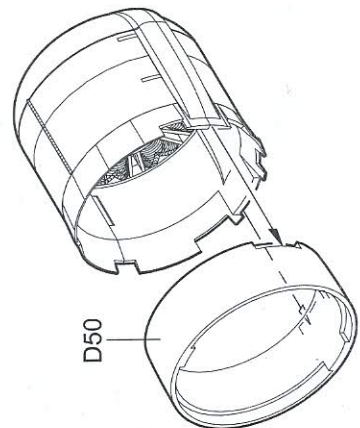
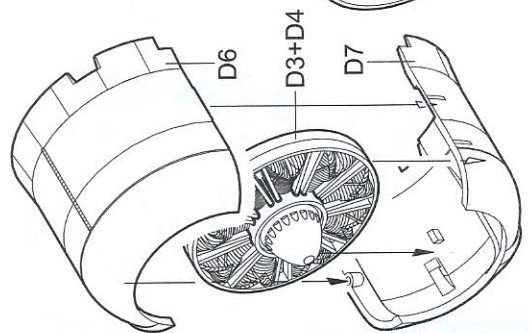
**16** 方向舵的组装  
Rudder assembly



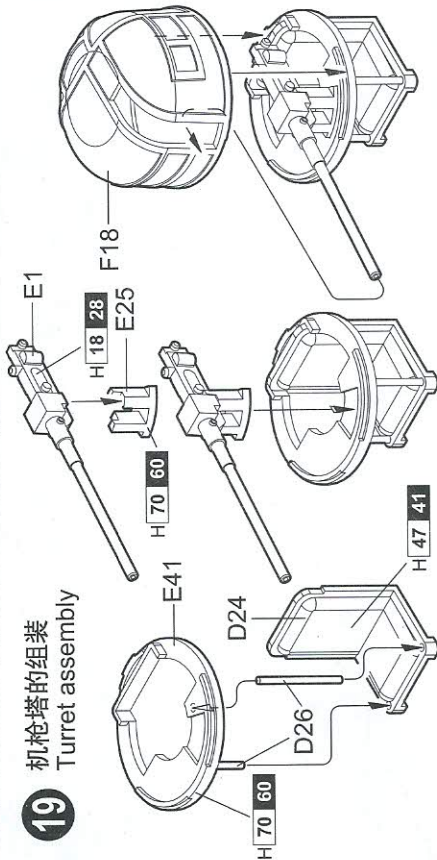
**17** 外侧发动机的组装  
Outer engine assembly



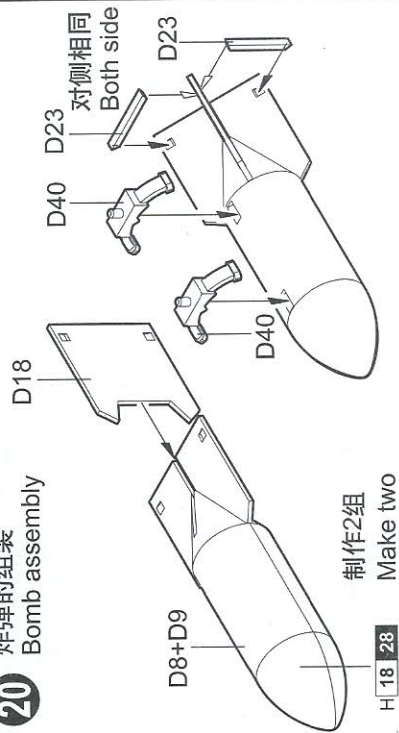
**18** 内侧发动机的组装  
Inter engine assembly



**19** 机枪塔的组装  
Turret assembly



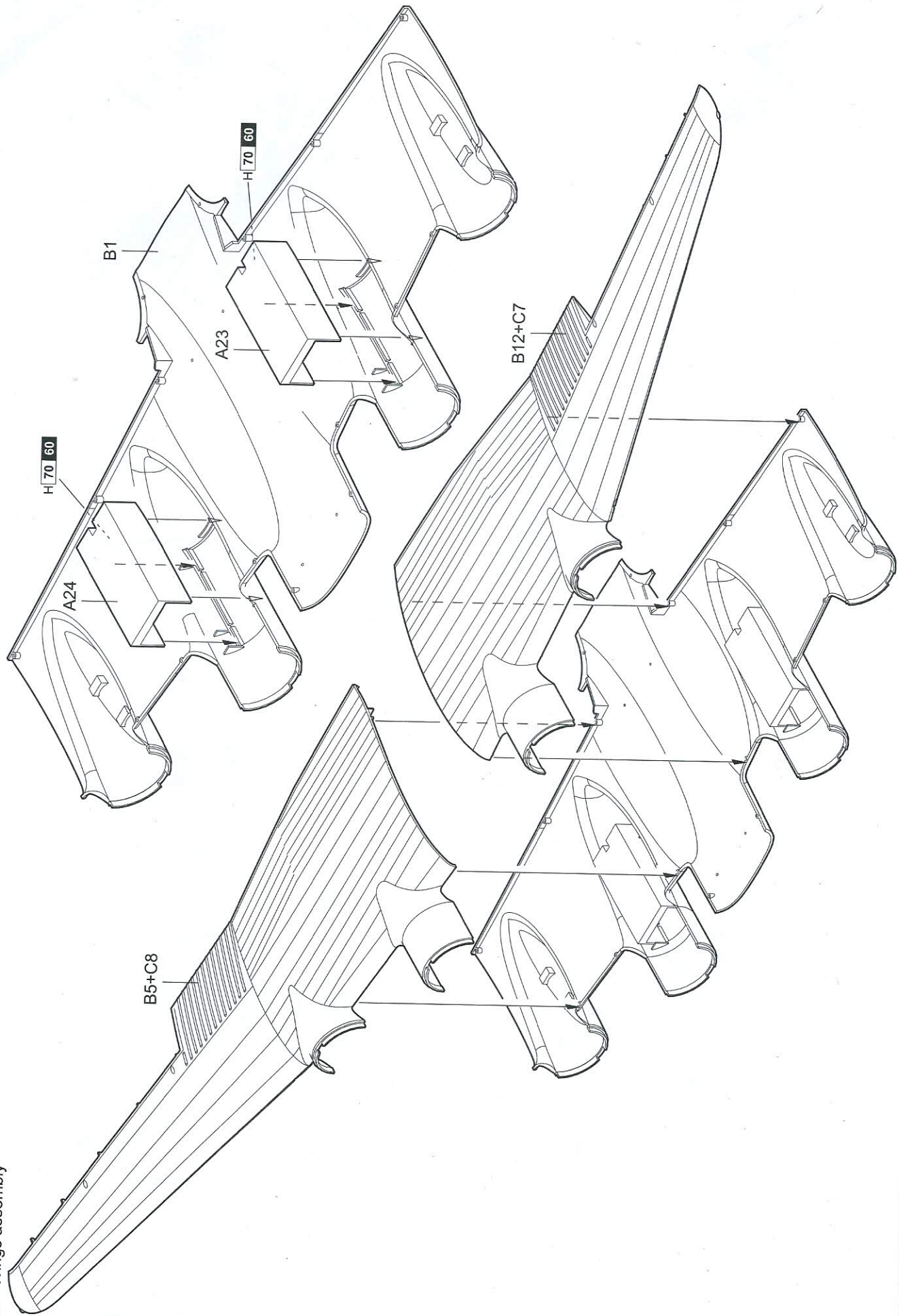
**20** 炸弹的组装  
Bomb assembly



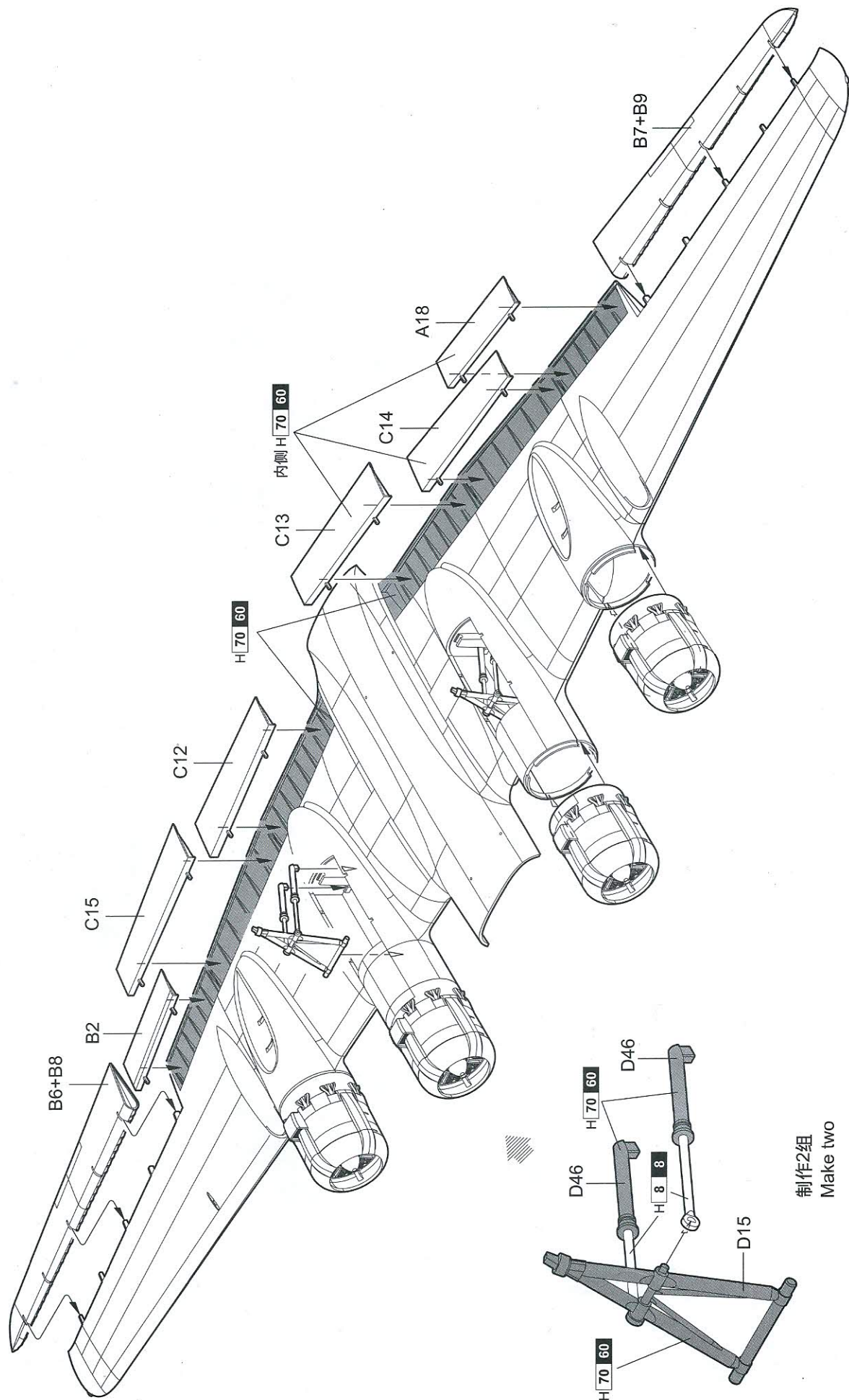
机翼的组装

Wings assembly

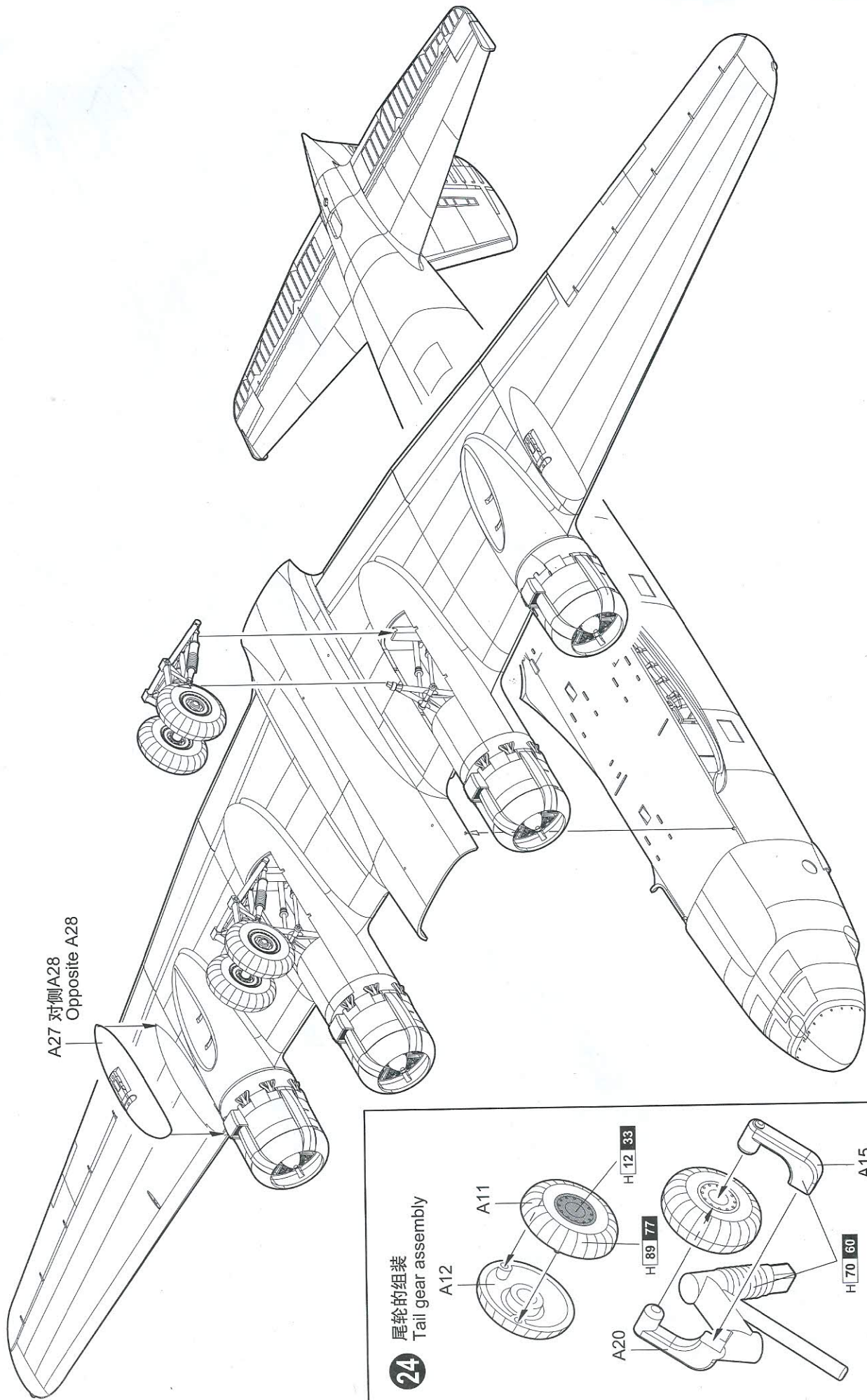
21



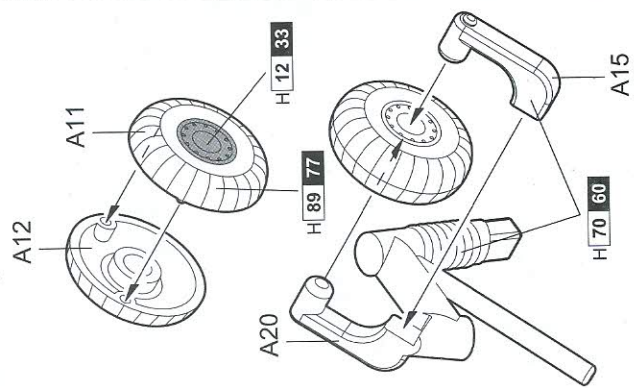
**22** 发动机的安装  
Engine installation



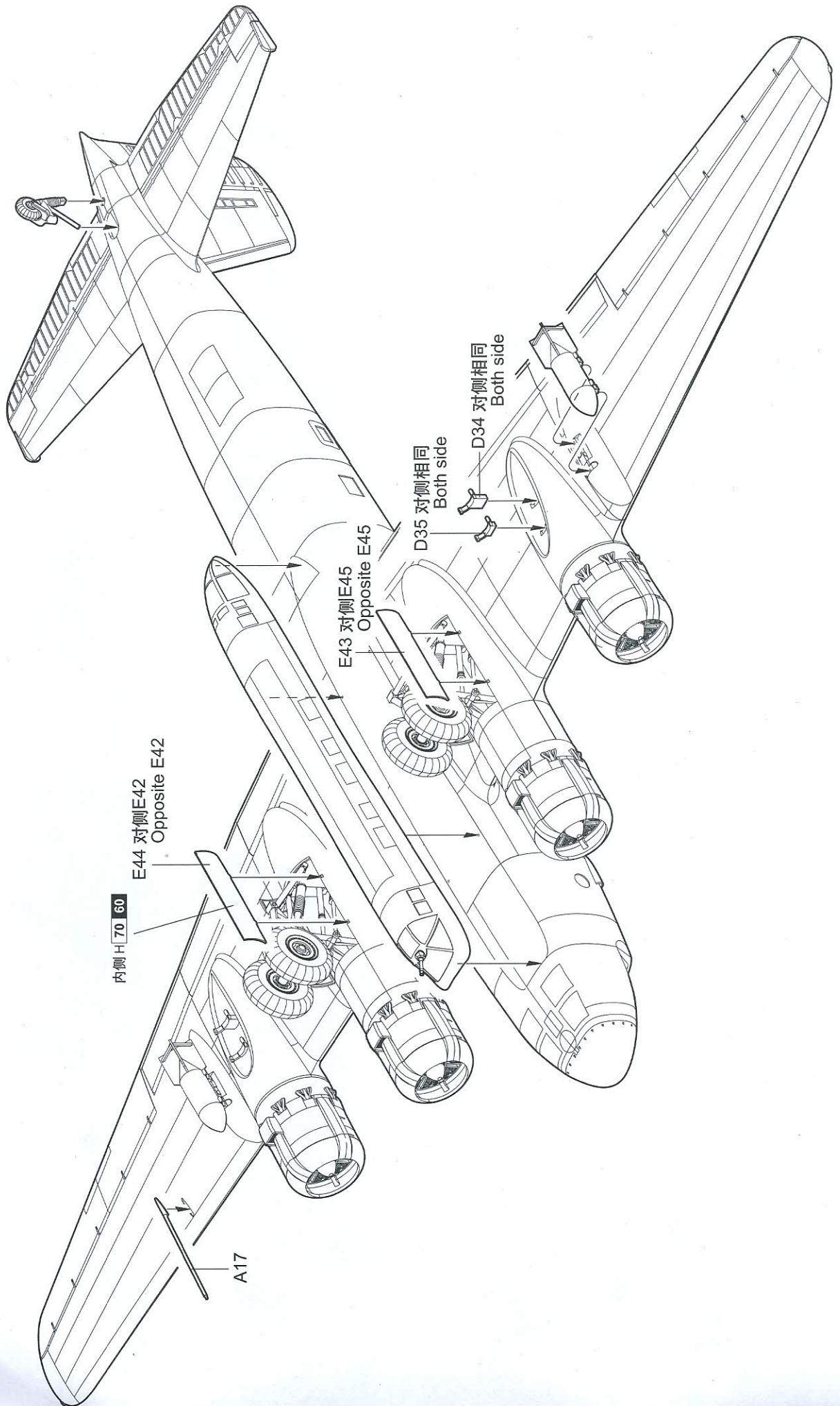
**23** 机翼的安装  
Wing installation



**24** 尾轮的组装  
Tail gear assembly

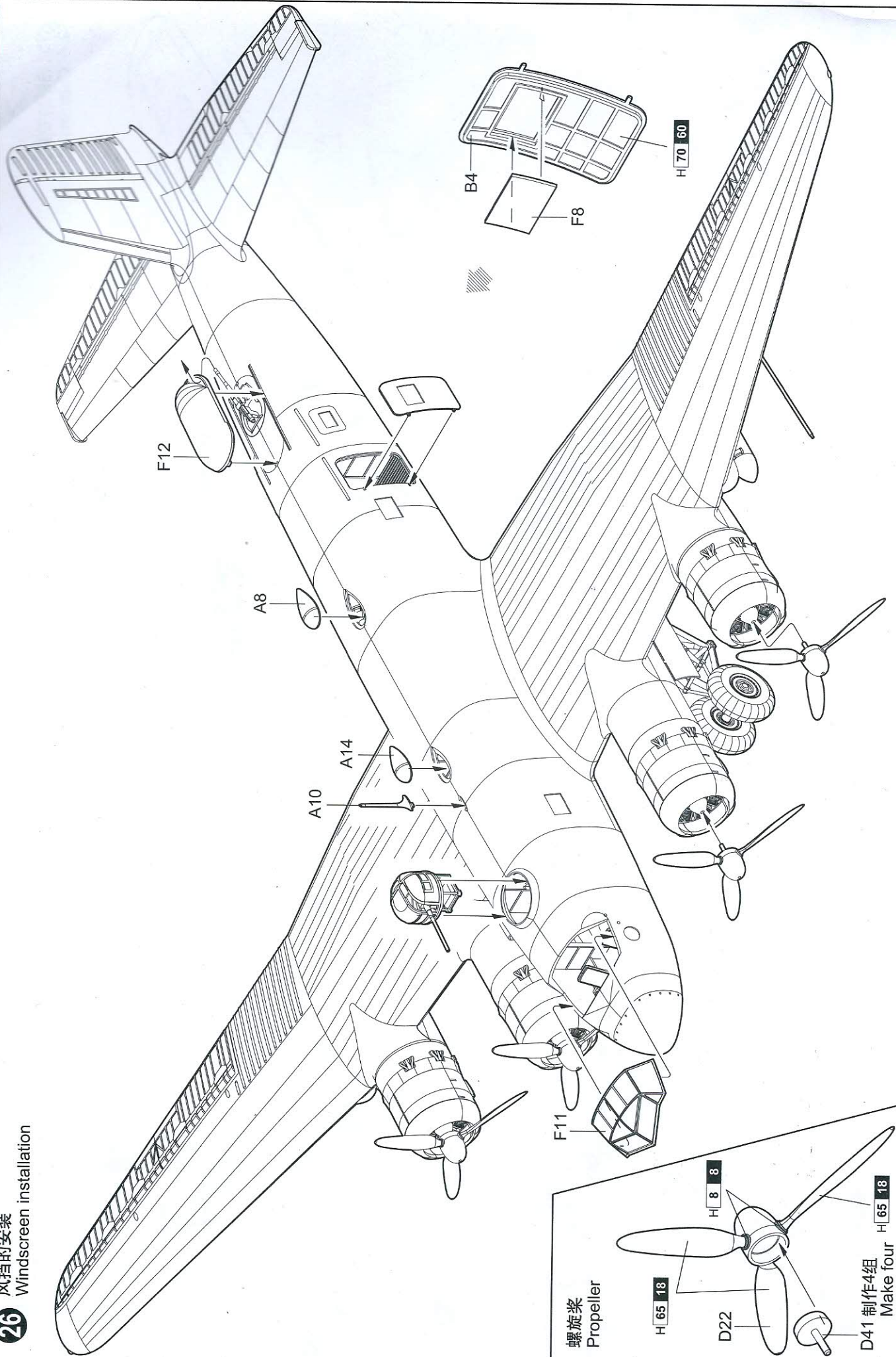


**25** 吊舱的安装  
Cabin installation



26

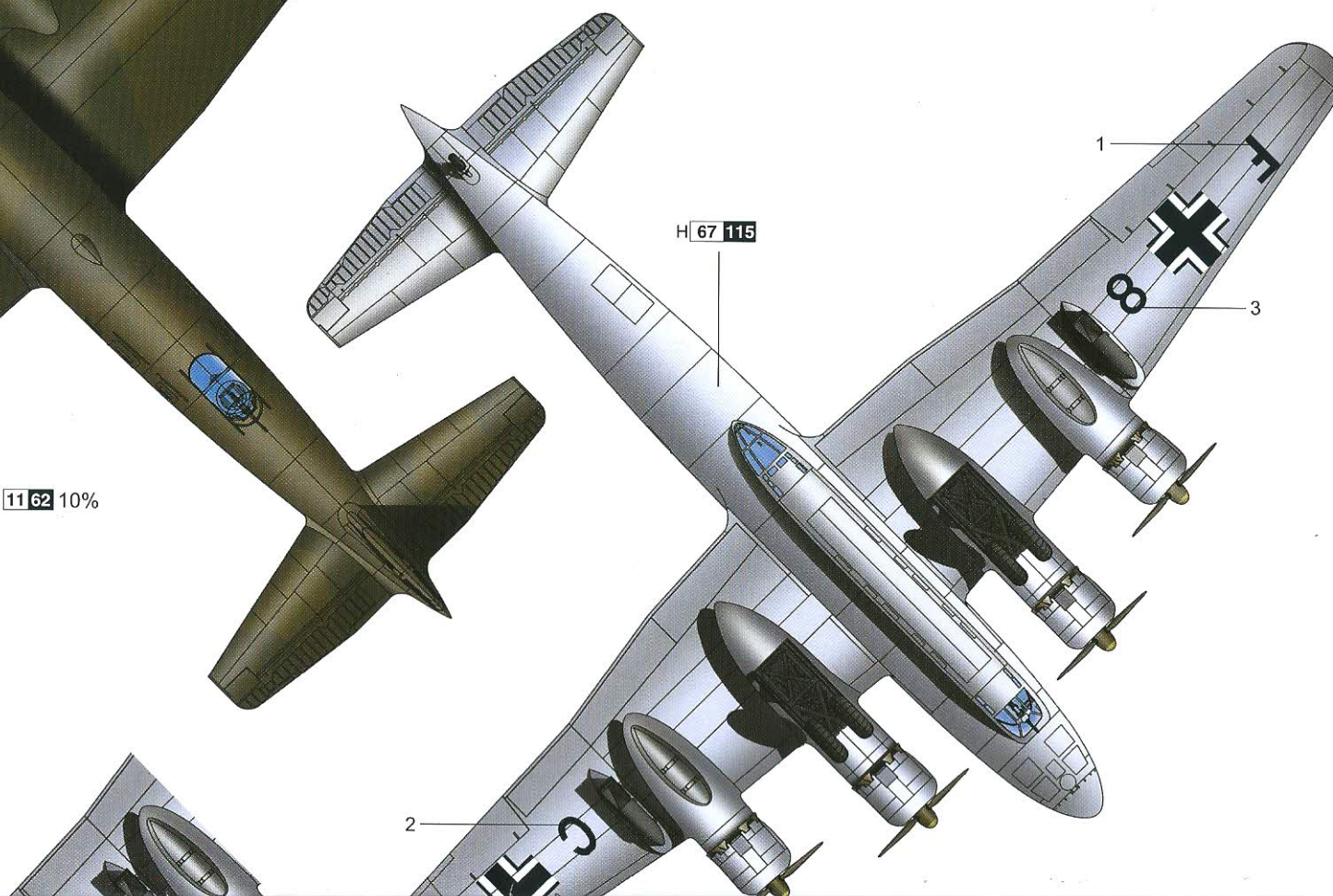
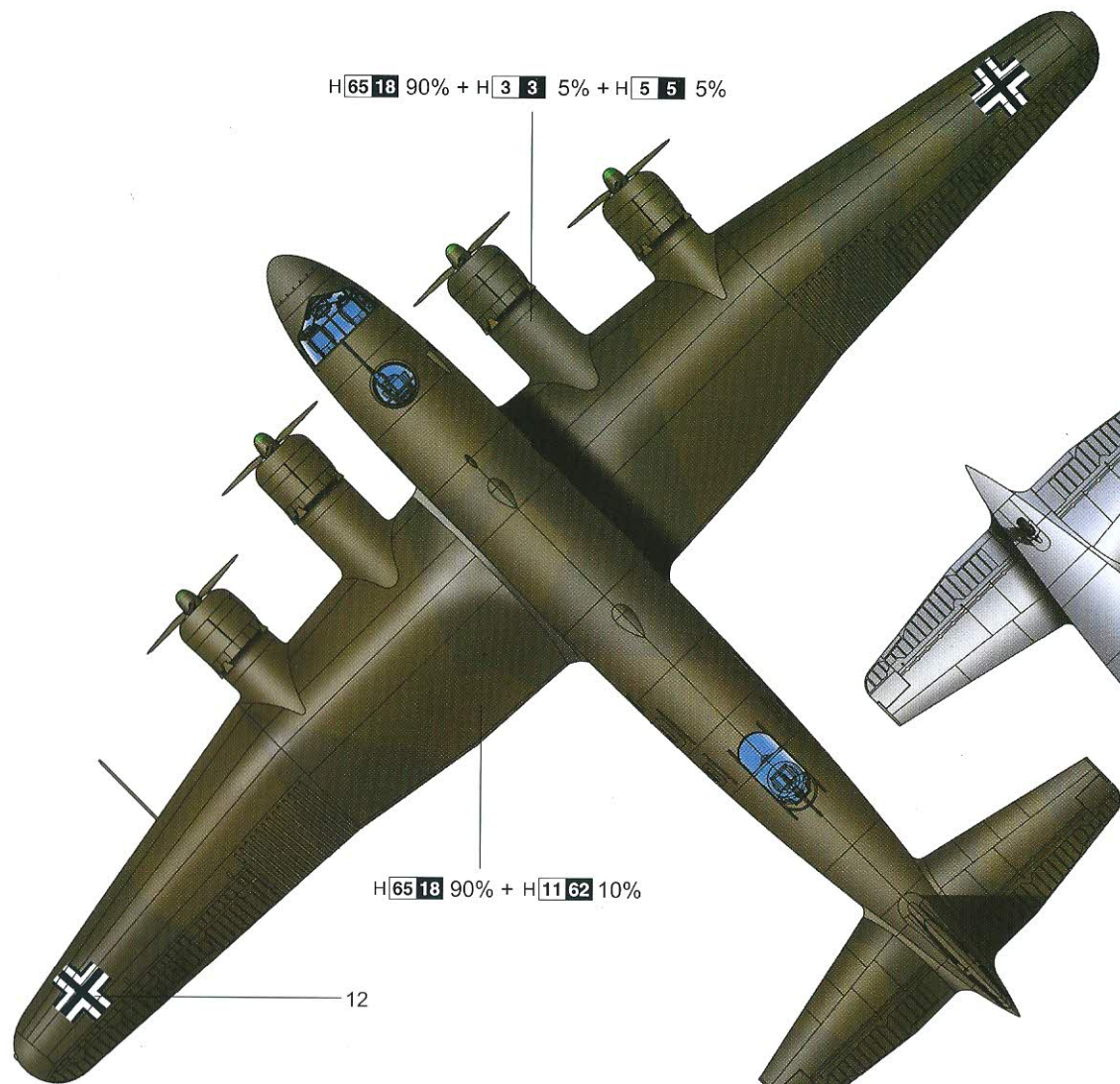
风挡的安装  
Windscreen installation

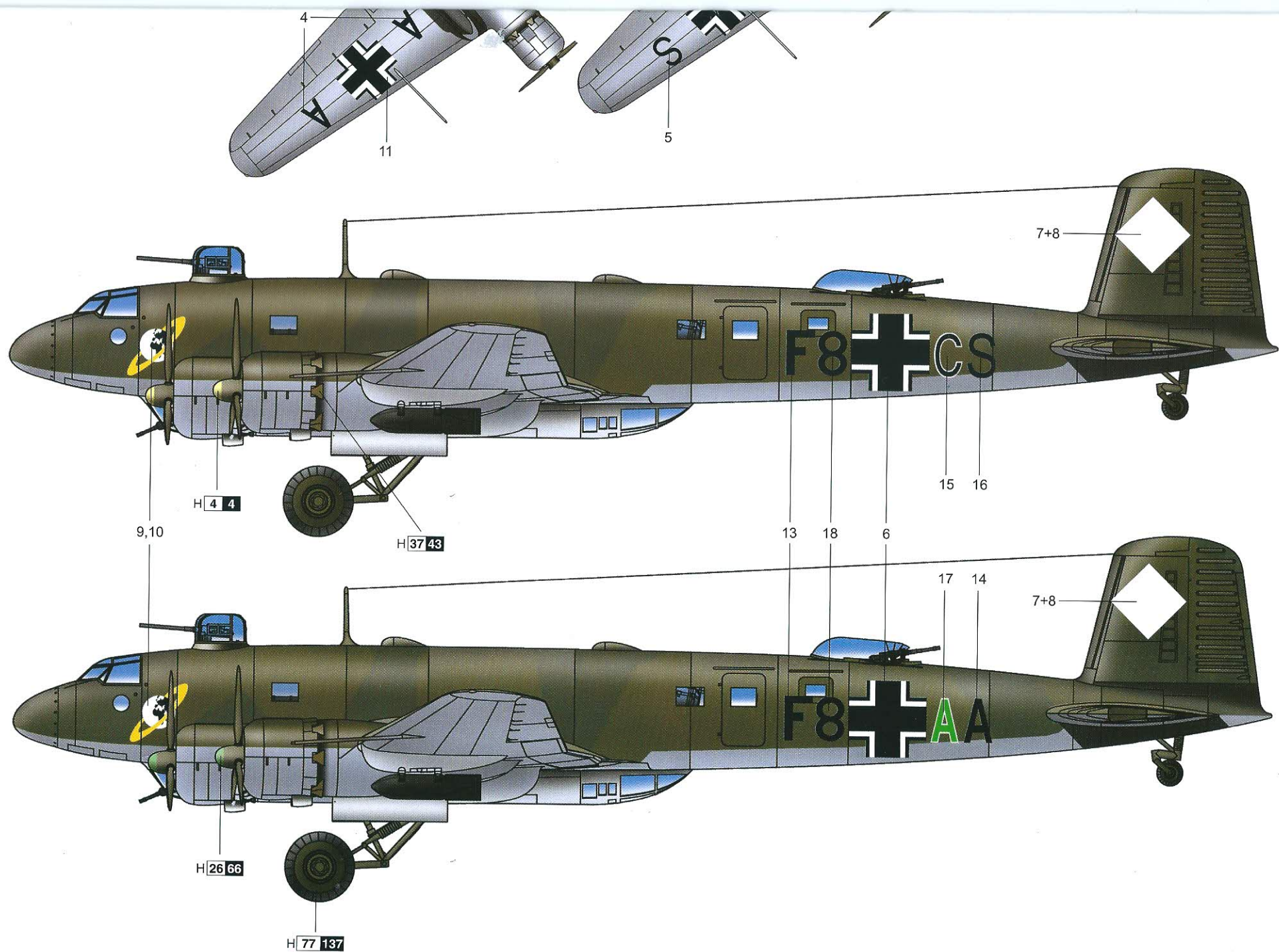


涂装同标贴指示  
Painting & Marking guide

使用郡仕公司涂料  
GUNZE Sanyo Mr.Color used

Gunze		
H 3 3	红色	Red
H 4 4	黄色	Yellow
H 5 5	蓝色	Blue
H 11 62	消光白	Flat White
H 26 66	浅绿色	Bright Green
H 37 43	木棕色	Wood Brown
H 65 18	墨绿色	RLM70 Black Green
H 67 115	浅蓝色	Light Blue
H 77 137	胎黑色	Tire Black





H 8 GUNZE SANGYO AQUEOUS HOBBY COLOUR

H 8 GUNZE SANGYO MR.COLOUR

02814 1/48 Fw200C-4 CONDOR