



P-40/1S12 Long Track S-band acquisition radar

P-40/1S12 “长轨道” S波段搜索雷达

READ BEFORE ASSEMBLY:

- This kit is not recommended for inexperienced modelers or for children under 14 years of age
- Study and understand these instructions thoroughly before beginning assembly
- When needed, remove photo-etch parts carefully using a modeling knife or photo etch sprue cutter, being careful not to damage or lose small parts.
- Take extra care in handling photo etch parts in order to avoid injury
- Apply instant cement sparingly to photo etch parts where instructed

- Tools recommended(not included in kit):Plastic and instant cements,sprue cutters,long nose pliers,modeling knife, small files, tweezers, pin vise & scissors. Soft cloth and sandpaper will also assist in construction
- Glue and paint are not included in the kit. Use plastic cement and hobby paints only. Color guide for purchasing paint is included in the kit.
- Keep out of reach of children. They must not be allowed to ingest small parts or handle plastic bags in any way.

装配之前仔细阅读

- 小心用模型锉刀锉平所有零件表面的注射浇口。
- 小心用刀片切下蚀刻片零件，不要遗失小零件。
- 用强力快干胶水粘合蚀刻片零件和金属轴。过量的快干胶水使用可能导致可动零件会粘住，小心涂胶。
- 取蚀刻片时应特别注意安全，防止利边划伤手指。
- 某些零件表面需贴上水贴纸，请选择在装配的同时进行。
- 推荐模型工具(自备)：胶水，水口剪刀，长咀钳，刀片，锉刀，镊子钳，钻，剪刀，瞬间快干胶。
- 软布同砂纸同时也是所需工具。
- 请使用塑料胶水和油漆，模型内不含。
- 谨防小孩吸吮塑料零件，或者将塑料袋套在头上，制作时应将套材远离小孩接触。
- 本产品不适合14岁以下没有经验的模型爱好者。

*说明书中含有重要信息，应保留。 Please Keep instruction since it contains important information.

水贴纸的使用:

1. 从水贴纸上剪下印花;
2. 将印花放入温水中浸10秒，然后放在干净布上。
3. 拿着印花纸板将印花移到模型上;
4. 手指蘸水将印花移到适当的位置;
5. 用软布轻压印花直至水干，汽泡消失。

DECAL APPLICATION:

1. Cut decals from sheet as needed
2. Dip the decal in warm water for about 10 seconds and then place on soft clean cloth.
3. Hold the decal backing sheet edge and gently slide the decal onto the model in its proper position.

4. While still wet decal can be adjusted for better fit on model by dampening it gently with your finger.
5. When placed in the proper position,gently press decal down with a soft cloth until excess water and air bubbles are gone.
6. Allow decal to dry completely before handling model



使用强力胶
Cyanoacrylate glue



配重
Weight



钻孔
Make hole



切割
Cut / Remove



先装
Install it first



贴纸
Decal



锉刀 / 砂纸
File / Sand



选项
Option



不用胶水
No cement

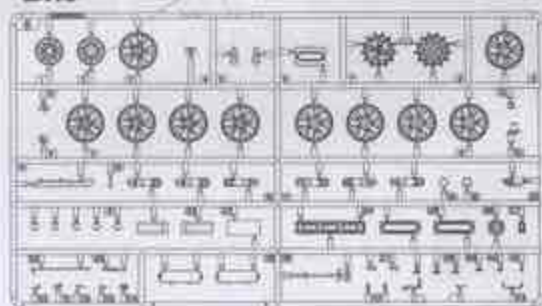


弯曲
Bend

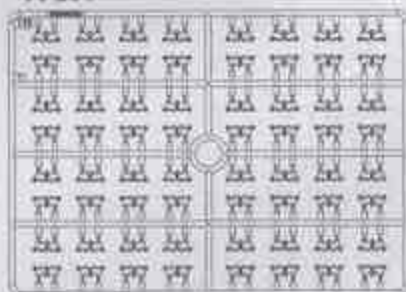


修补
Repair

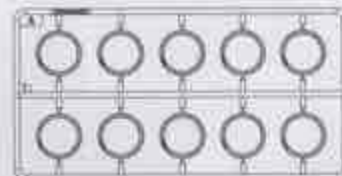
Bx3



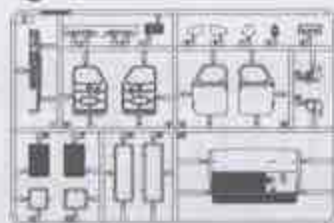
TRx4



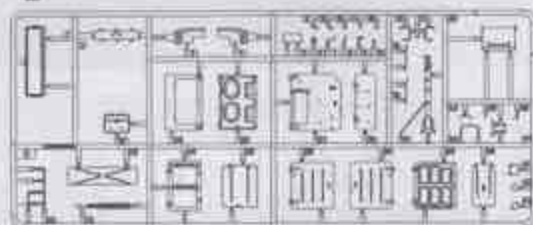
Ax3



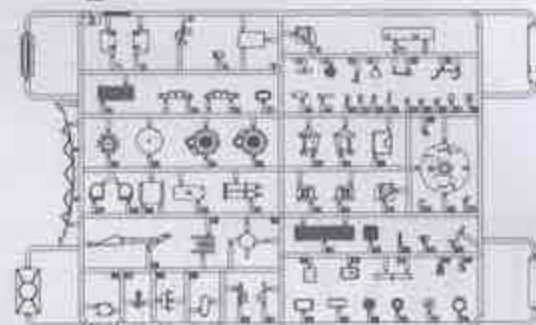
C



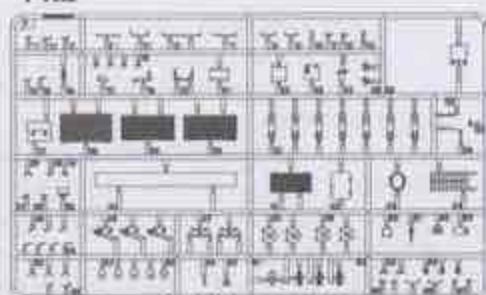
D



E



Fx2



J



(車底)
Lower hull



GP



D43



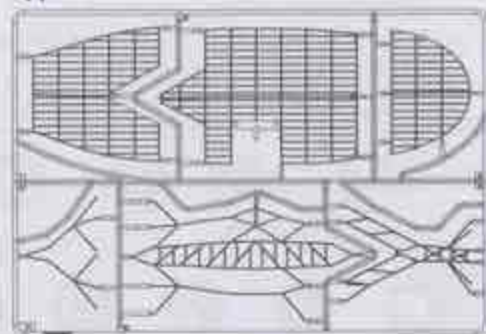
(銅線)
Brass wire



(遮光片B)
PE-B



H



G



(遮光片A)
PE-A



(車頂)
Upper hull



C23



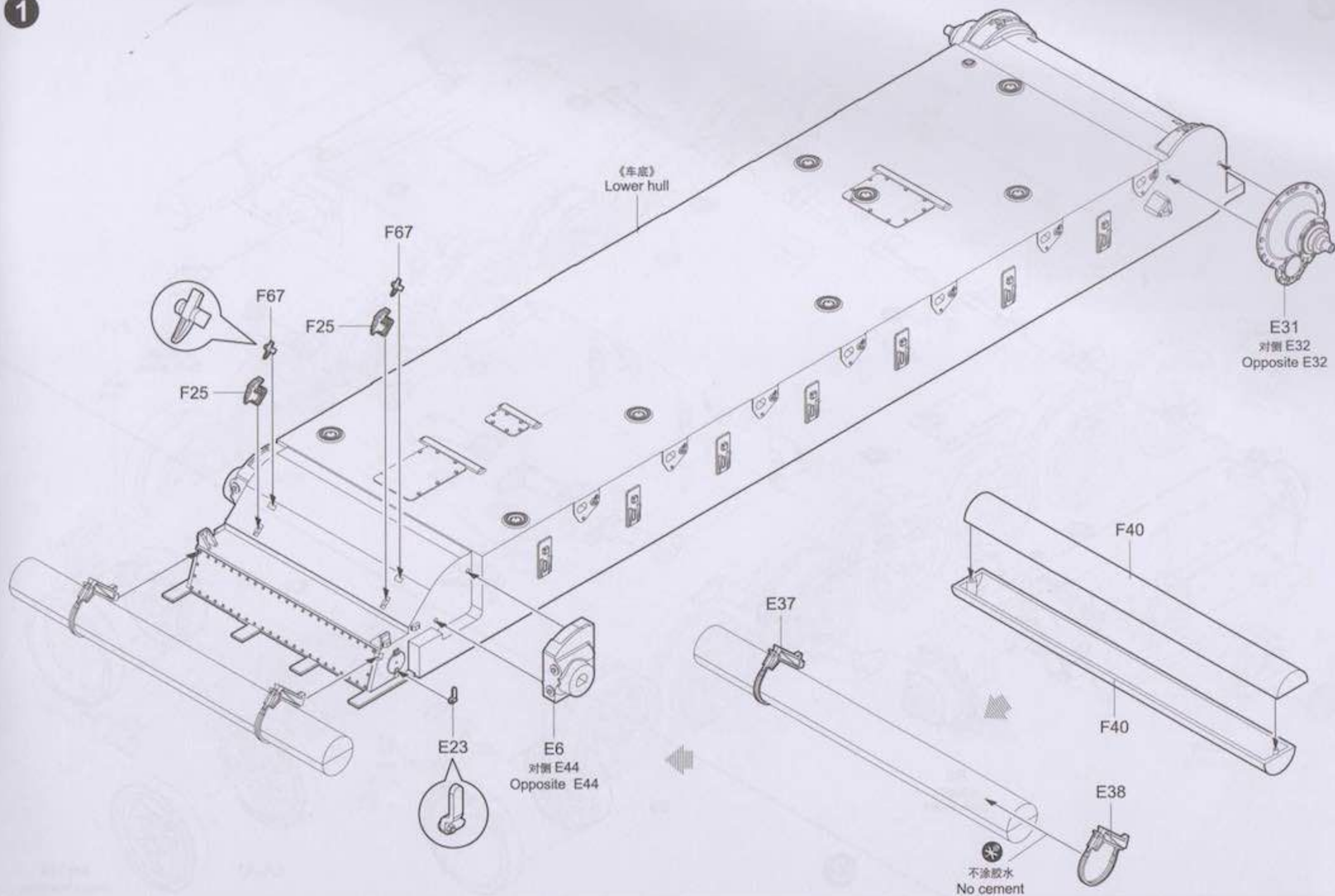
(遮光紙)
Die-cut mask



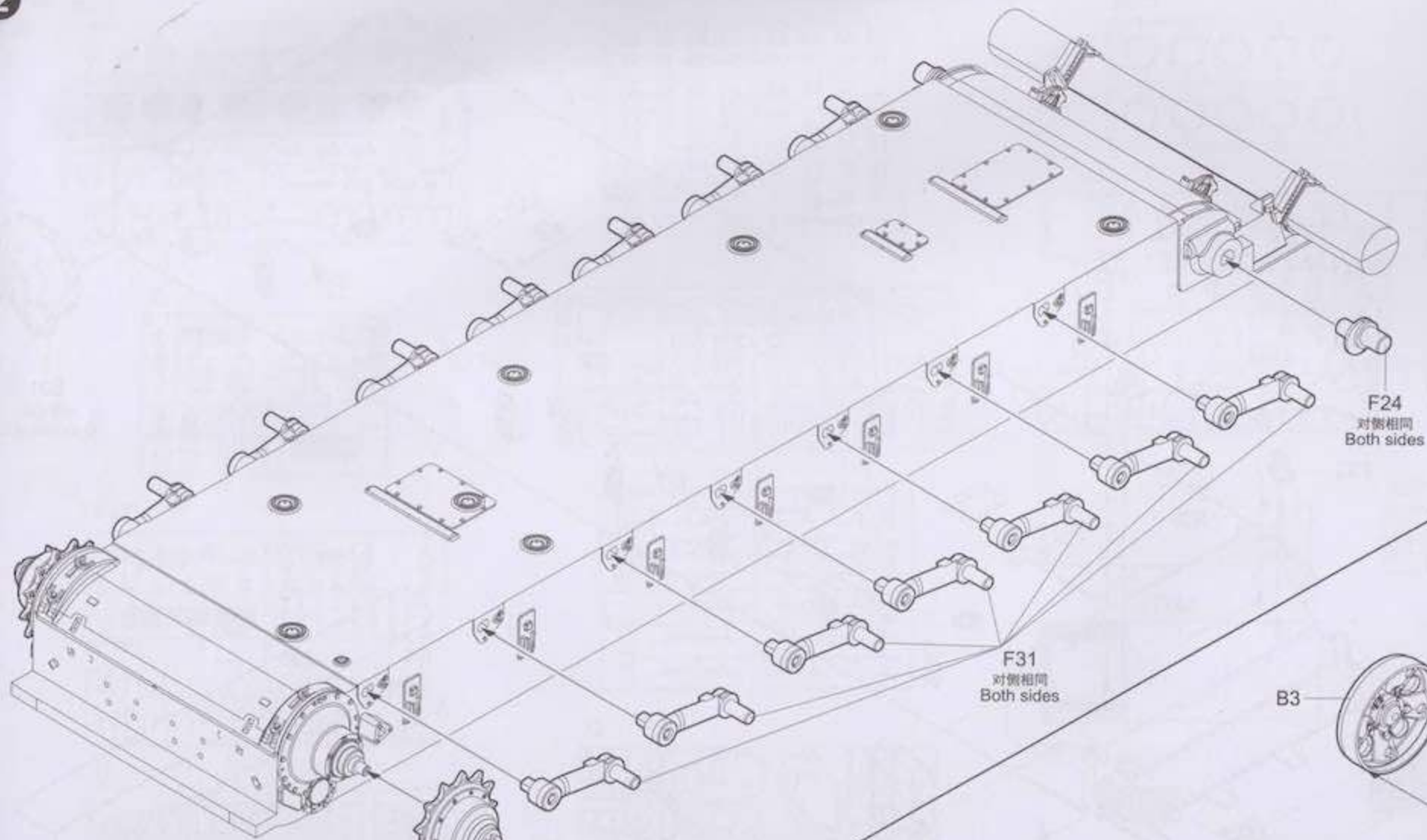
(水貼)
Decal



1



2

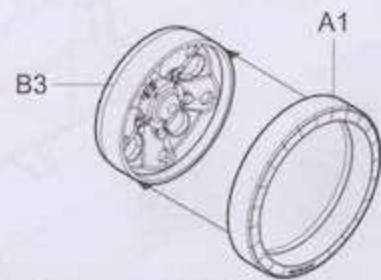


B8
对侧相同
Both sides

F31
对侧相同
Both sides

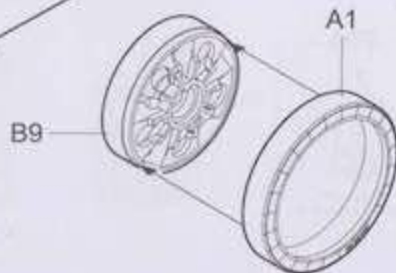
F24
对侧相同
Both sides

3



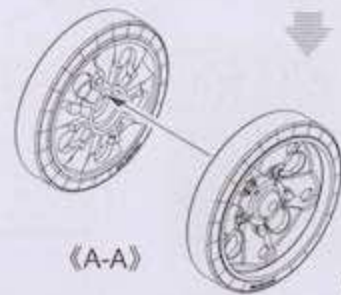
B3

A1



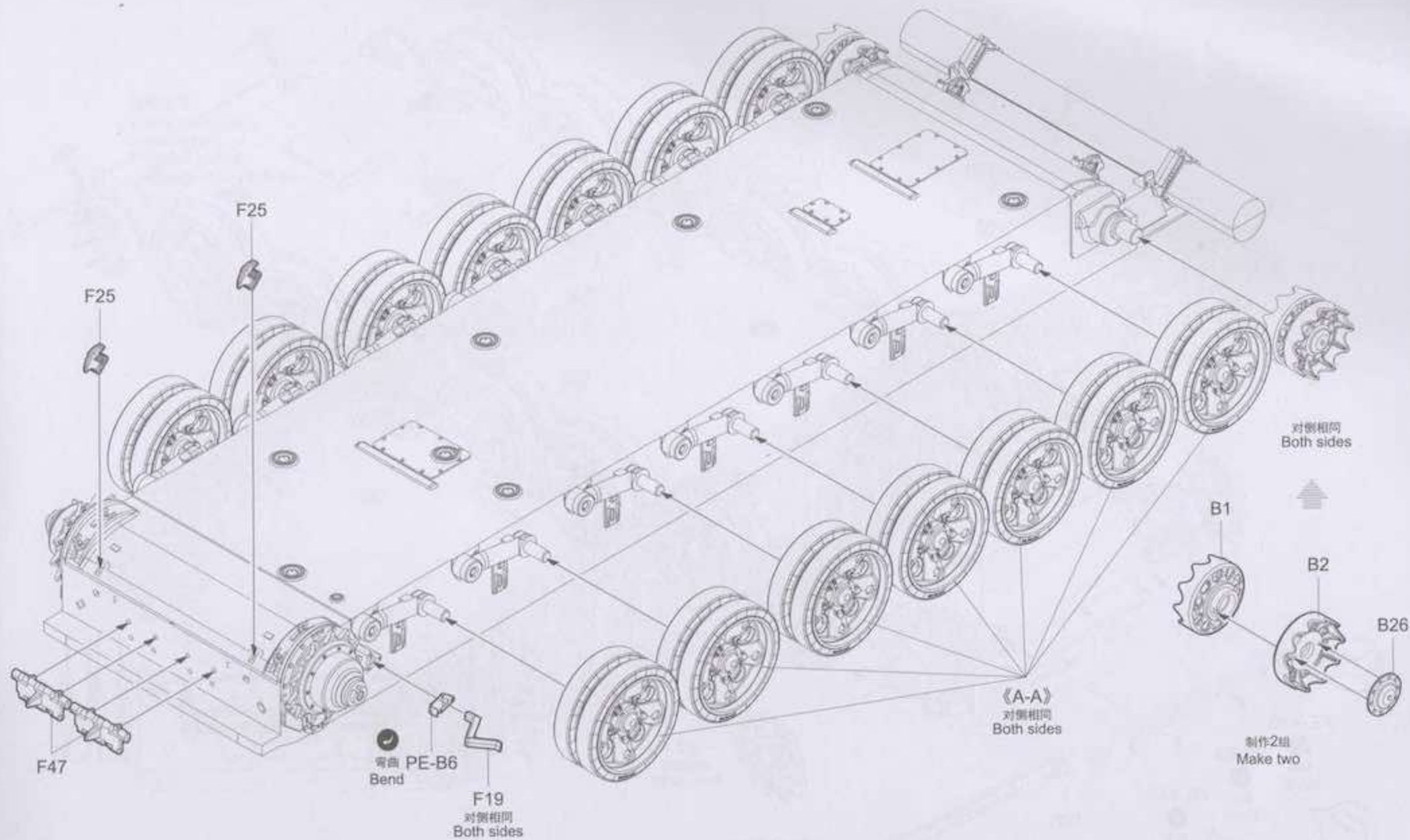
A1

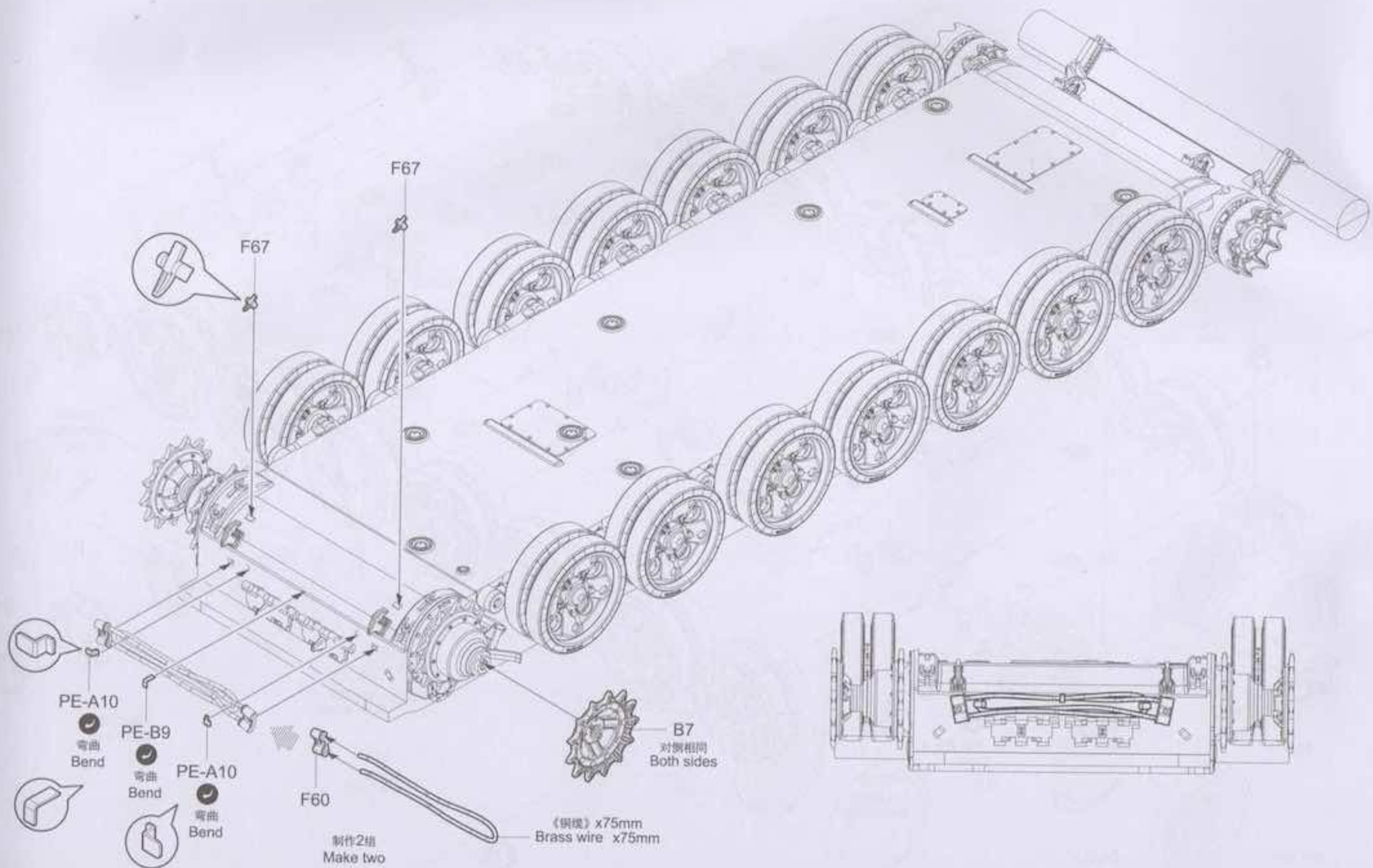
B9



《A-A》

制作14组
Make fourteen

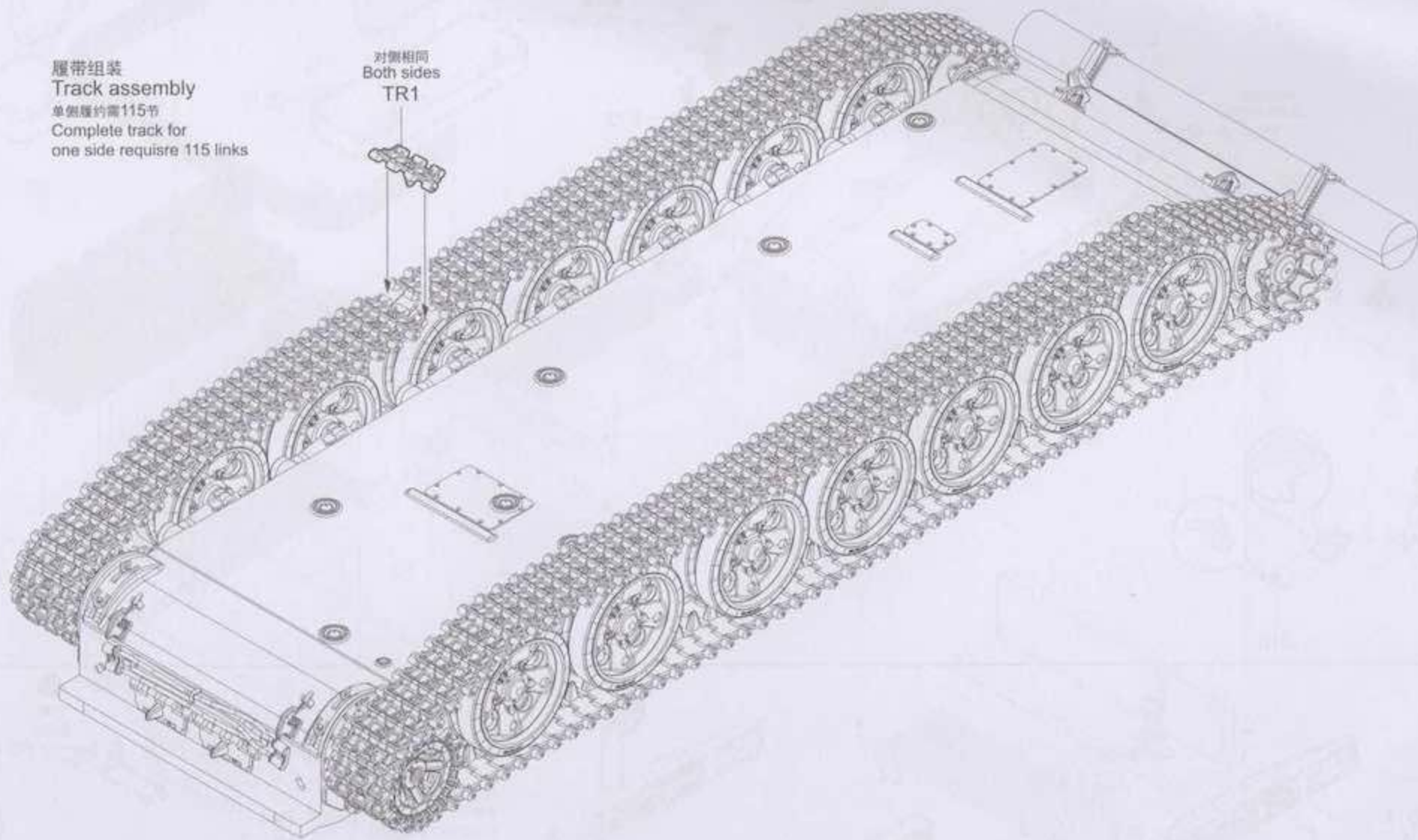




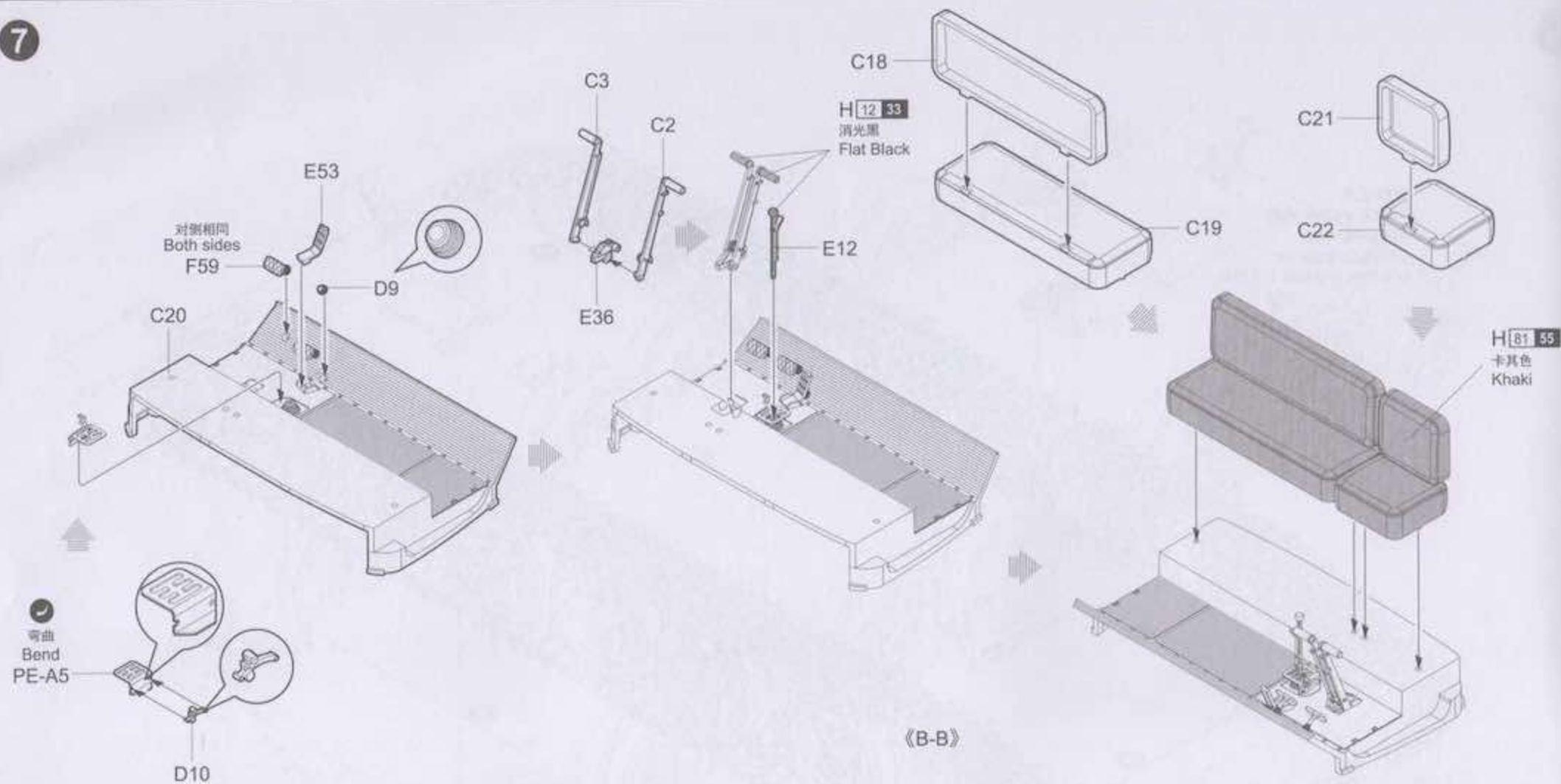
6

履带组装
Track assembly
单侧履带需115节
Complete track for
one side require 115 links

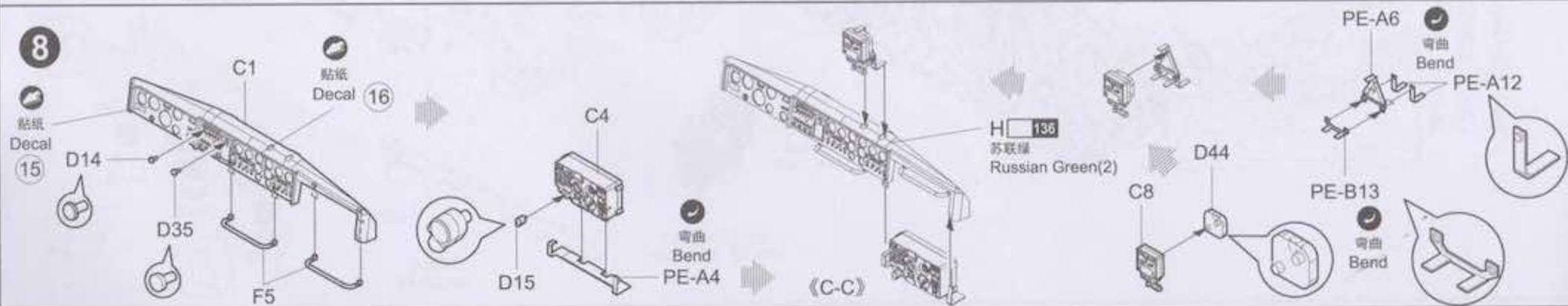
对侧相同
Both sides
TR1



7

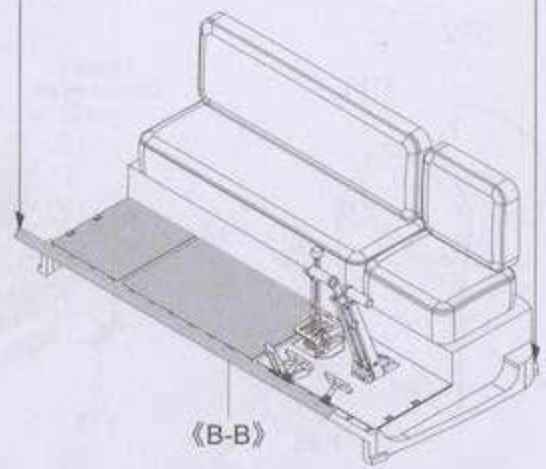
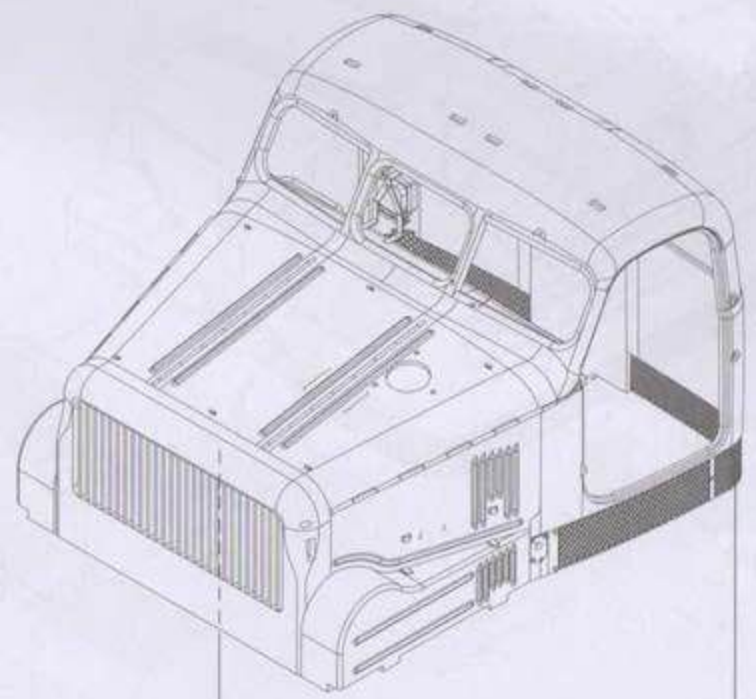
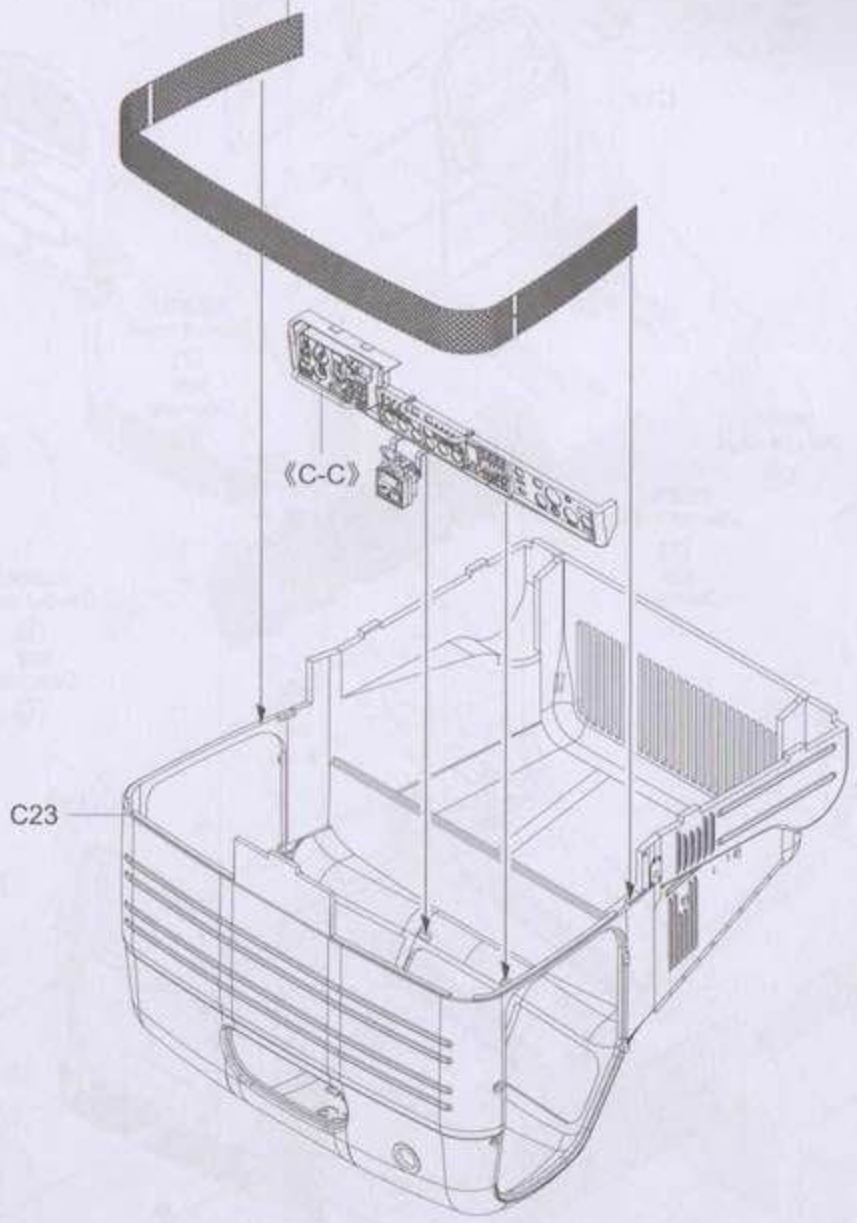


8

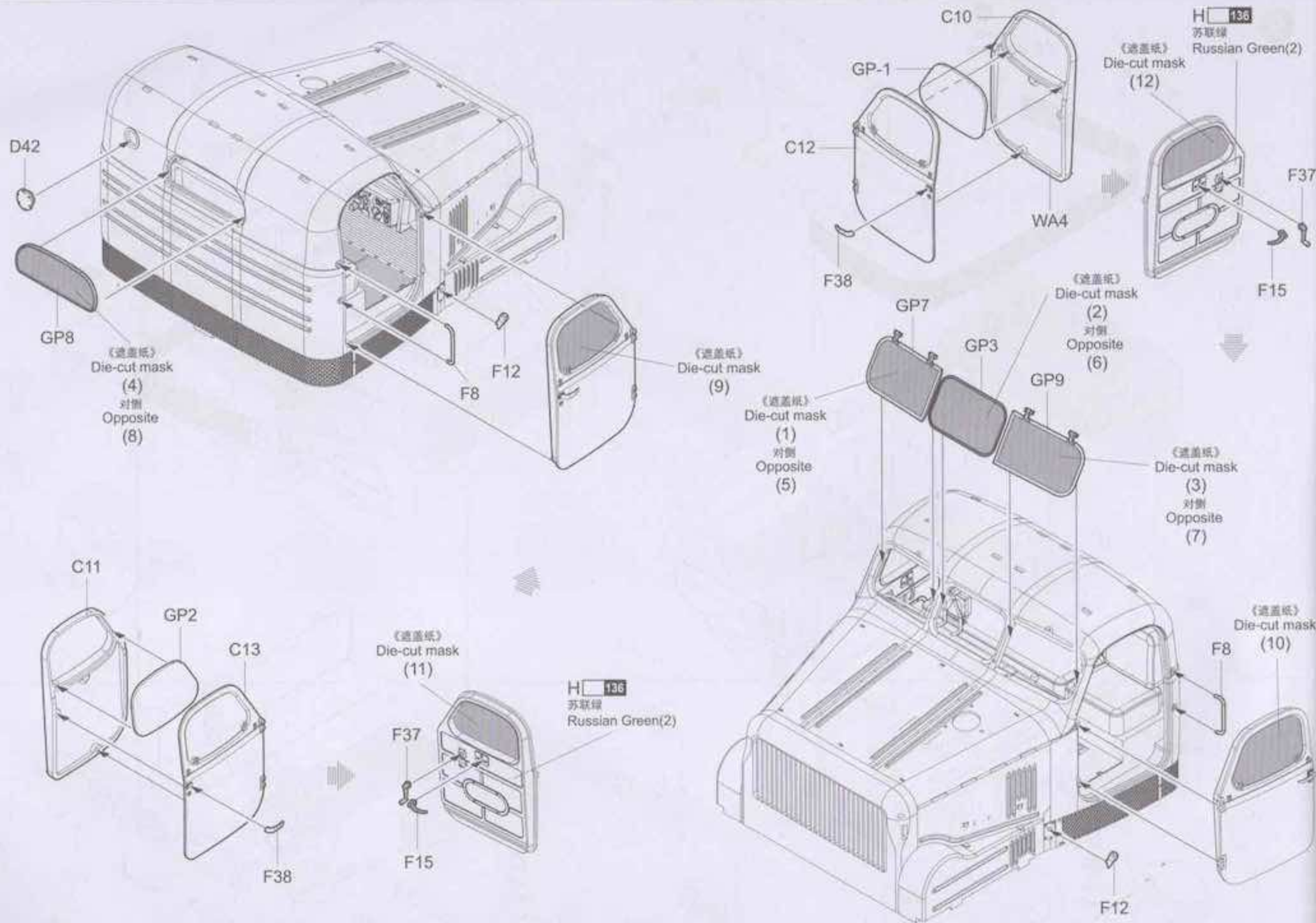


9

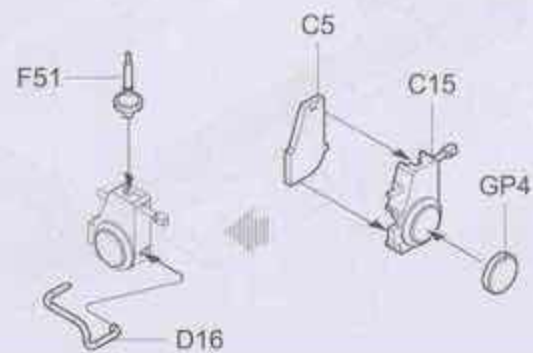
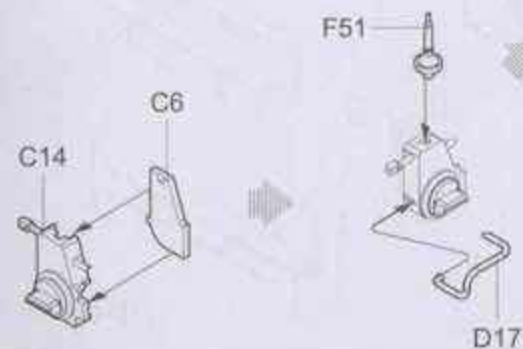
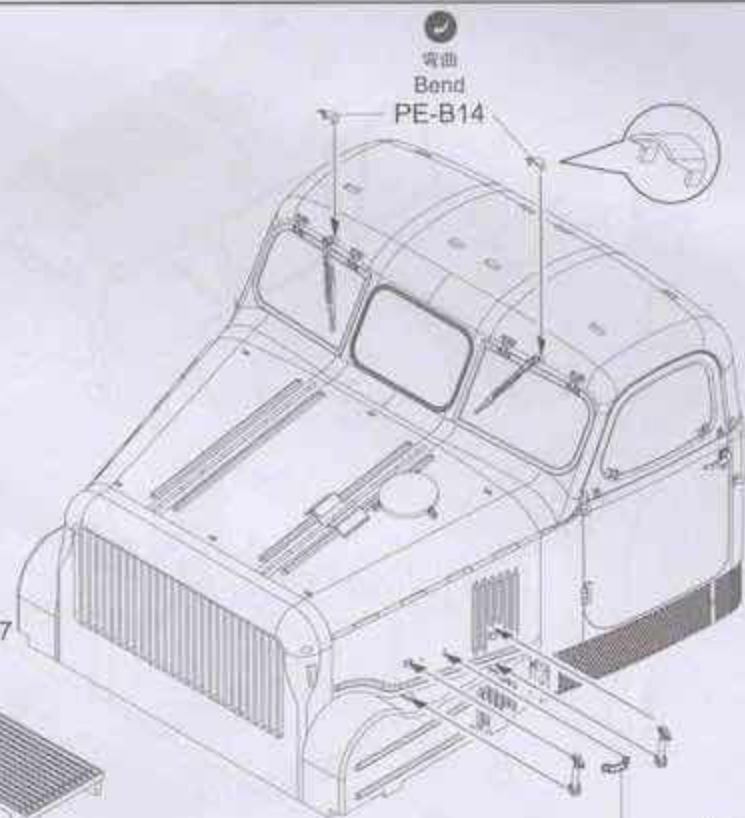
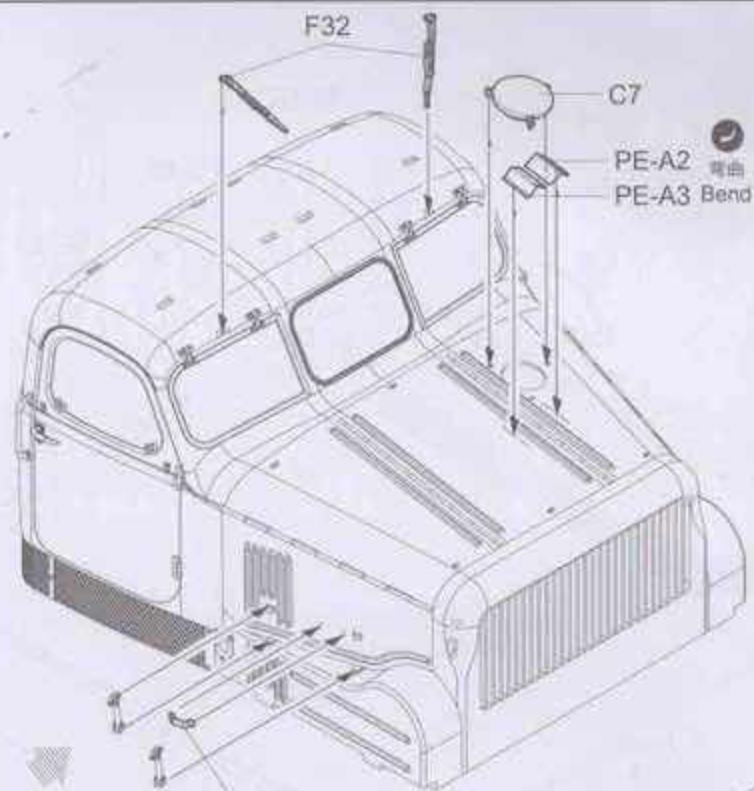
PE-A1 Bend
弯曲



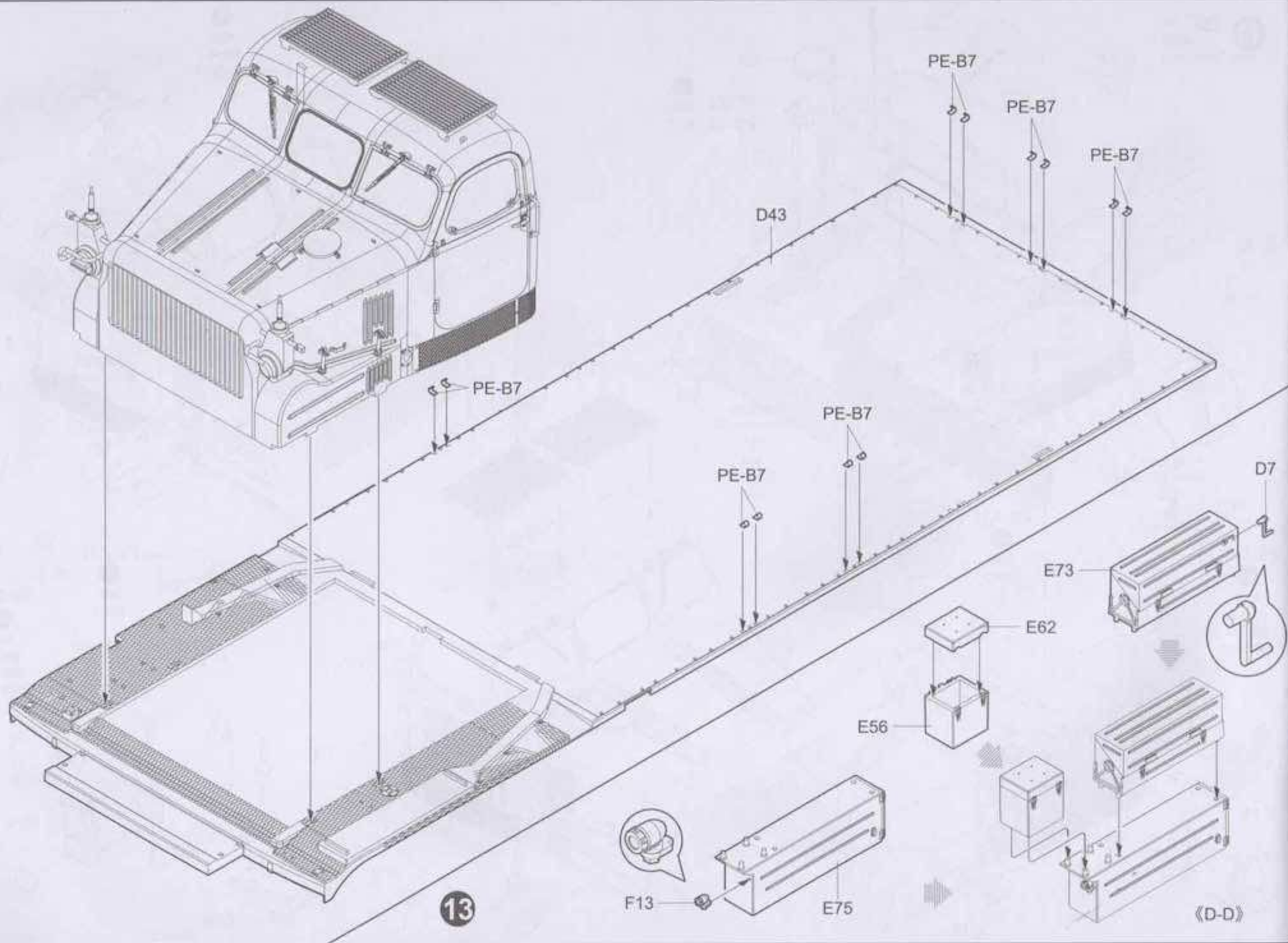
10



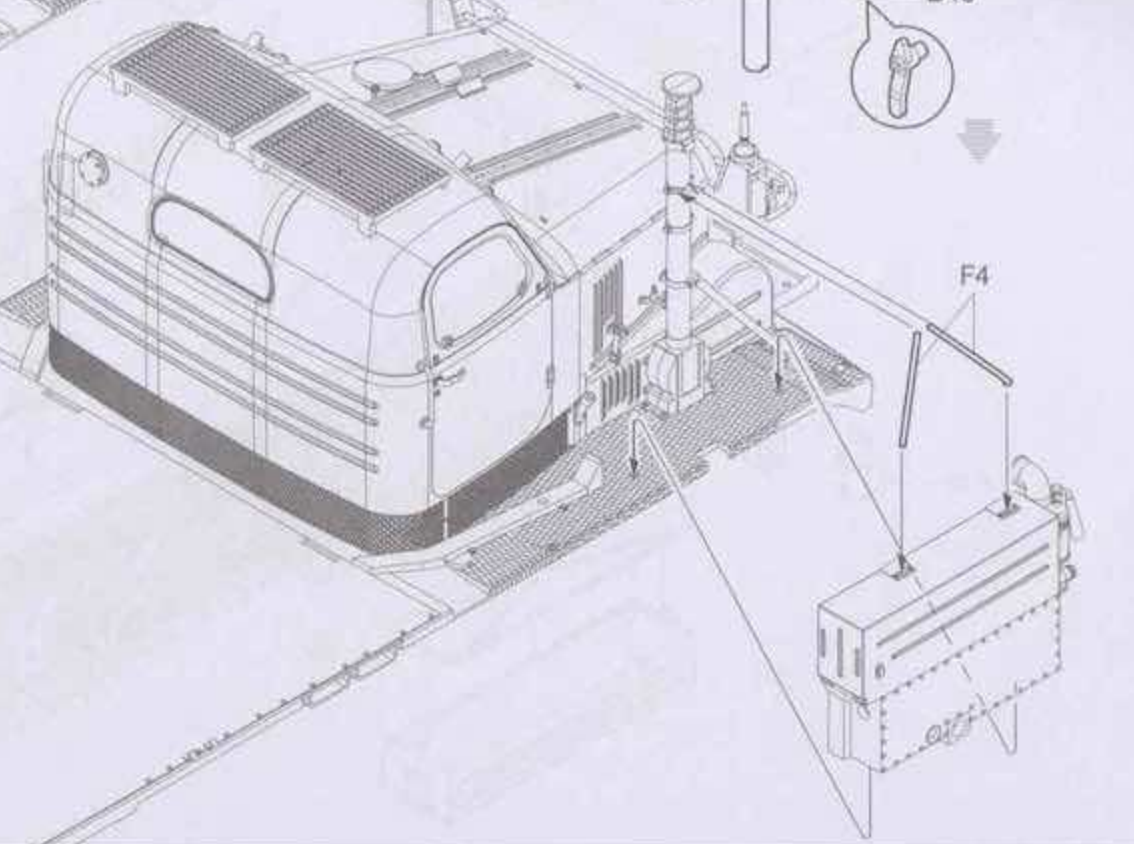
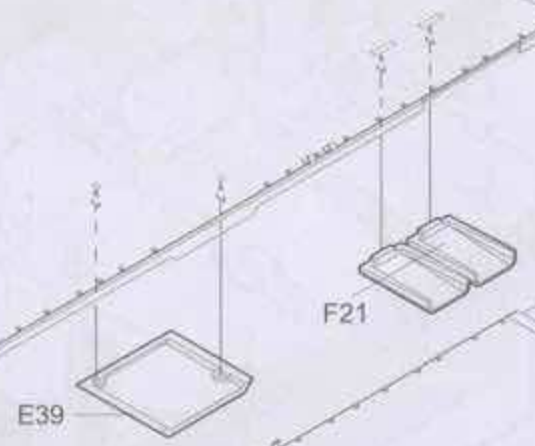
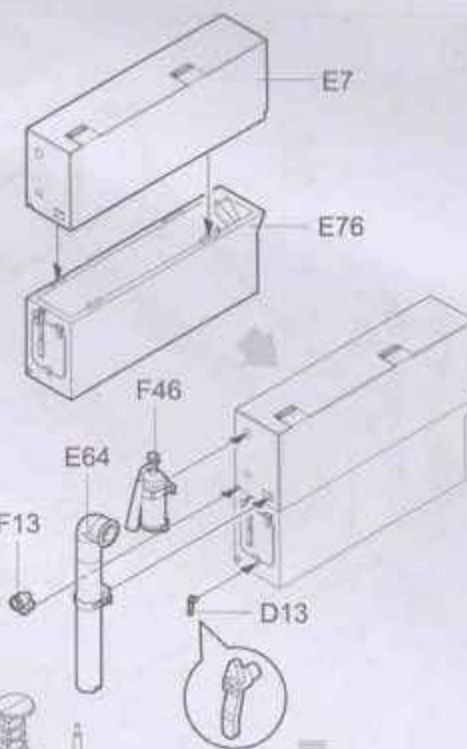
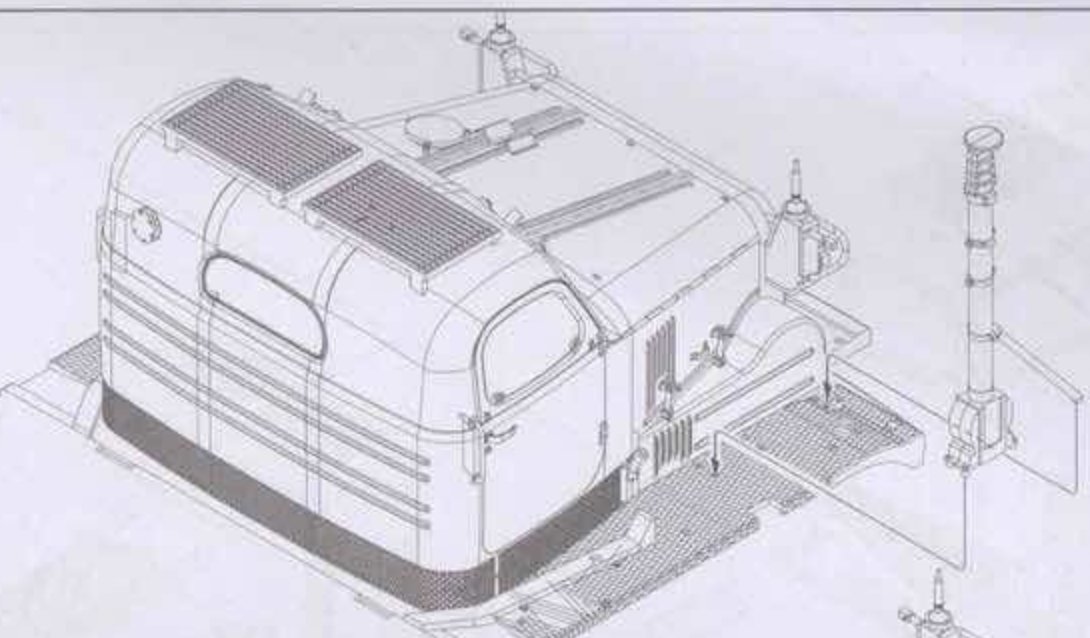
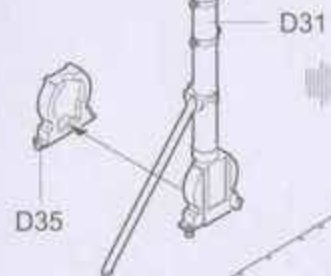
11

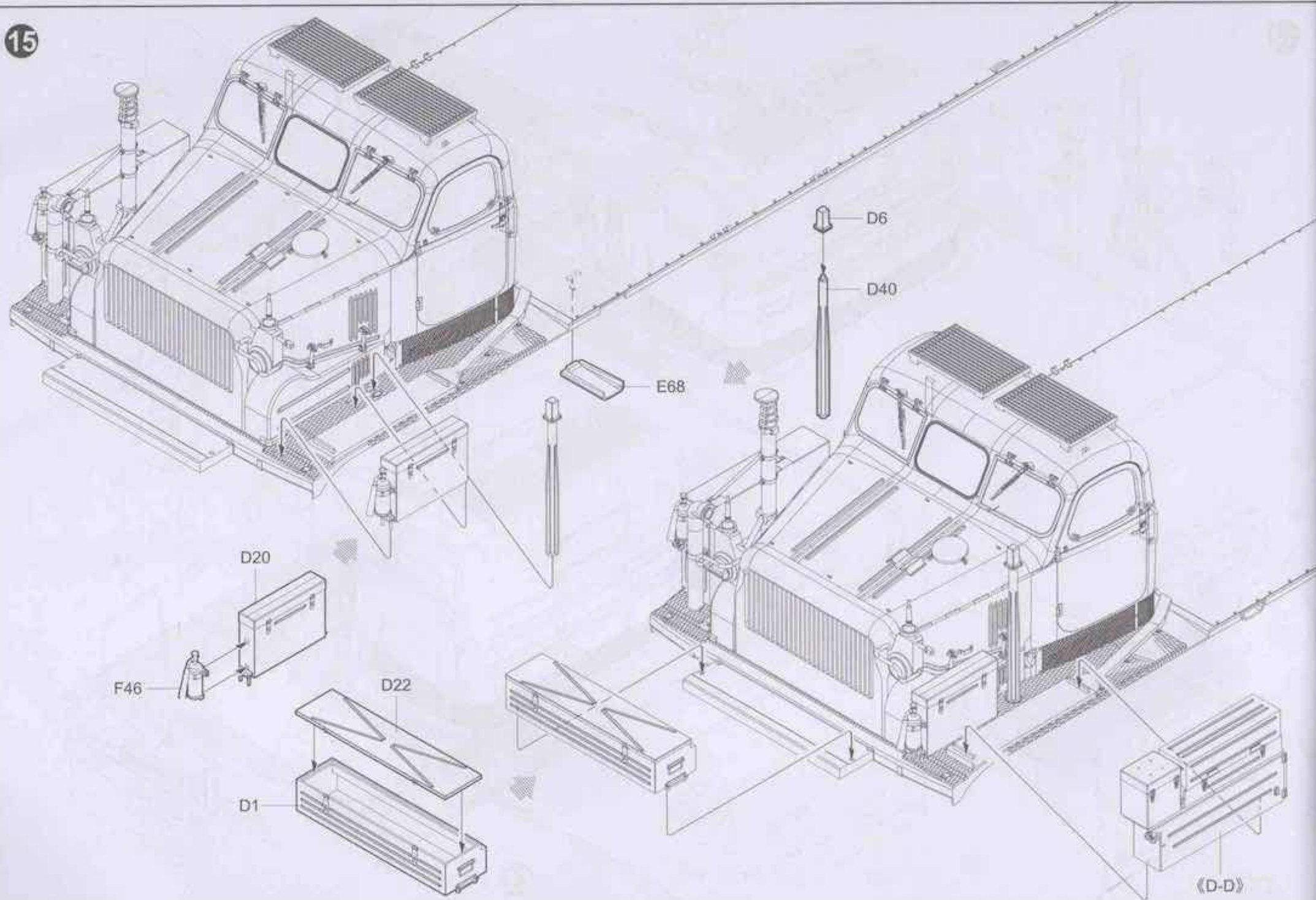


12

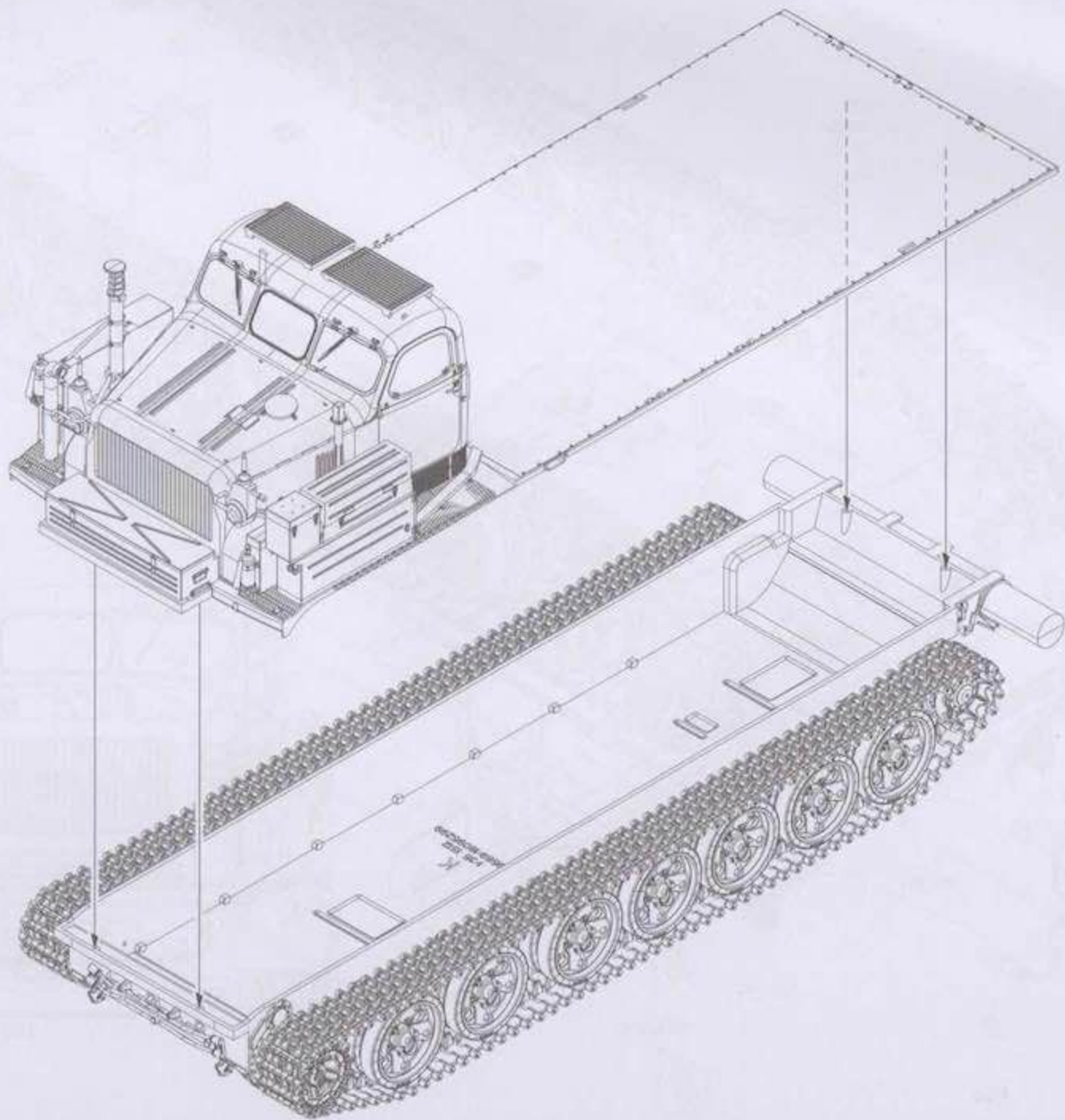


14

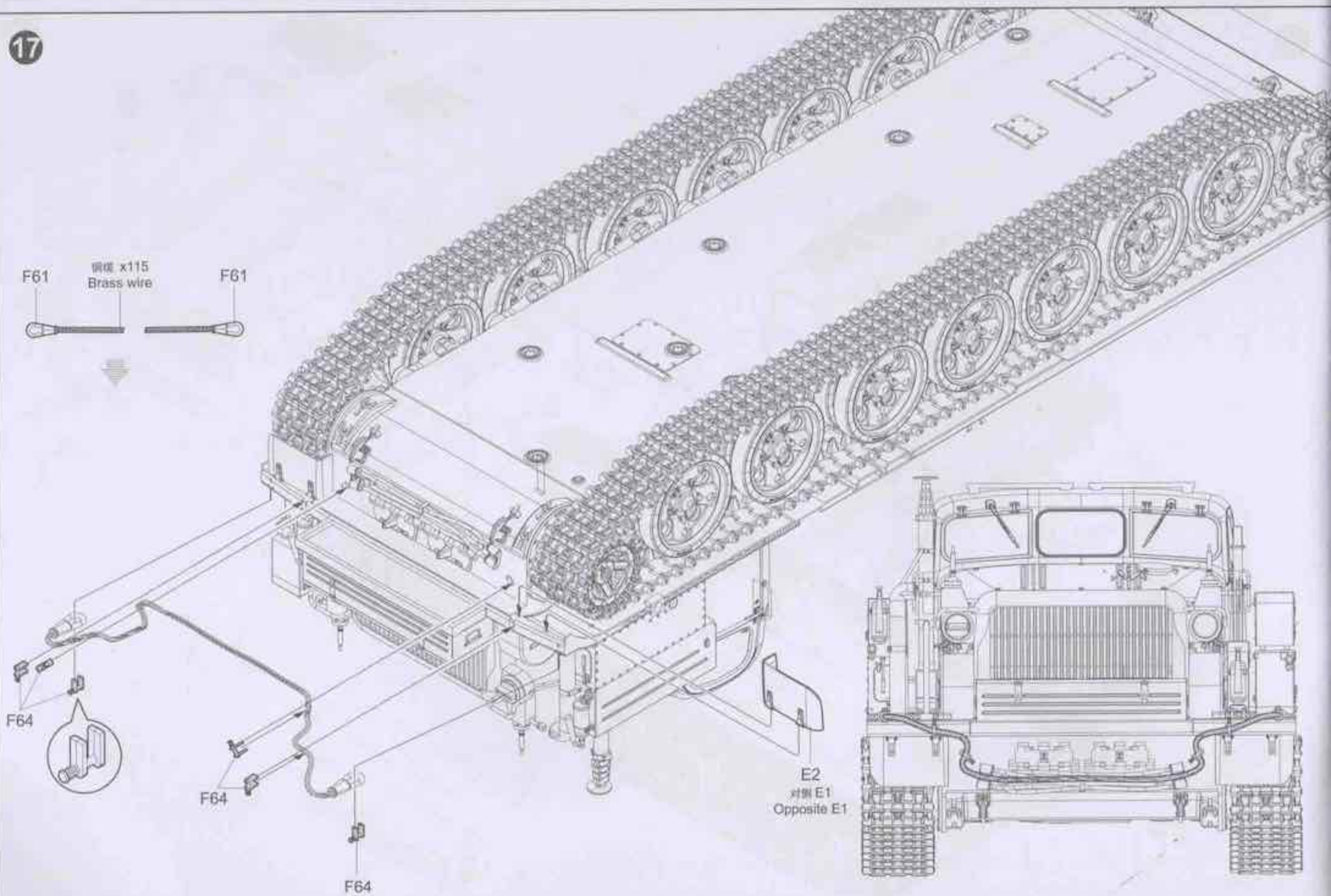


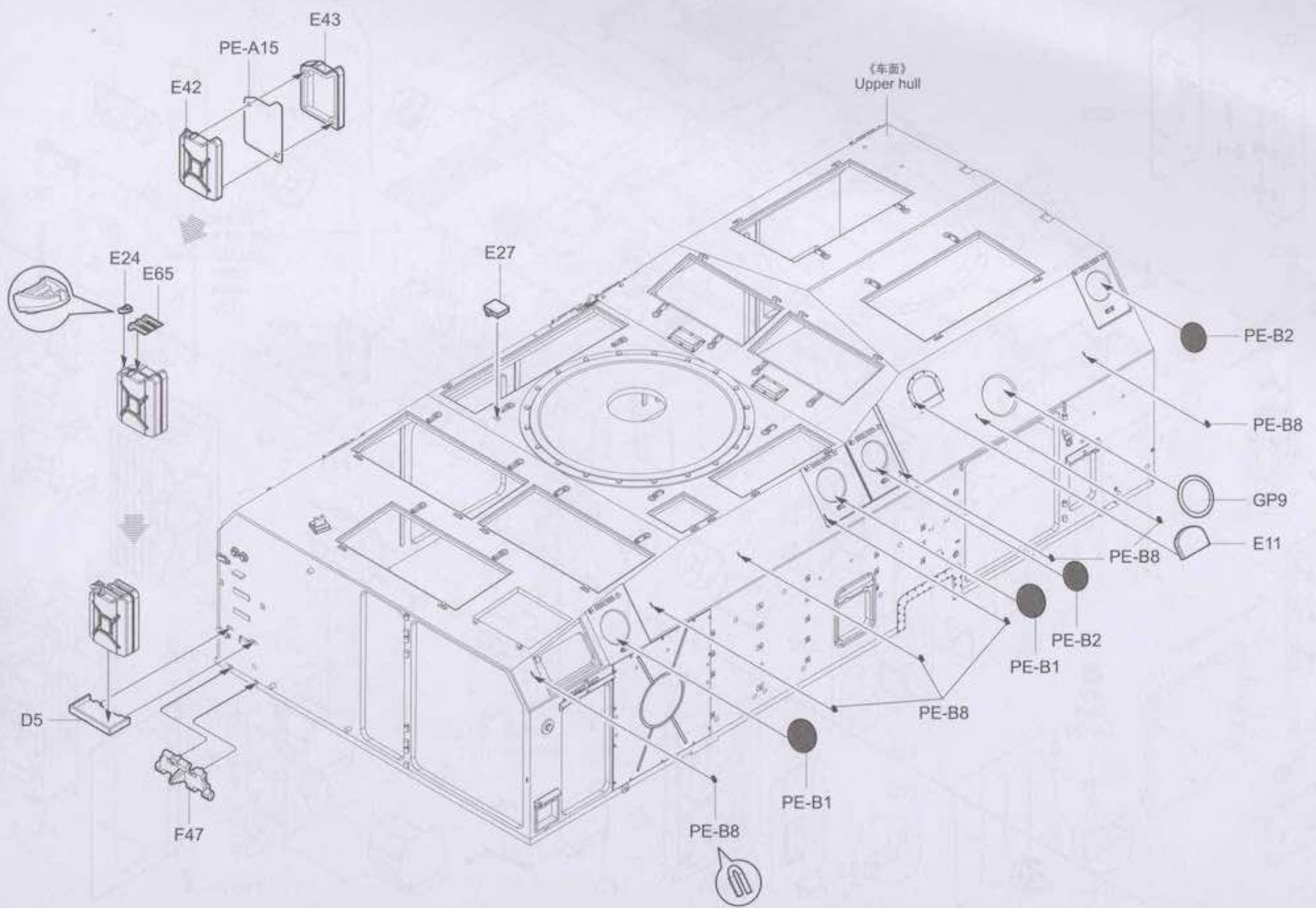


16

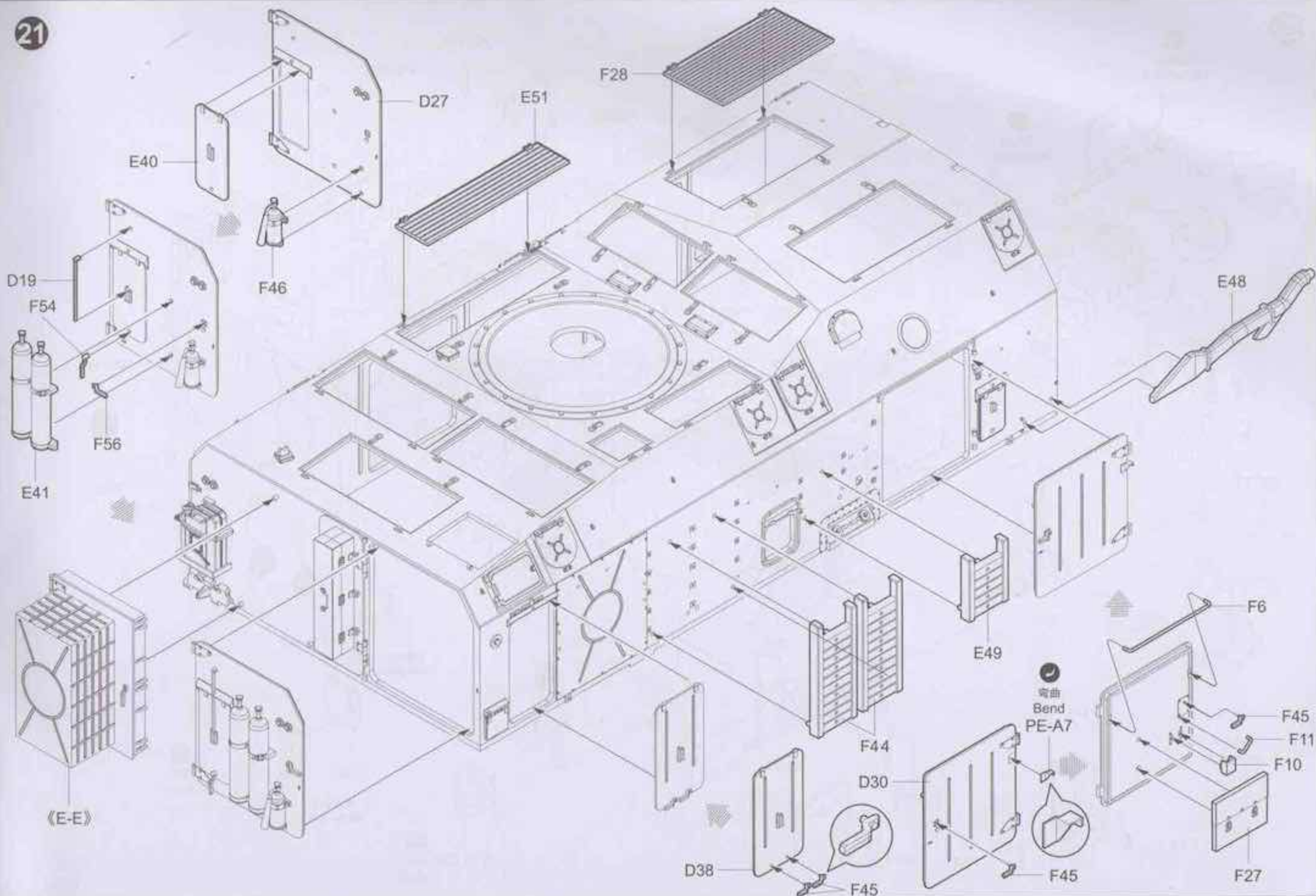


17

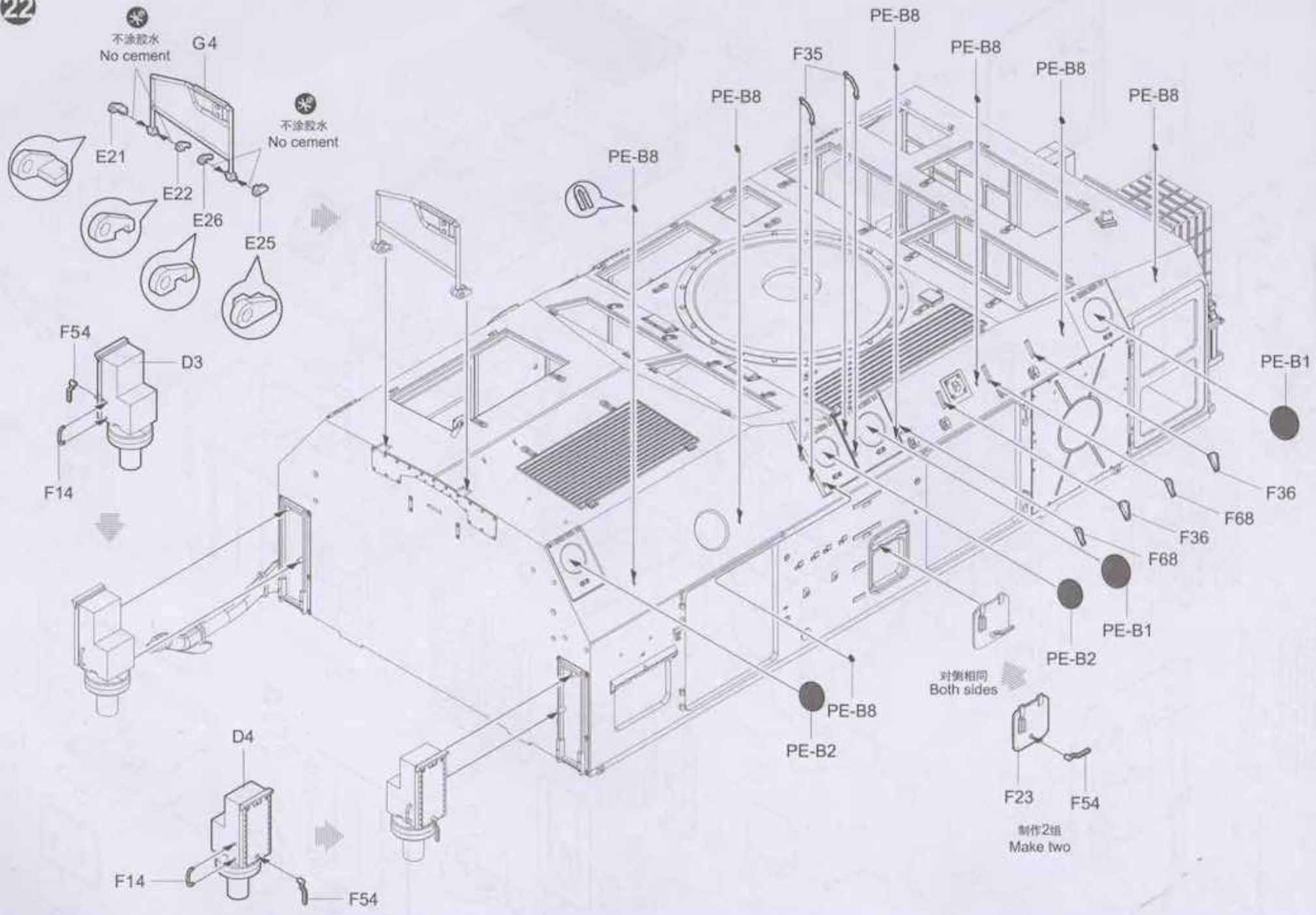


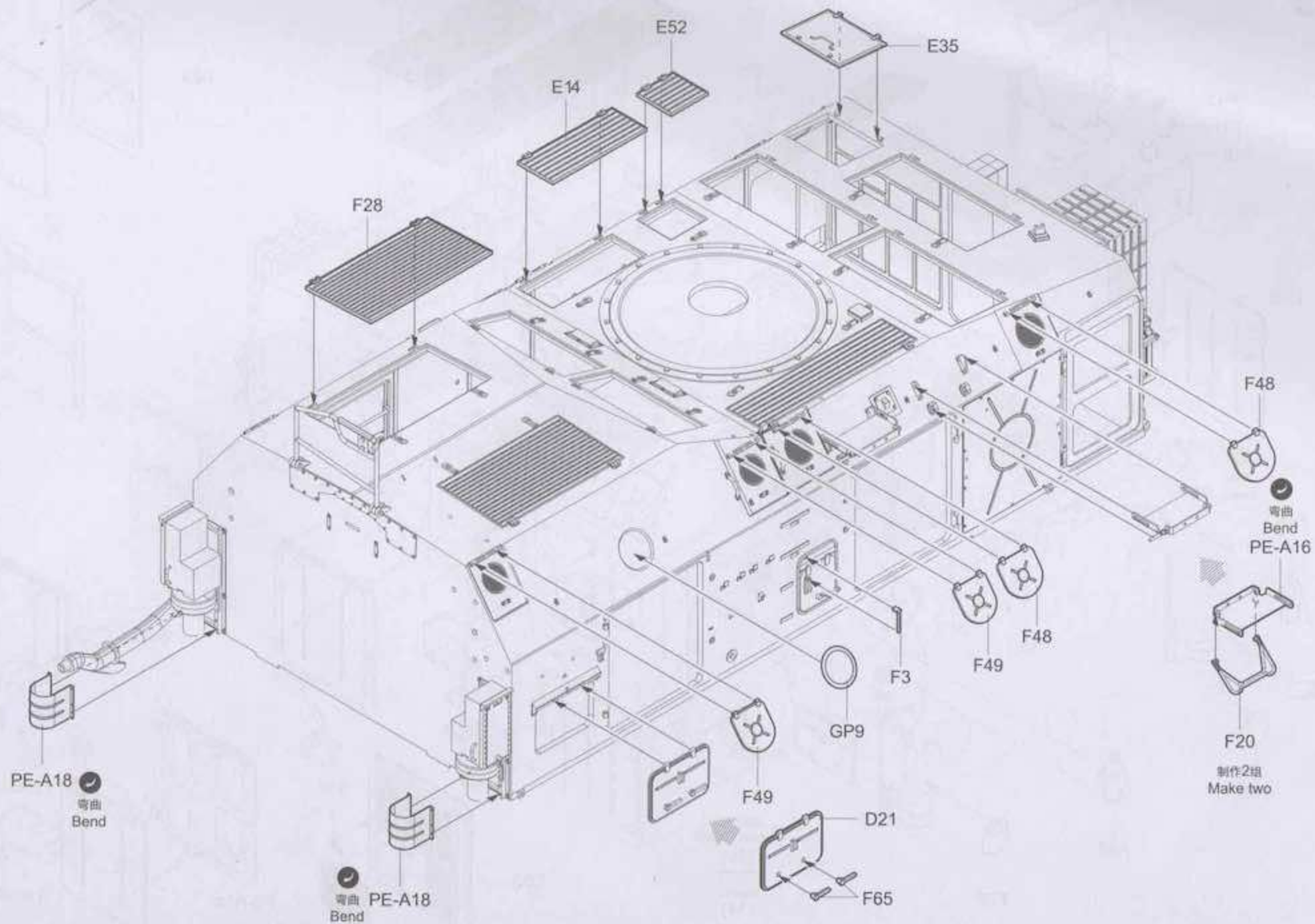


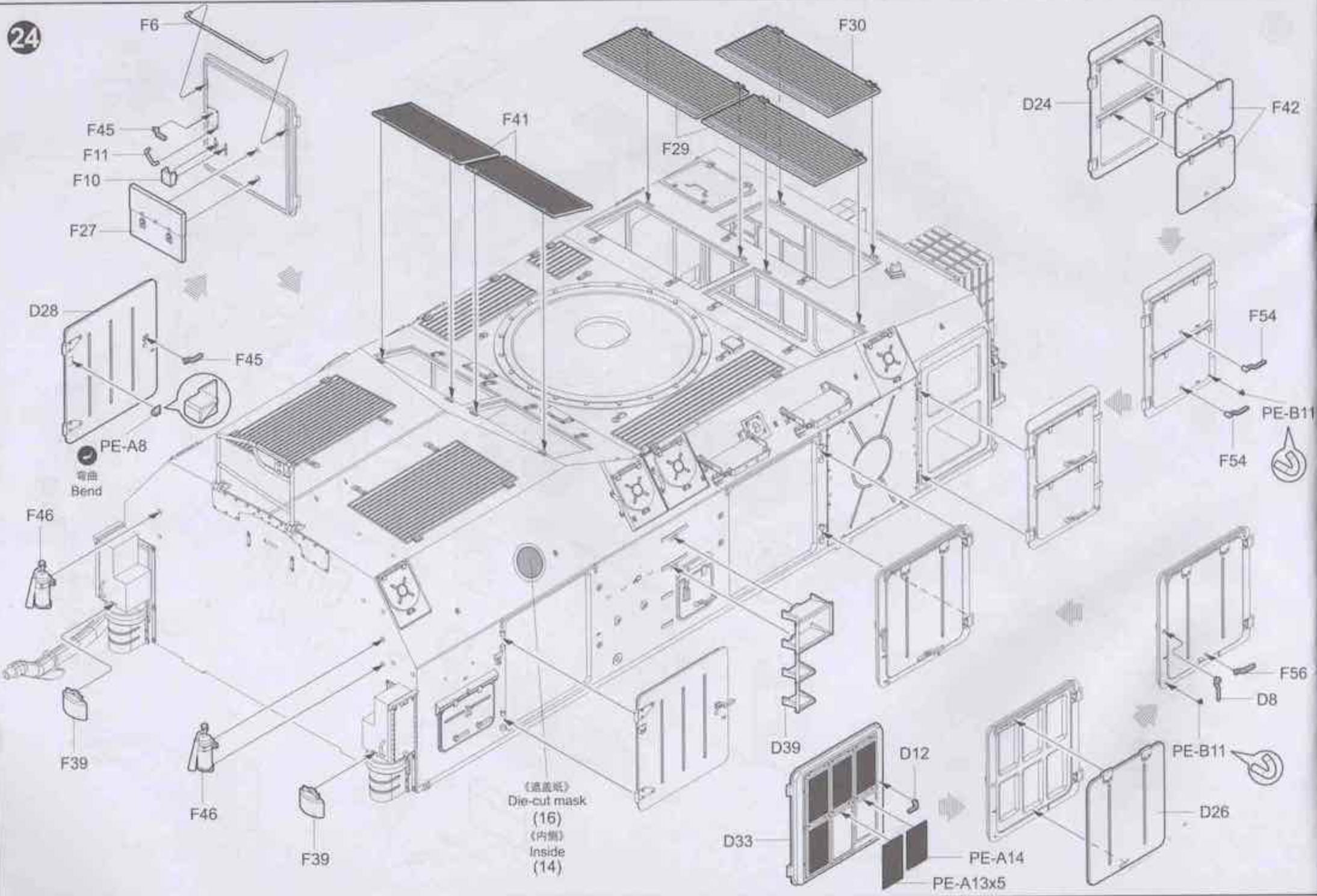
21

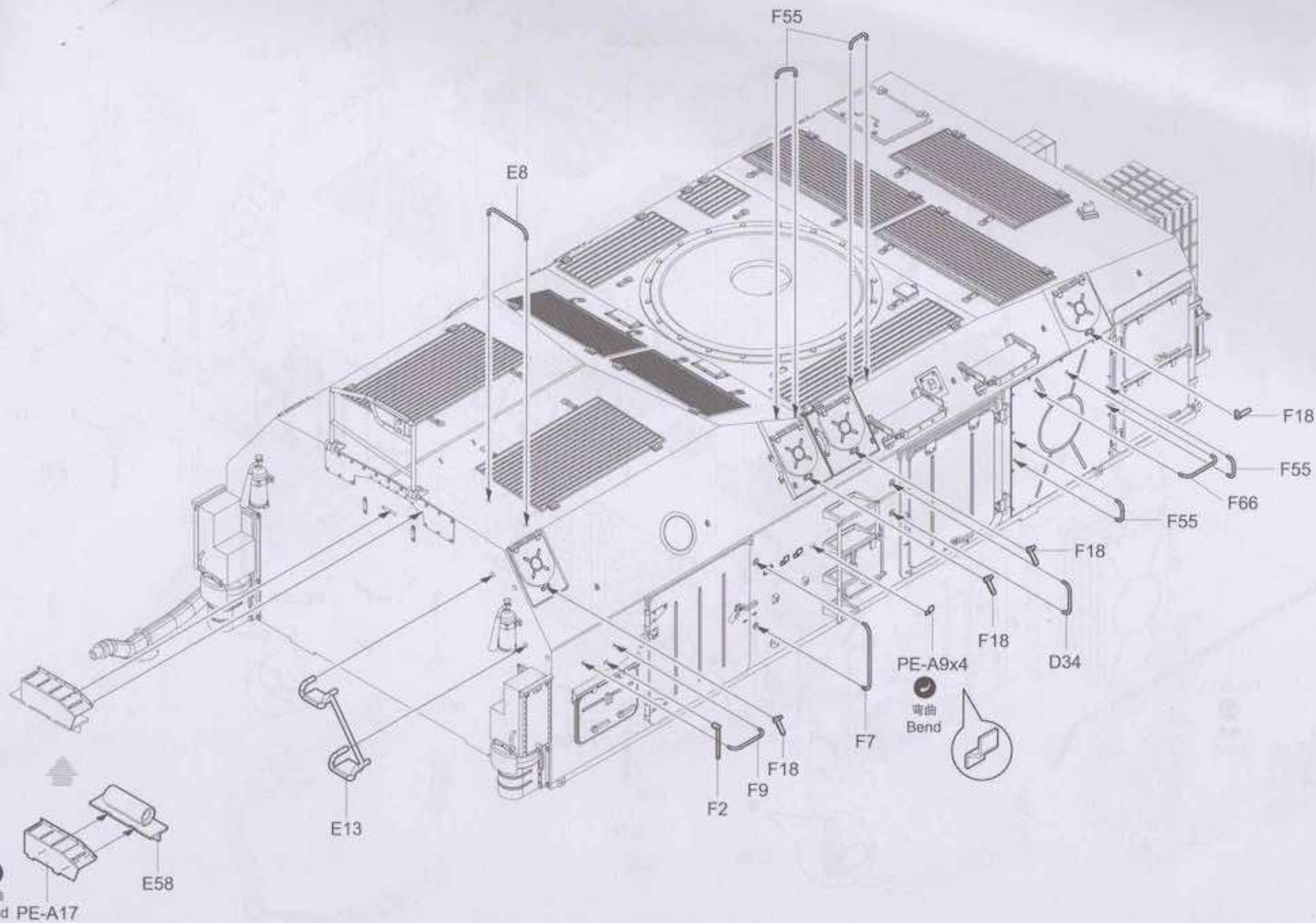


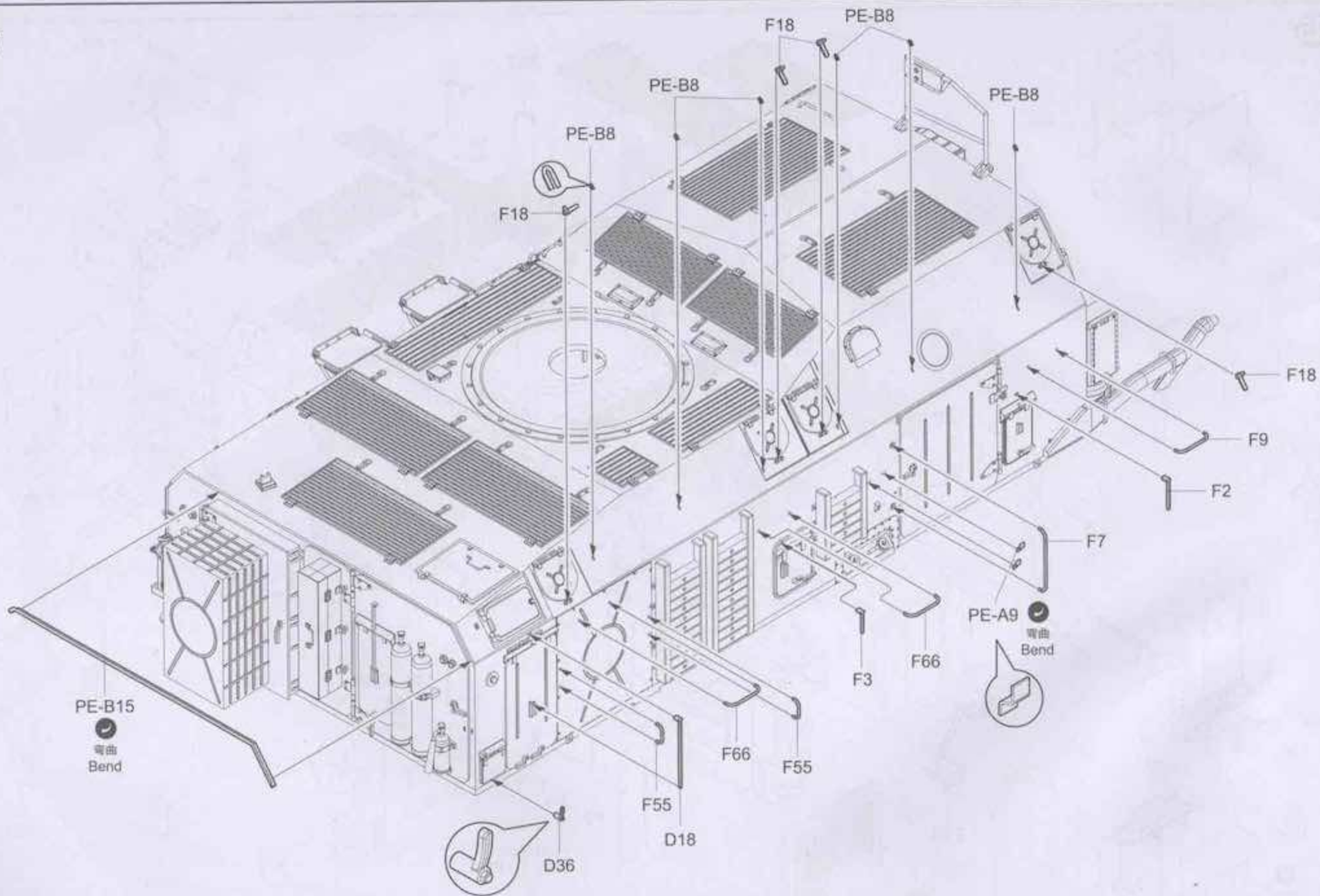
22

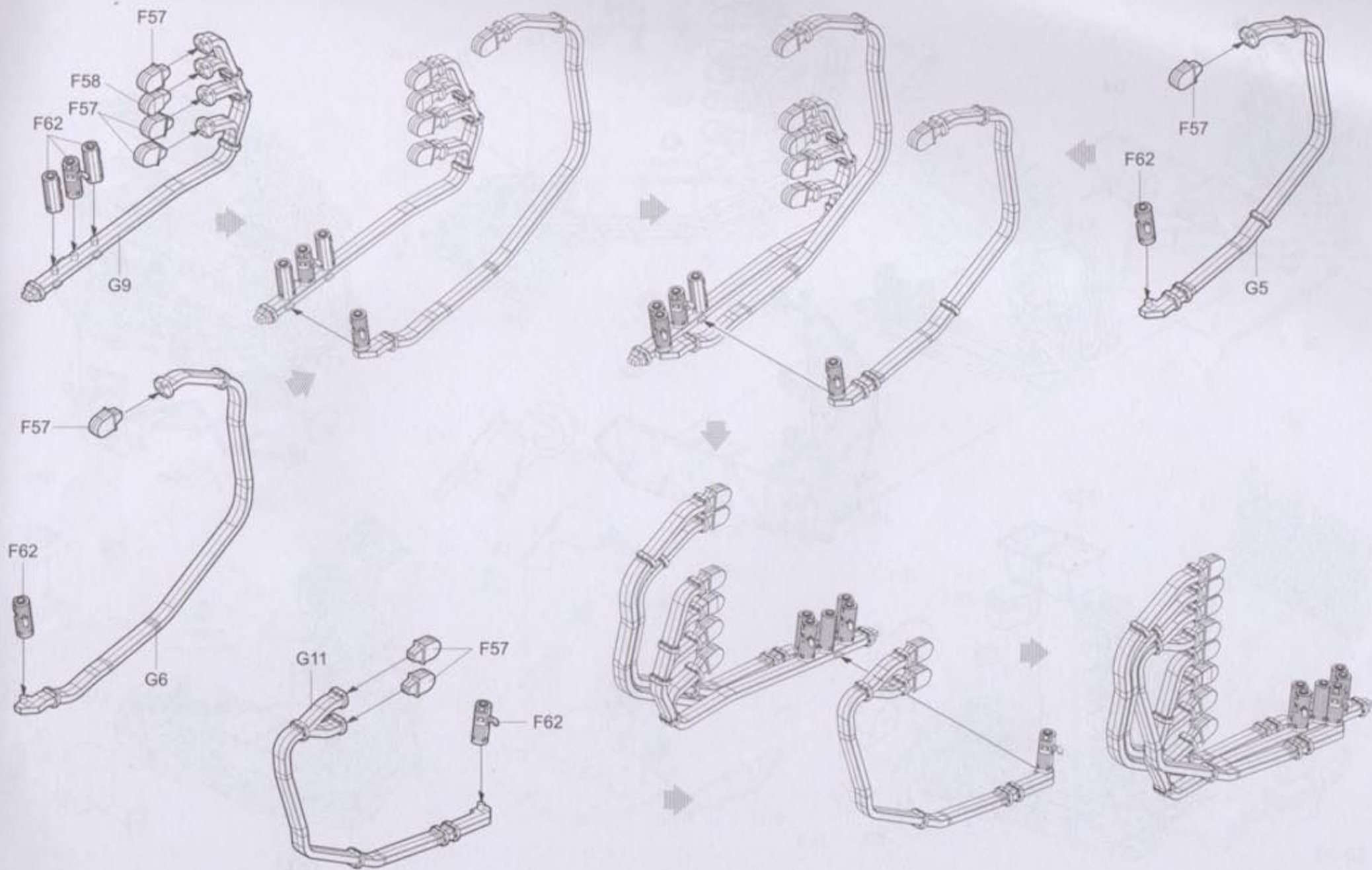


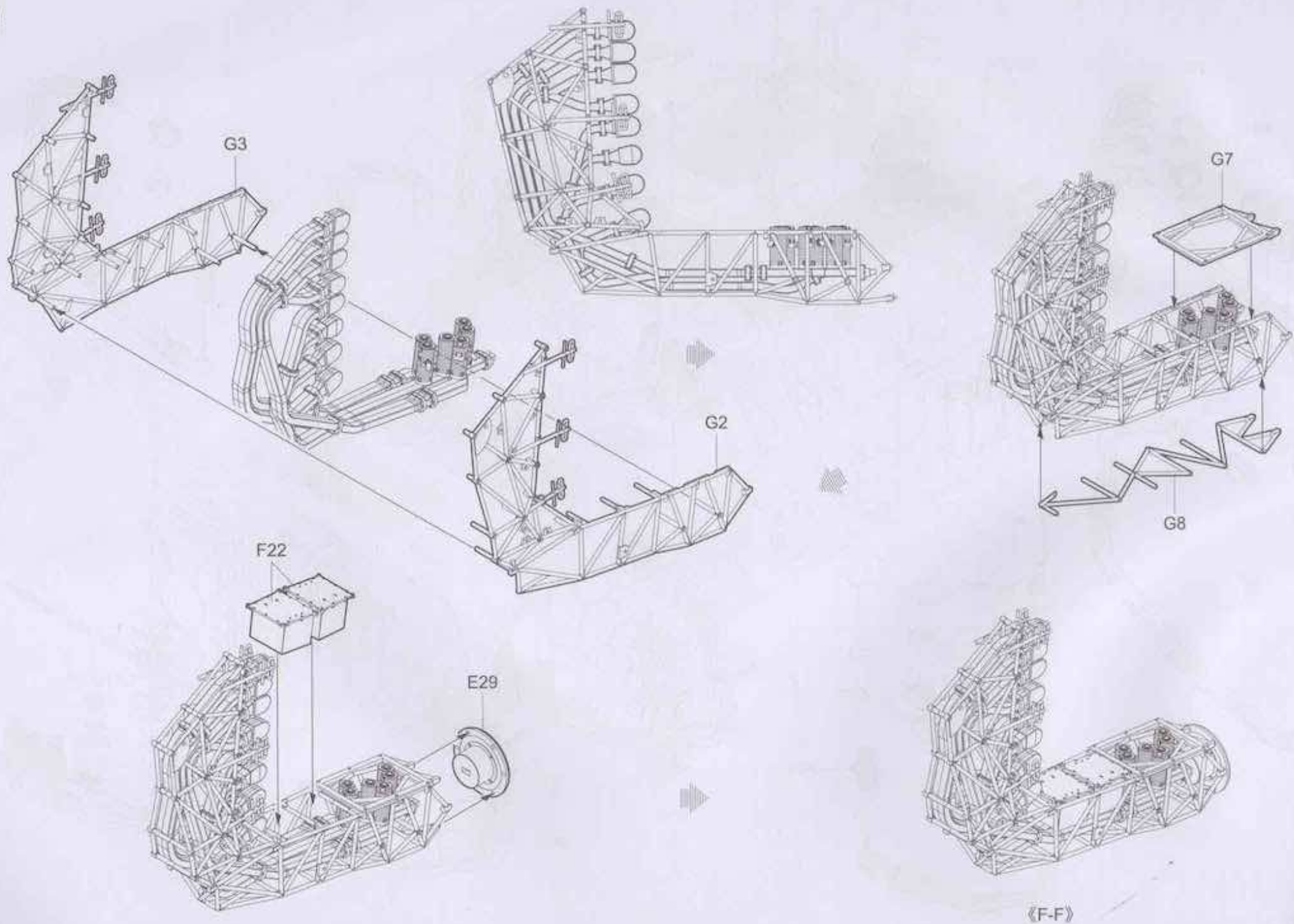


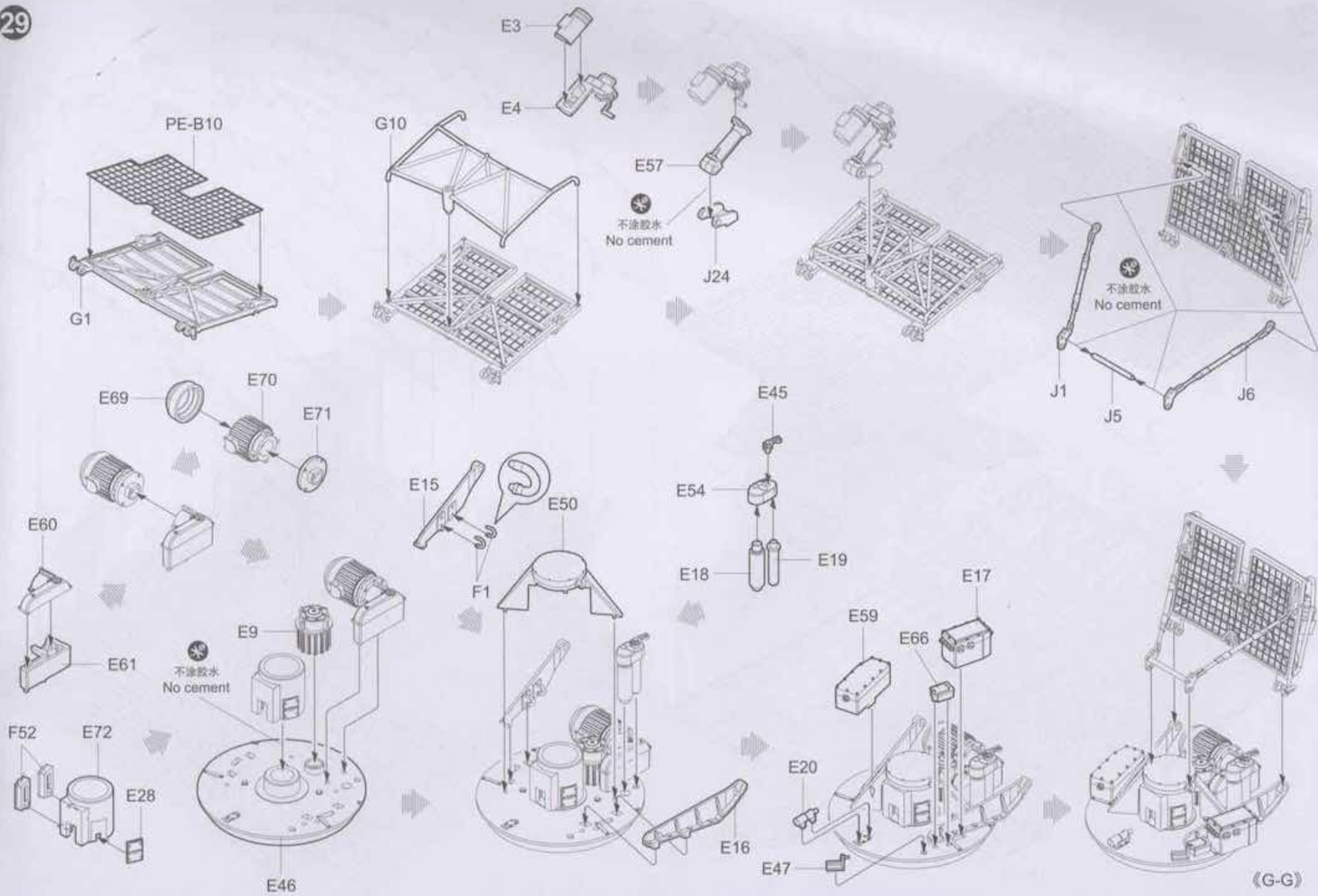


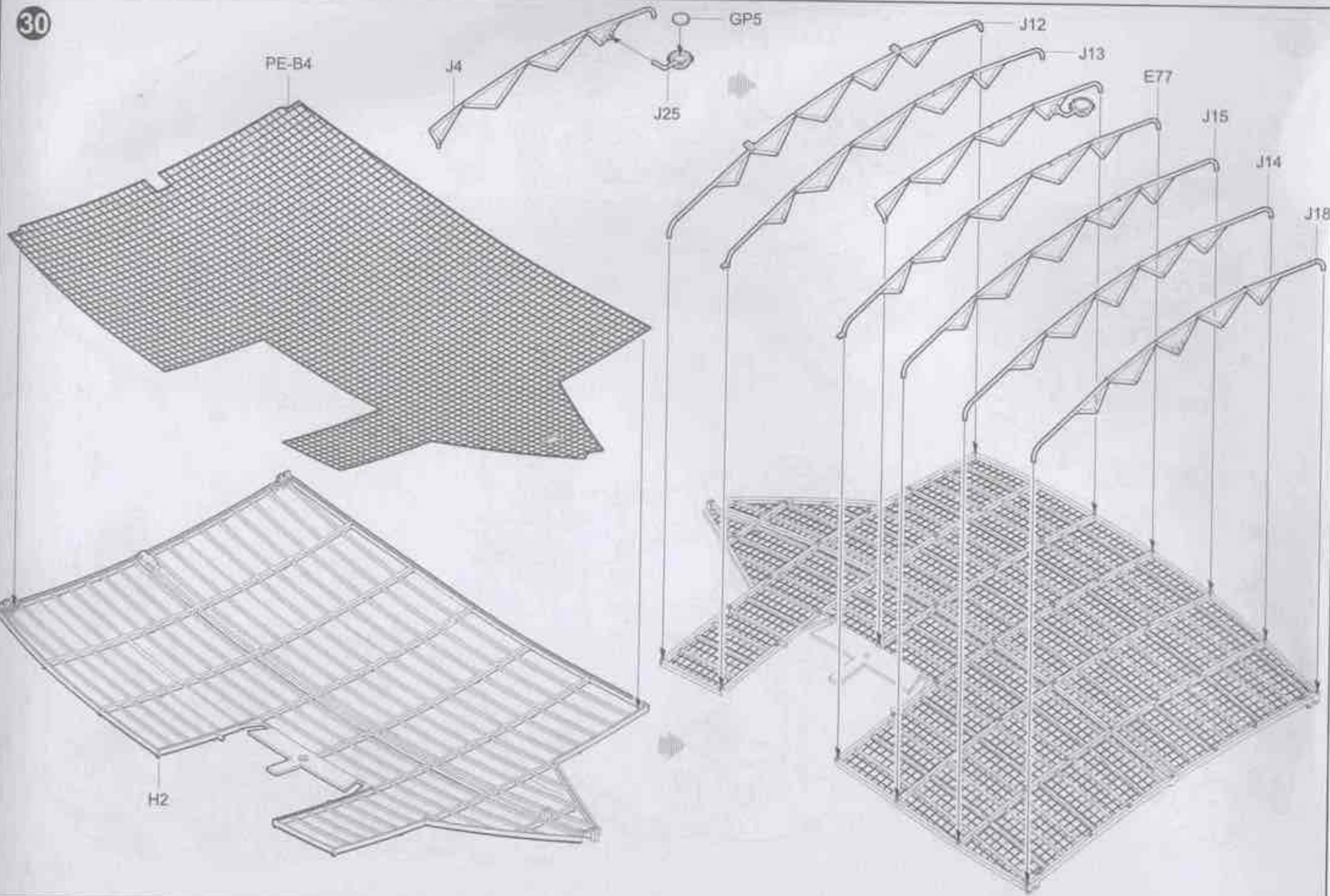




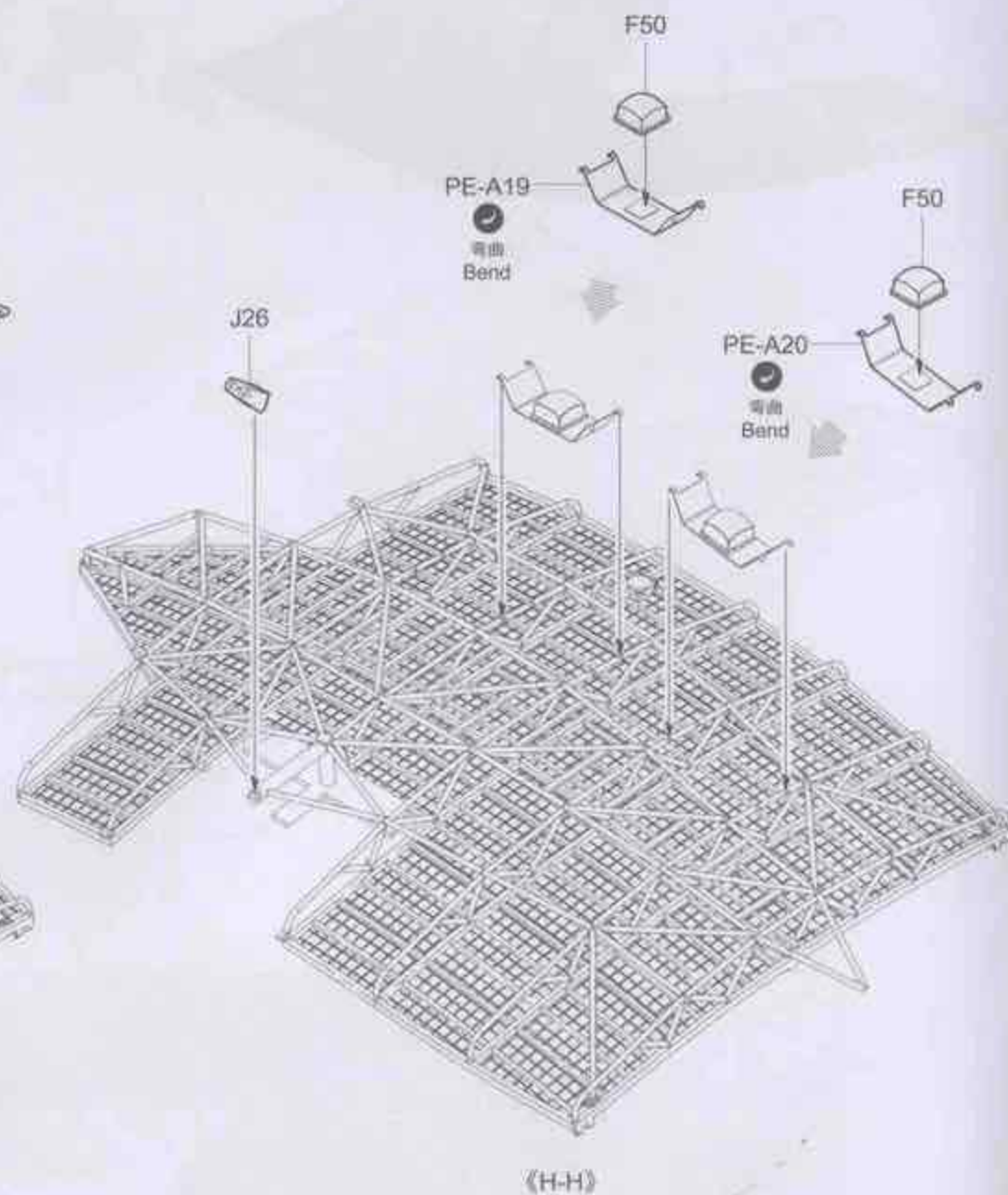
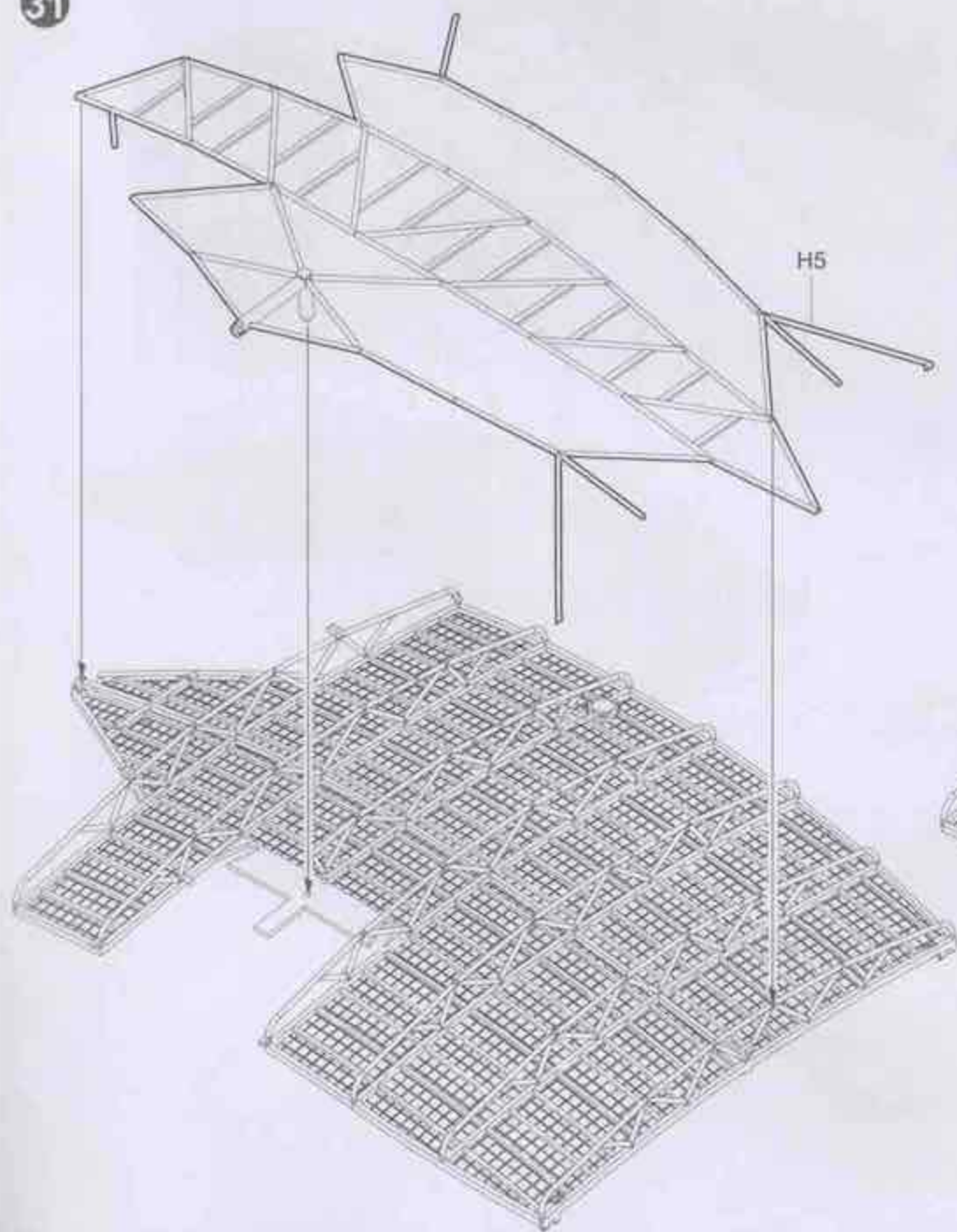




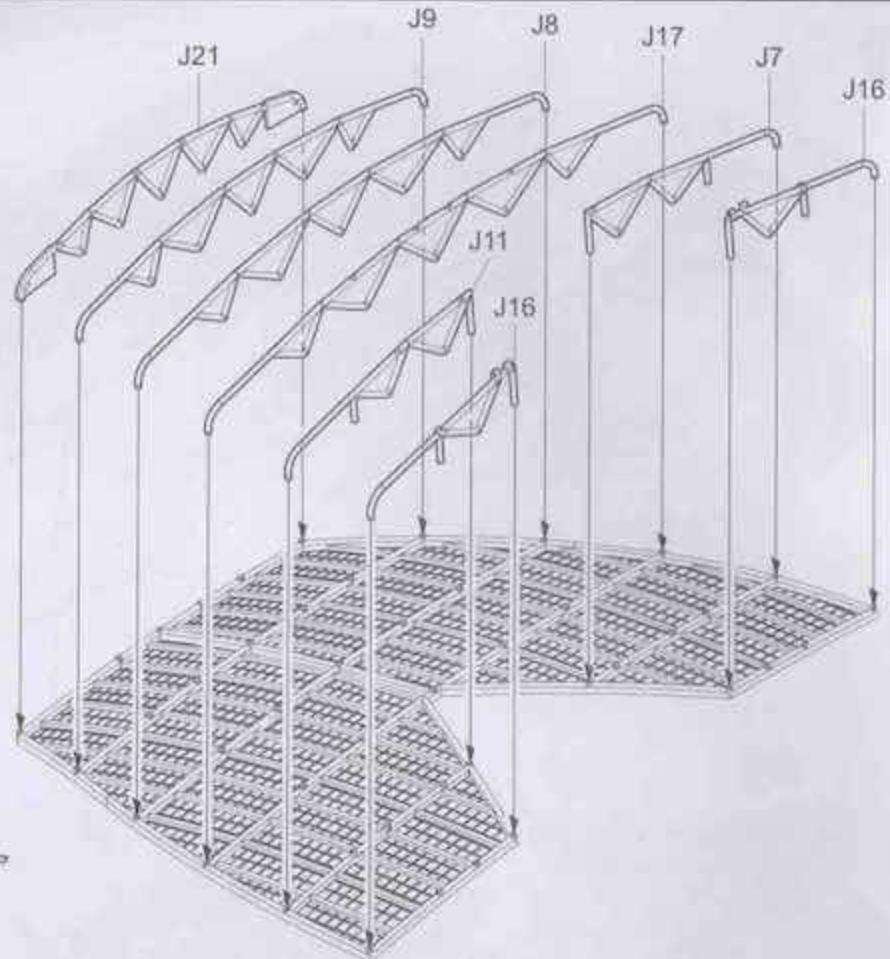
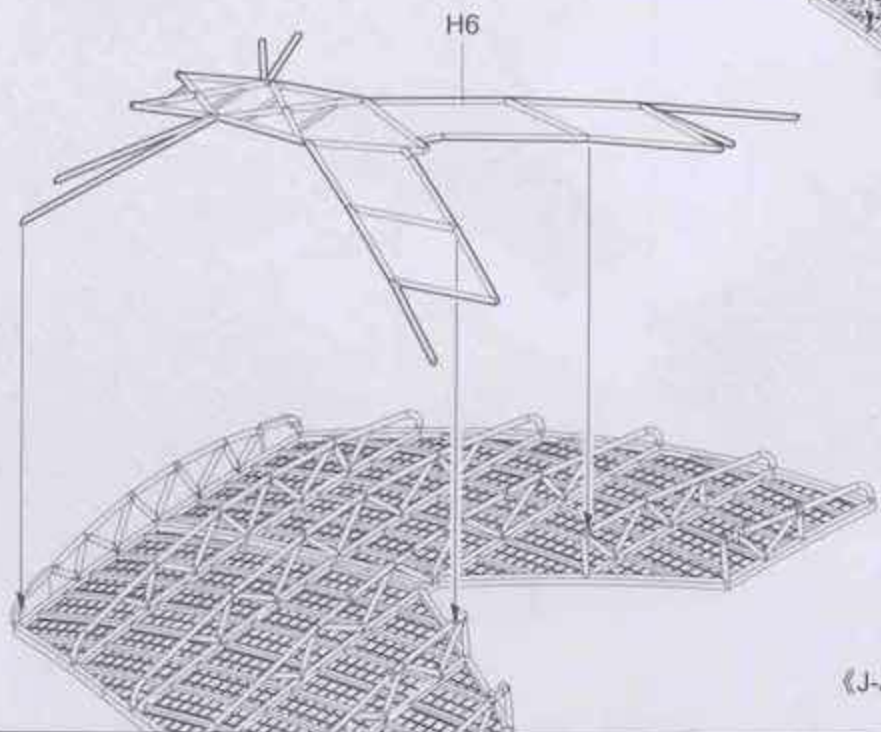
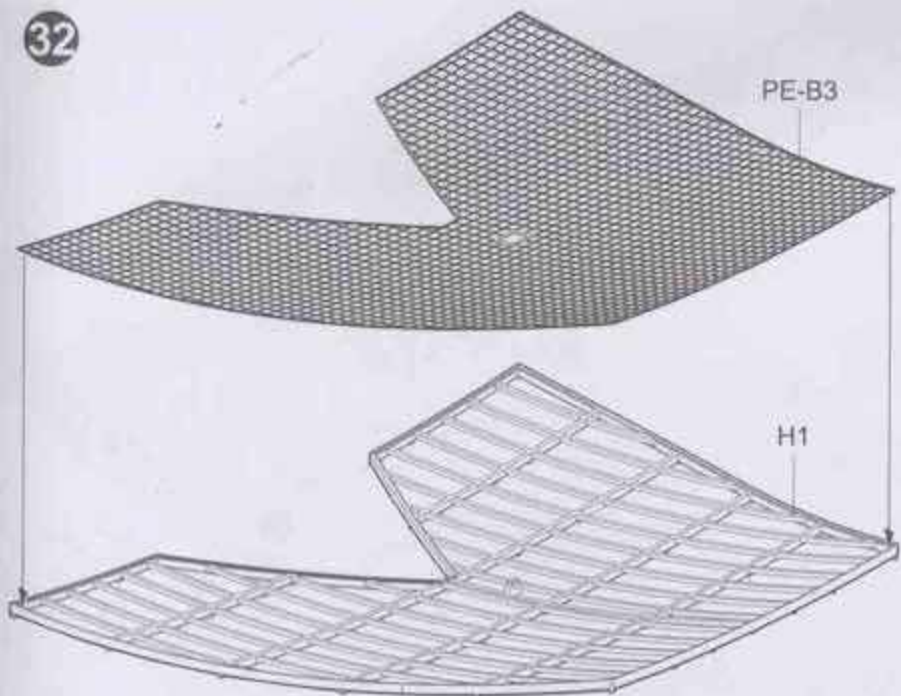




31

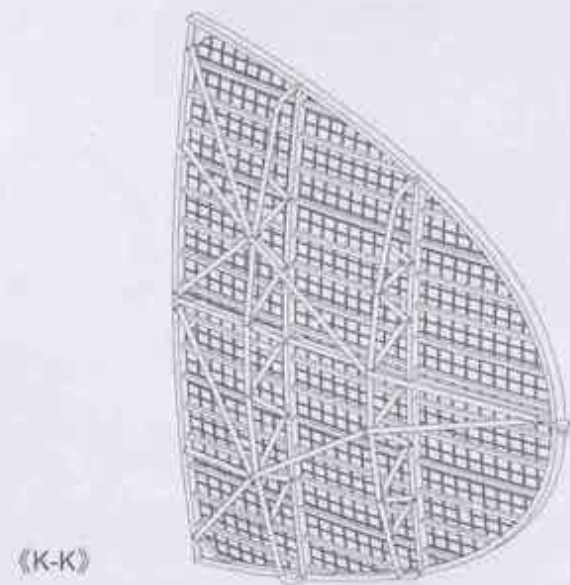
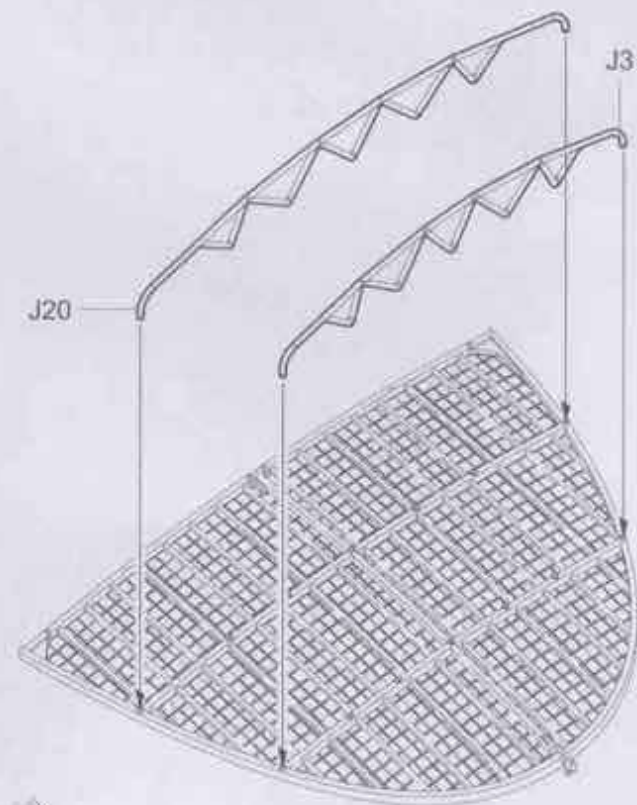
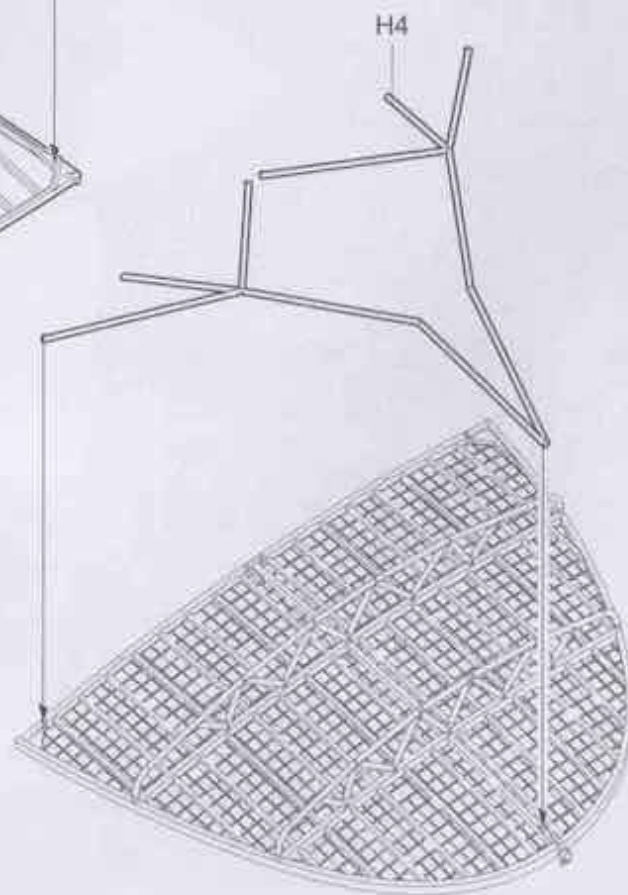
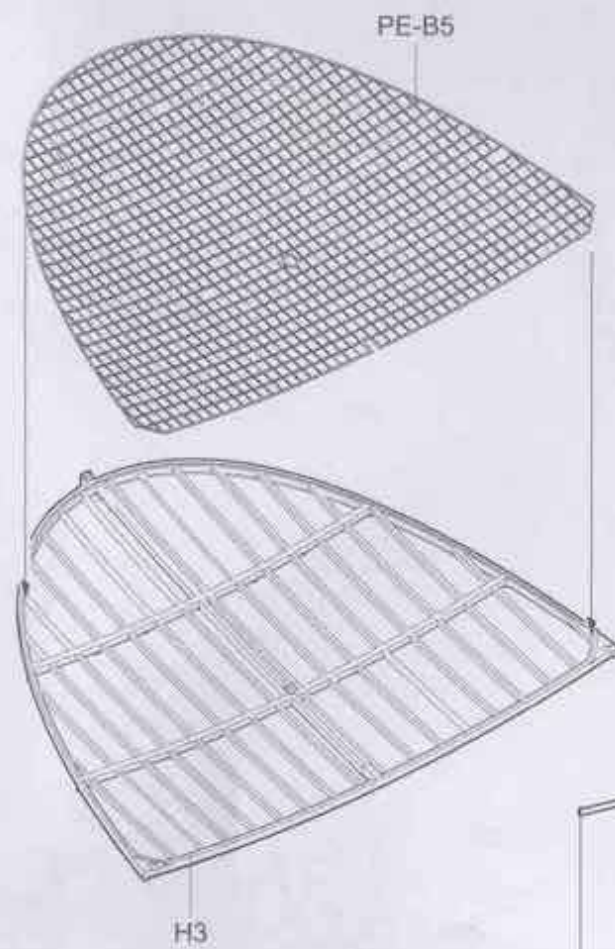


32

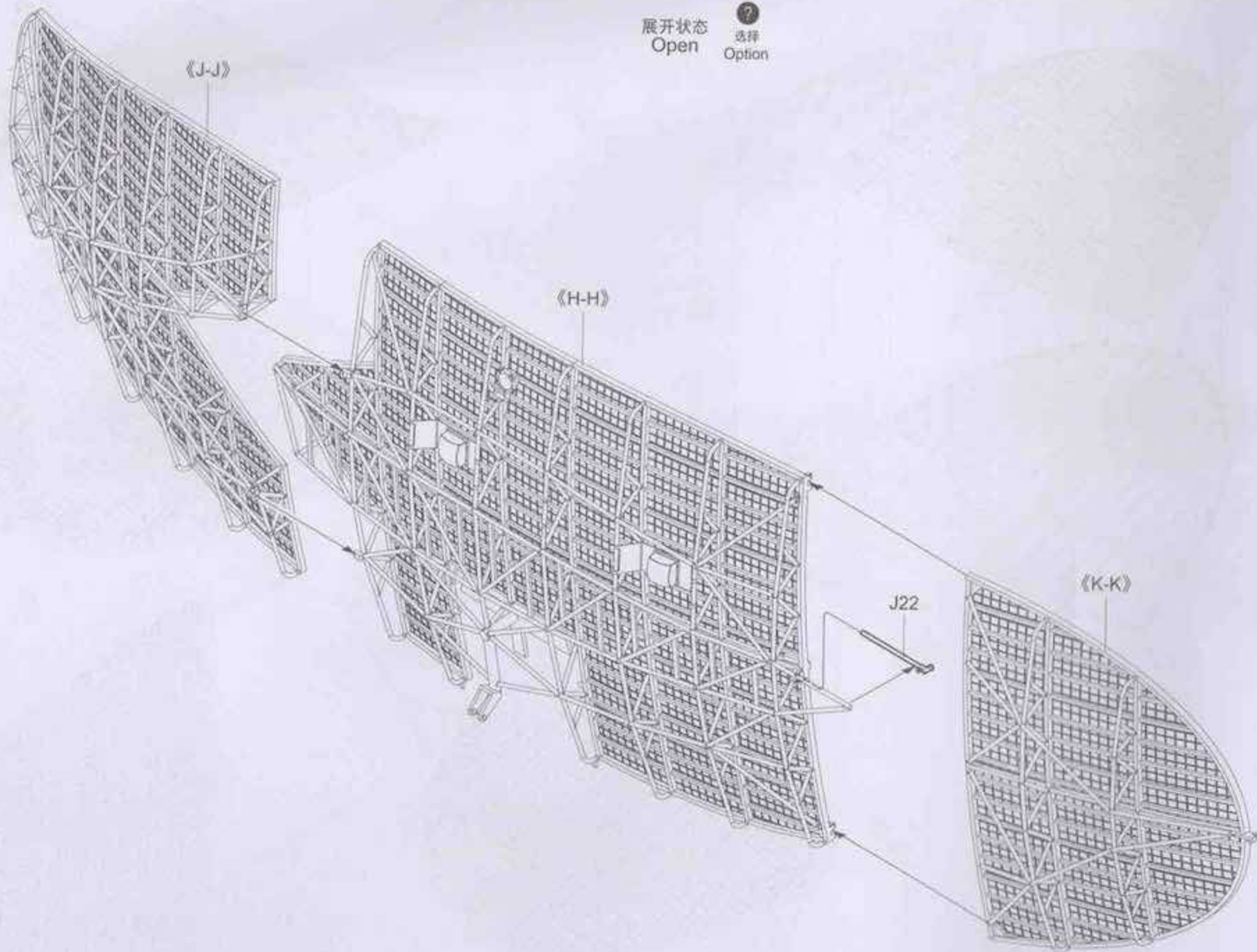


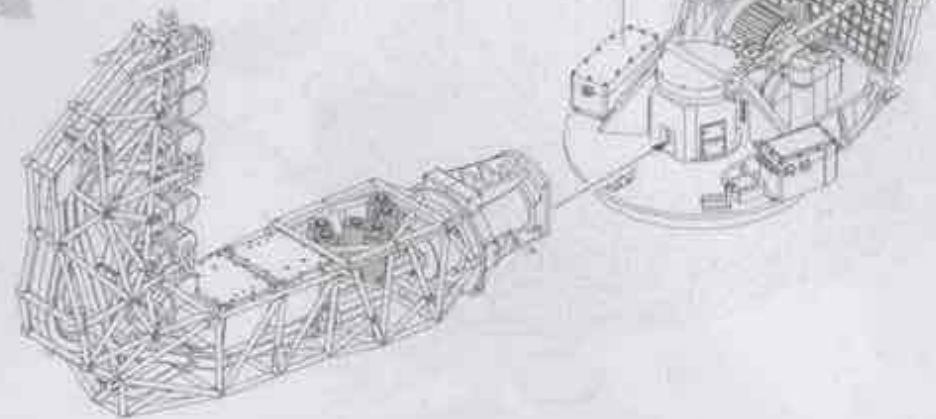
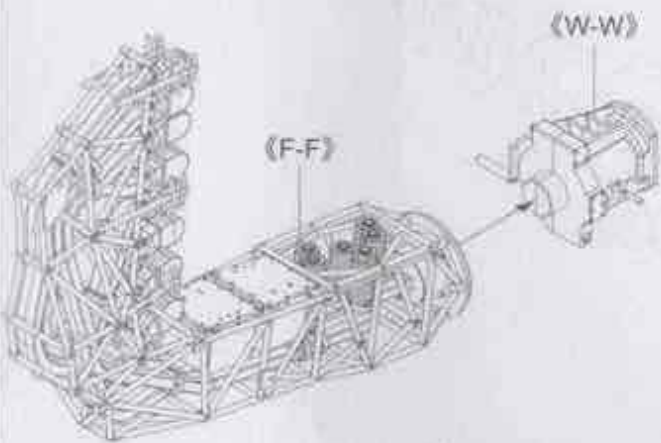
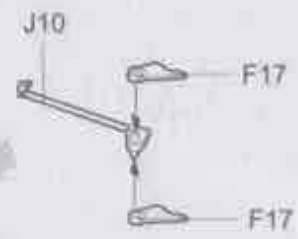
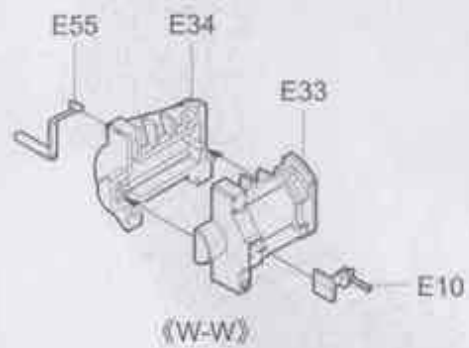
《J-J》

33

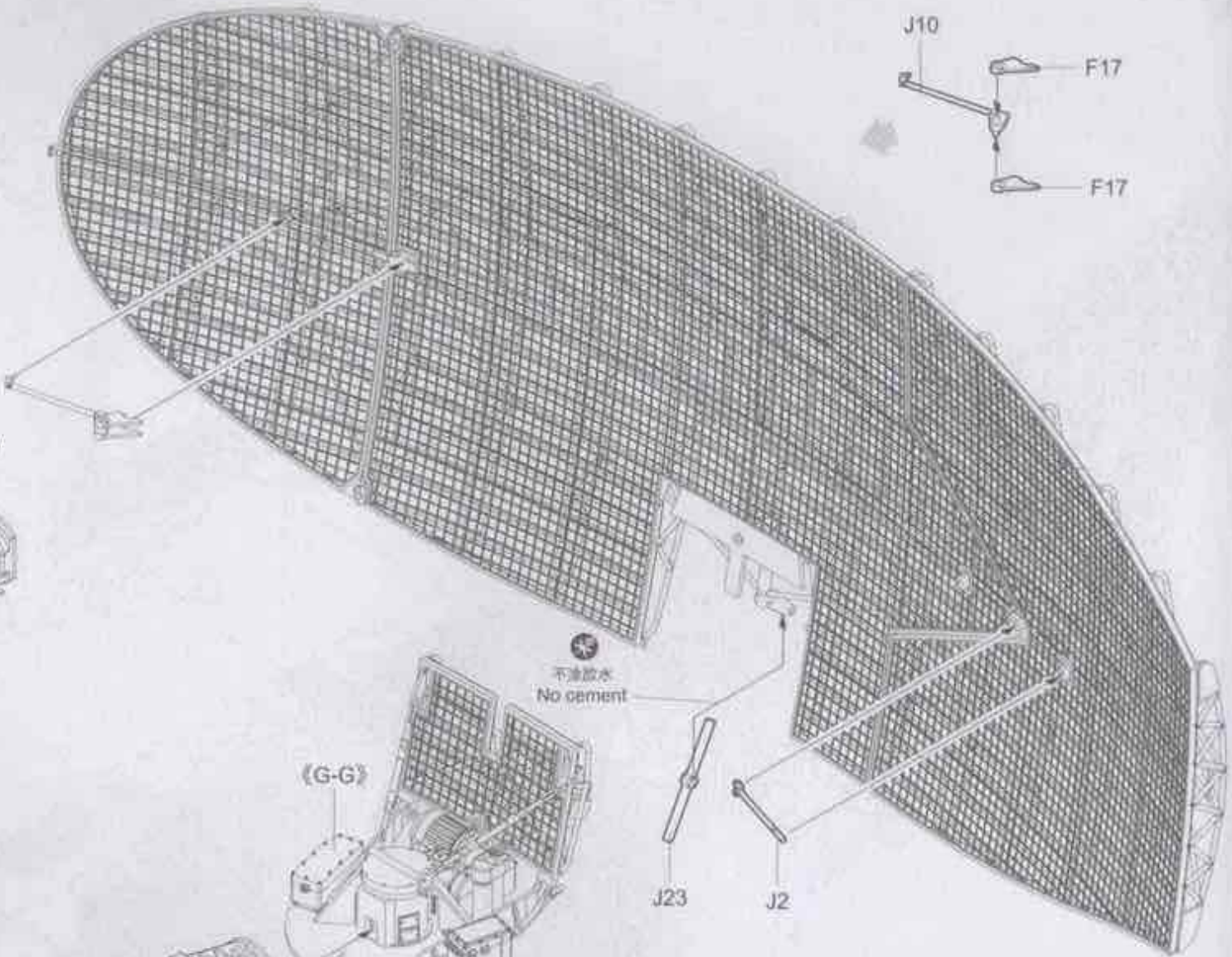
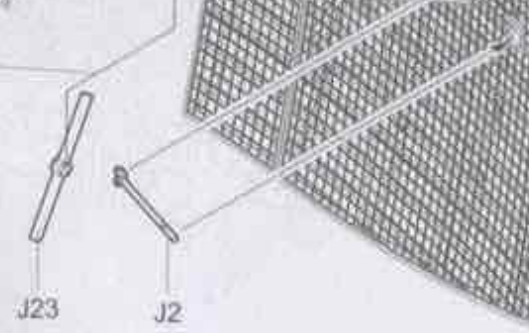


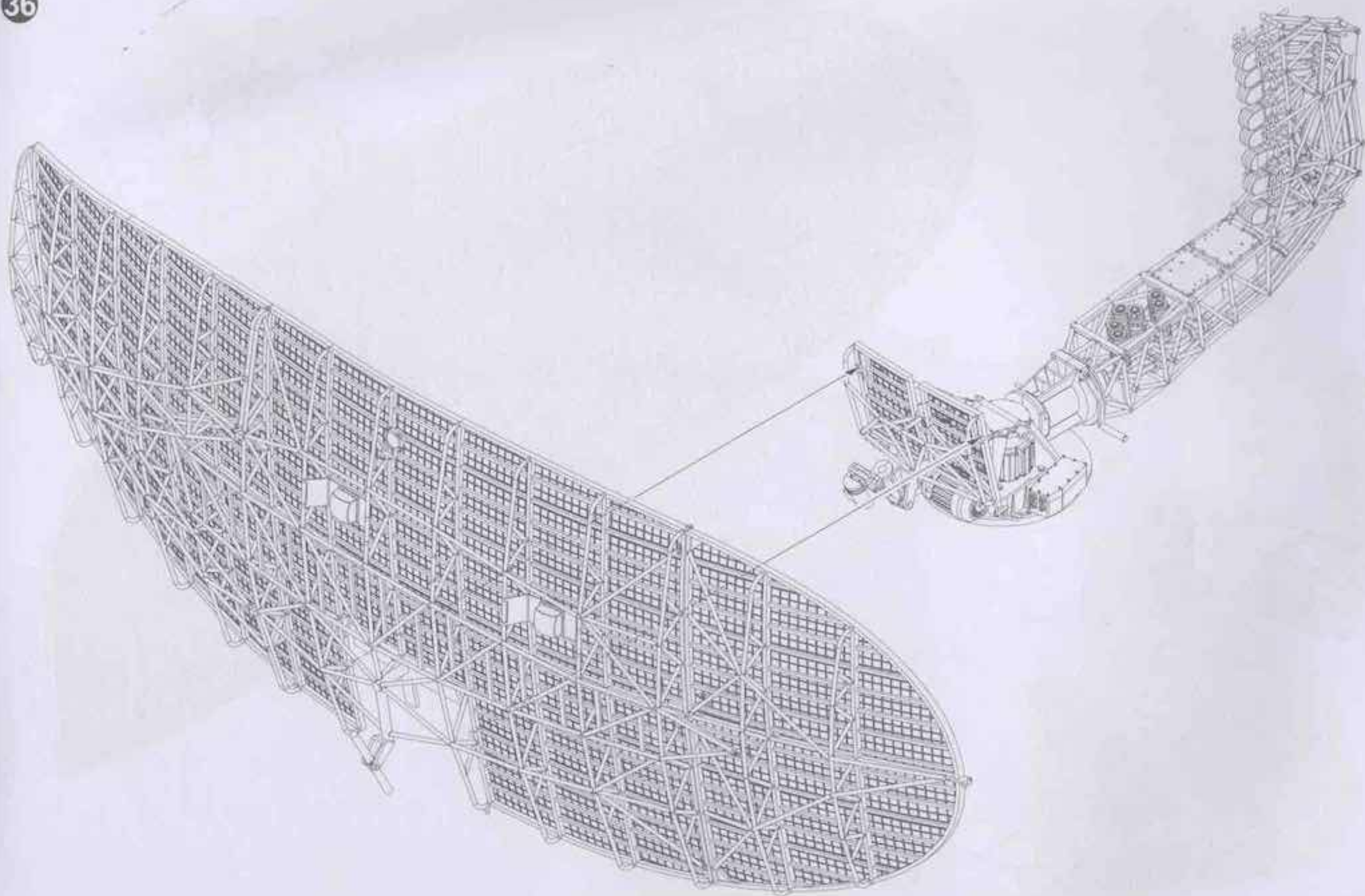
34

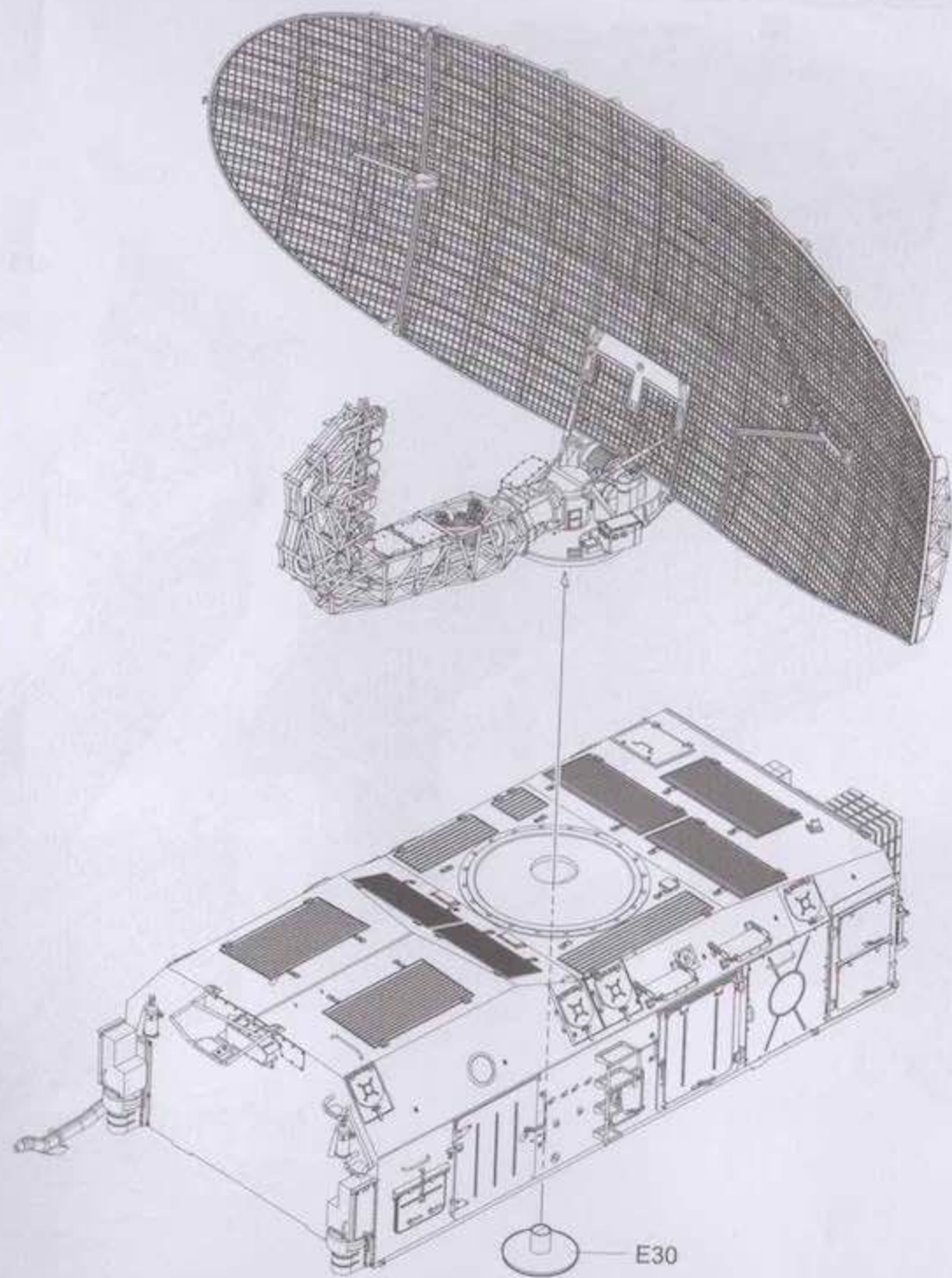
展开状态
Open②
选择
Option

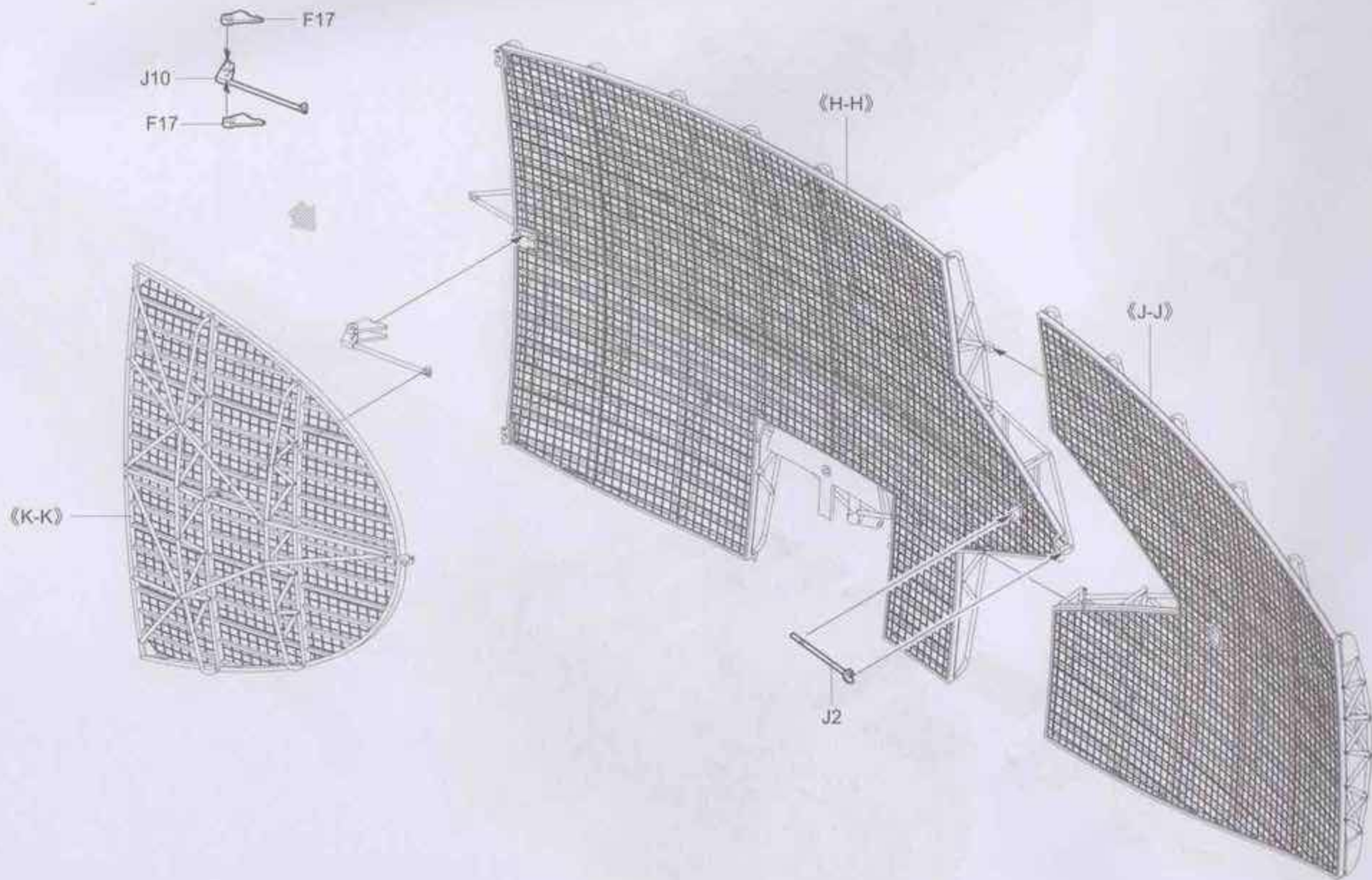


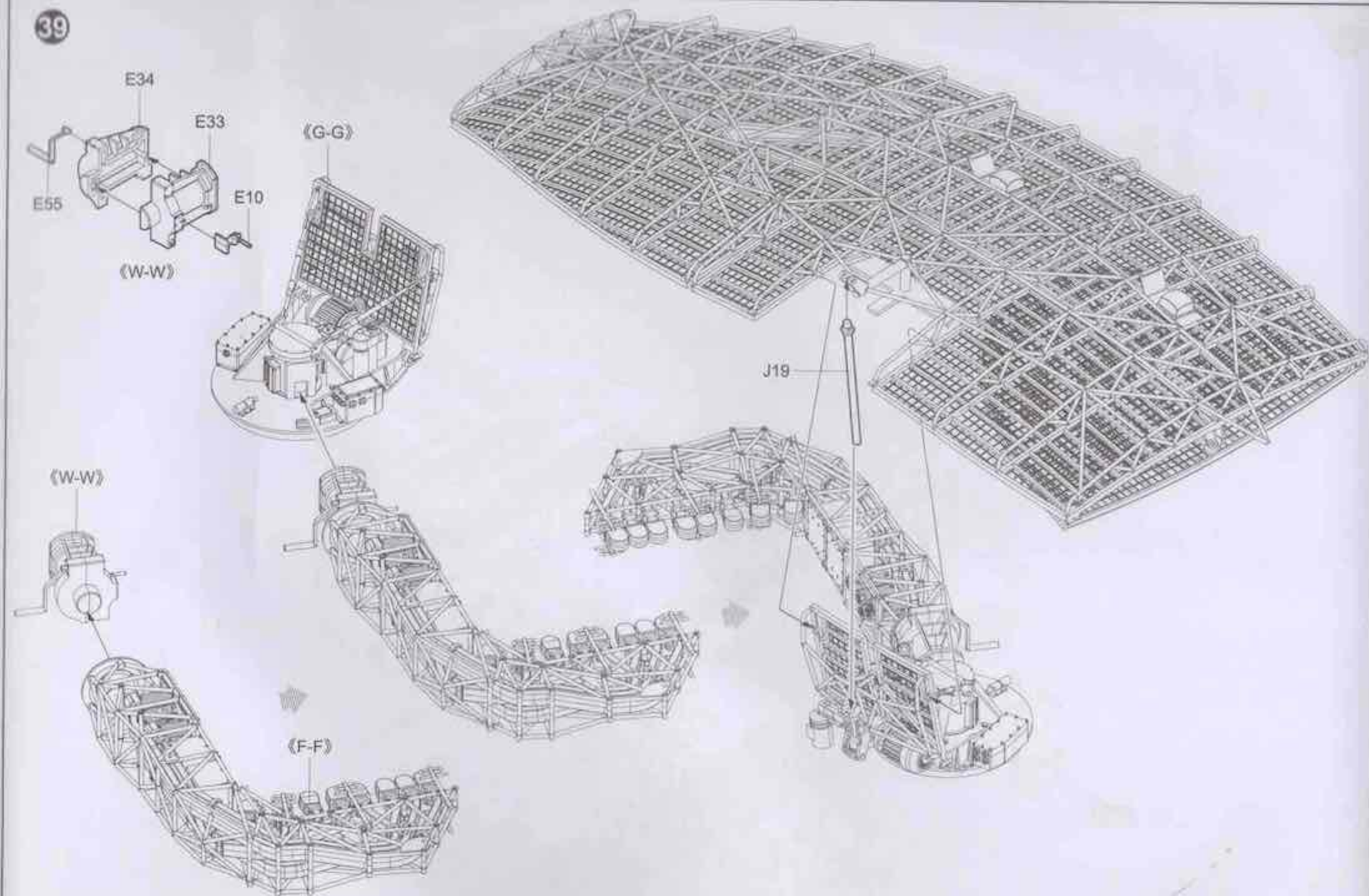
不要接着
No cement

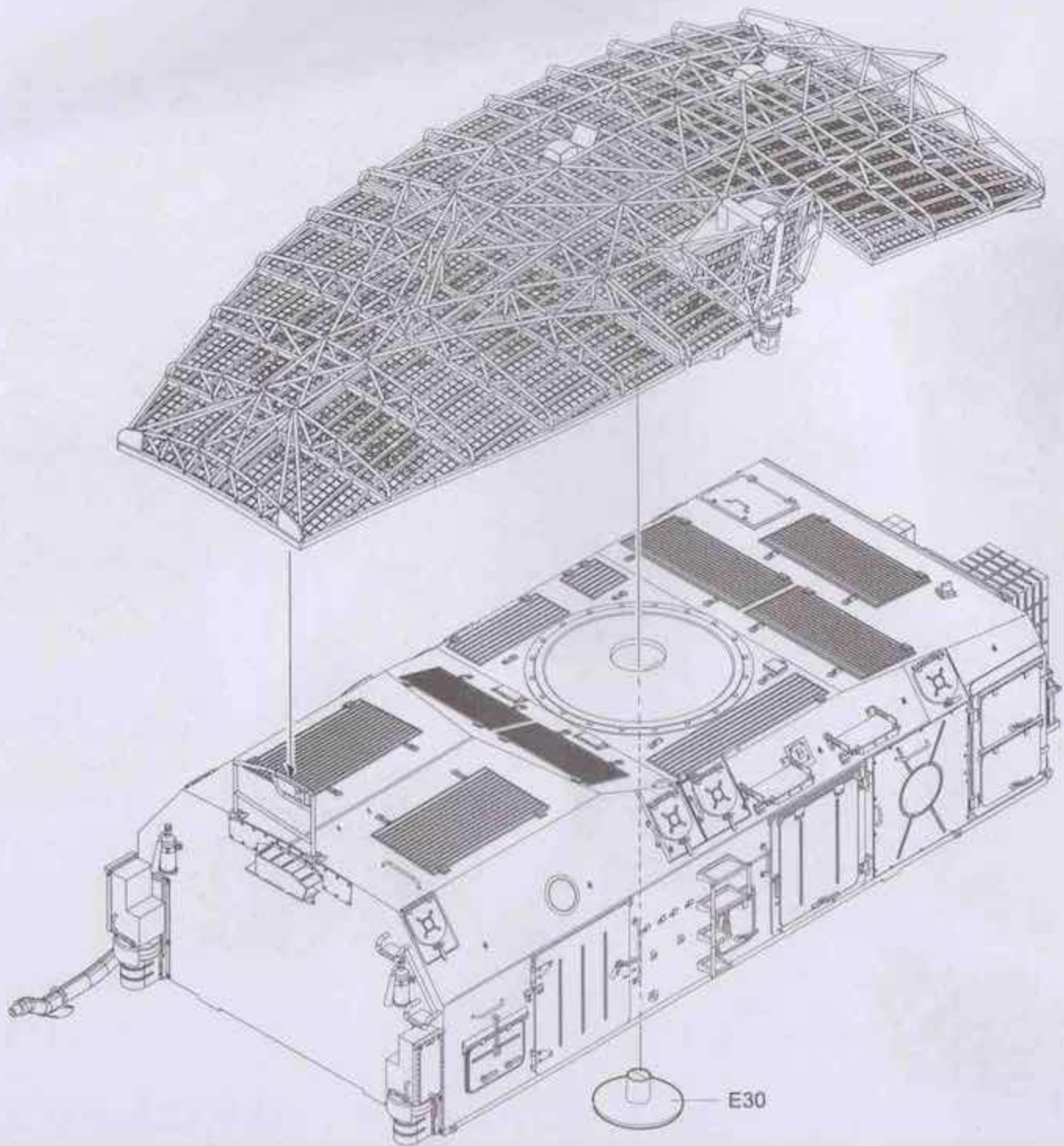




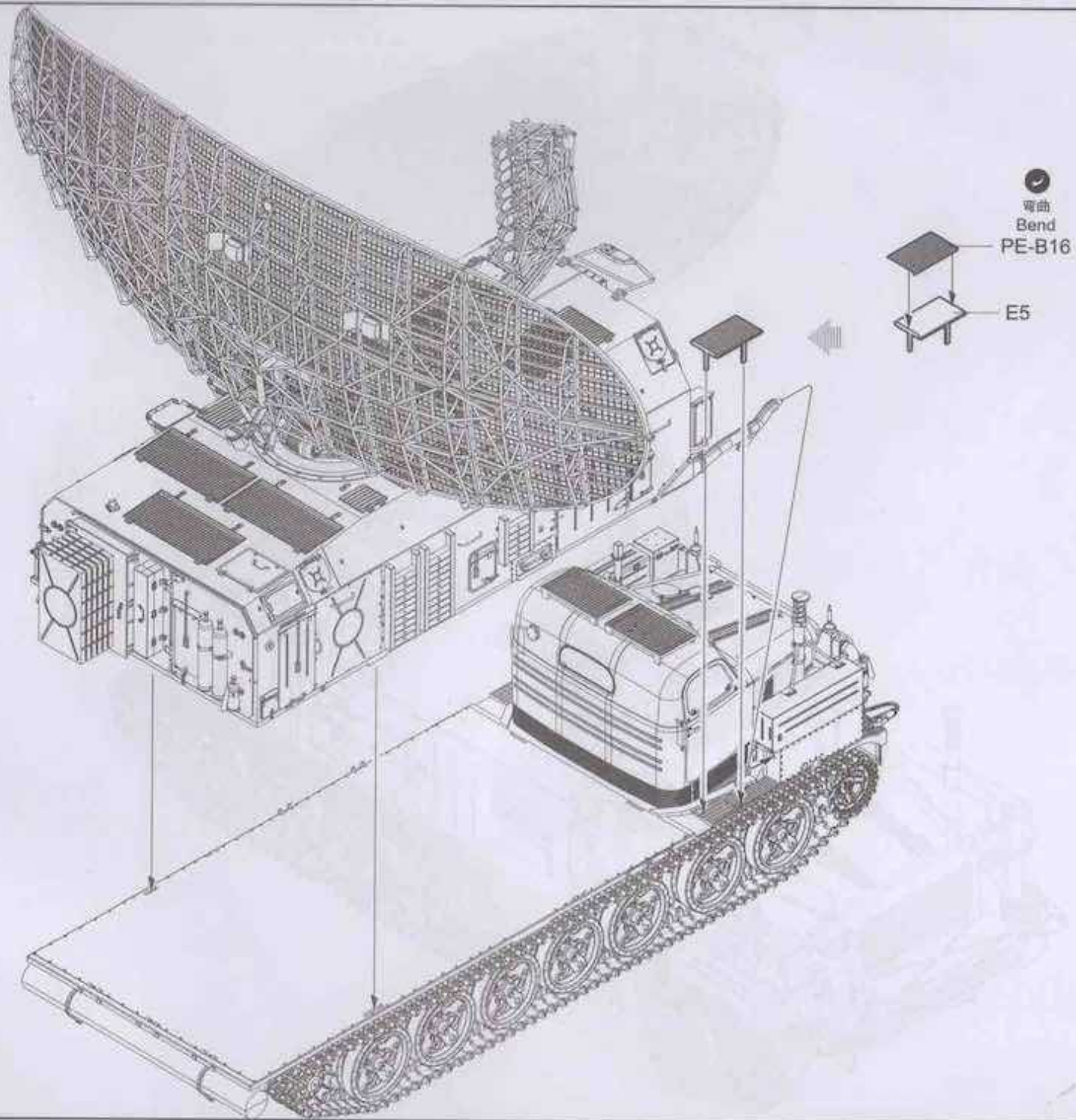


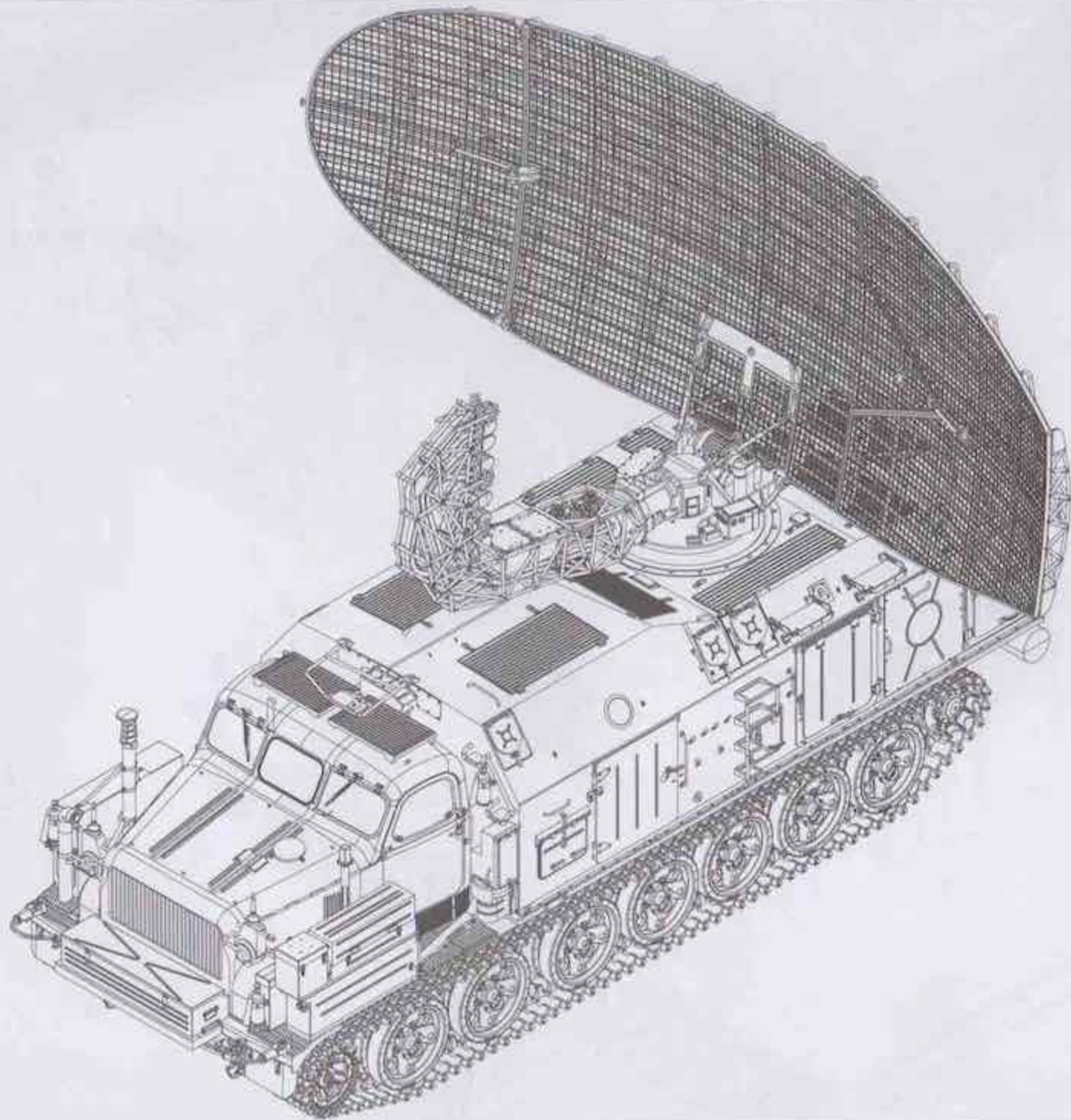






E30



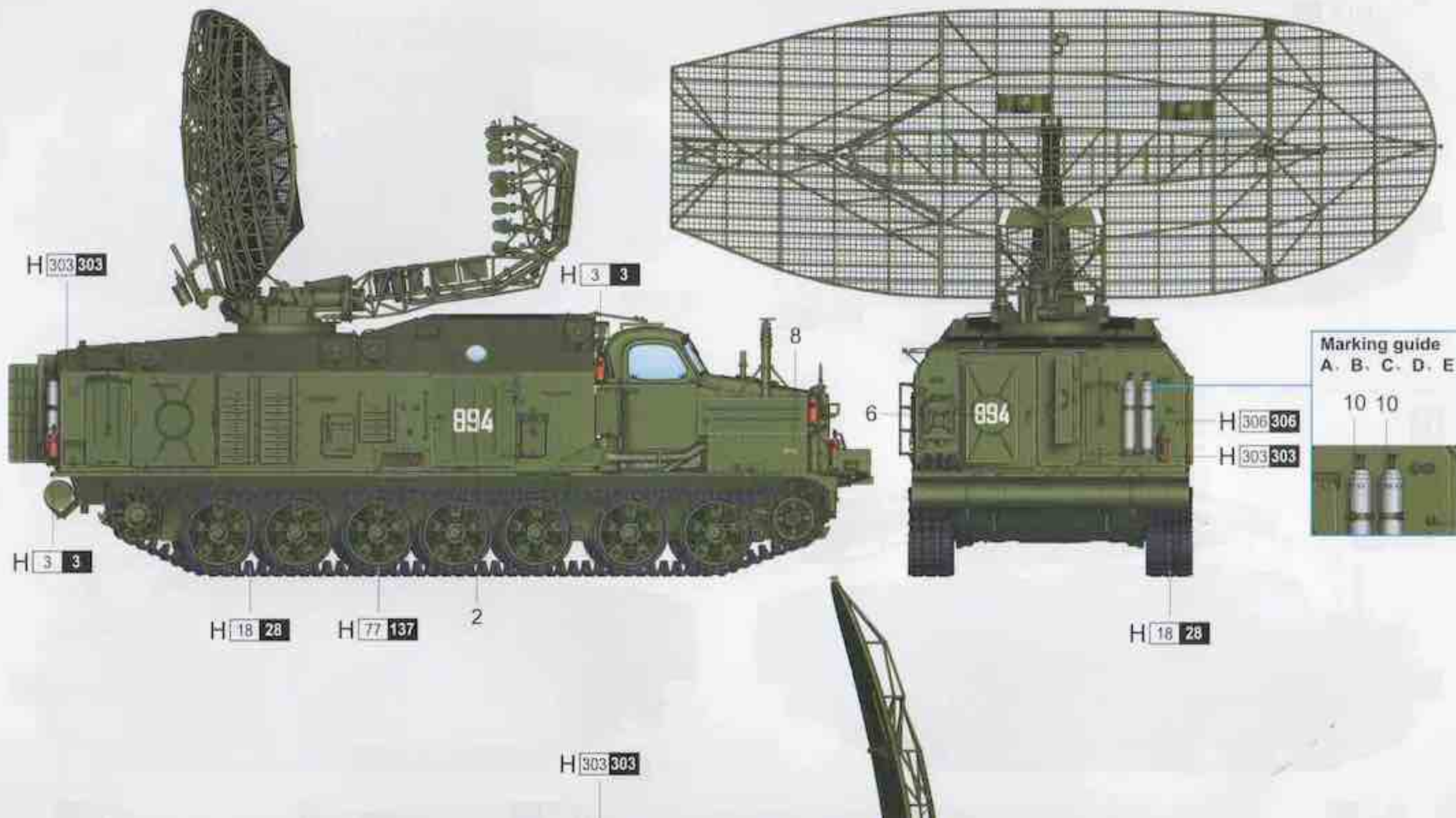


涂装同标贴指示 Painting & Marking guide

A

PAINT REFERENCE COLOR

Color	Mr.Hobby	Acrycion	Vallejo	Model Master	Tamiya	Humbrol	Color	Mr.Hobby	Acrycion	Vallejo	Model Master	Tamiya	Humbrol
Red 红色	H 3 3	N 3	908	1503	X7	19	Light Green 绿色	H 303 303	N 303	-	1713	XF20	117
Flat Black 消光黑	H 12 33	N 12	950	1749	XF1	33	Steel 黑铁色	H 18 28	N 18	864	1402	XF84	-
Medium Grey 灰色	H 306 306	N 306	870	1725	XF20	-	Tire Black 胎黑色	H 77 137	N 77	-	-	XF85	-



Marking guide 17
A. B. C. D. E



H 303 303

Marking guide
A. B. C. D. E

H 303 303

Marking guide
A. B. C. D. E
5



H 18 28

H 77 137

H 18 28

H AQUEOUS HOBBY COLOR Mr. COLOR N ACRYSION COLOR

3

H 18 28

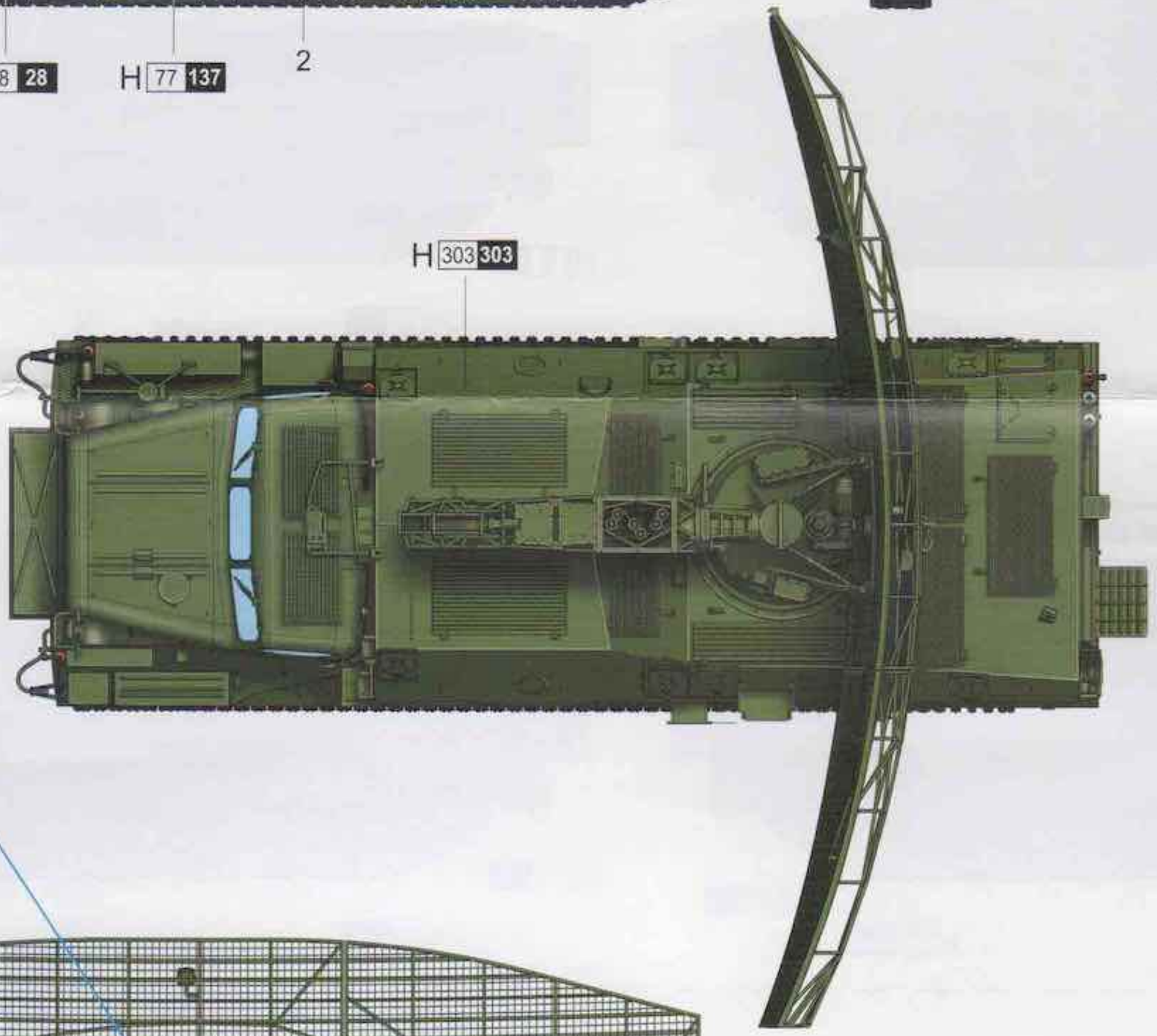
H 77 137

2

H 18 28

H 303 303

Building guide 17
B, C, D, E

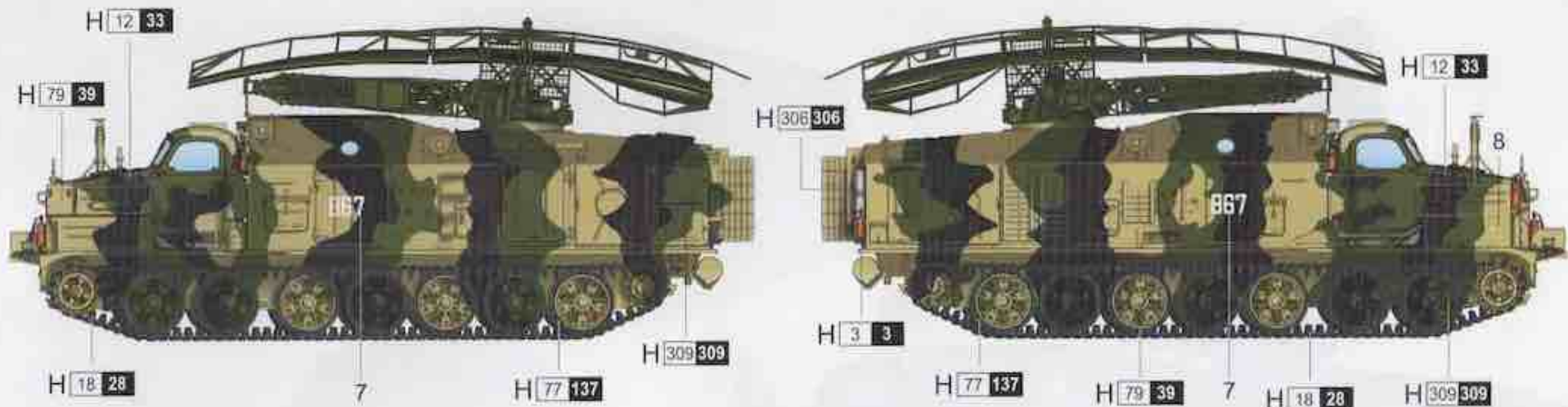


涂装同标贴指示 Painting & Marking guide

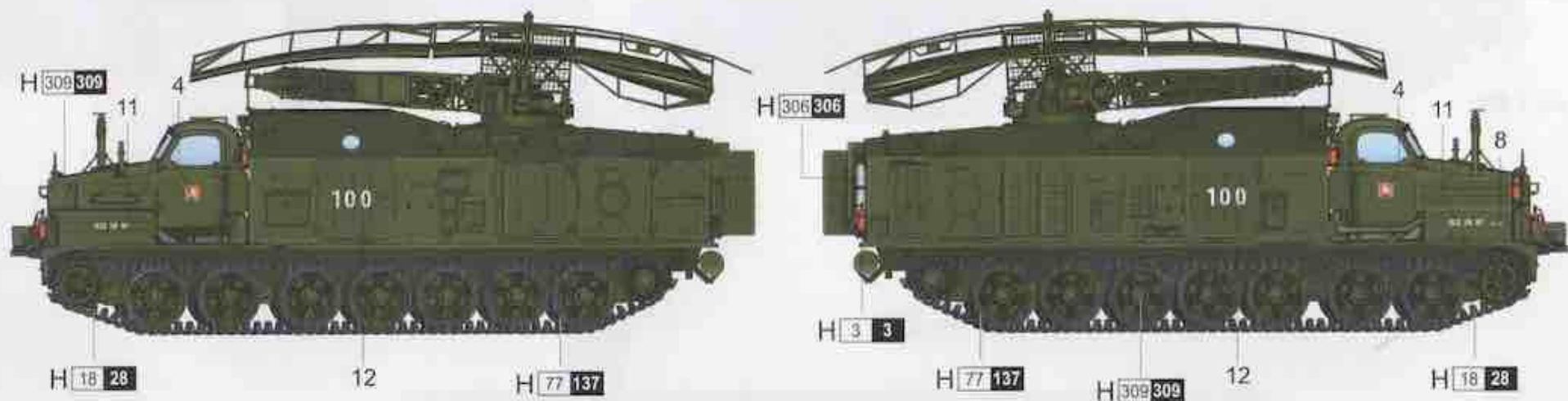
PAINT REFERENCE COLOR

Color	Mr.Hobby	Acryslon	Vallejo	Model Master	Tamiya	Humbrol	Color	Mr.Hobby	Acryslon	Vallejo	Model Master	Tamiya	Humbrol
Forest Green 绿色	H 309 309	N 309	893	1710	XF58	116	Army Standard Yellow 砂黄色	H 79 39	N 79	824	-	XF59	93
Russian Green (1) 苏联绿	H 135	N	-	-	-	-	Olive Drab 橄榄色	H 304 304	N 304	887	1711	XF62	155
Red Brown 红棕色	H 47 41	N 47	984	-	XF64	160	White 白色	H 1 1	N 1	842	1745	X2	22

B



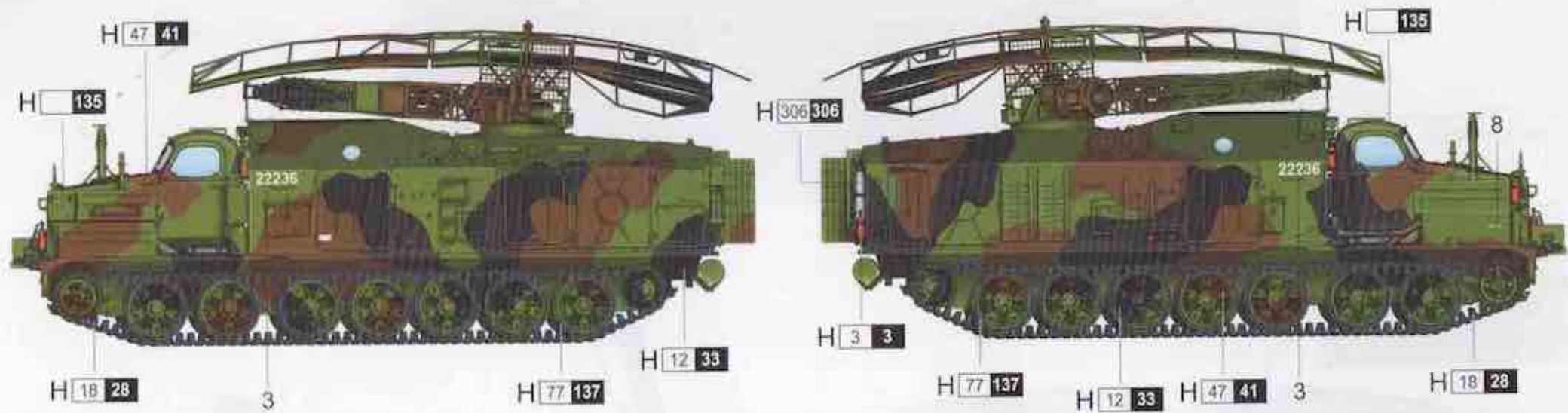
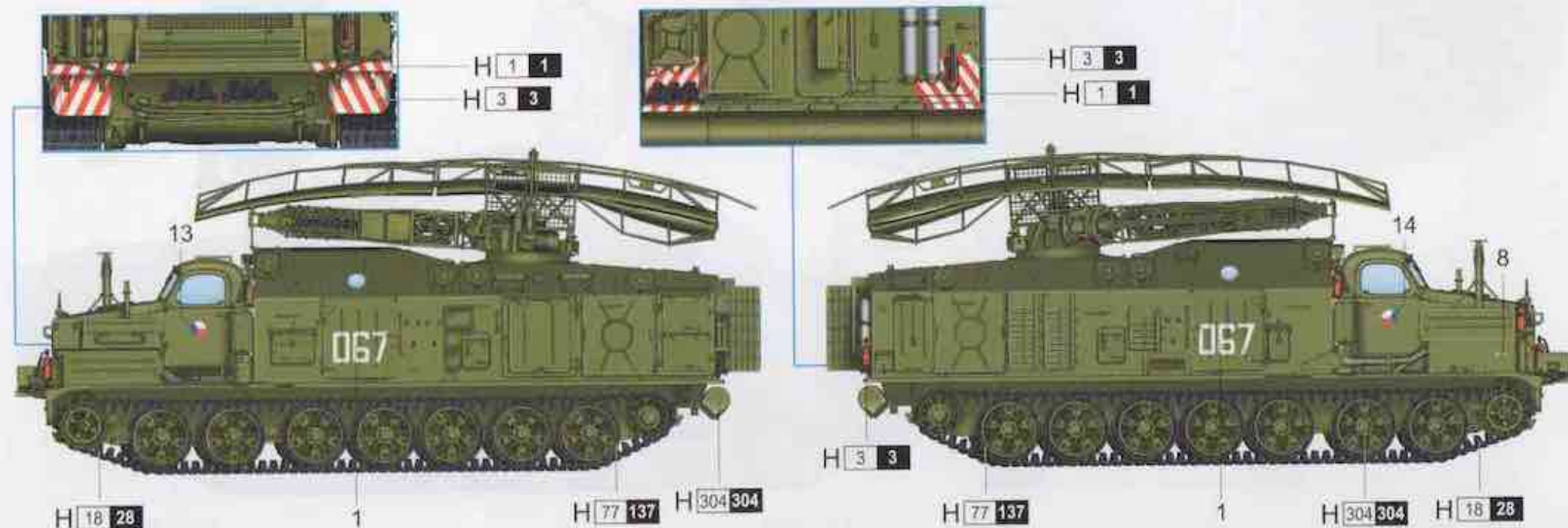
C



D

H 47 41

H 135

D**E**

H AQUEOUS HOBBY COLOR Mr. COLOR N ACRYSION COLOR