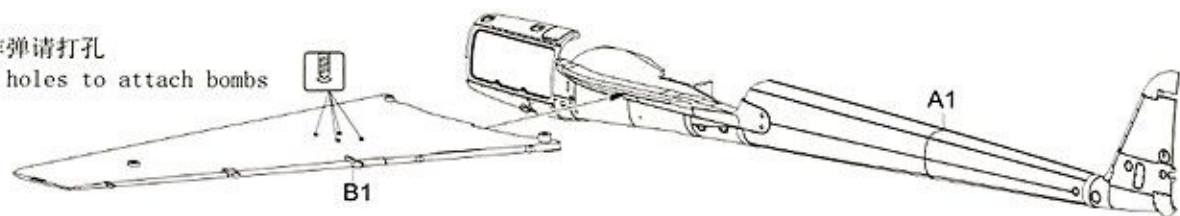
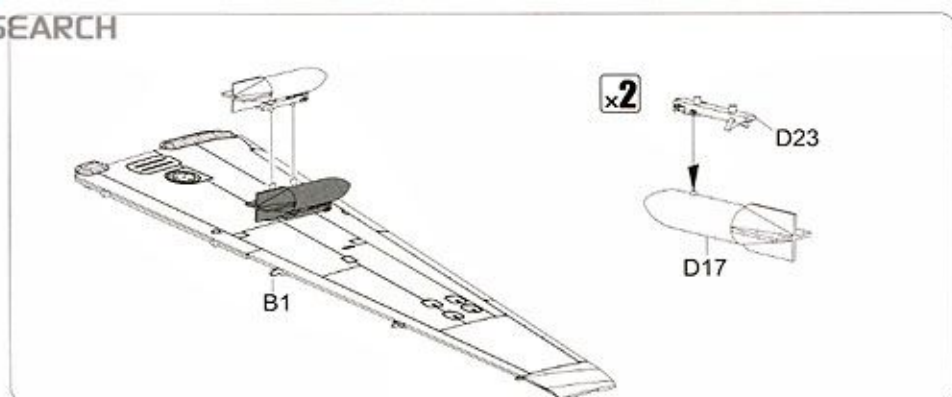
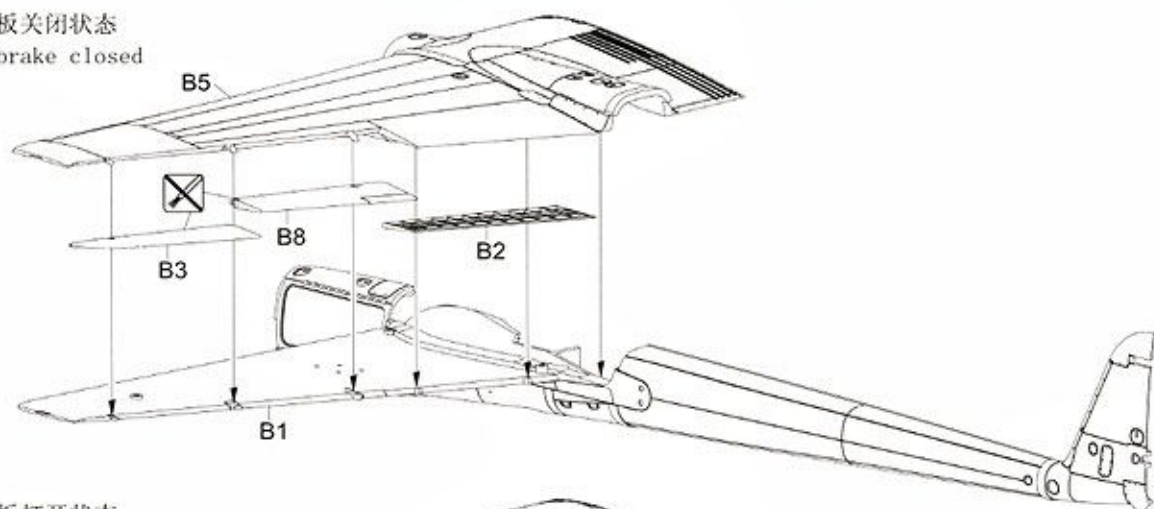


安装炸弹请打孔
Drill holes to attach bombs

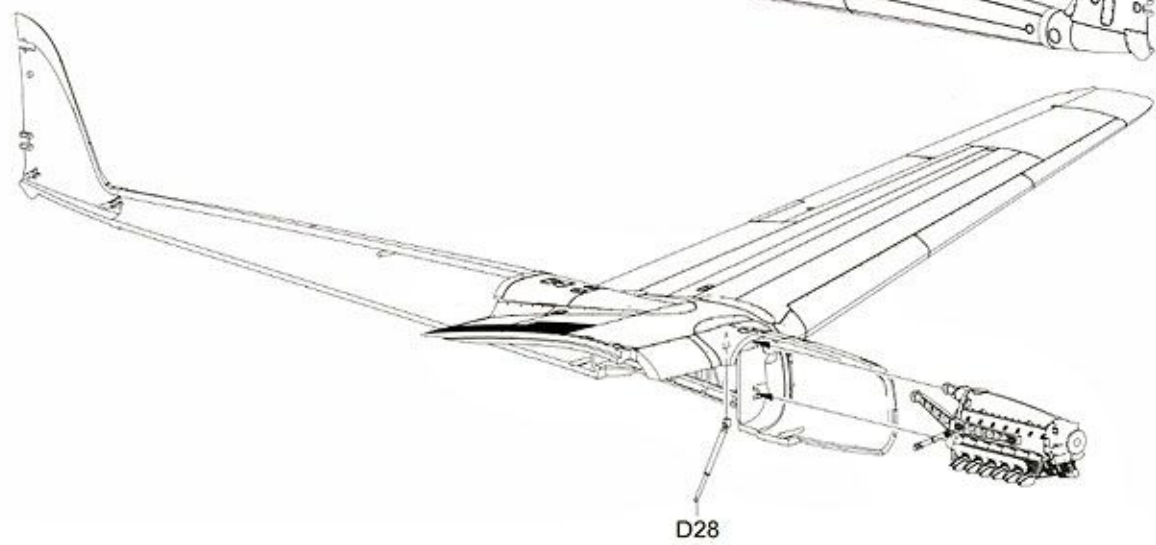
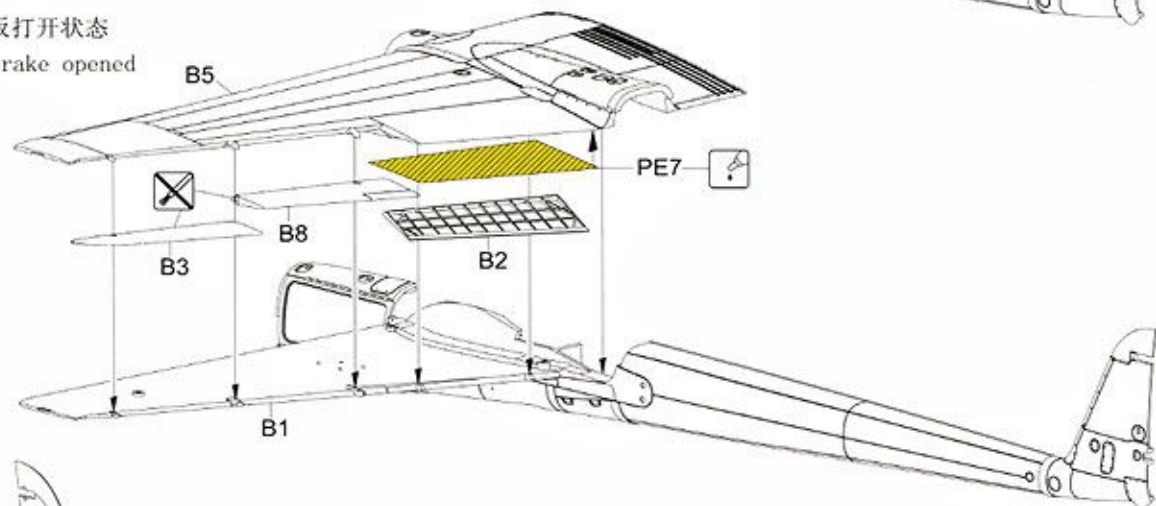


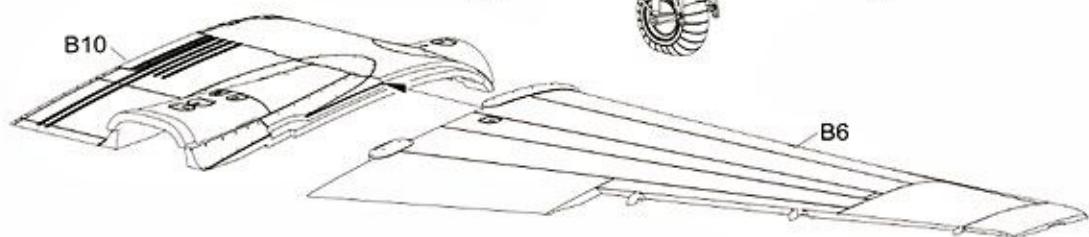
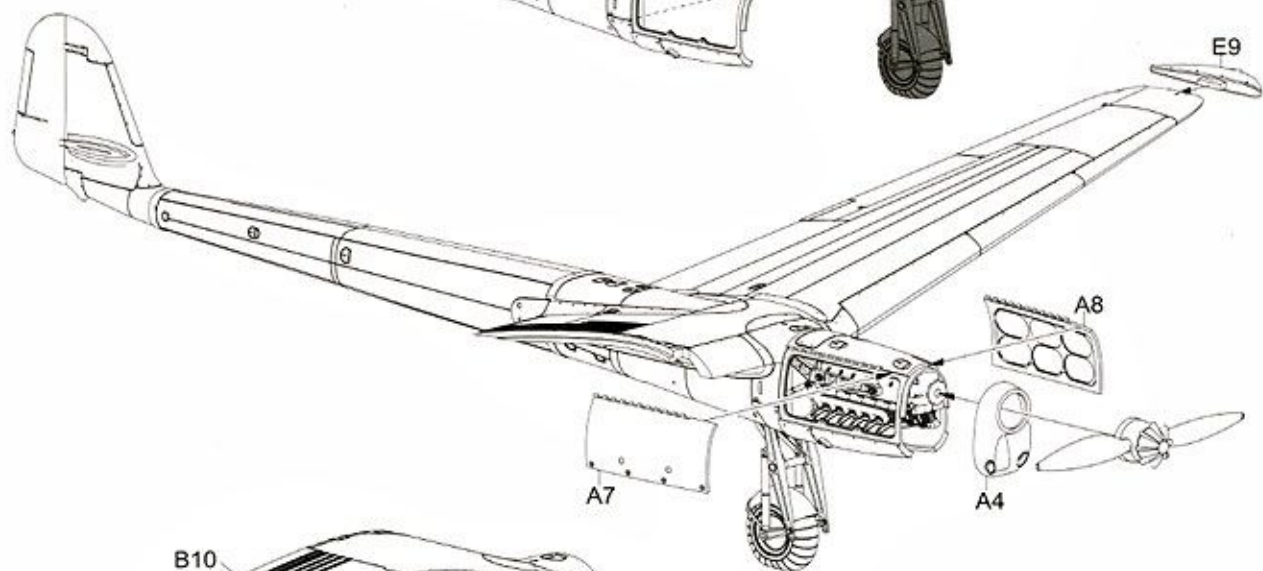
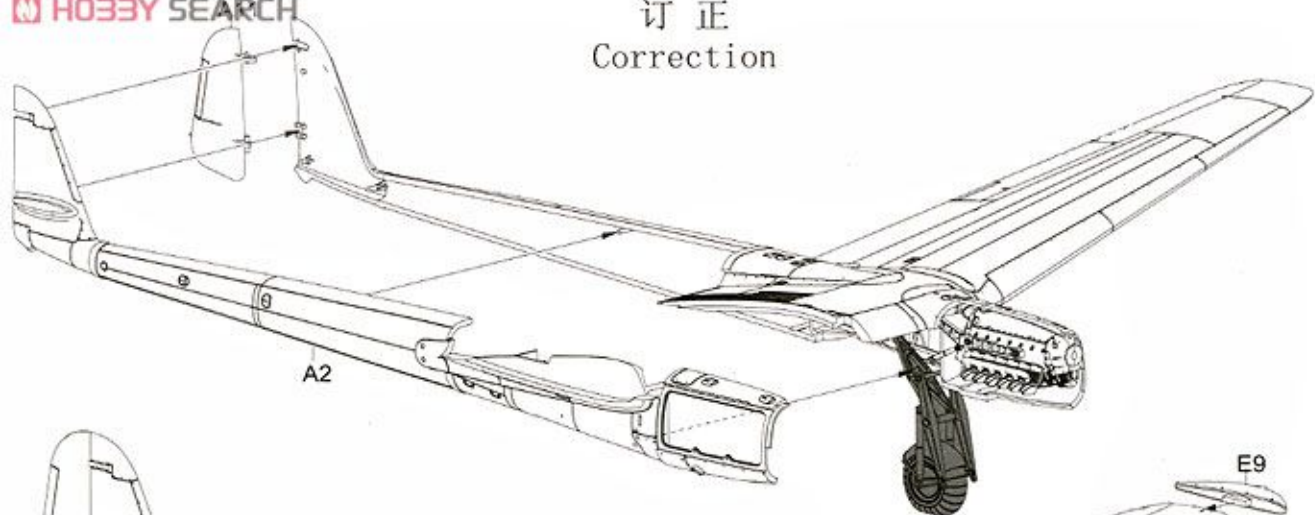


减速板关闭状态
Air brake closed

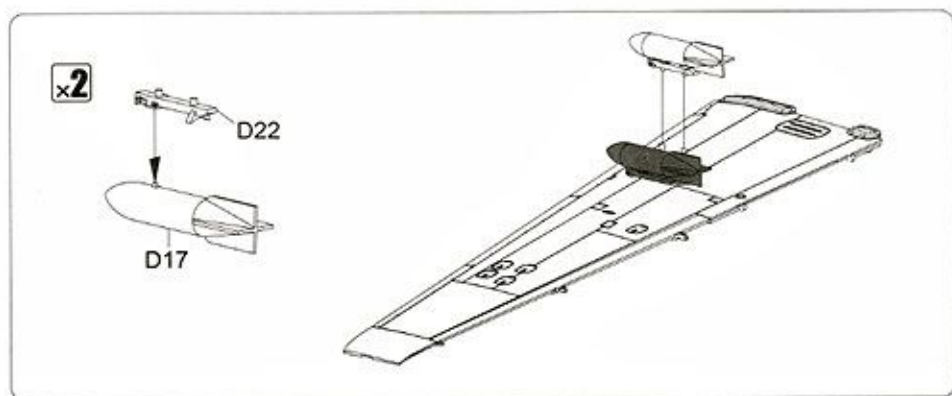
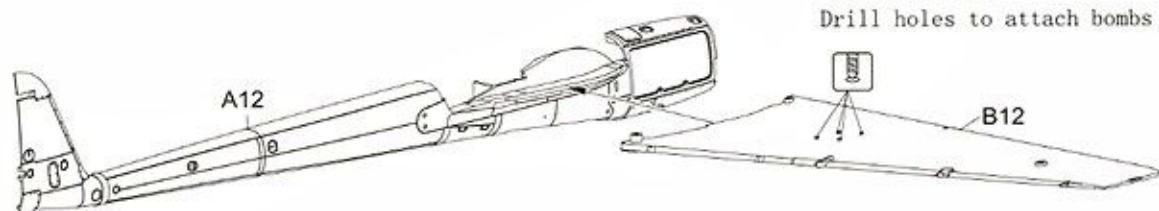


减速板打开状态
Air brake opened

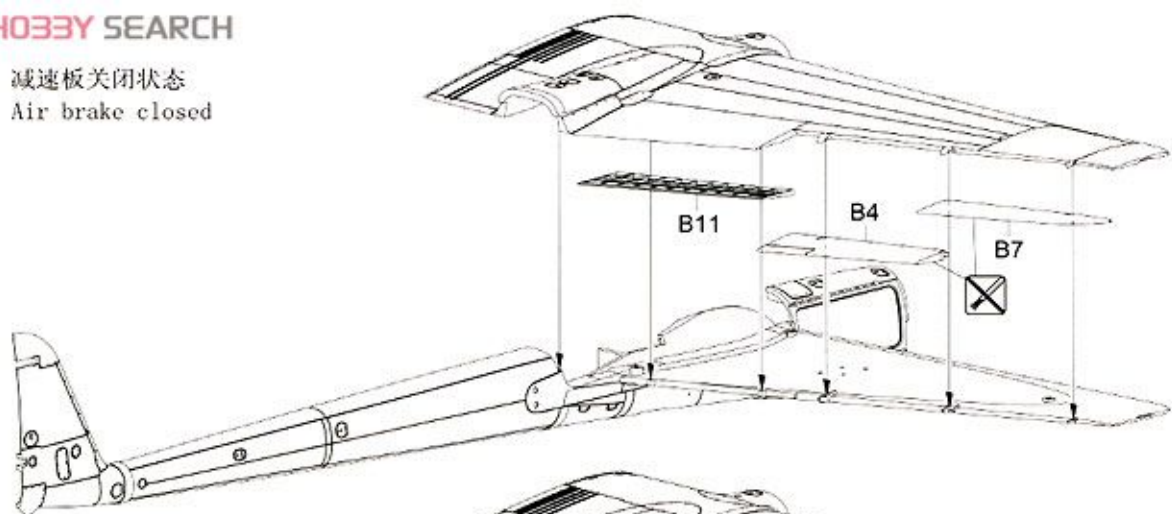




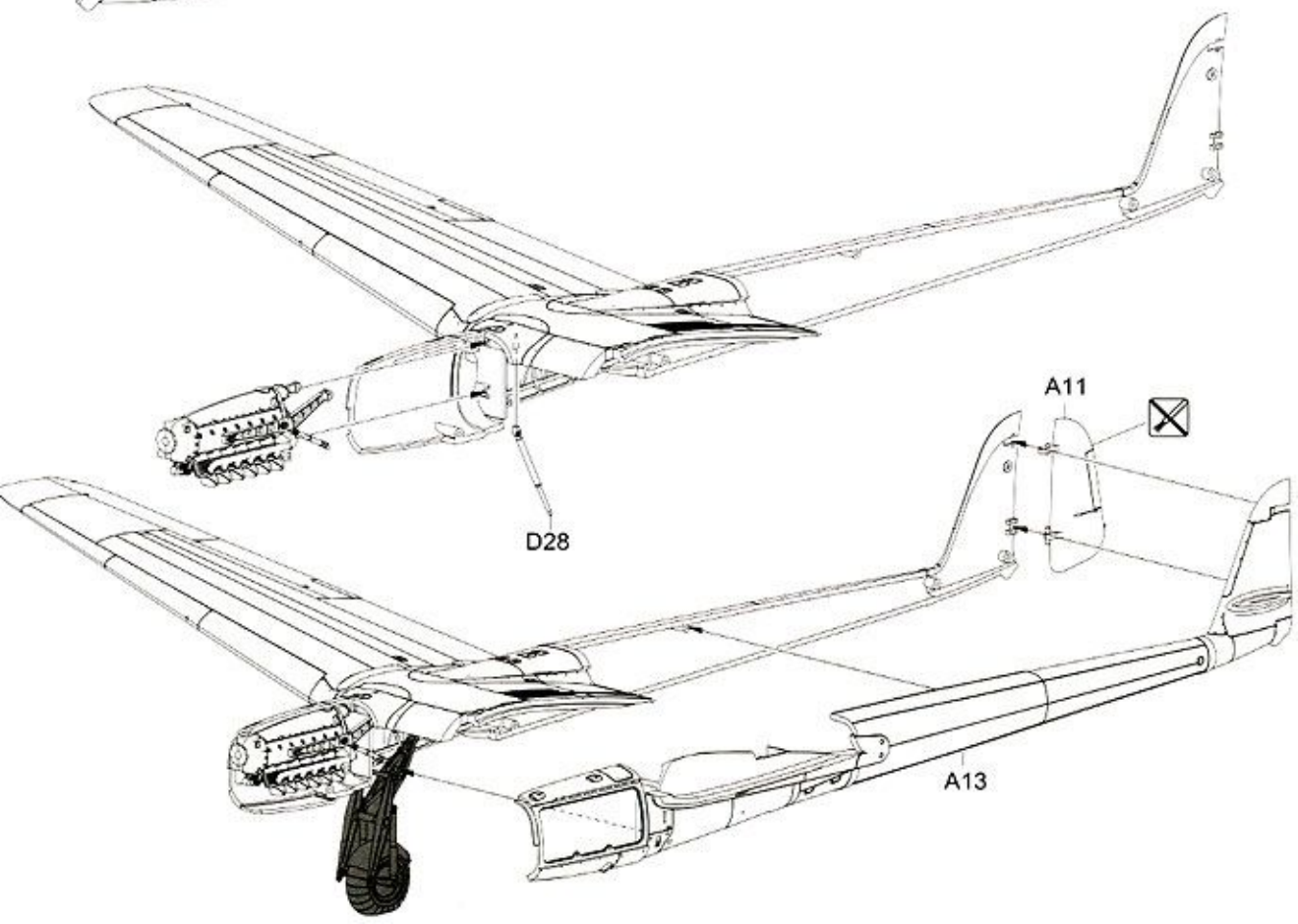
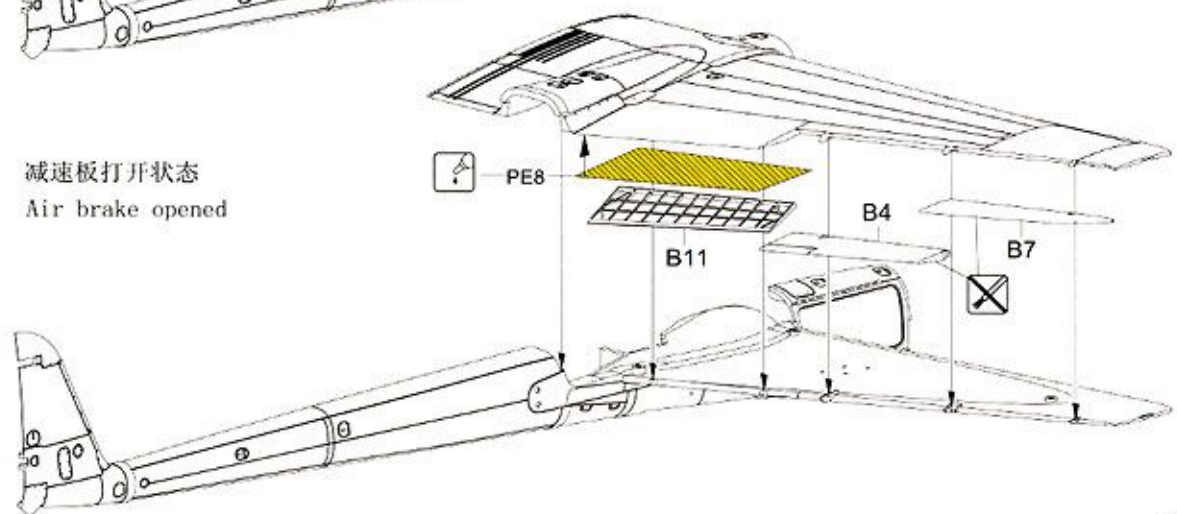
安装炸弹请打孔
Drill holes to attach bombs

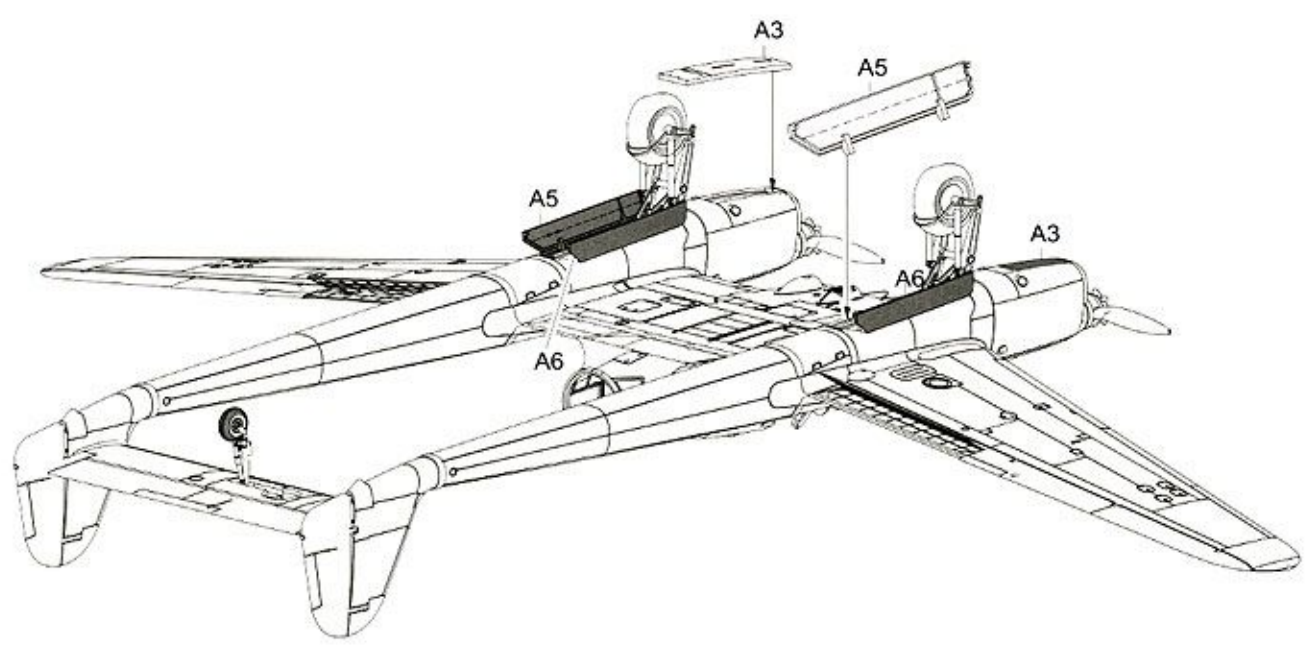
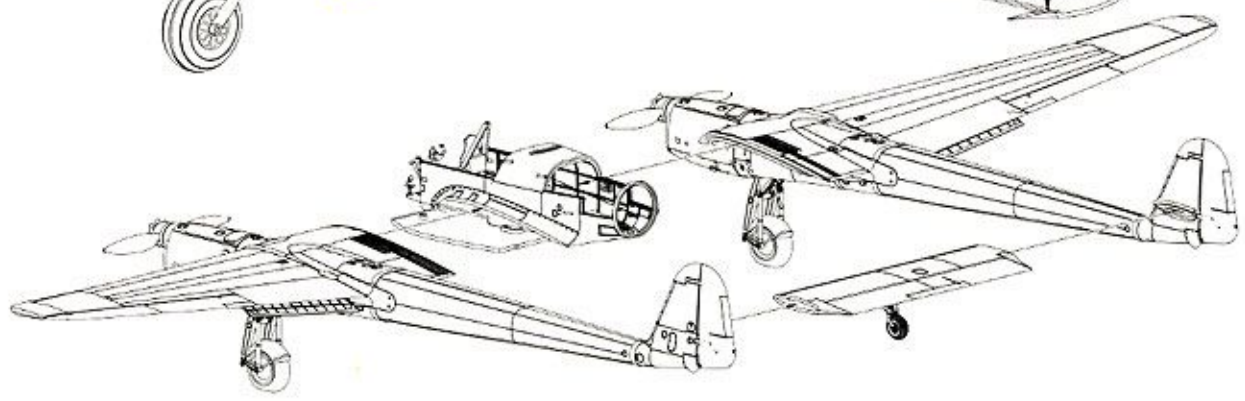
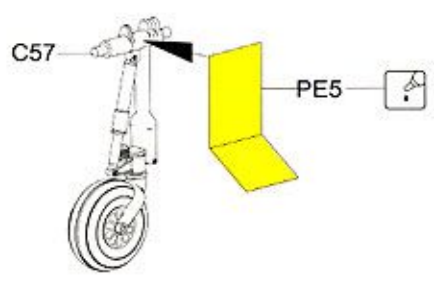
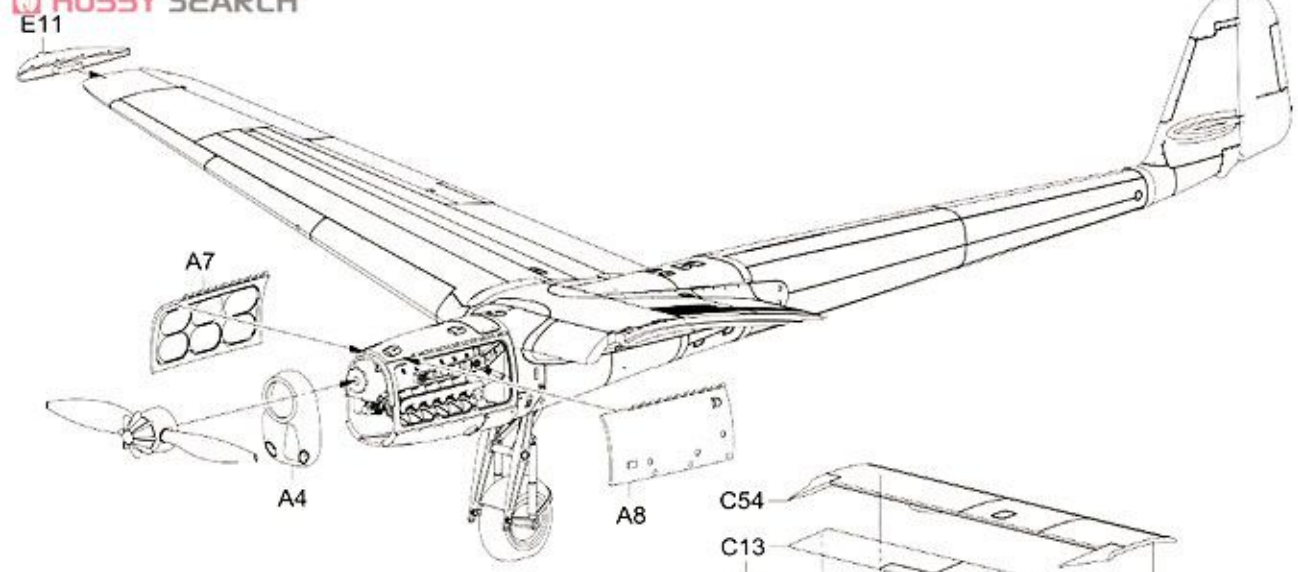


减速板关闭状态
Air brake closed

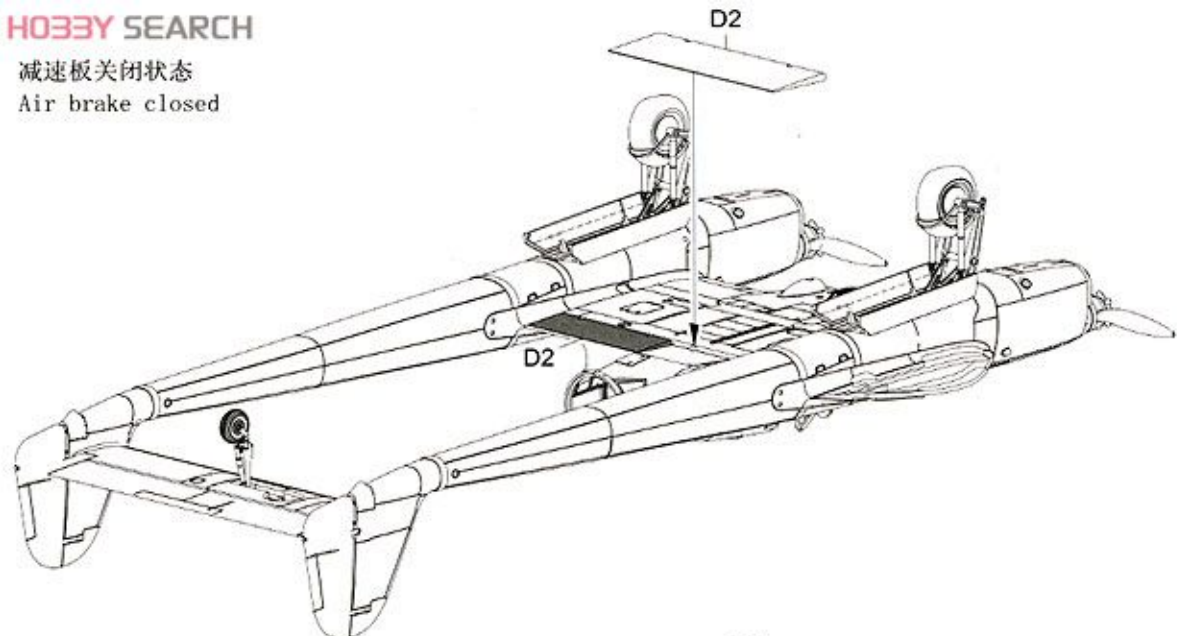


减速板打开状态
Air brake opened

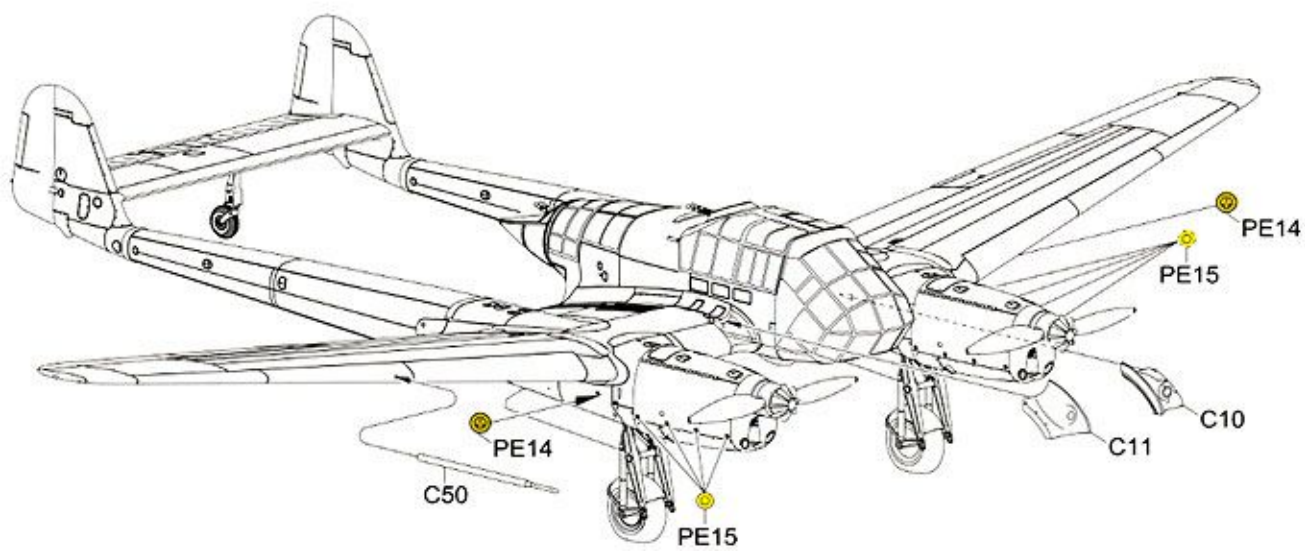
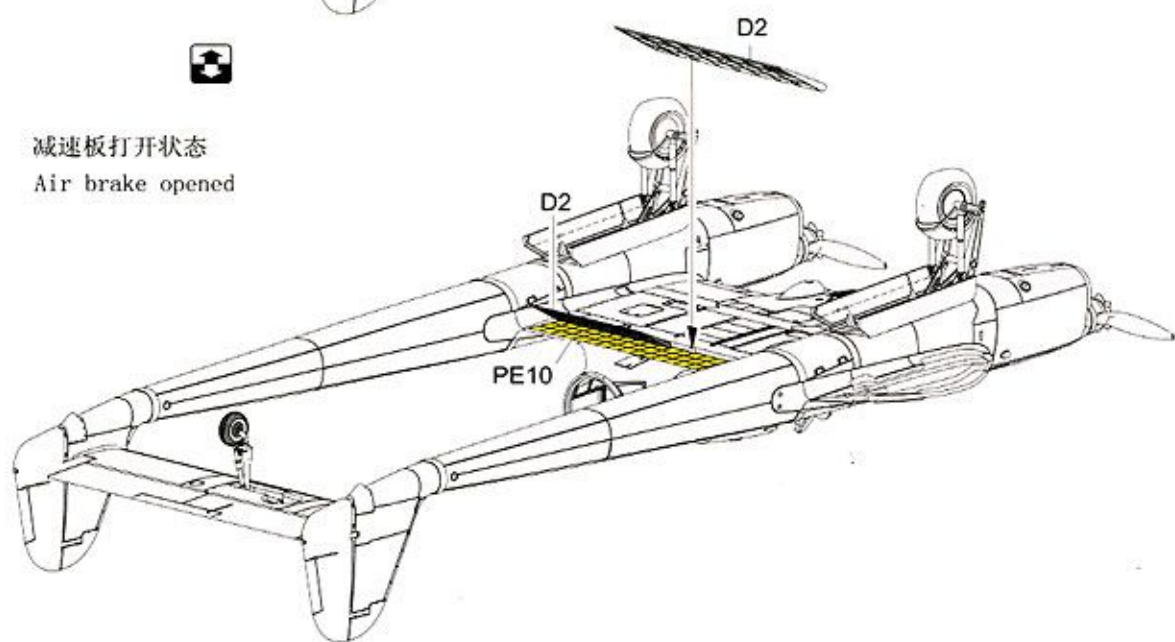


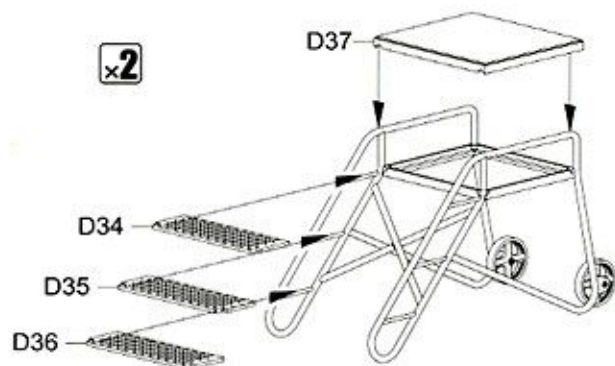
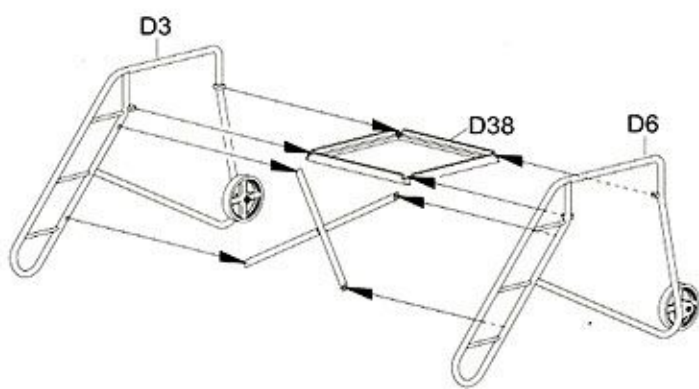
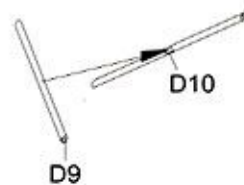
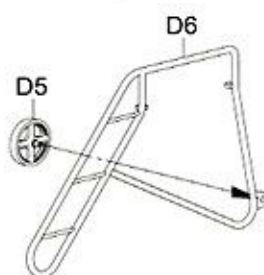
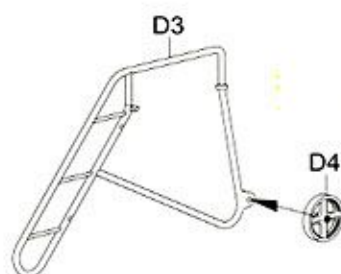
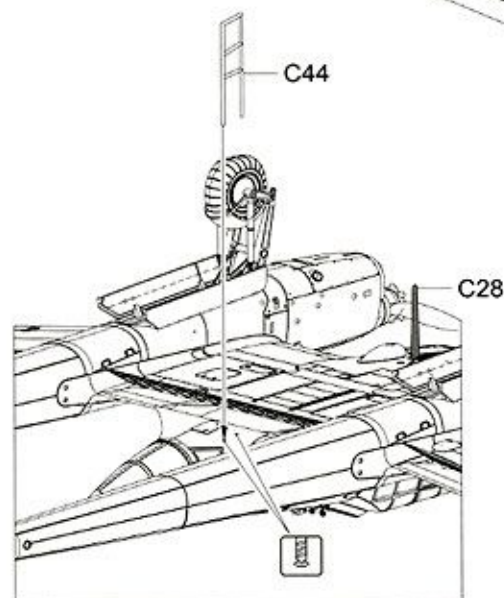
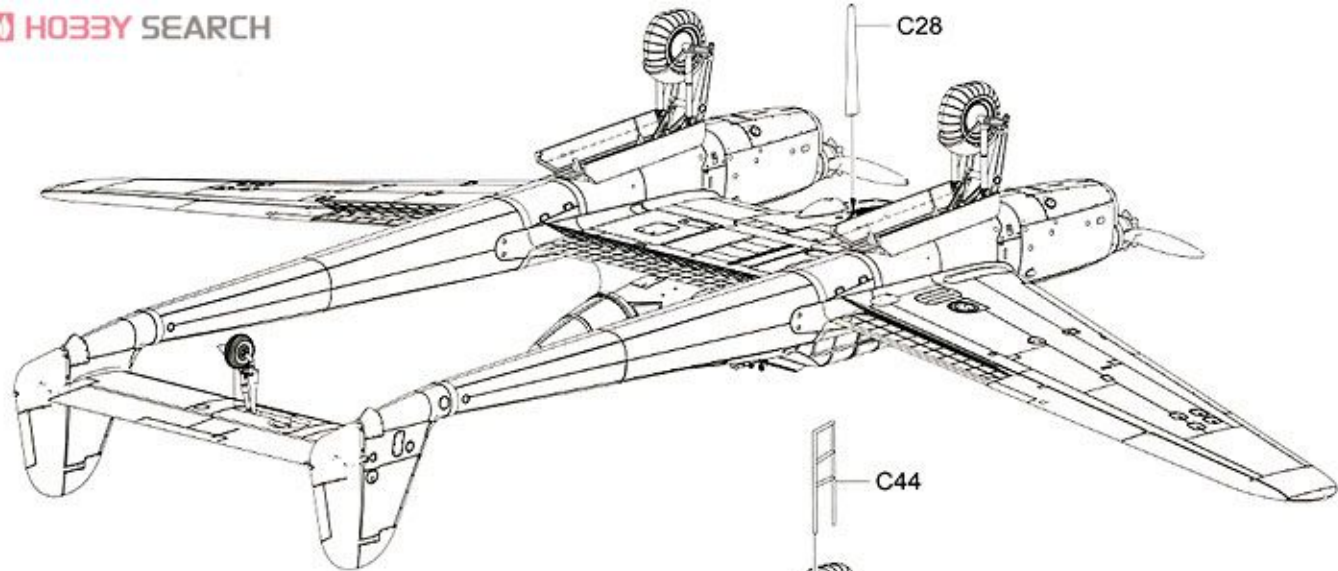


减速板关闭状态
Air brake closed

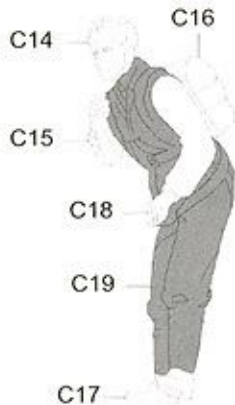
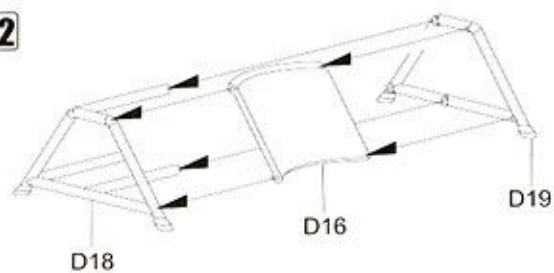


减速板打开状态
Air brake opened

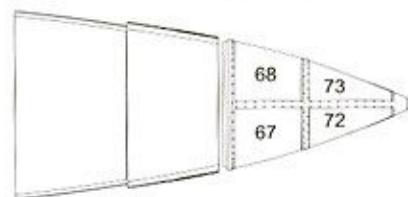
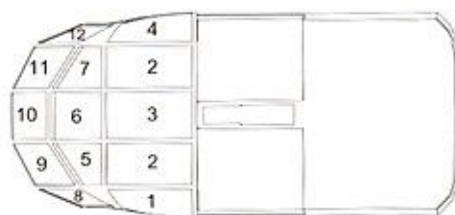
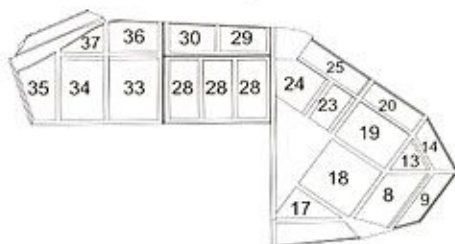
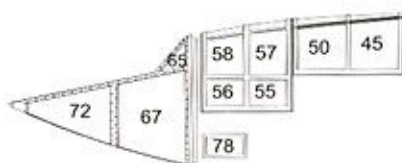
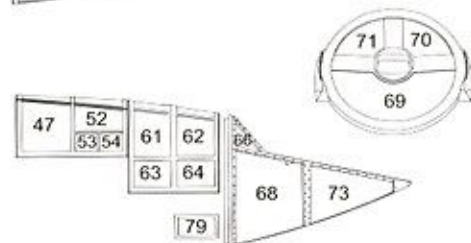
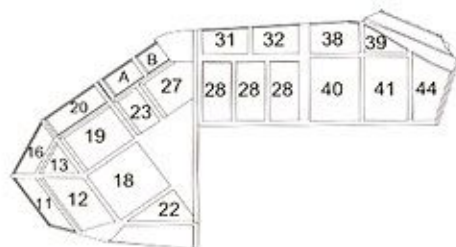
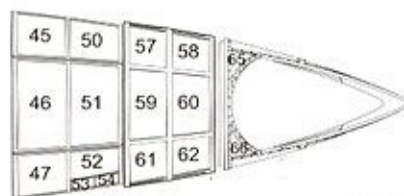
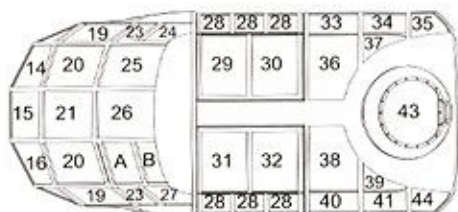
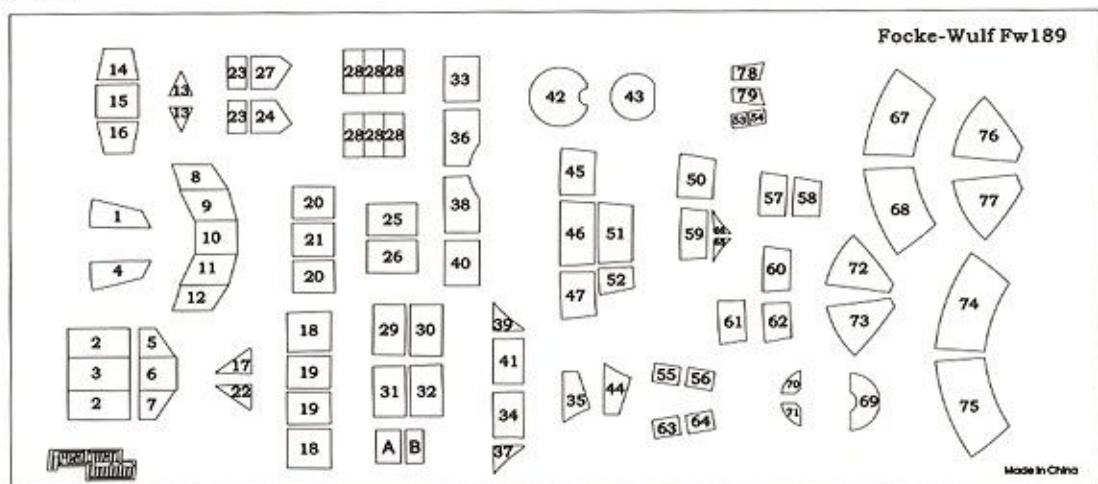


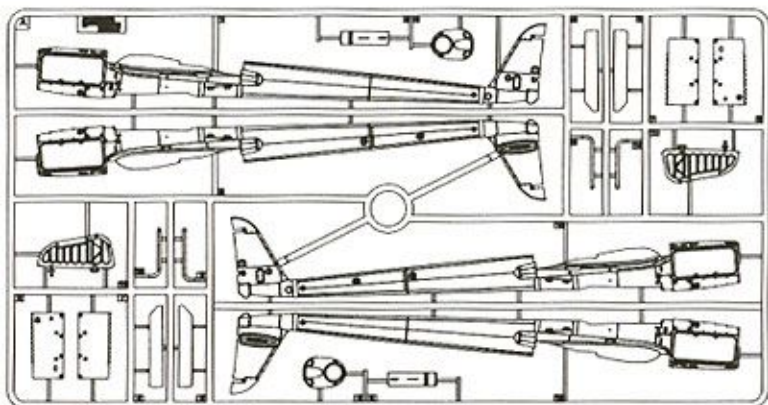


x2

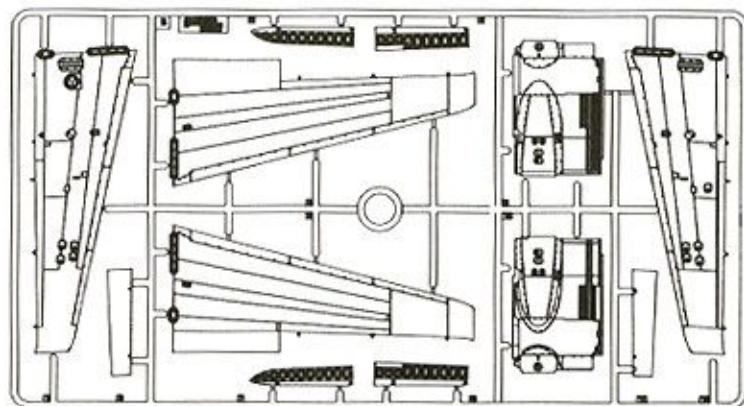


窗贴
Canopy mask

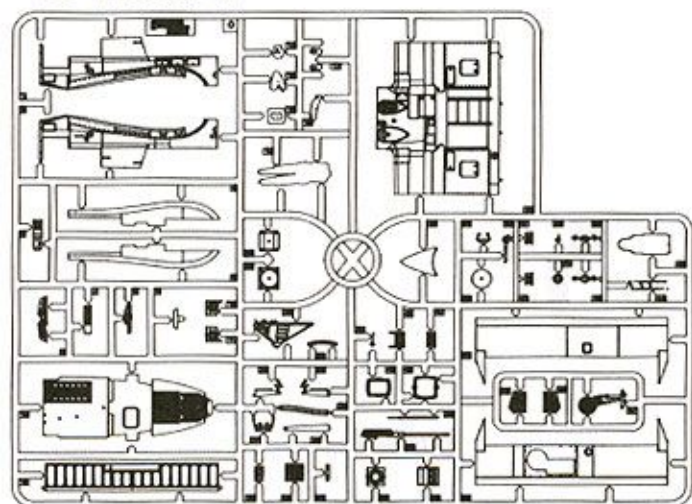




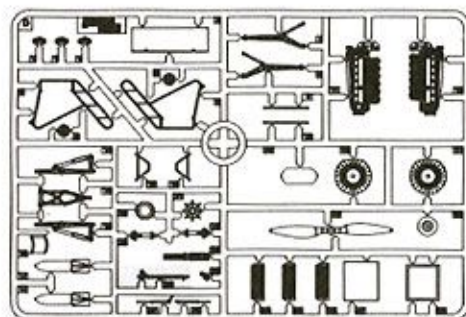
B PARTS X1



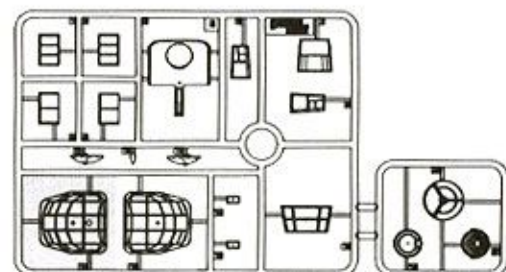
C PARTS X1



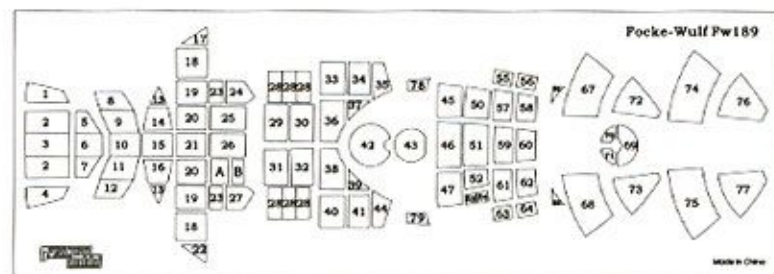
D PARTS X2



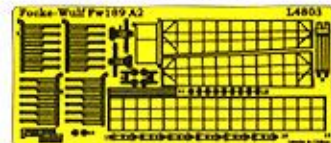
E PARTS X1



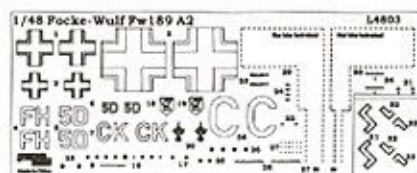
CANOPY MASK PARTS X1



PE PARTS X1



DECAL PARTS X1



Parts not for use
不需要板件零件

