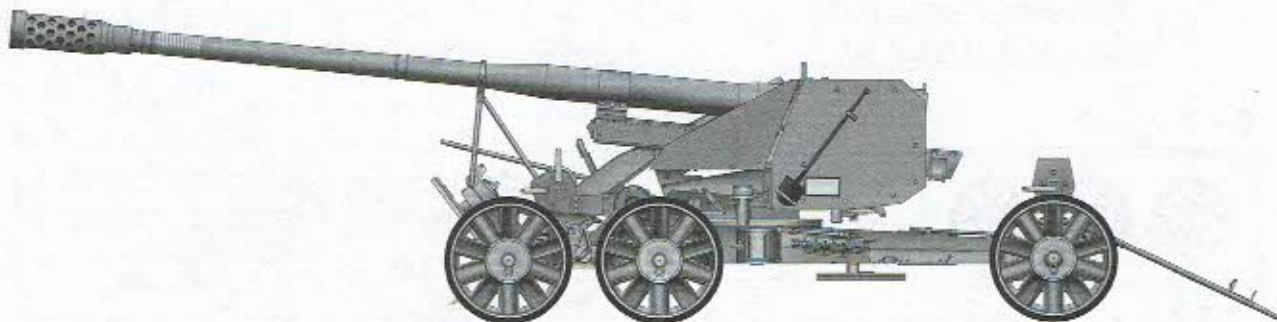


# German 12,8-cm-Kanone 43 bzw.44(Rh)

德国128毫米K44(莱茵金属)反坦克炮



## READ BEFORE ASSEMBLY:

- Study and understand these instructions thoroughly before beginning assembly
- When needed, remove photo-etch parts carefully using a modeling knife or photo etch sprue cutter, being careful not to damage or lose small parts.
- Take extra care in handling photo etch parts in order to avoid injury
- Apply instant cement sparingly to photo etch parts where instructed
- Tools recommended(not included in kit):Plastic and instant cements, sprue cutters,long nose pliers,modeling knife, small files, tweezers, pin vise & scissors. Soft cloth and sandpaper will also assist in construction
- Glue and paint are not included in the kit. Use plastic cement and hobby paints only. Color guide for purchasing paint is included in the kit.

## 装配之前仔细阅读

- 小心用模型锉刀锉平所有零件表面的注射浇口。
- 小心用刀片切下蚀刻片零件，不要遗失小零件。
- 用强力快干胶水粘合蚀刻片零件和金属轴。过量快干胶水使用可能导致可动零件会粘住，小心涂胶。
- 取蚀刻片时应特别注意安全，防止利边划伤手指。
- 某些零件表面需贴水上贴纸，请选择在装配的同时进行。
- 推荐模型工具(自备)：胶水，水口剪刀，长咀钳，刀片，锉刀，镊子，钳，钻，剪刀，瞬间快干胶。
- 软布同砂纸同时也应该是必备工具。
- 请使用塑料胶水和油漆，模型内不含。



配重  
Weight



使用强力胶  
Cyanoacrylate glue



钻孔  
Make hole



切除  
Cut / Remove



贴纸  
Decal



锉平  
File / Sand



选择  
Option



不涂胶水  
No cement



弯曲  
Bend

## 水贴纸的使用:

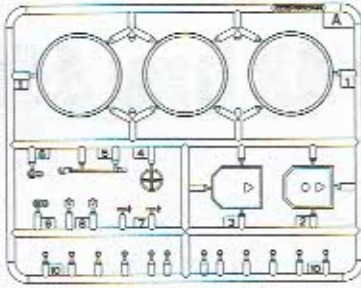
- 1.从水贴纸上剪下印花;
- 2.将印花放入温水中浸10秒, 然后放在干净布上。
- 3.拿着印花纸板将印花移到模型上;
- 4.手指蘸水将印花移到适当的位置;
- 5.用软布轻压印花直至水干, 气泡消失

## DECAL APPLICATION

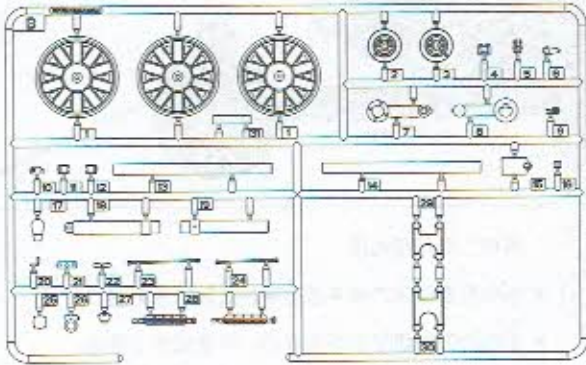
- 1.Cut decals from sheet as needed
- 2.Dip the decal in warm water for about 10 seconds and then place on soft clean cloth.
- 3.Hold the decal backing sheet edge and gently slide the decal onto the model in its proper position.
- 4.While still wet,decal can be adjusted for better fit on model by dampening it gently with your finger.
- 5.When placed in the proper position,gently press decal down with a soft cloth until excess water and air bubbles are gone.
- 6.Allow decal to dry completely before handling model

部品图  
Parts

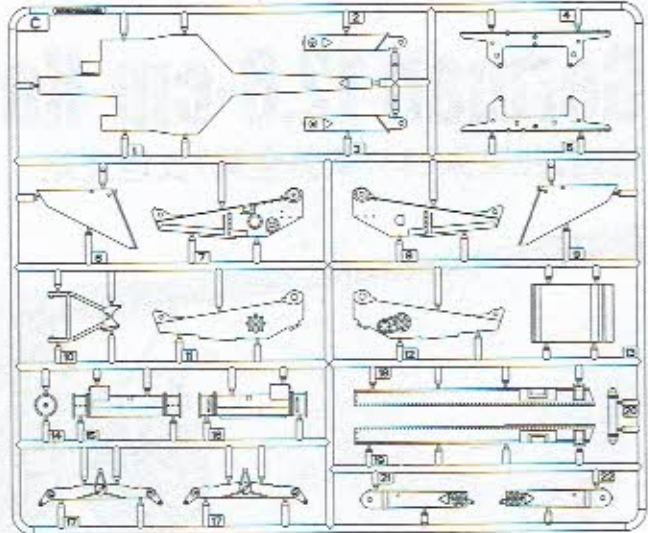
A × 4



B × 2



C



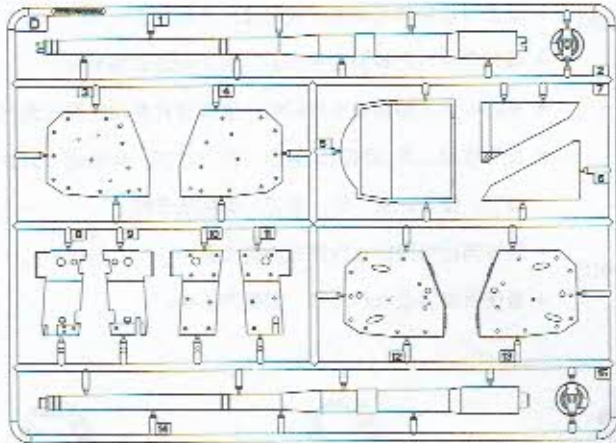
《炮架A》  
FRAME-A



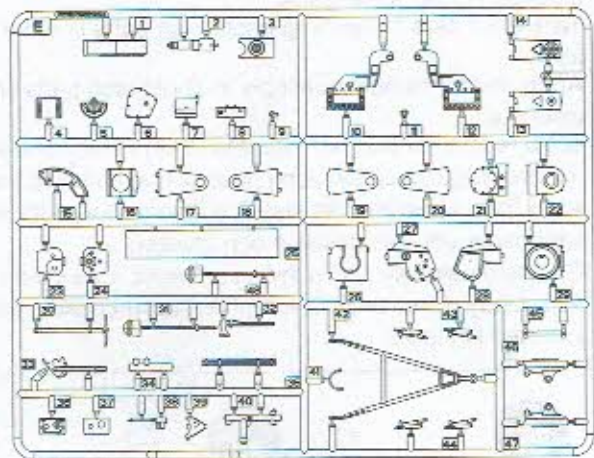
《炮架B》  
FRAME-B



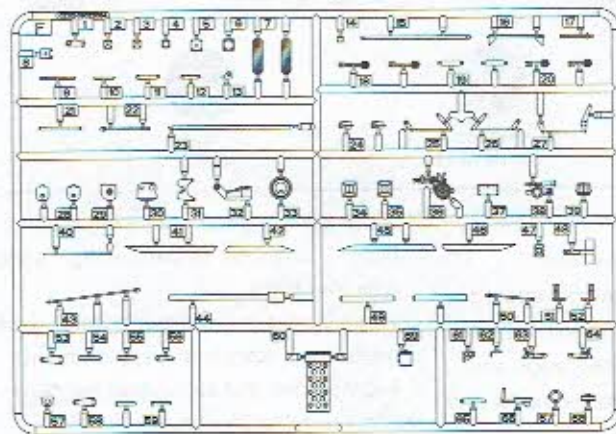
D



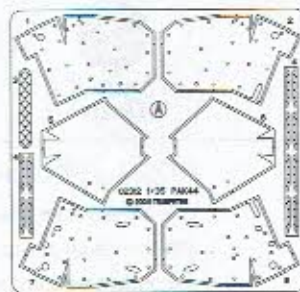
E



F



《蚀刻片A》  
PE-A

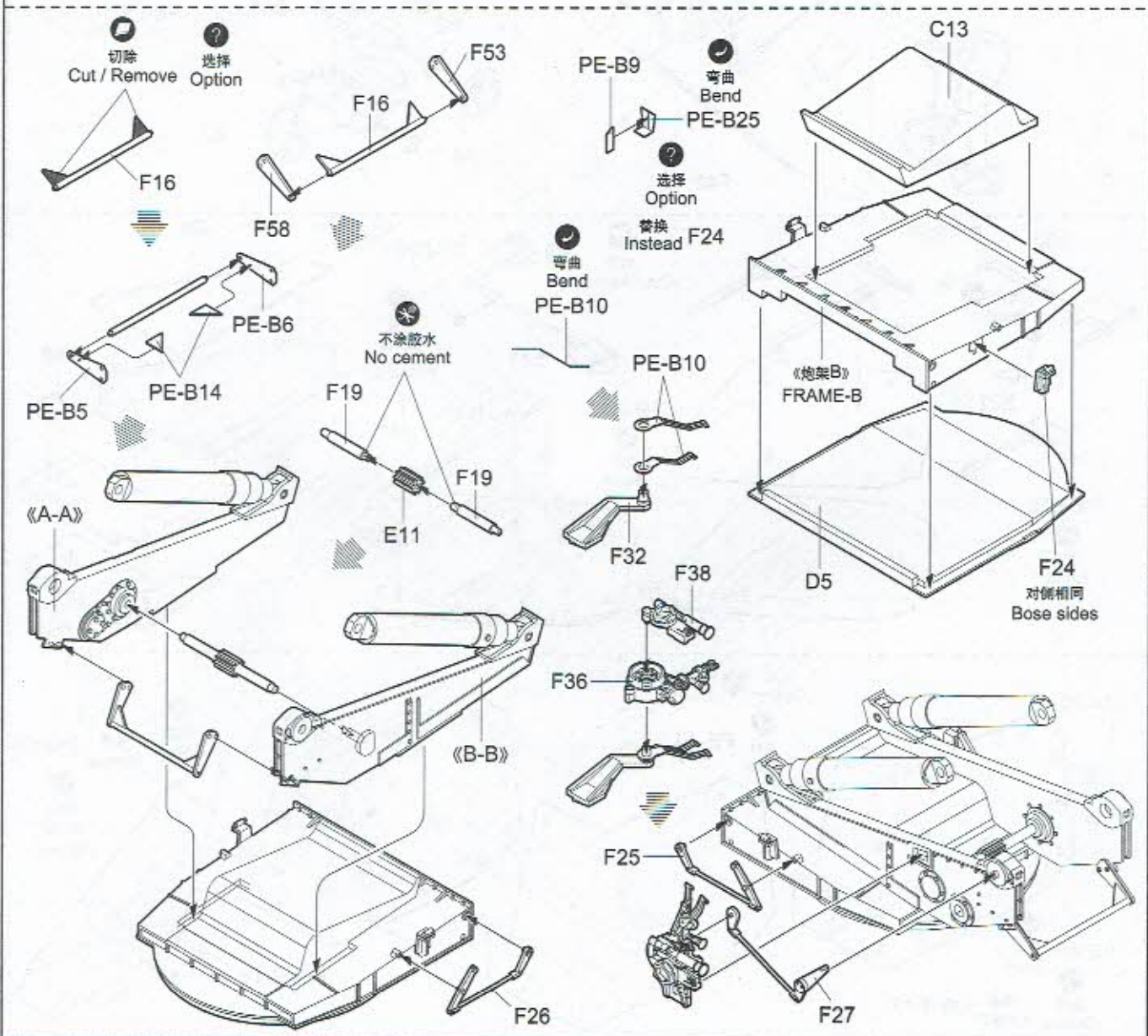
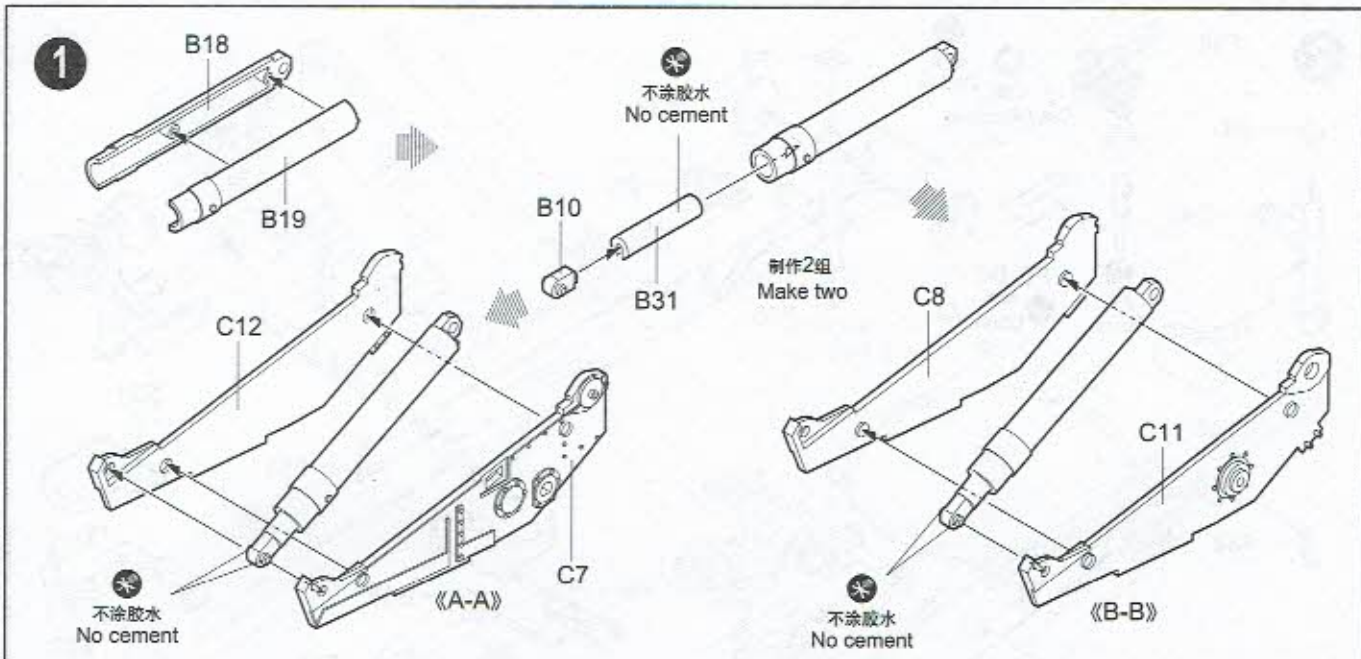


《蚀刻片B》  
PE-B



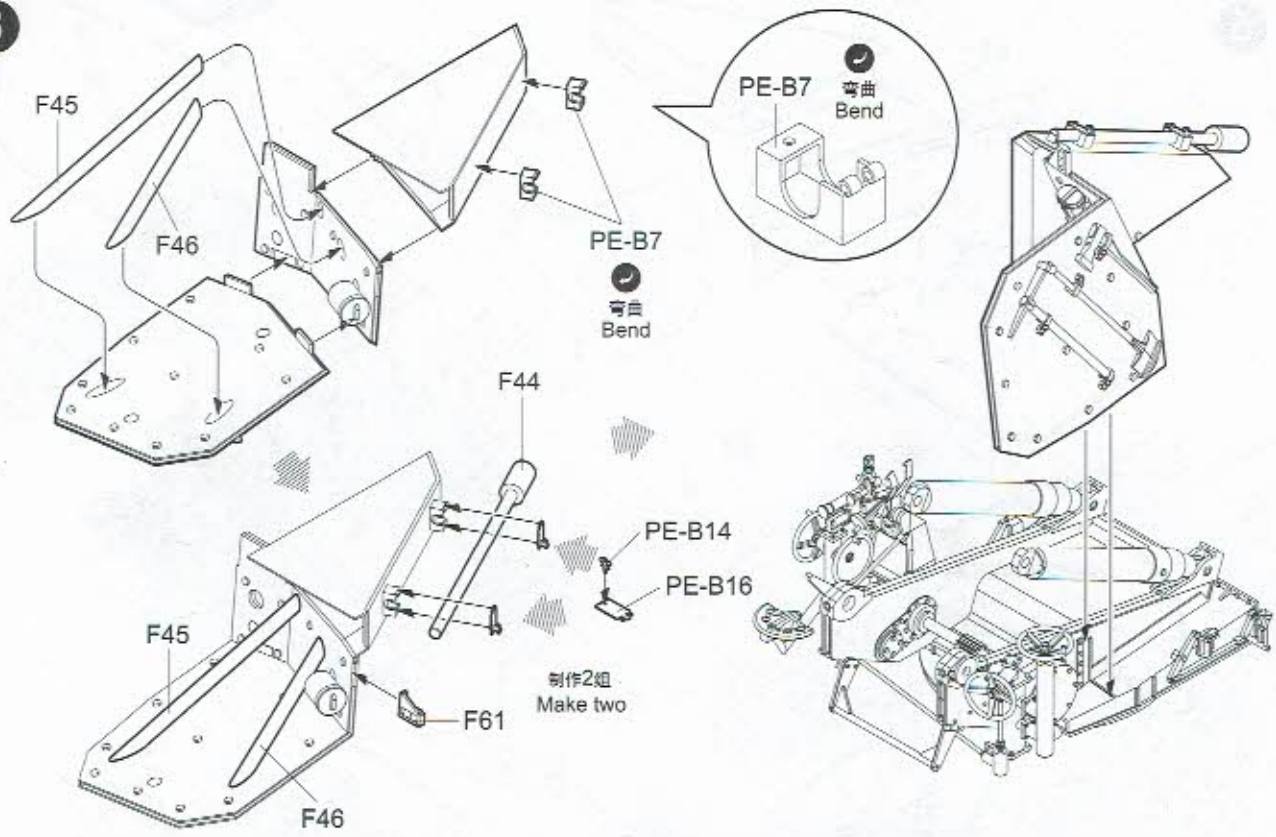
《水贴纸》  
Decal



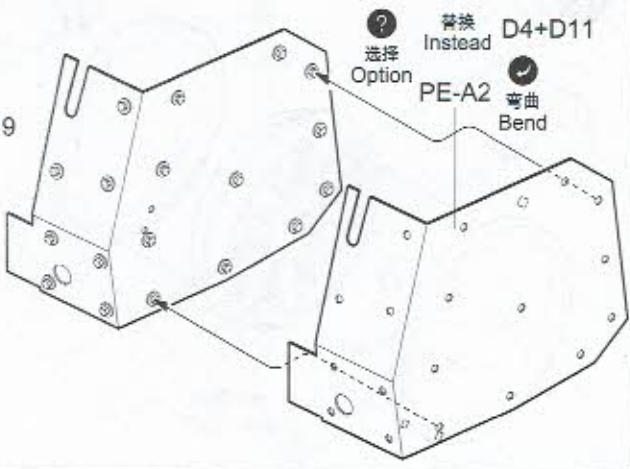
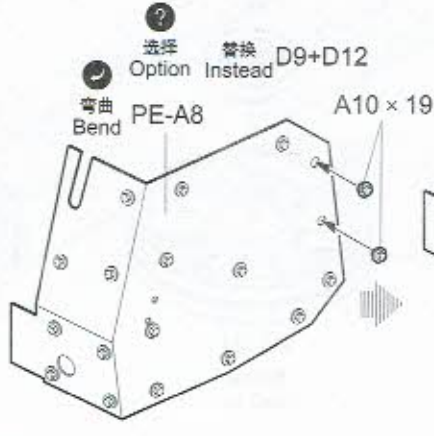
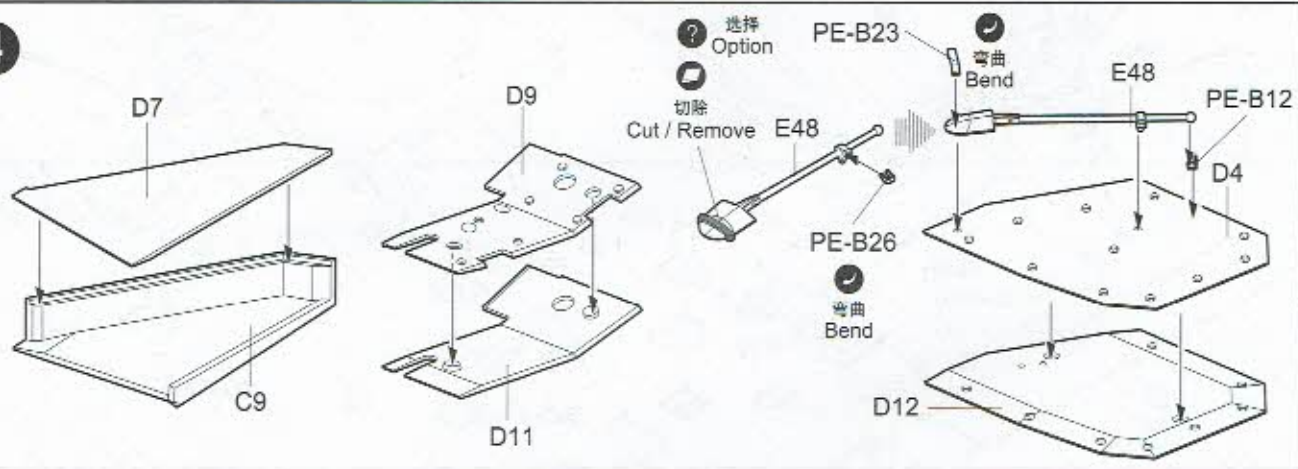




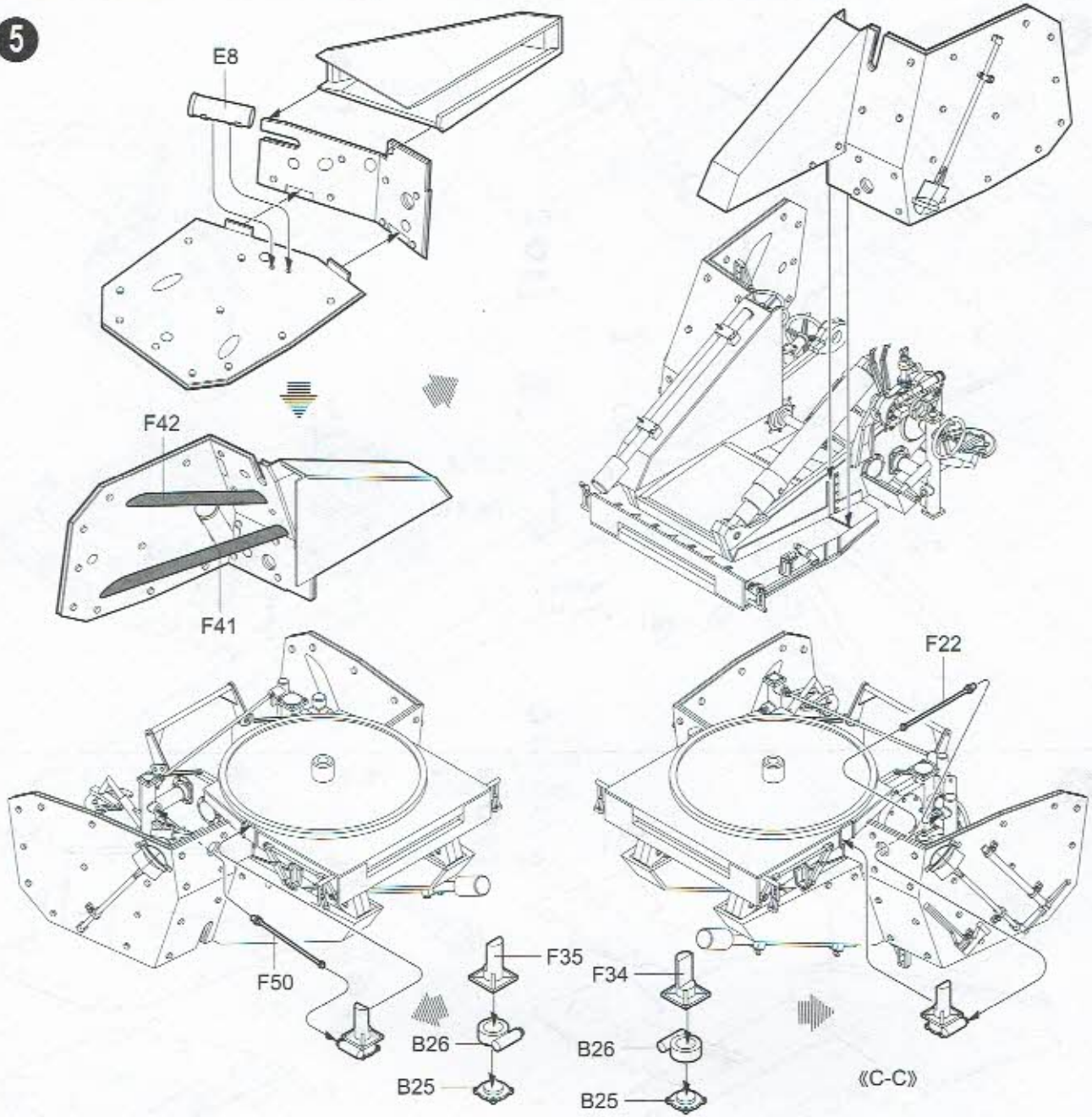
3



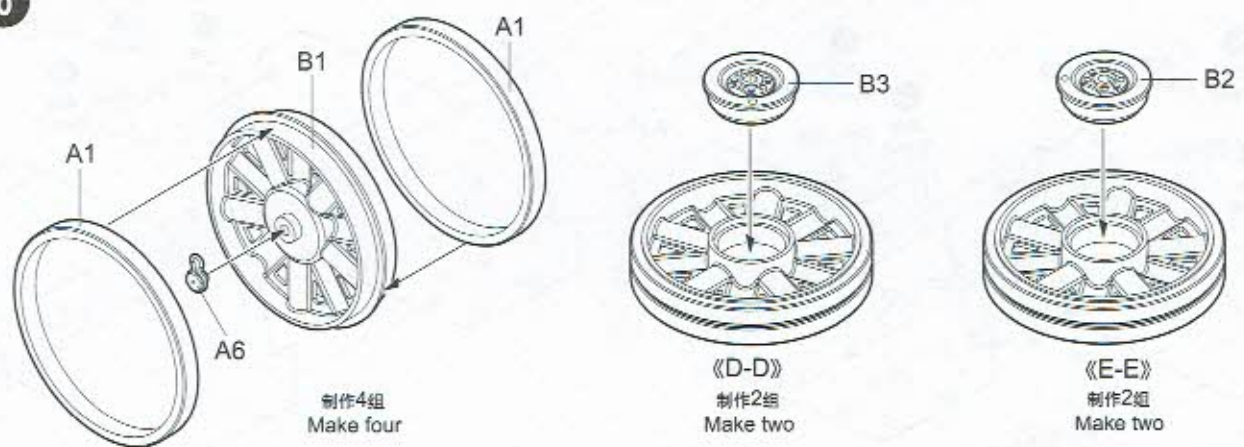
4



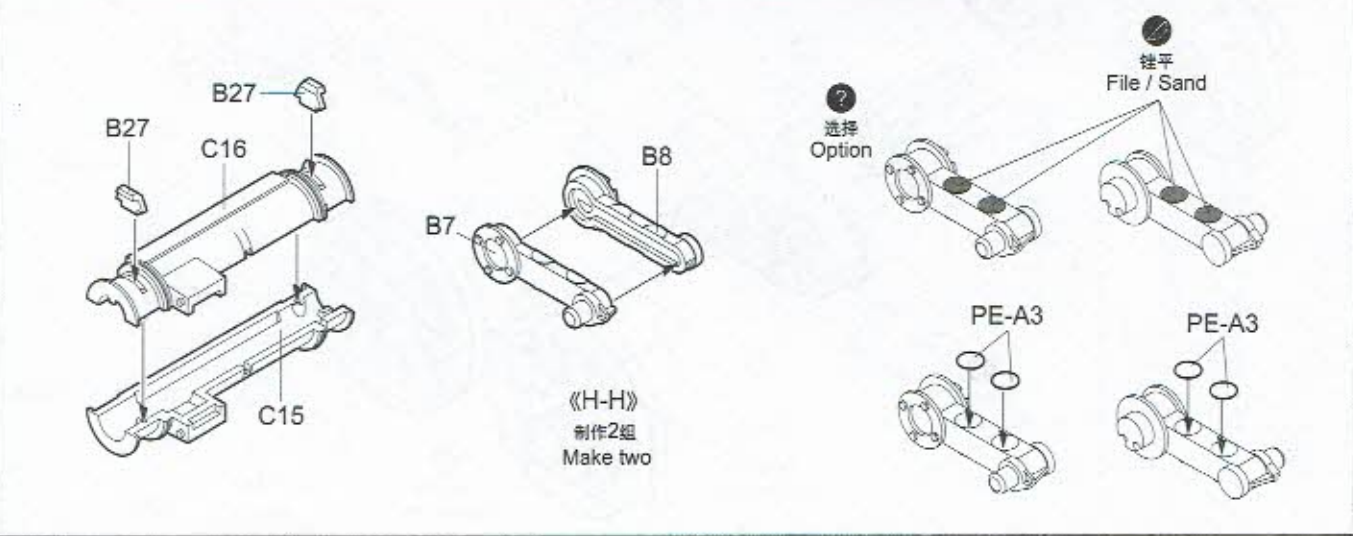
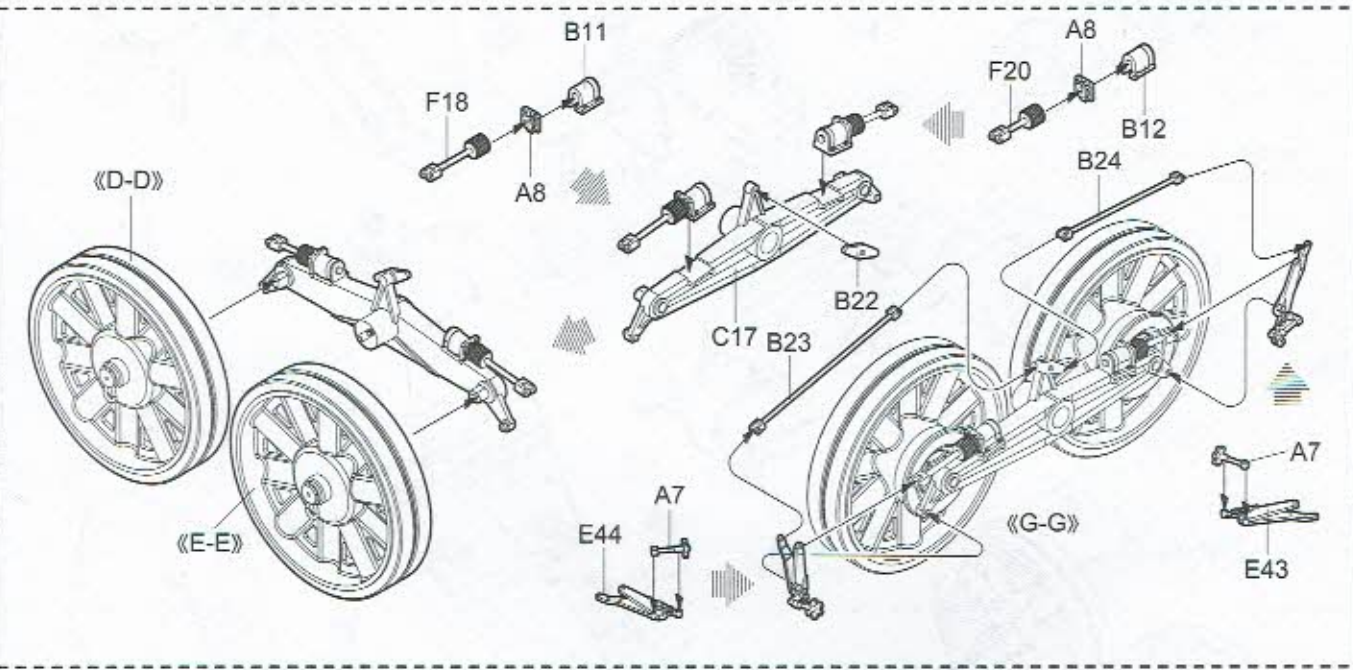
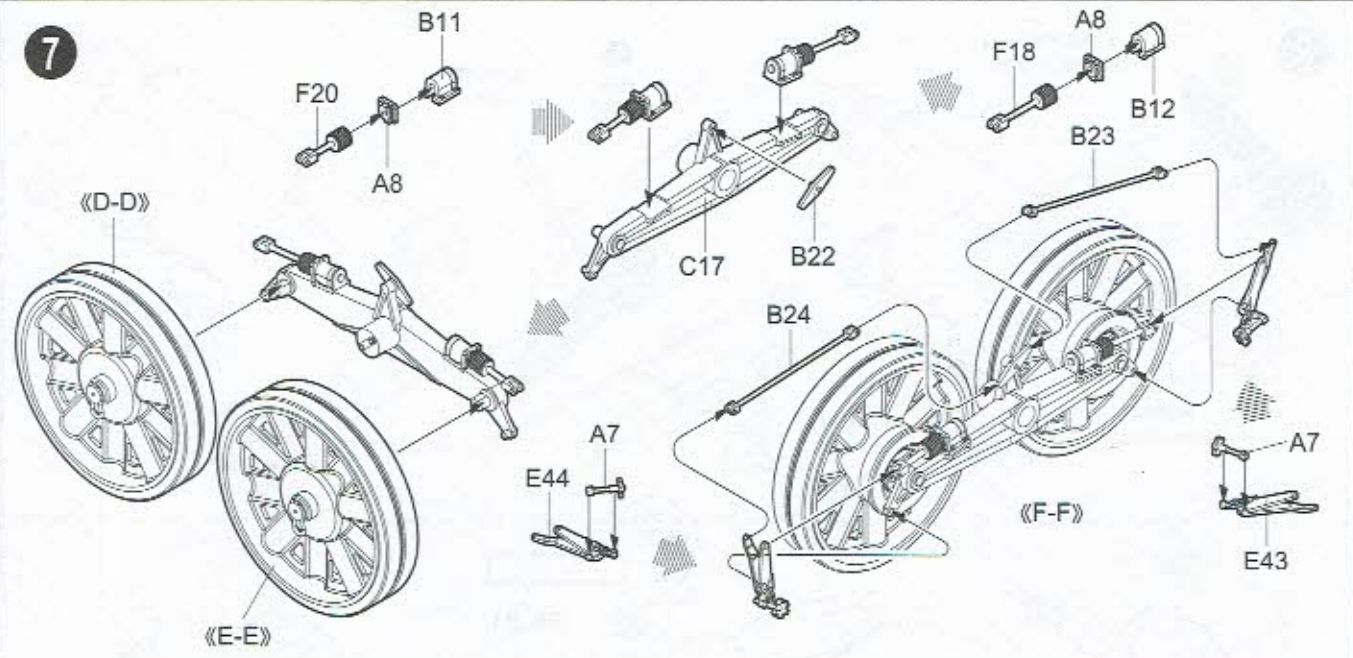
5



6



7

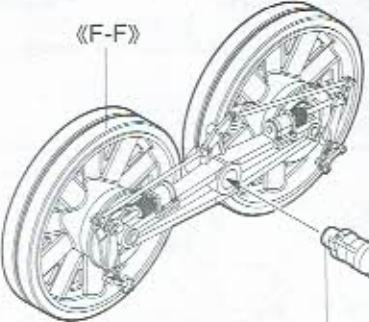
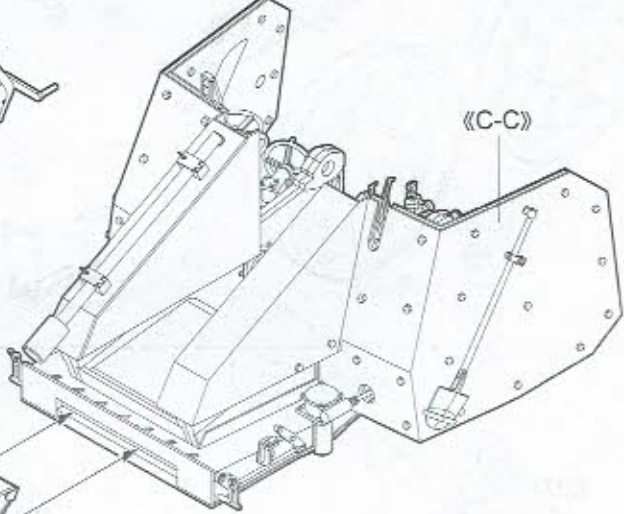
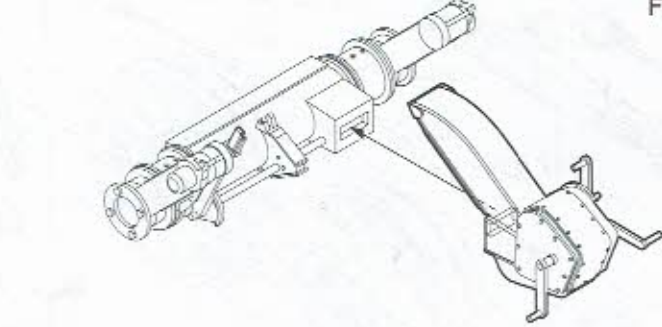
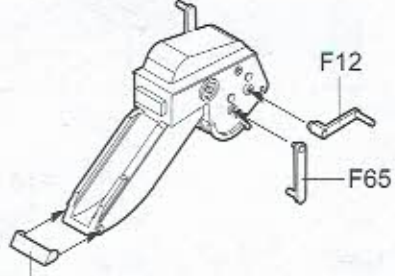
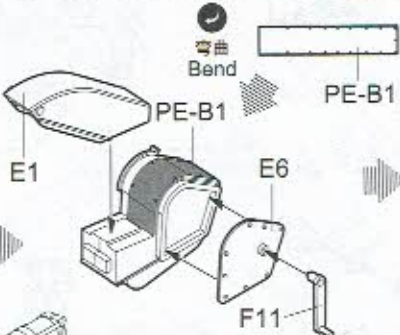
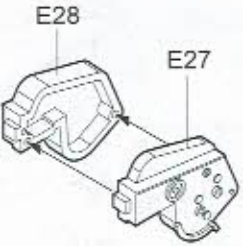
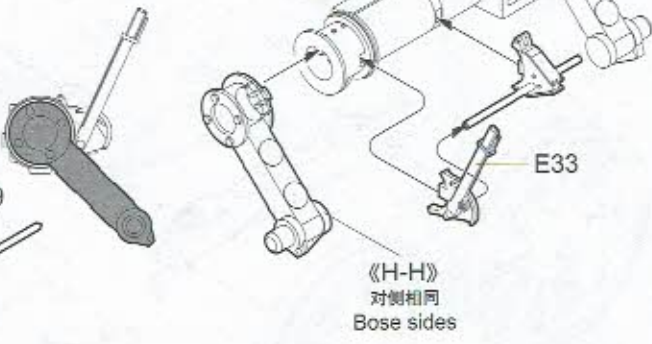
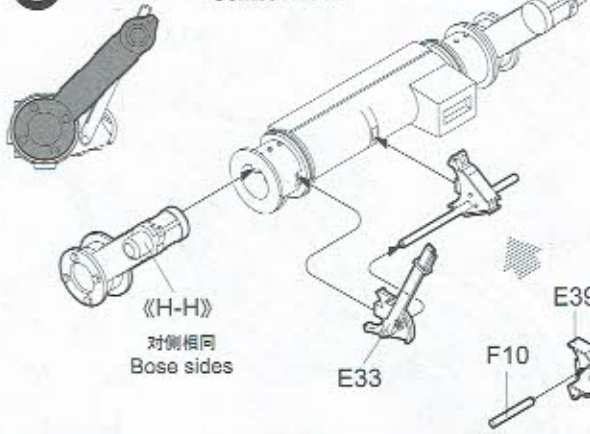


8

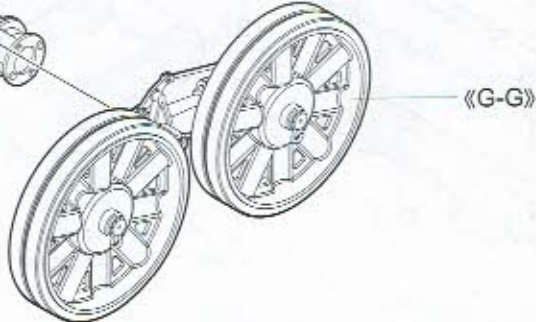
作战状态  
Combat mode

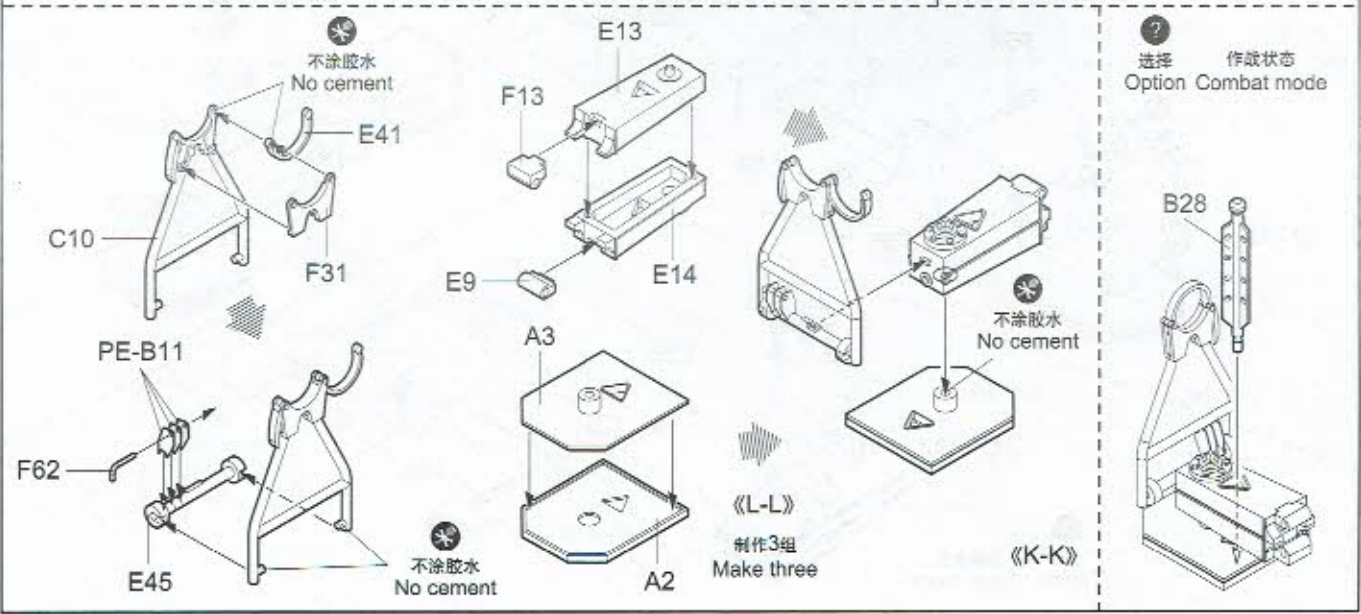
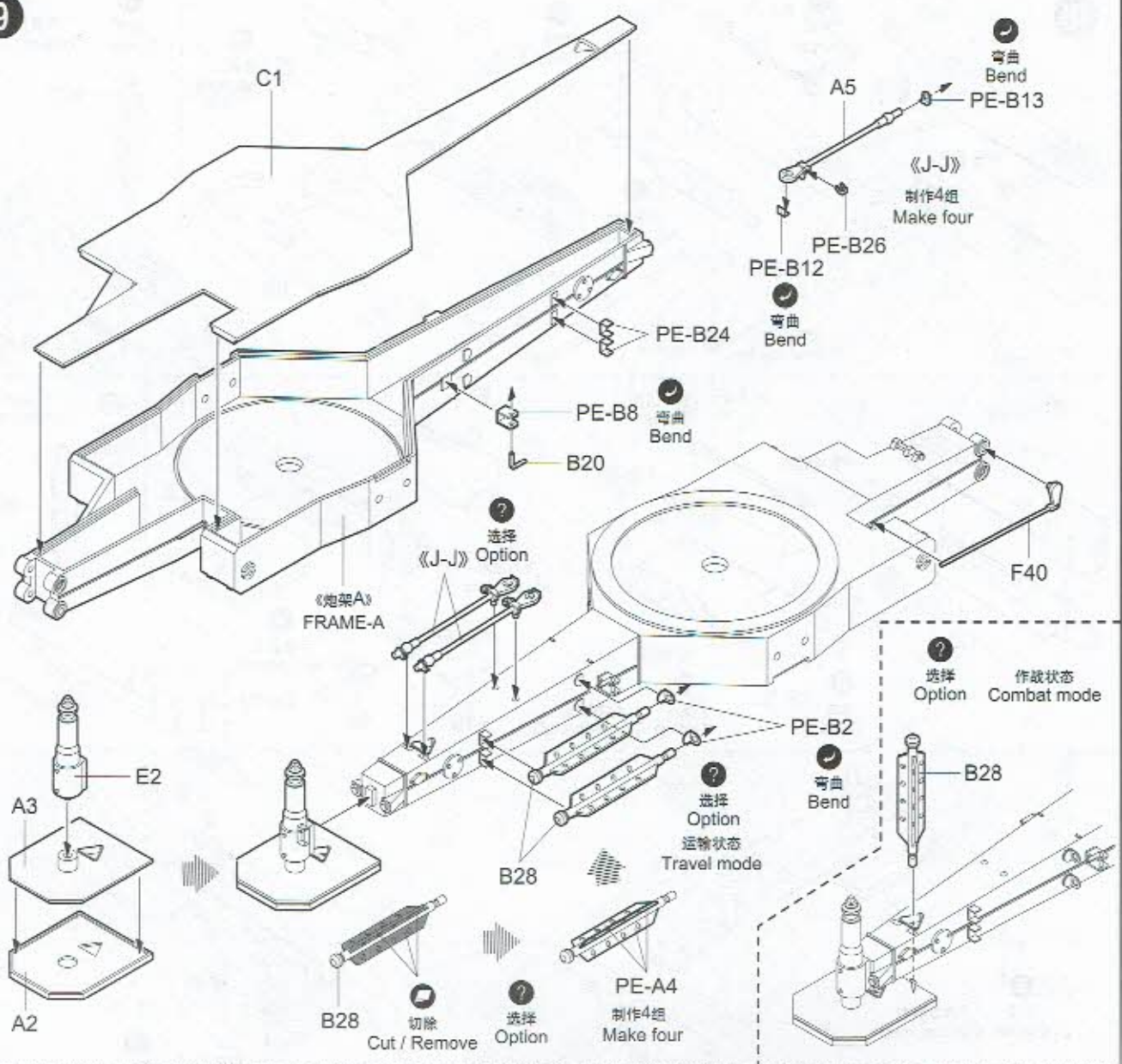
7  
选择  
Option

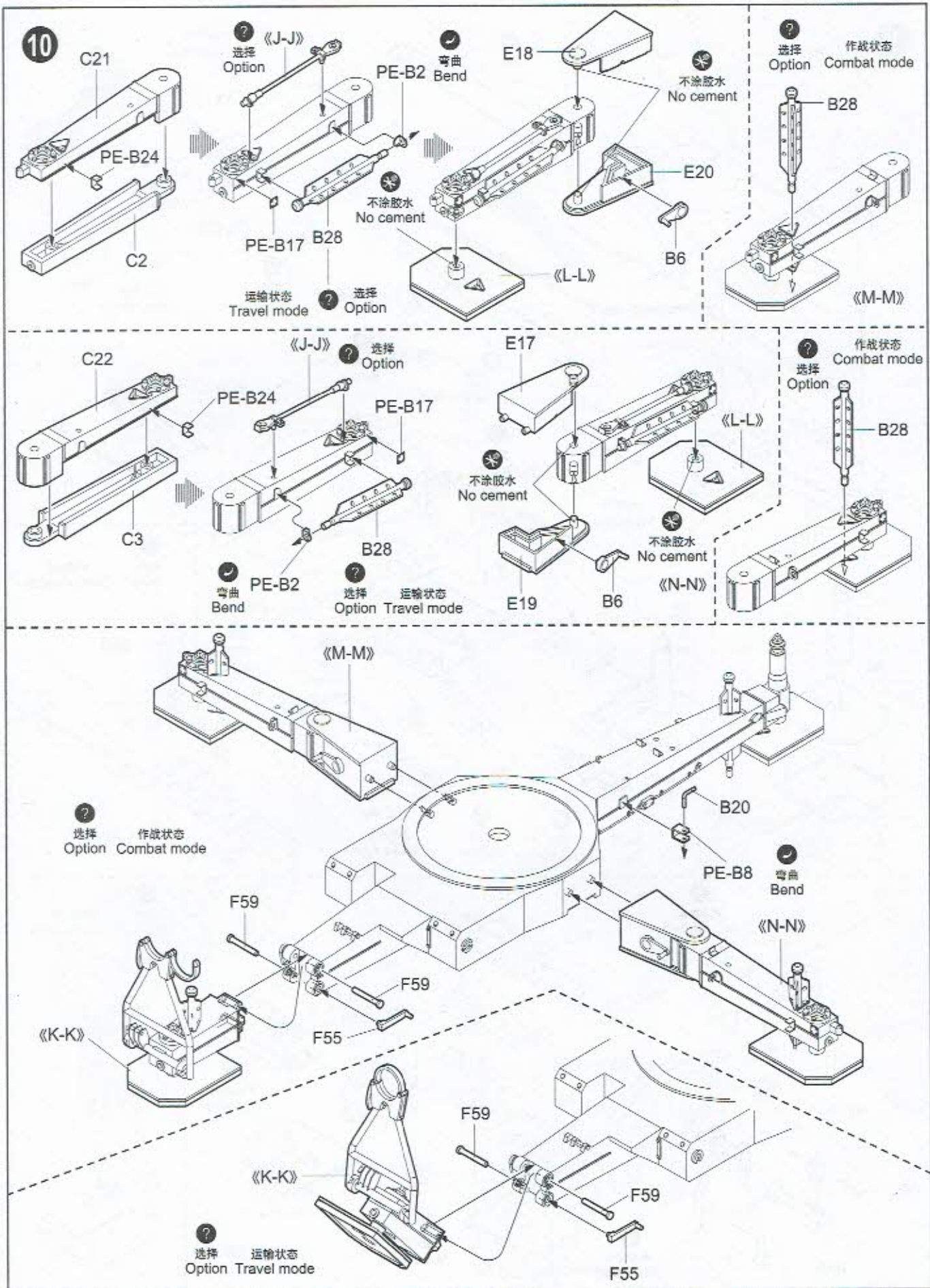
运输状态  
Travel mode



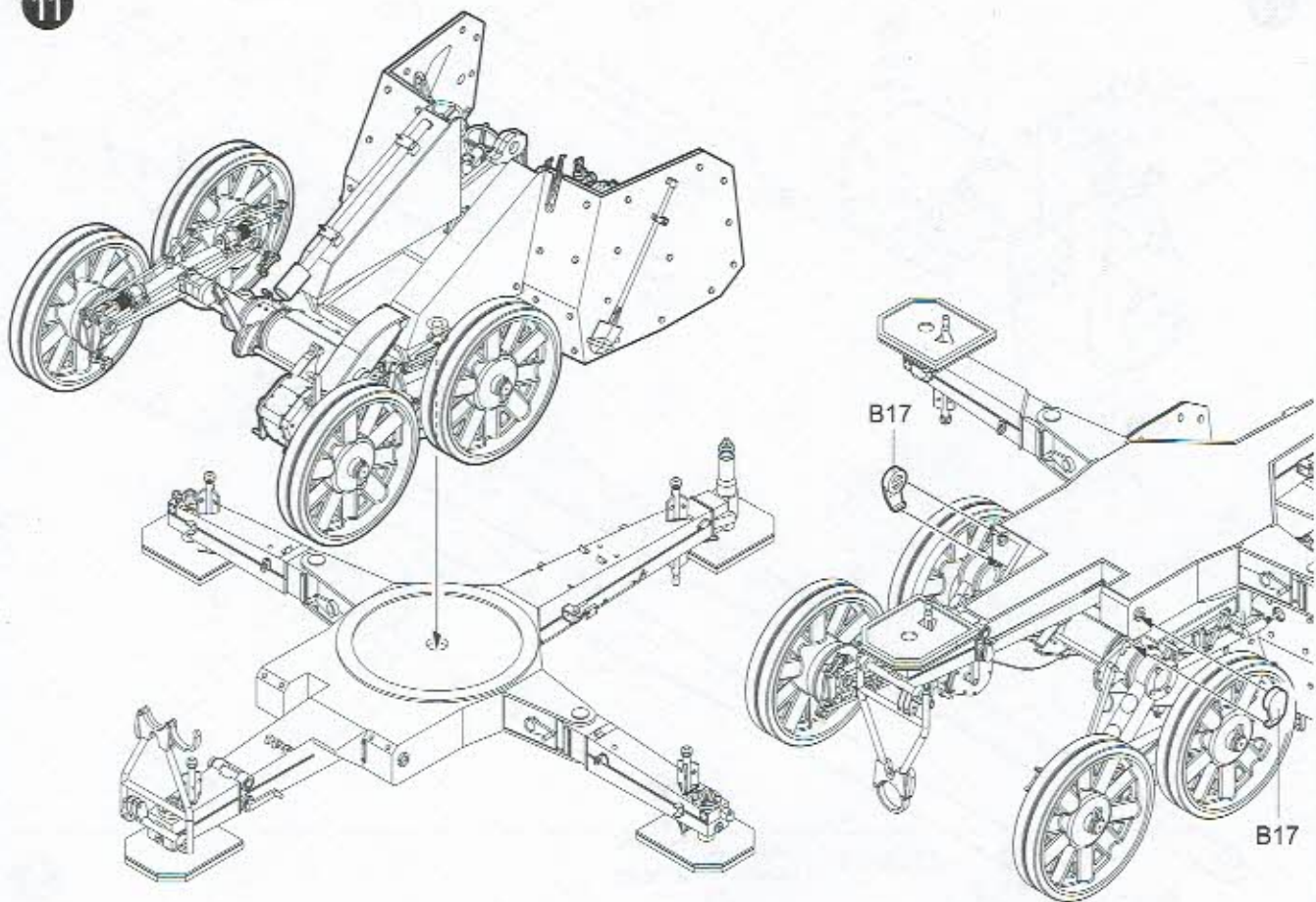
不涂胶水  
No cement



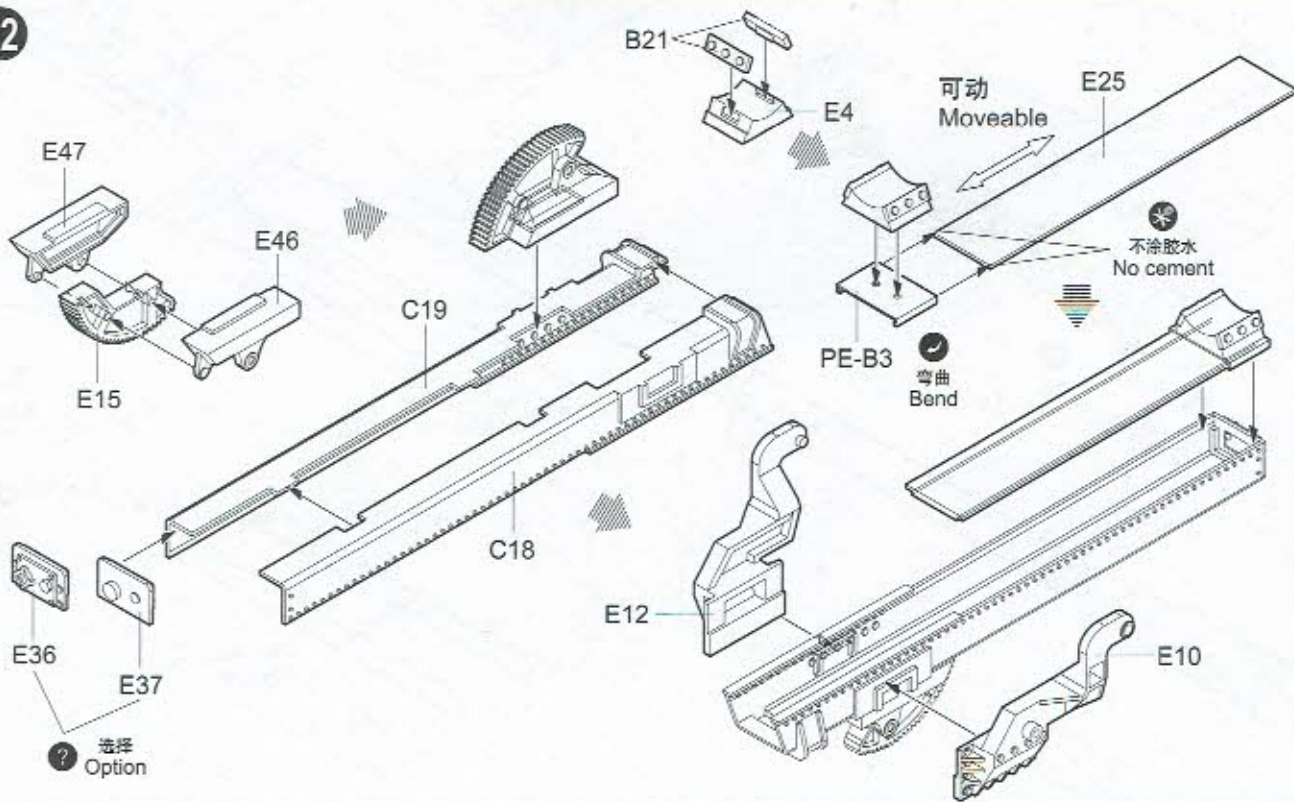




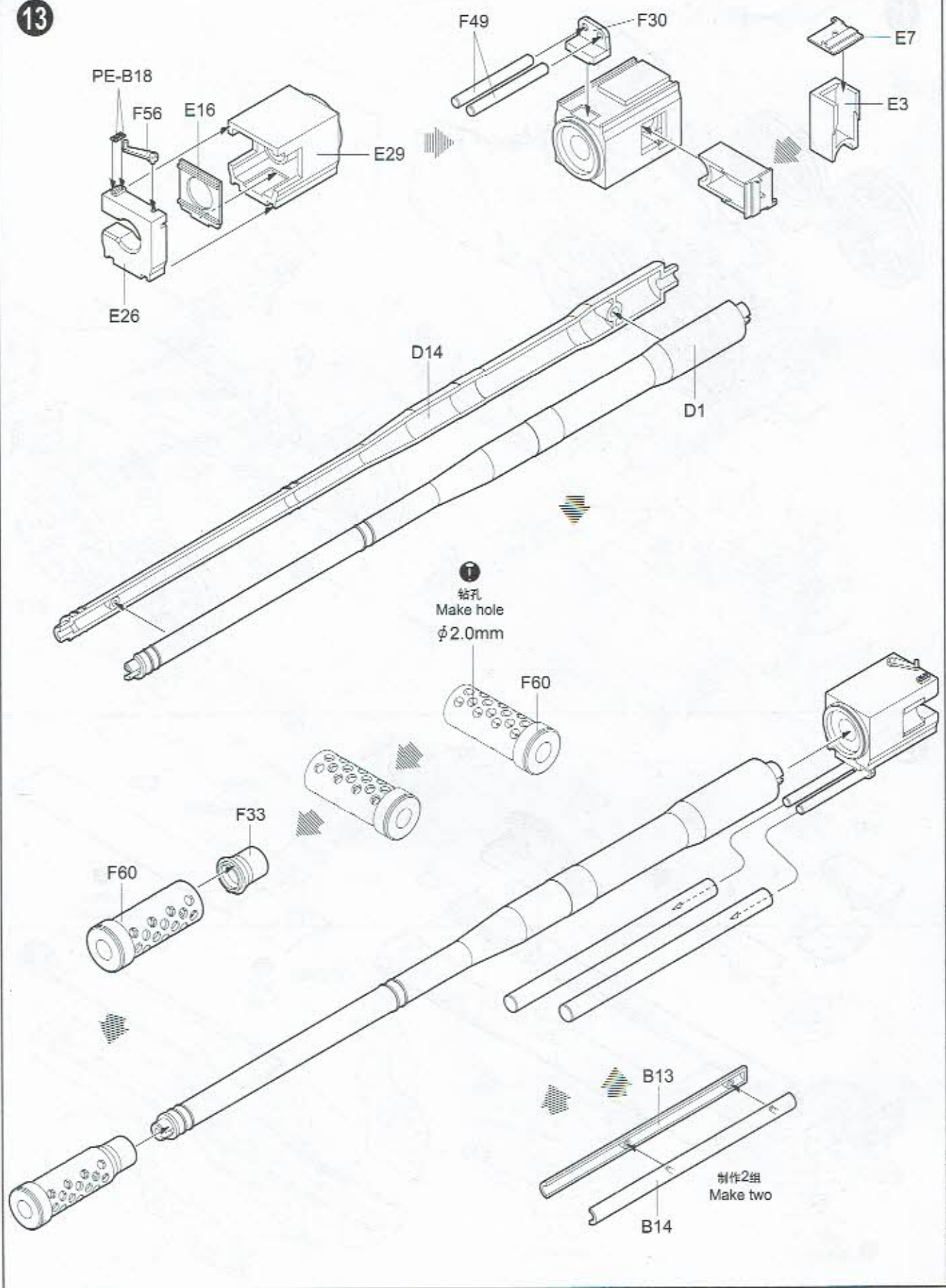
11



12

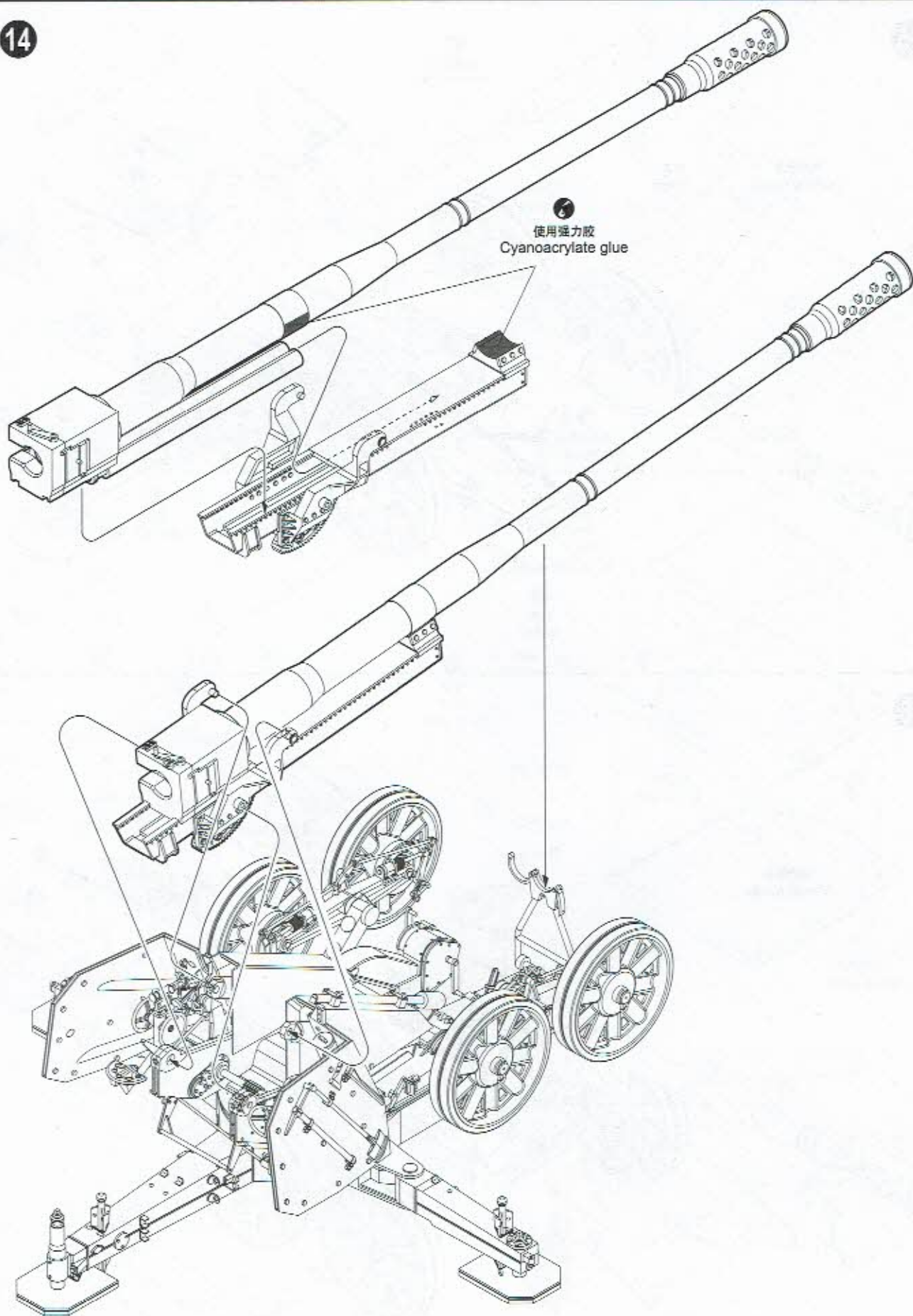


13



14

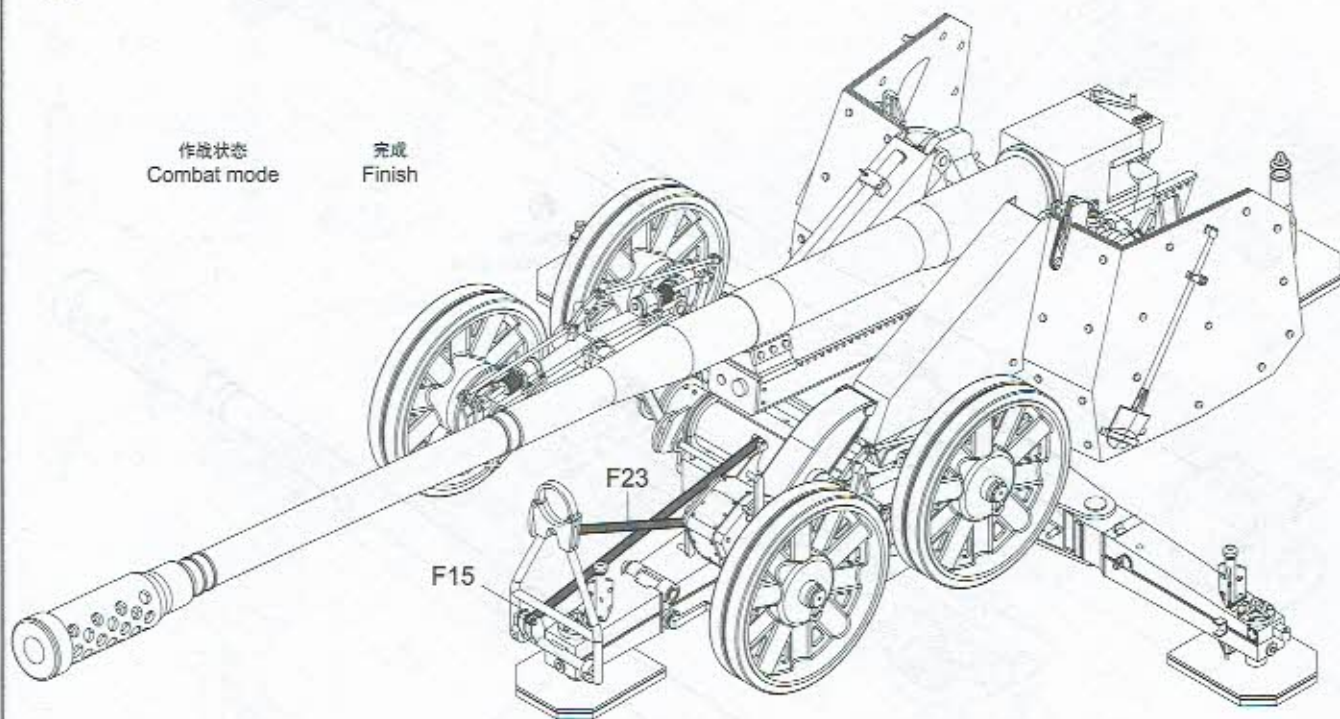
●  
使用強力胶  
Cyanoacrylate glue



15

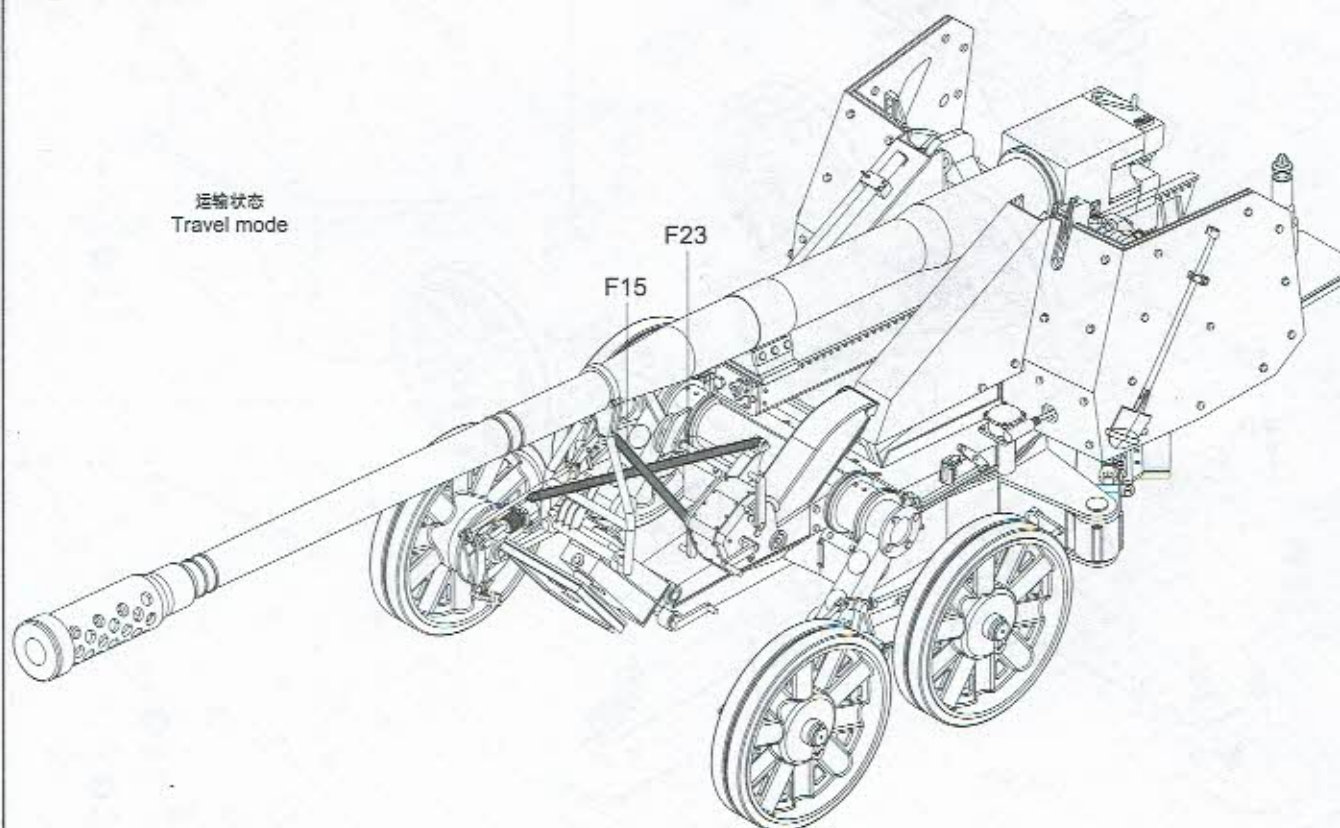
作战状态  
Combat mode

完成  
Finish

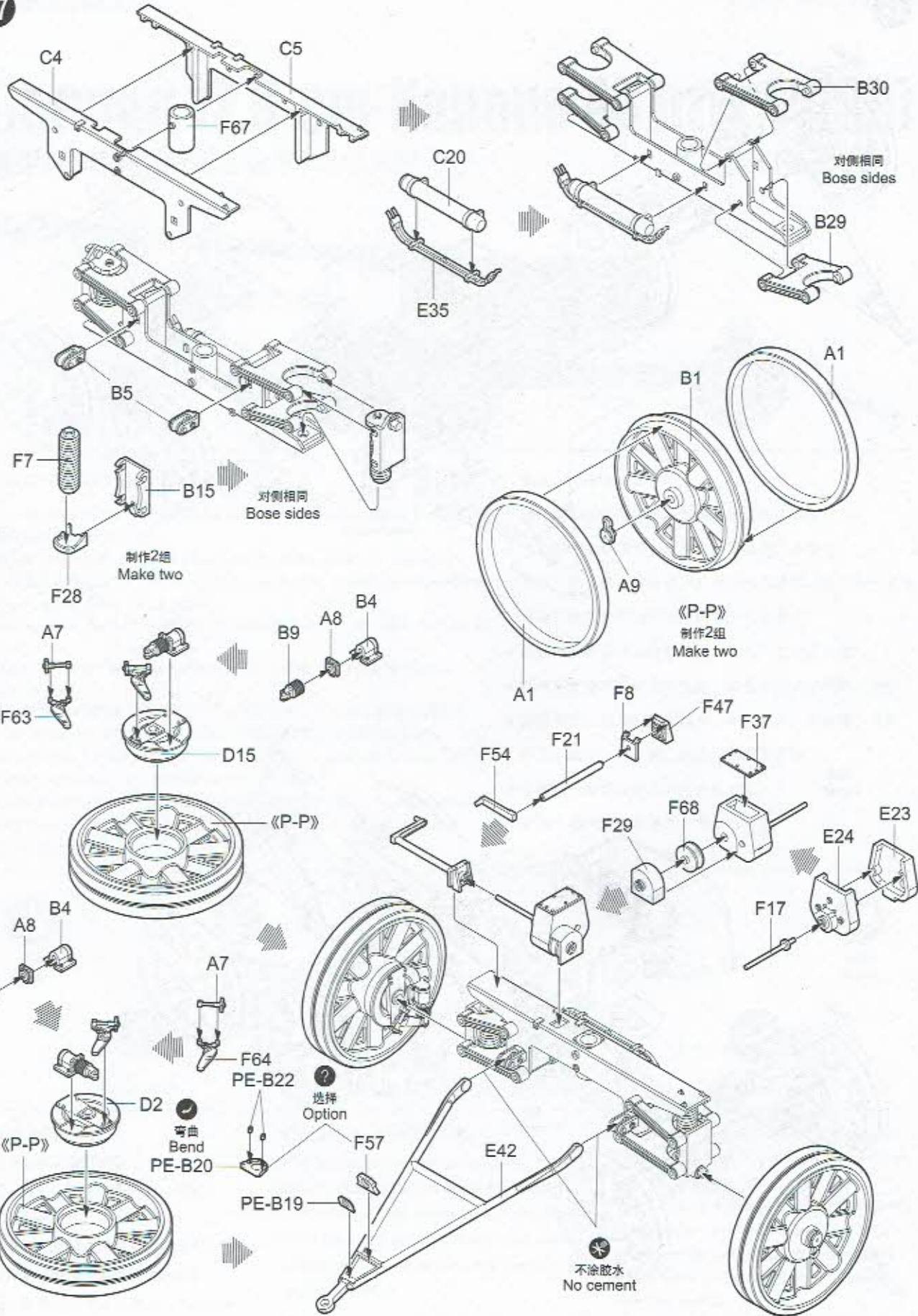


16

运输状态  
Travel mode

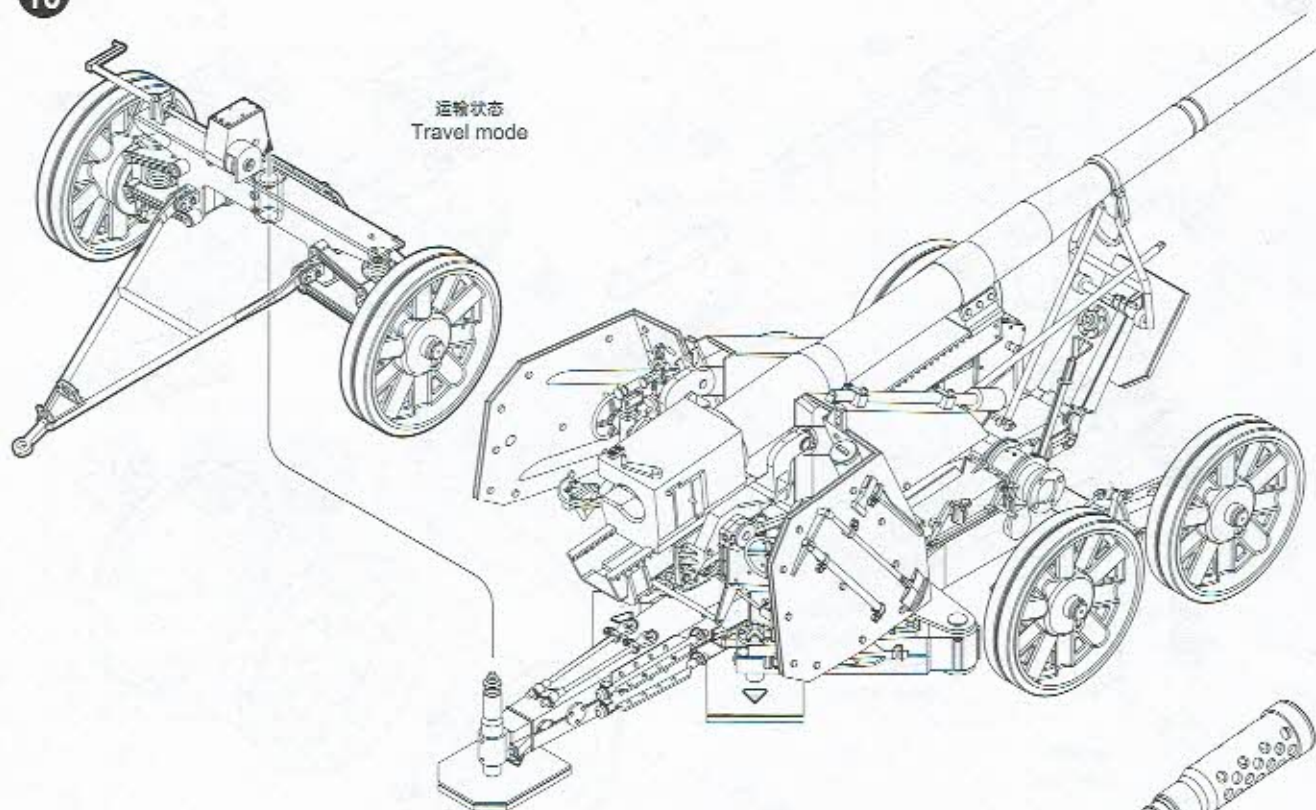


17

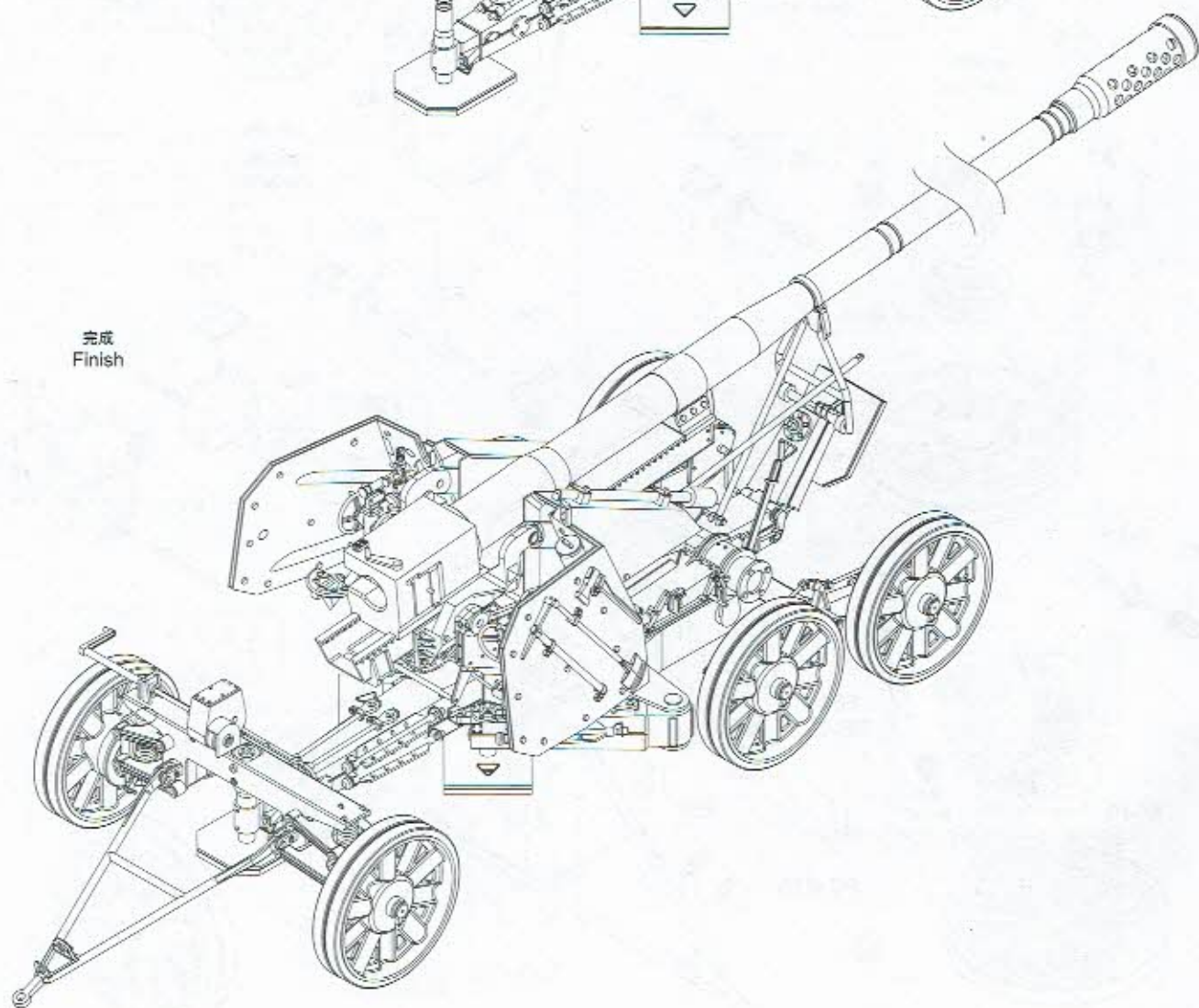


18

运输状态  
Travel mode



完成  
Finish



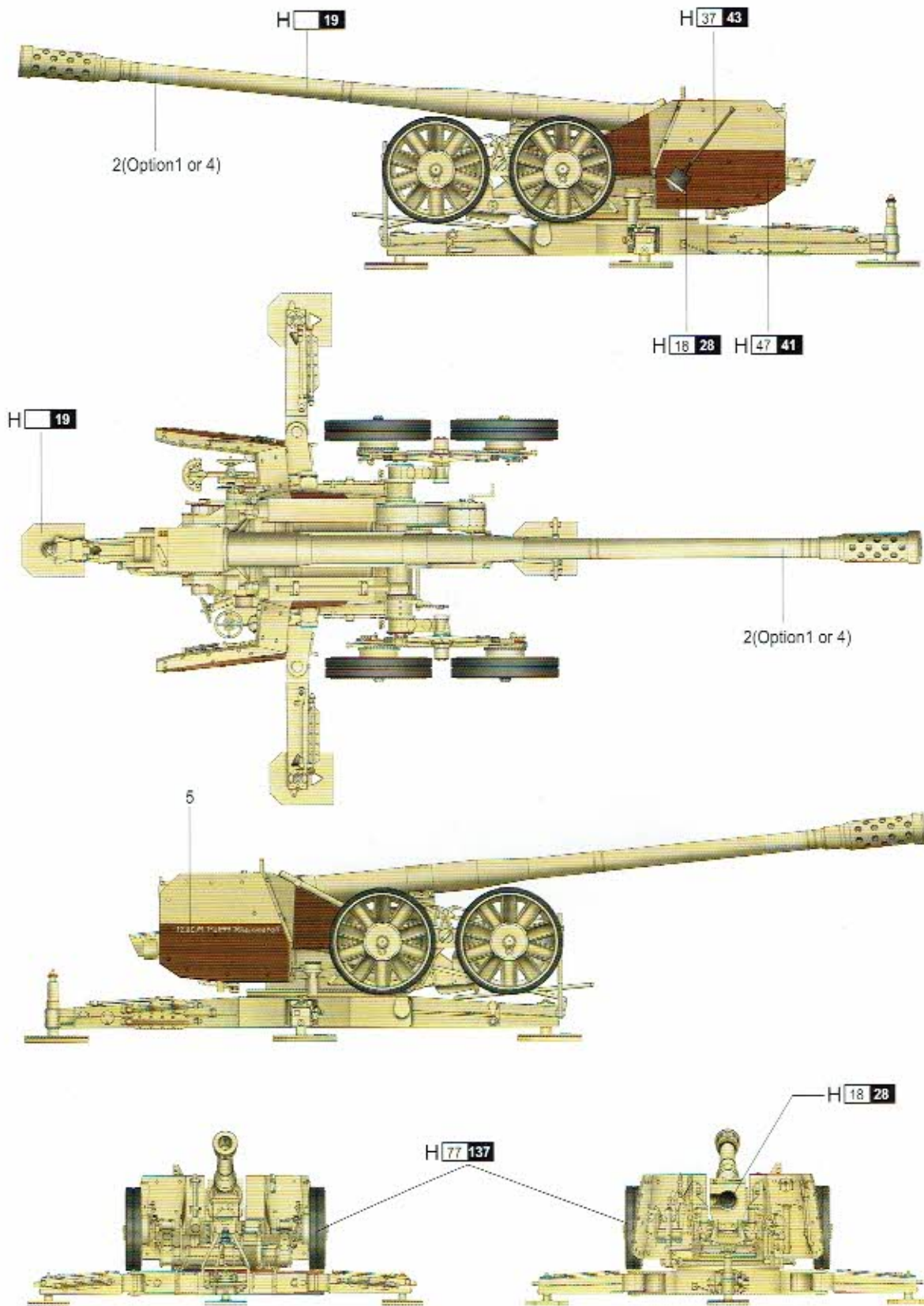
# 涂装同标贴指示

## Painting & Marking guide

**B**

### PAINT REFERENCE COLOUR

Color	Mr Hobby	Vallejo	Model Master	Tamiya	Humbrol
Yellow Brown 黄褐色	H 19	967	1548	X11	11
Wood Brown 木棕色	H 37 43	963	1701	—	190
Tine Black 棕色	H 77 137	—	—	—	—
Metal Black 黑铁色	H 18 28	861	1402	—	—
Red Brown 红棕色	H 47 41	954	—	XF64	100



H AQUEOUS HOBBY COLOR ■ Mr. COLOR

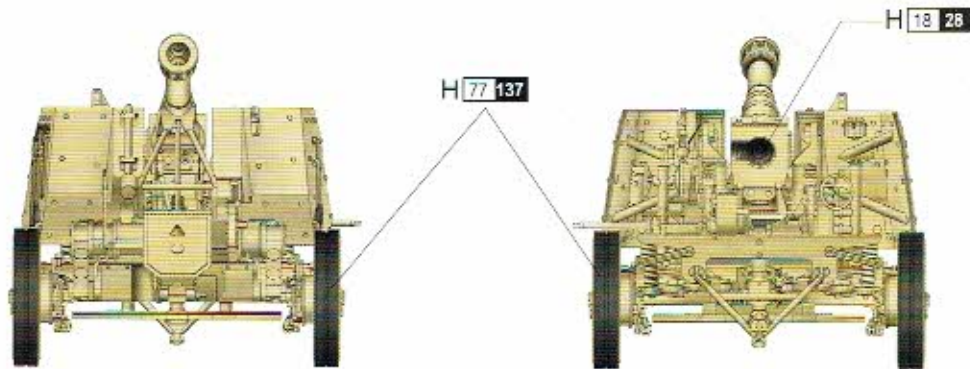
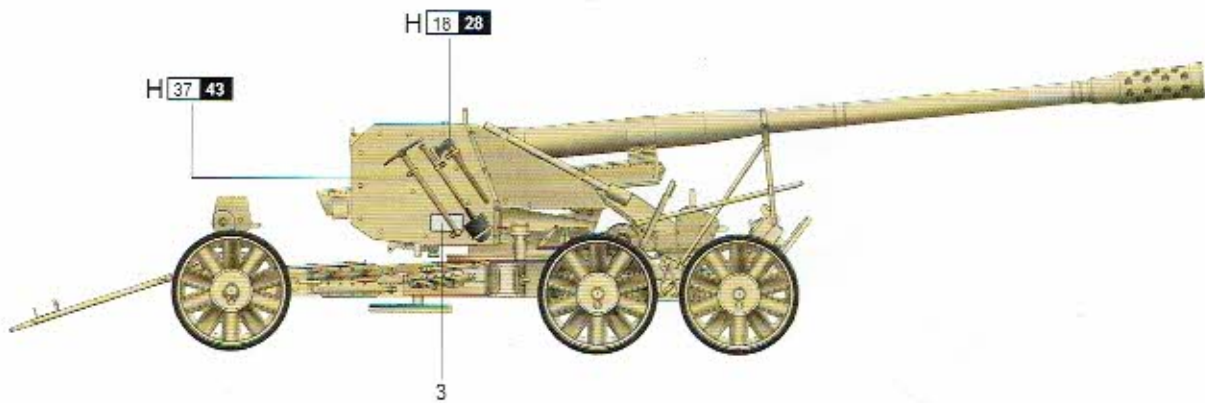
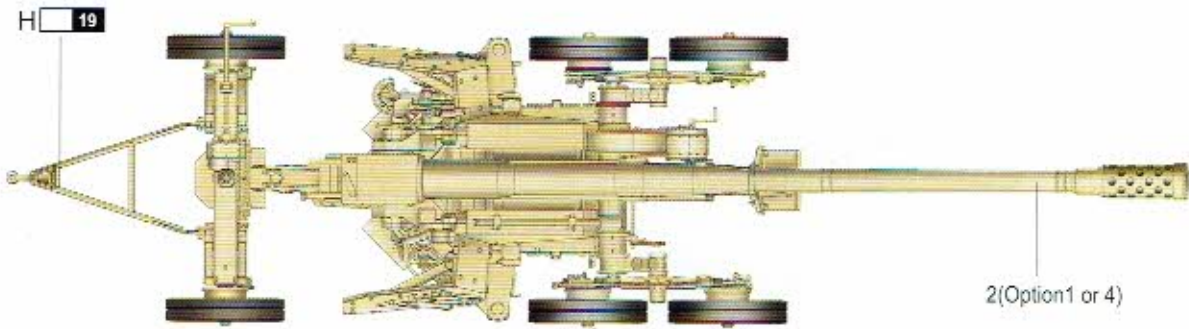
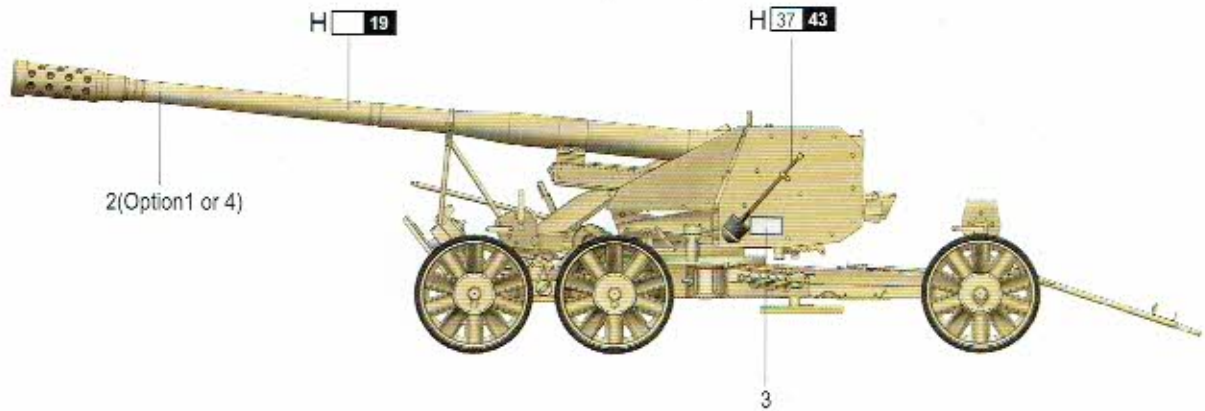
# 涂装同标贴指示

## Painting & Marking guide

### PAINT REFERENCE COLOUR

Color	Mr.Hobby	Vallejo	Model Master	Tamiya	Humbrol
Sandy Brown 沙色	H 19	967	1543	X11	11
Wood Brown 木棕色	H 37 43	983	1701	-	186
Tire Black 胎黑色	H 77 137	-	-	-	-
Metal Black 金属色	H 18 28	864	1402	-	-

**A**



☒ AQUEOUS HOBBY COLOR    ■ Mr. COLOR