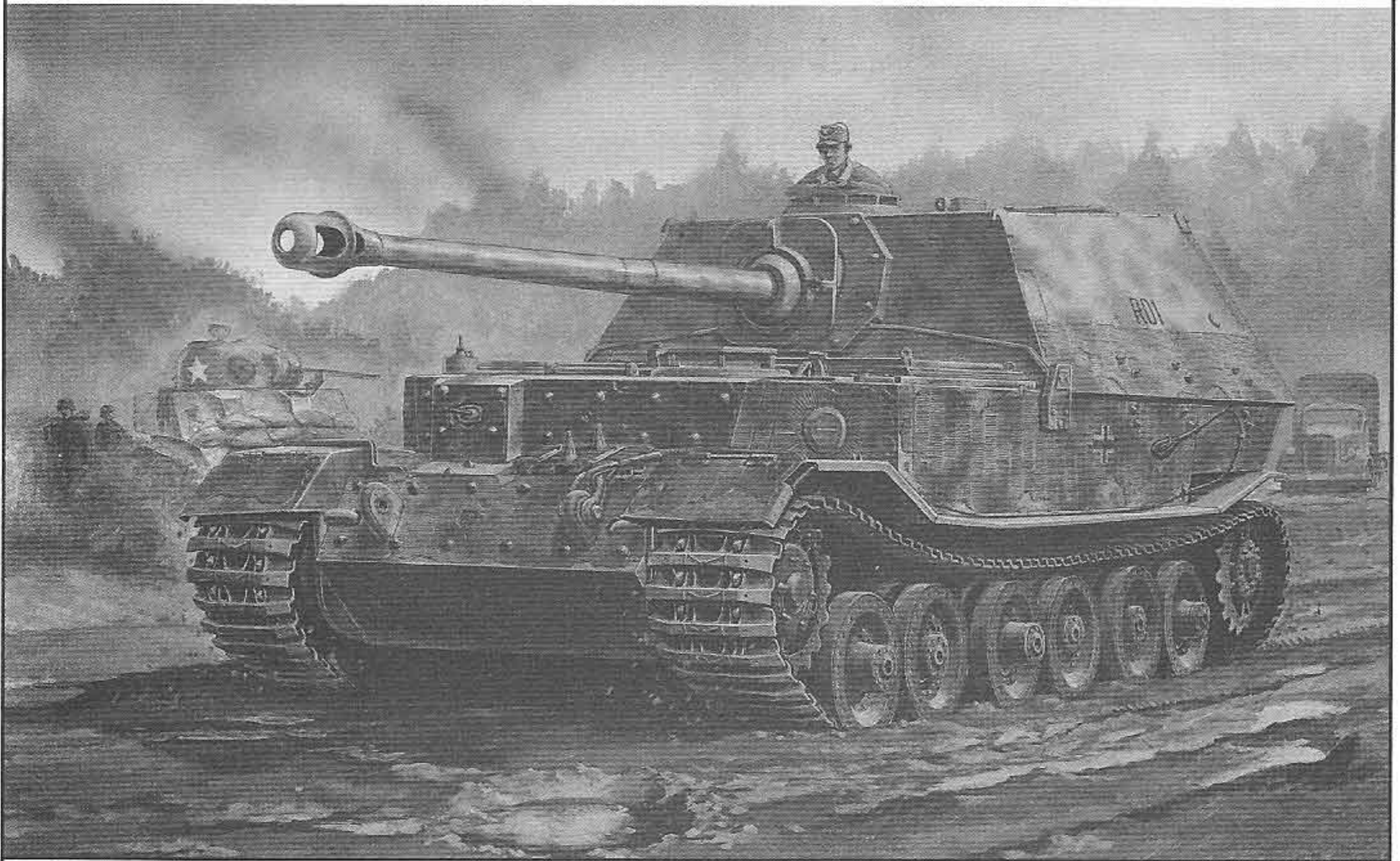


1:72 Scale

## Sd.Kfz.184 Elephant

德国象式坦克歼击车



## READ BEFORE ASSEMBLY

- Study and understand this instructions thoroughly before beginning assembly.
- Remove all injection pins carefull using a modeling file.
- Cut off the photo-etched parts carefully using a modeling knife. Be sure not to lose small parts.
- Apply instant cement to photo etched parts and shafts. Apply too much instant cement will cause movable parts to stick. Apply cement carefully.
- Extra care should be taken to avoid personal injury when handling the photo etched parts.
- Some parts should depend on decals. Select piror to assembly.
- Tools recommended: (Not included in this kit)  
Cement; Side cutters; Long nose pliers; Modeling knife; Modeling file; Tweezers; Pin vise; Scissors; Instant cement.
- Soft cloth and sand paper will also assist in construction.
- Glue and paints are not in cluded in the kit. Use plastic cement or paints only.
- Keep out of reach of small children. Children must not be allowed to suck any part, or pull vinyl bay over the head.

## 装配之前仔细阅读

- 小心用模型锉刀锉平所有零件表面的注射浇口。
- 小心用刀片切下蚀刻片零件，不要遗失小零件。
- 用强力快干胶水粘合蚀刻片零件和金属轴。过量的快干胶水使用可能导致可动零件会粘住，小心涂胶。
- 取蚀刻片时应特别注意安全，防止利边划伤手指。
- 某些零件表面需贴上水贴纸，请选择在装配的同时进行。
- 推荐模型工具(自备)：胶水，水口剪刀，长咀钳，刀片，锉刀，镊子钳，钻，剪刀，瞬间快干胶。
- 软布同砂纸同时也应该是必备工具。
- 请使用塑料胶水和油漆，模型内不含。
- 谨防小孩吸吮塑料零件，或者将塑料袋套在头上，制作时应将套材远离小孩接触。



cyanoacrylate glue  
使用强力胶



weight  
配重



make hole  
钻孔



cut / remove  
切除



bend  
弯曲



file / sand  
锉平



option  
选择



no cement  
不涂胶水



decal  
贴纸

## 水贴纸的使用:

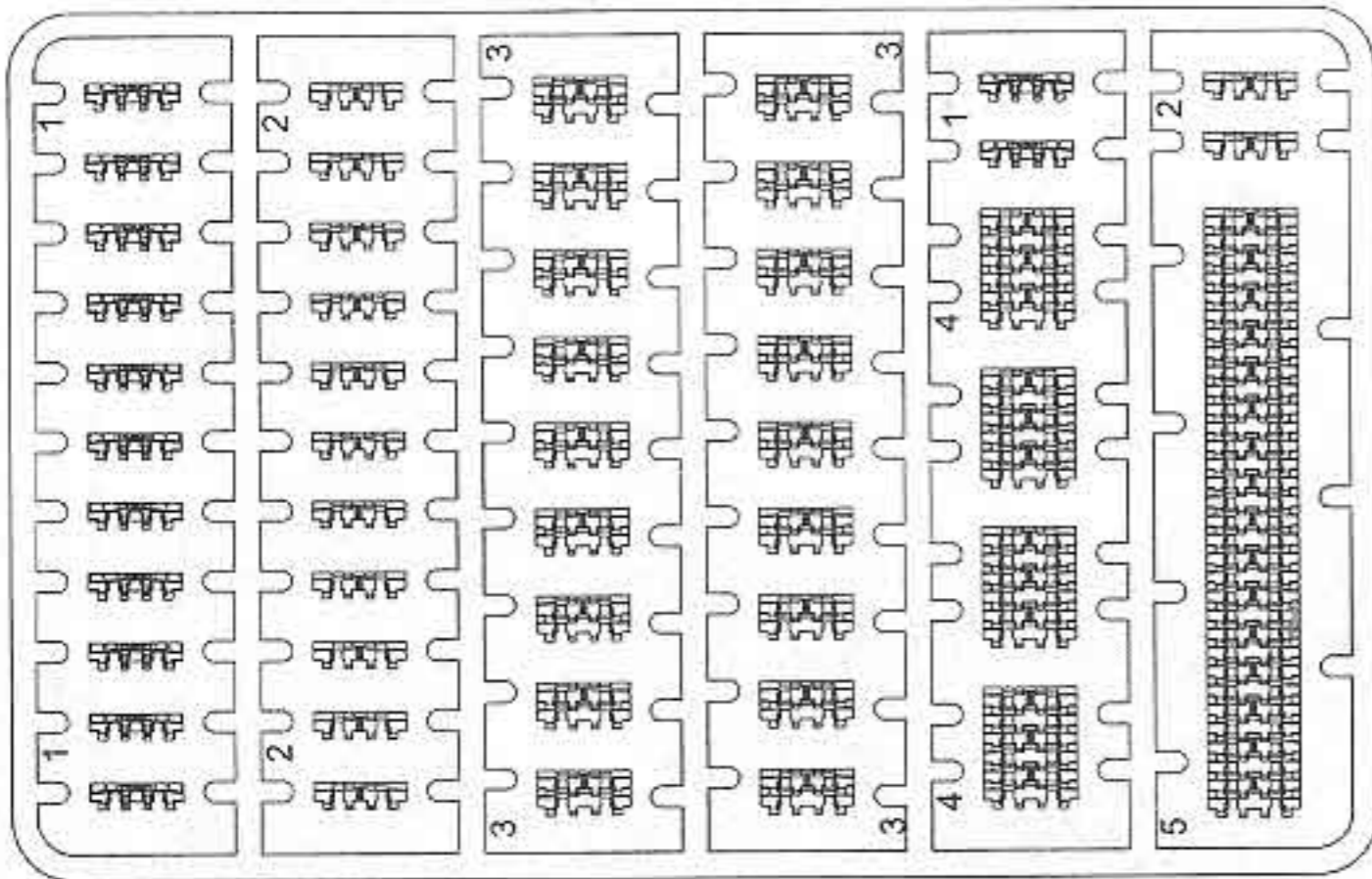
1. 从水贴上剪下印花;
2. 将印花放入温水中浸10秒，然后放在干净布上。
3. 拿着印花纸板将印花移到模型上;
4. 手指蘸水将印花移到适当的位置;
5. 用软布轻压印花直至水干，气泡消失。

## DECAL APPLICATION

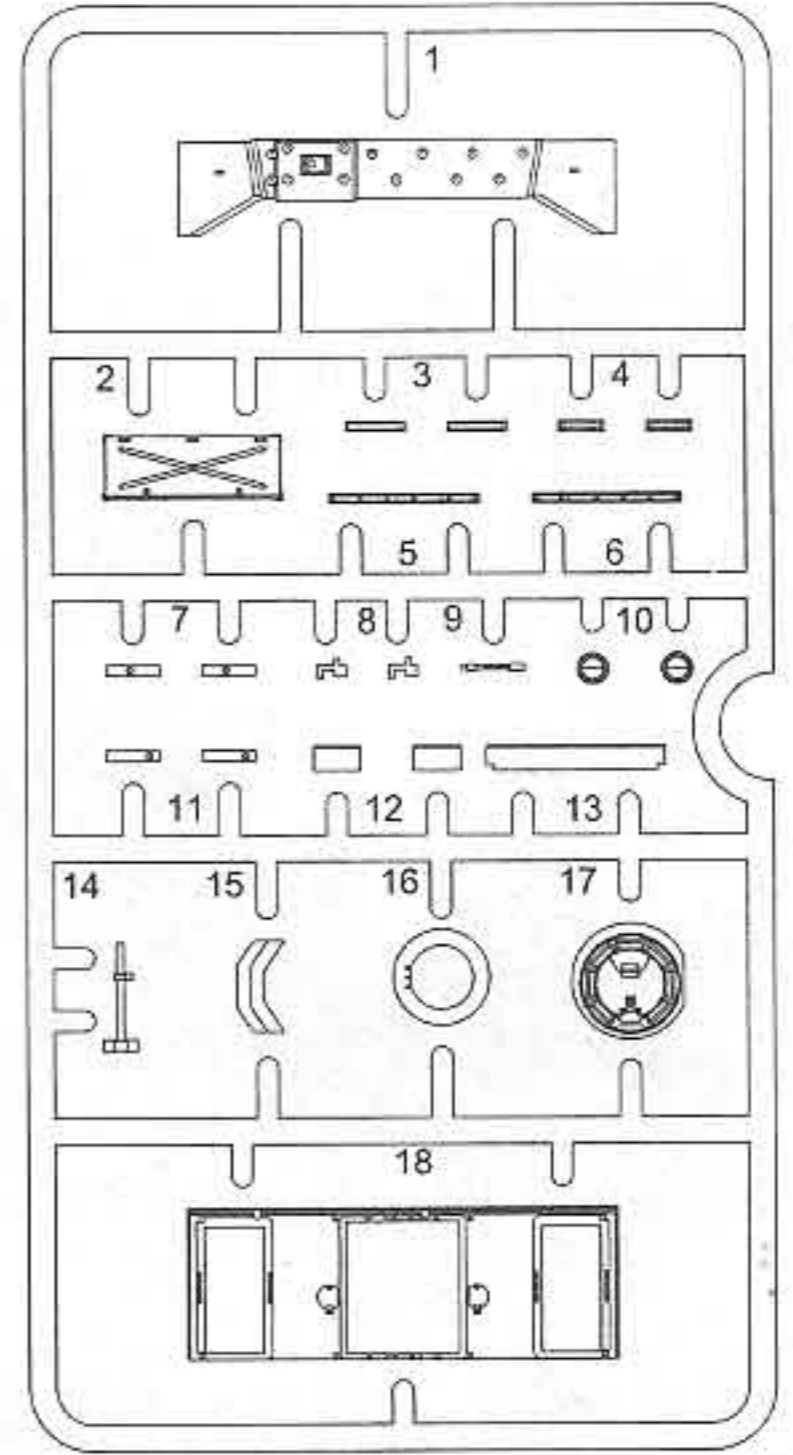
1. Cut off decal from sheet.
2. Dip the decal in tepid water 40° C for about 10 sec. and place on a clean cloth.
3. Hold the backing sheet edge and slide decal onto the model.
4. Move decal into position by wetting decal with finger.
5. Press decal gently down with a soft cloth until excess water and air bubbles are gone.

# 部品图 Parts

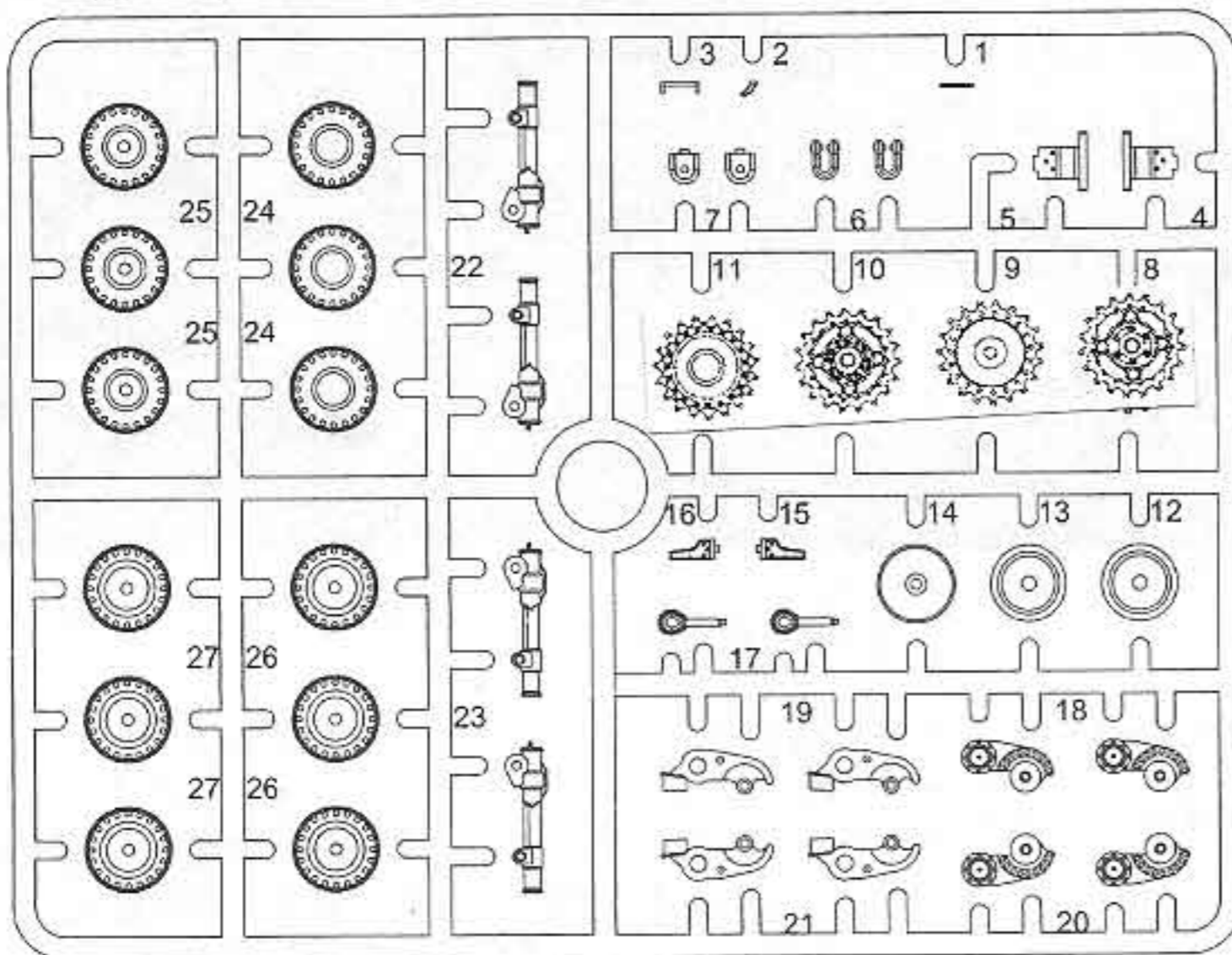
A × 2



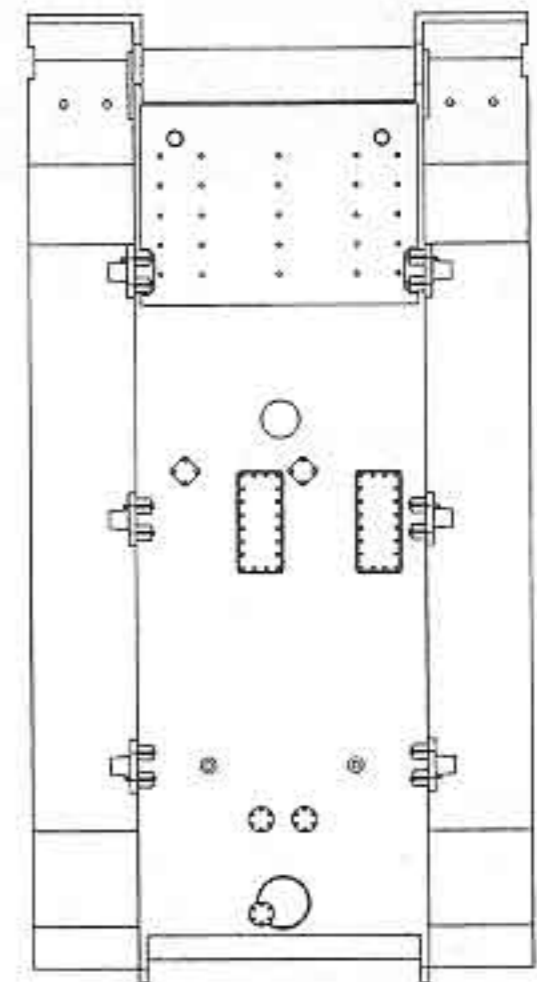
D1



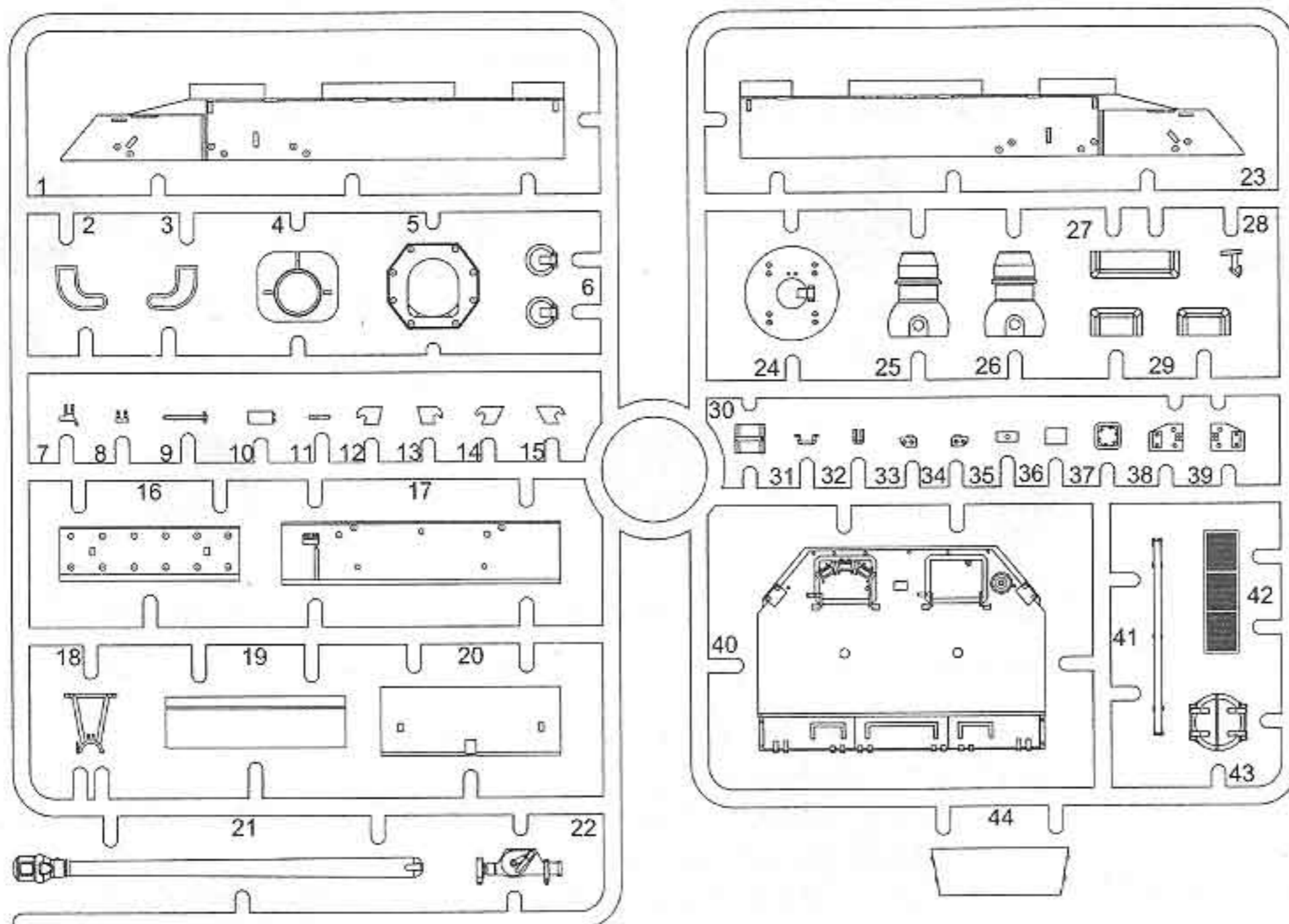
B × 2



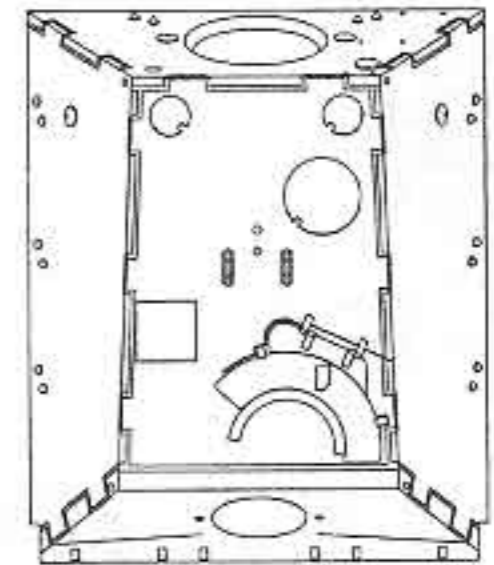
《车底》  
Lower hull



C



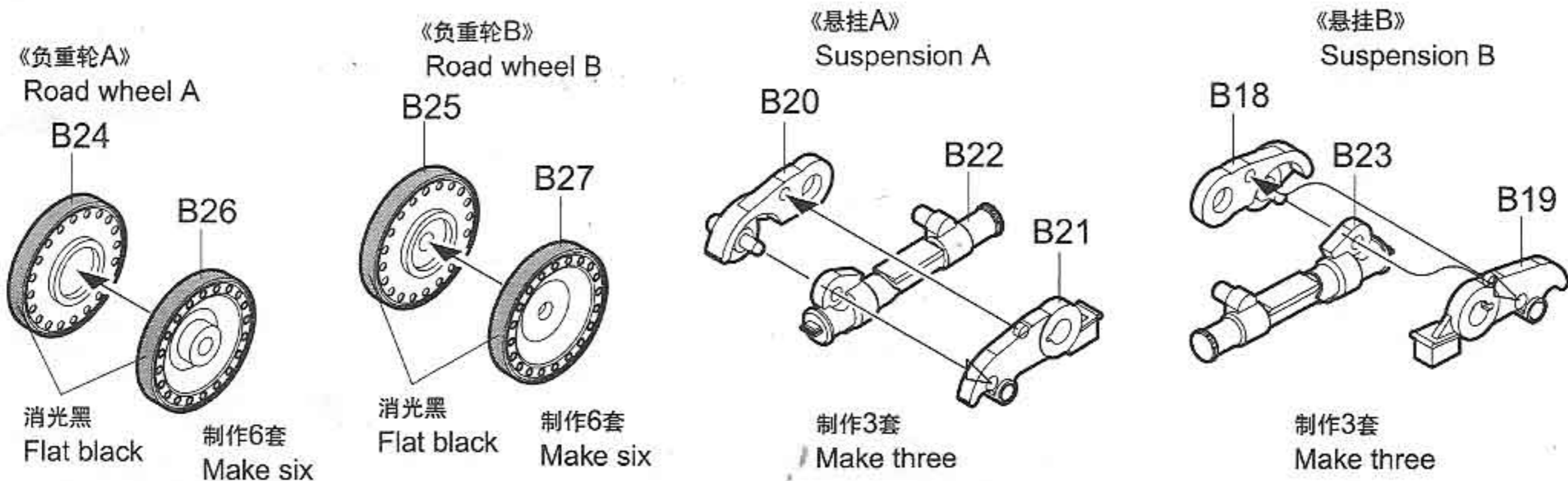
《炮塔》  
Turret



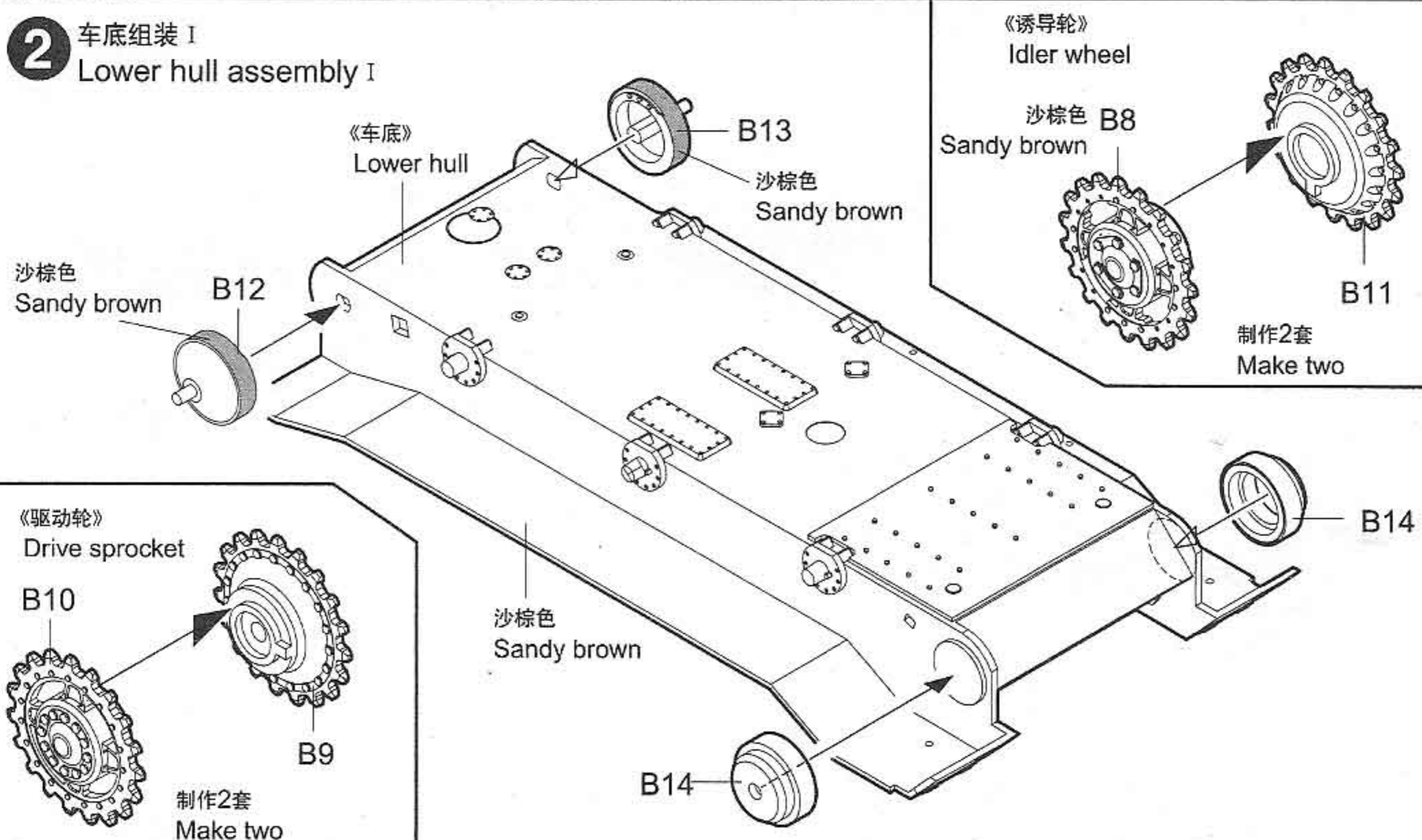
《蚀刻片》  
Etched patch



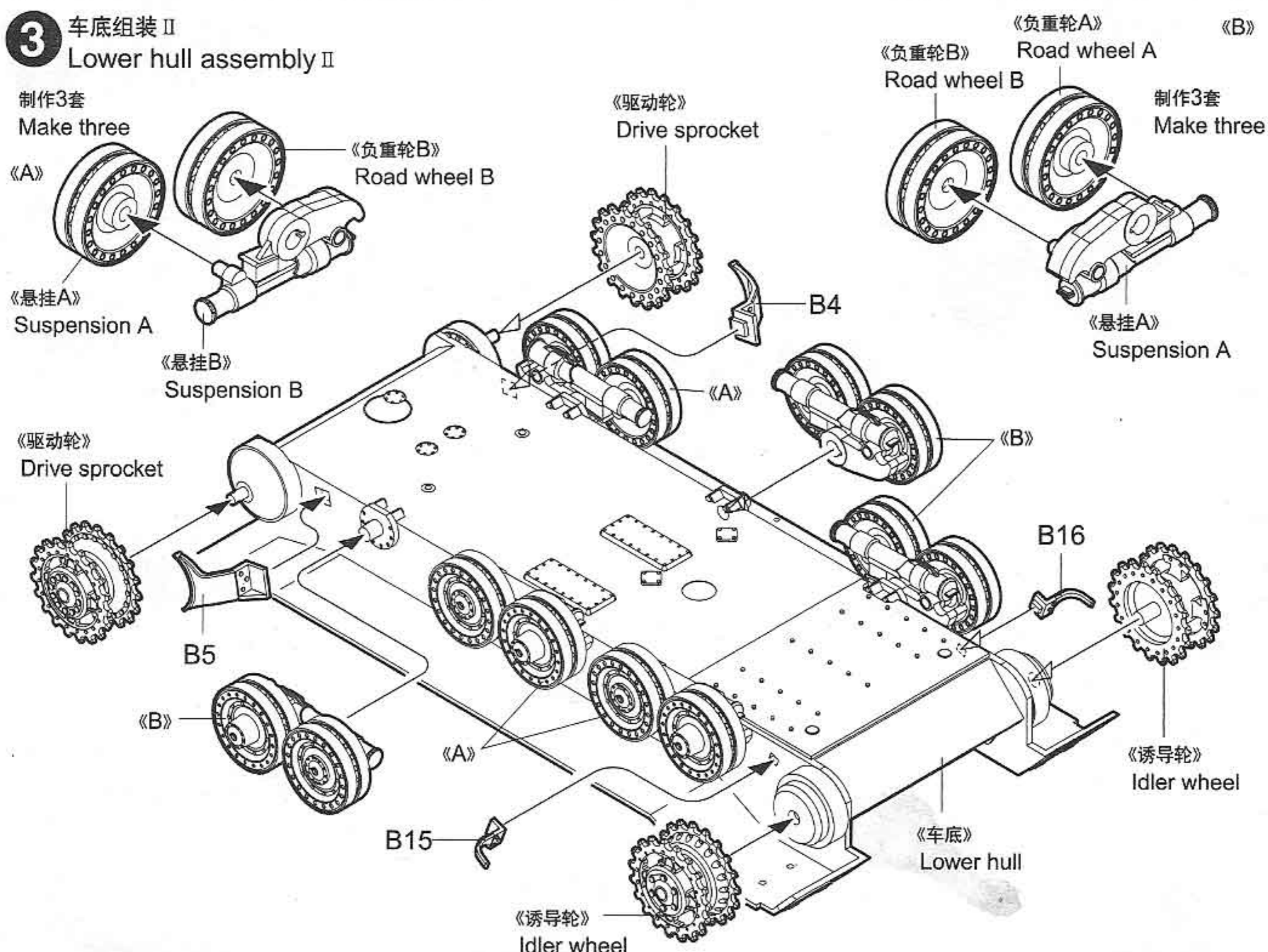
**1** 负重轮组装  
Road wheel assembly



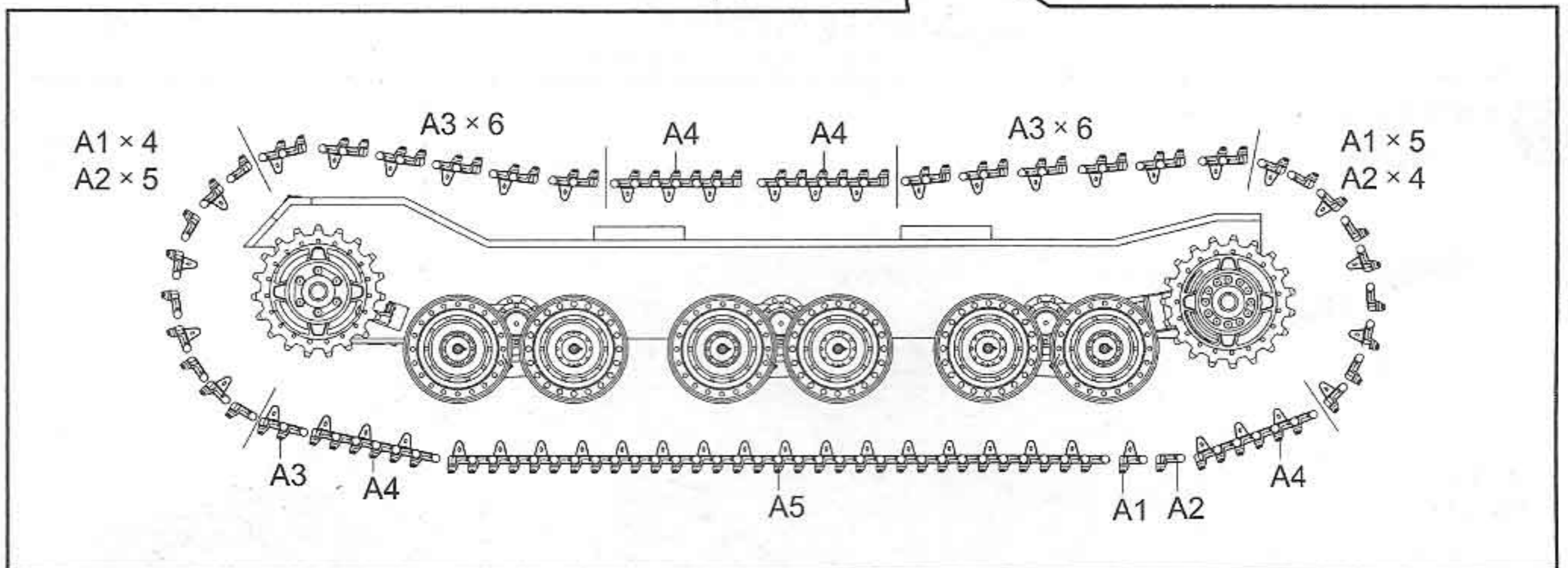
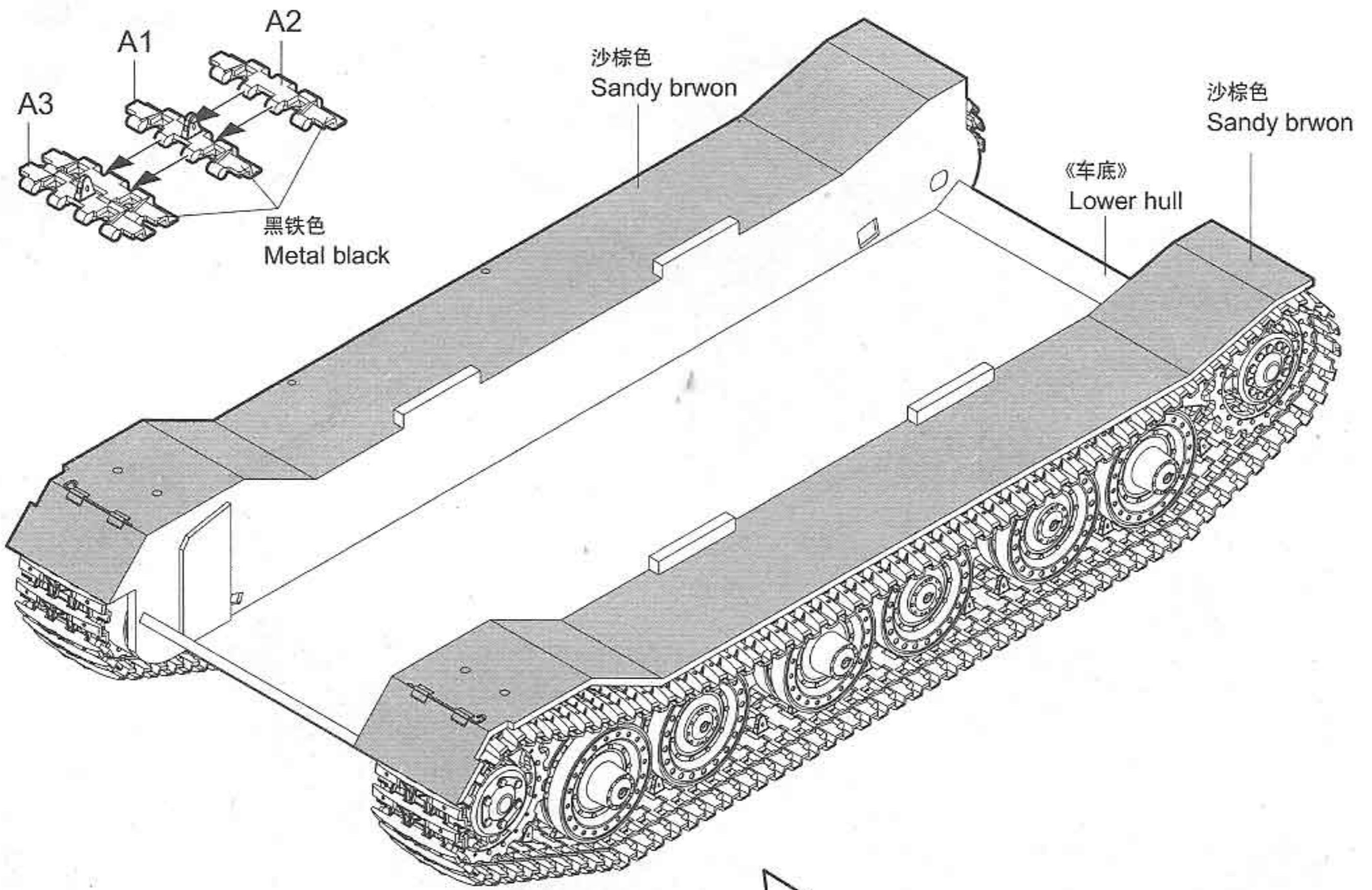
**2** 车底组装 I  
Lower hull assembly I



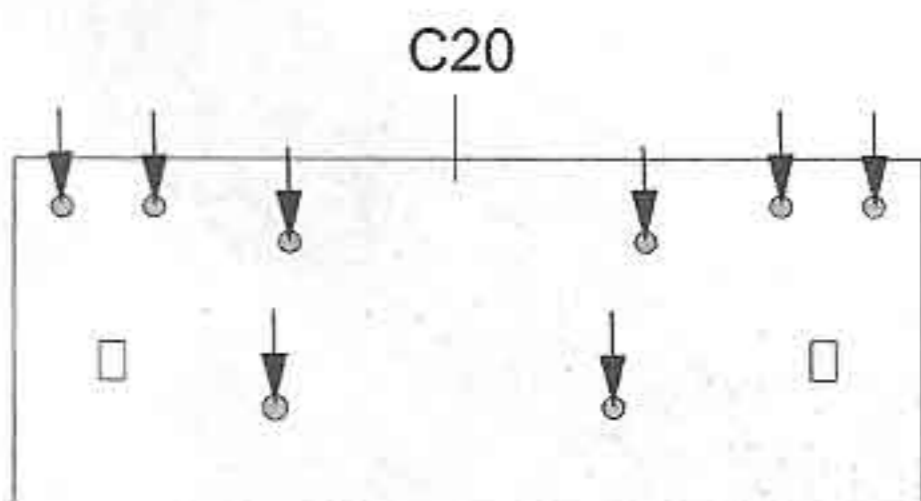
**3** 车底组装 II  
Lower hull assembly II



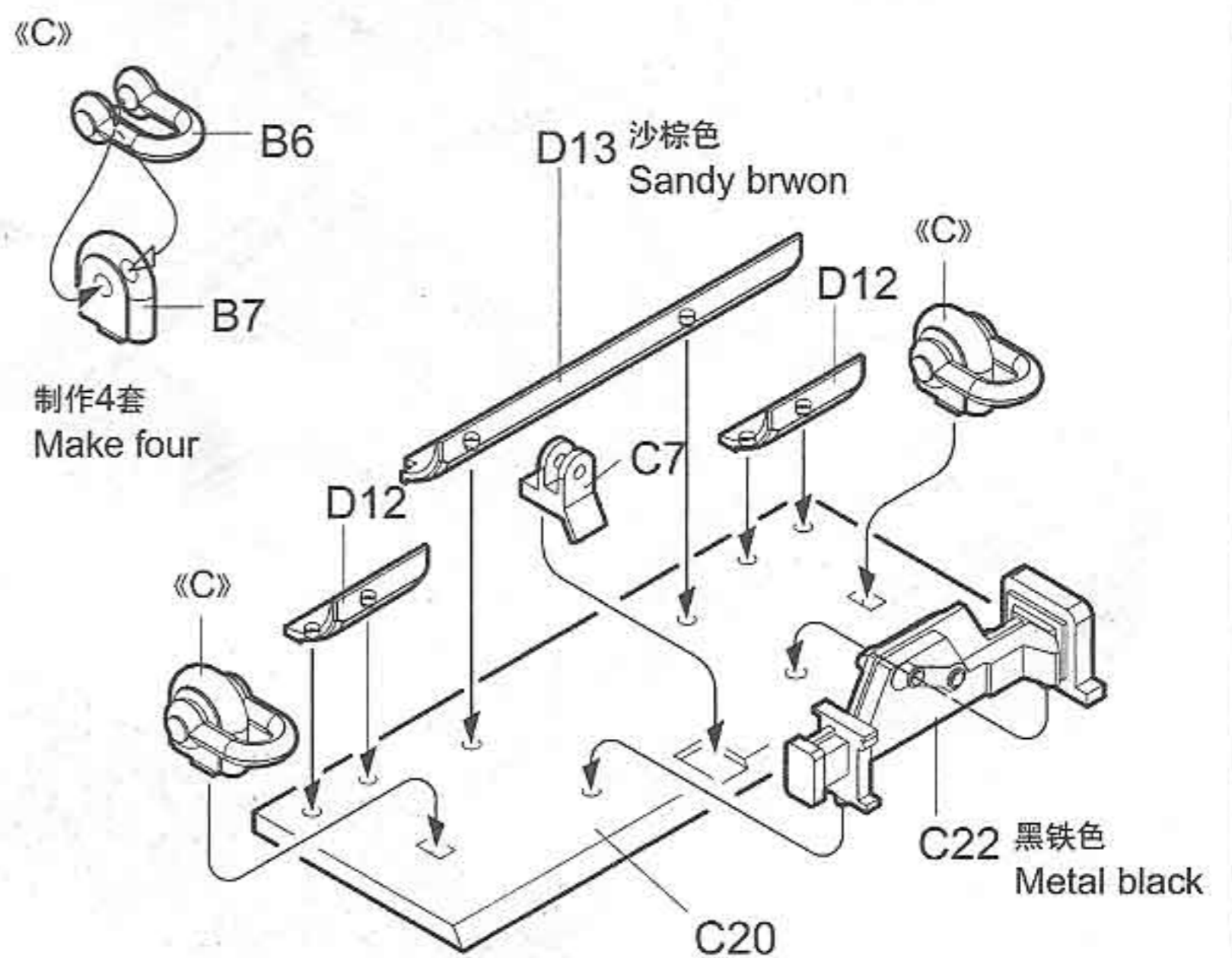
**4** 履带安装  
Track installation



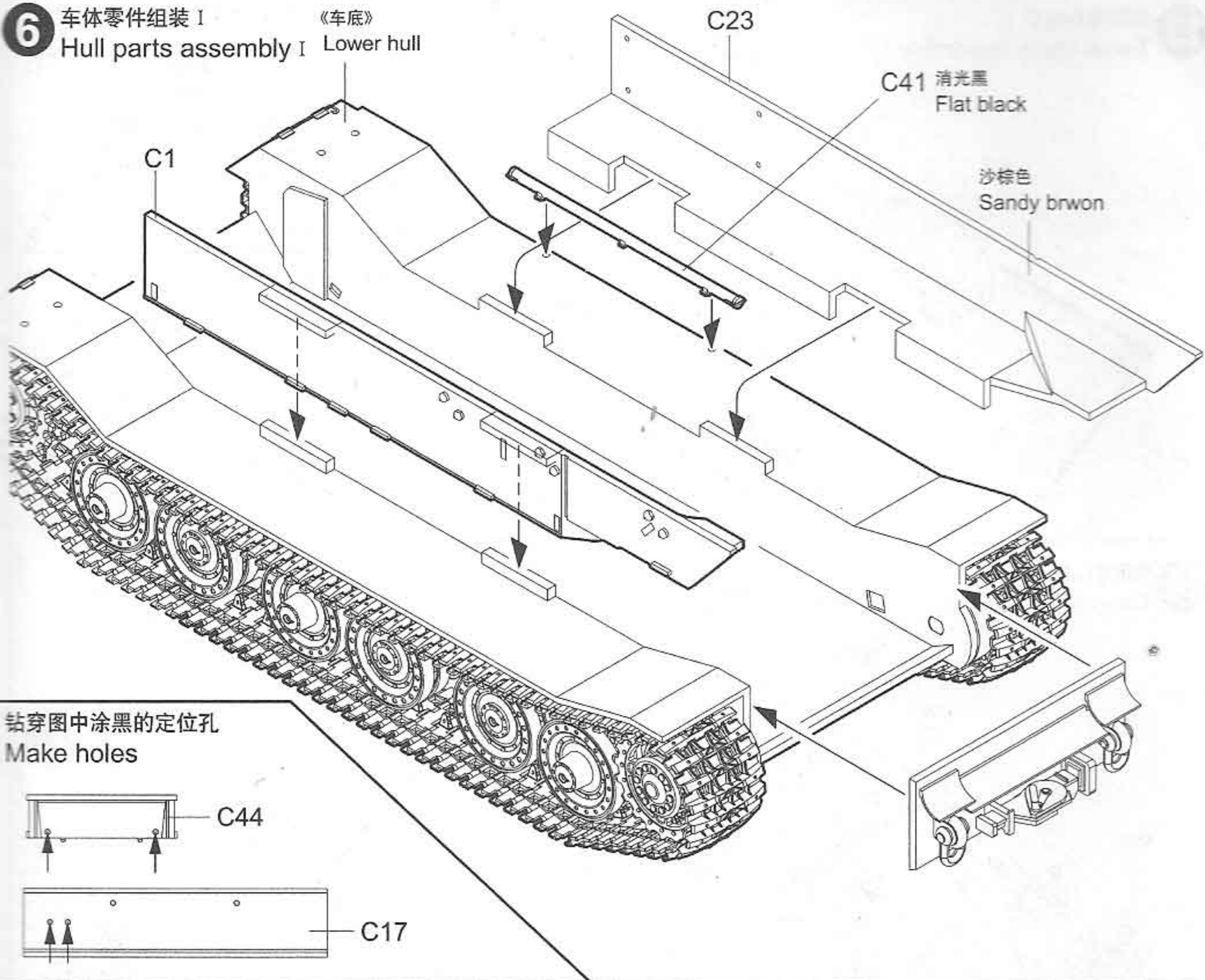
钻穿图中涂黑的定位孔  
Make holes



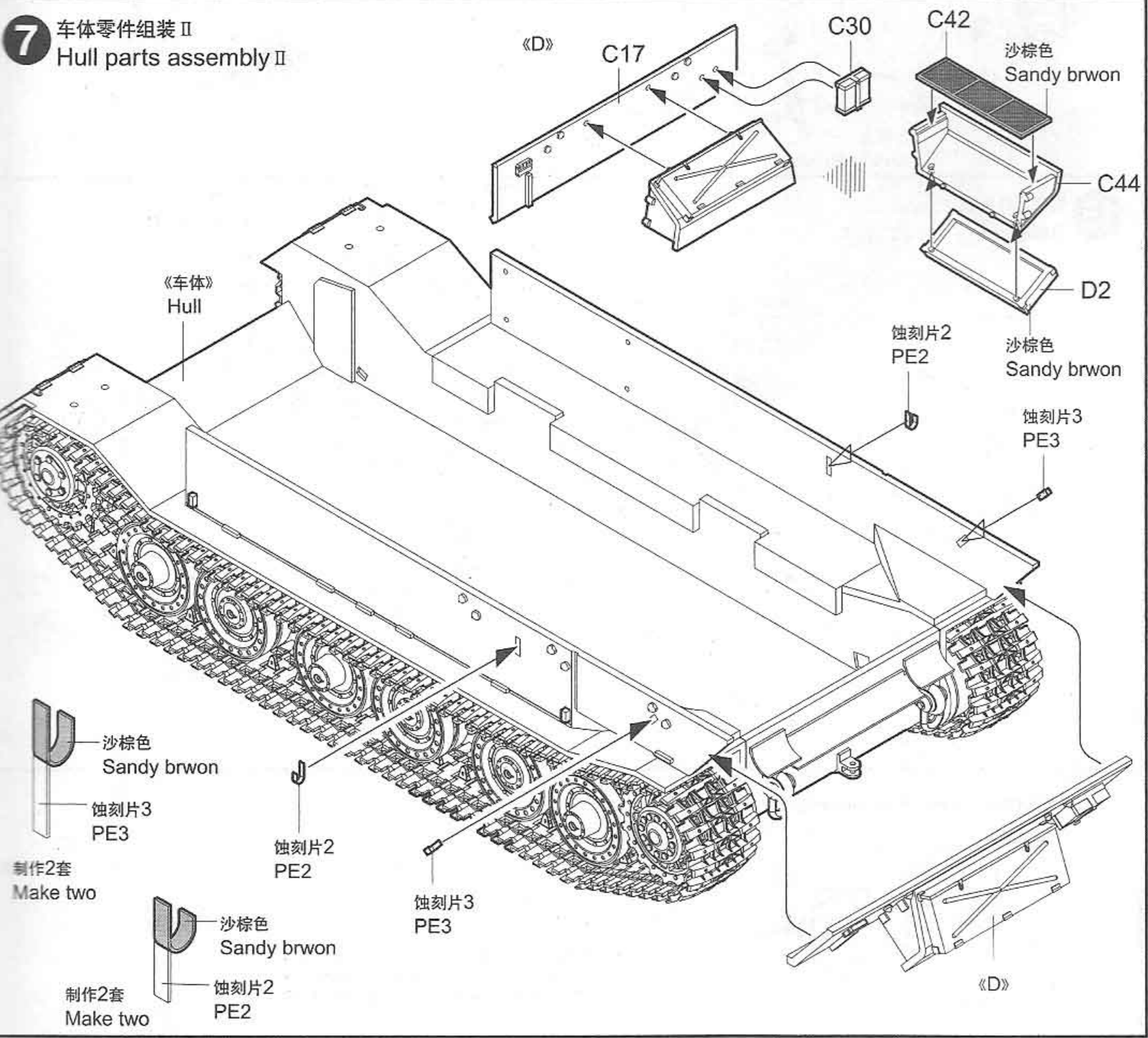
**5** 车体组件组装  
Hull discreteness assembly



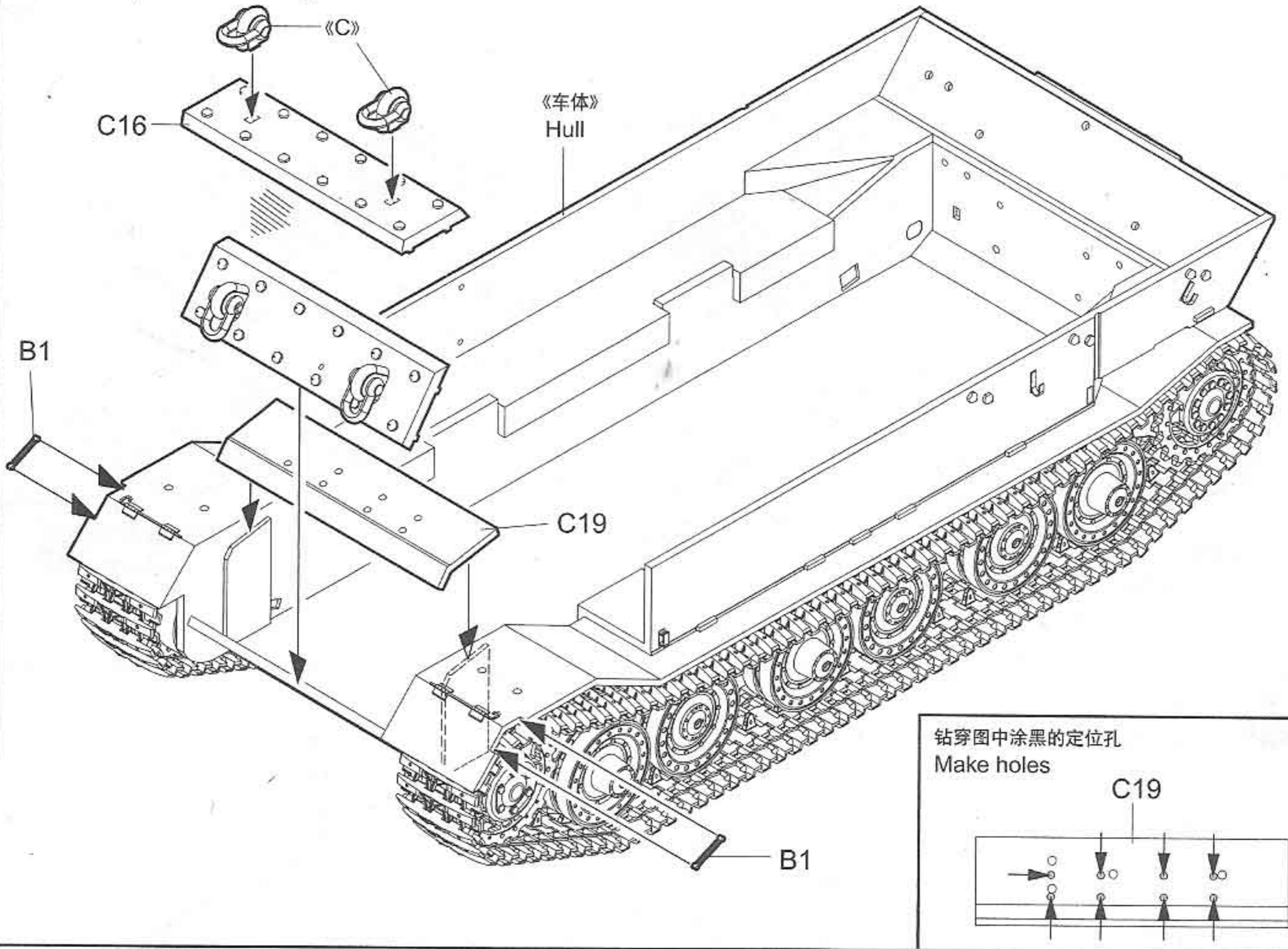
**6** 车体零件组装 I  
Hull parts assembly I



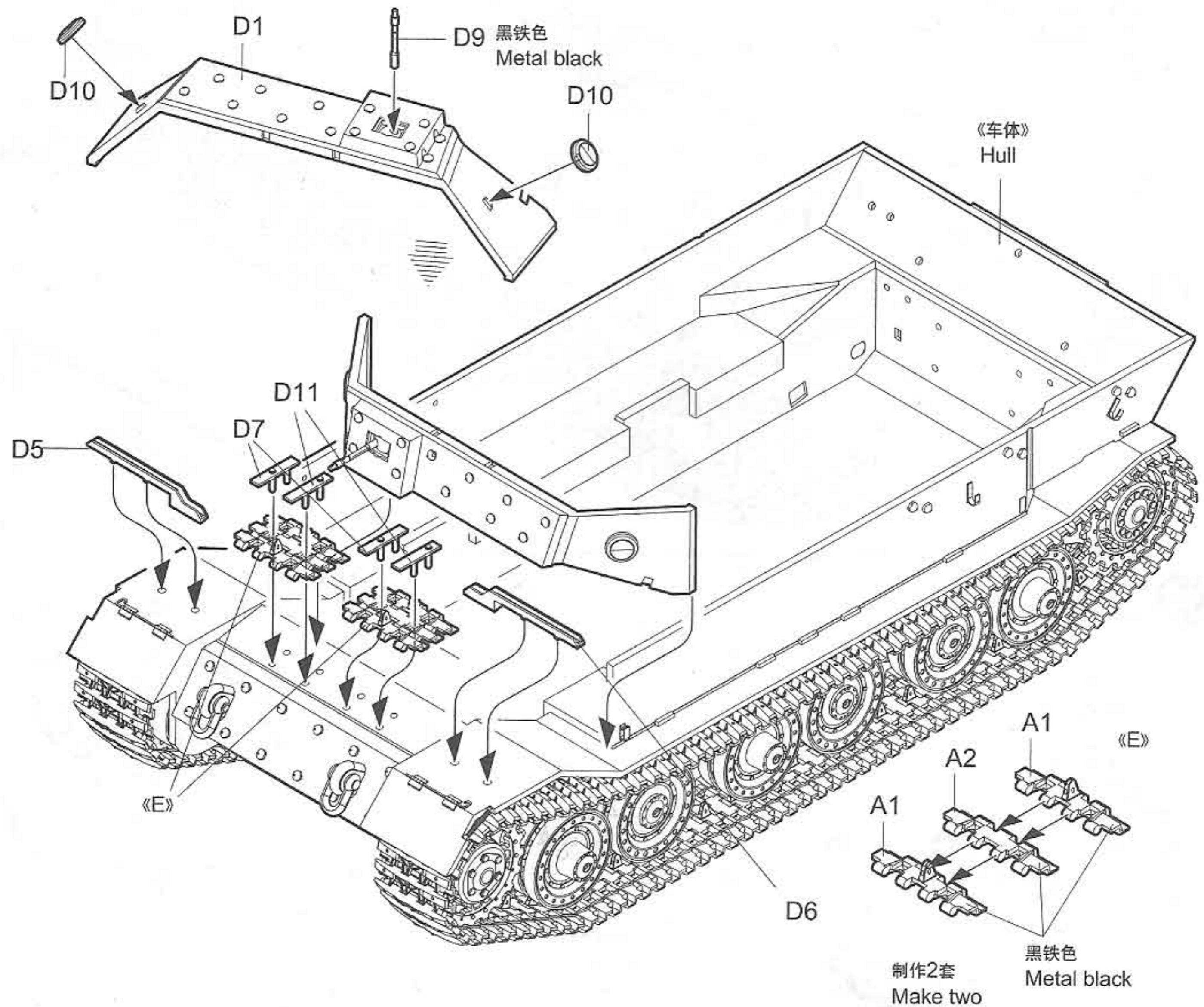
**7** 车体零件组装 II  
Hull parts assembly II



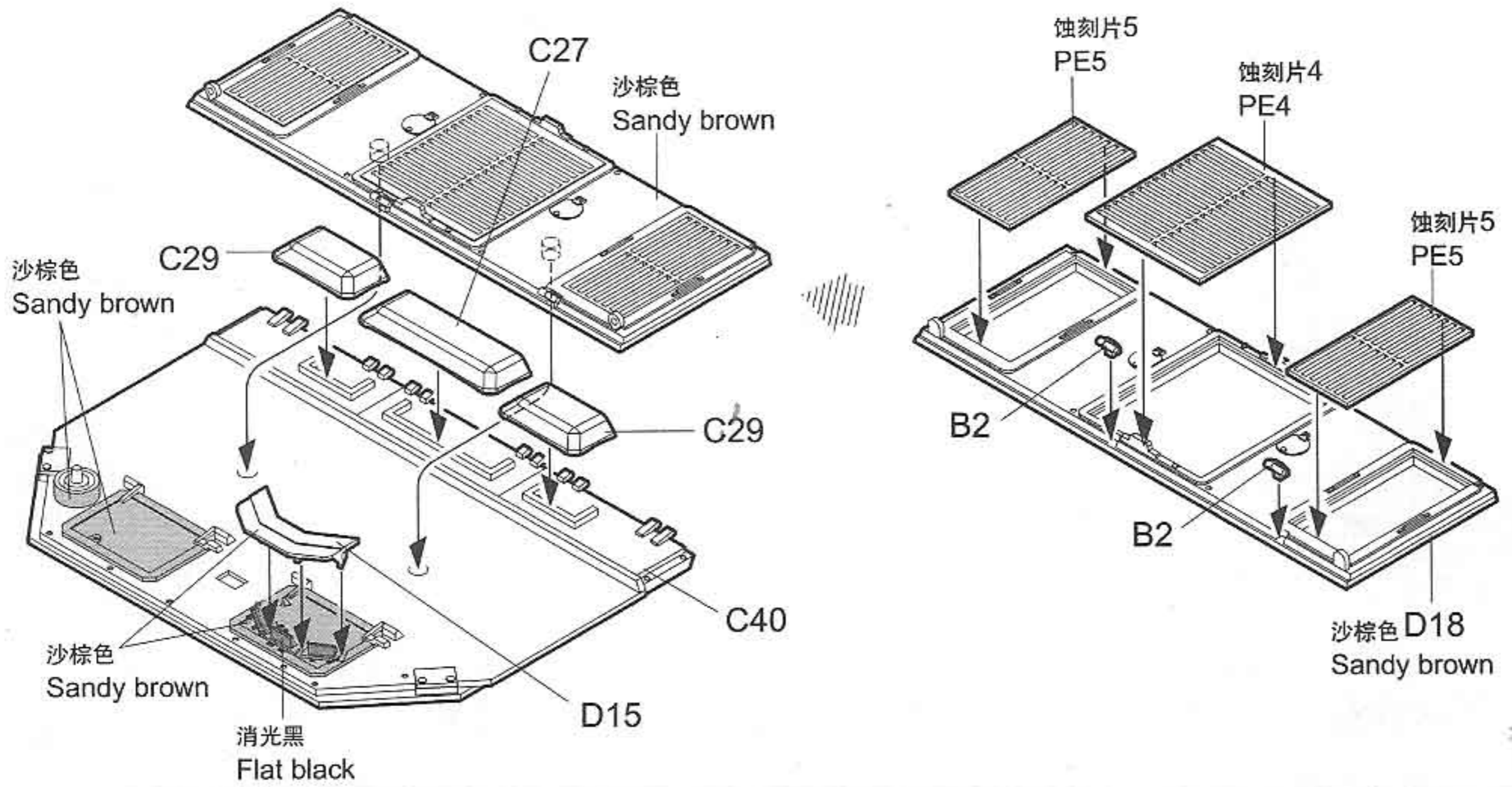
**8** 车体零件组装Ⅲ  
Hull parts assemblyⅢ



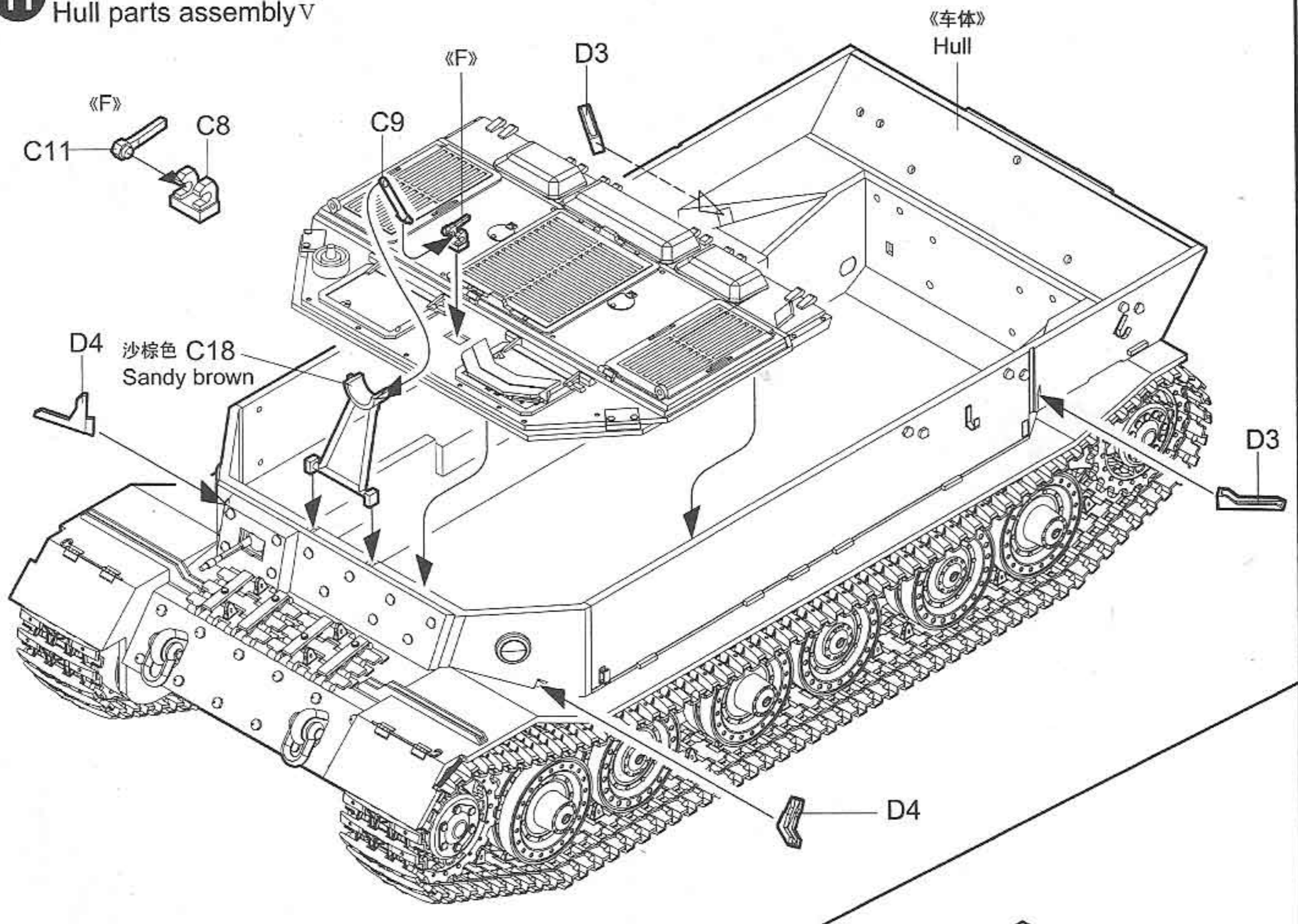
**9** 车体零件组装Ⅳ  
Hull parts assemblyⅣ



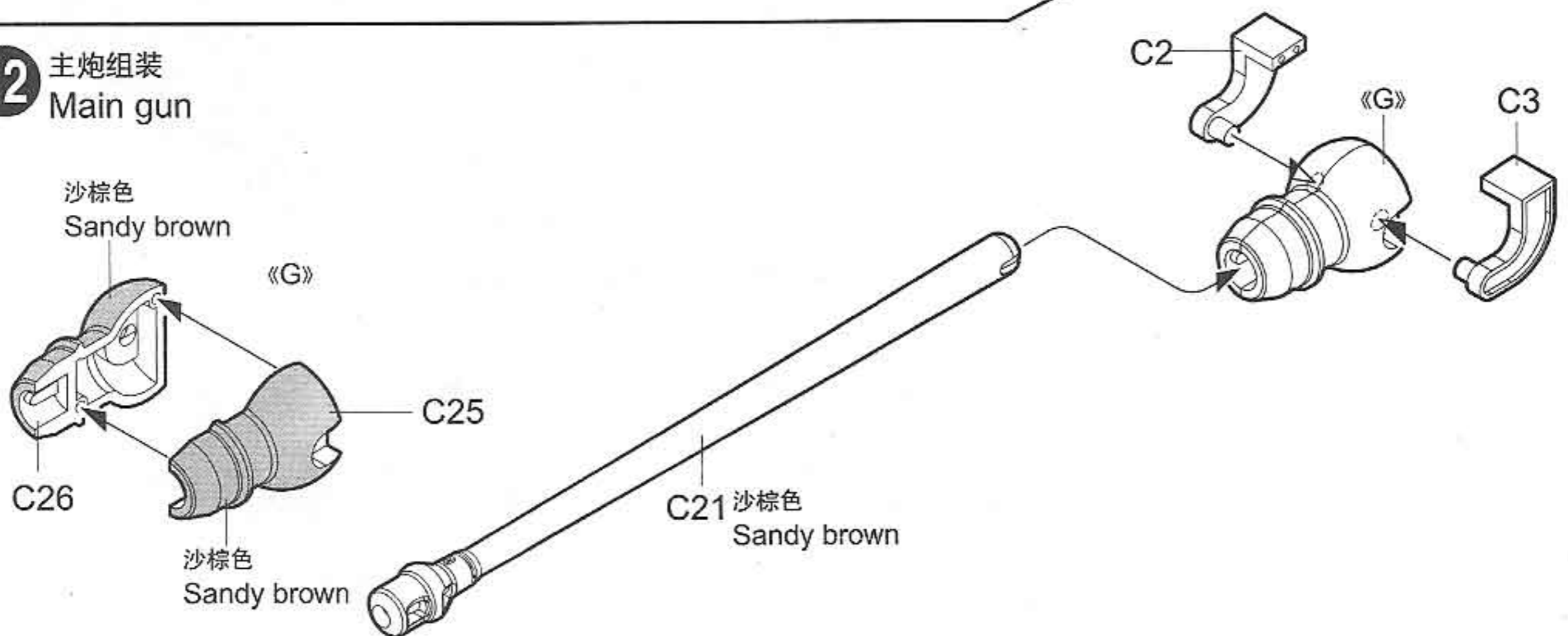
**10** 车体组件组装  
Hull discreteness assembly



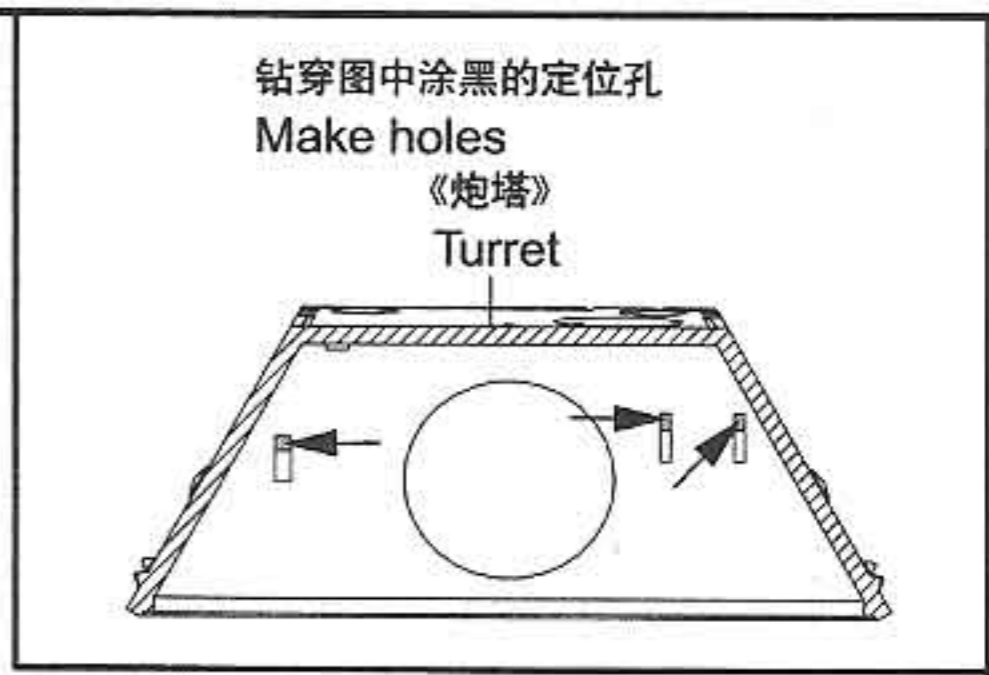
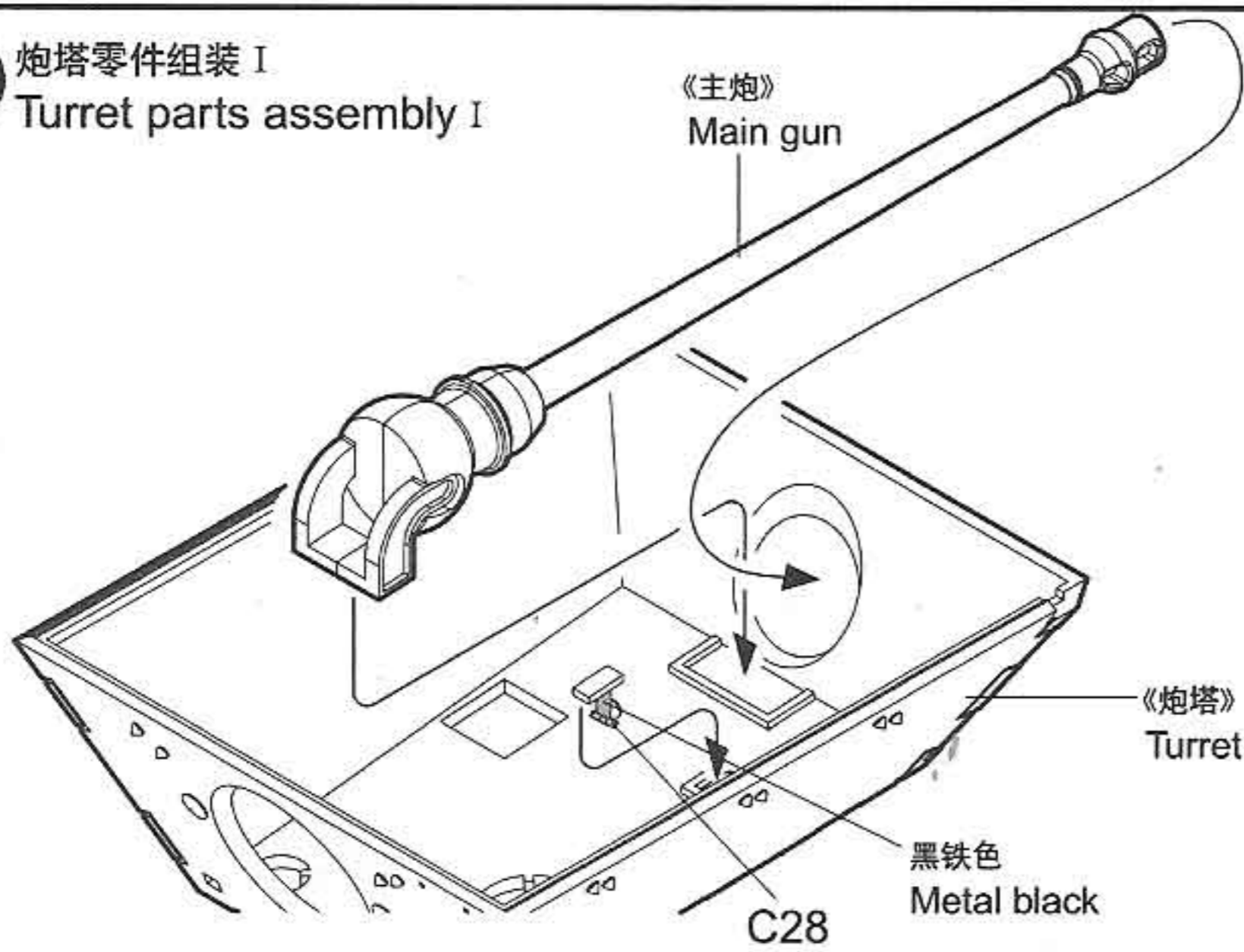
**11** 车体零件组装 V  
Hull parts assembly V



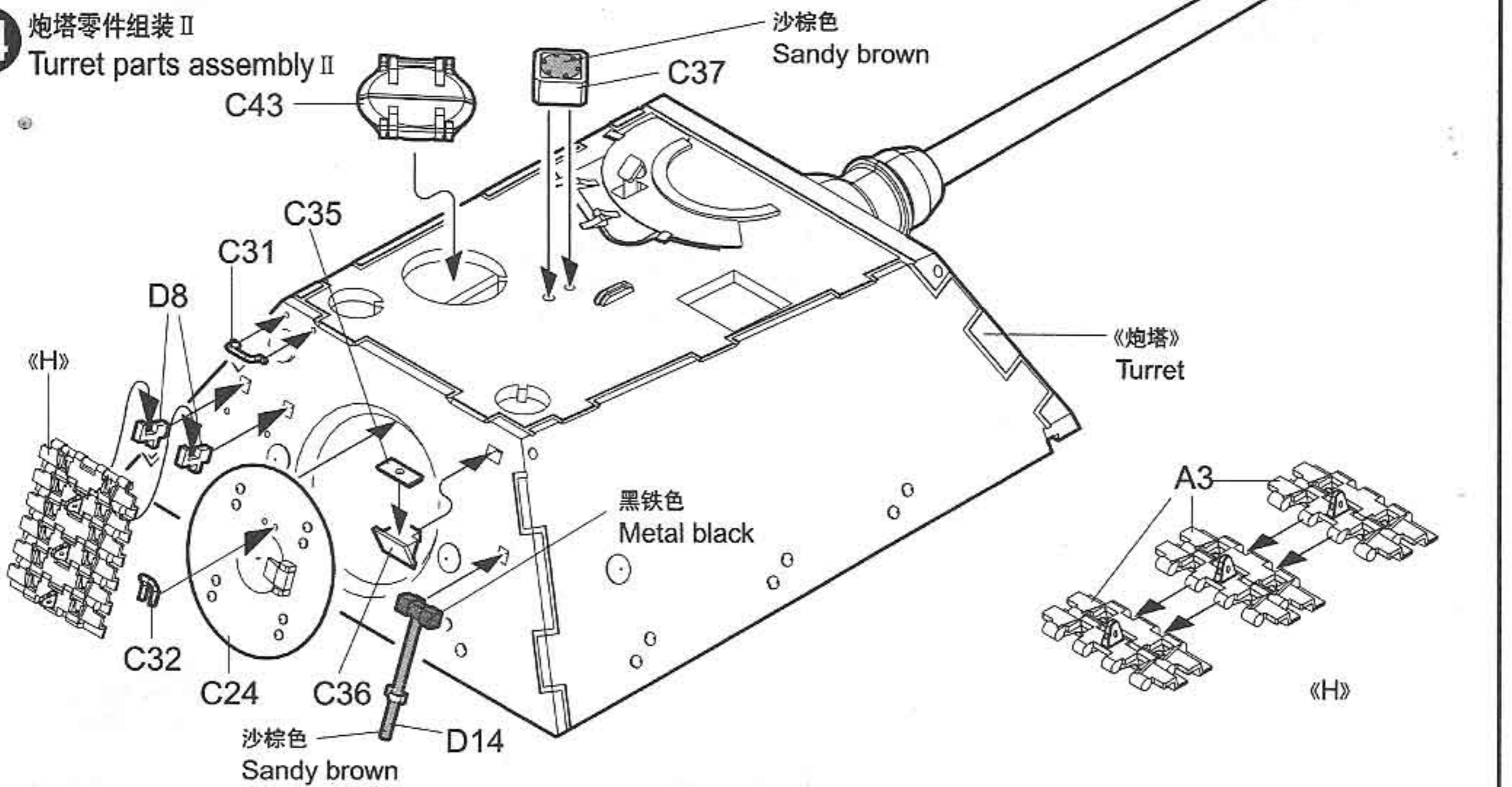
**12** 主炮组装  
Main gun



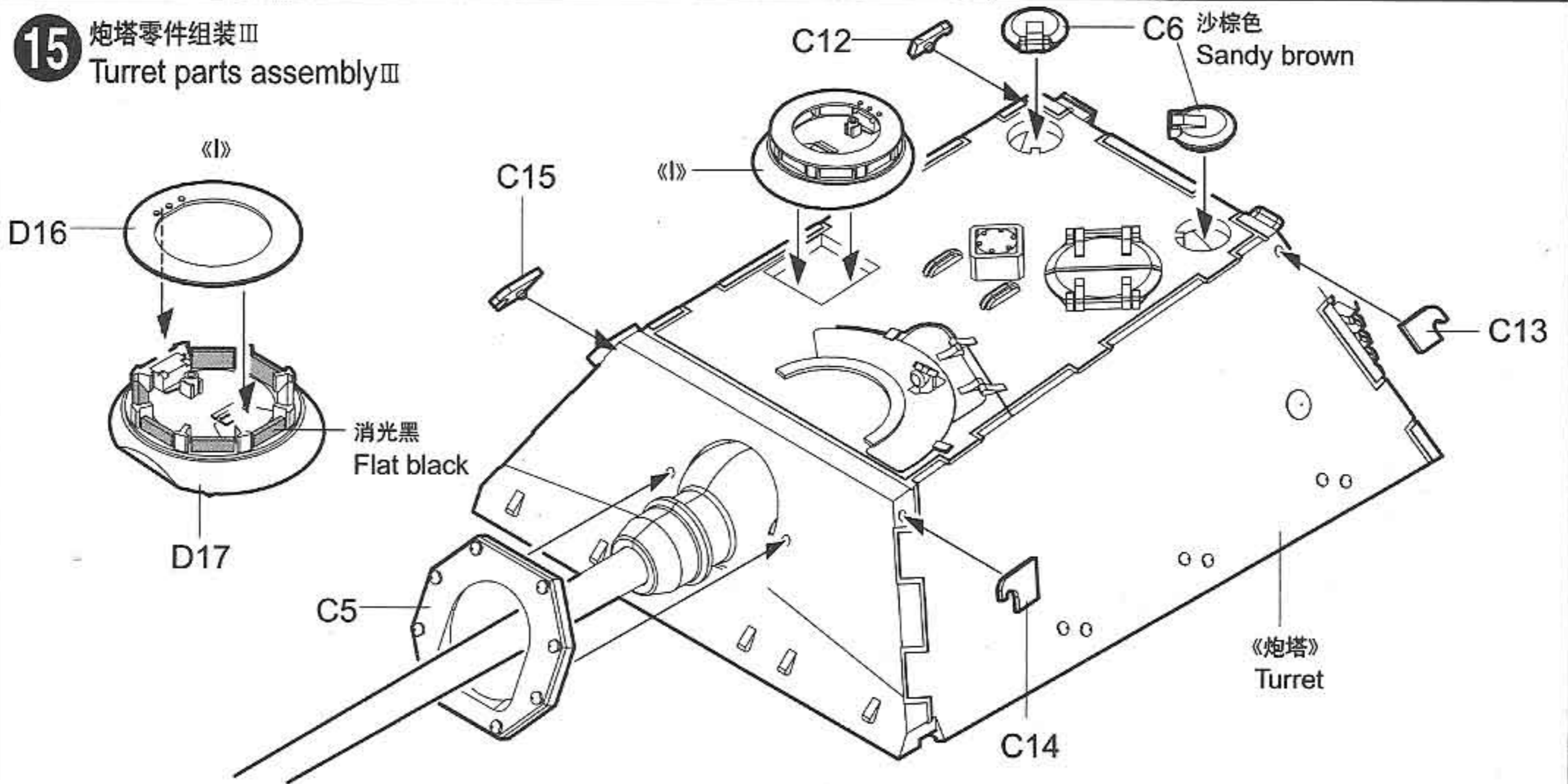
**13** 炮塔零件组装 I  
Turret parts assembly I



**14** 炮塔零件组装 II  
Turret parts assembly II



**15** 炮塔零件组装 III  
Turret parts assembly III

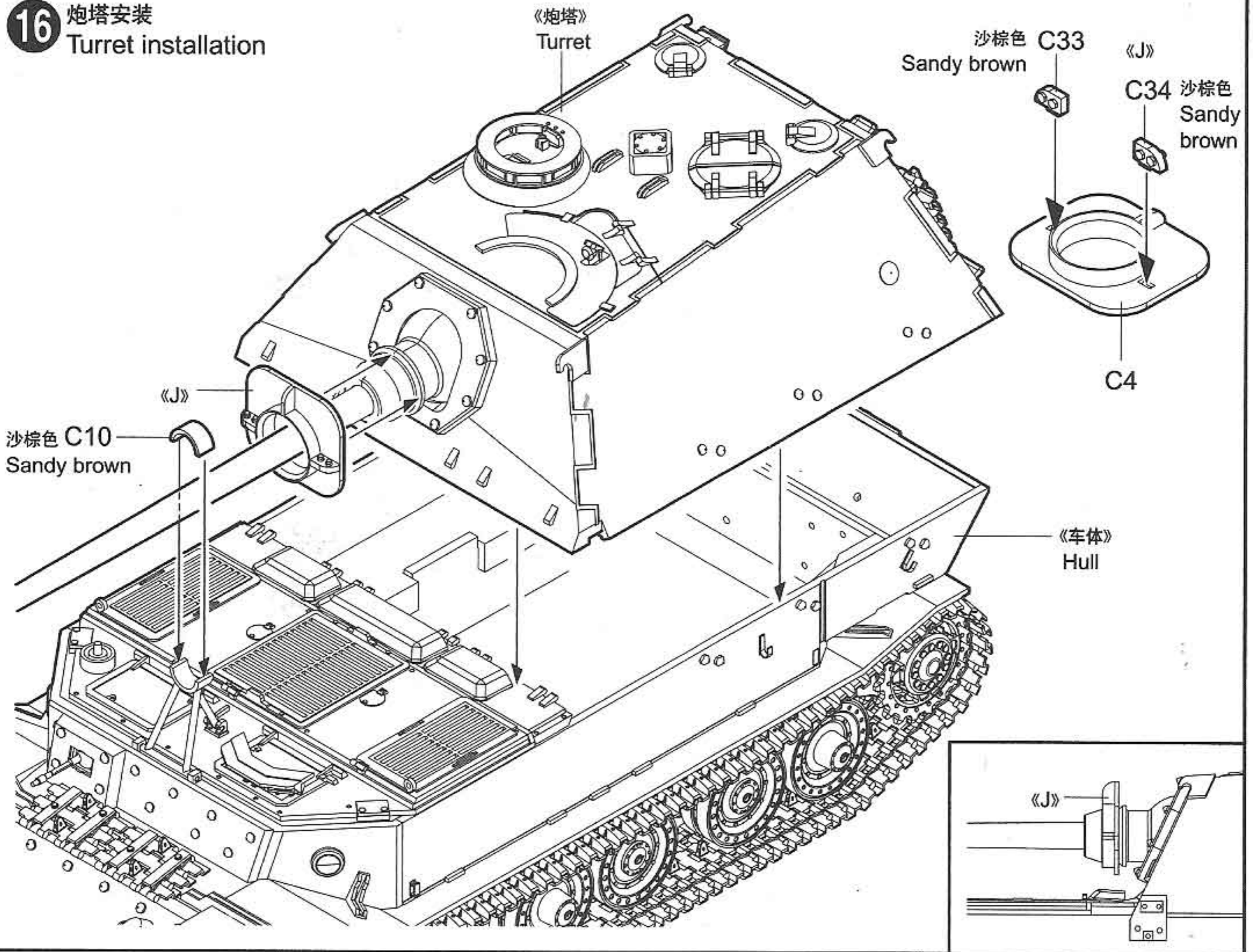


《天线制作》 How to make antenna

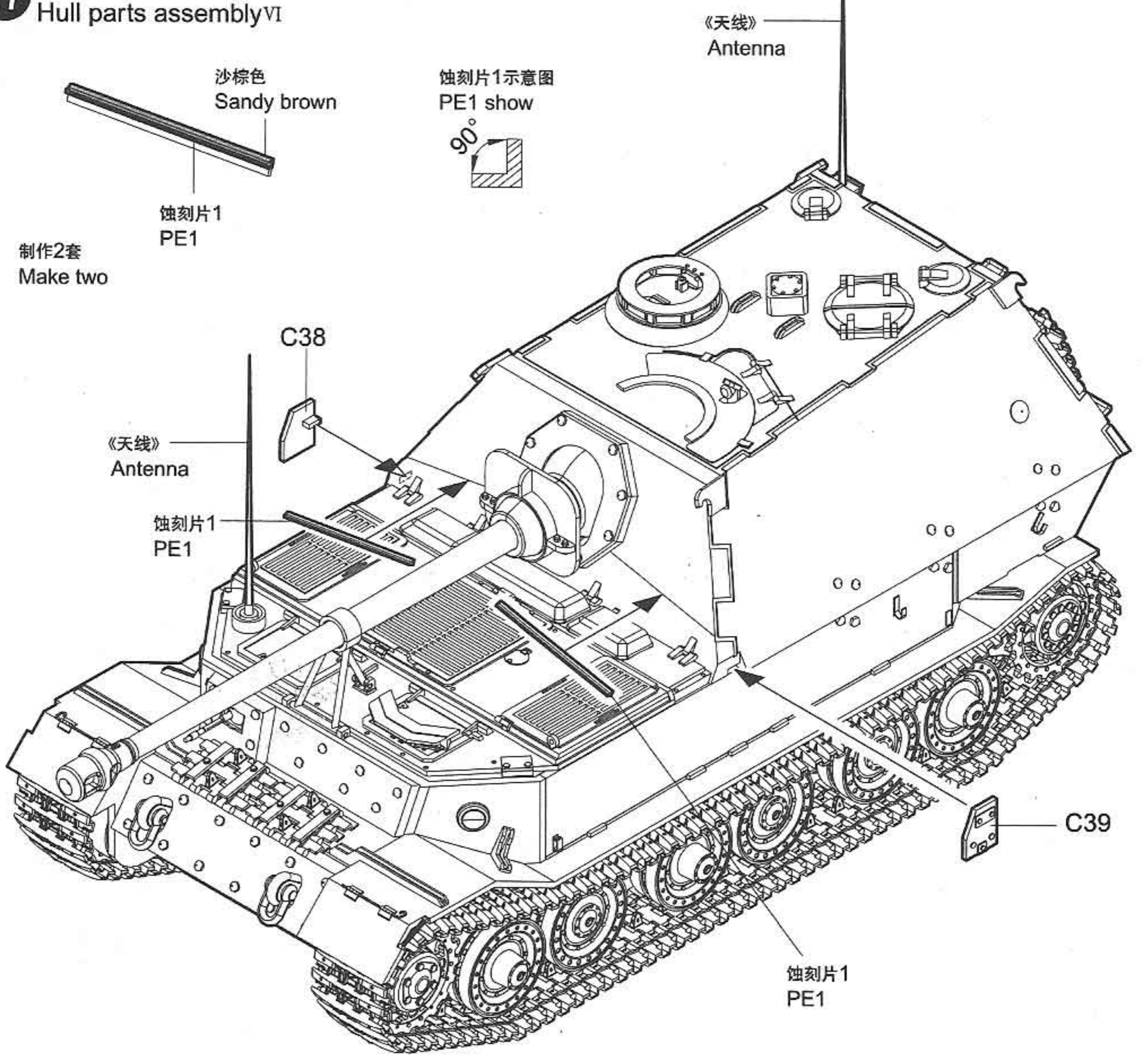


★加热浇口, 拉线冷却, 冷却后切成所需长度。  
Heat sprue as shown, remove from flame and stretch allow to cool and cut to required length.

**16** 炮塔安装  
Turret installation



**17** 车体零件组装VI  
Hull parts assembly VI



涂装同标贴指示  
Painting & Marking guide

郡仕色使用

Gunze Mr. color used

