

Fairey Swordfish Mk. II

1:32 SCALE

英国“剑鱼”MK. II 型轰炸机

READ BEFORE ASSEMBLY:

- Study and understand these instructions thoroughly before beginning assembly
- When needed, remove photo-etch parts carefully using a modeling knife or photo etch sprue cutter, being careful not to damage or lose small parts.
- Take extra care in handling photo etch parts in order to avoid injury
- Apply instant cement sparingly to photo etch parts where instructed
- Tools recommended(not included in kit):Plastic and instant cements,sprue cutters,long nose pliers,modeling knife, small files, tweezers, pin vise & scissors. Soft cloth and sandpaper will also assist in construction
- Glue and paint are not included in the kit. Use plastic cement and hobby paints only. Color guide for purchasing paint is included in the kit.

装配之前仔细阅读

- 小心用模型锉刀锉平所有零件表面的注射浇口。
- 小心用刀片切下蚀刻片零件，不要遗失小零件。
- 用强力快干胶水粘合蚀刻片零件和金属轴。过量快干胶水。使用可能导致可动零件会粘住，小心涂胶。
- 取蚀刻片时应特别注意安全，防止利边划伤手指。
- 某些零件表面需贴水上贴纸，请选择在装配的同时进行。
- 推荐模型工具(自备)：胶水，水口剪刀，长咀钳，刀片，锉刀，镊子，钳，钻，剪刀，瞬间快干胶。
- 软布同砂纸同时也应该是必备工具。
- 请使用塑料胶水和油漆，模型内不含。

水贴纸的使用:

1. 从水贴纸上剪下印花;
2. 将印花放入温水中浸10秒，然后放在干净布上。
3. 拿着印花纸板将印花移到模型上;
4. 手指蘸水将印花移到适当的位置;
5. 用软布轻压印花直至水干，气泡消失。

DECAL APPLICATION:

1. Cut decals from sheet as needed
2. Dip the decal in warm water for about 10 seconds and then place on soft clean cloth.
3. Hold the decal backing sheet edge and gently slide the decal onto the model in its proper position.
4. While still wet, decal can be adjusted for better fit on model by dampening it gently with your finger.
5. When placed in the proper position, gently press decal down with a soft cloth until excess water and air bubbles are gone.
6. Allow decal to dry completely before handling model



cyanoacrylate glue
使用强力胶



weight
配重



make hole
钻孔



cut / remove
切除



option
选择



no cement
不涂胶水



decal
贴纸



bend
弯曲

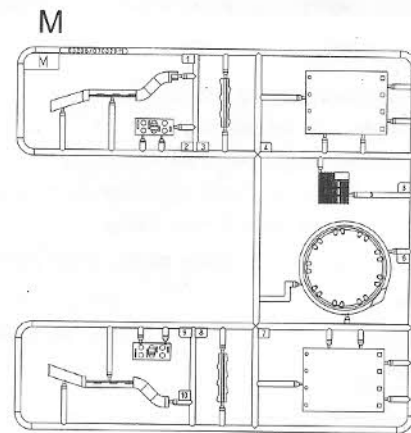
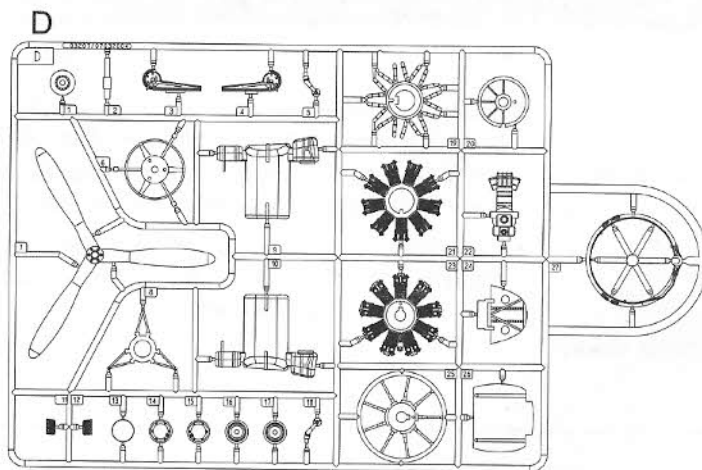
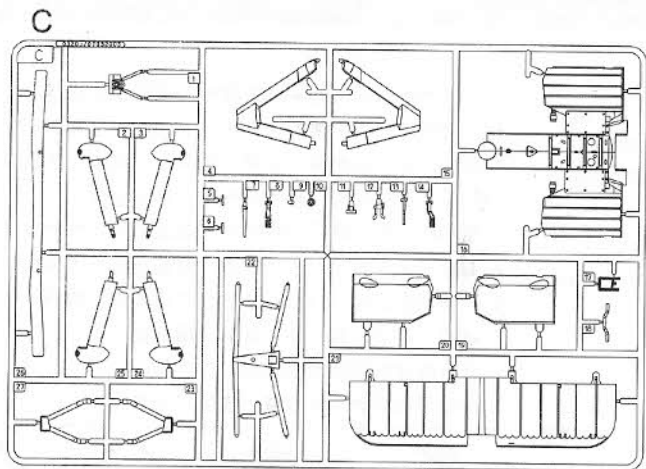
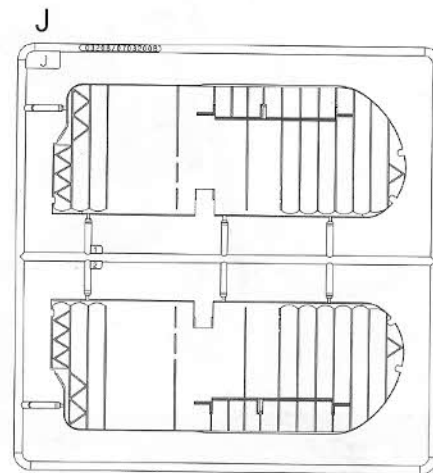
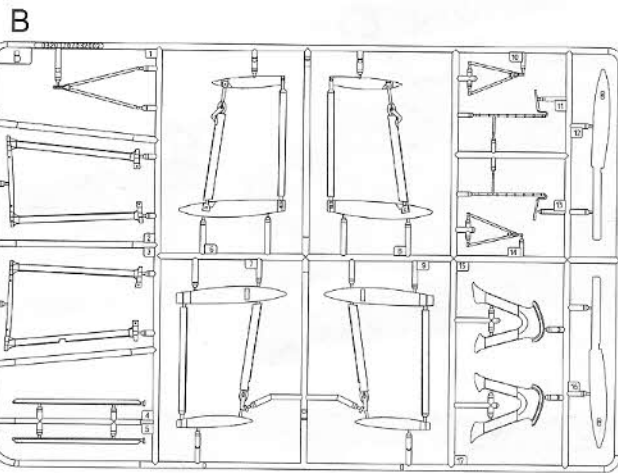
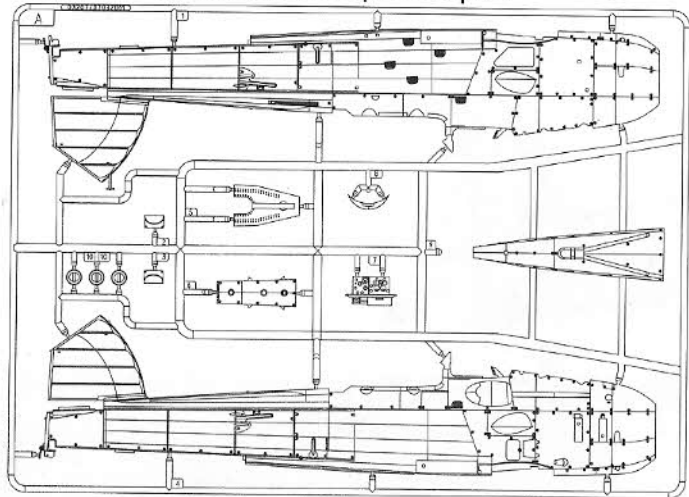


file / sand
锉平

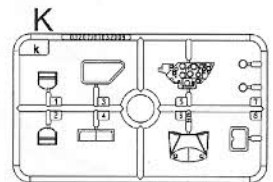
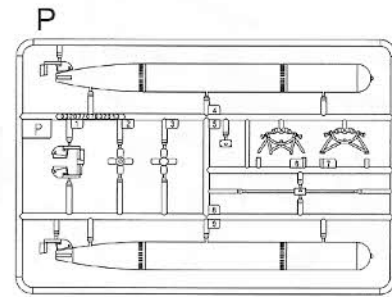
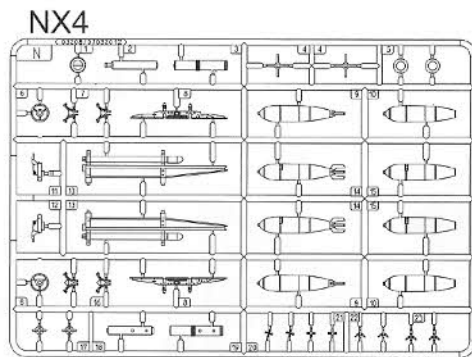
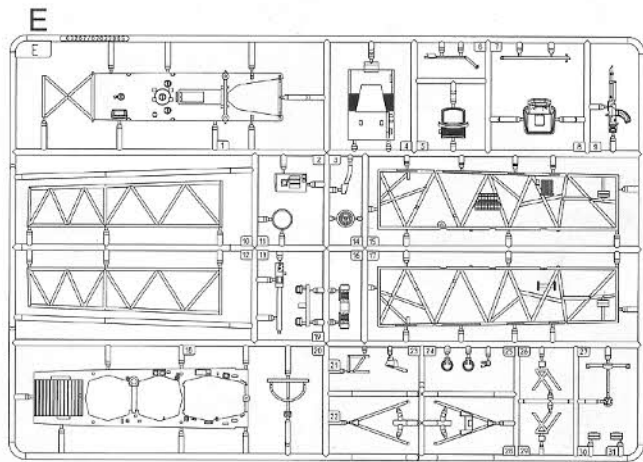
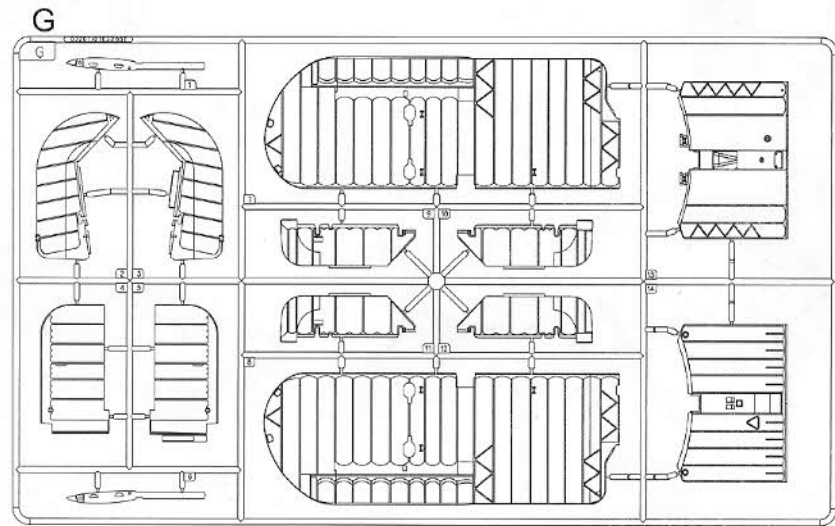
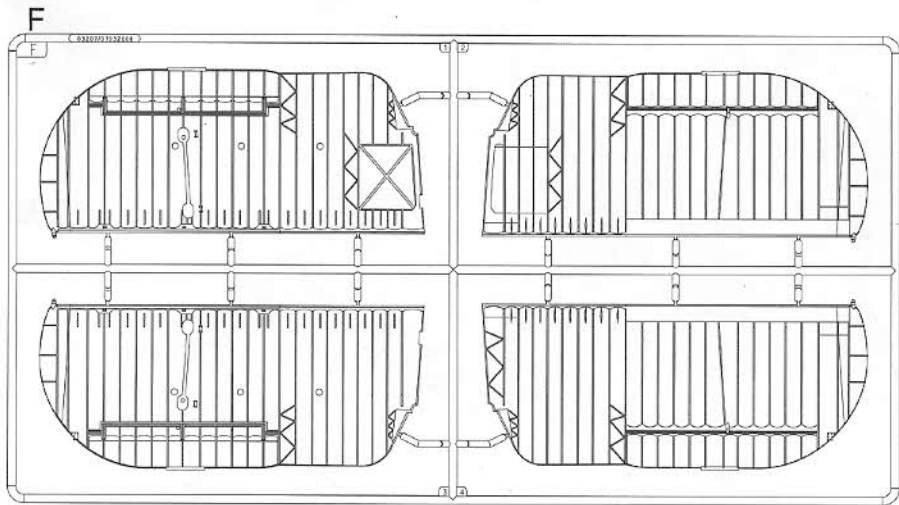
部品图

Parts

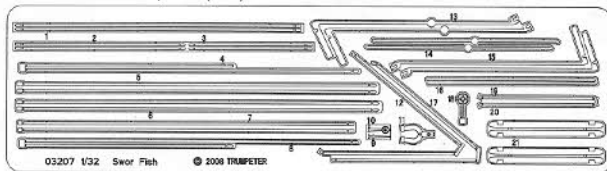
AX2 含1透明版
Include a transparent part



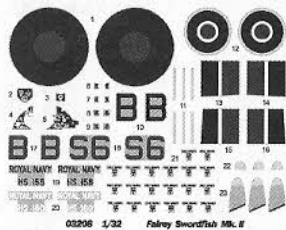
部品图
Parts



《蚀刻片》
Photo etched parts(PE)



《水贴》
Decal



《主轮胎》 X2
Main Tyre

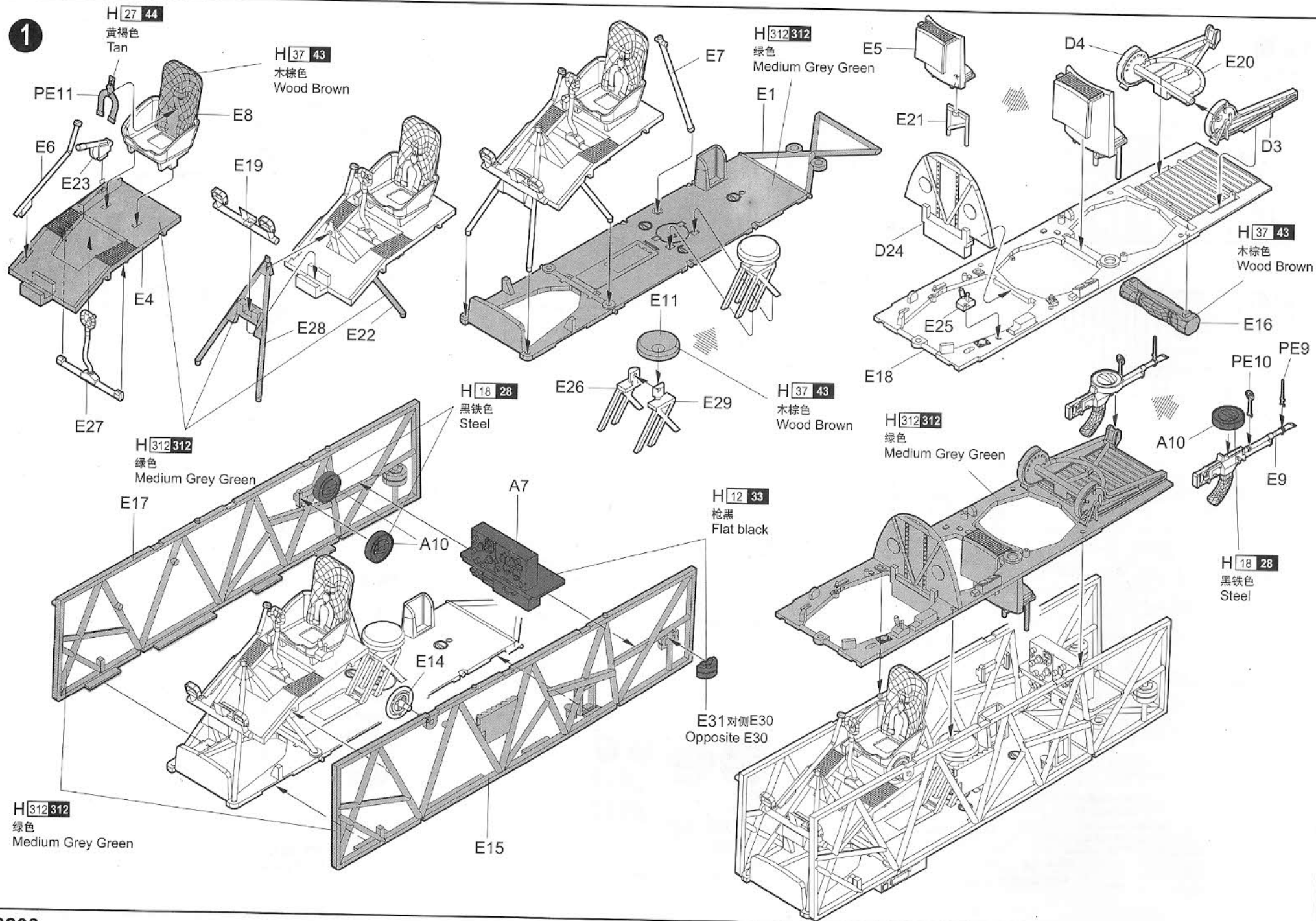


《尾轮胎》
Tail Tyre

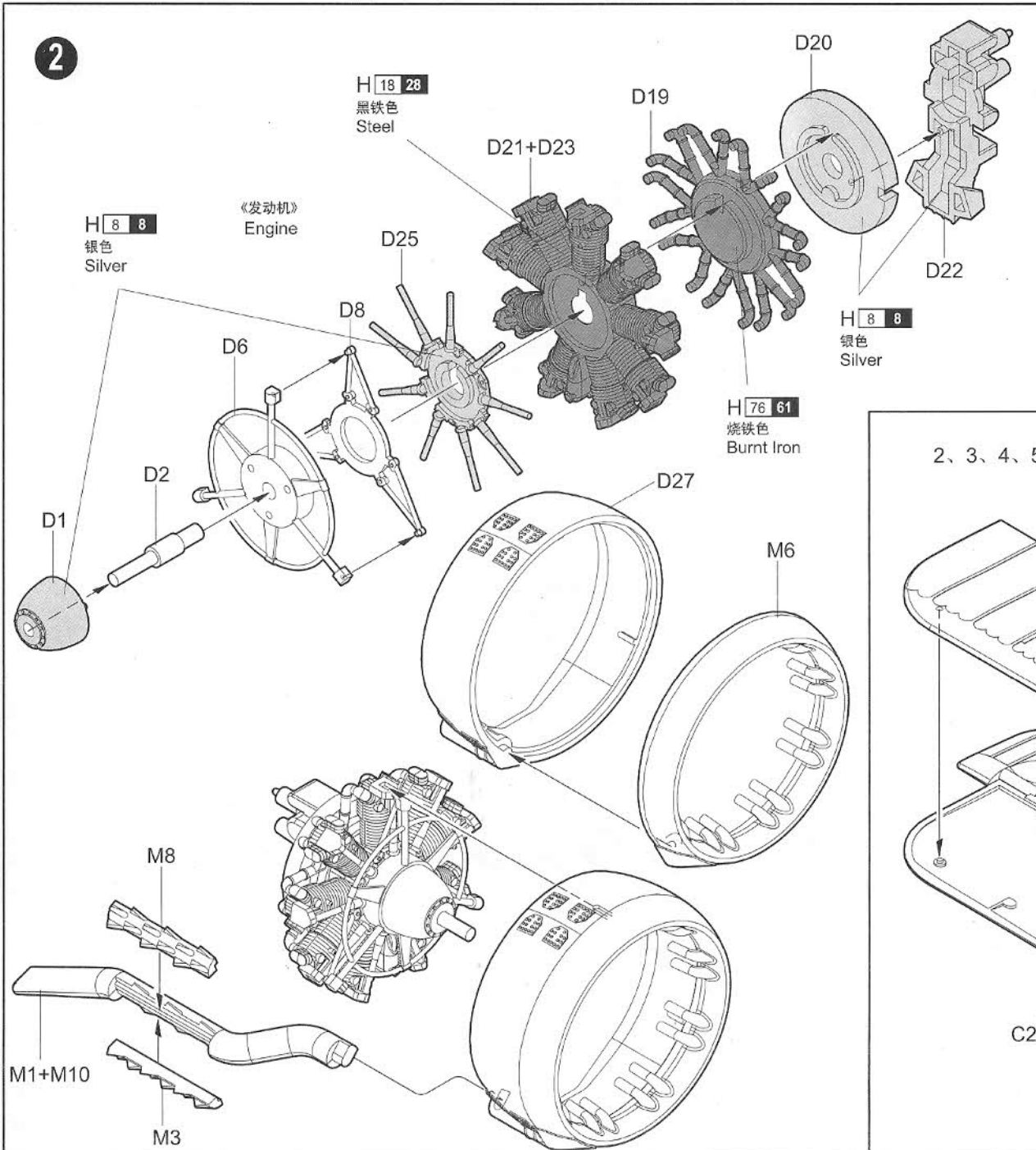


不用的部件: N1
Unused parts

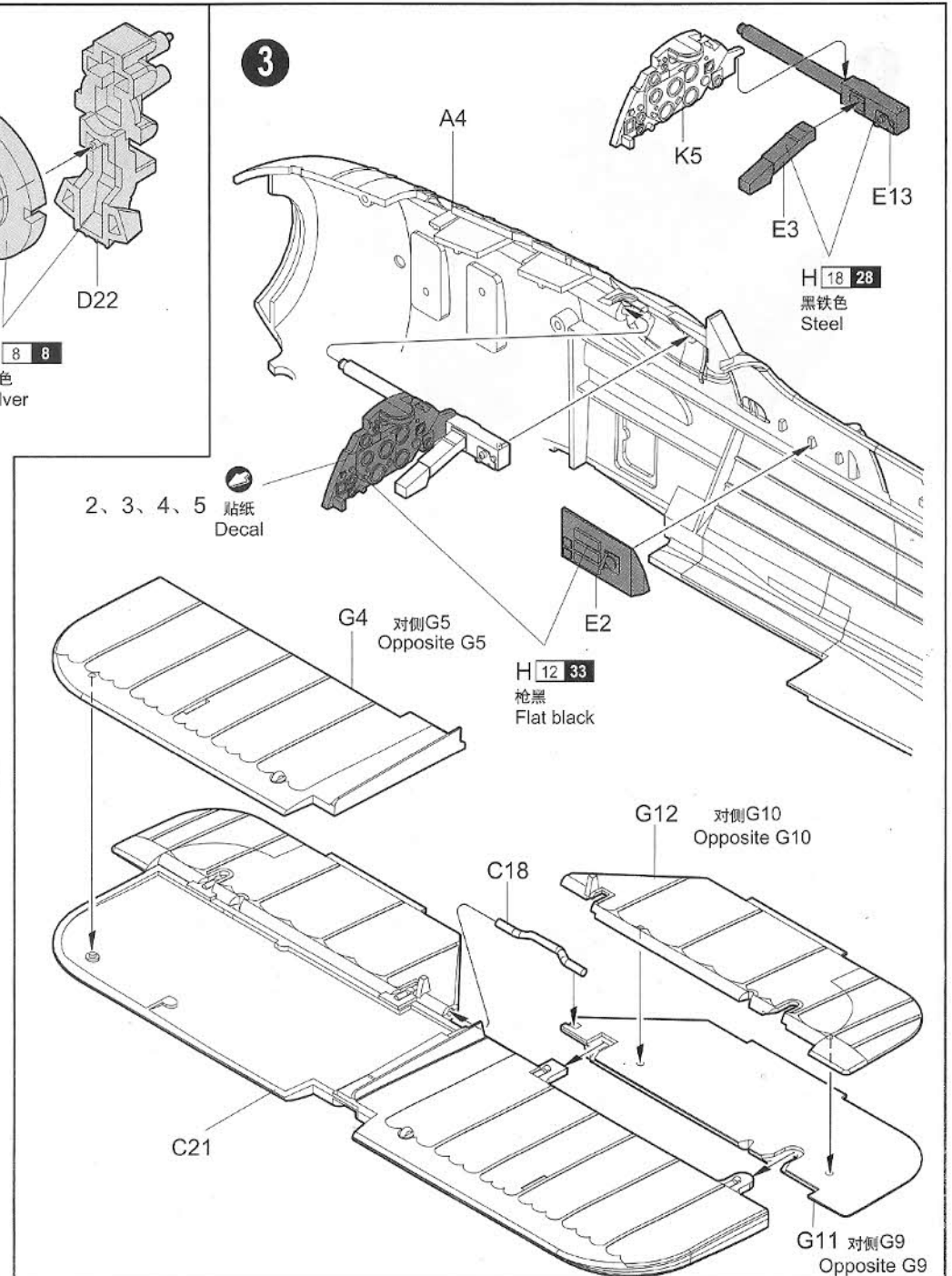
1



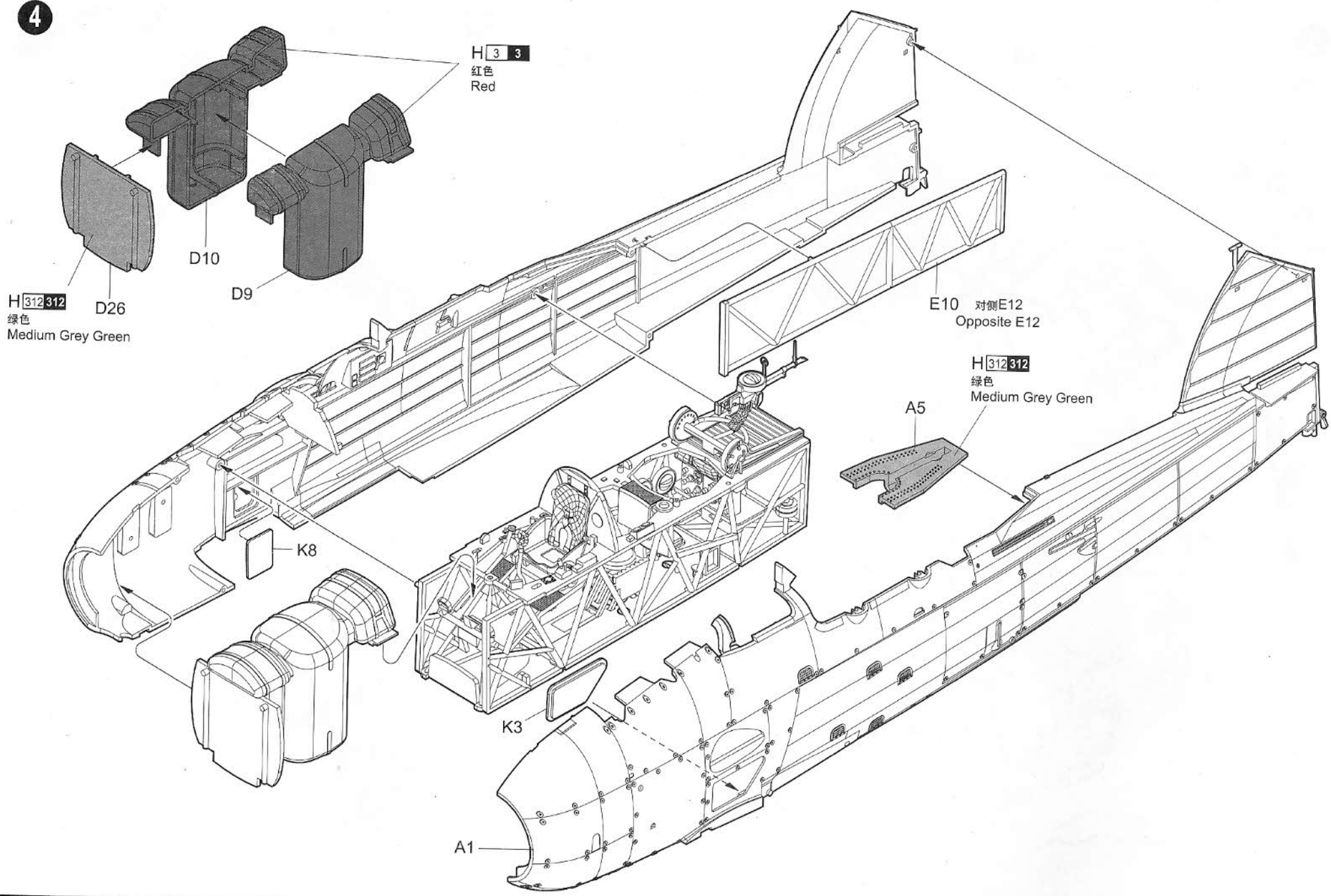
2



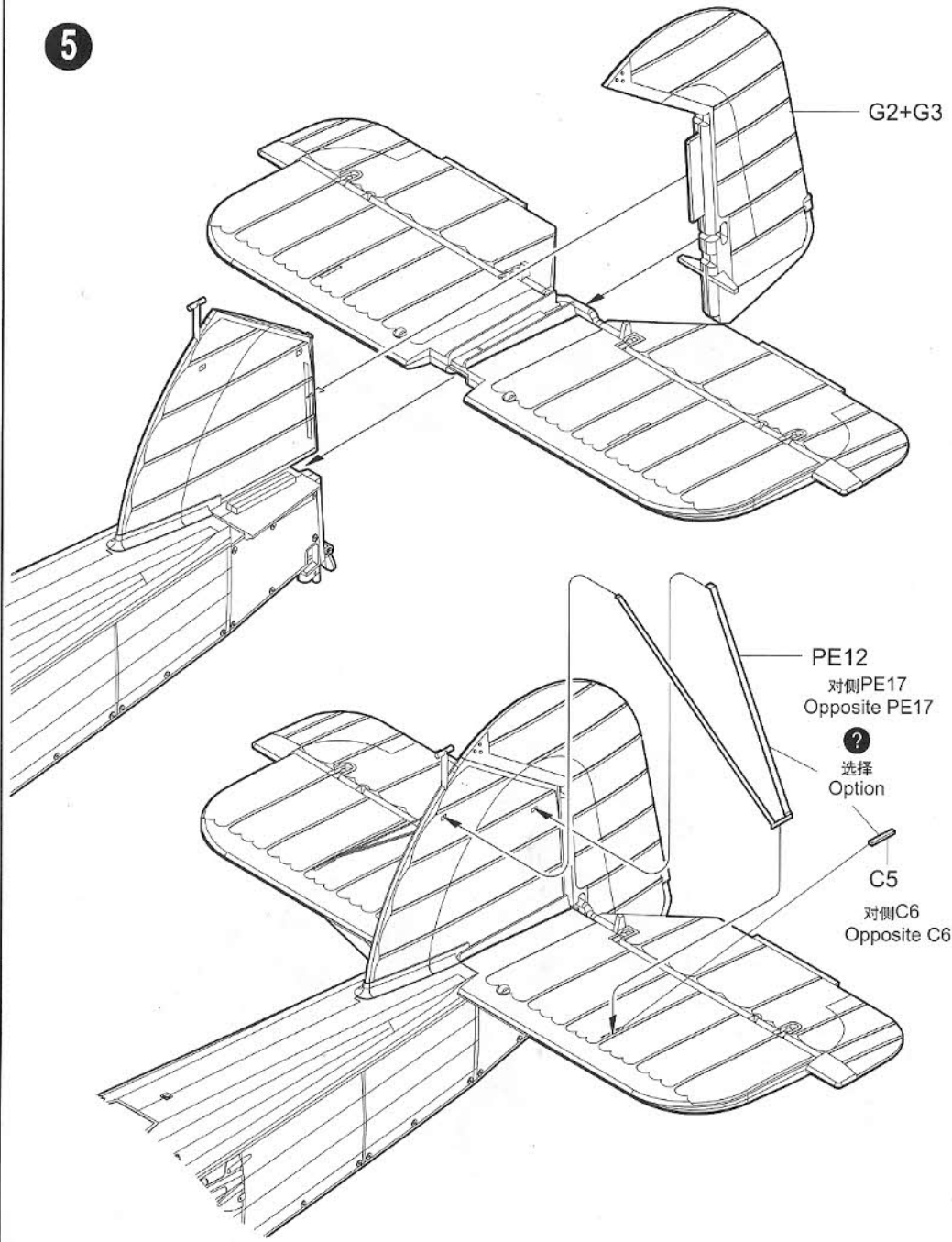
3



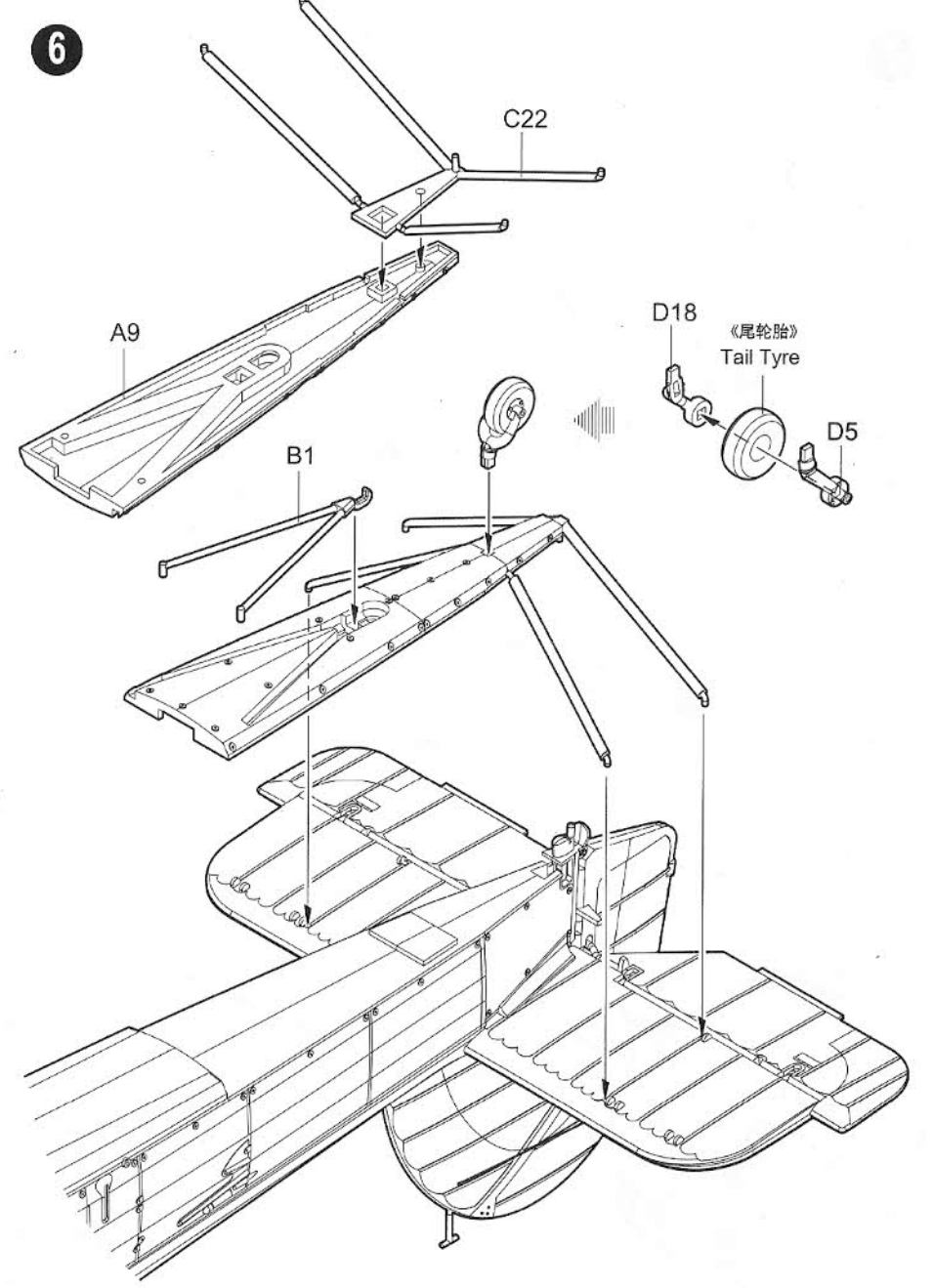
4



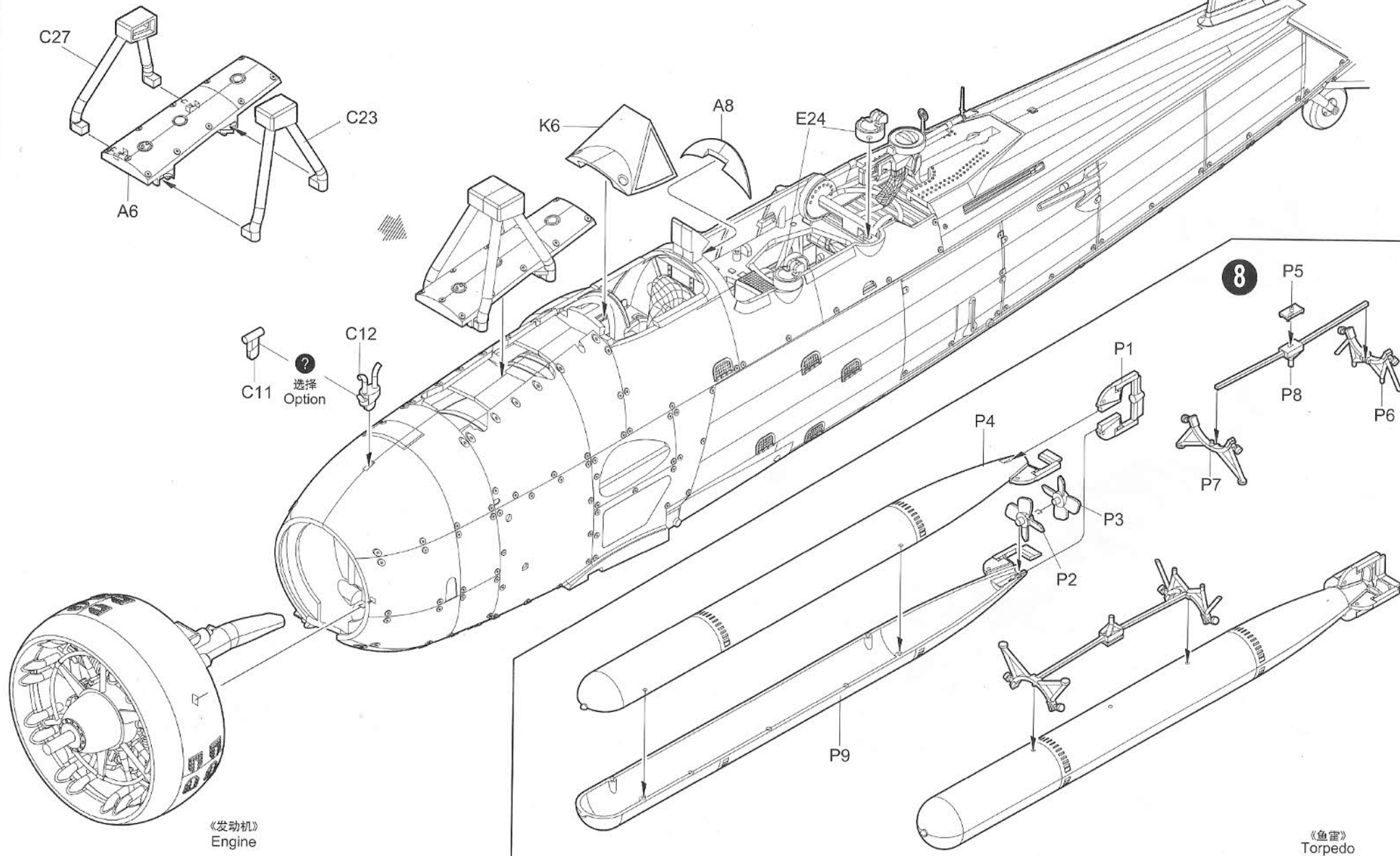
5



6



7



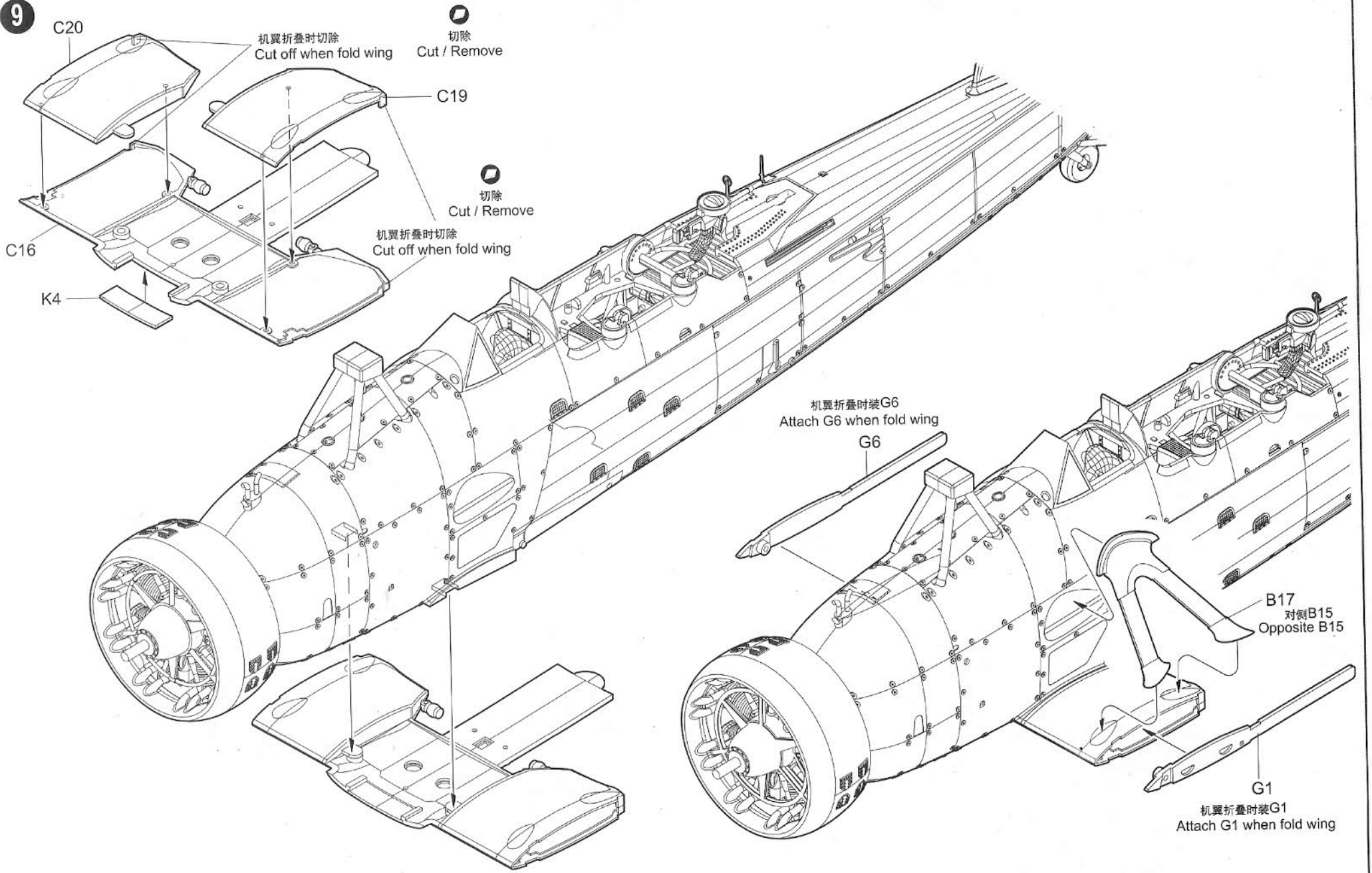
《发动机》
Engine

《鱼雷》
Torpedo

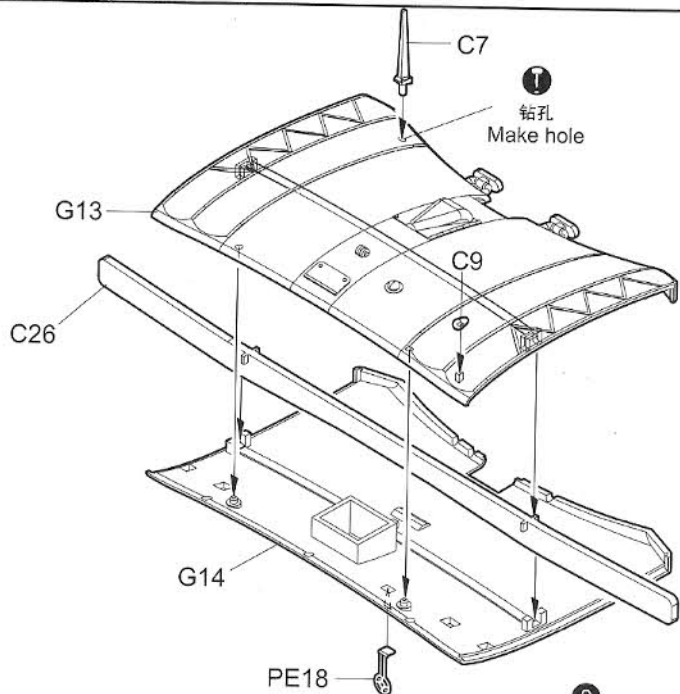
03208

8

9



10

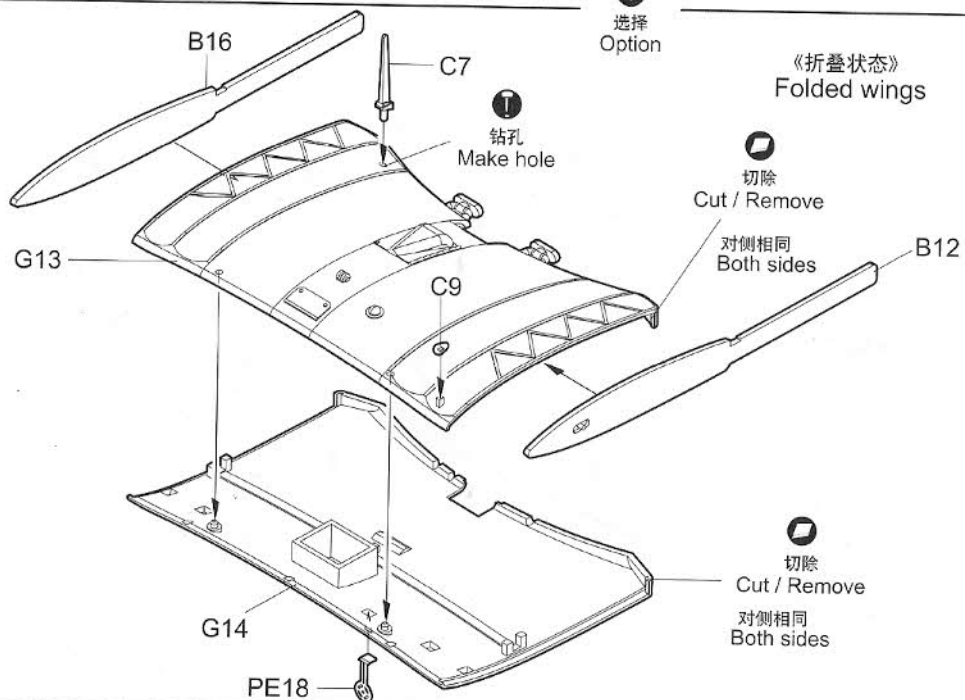


《展开状态》
Spread wings

Ⓜ
钻孔
Make hole

Ⓝ
选择
Option

《折叠状态》
Folded wings



Ⓜ
钻孔
Make hole

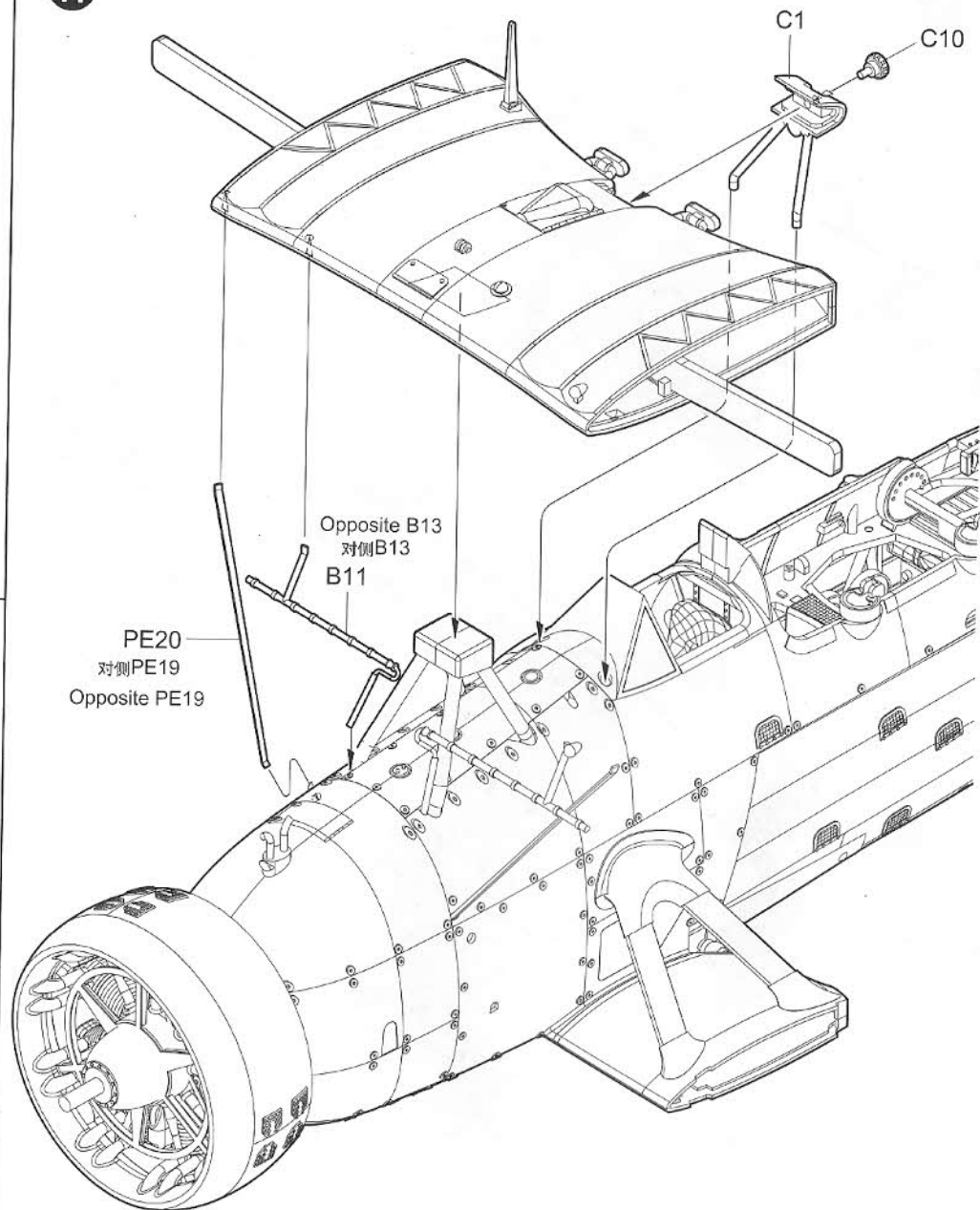
Ⓝ
切除
Cut / Remove

对侧相同
Both sides

Ⓝ
切除
Cut / Remove

对侧相同
Both sides

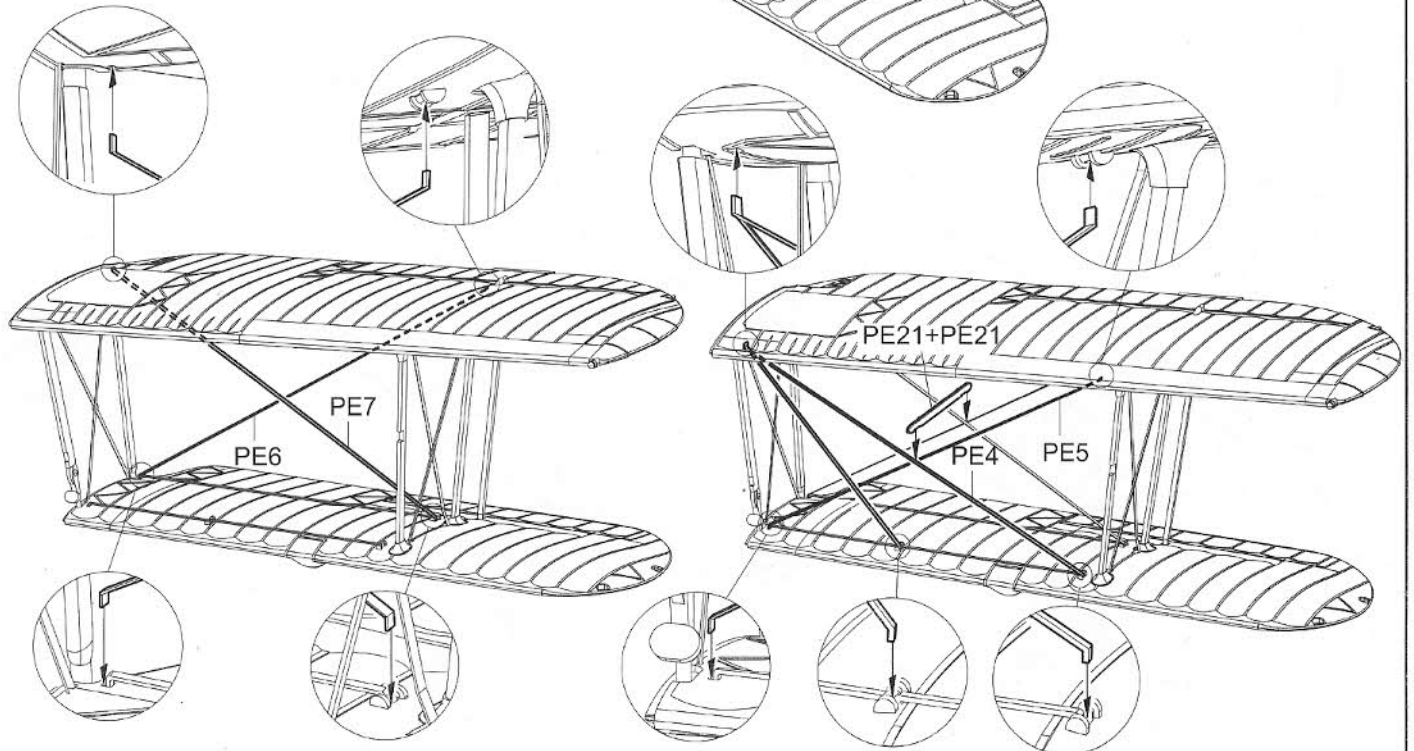
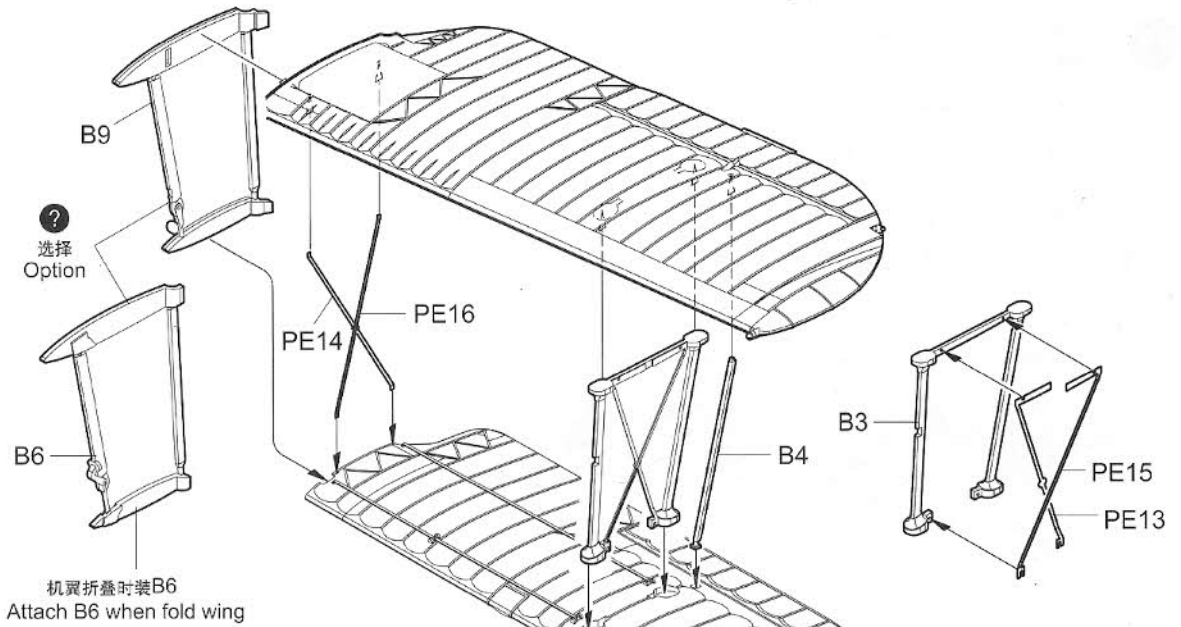
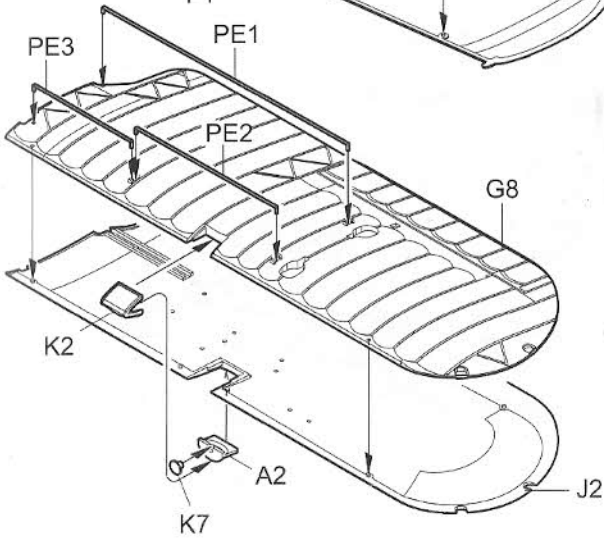
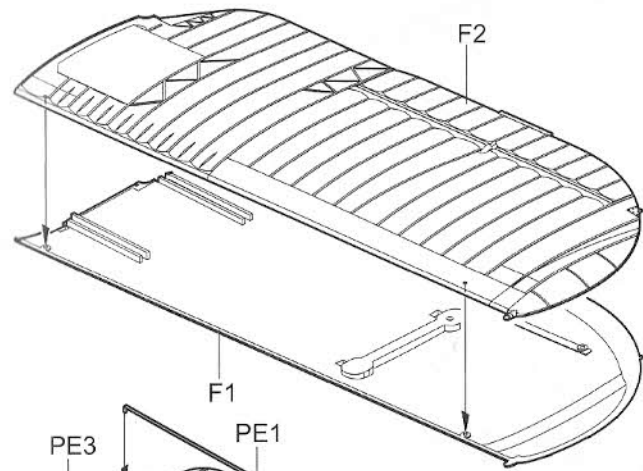
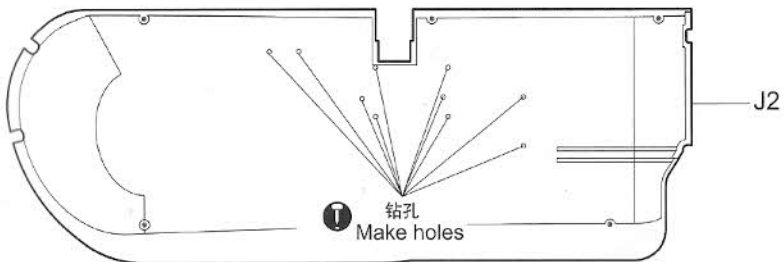
11



PE20
对侧PE19
Opposite PE19

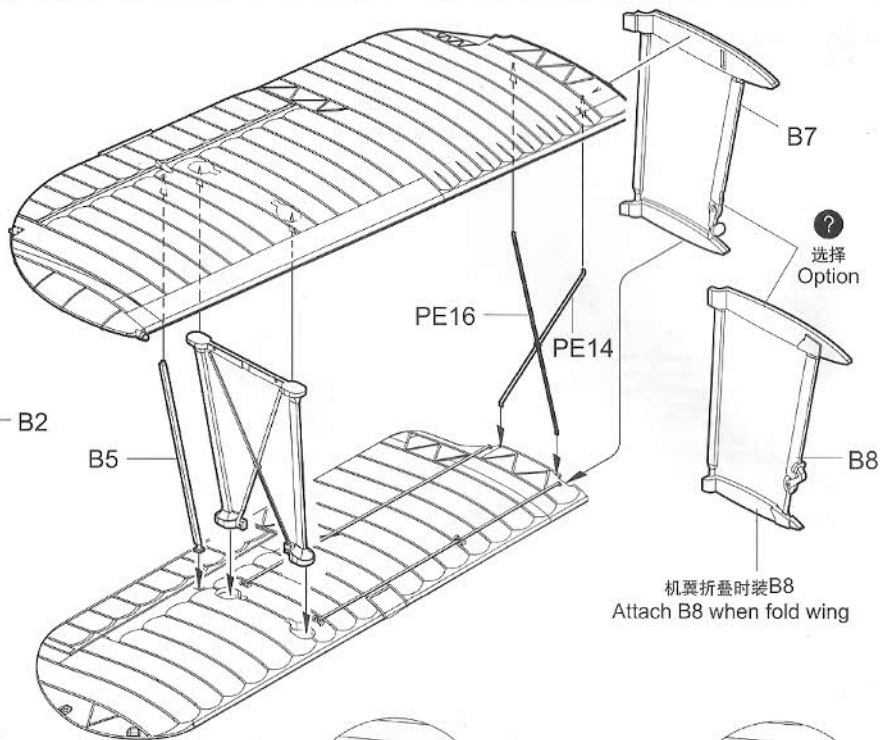
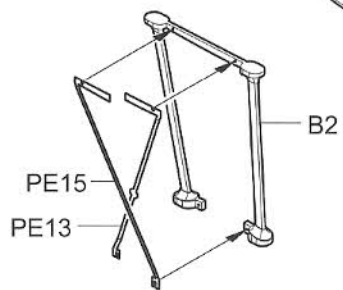
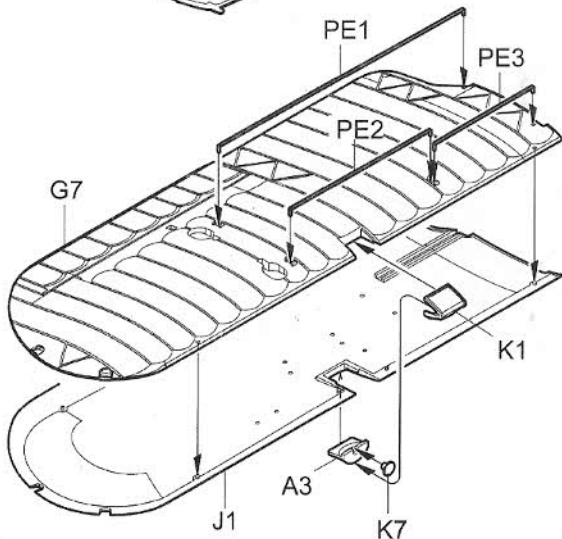
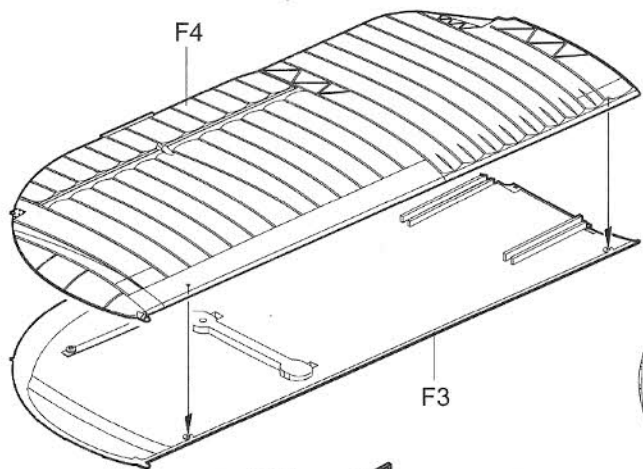
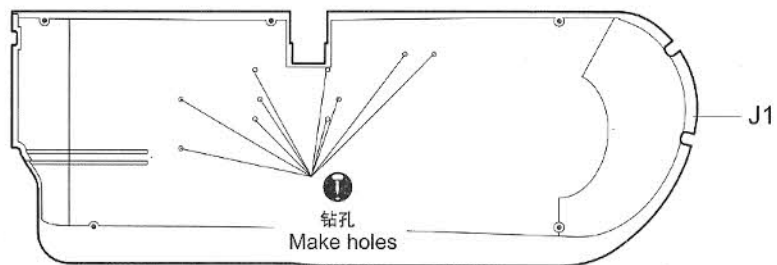
Opposite B13
对侧B13

12 《左侧机翼》
Left wing

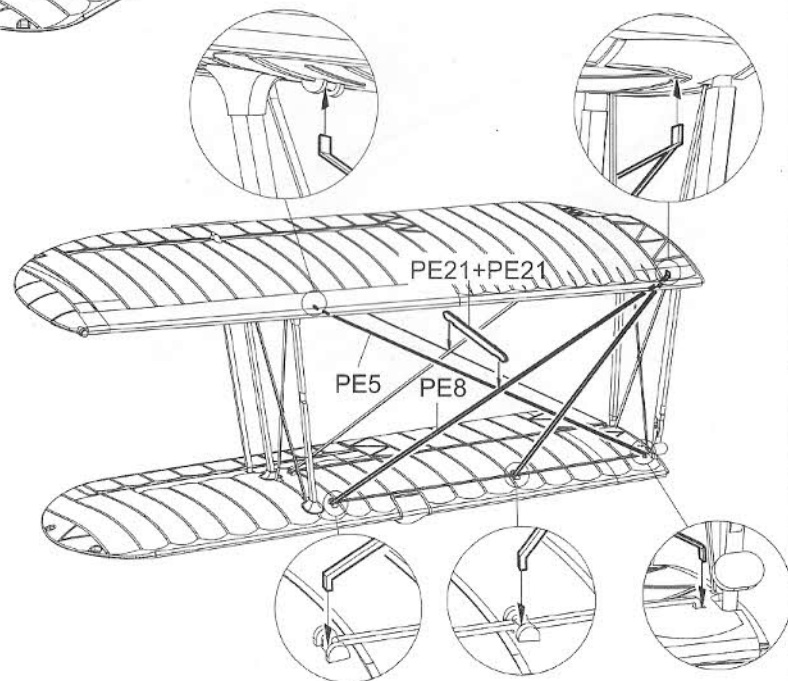
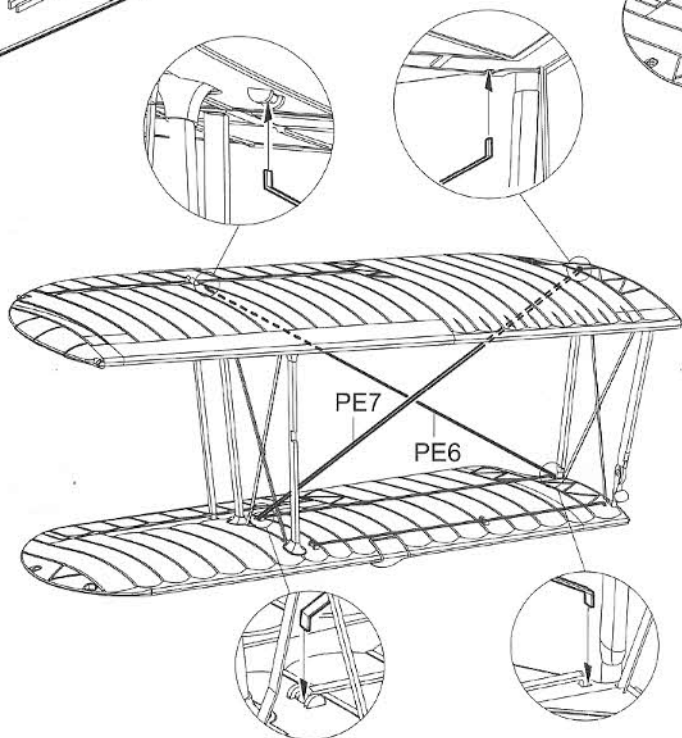


13

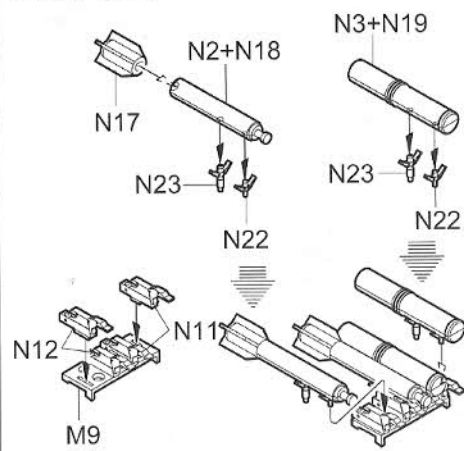
《右侧机翼》
Right wing



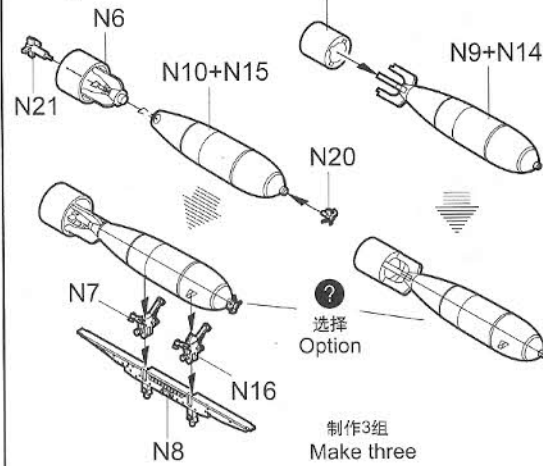
选择
Option



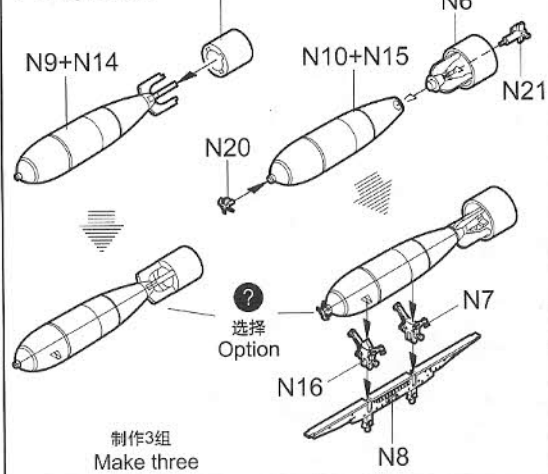
《发烟弹》
Smoke bomb



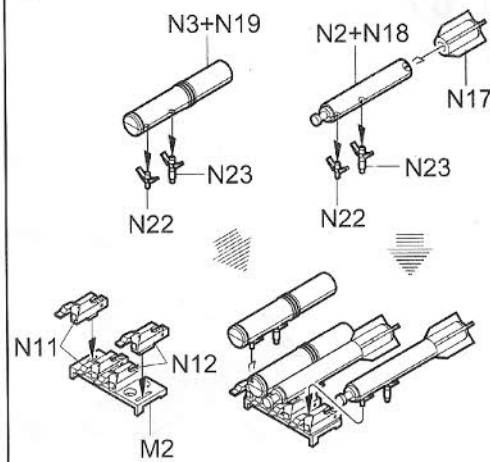
《113kg炸弹》
113kg bomb



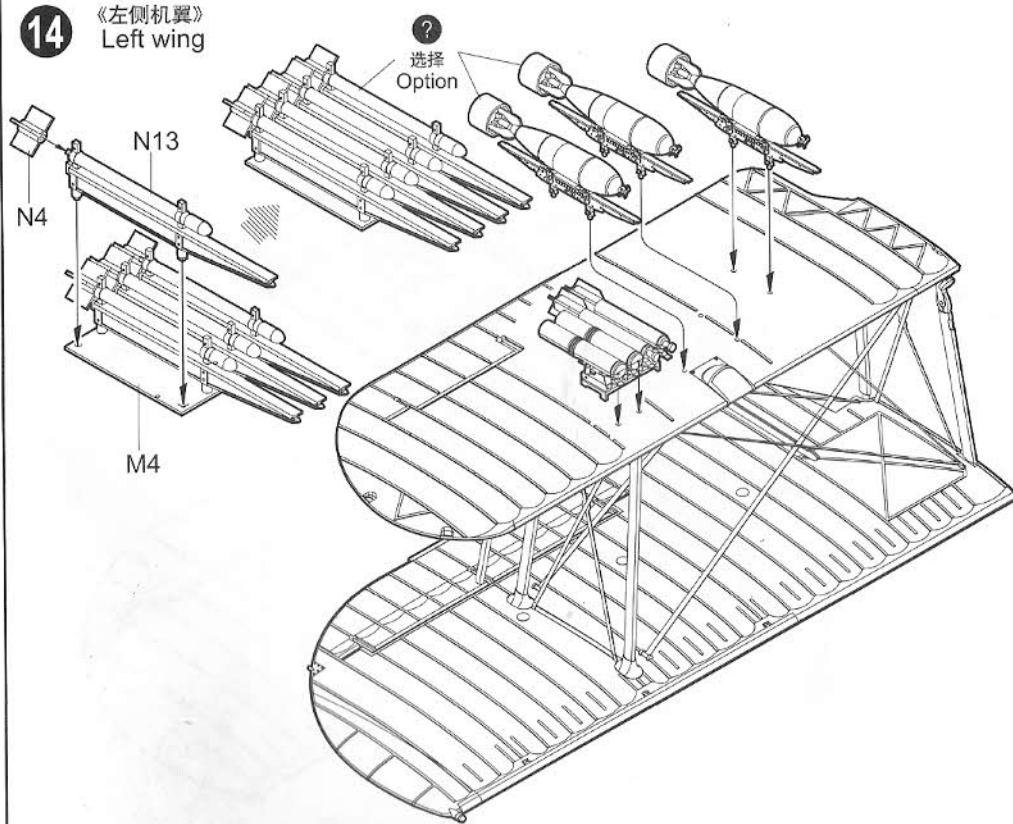
《113kg炸弹》
113kg bomb



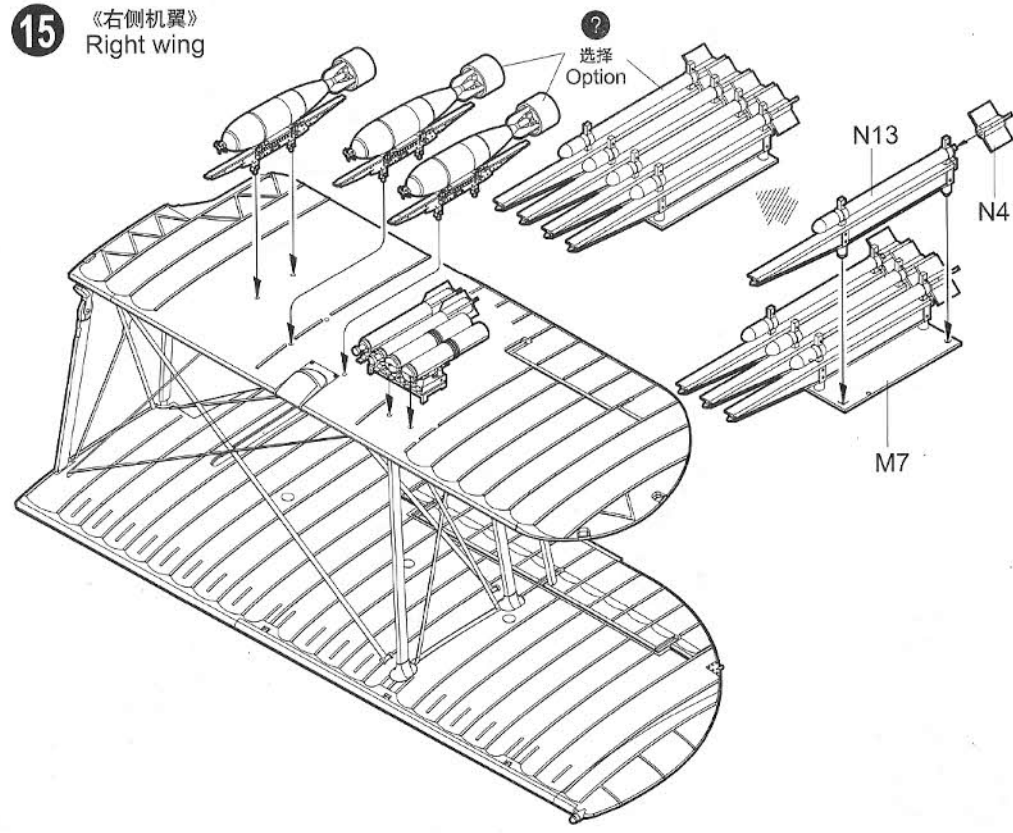
《发烟弹》
Smoke bomb



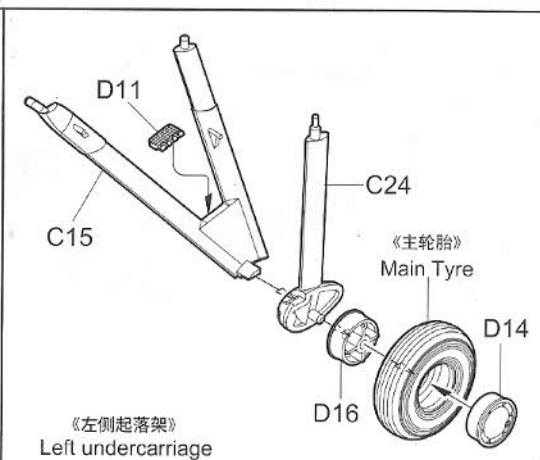
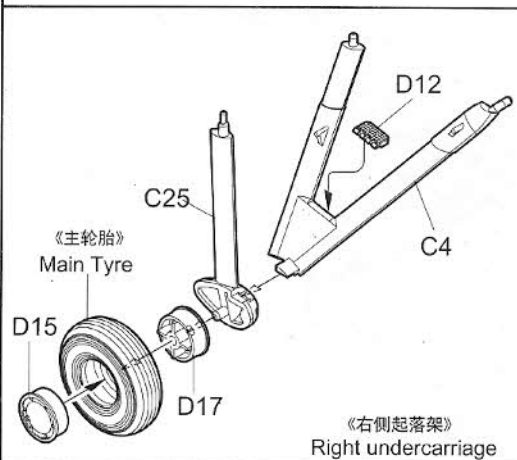
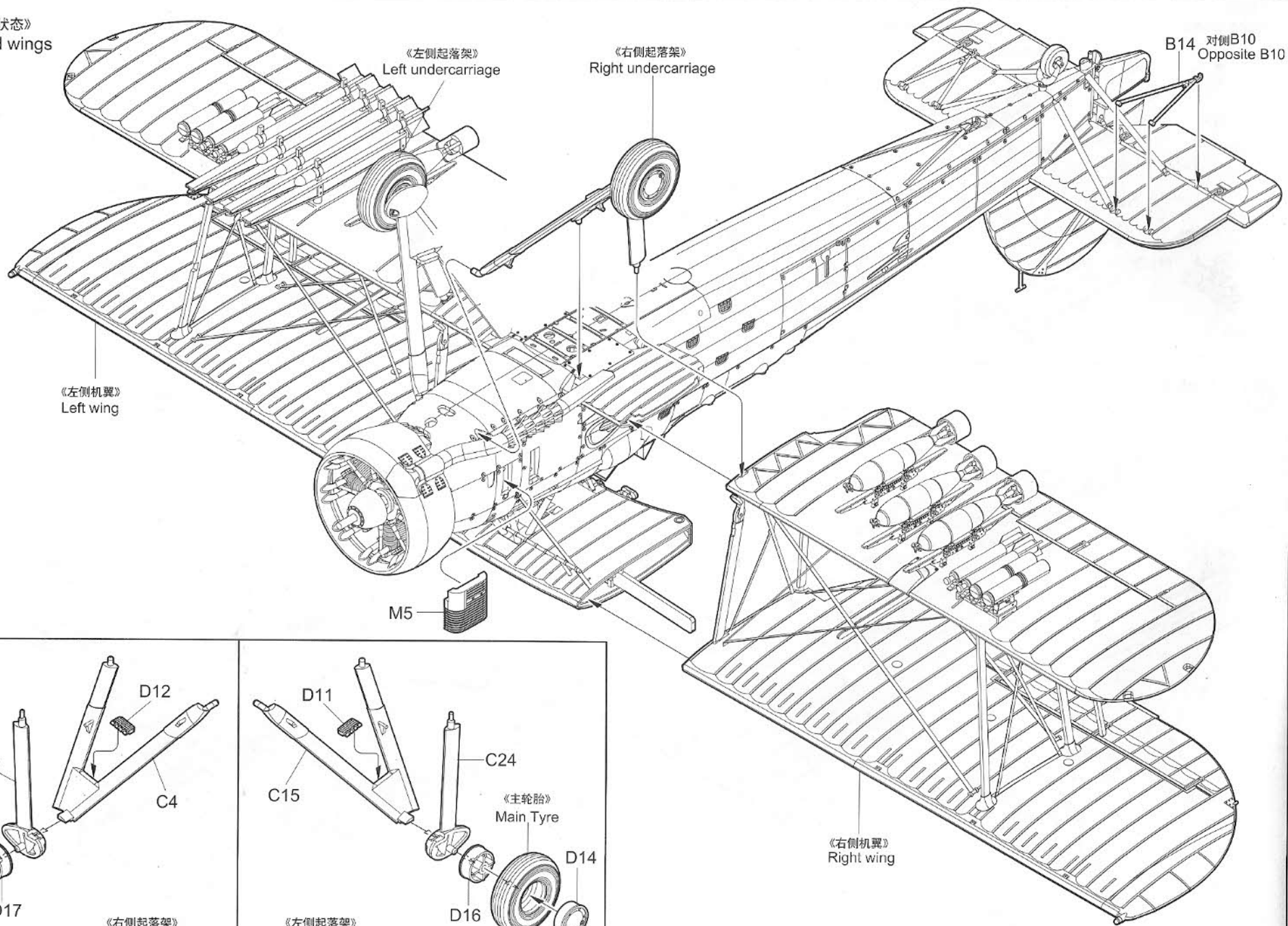
14 《左侧机翼》
Left wing

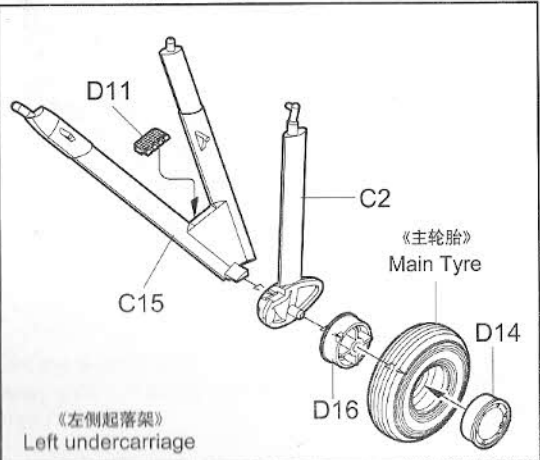
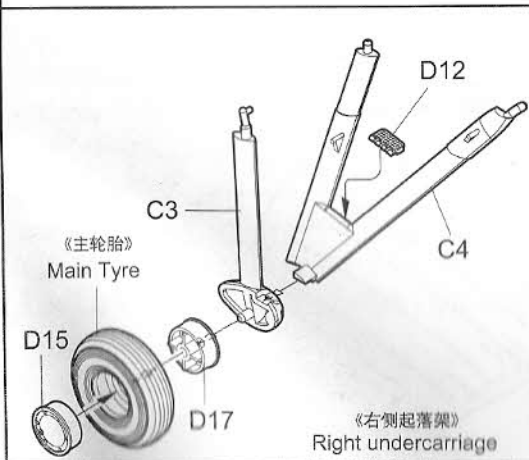
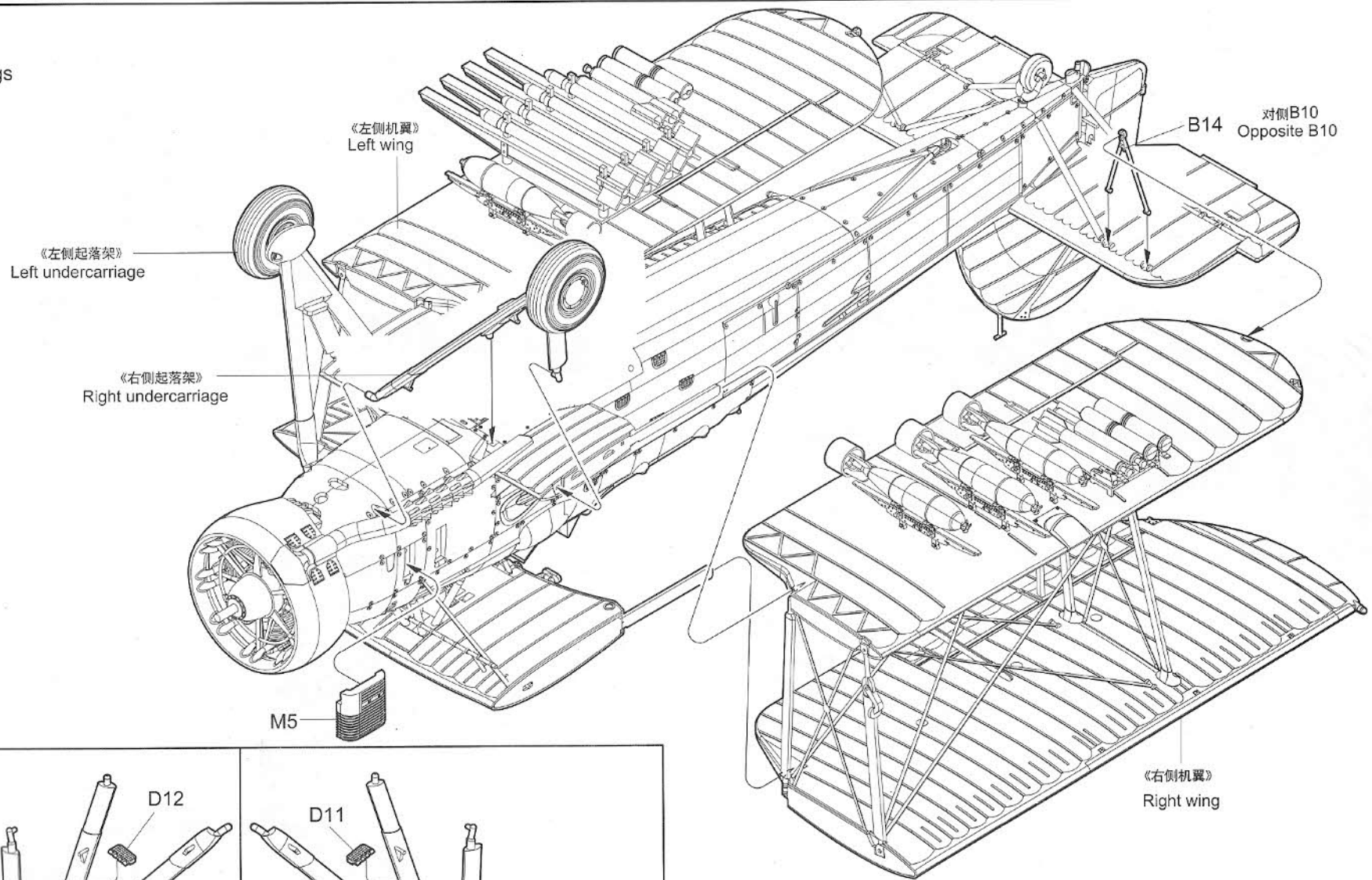


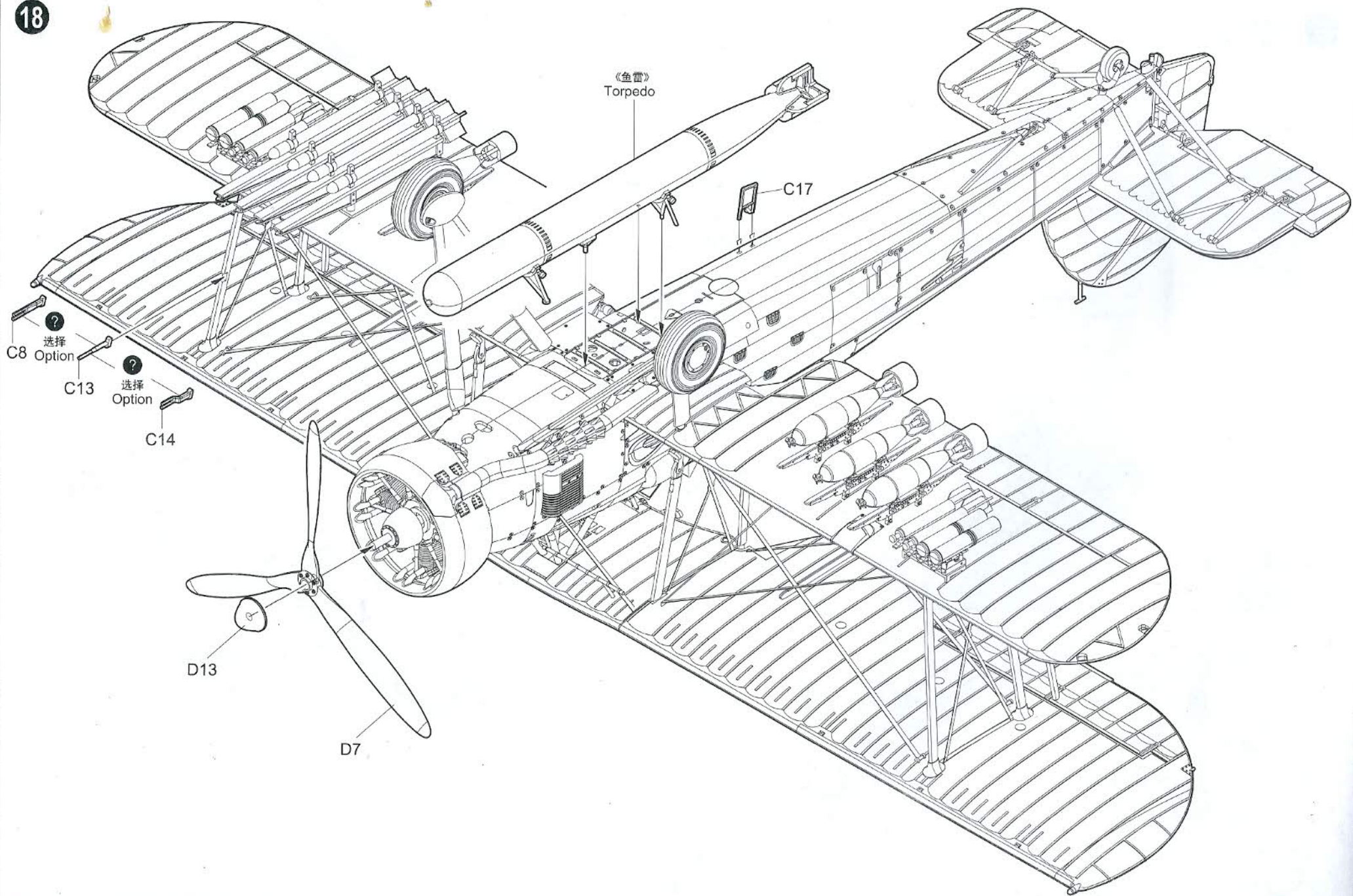
15 《右侧机翼》
Right wing



16 《展开状态》
Spread wings

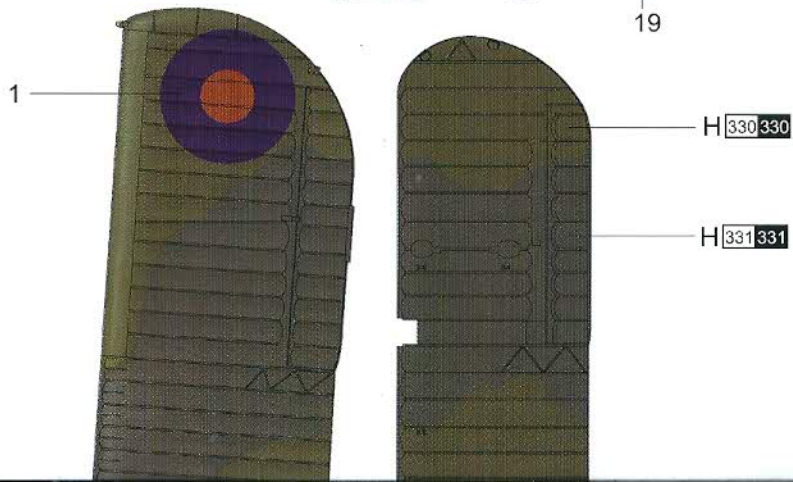
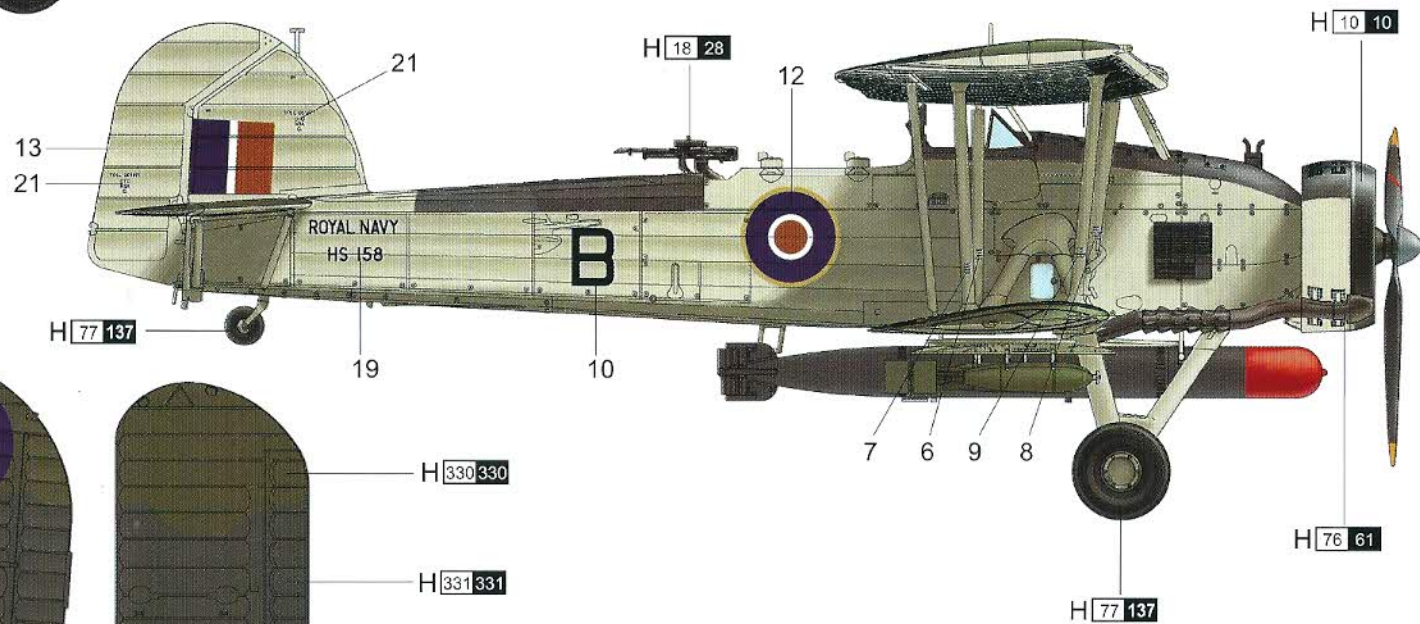
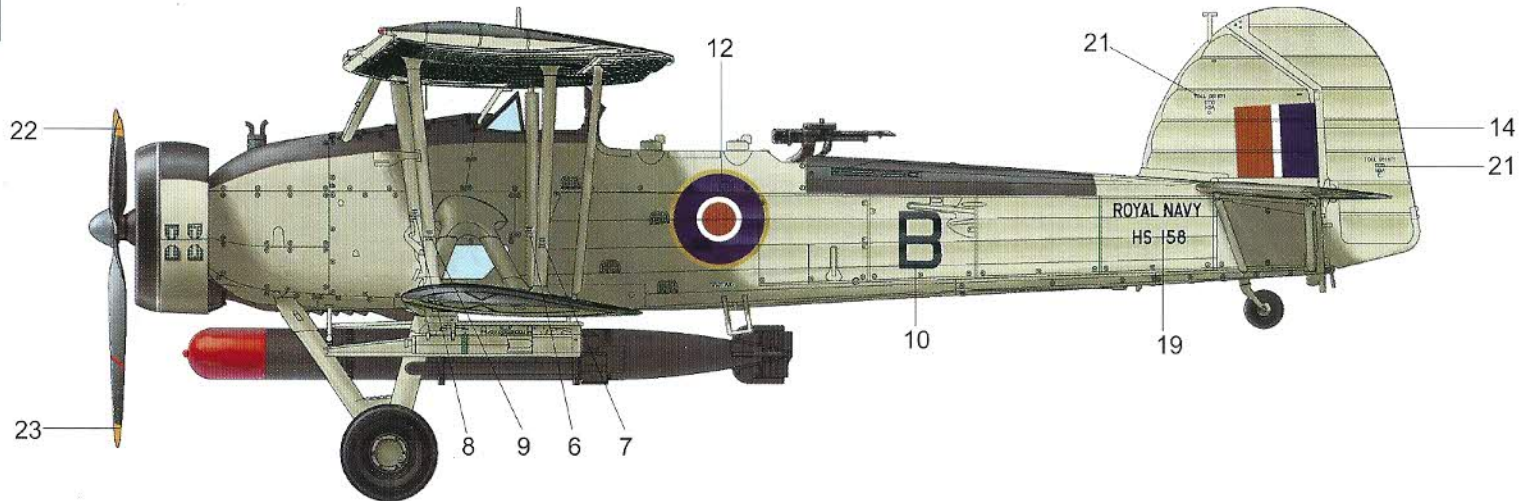






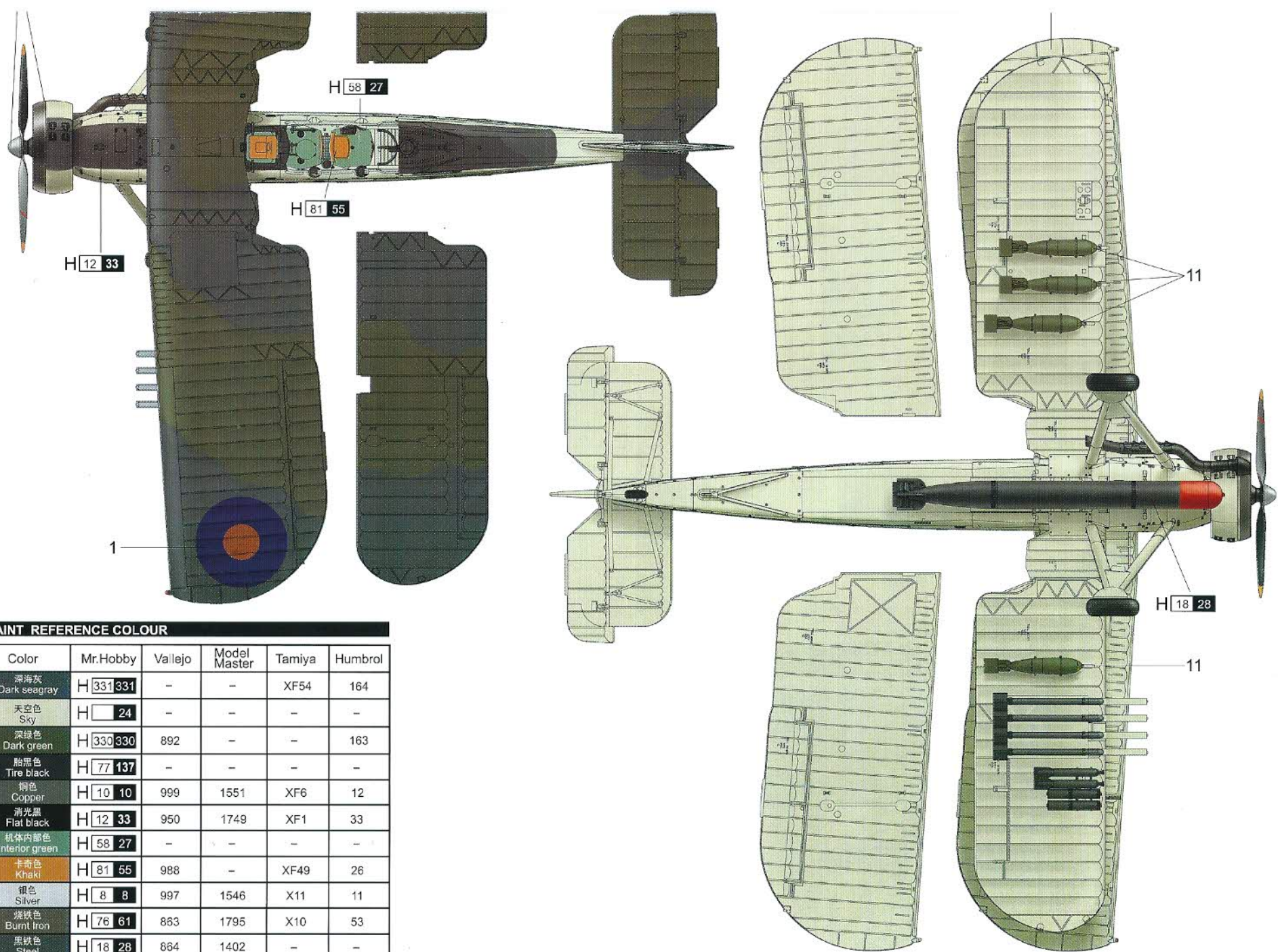
涂装同标贴指示
Painting & Marking guide

A



H 8 8

H 24



PAINT REFERENCE COLOUR

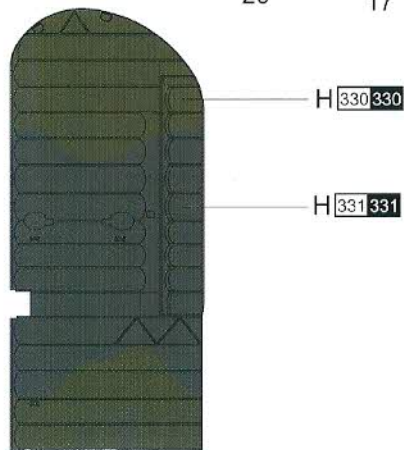
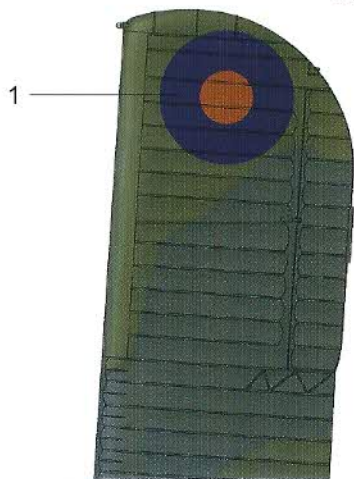
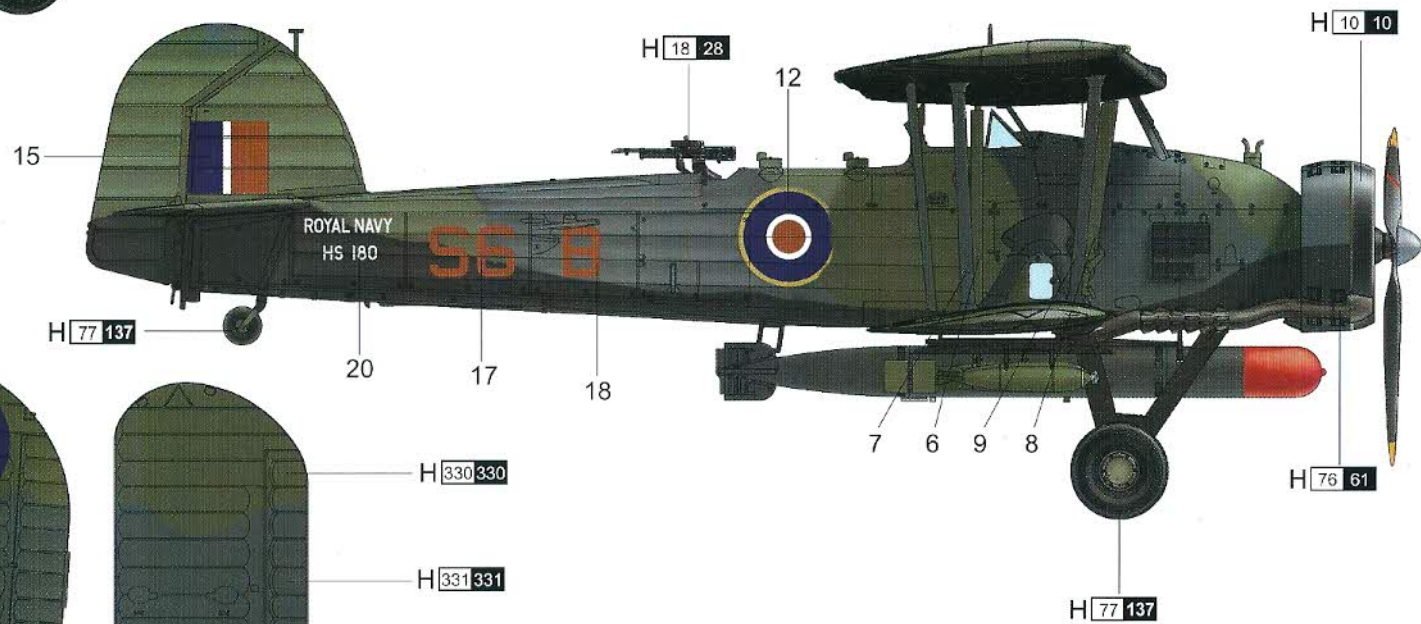
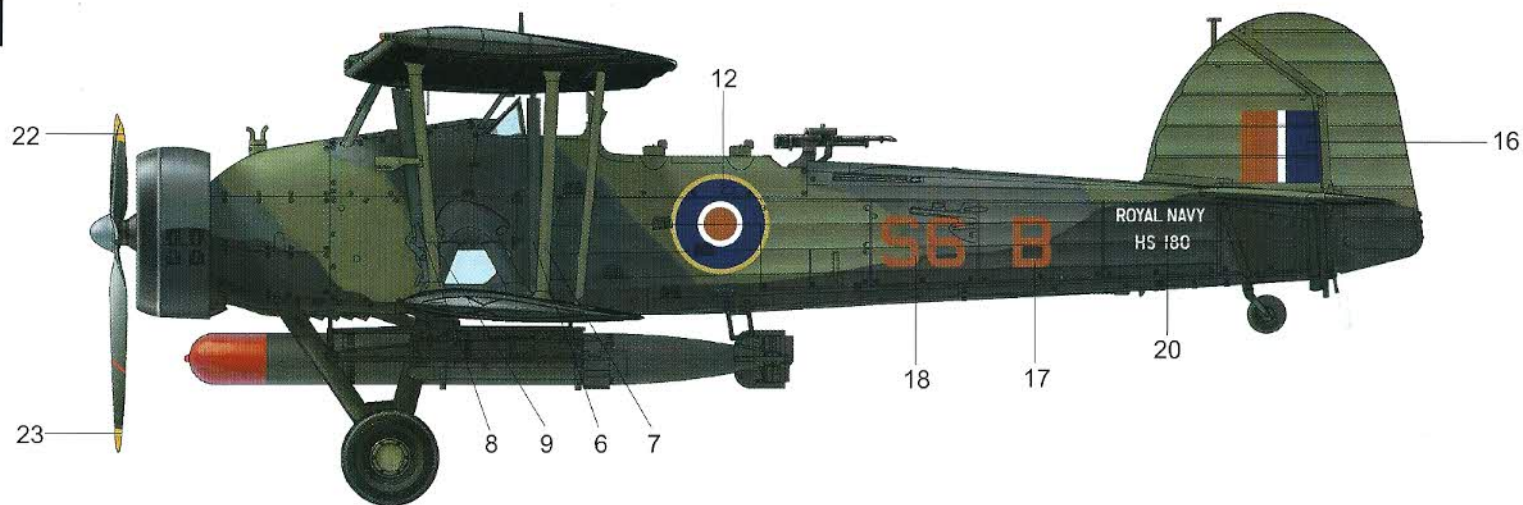
Color	Mr.Hobby	Vallejo	Model Master	Tamiya	Humbrol
深海灰 Dark seagray	H 331 331	-	-	XF54	164
天空色 Sky	H 24	-	-	-	-
深绿色 Dark green	H 330 330	892	-	-	163
胎黑色 Tire black	H 77 137	-	-	-	-
铜色 Copper	H 10 10	999	1551	XF6	12
消光黑 Flat black	H 12 33	950	1749	XF1	33
机体内部色 Interior green	H 58 27	-	-	-	-
卡奇色 Khaki	H 81 55	988	-	XF49	26
银色 Silver	H 8 8	997	1546	X11	11
烧铁色 Burnt Iron	H 76 61	883	1795	X10	53
黑铁色 Steel	H 18 28	864	1402	-	-

H X AQUEOUS HOBBY COLOR

X Mr. COLOR

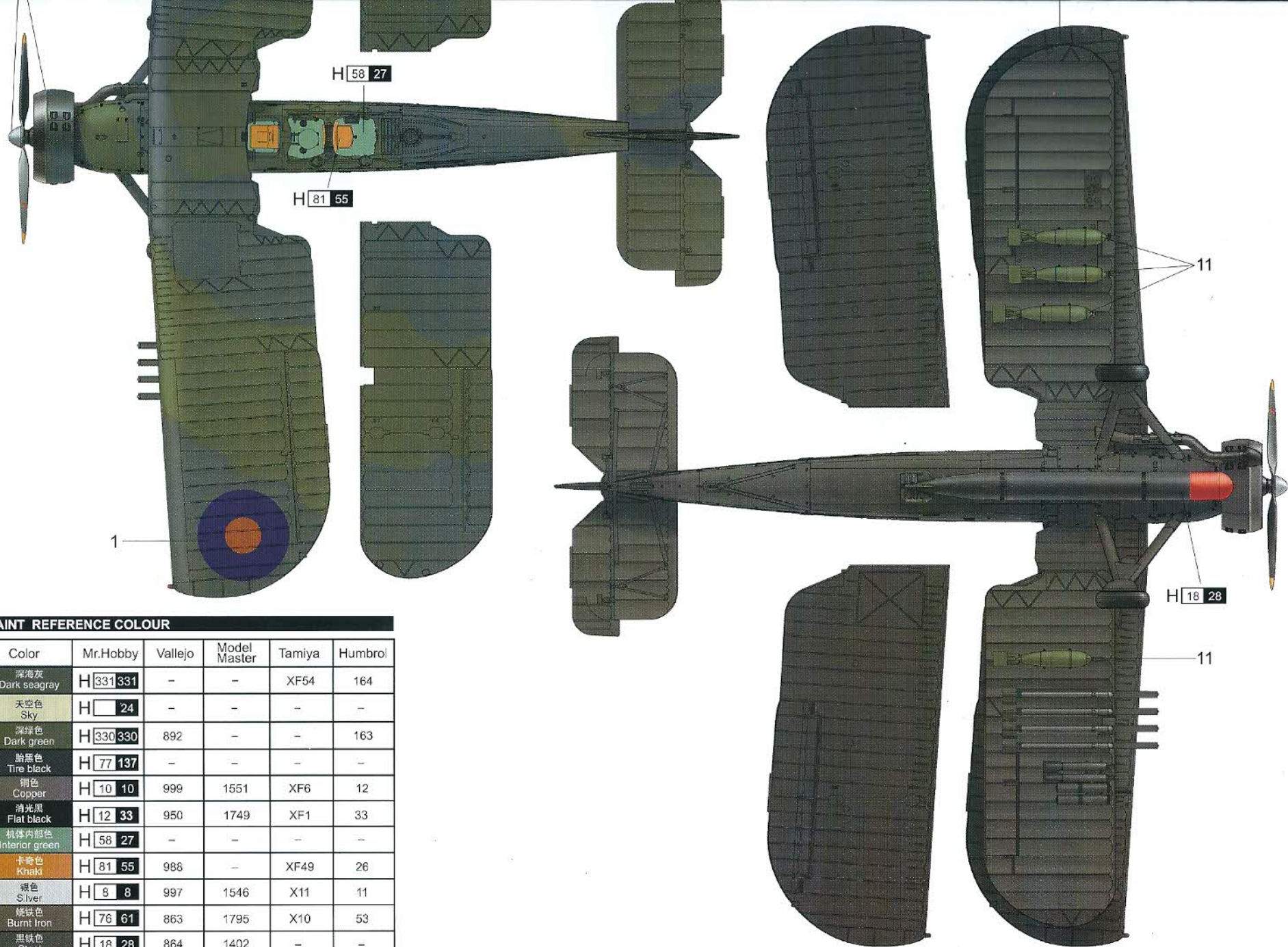
涂装同标贴指示
Painting & Marking guide

B



H 8 8

H 12 33



H 58 27

H 81 55

11

H 18 28

11

PAINT REFERENCE COLOUR

Color	Mr.Hobby	Vallejo	Model Master	Tamiya	Humbrol
深海灰 Dark seagray	H 331 331	-	-	XF54	164
天空色 Sky	H 24	-	-	-	-
深绿色 Dark green	H 330 330	892	-	-	163
胎黑色 Tire black	H 77 137	-	-	-	-
铜色 Copper	H 10 10	999	1551	XF6	12
消光黑 Flat black	H 12 33	950	1749	XF1	33
机体内部色 Interior green	H 58 27	-	-	-	-
卡奇色 Khaki	H 81 55	988	-	XF49	26
银色 Silver	H 8 8	997	1546	X11	11
烧铁色 Burnt Iron	H 76 61	863	1795	X10	53
黑铁色 Steel	H 18 28	864	1402	-	-

H(X) AQUEOUS HOBBY COLOR

X Mr. COLOR

03208 1/32 Swordfish Mk. II