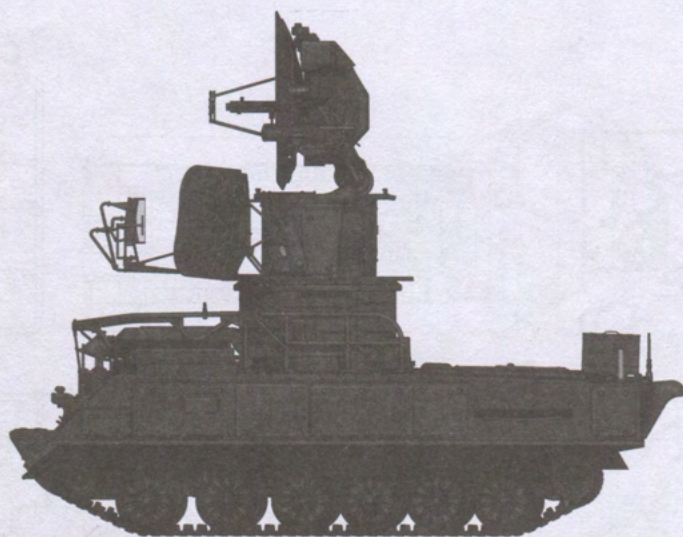


1/35 SCALE

ITEM NO.:09571



Russian 1S91 SURN KUB Radar

俄罗斯1S91雷达车

READ BEFORE ASSEMBLY:

- Study and understand these instructions thoroughly before beginning assembly
- When needed, remove photo-etch parts carefully using a modeling knife or photo etch sprue cutter, being careful not to damage or lose small parts.
- Take extra care in handling photo etch parts in order to avoid injury
- Apply instant cement sparingly to photo etch parts where instructed
- Tools recommended(not included in kit):Plastic and instant cements, sprue cutters,long nose pliers,modeling knife, small files, tweezers, pin vise & scissors. Soft cloth and sandpaper will also assist in construction
- Glue and paint are not included in the kit. Use plastic cement and hobby paints only. Color guide for purchasing paint is included in the kit.

装配之前仔细阅读

- 小心用模型锉刀锉平所有零件表面的注射浇口。
- 小心用刀片切下蚀刻片零件，不要遗失小零件。
- 用强力快干胶水粘合蚀刻片零件和金属轴。过量快干胶水使用可能导致可动零件会粘住，小心涂胶。
- 取蚀刻片时应特别注意安全，防止利边划伤手指。
- 某些零件表面需贴水上贴纸，请选择在装配的同时进行。
- 推荐模型工具(自备)：胶水，水口剪刀，长咀钳，刀片，锉刀，镊子，钳，钻，剪刀，瞬间快干胶。
- 软布同砂纸同时也应该是必备工具。
- 请使用塑料胶水和油漆，模型内不含。



配置
Weight



使用强力胶
Cyanoacrylate glue



钻孔
Make hole



切除
Cut / Remove



贴纸
Decal



锉平
File / Sand



选择
Option



不涂胶水
No cement



弯曲
Bend



先装
Install it first

水贴纸的使用:

- 1.从水贴纸上剪下印花;
- 2.将印花放入温水中浸10秒，然后放在干净布上。
- 3.拿着印花纸板将印花移到模型上;
- 4.手指蘸水将印花移到适当的位置;
- 5.用软布轻压印花直至水干，气泡消失

DECAL APPLICATION

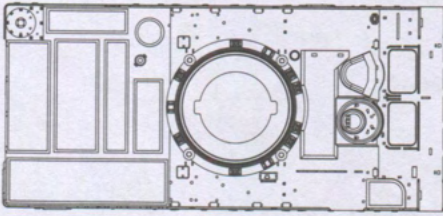
- 1.Cut decals from sheet as needed
- 2.Dip the decal in warm water for about 10 seconds and then place on soft clean cloth.
- 3.Hold the decal backing sheet edge and gently slide the decal onto the model in its proper position.
- 4.While still wet,decal can be adjusted for better fit on model by dampening it gently with your finger.
- 5.When placed in the proper position,gently press decal down with a soft cloth until excess water and air bubbles are gone.
- 6.Allow decal to dry completely before handling model

09571

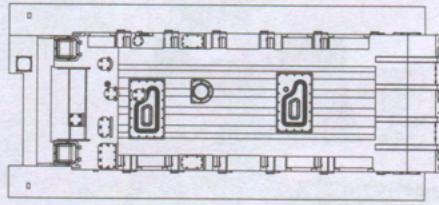
1

部品图
Parts

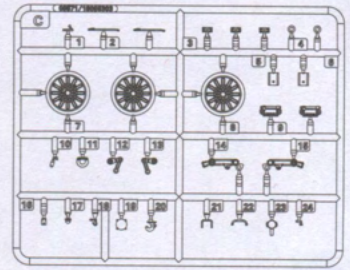
《车面》
Upper hull



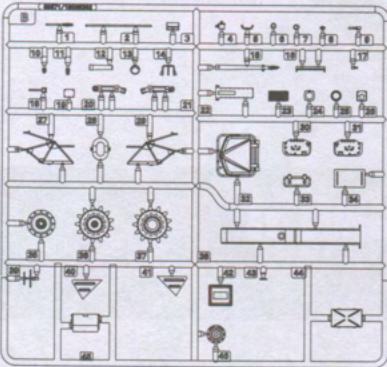
《车底》
Lower hull



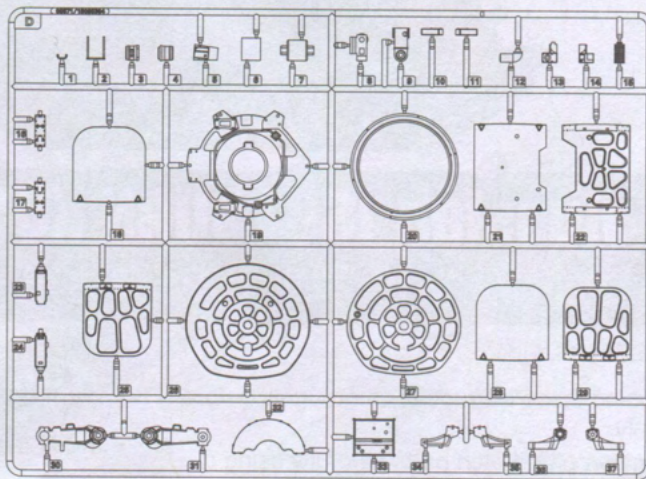
Cx4



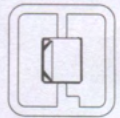
Bx2



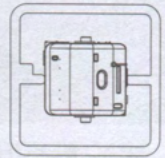
D



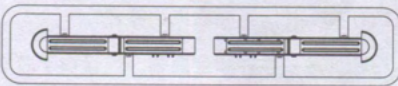
F1



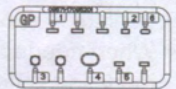
F2



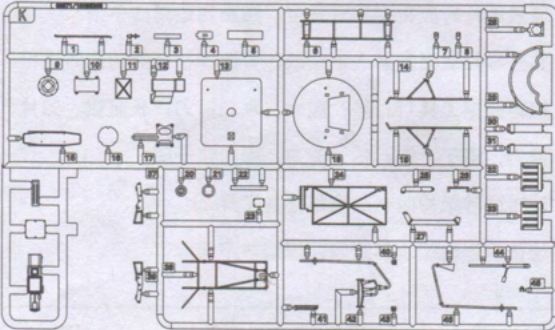
J41 J42



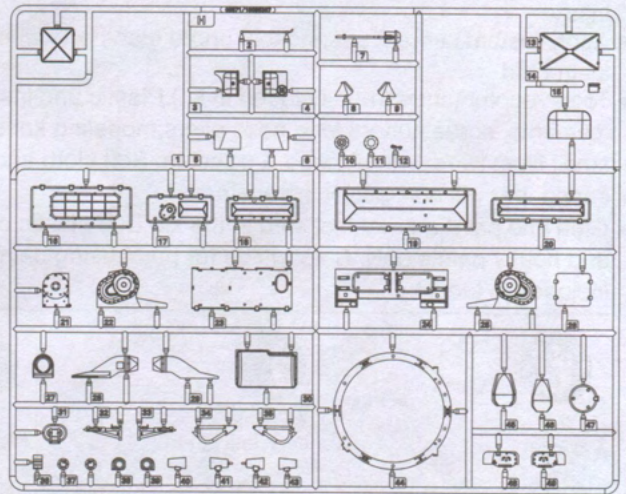
GP



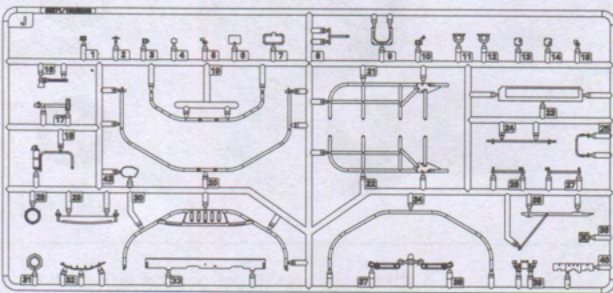
K



H



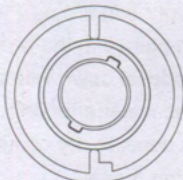
J



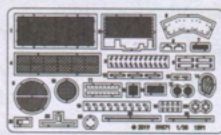
F3



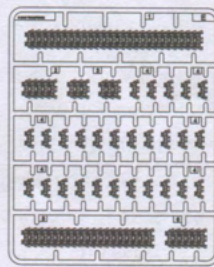
F4



PE



Ex2

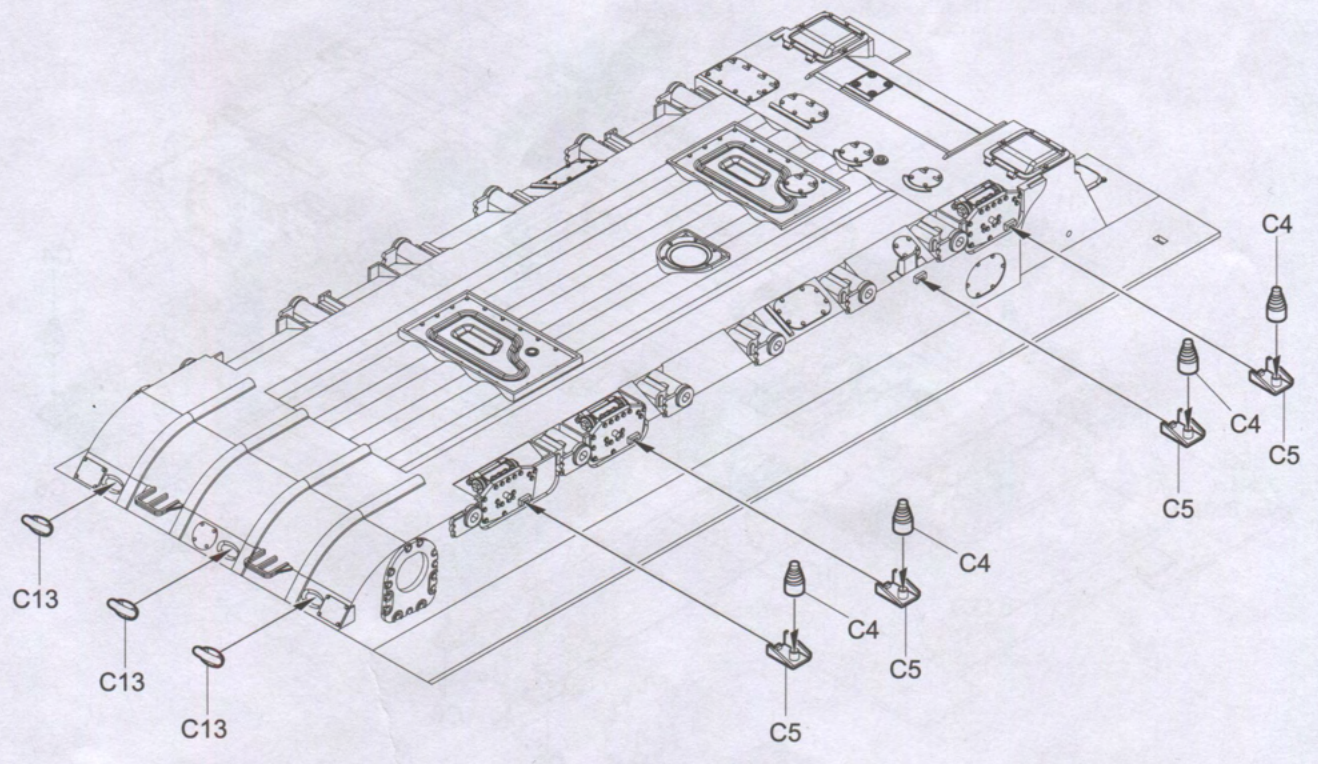
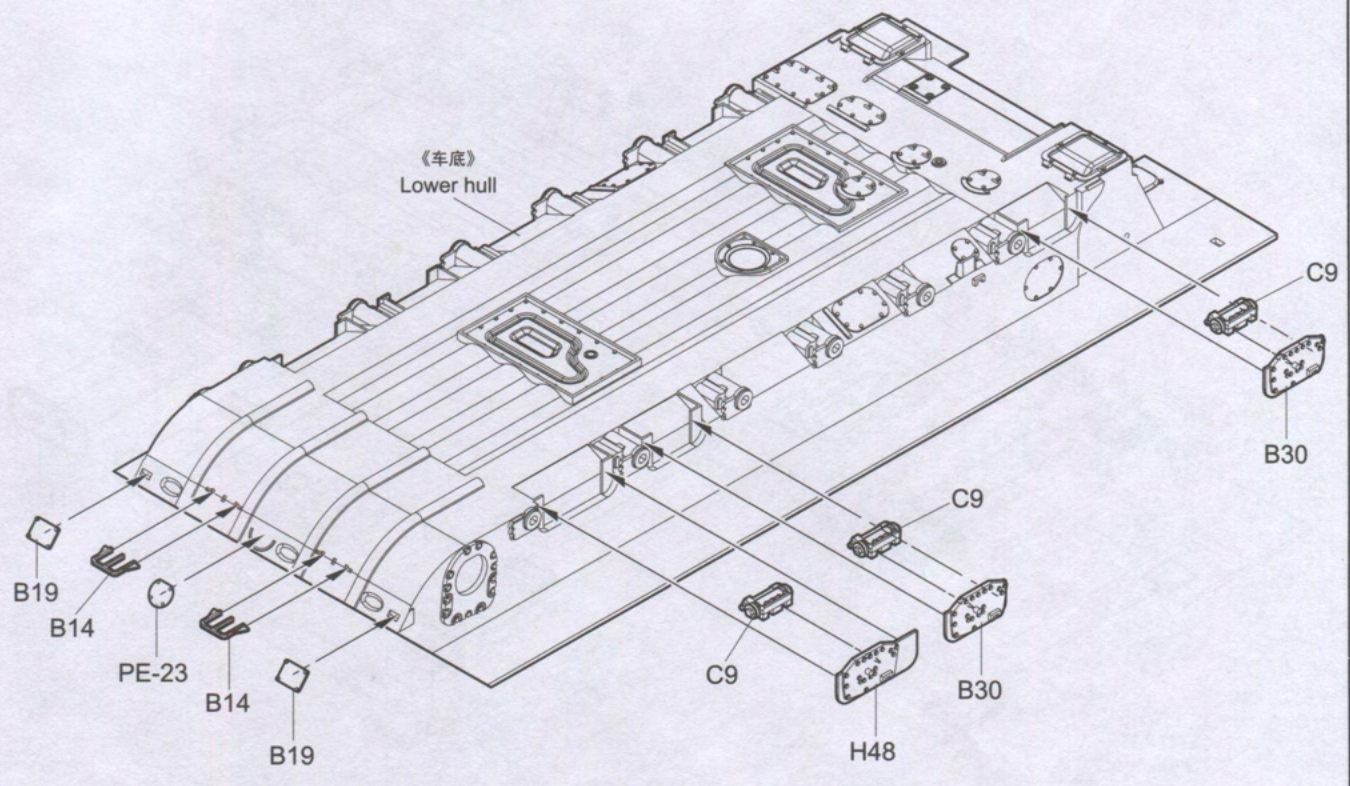


《水贴》
Decal

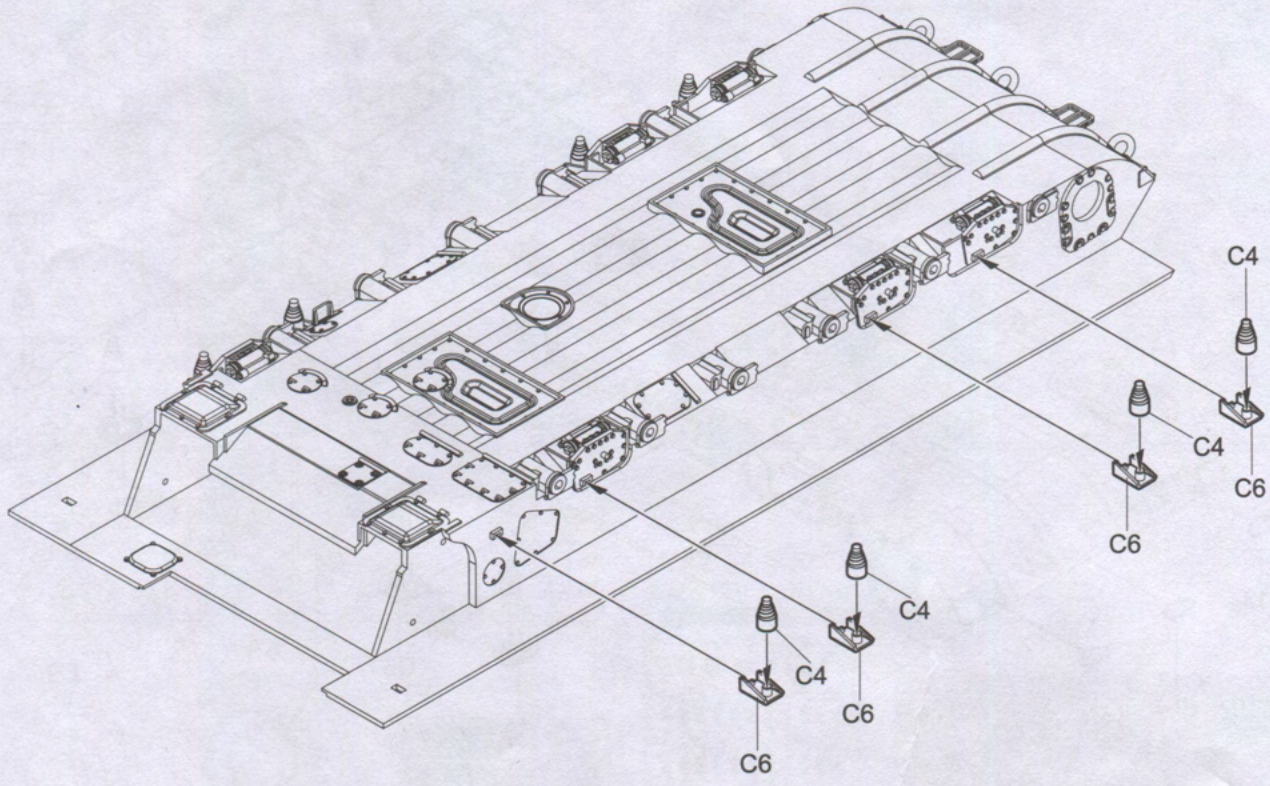
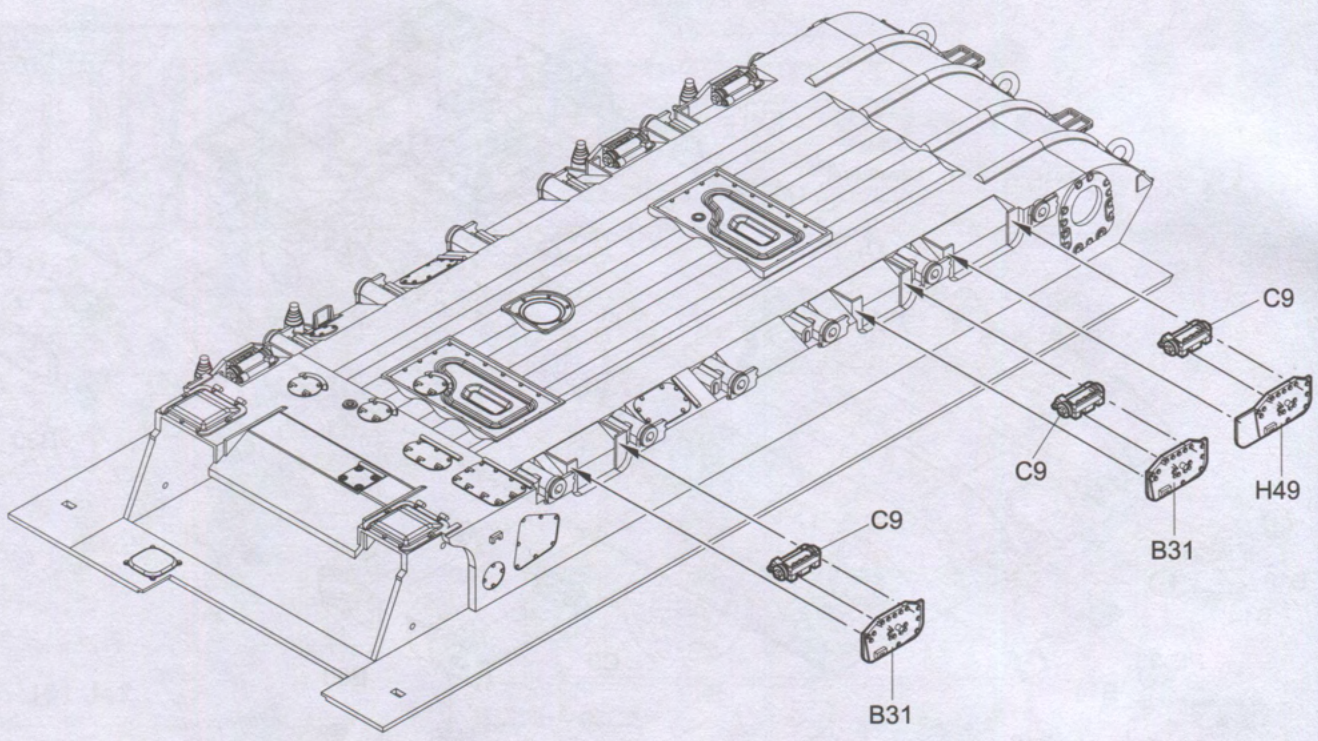


1

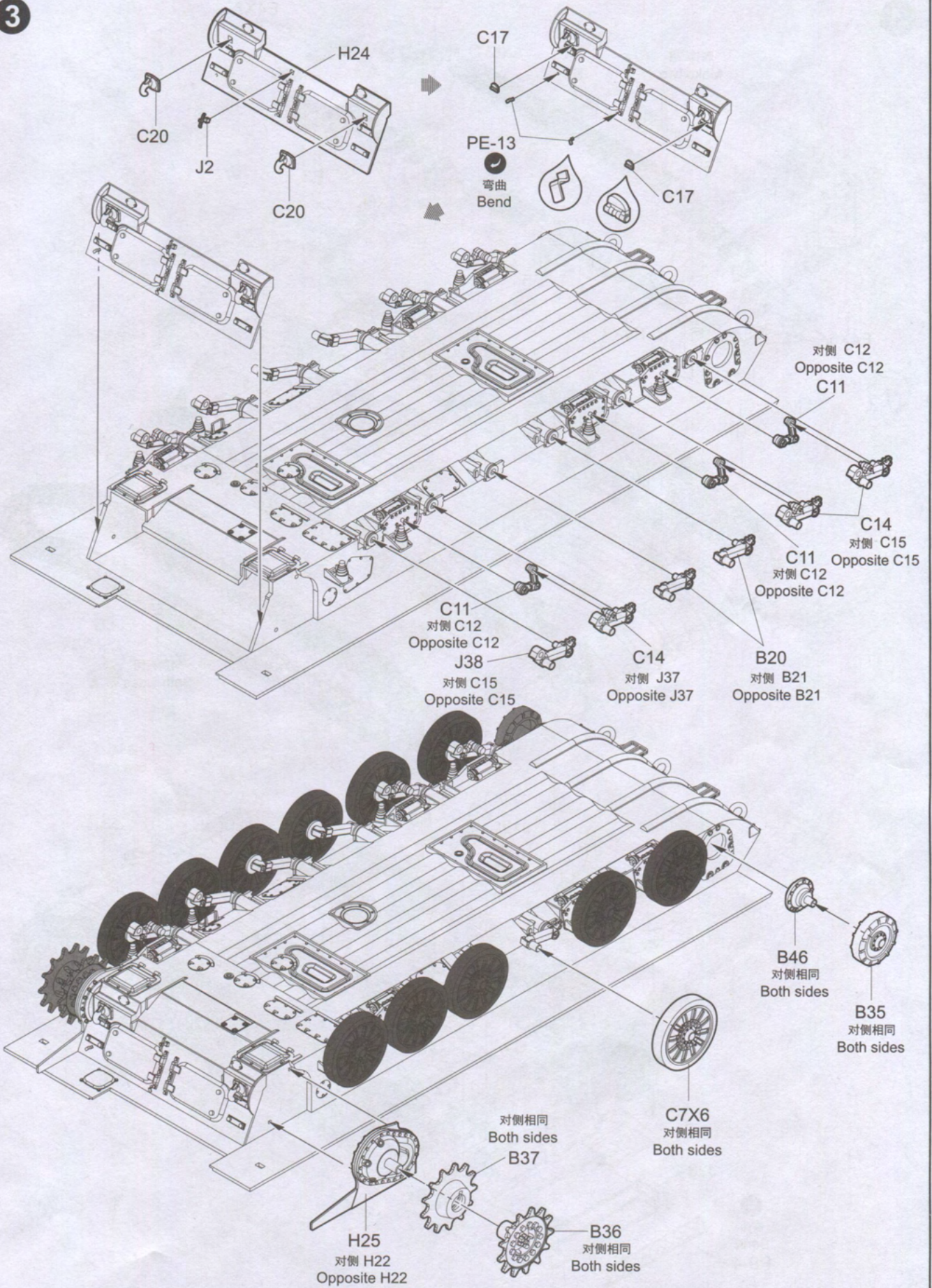
《车底》
Lower hull



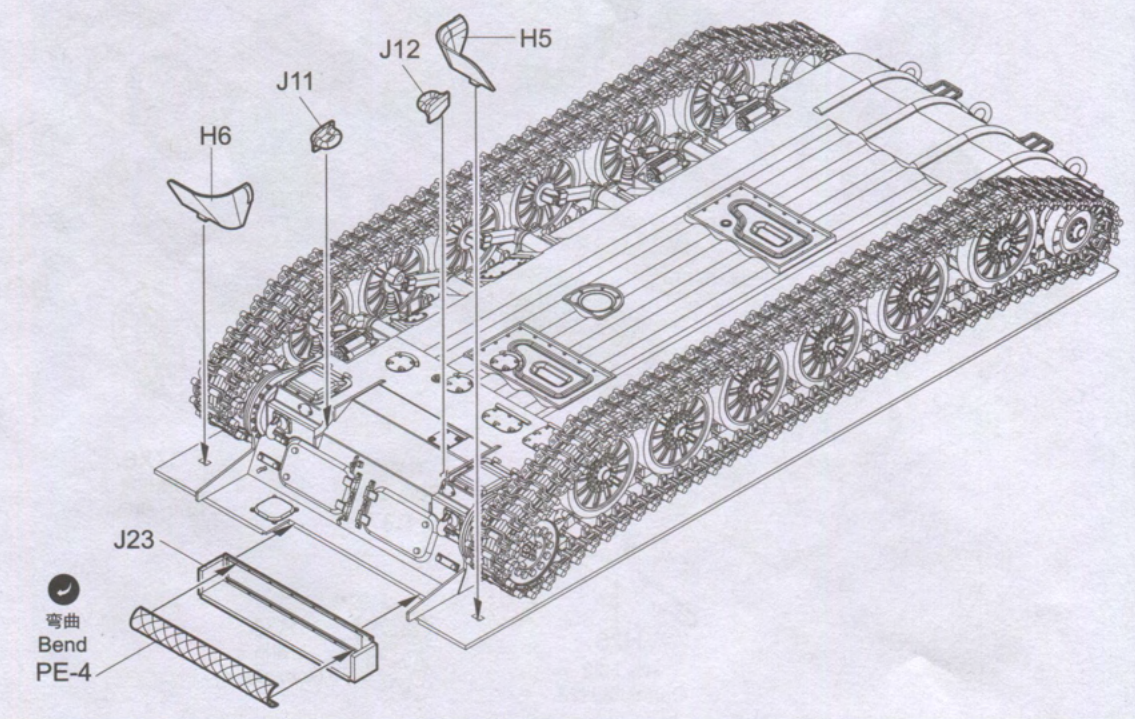
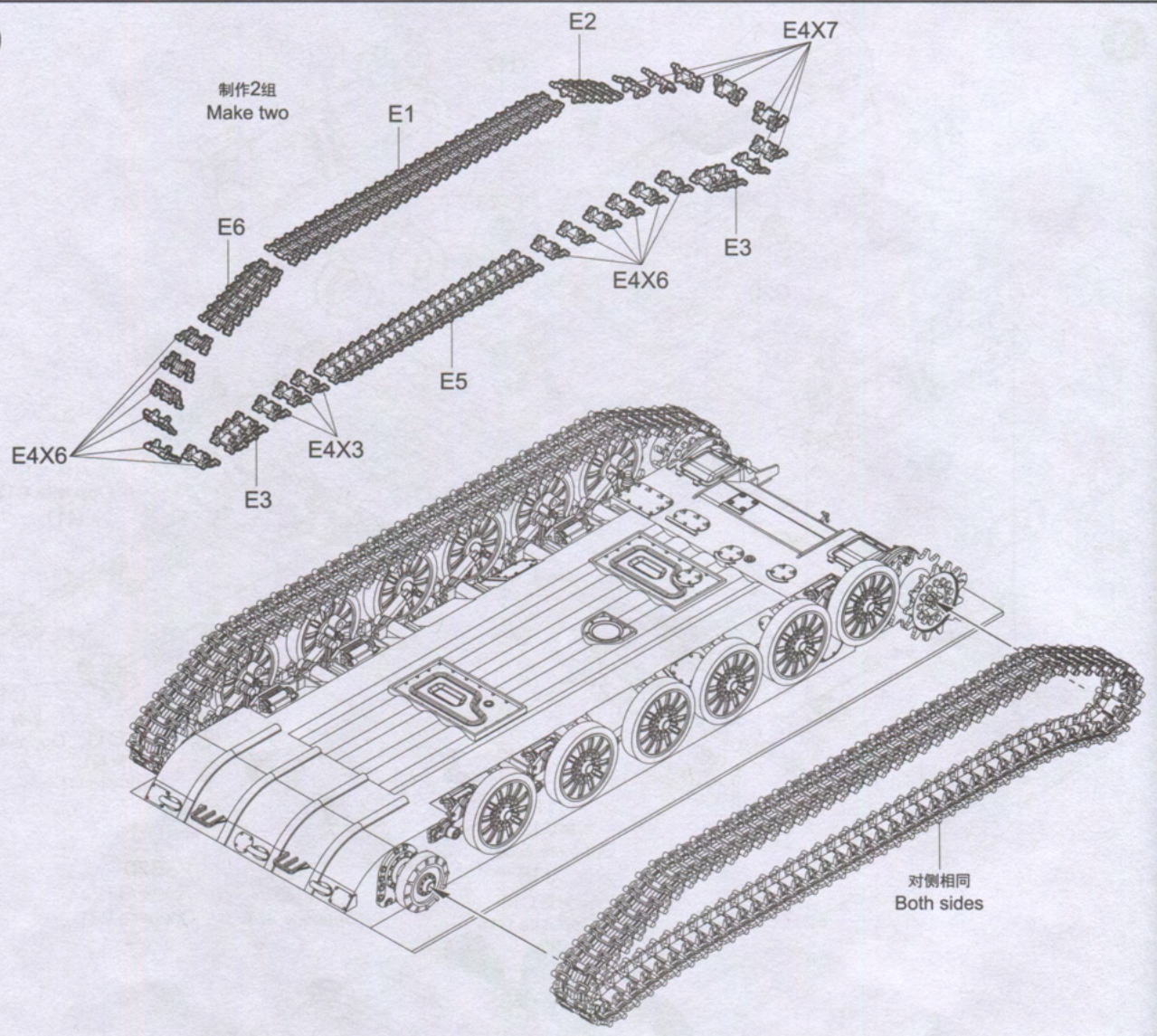
2



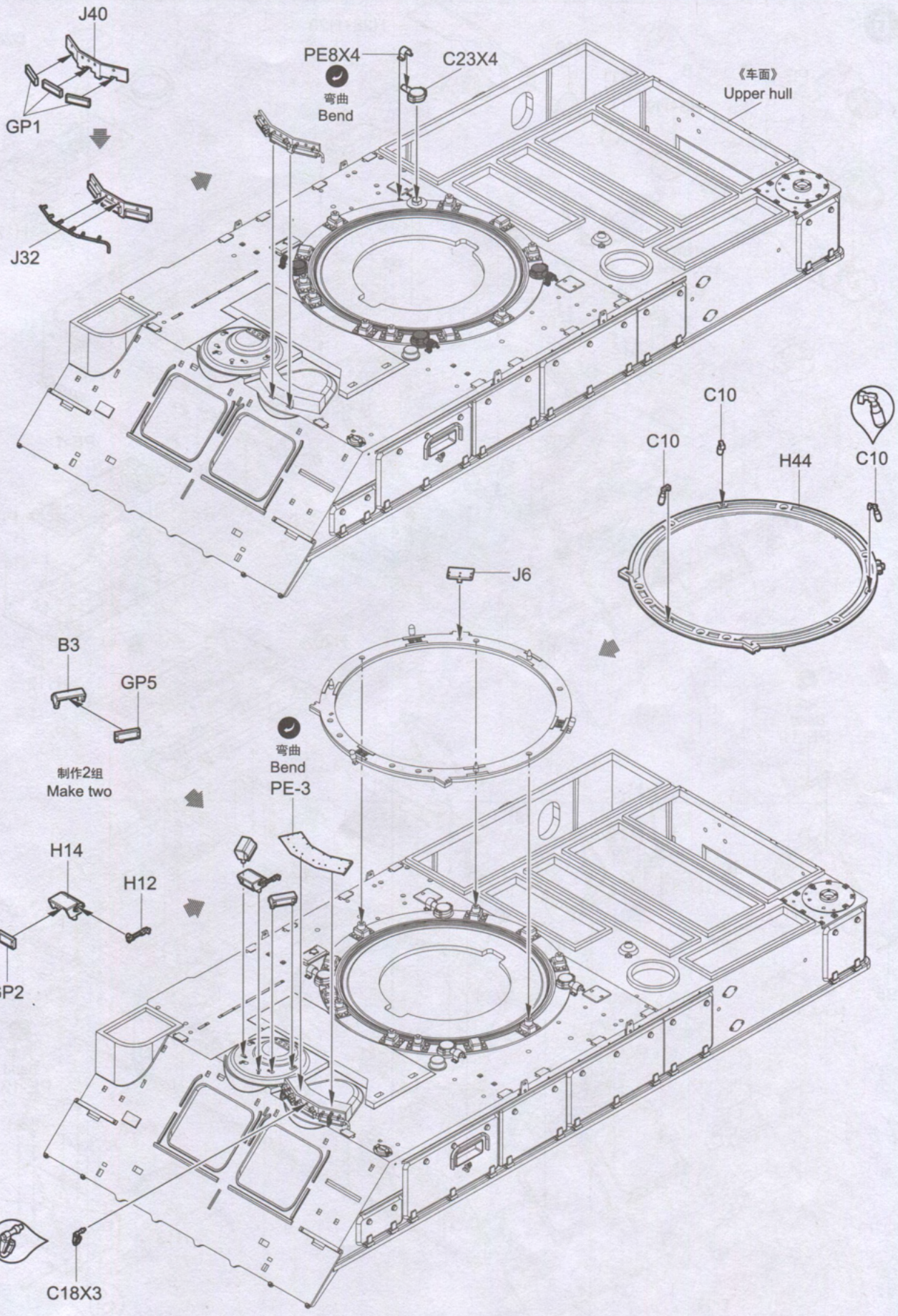
3



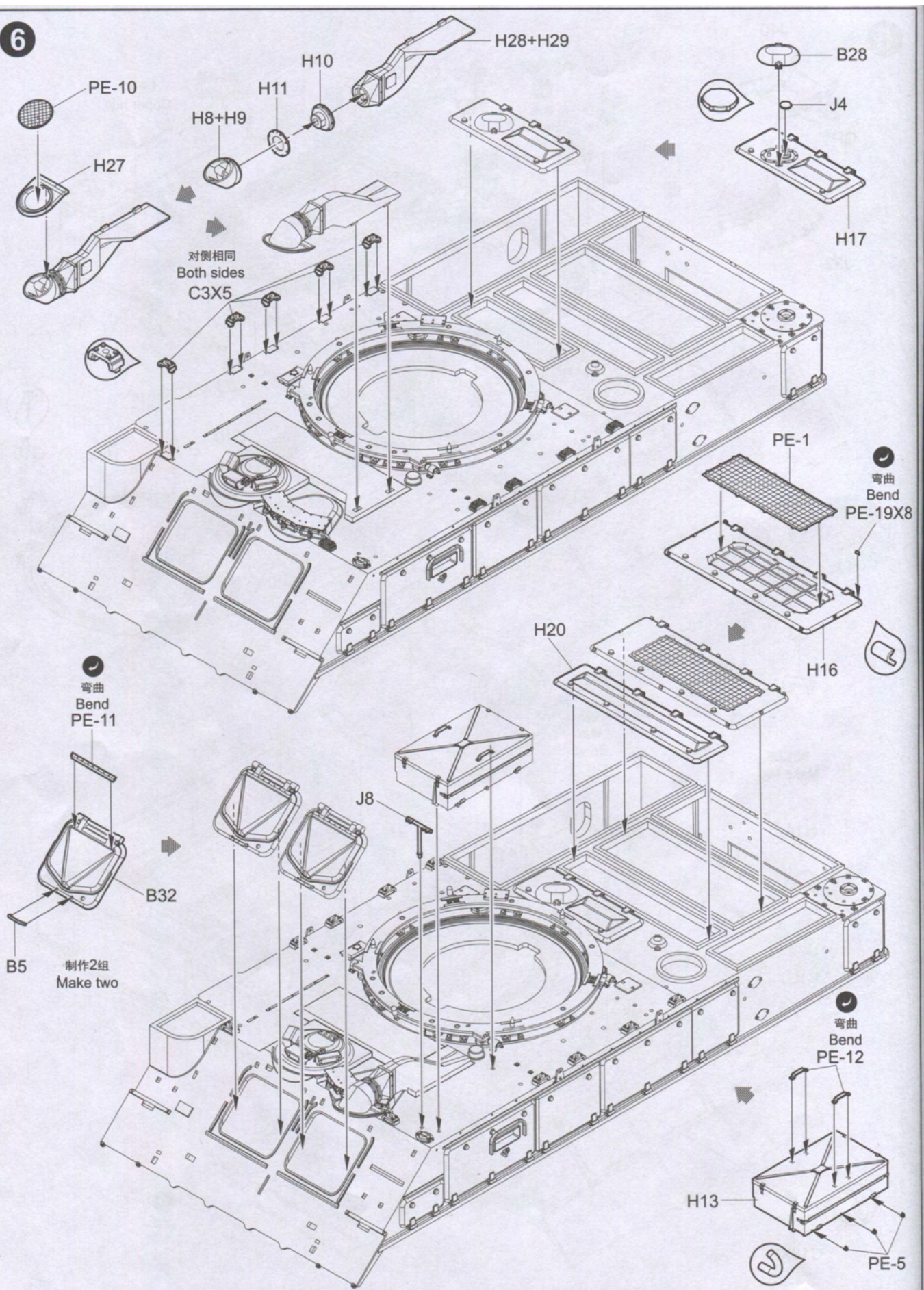
4



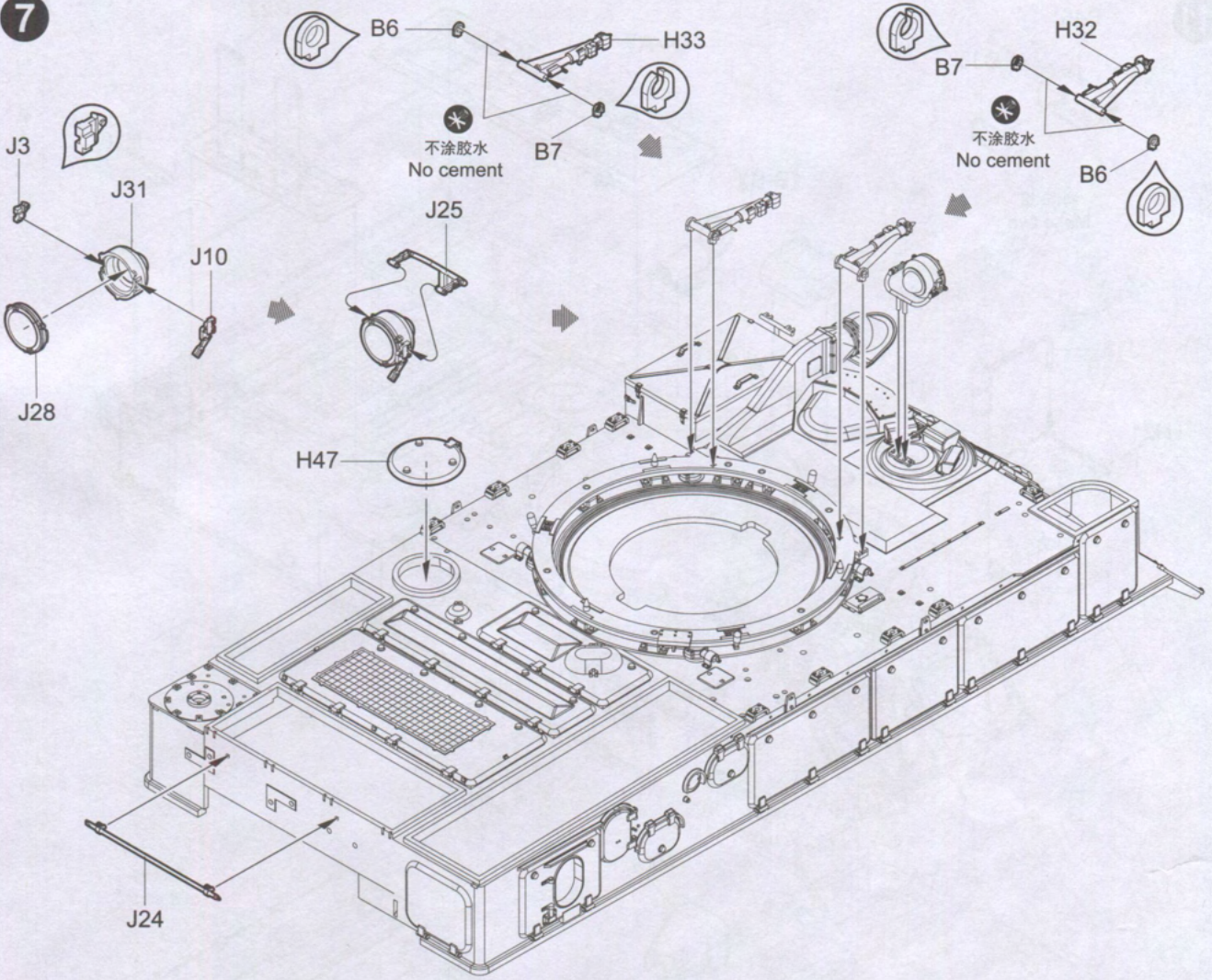
5



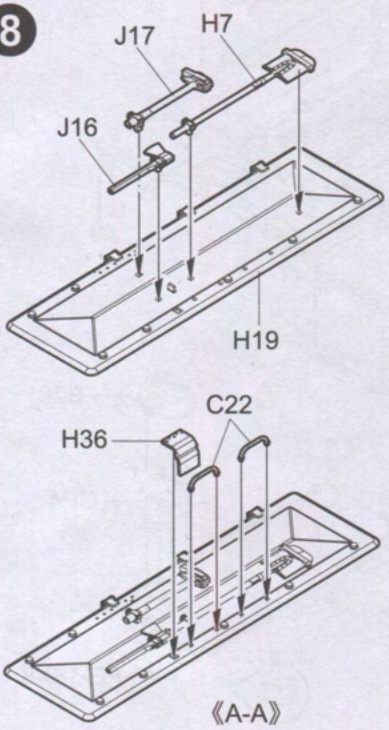
6



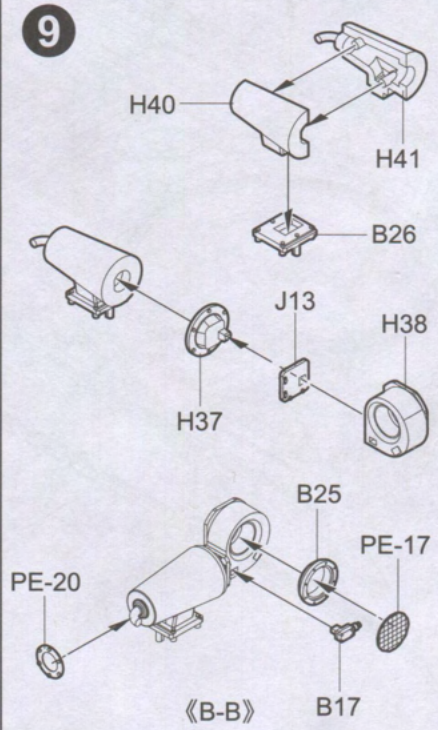
7



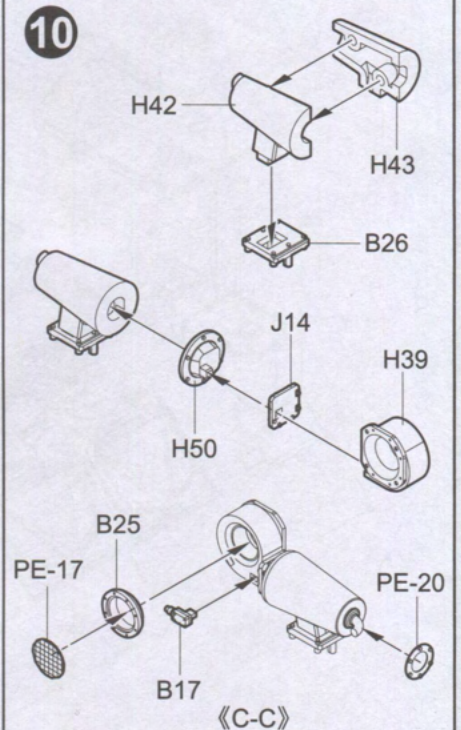
8



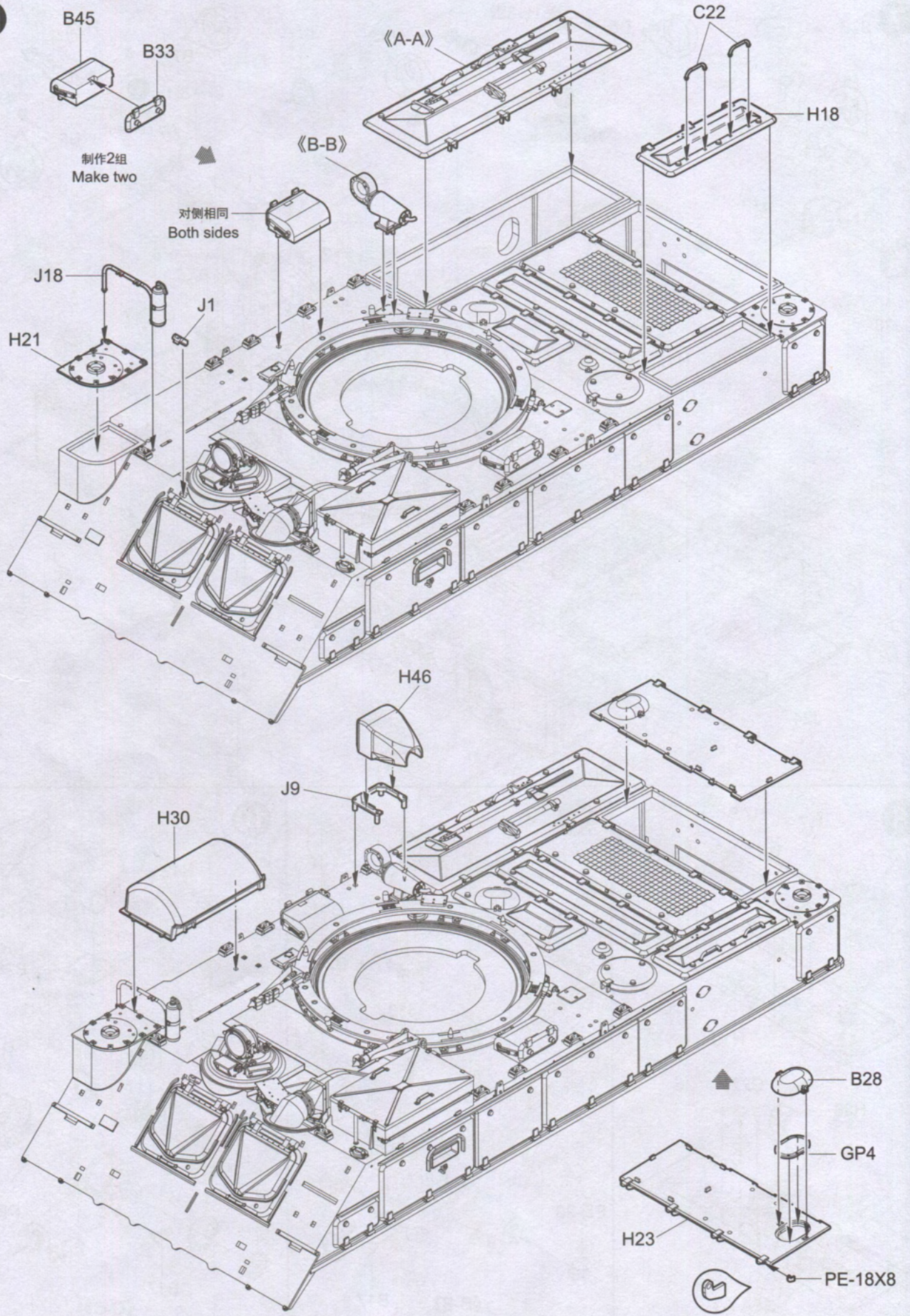
9



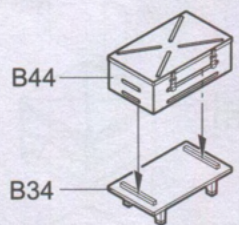
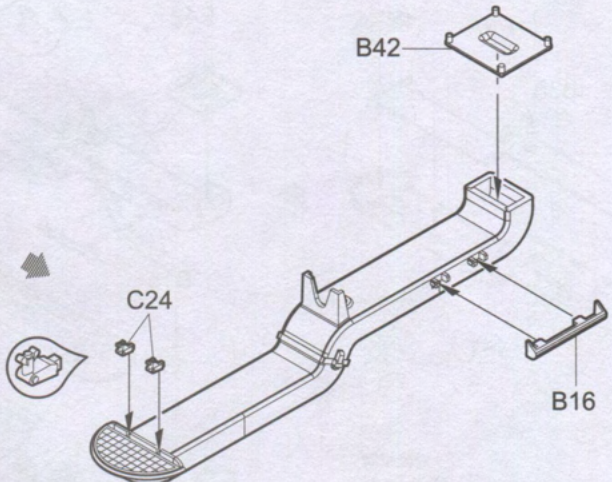
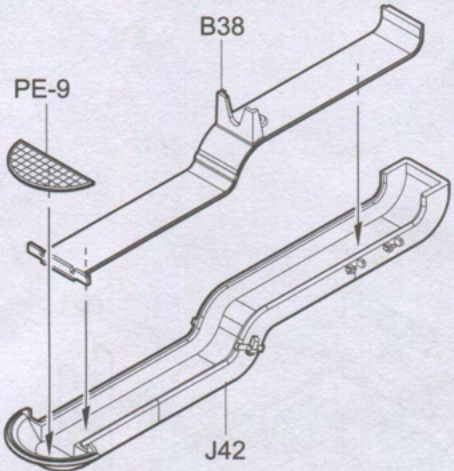
10



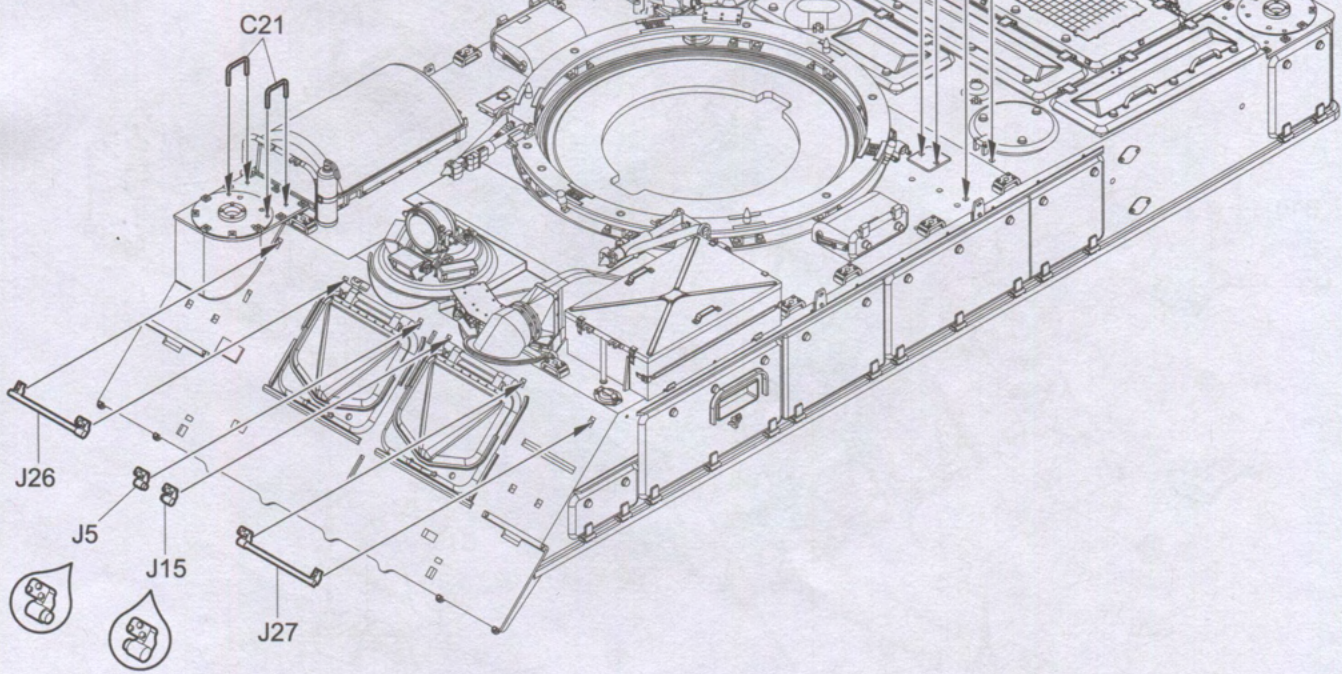
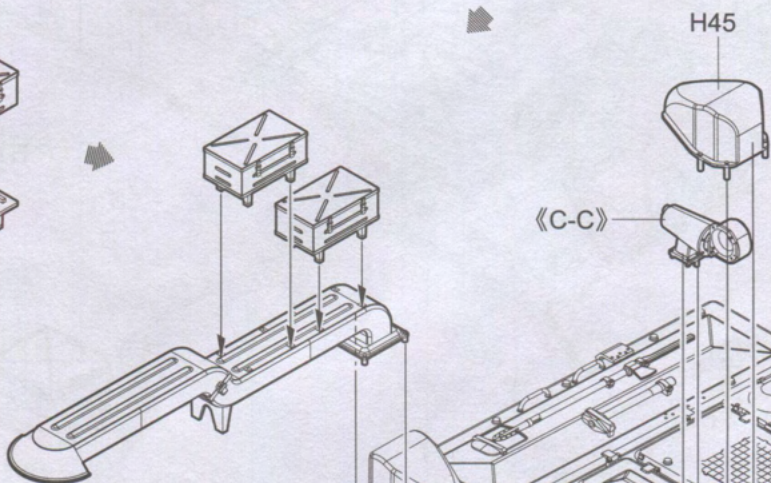
11



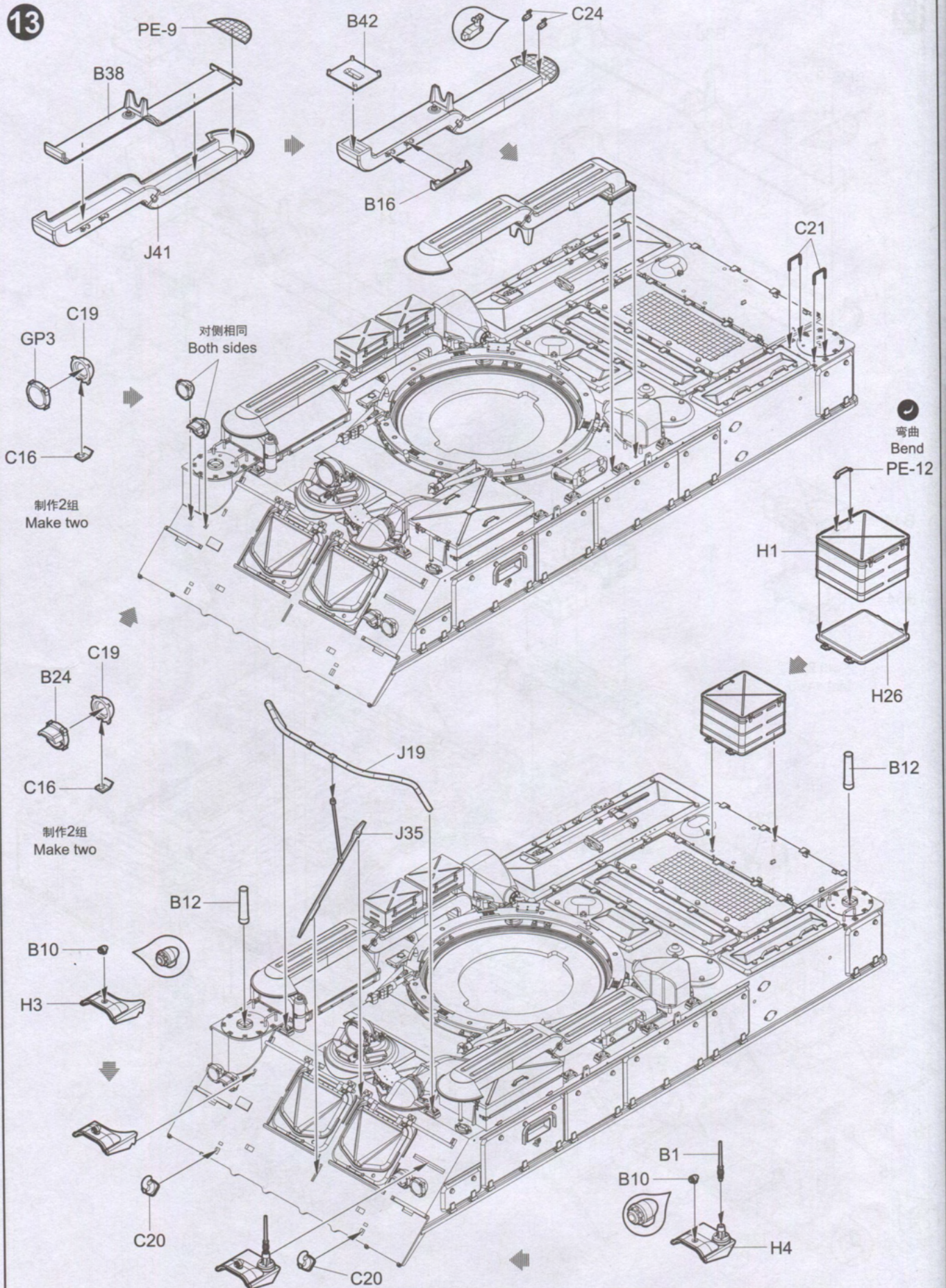
12



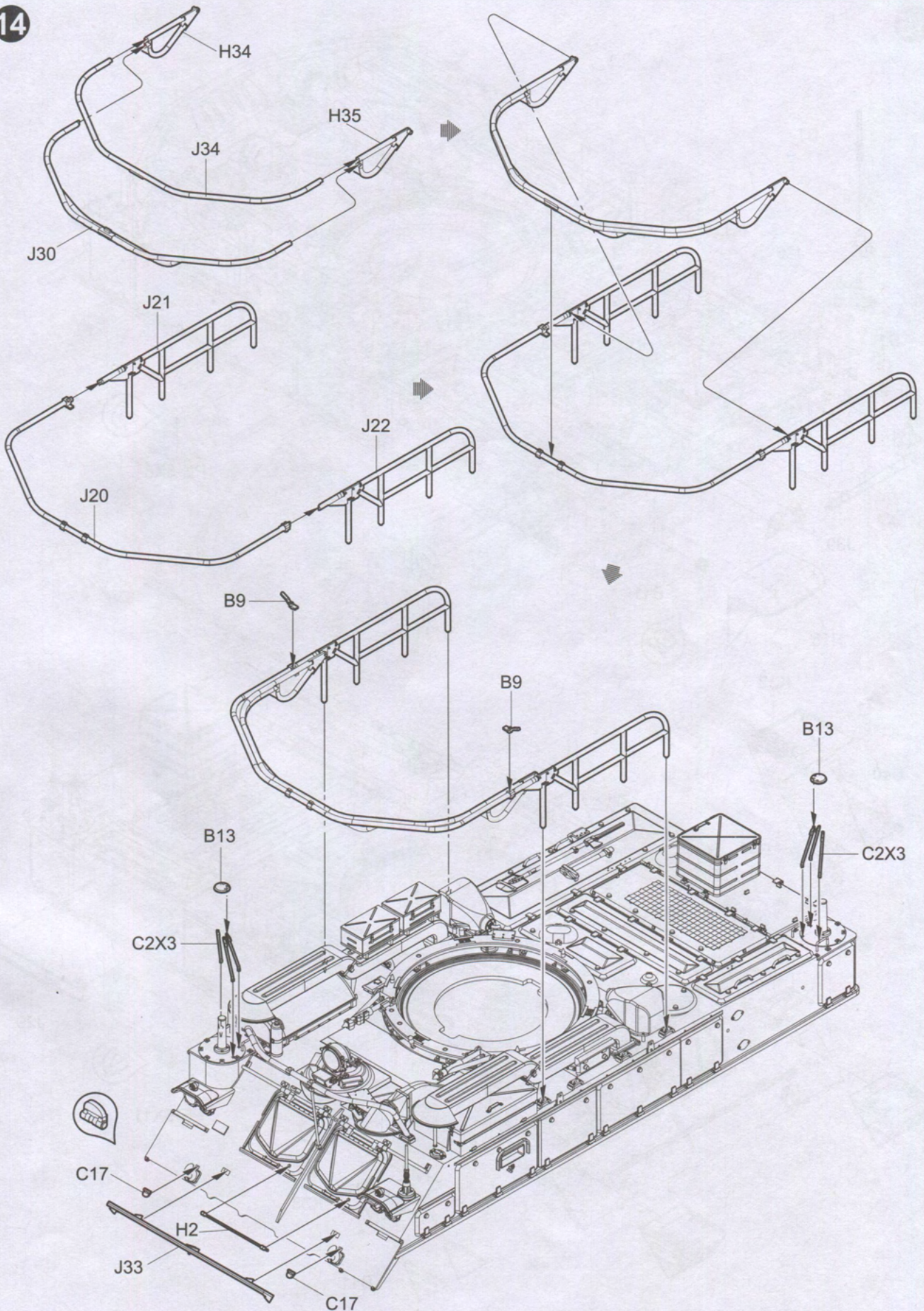
制作2组
Make two



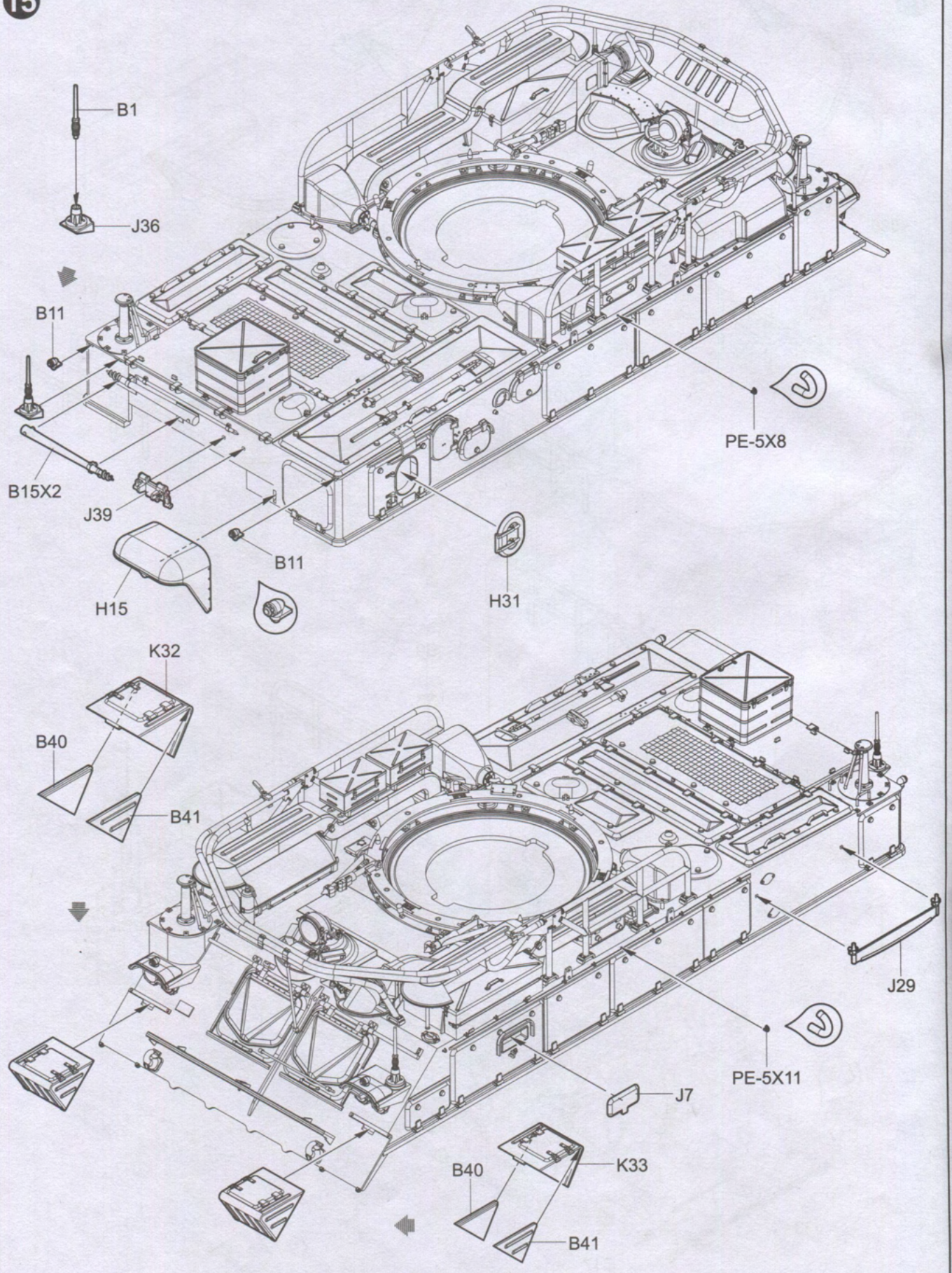
13



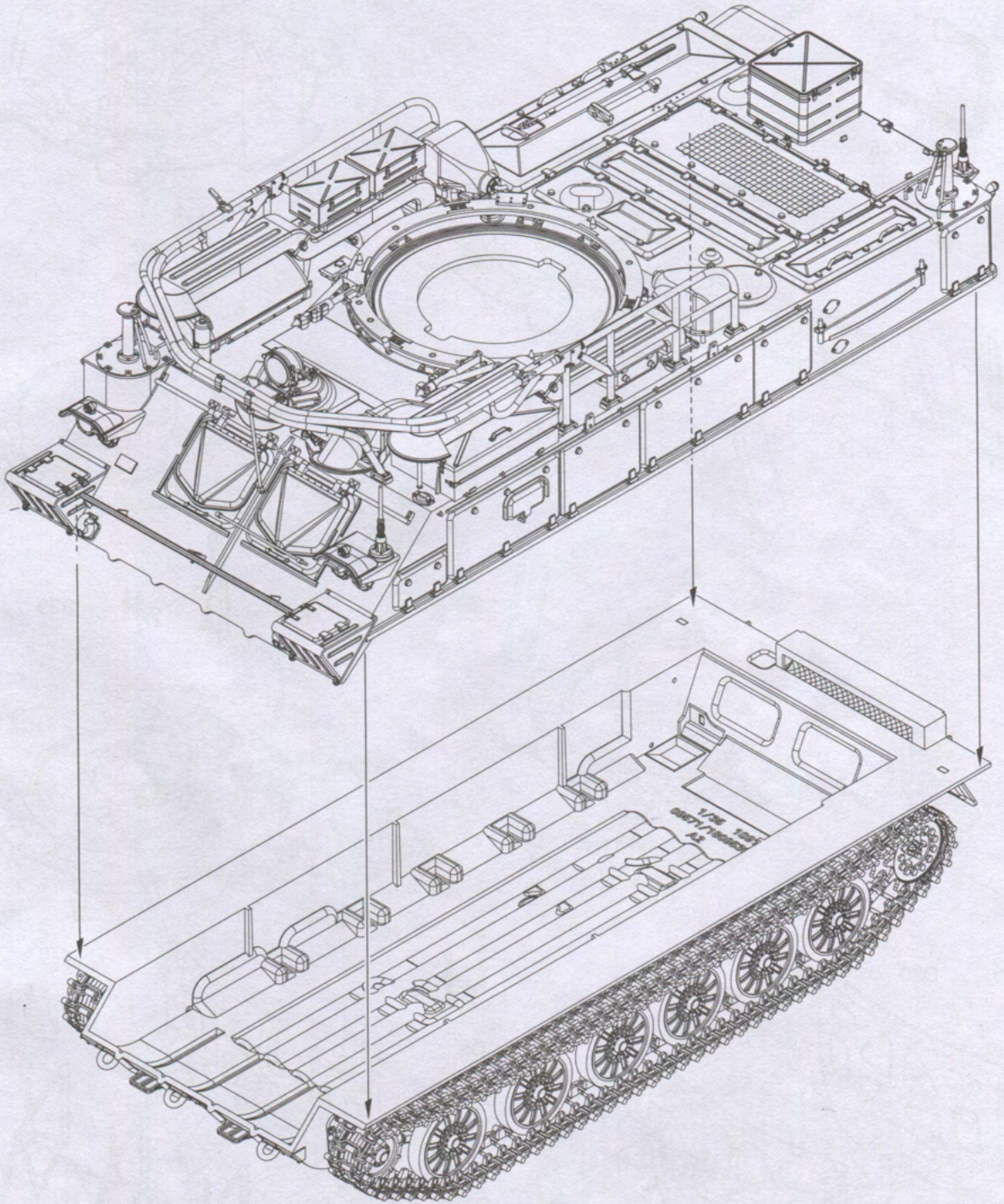
14



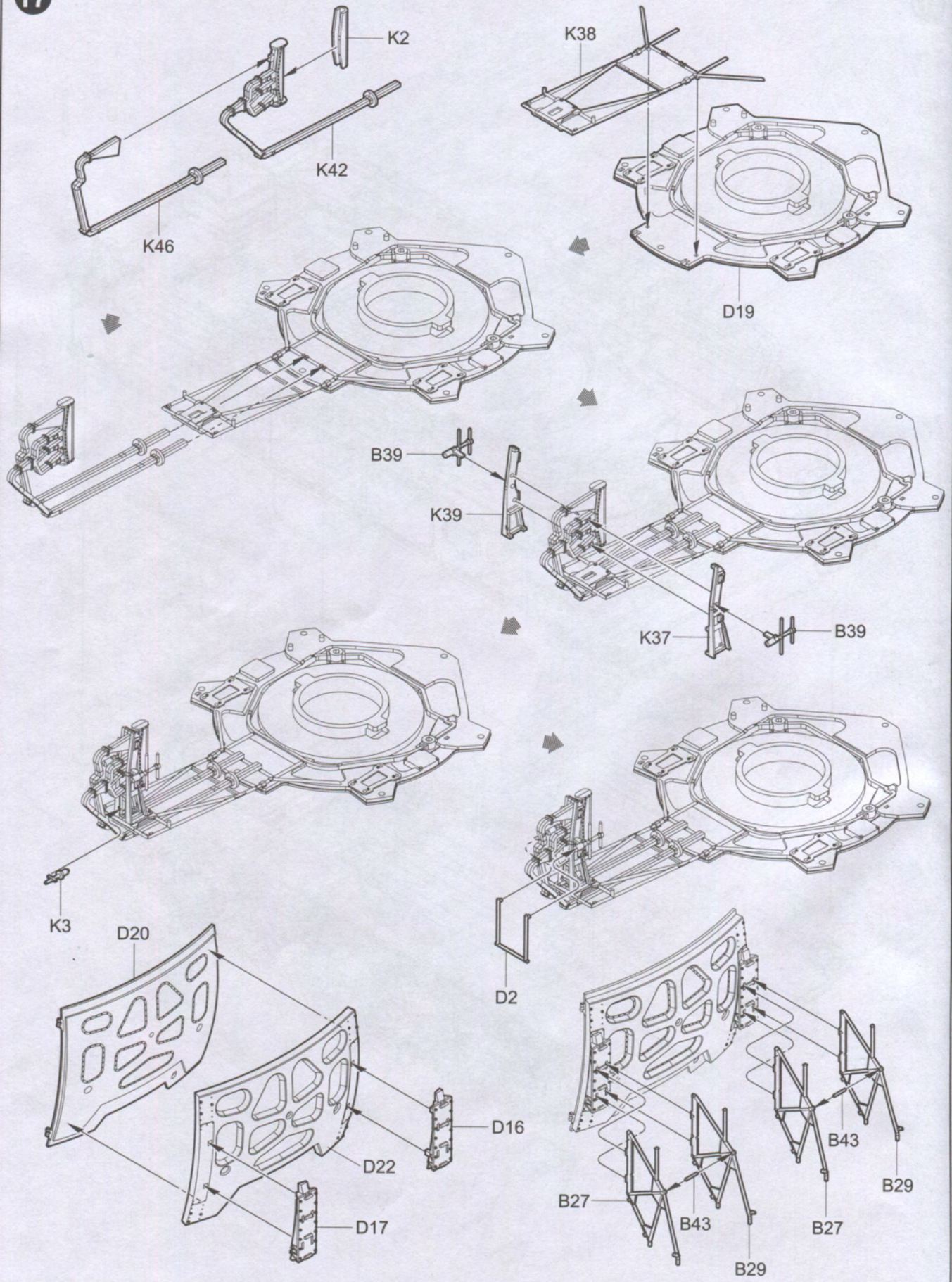
15

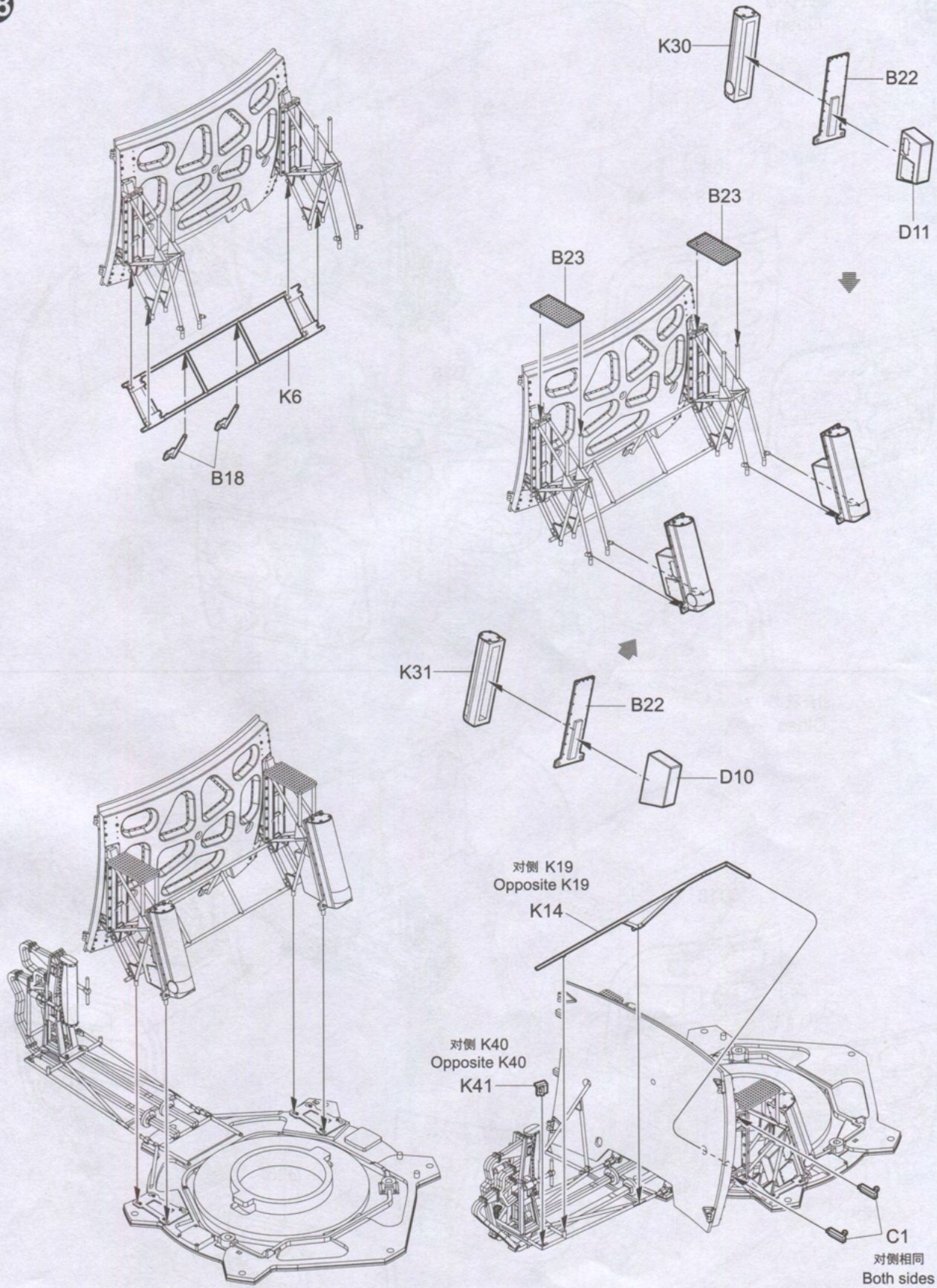


16



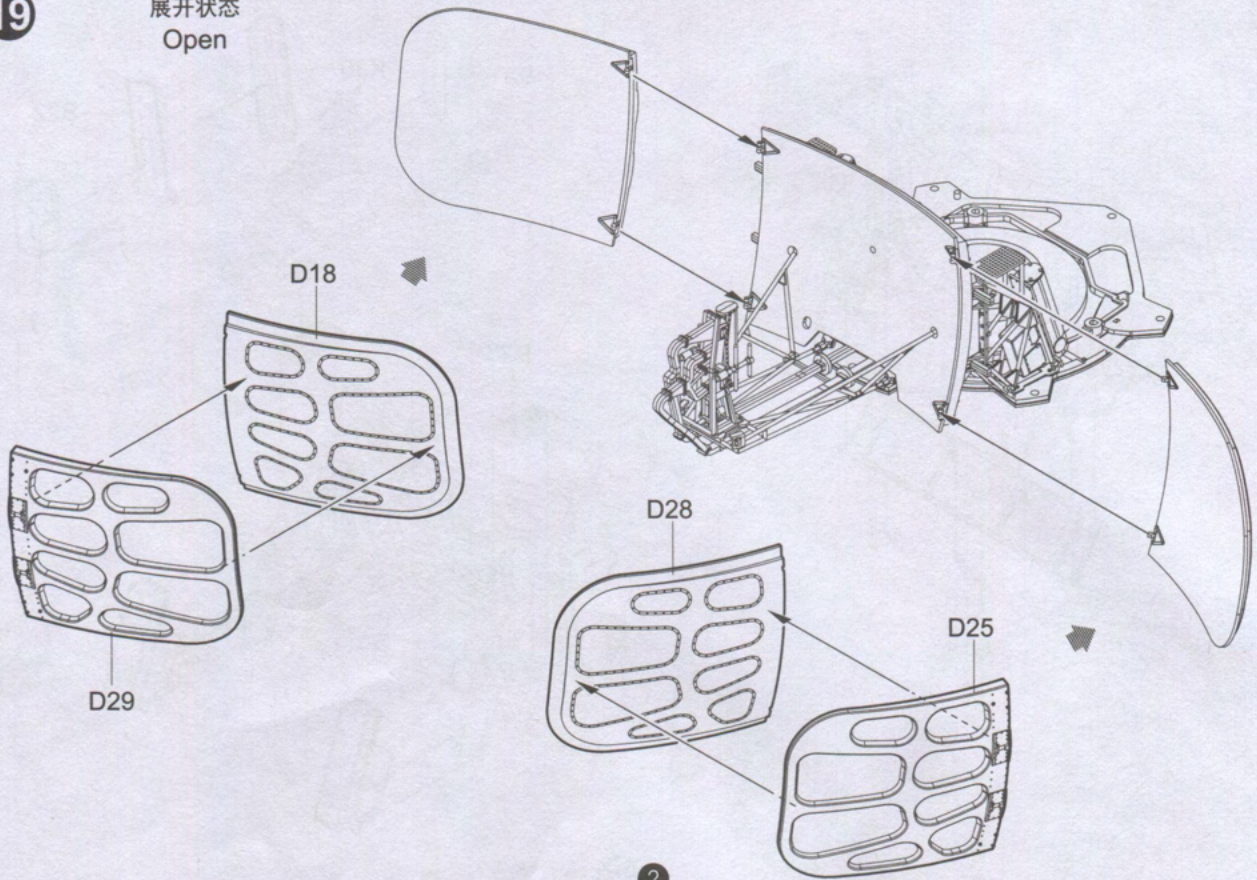
17





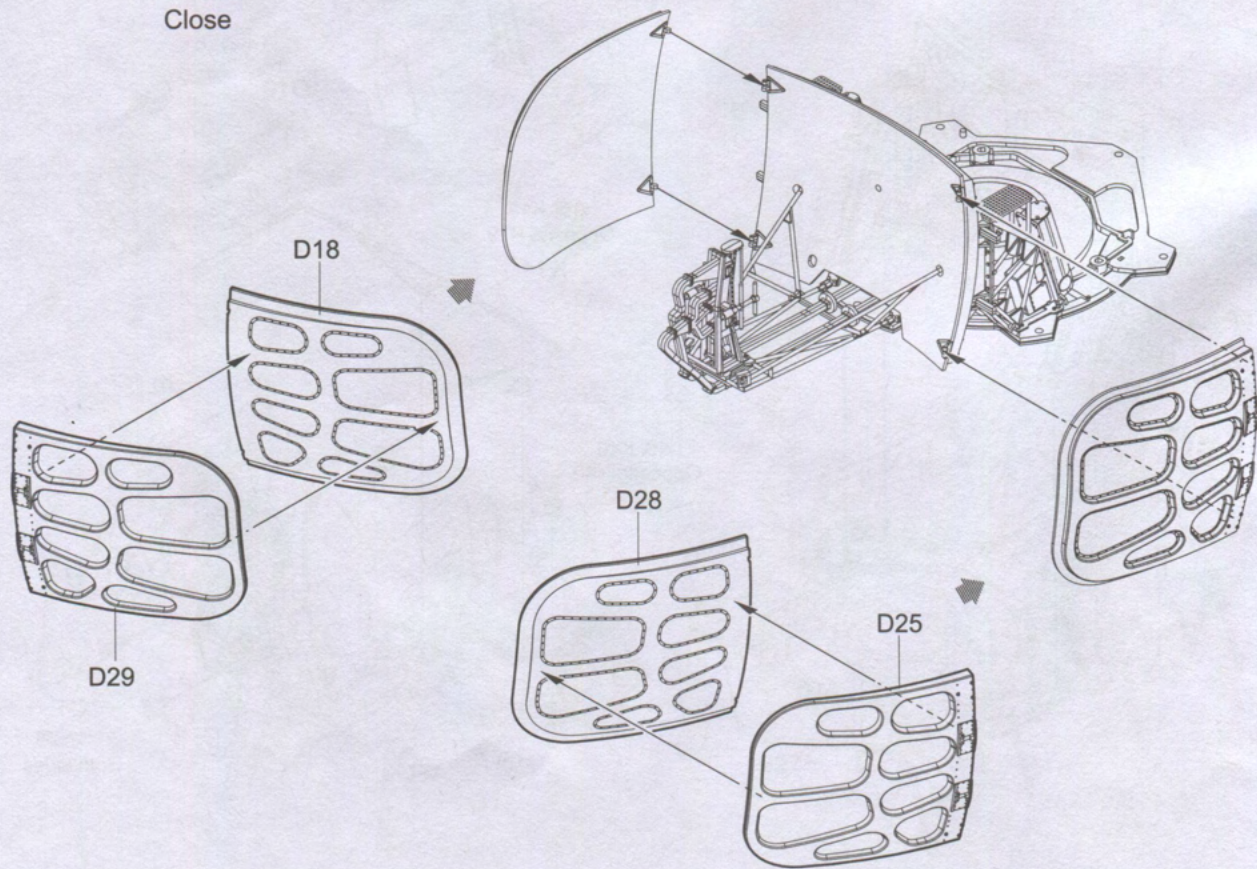
19

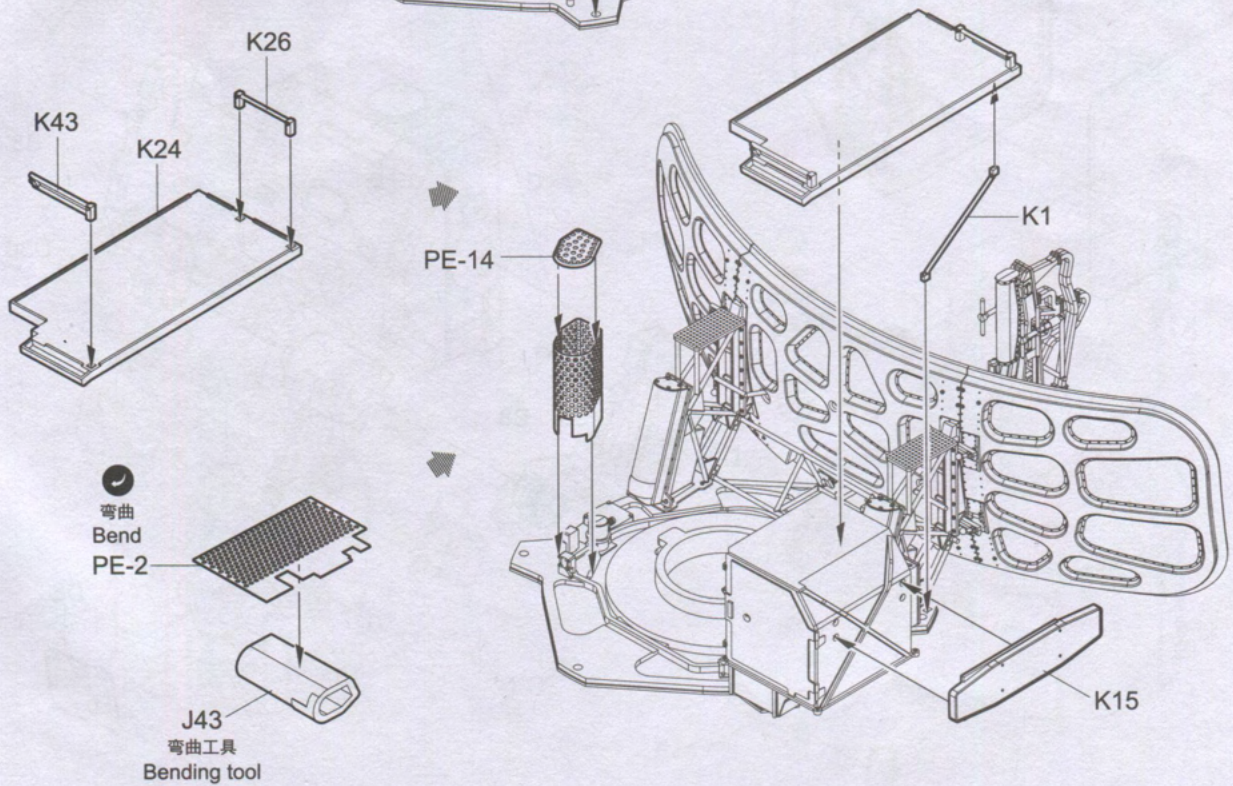
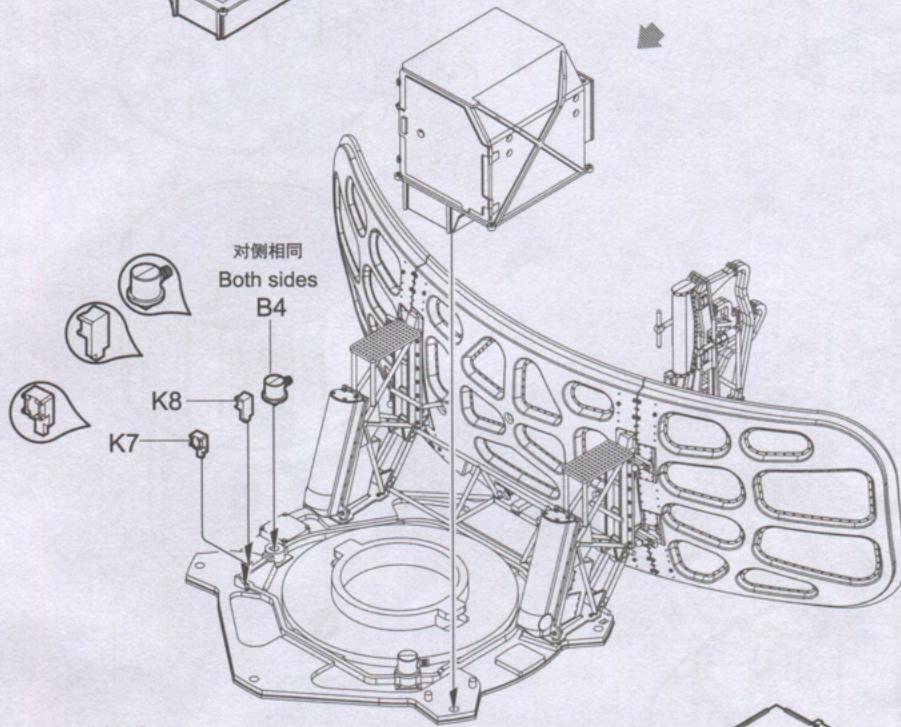
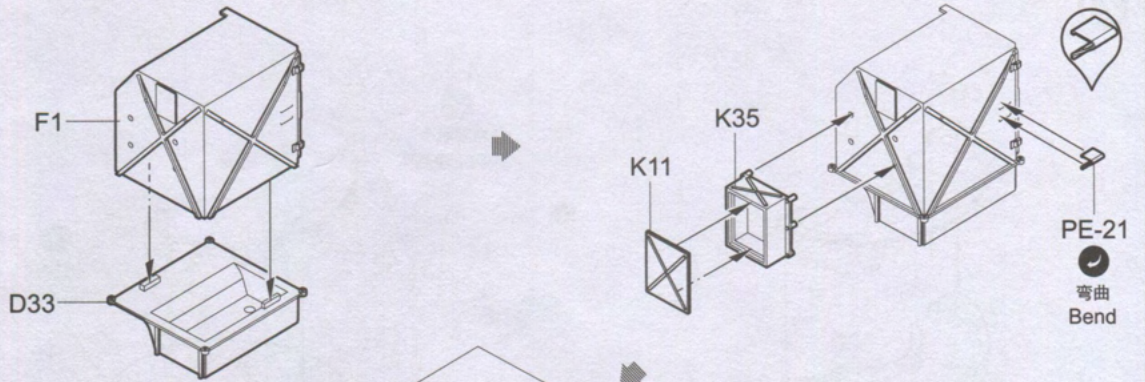
展开状态
Open

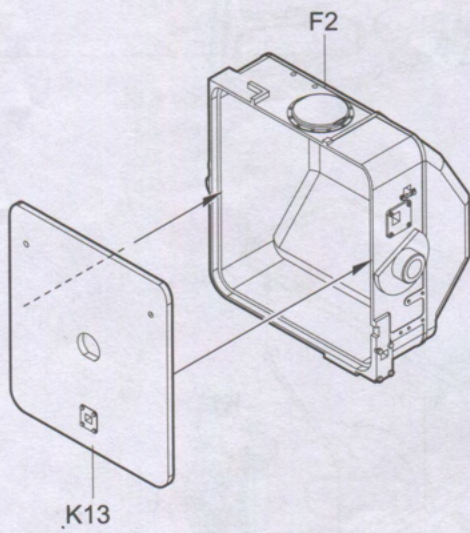
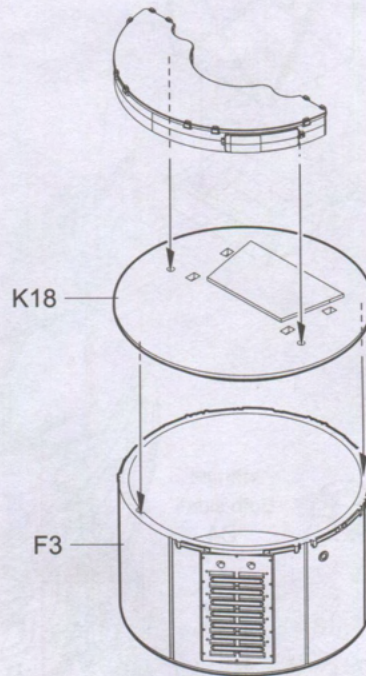
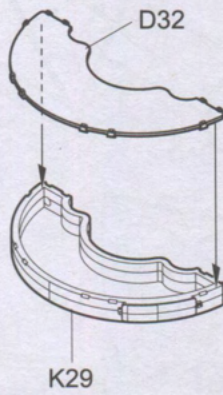


选择
Option

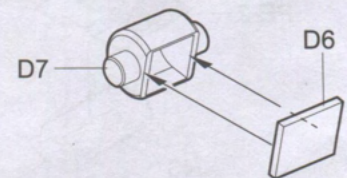
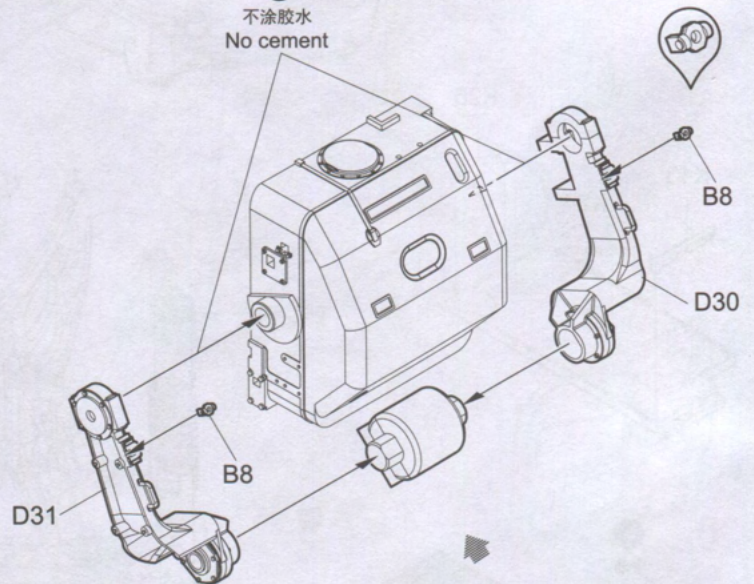
闭合状态
Close

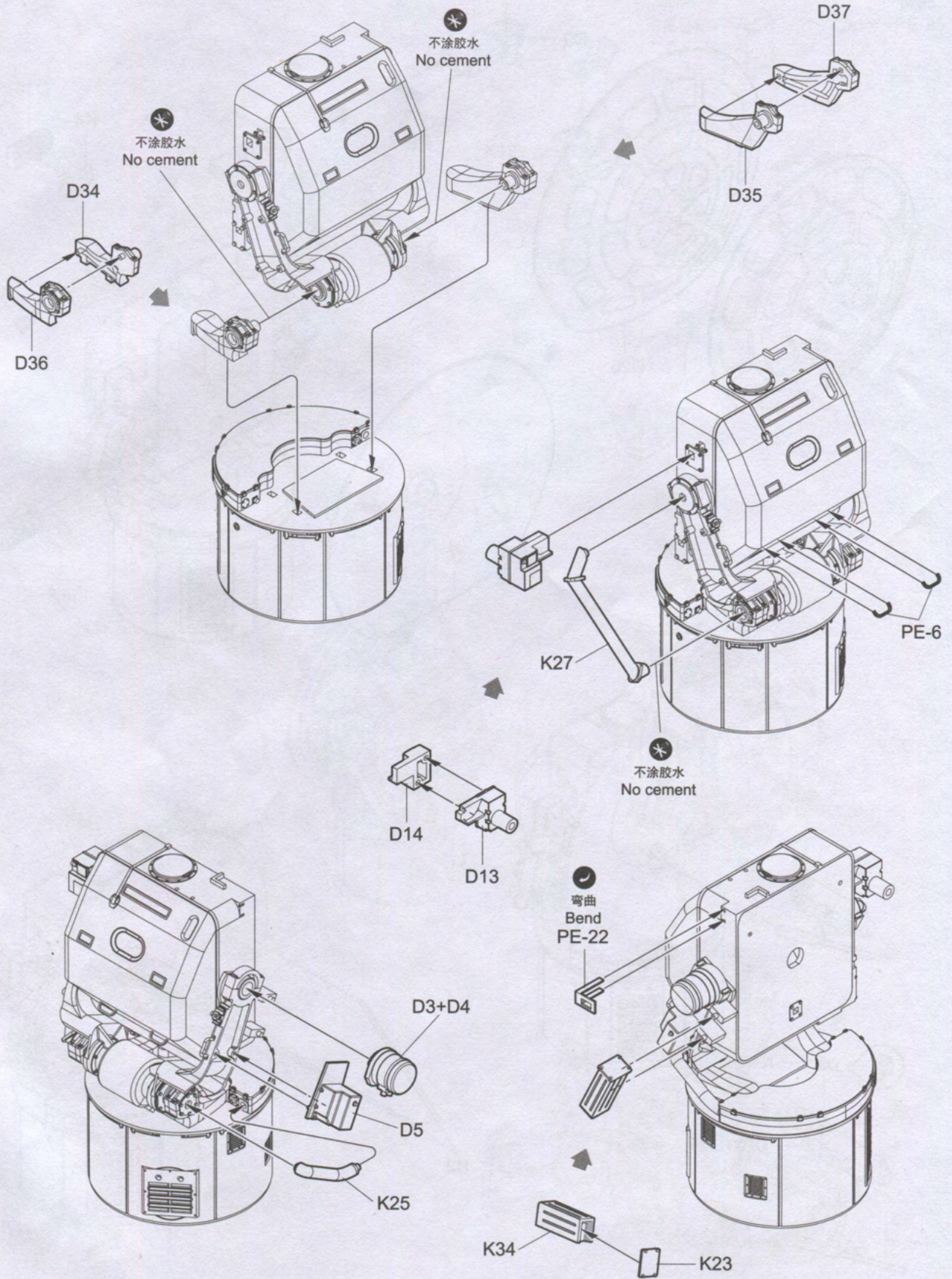


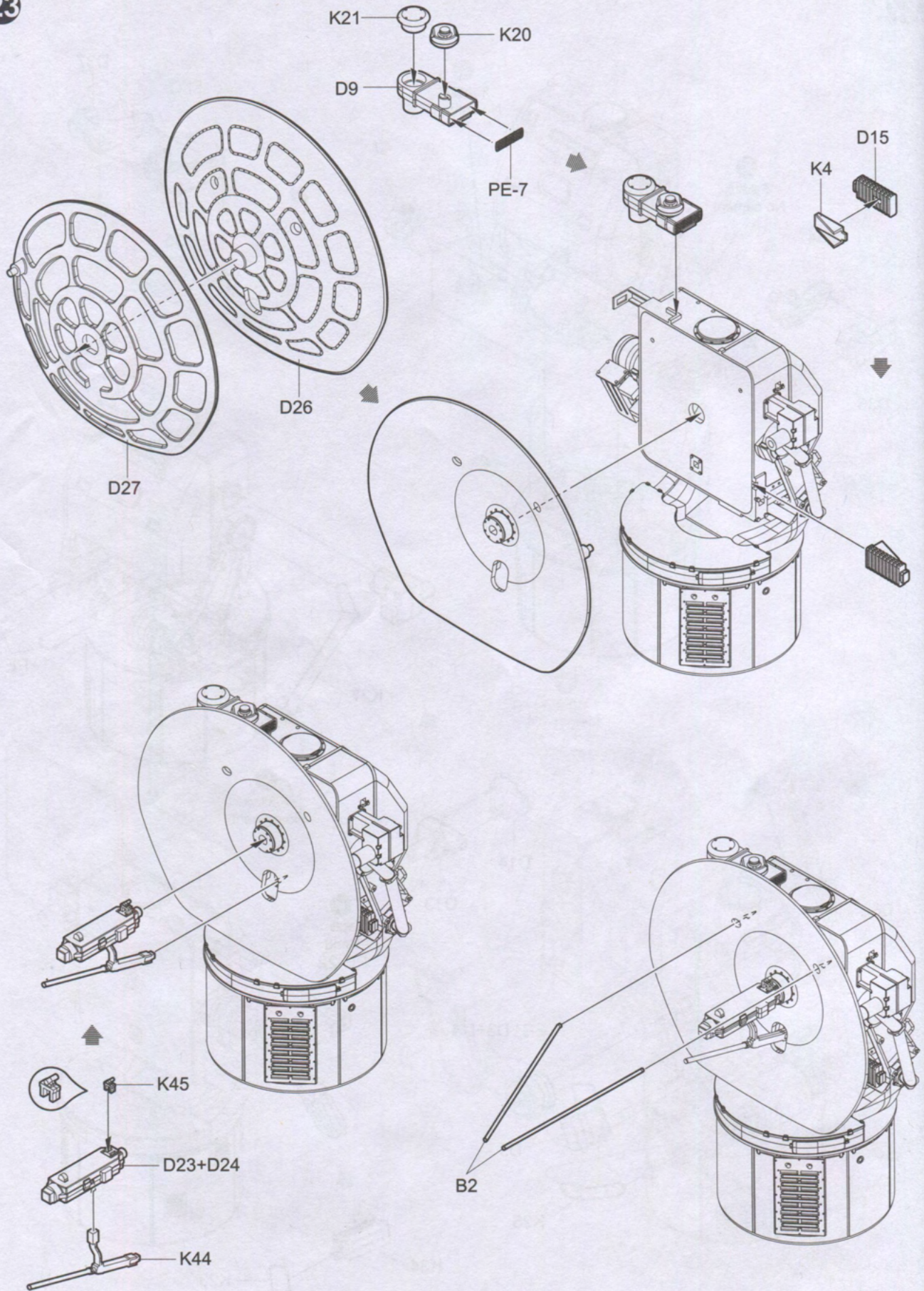


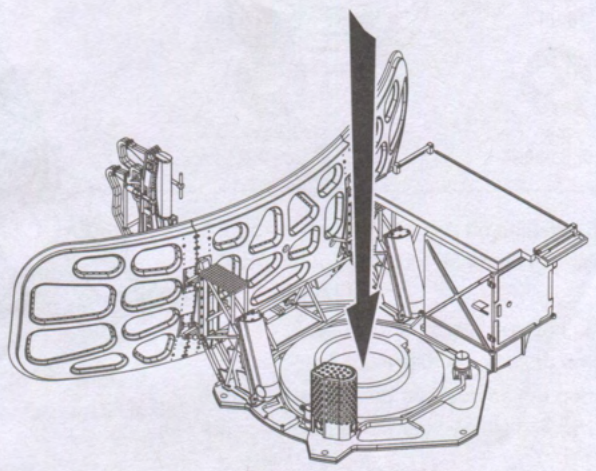
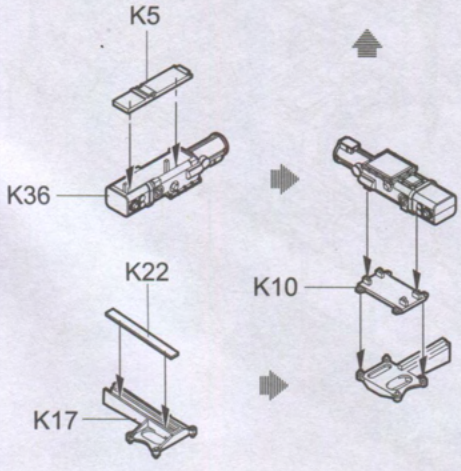
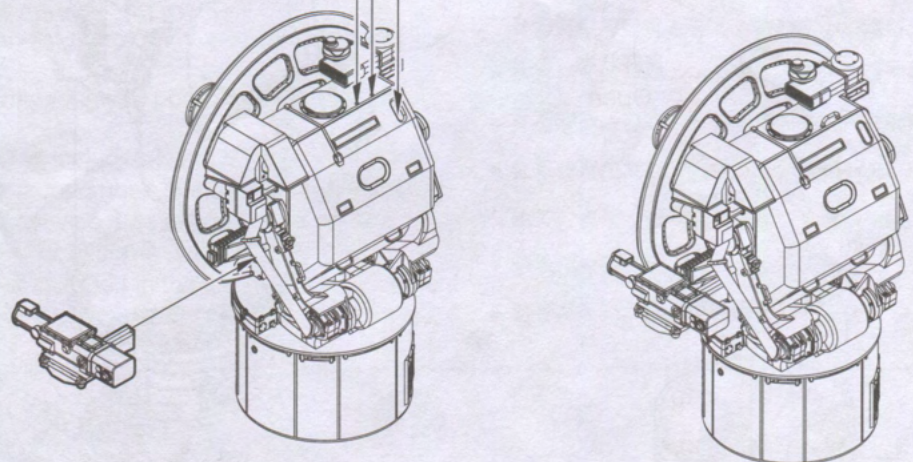
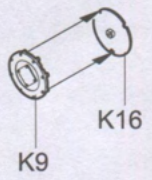
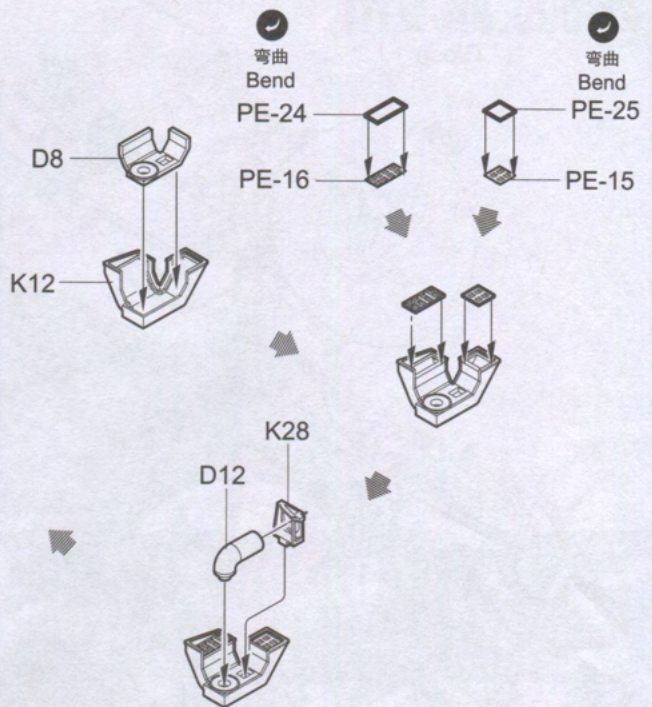
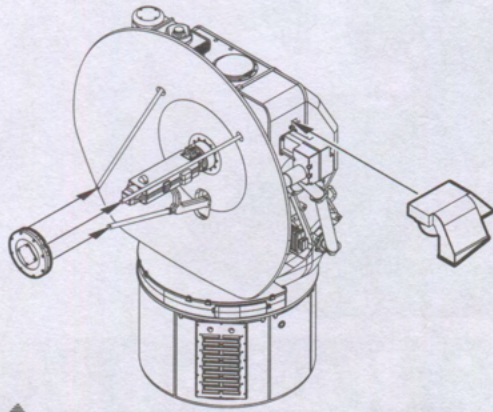


不涂胶水
No cement



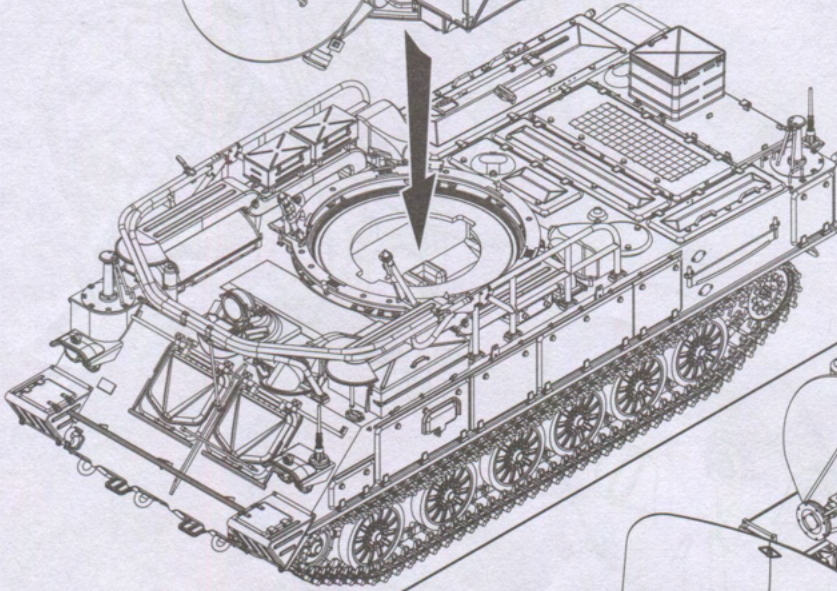
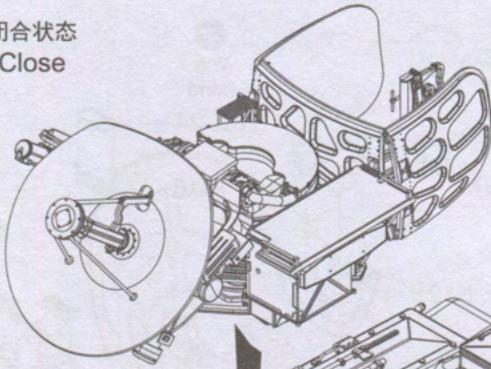






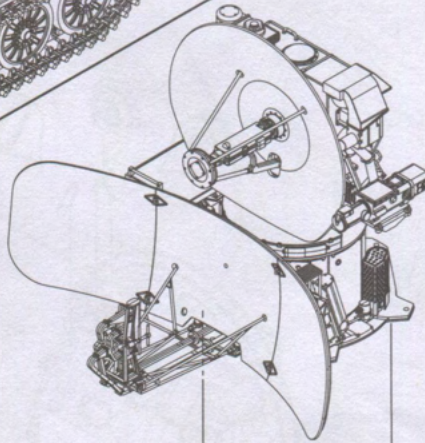
25

闭合状态
Close



?
选择
Option

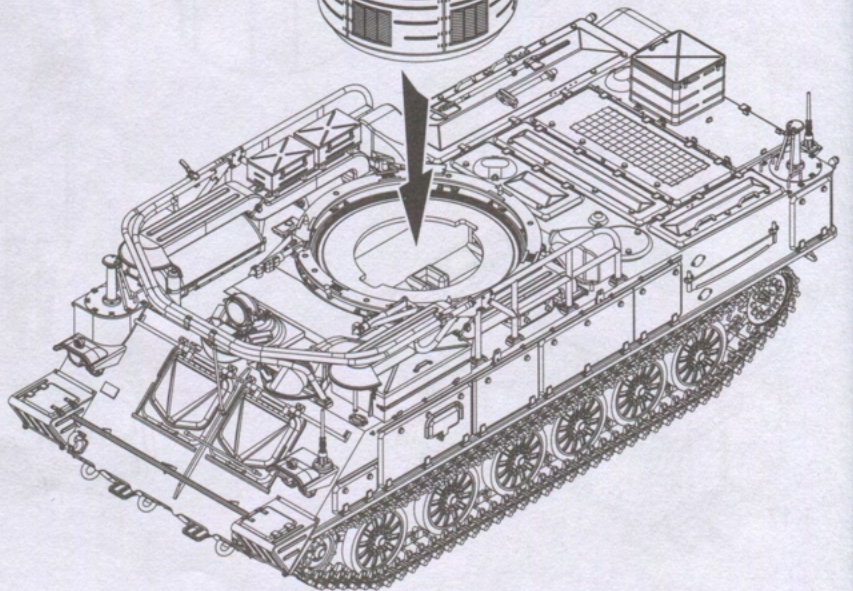
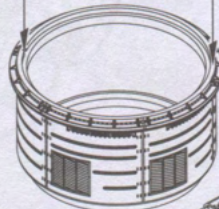
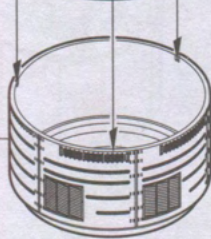
展开状态
Open



D21



F4

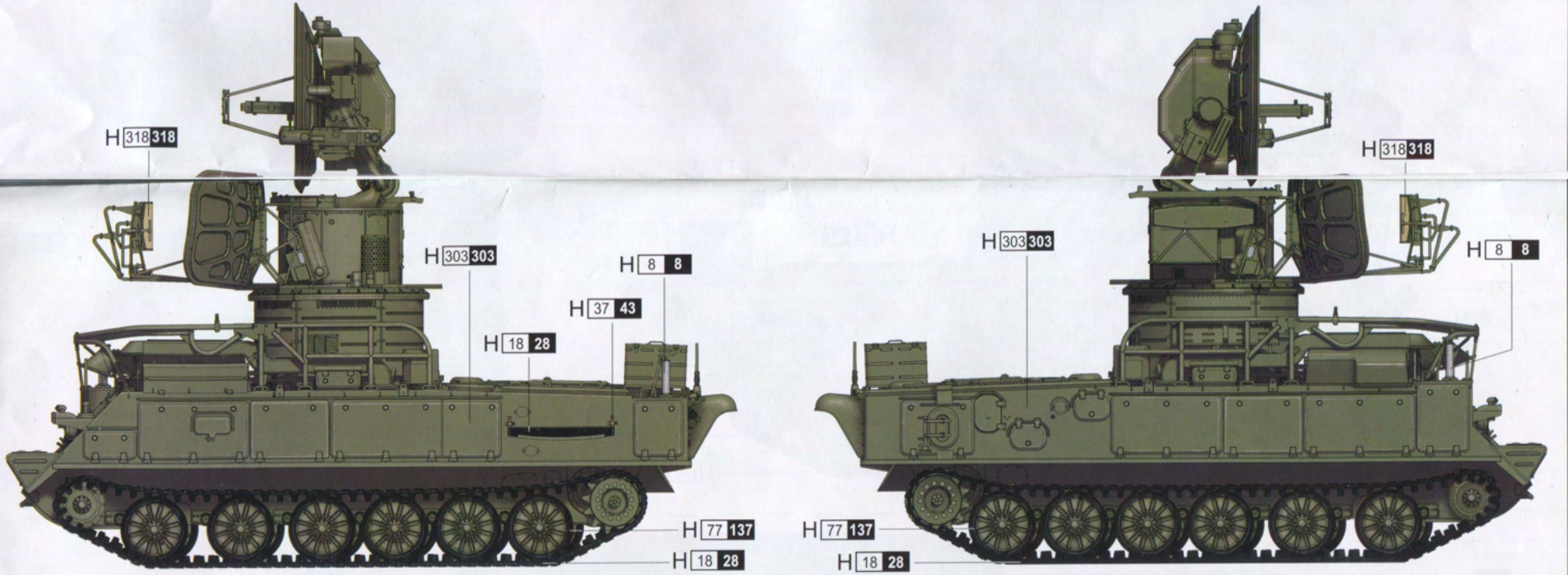
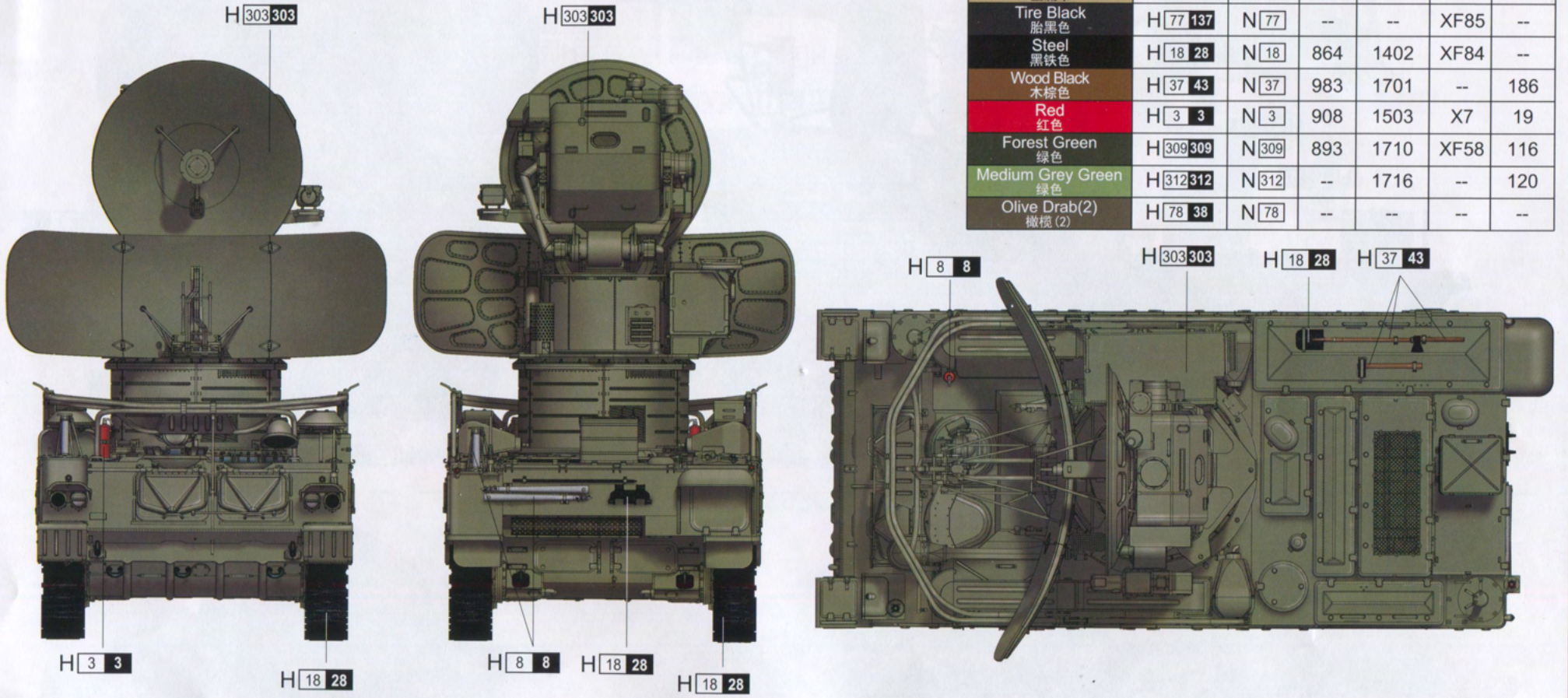


涂装同标贴指示 Painting & Marking guide

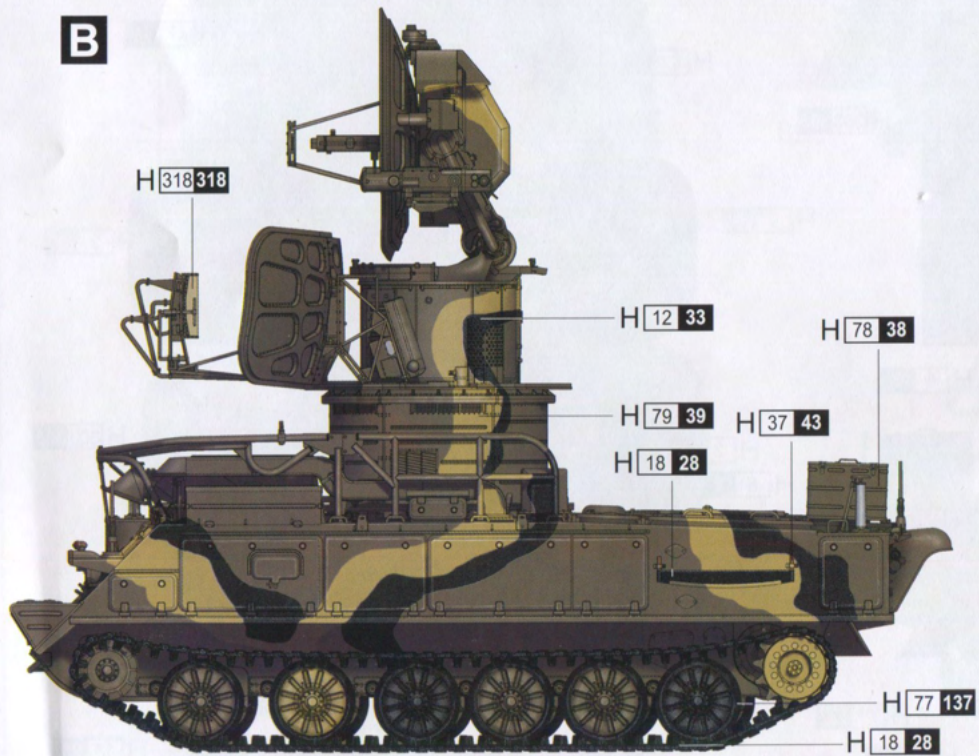
PAINT REFERENCE COLOR

Color	Mr.Hobby	Acrycion	Vallejo	Model Master	Tamiya	Humbrol
Sandy Yellow(Dark Yellow) 砂黄色	H 79 39	N 79	824	--	XF59	93
Light Green 绿色	H 303 303	N 303	--	1713	XF20	117
Flat Black 消光黑	H 12 33	N 12	950	1749	XF1	33
Red Brown 红棕色	H 47 41	N 47	984	--	XF64	160
Silver 银色	H 8 8	N 8	997	1546	X11	11
Radome 整流罩	H 318 318	N 318	917	1709	--	148
Tire Black 胎黑色	H 77 137	N 77	--	--	XF85	--
Steel 黑铁色	H 18 28	N 18	864	1402	XF84	--
Wood Black 木棕色	H 37 43	N 37	983	1701	--	186
Red 红色	H 3 3	N 3	908	1503	X7	19
Forest Green 绿色	H 309 309	N 309	893	1710	XF58	116
Medium Grey Green 绿色	H 312 312	N 312	--	1716	--	120
Olive Drab(2) 橄榄(2)	H 78 38	N 78	--	--	--	--

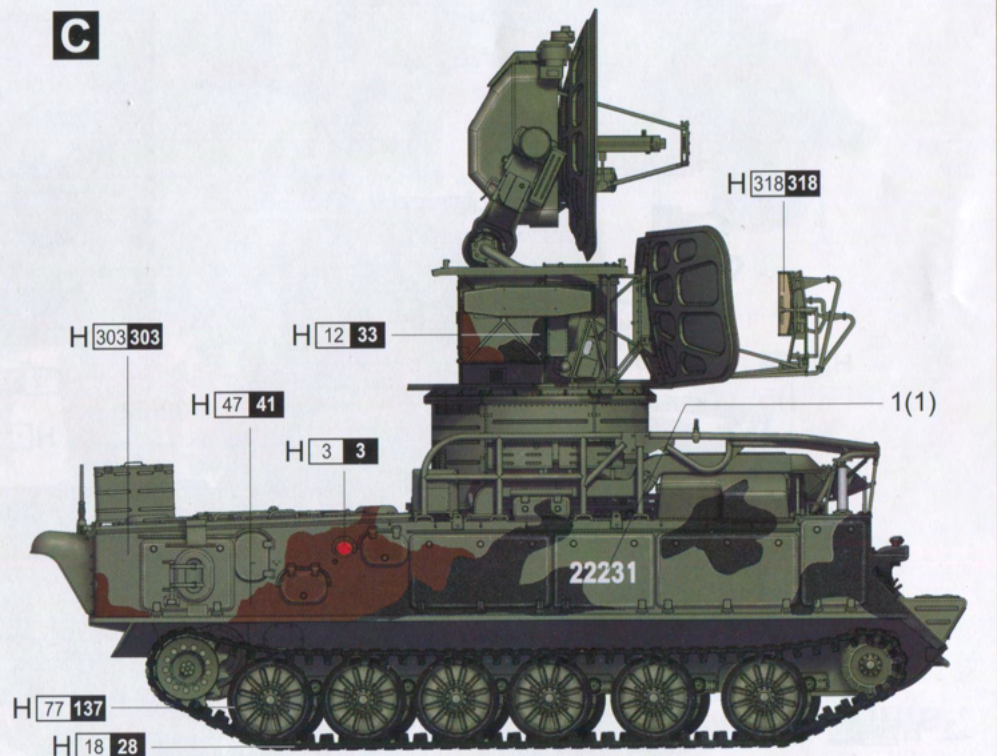
A



B



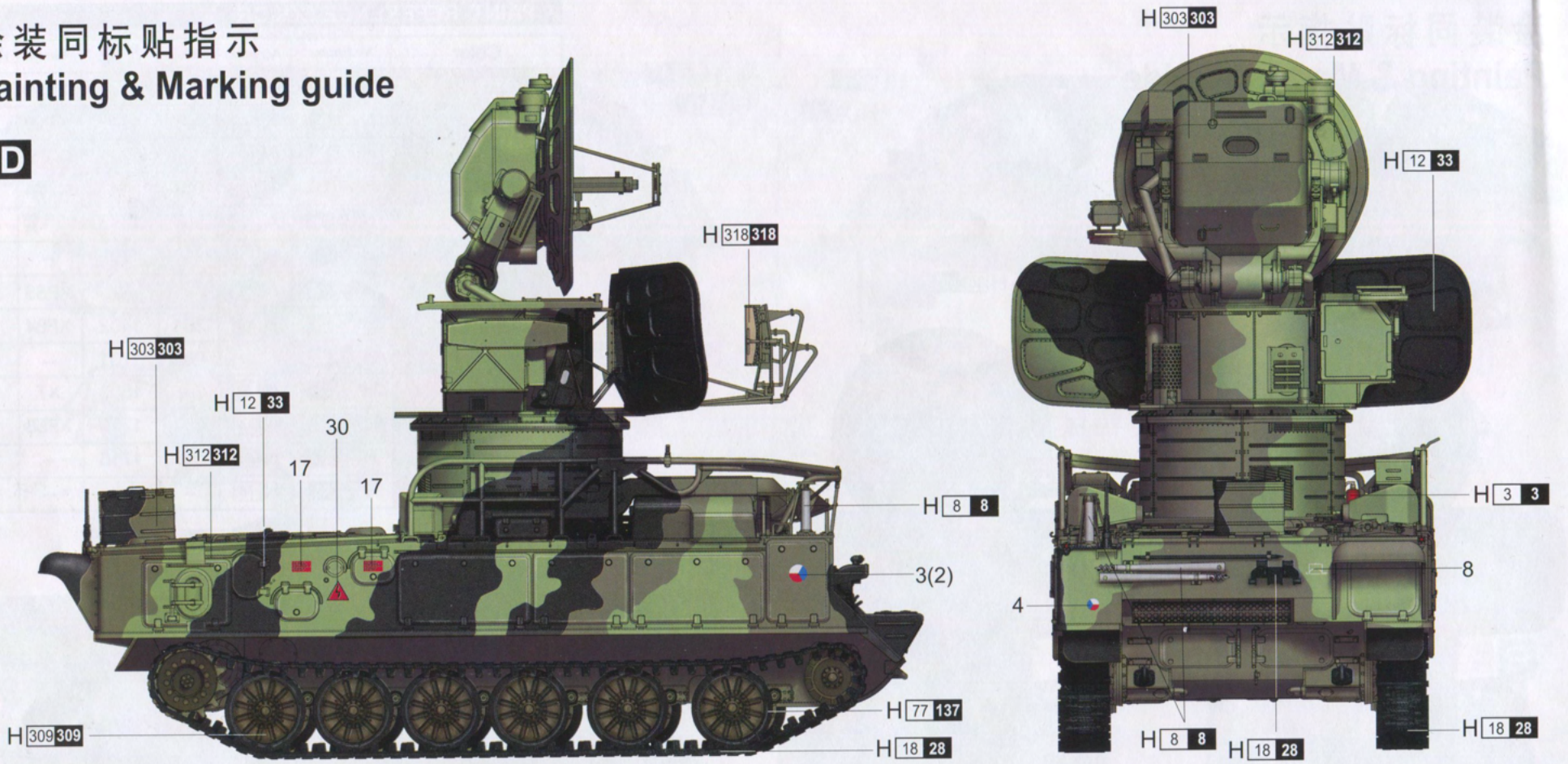
C



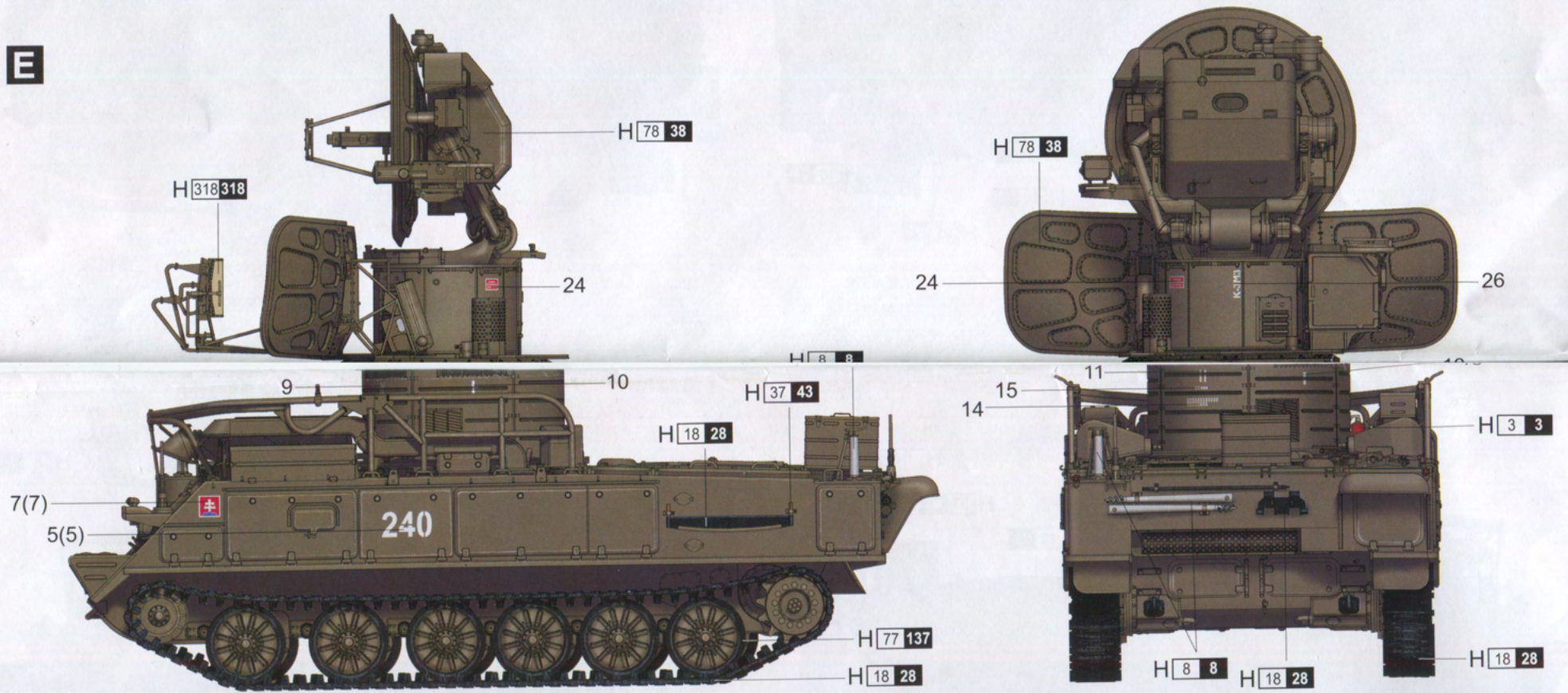
H ☐ AQUEOUS HOBBY COLOR ☒ Mr. COLOR
N ☐ ACRYCION COLOR

涂装同标贴指示
Painting & Marking guide

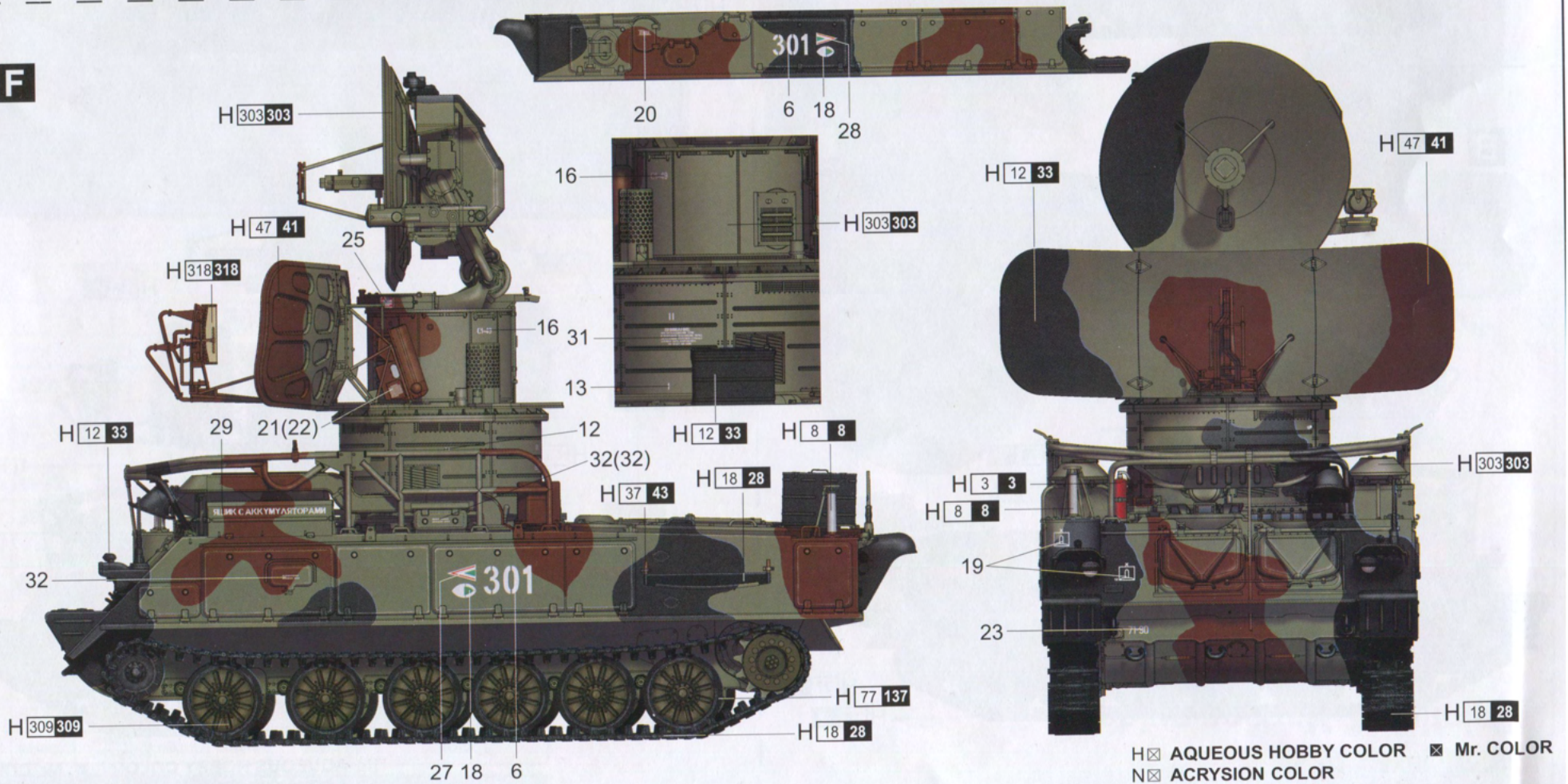
D



E



F



H AQUEOUS HOBBY COLOR Mr. COLOR
N ACRYSION COLOR