

Russian 9A53 Uragan-1M MLRS (Tornado-s)

俄罗斯9A53多管火箭炮

READ BEFORE ASSEMBLY:

- This kit is not recommended for inexperienced modelers or for children under 14 years of age
- Study and understand these instructions thoroughly before beginning assembly
- When needed, remove photo-etch parts carefully using a modeling knife or photo etch sprue cutter, being careful not to damage or lose small parts.
- Take extra care in handling photo etch parts in order to avoid injury
- Apply instant cement sparingly to photo etch parts where instructed

- Tools recommended(not included in kit):Plastic and instant cements,sprue cutters,long nose pliers,modeling knife, small files, tweezers, pin vise & scissors. Soft cloth and sandpaper will also assist in construction
- Glue and paint are not included in the kit. Use plastic cement and hobby paints only. Color guide for purchasing paint is included in the kit.
- Keep out of reach of children. They must not be allowed to ingest small parts or handle plastic bags in any way.

装配之前仔细阅读

- 小心用模型锉刀锉平所有零件表面的注射浇口。
- 小心用刀片切下蚀刻片零件，不要遗失小零件。
- 用强力快干胶水粘合蚀刻片零件和金属轴。过量的快干胶水使用可能导致可动零件会粘住，小心涂胶。
- 取蚀刻片时应特别注意安全，防止利边划伤手指。
- 某些零件表面需贴水贴纸，请选择在装配的同时进行。
- 推荐模型工具(自备)：胶水，水口剪刀，长咀钳，刀片，锉刀，镊子钳，钻，剪刀，瞬间快干胶。
- 软布同砂纸同时也应该是必备工具。
- 请使用塑料胶水和油漆，模型内不含。
- 谨防小孩吸吮塑料零件，或者将塑料袋套在头上，制作时应将套材远离小孩接触。
- 本产品不适合14岁以下没有经验的模型爱好者。

水贴纸的使用:

1. 从水贴上剪下印花;
2. 将印花放入温水中浸10秒, 然后放在干净布上;
3. 拿着印花纸板将印花移到模型上;
4. 手指蘸水将印花移到适当的位置;
5. 用软布轻压印花直至水干, 汽泡消失。

DECAL APPLICATION:

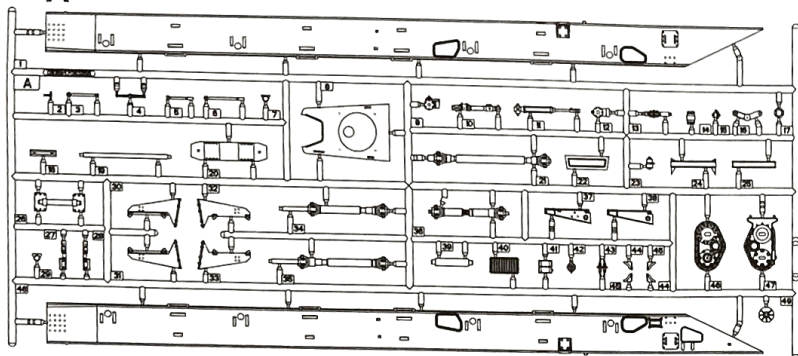
1. Cut decals from sheet as needed
2. Dip the decal in warm water for about 10 seconds and then place on soft clean cloth.
3. Hold the decal backing sheet edge and gently slide the decal onto the model in its proper position.

4. While still wet,decal can be adjusted for better fit on model by dampening it gently with your finger.
5. When placed in the proper position,gently press decal down with a soft cloth until excess water and air bubbles are gone.
6. Allow decal to dry completely before handling model

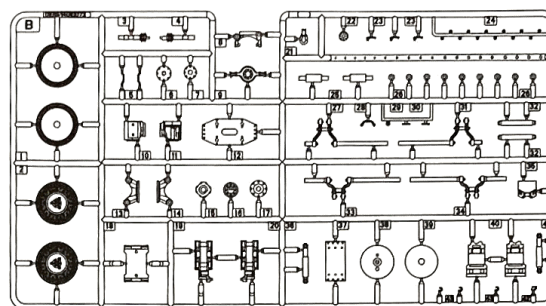


部品图
Parts

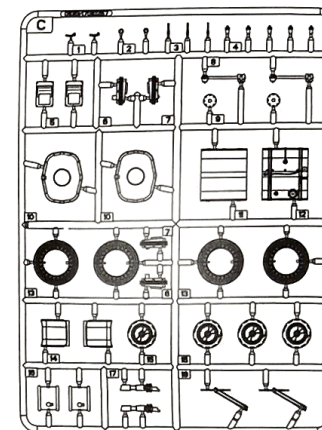
A



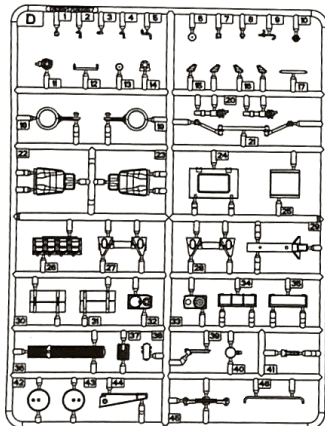
Bx4



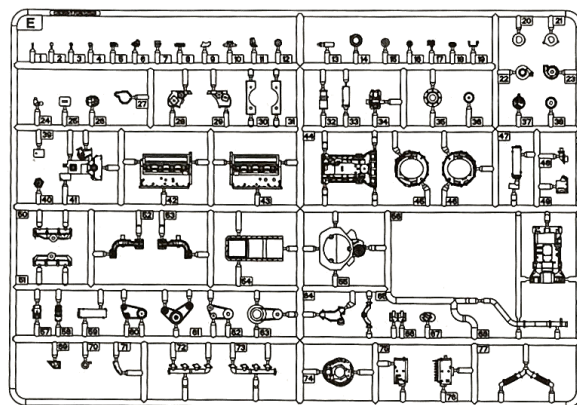
Cx2



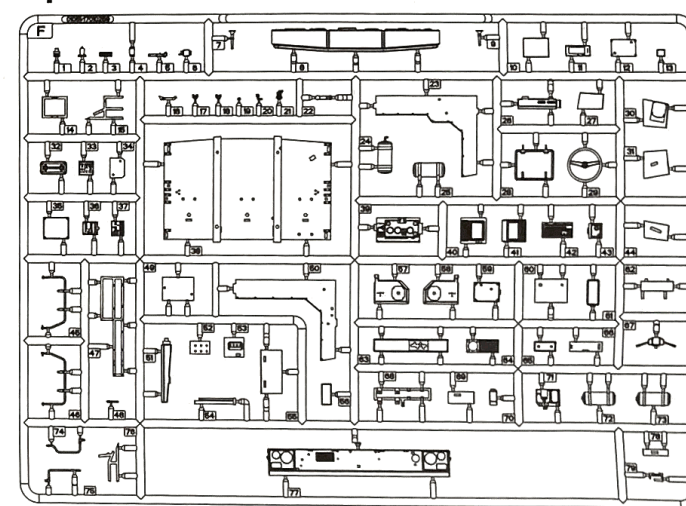
Dx2



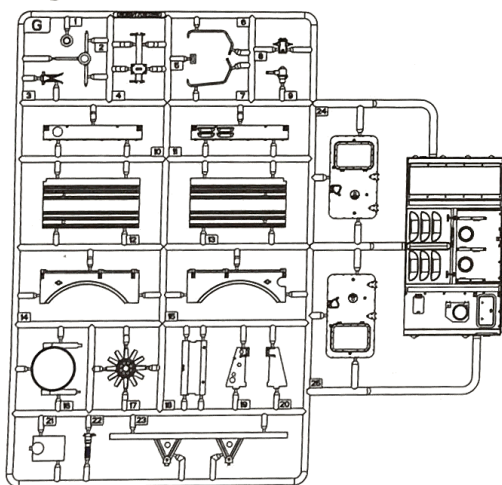
E



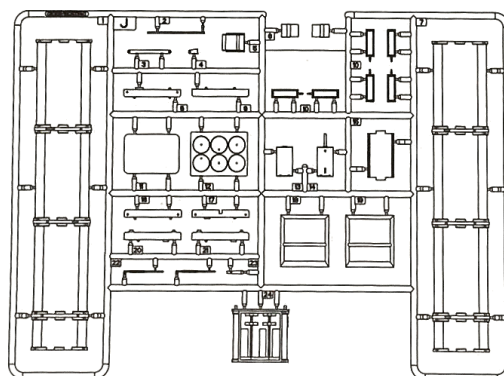
F



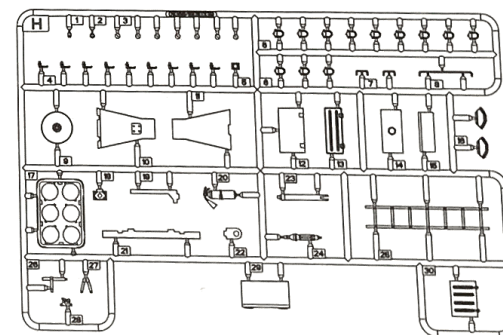
G



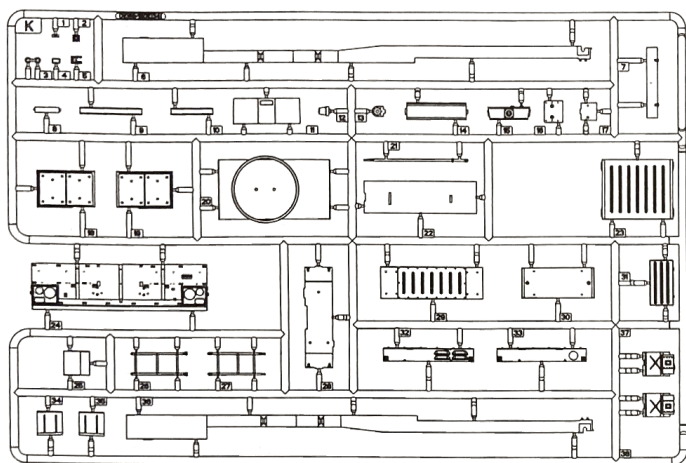
Jx2



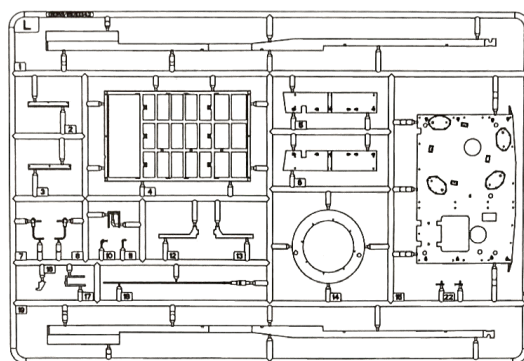
Hx2



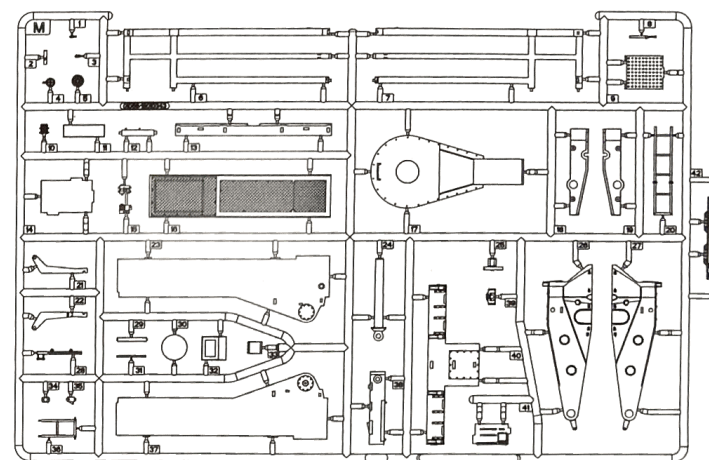
K



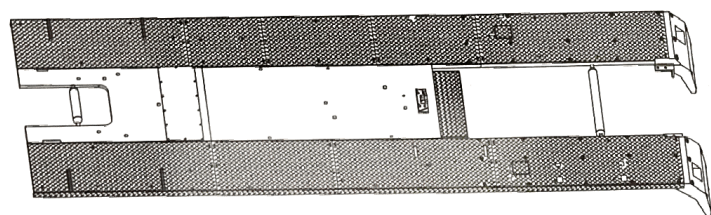
L



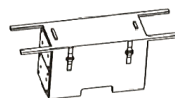
M



《车面》
Upper hull



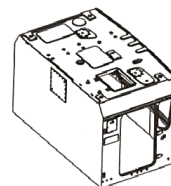
L20



L21



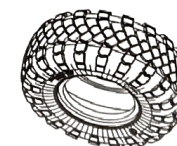
V2



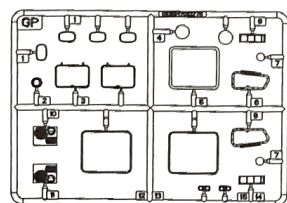
《聚乙烯套》
Poly cap



《轮胎》
Tyre x8



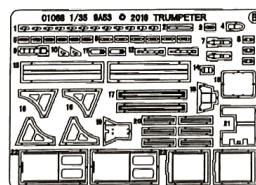
GP



《蚀刻片A》
PE-A



《蚀刻片B》
PE-B



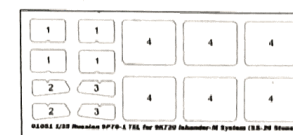
《铜缆》
Cable $\varnothing 0.8 \times 250\text{mm}$



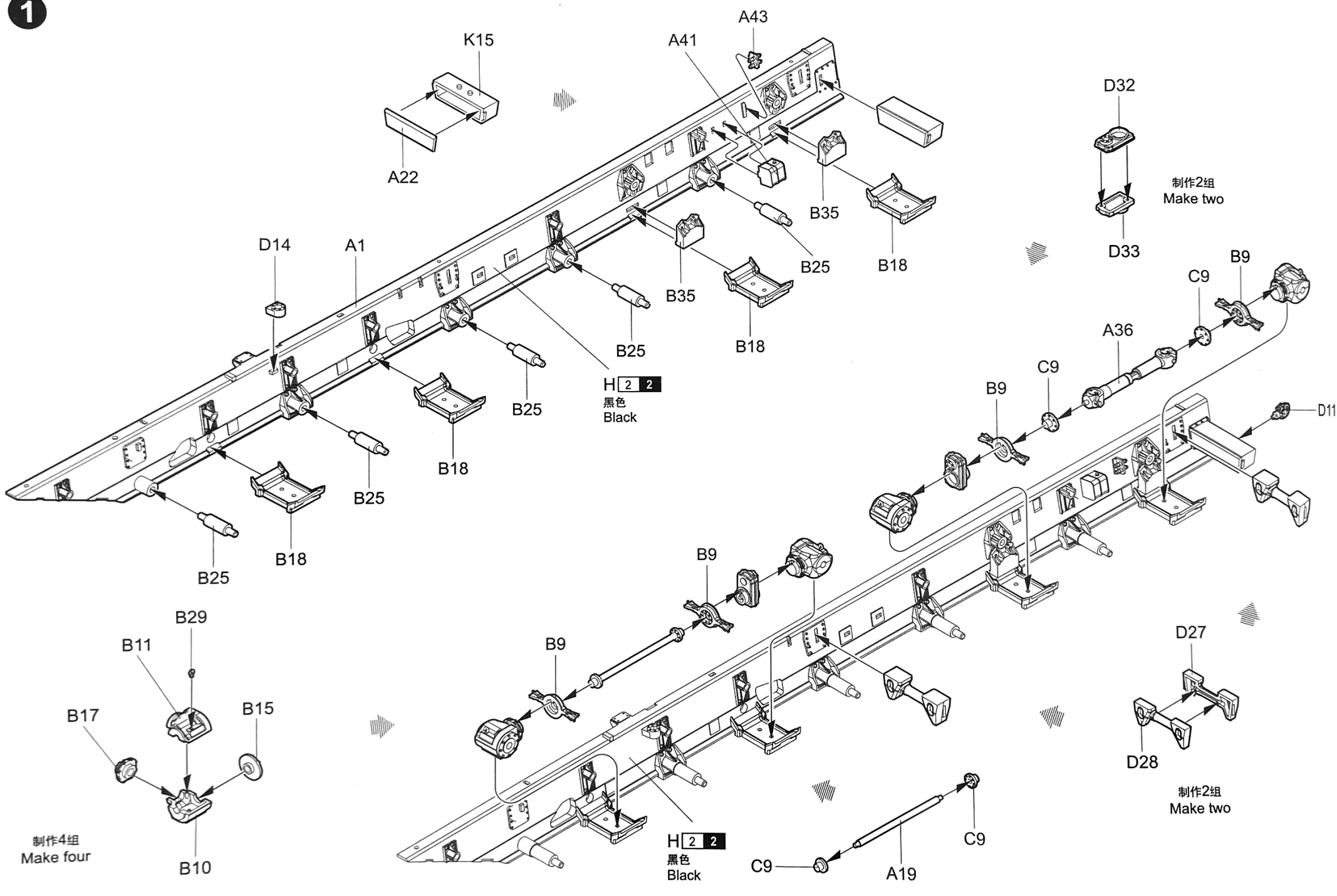
《水贴》
Decal



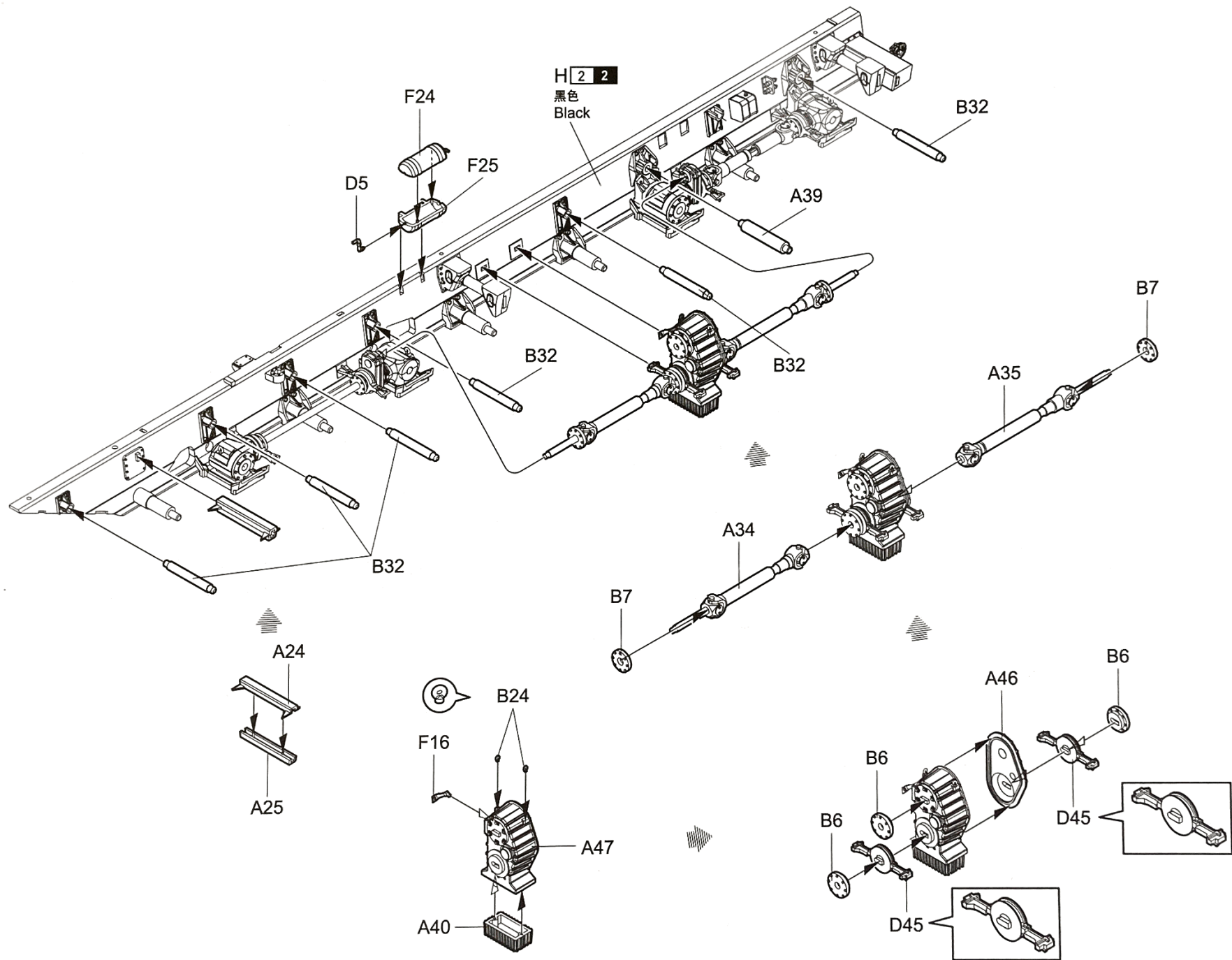
《遮盖纸》
Die-cut mask



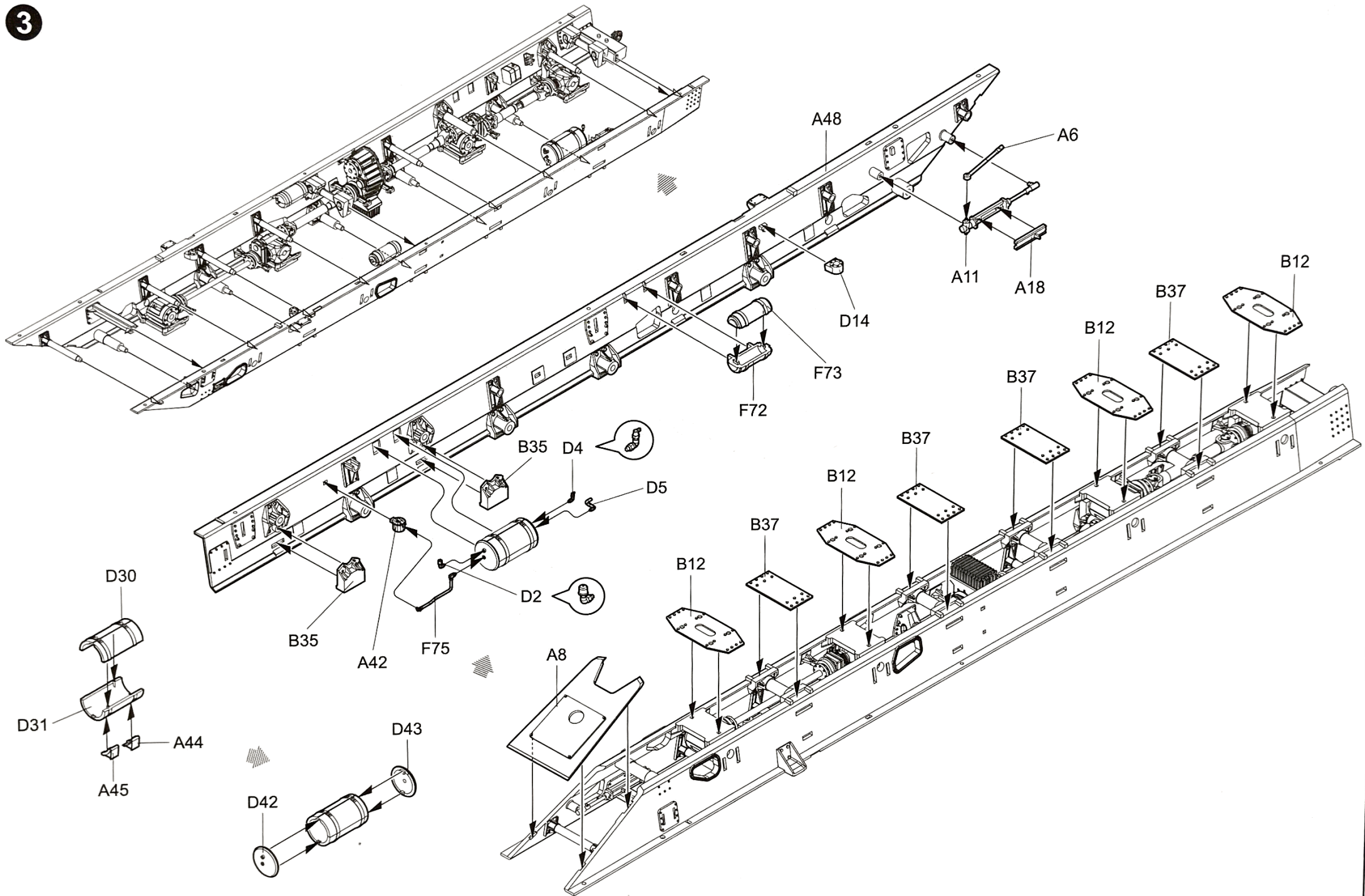
1



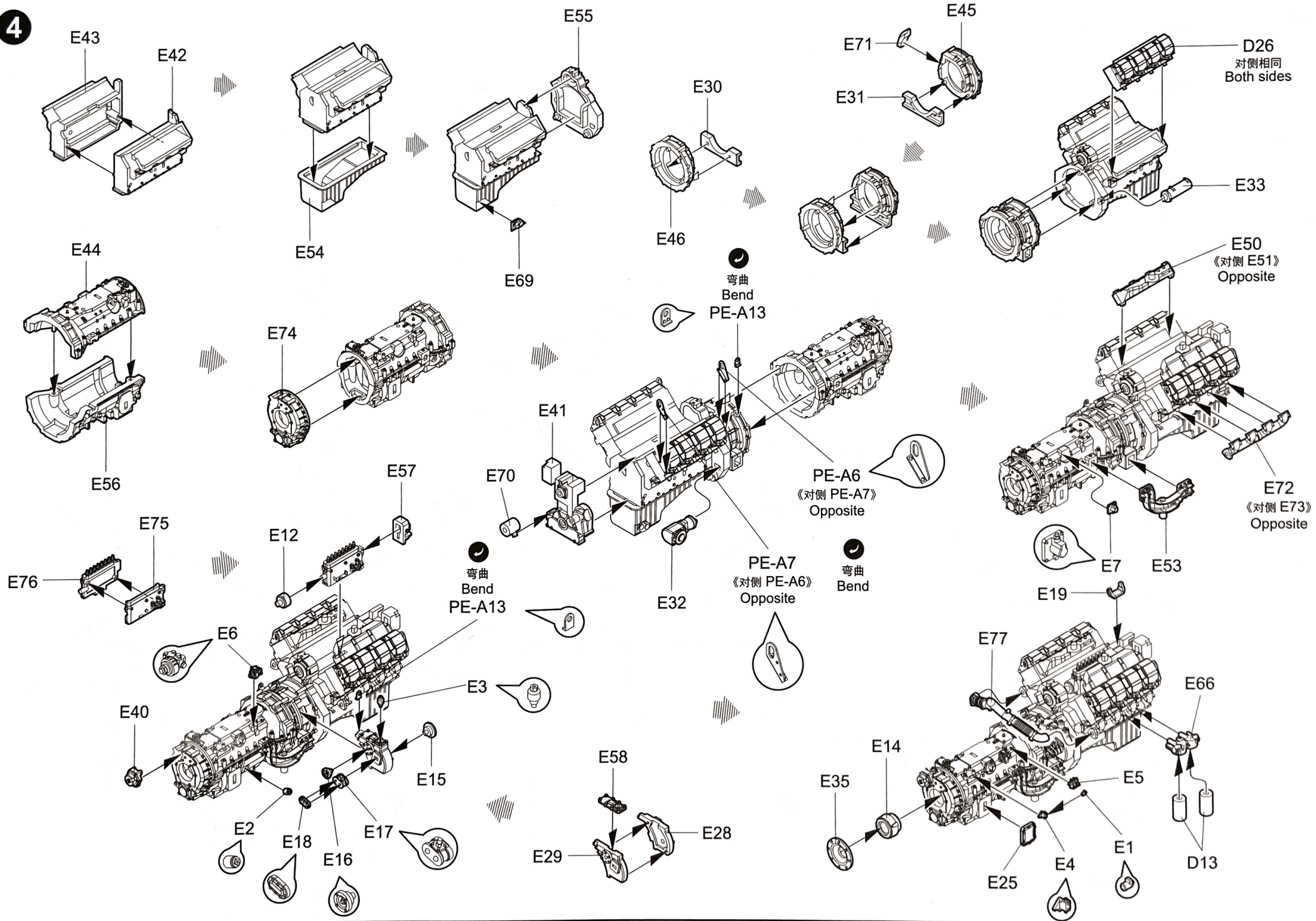
2



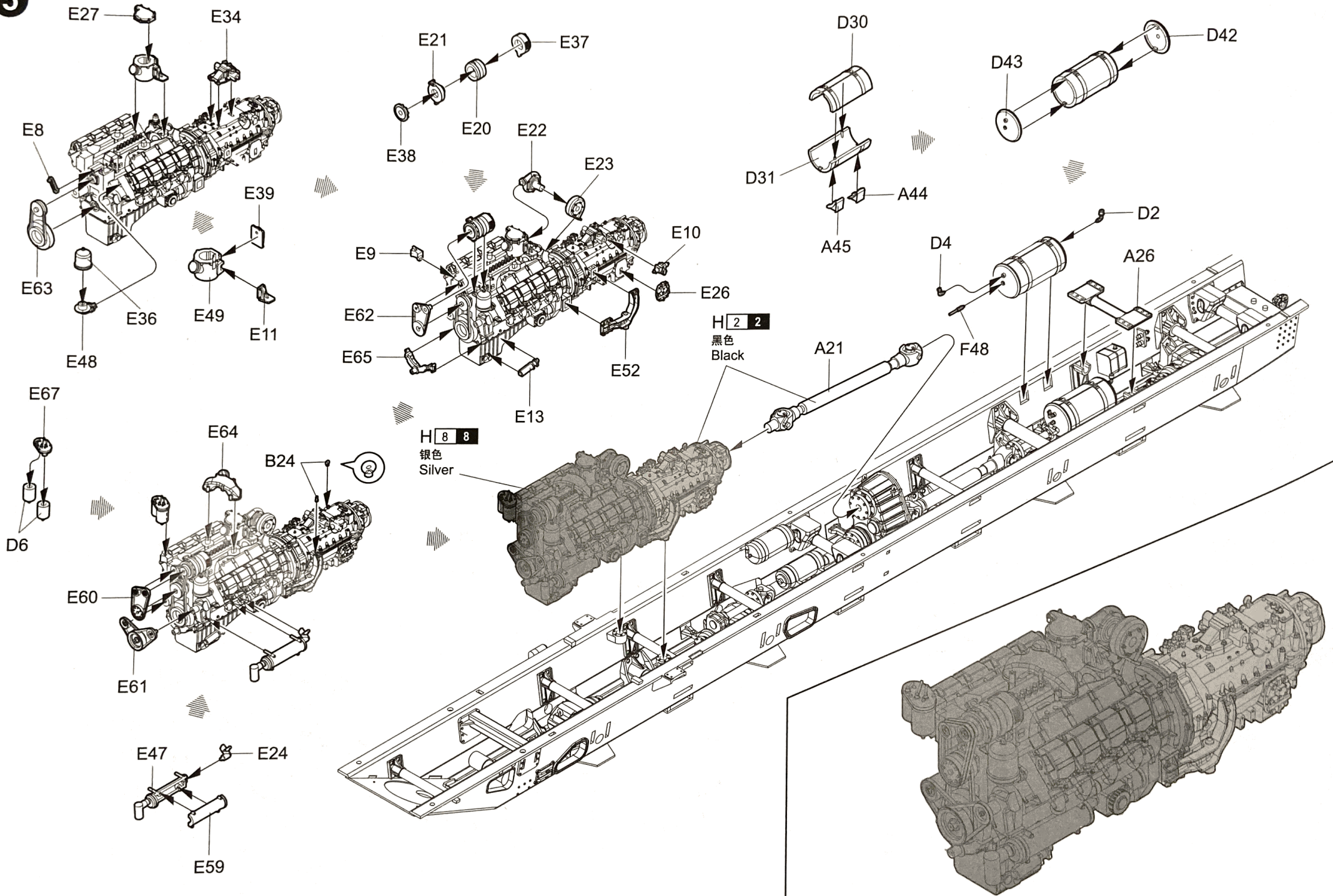
3



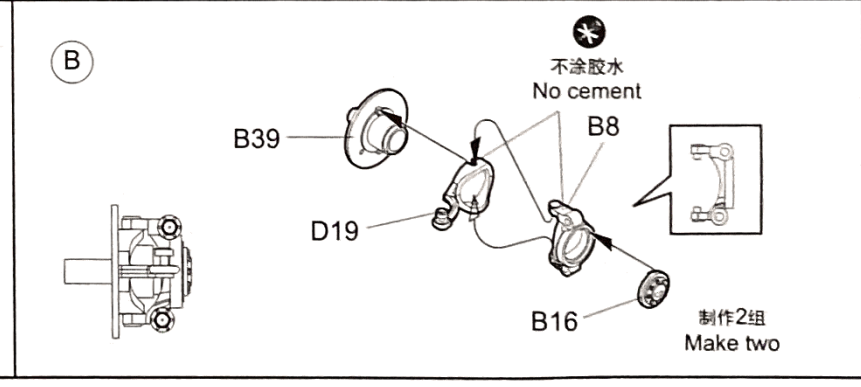
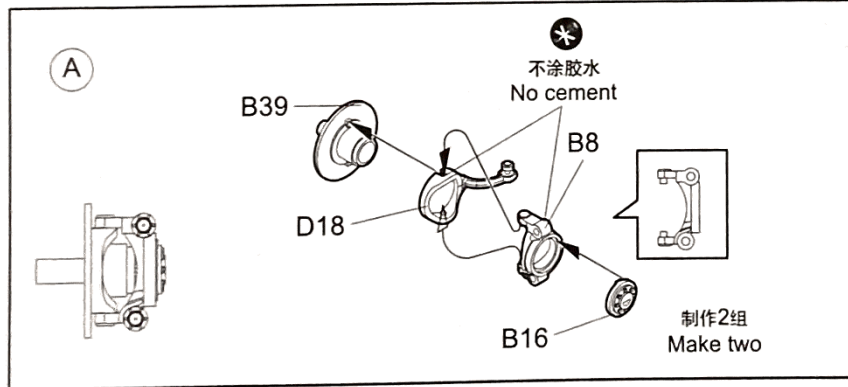
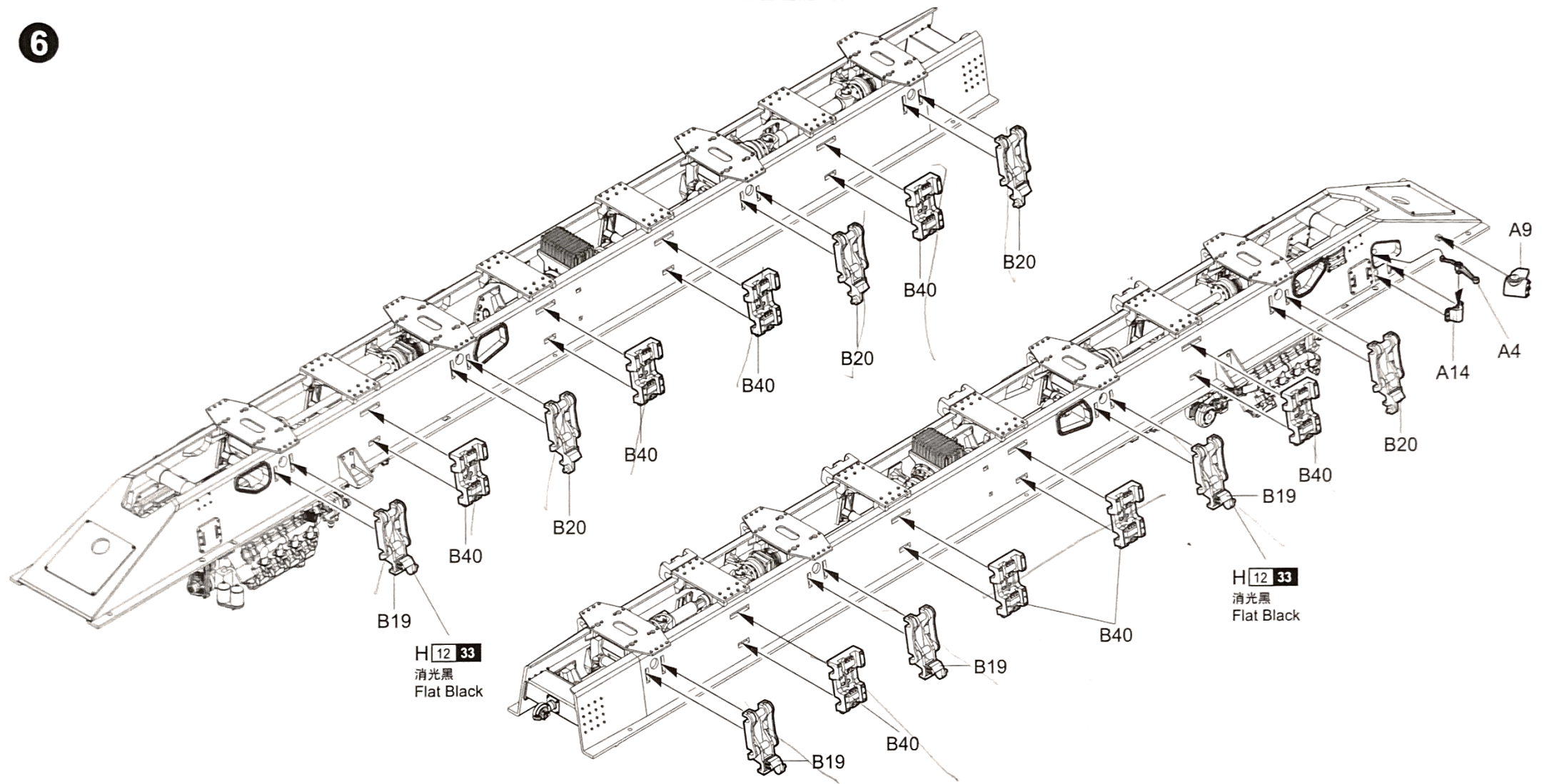
4



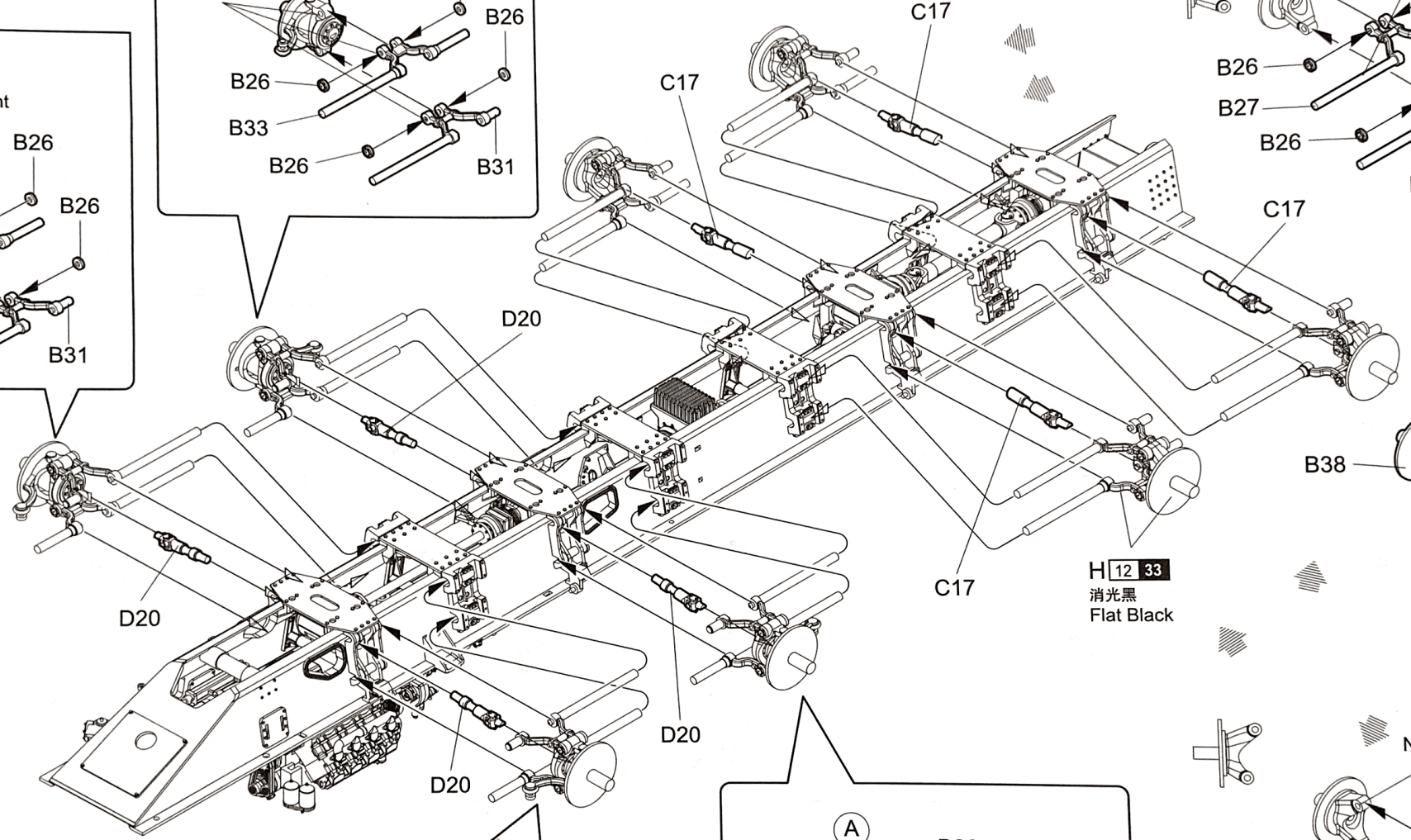
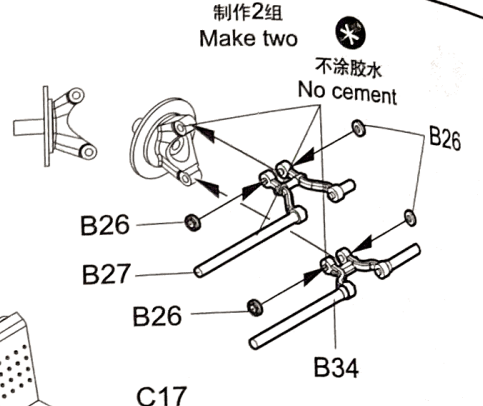
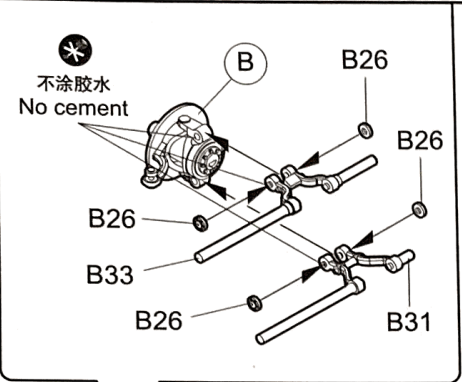
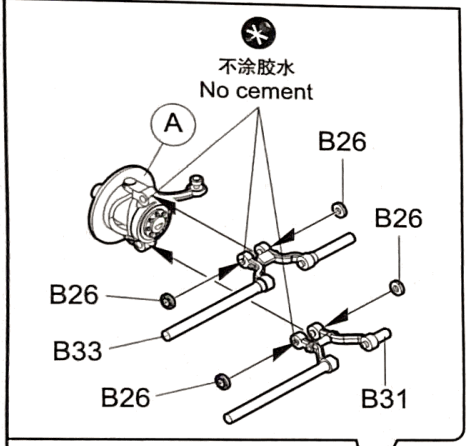
5



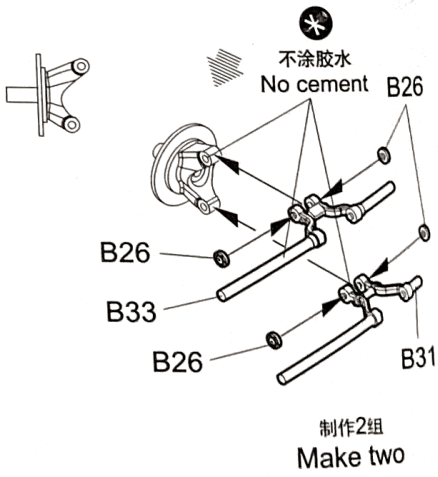
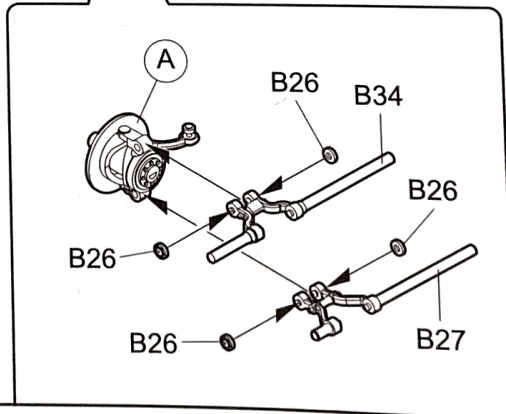
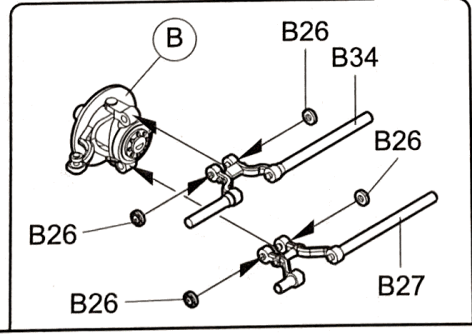
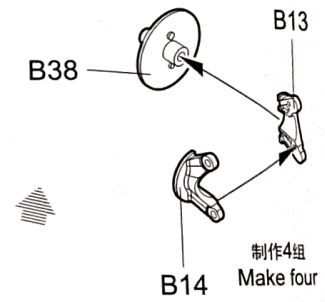
6

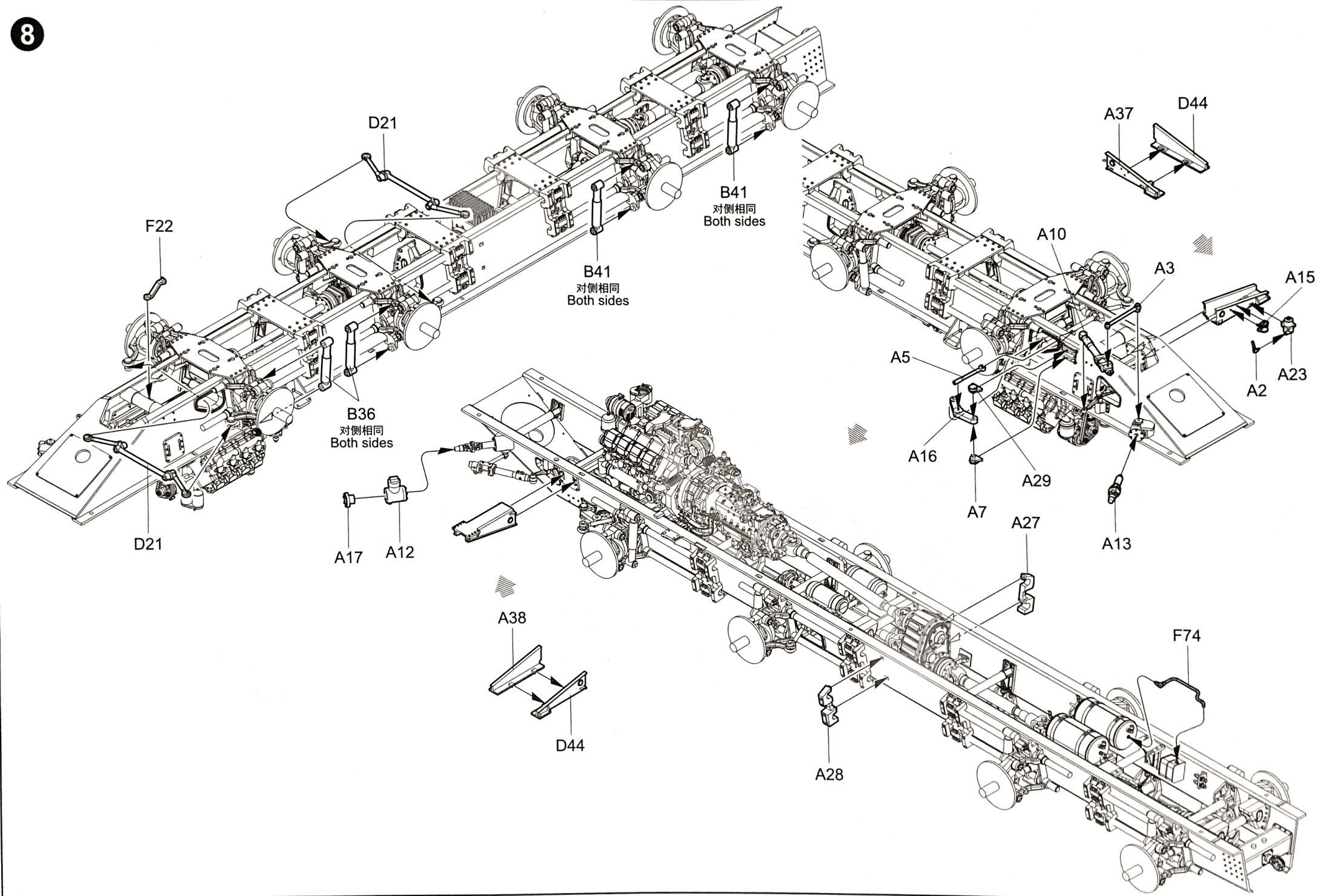


7

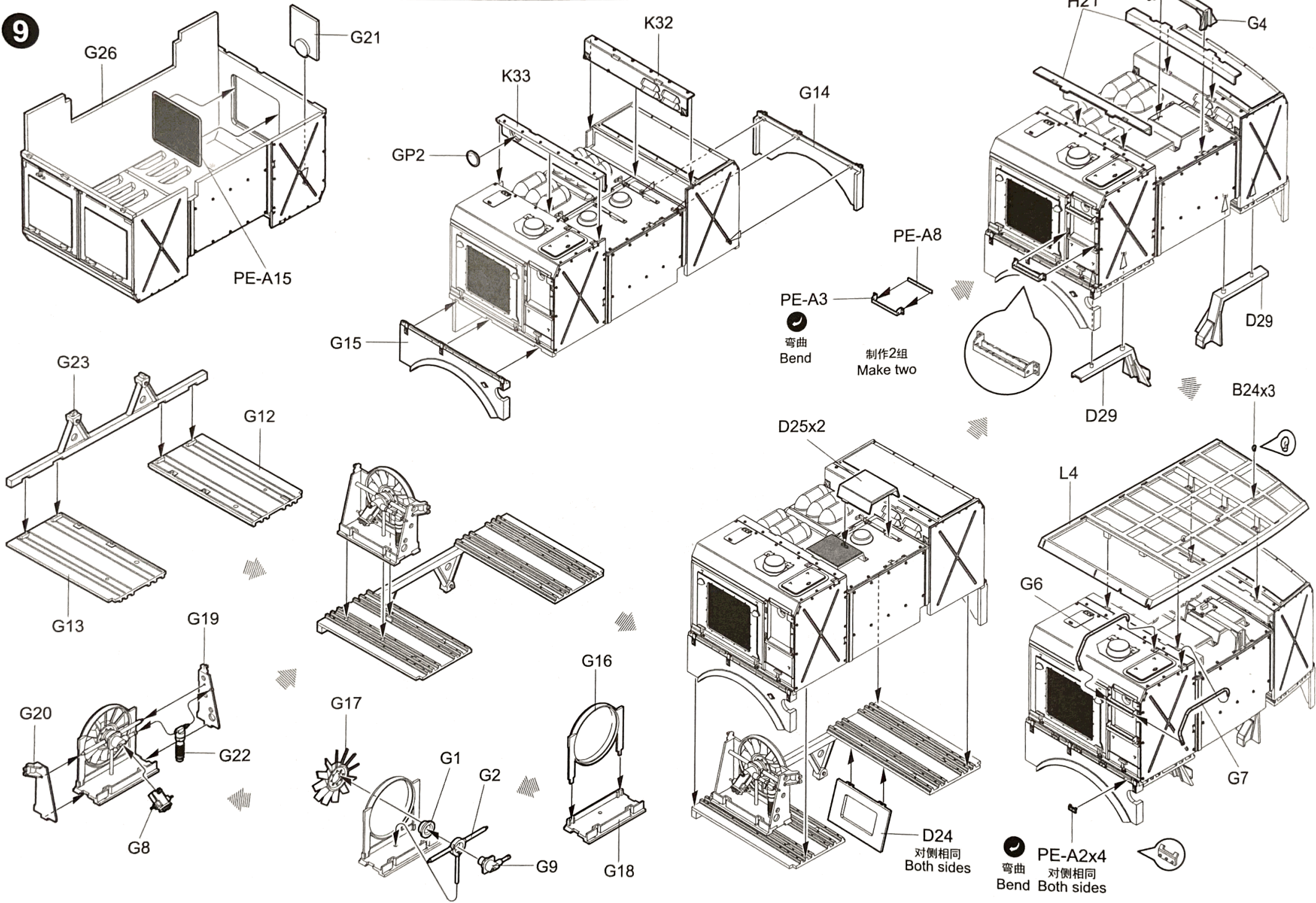


H12 33
消光黑
Flat Black

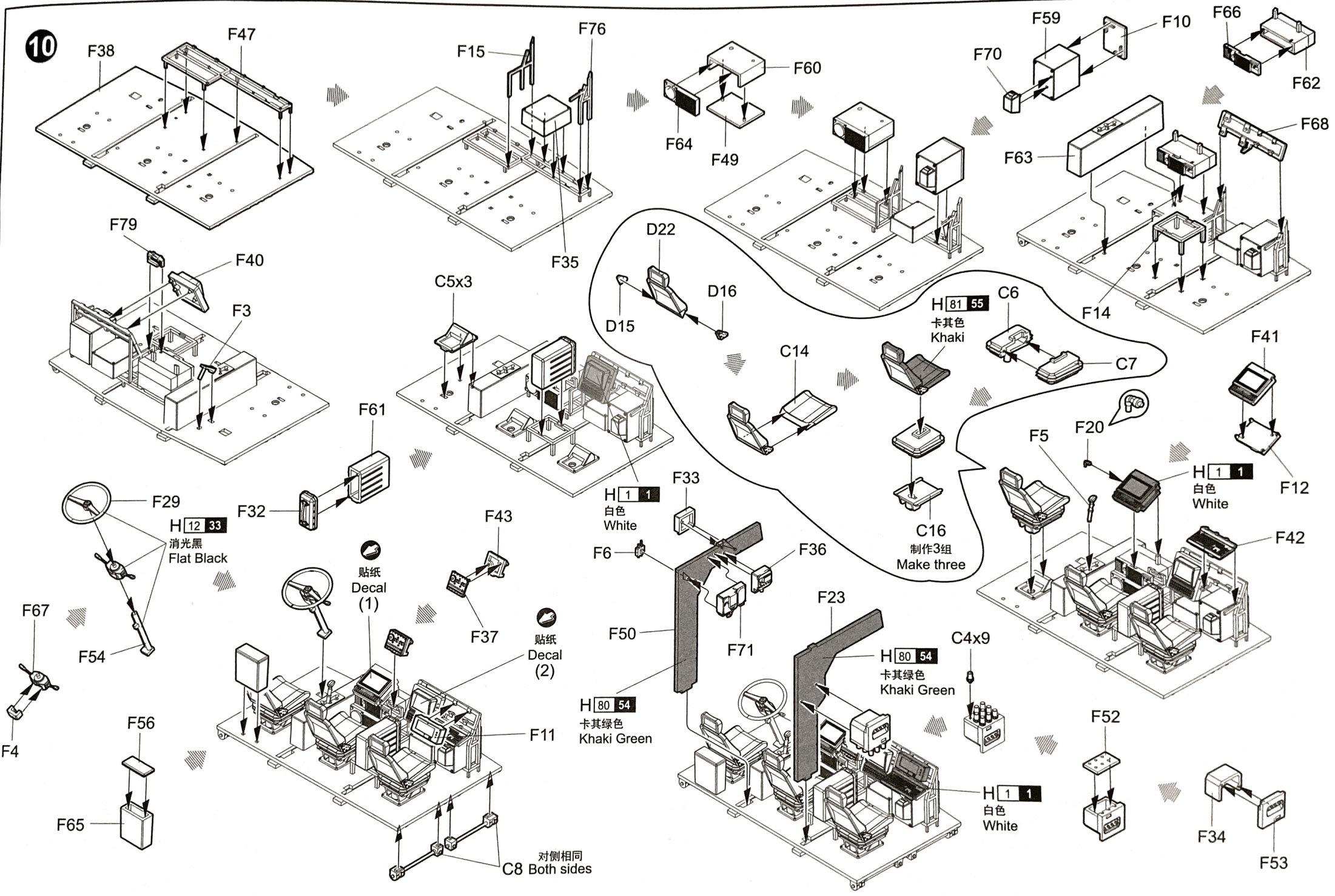


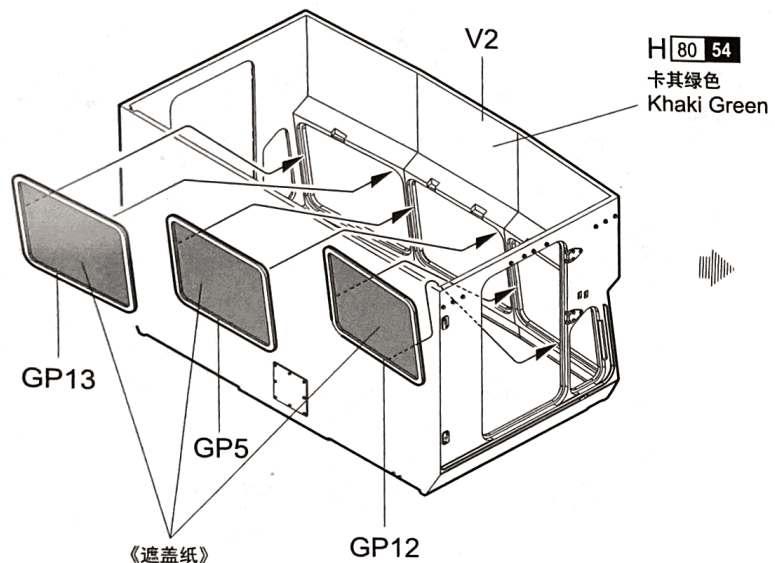


9

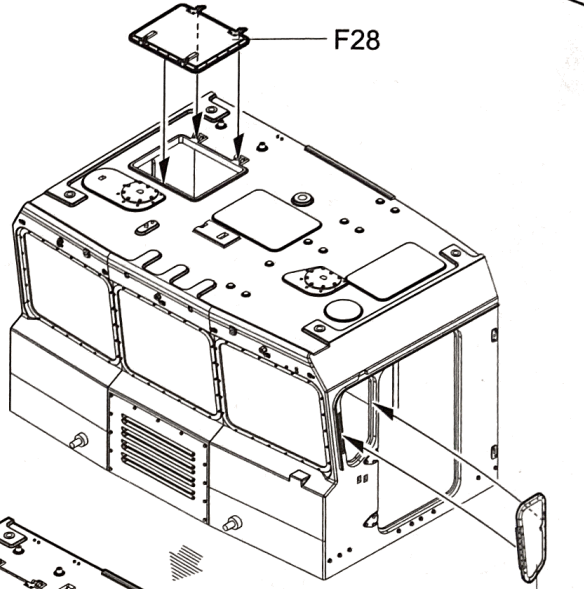
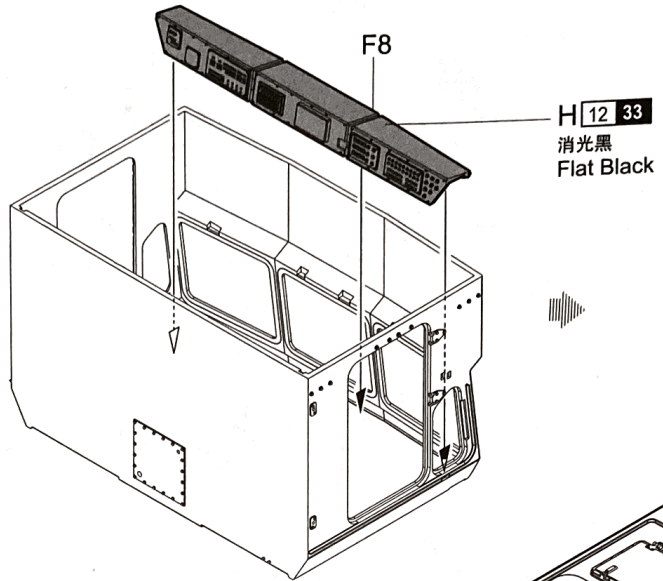
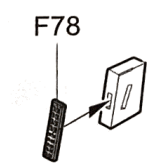
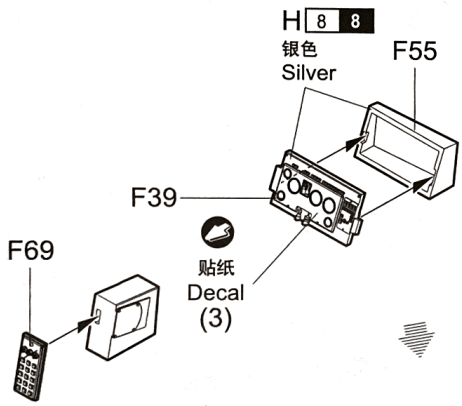
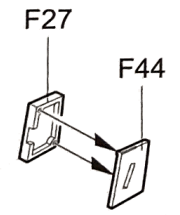
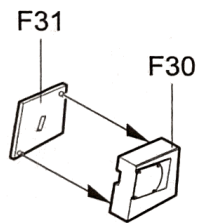


10

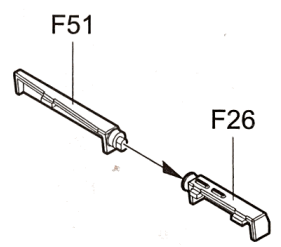




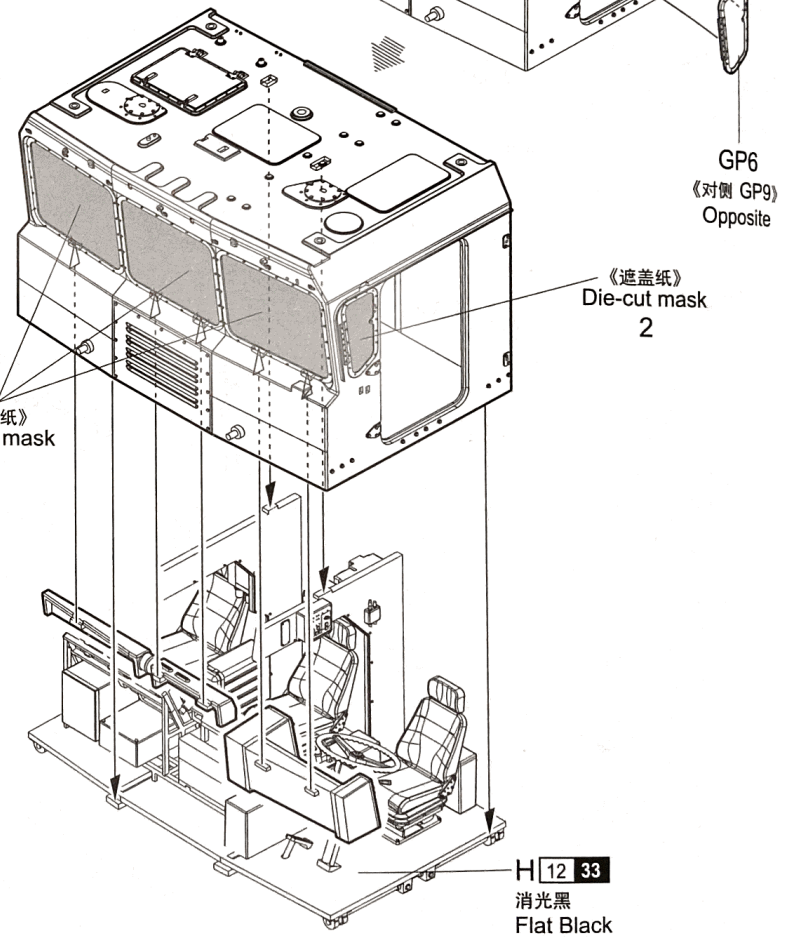
《遮盖纸》
Die-cut mask
4

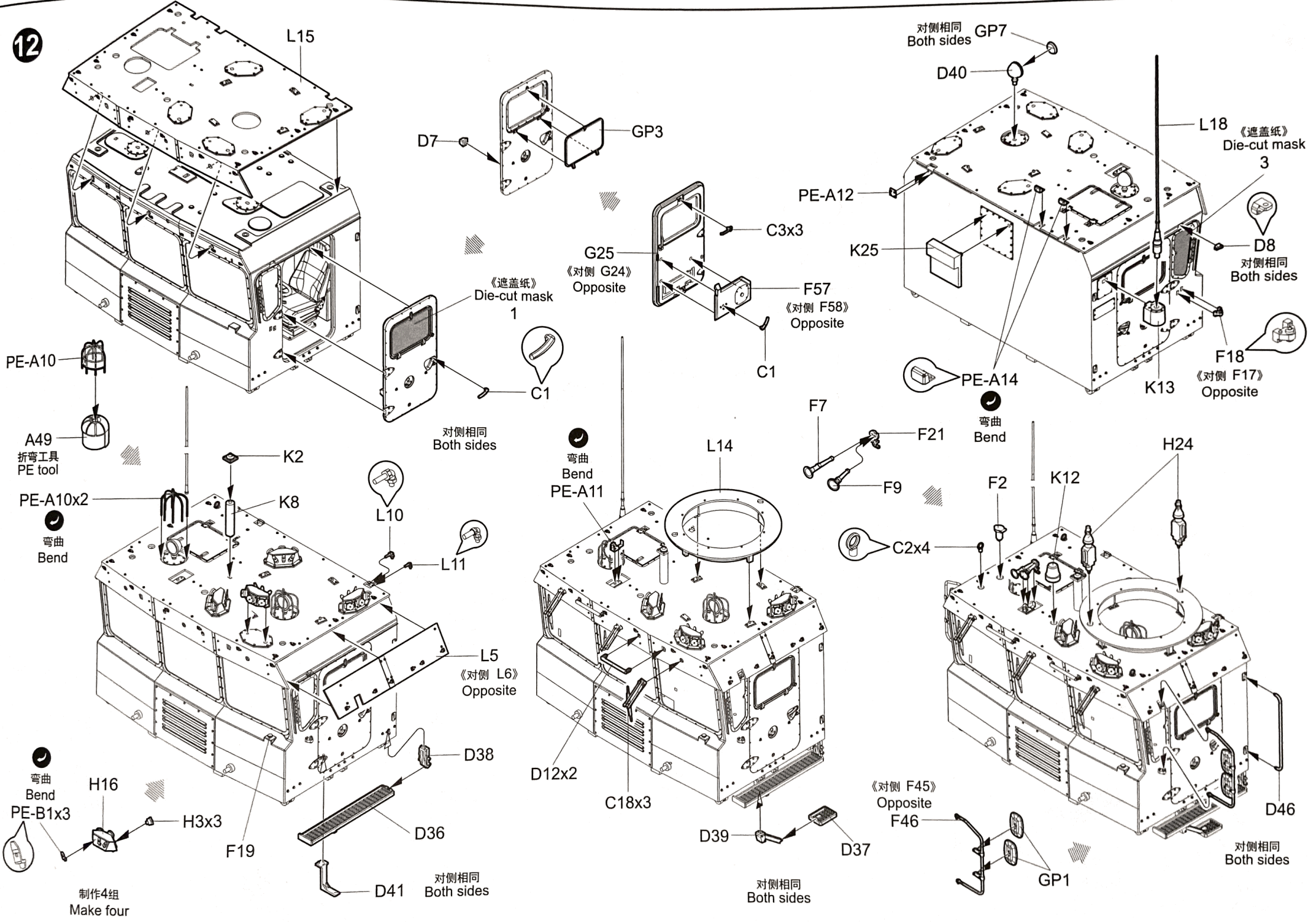


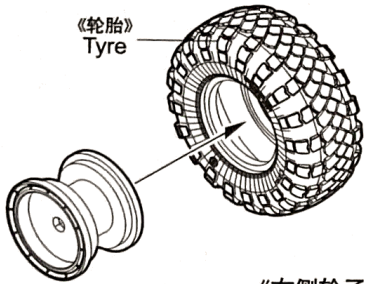
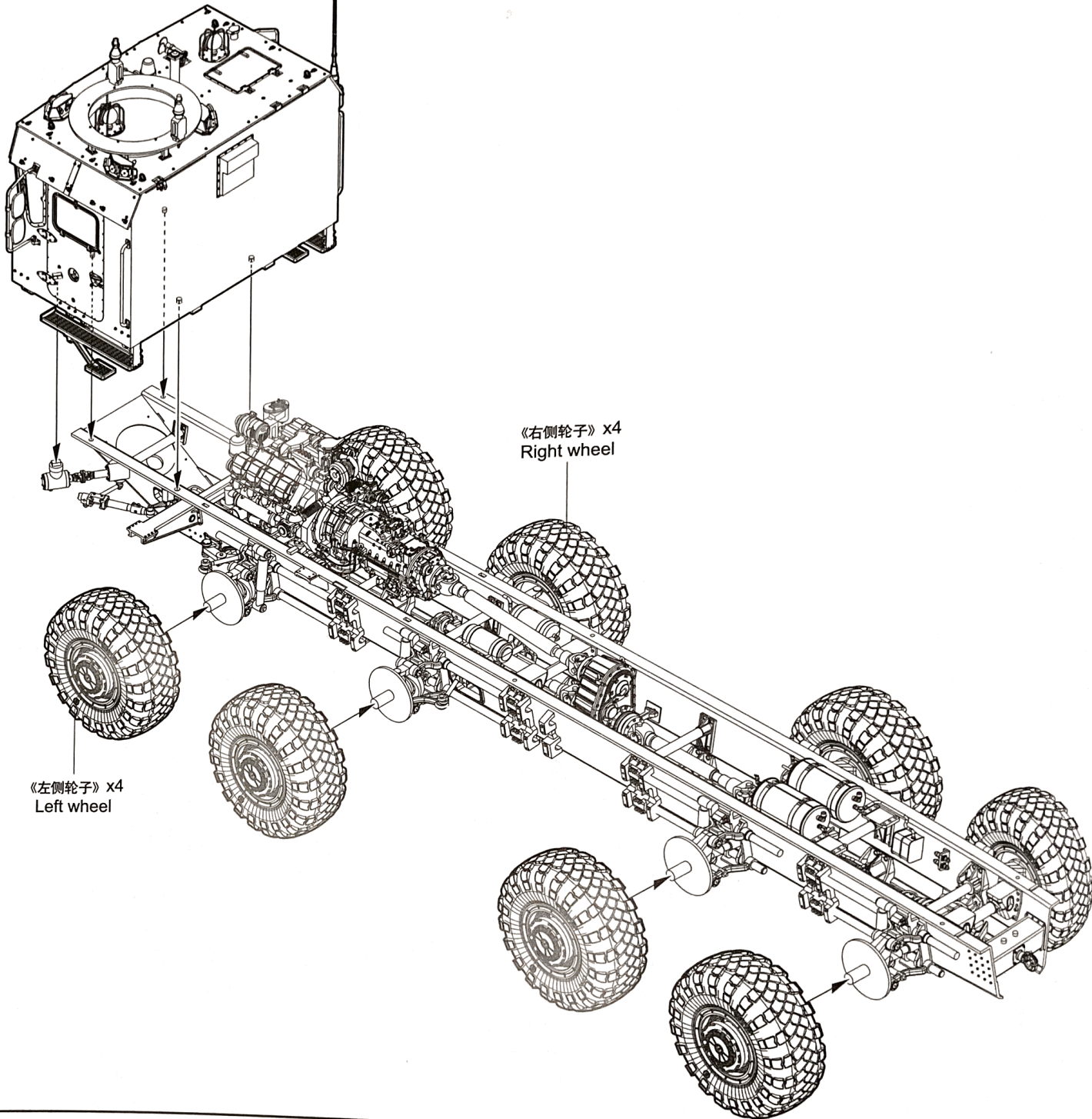
《遮盖纸》
Die-cut mask
2



《遮盖纸》
Die-cut mask
4

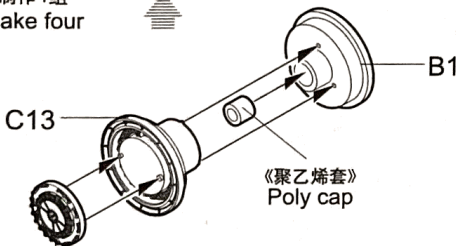




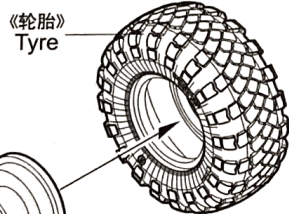


《右侧轮子》
Right wheel

制作4组
Make four

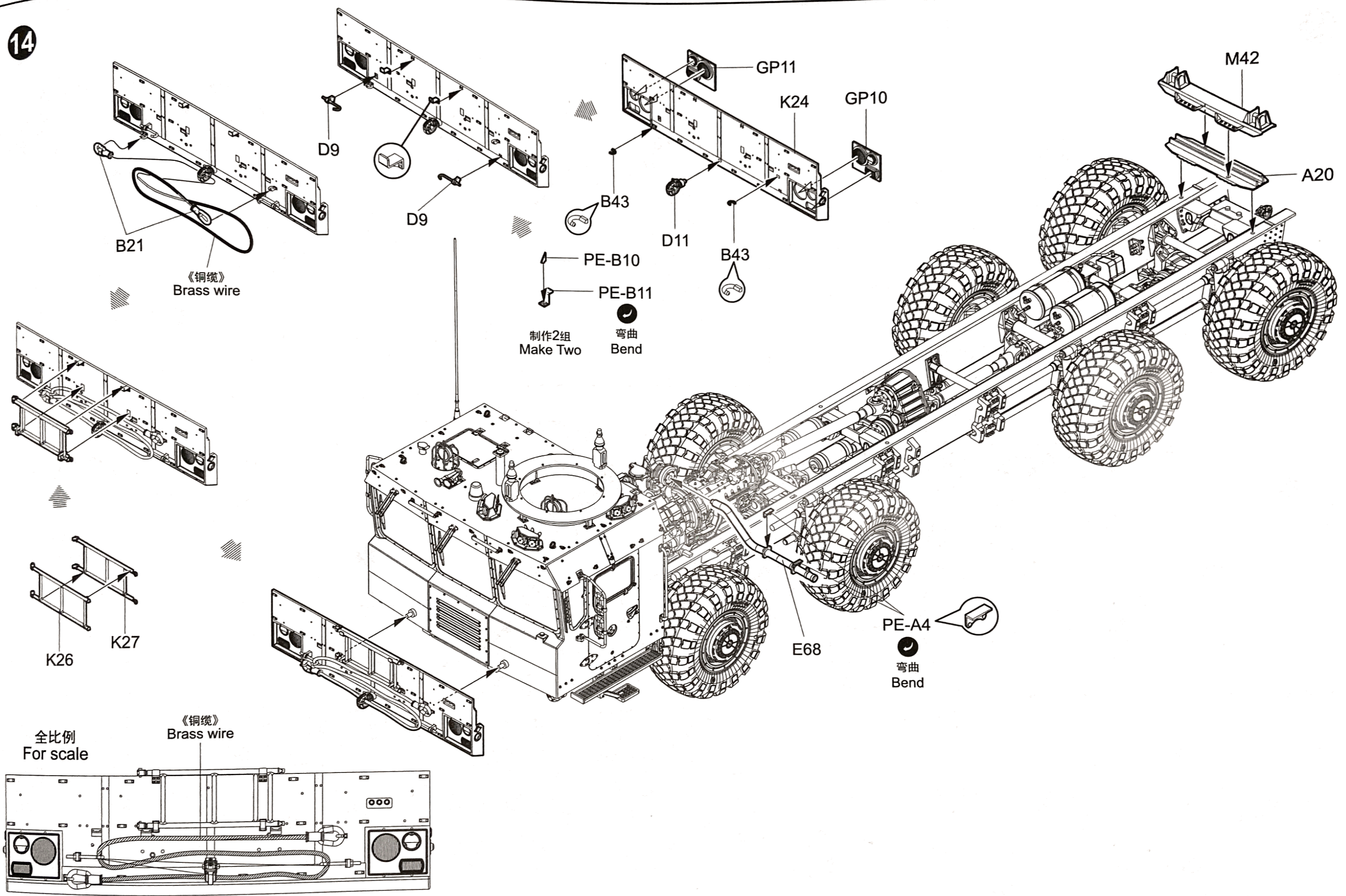


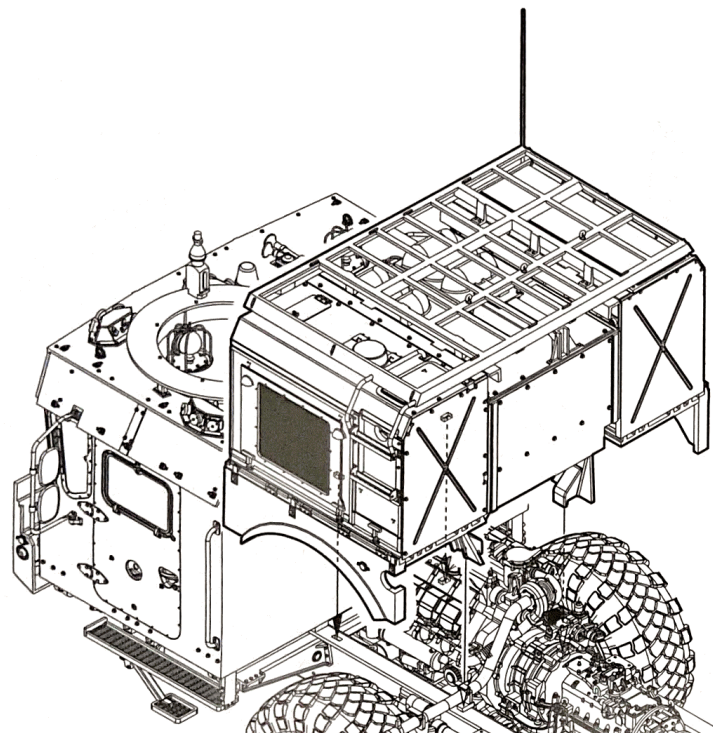
制作8组
Make eight



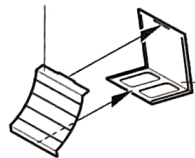
《左侧轮子》
Left wheel

制作4组
Make four





弯曲
Bend
PE-B23



PE-B22

弯曲
Bend



PE-B16

PE-B16

PE-B20x3

弯曲
Bend

制作2组
Make Two

K38



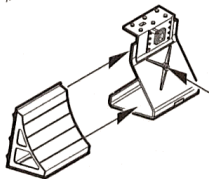
K35



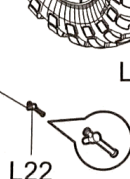
L22



L16



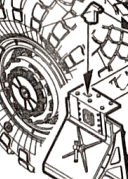
M34



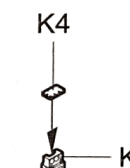
L17



K3



K4



K5

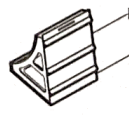
弯曲
Bend
PE-B19



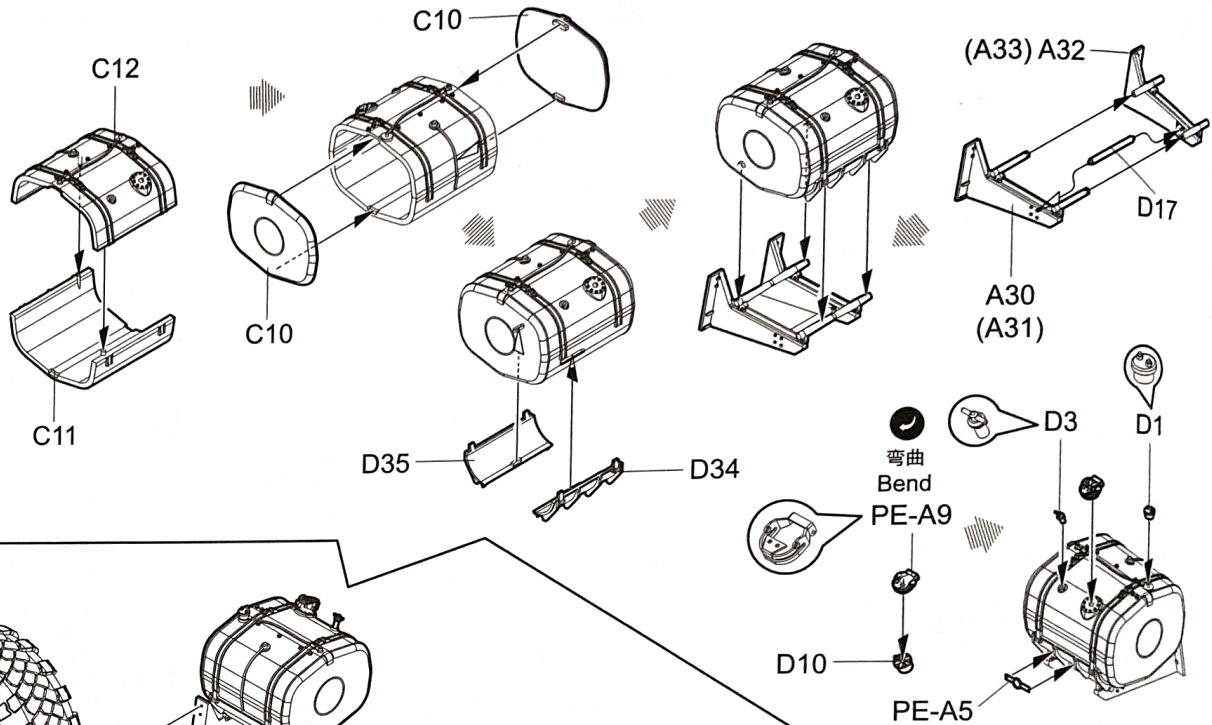
L22



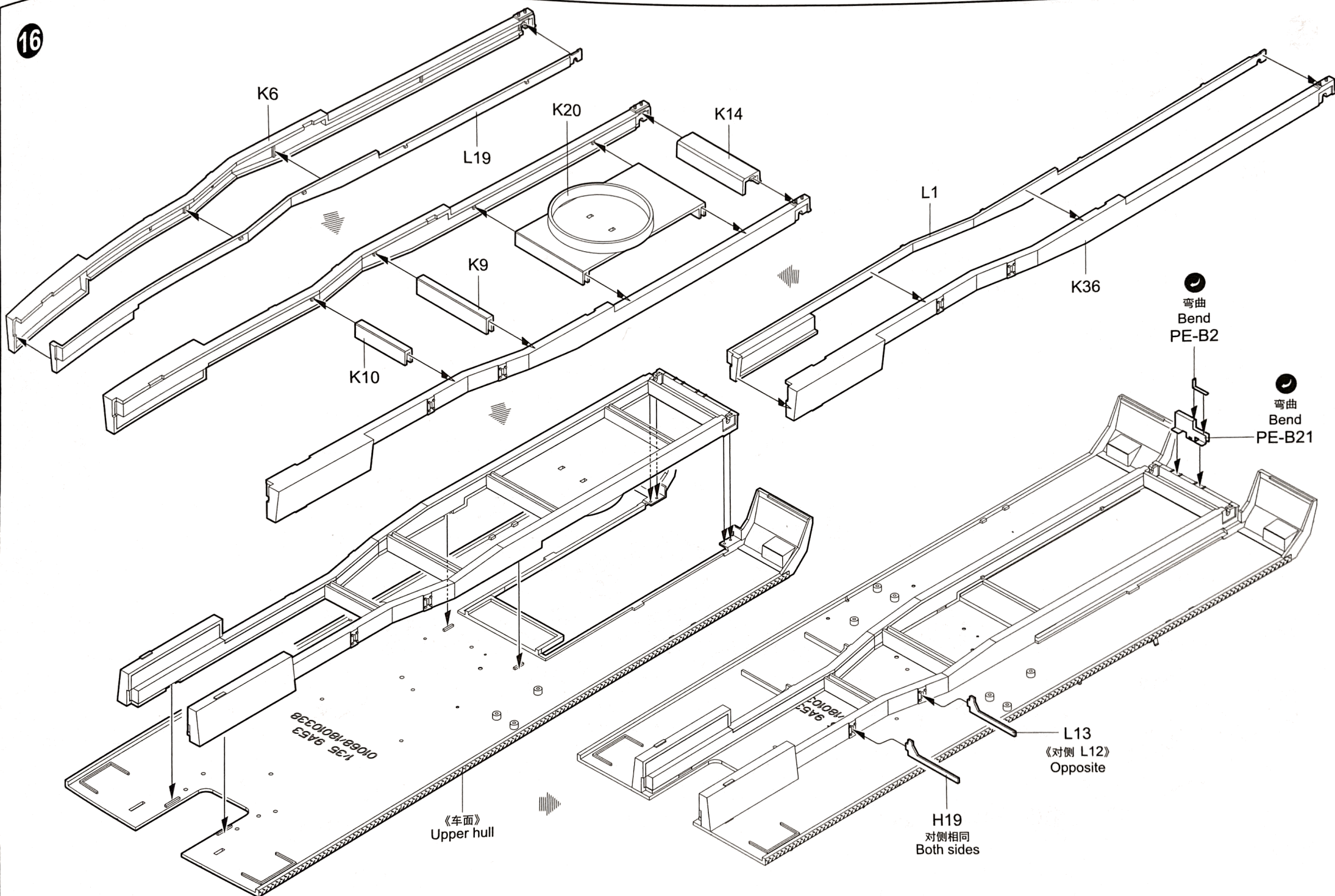
K34

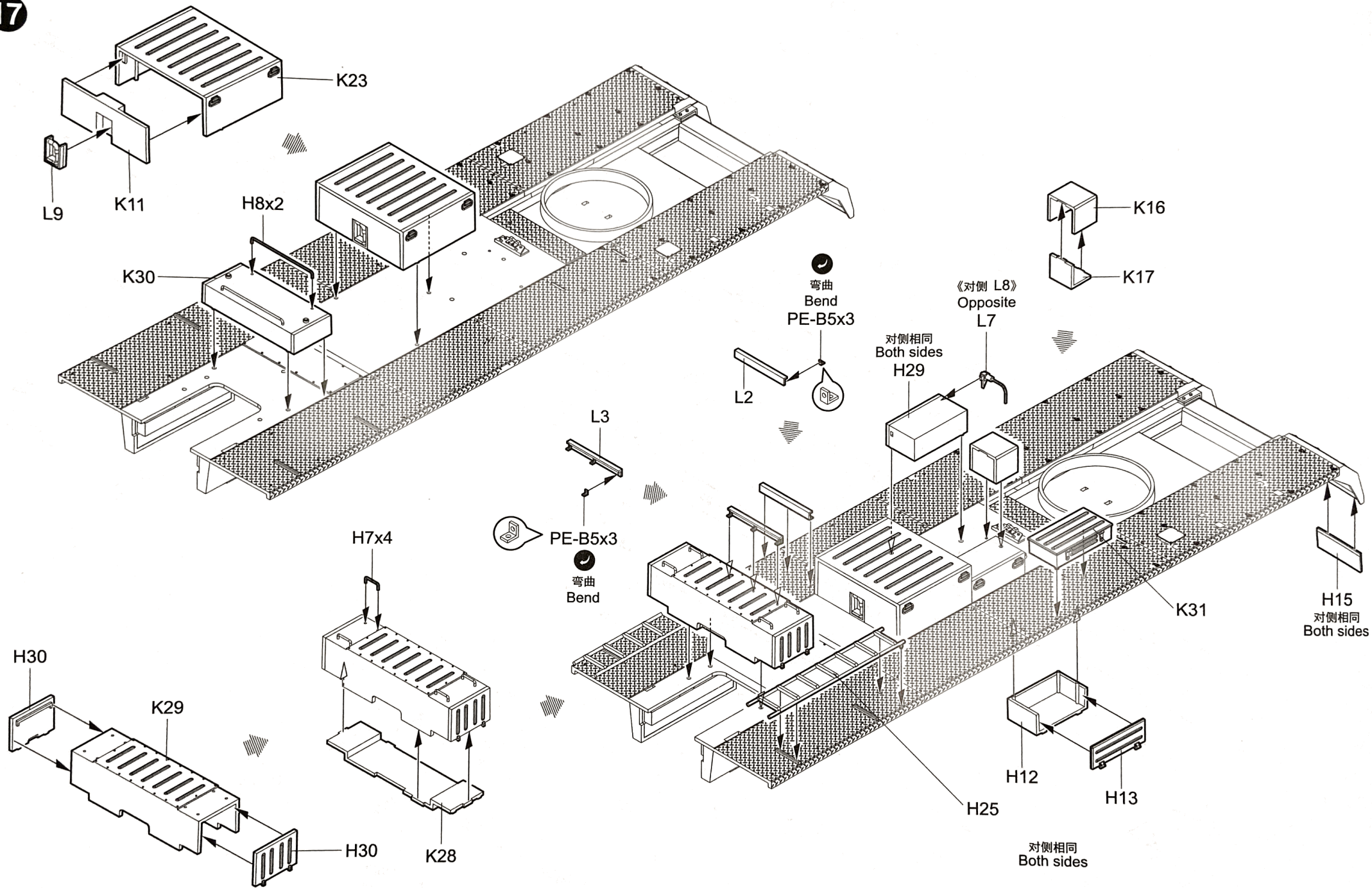


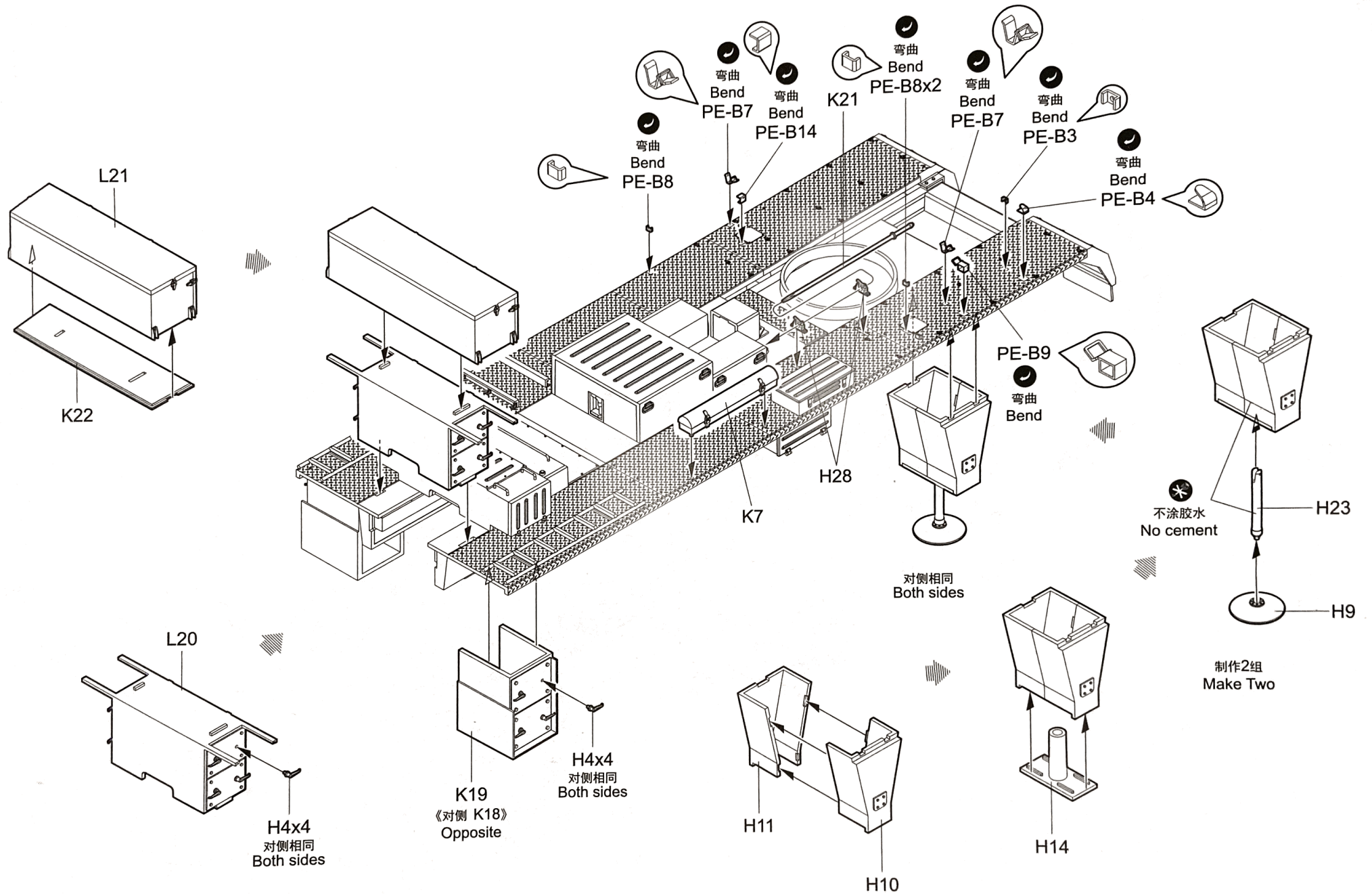
K37

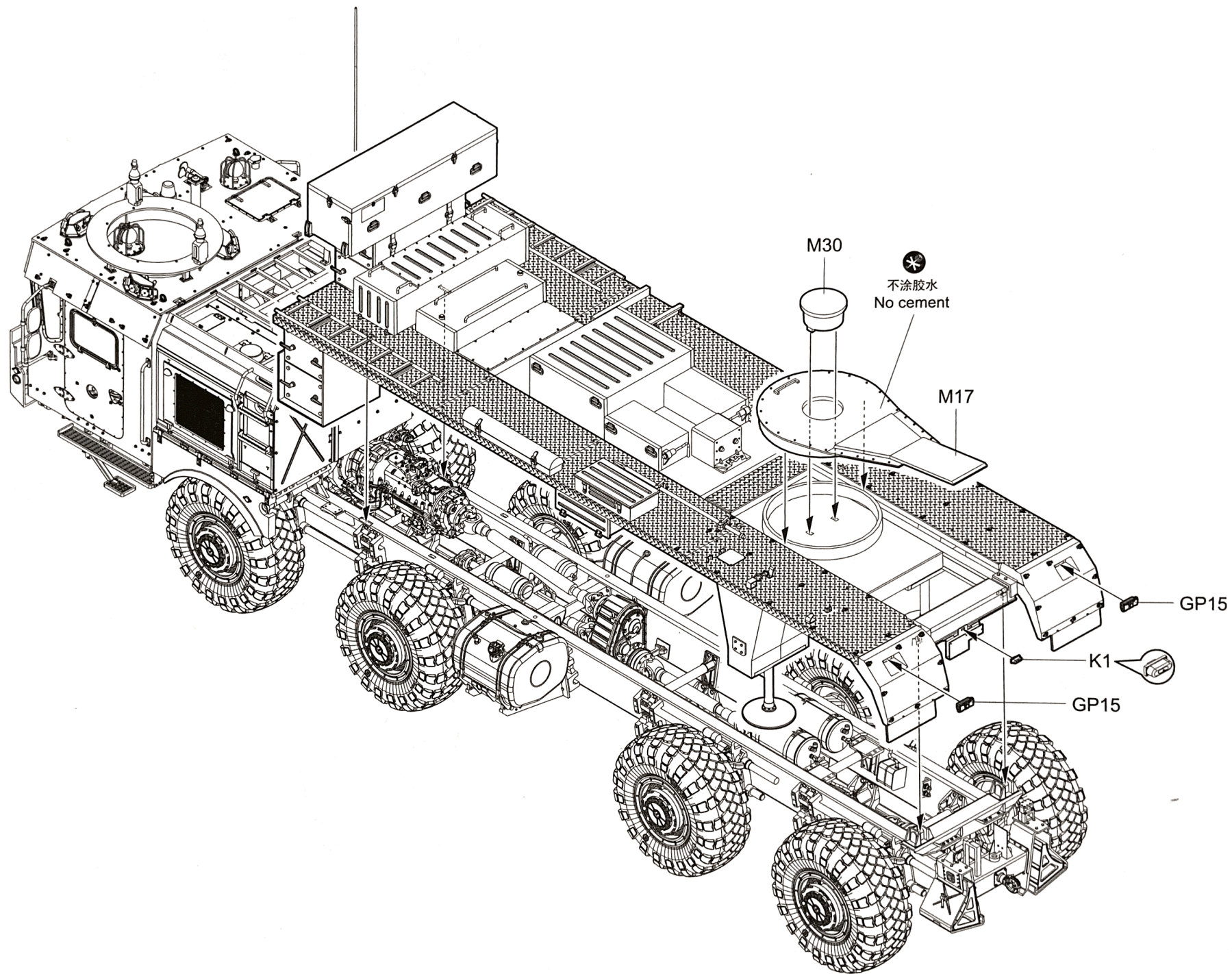


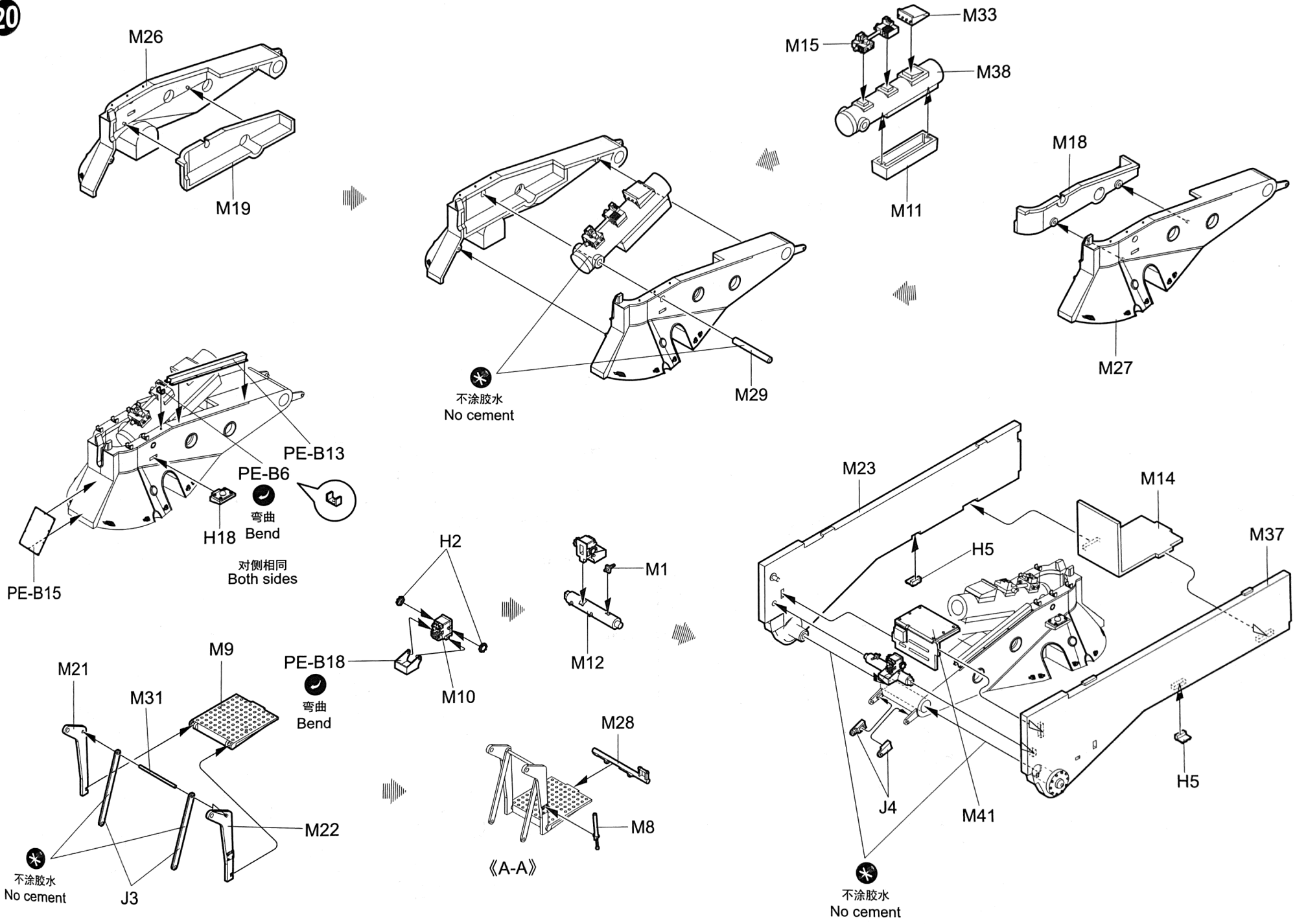
制作2组
Make Two

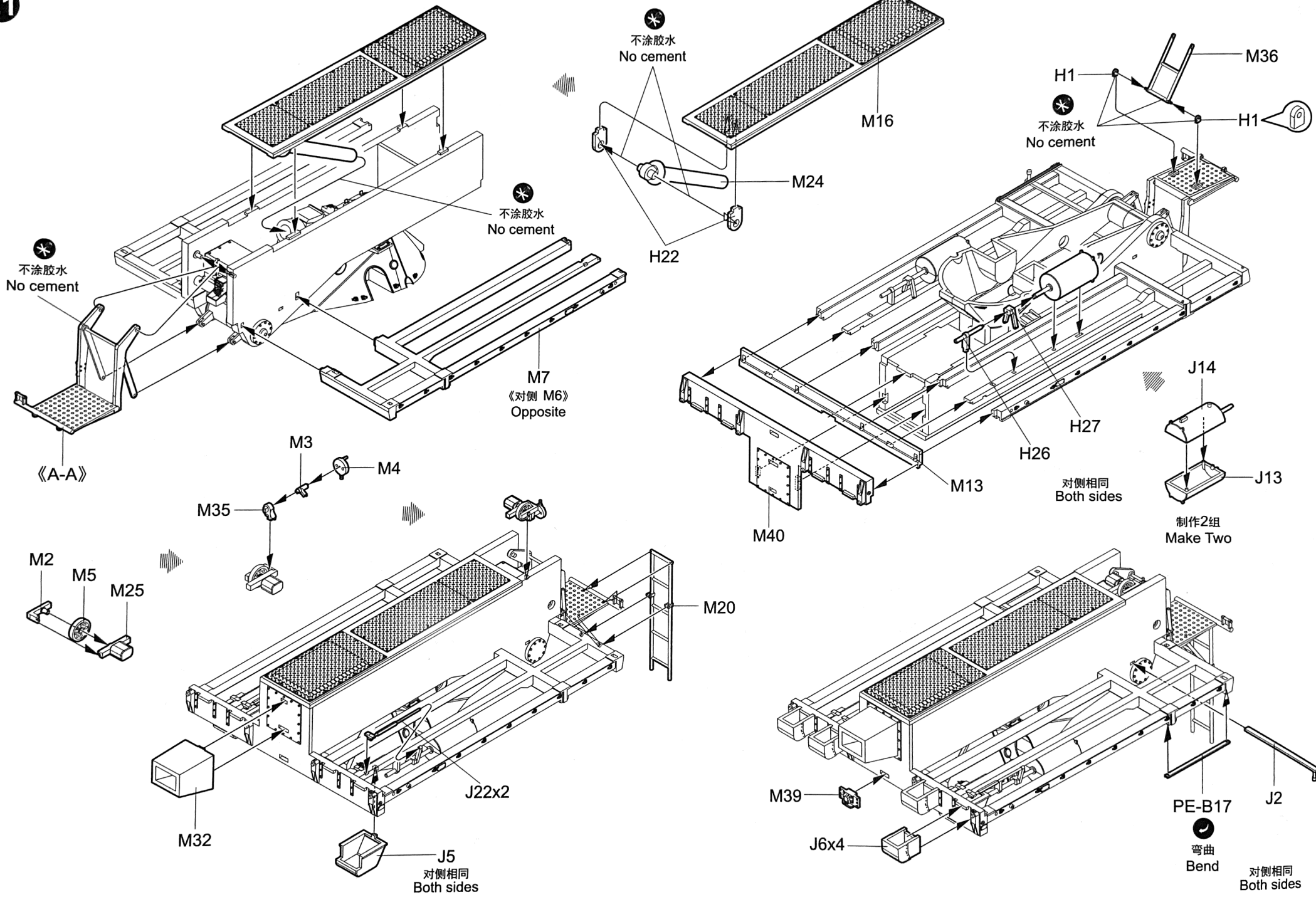


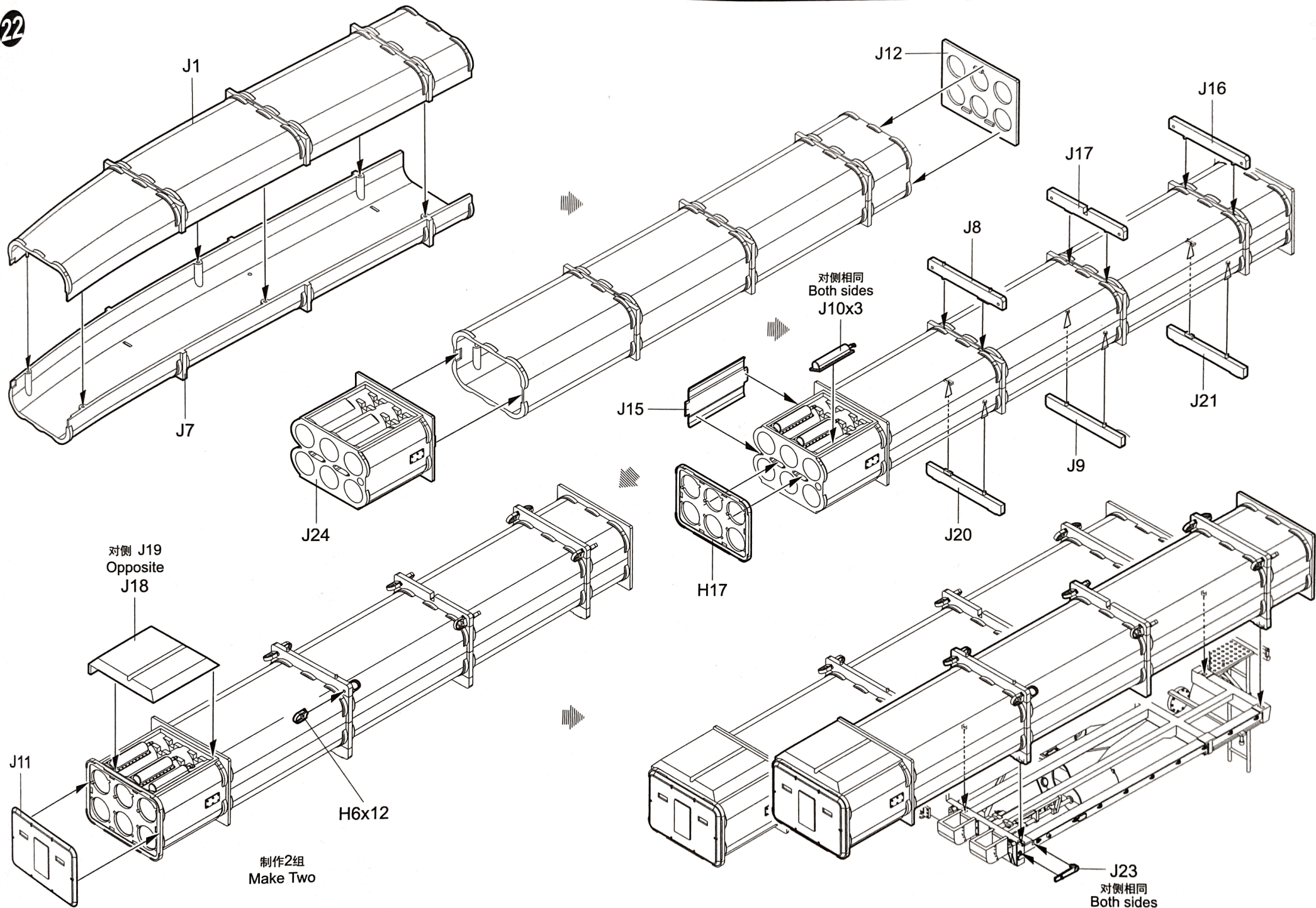


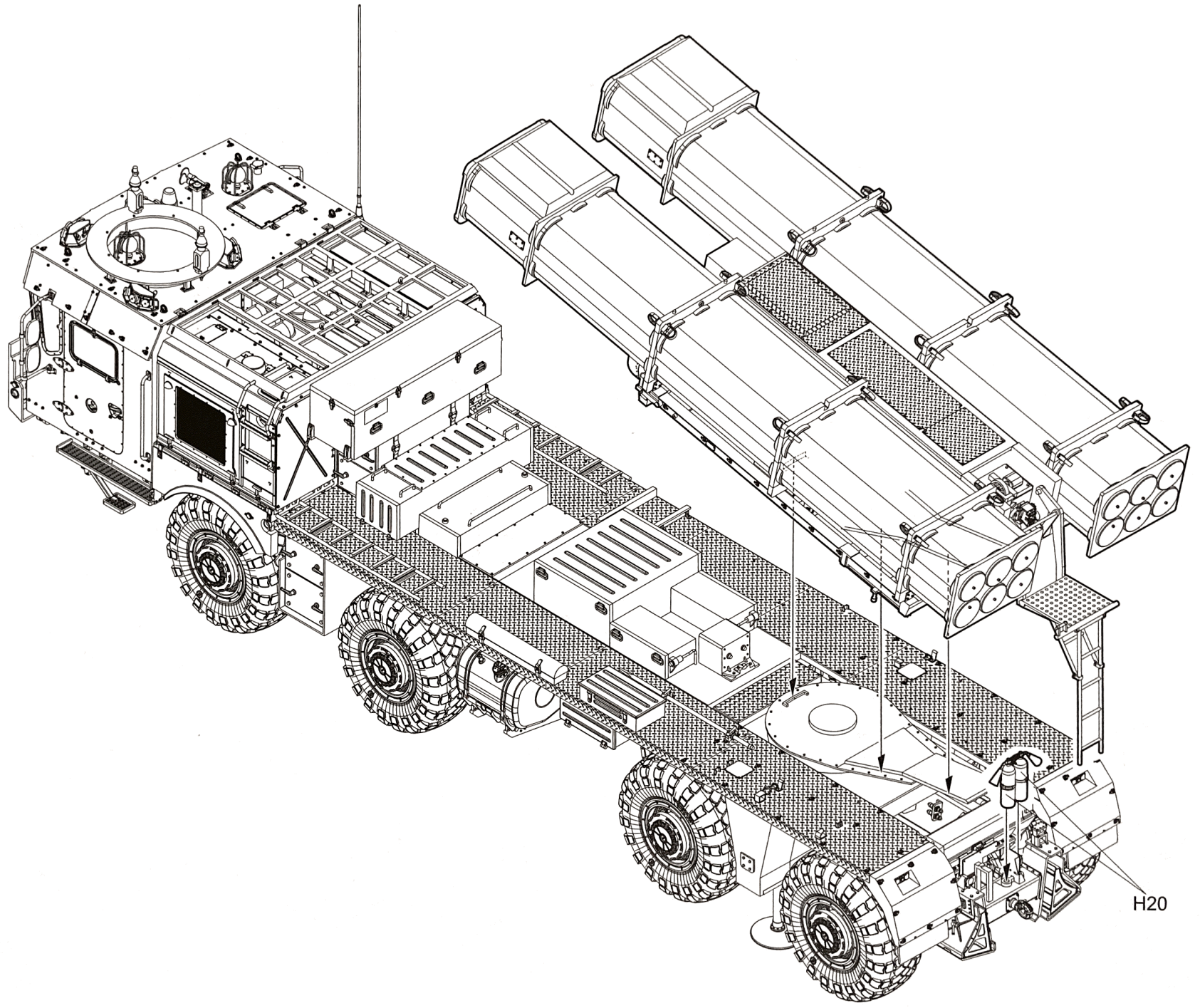




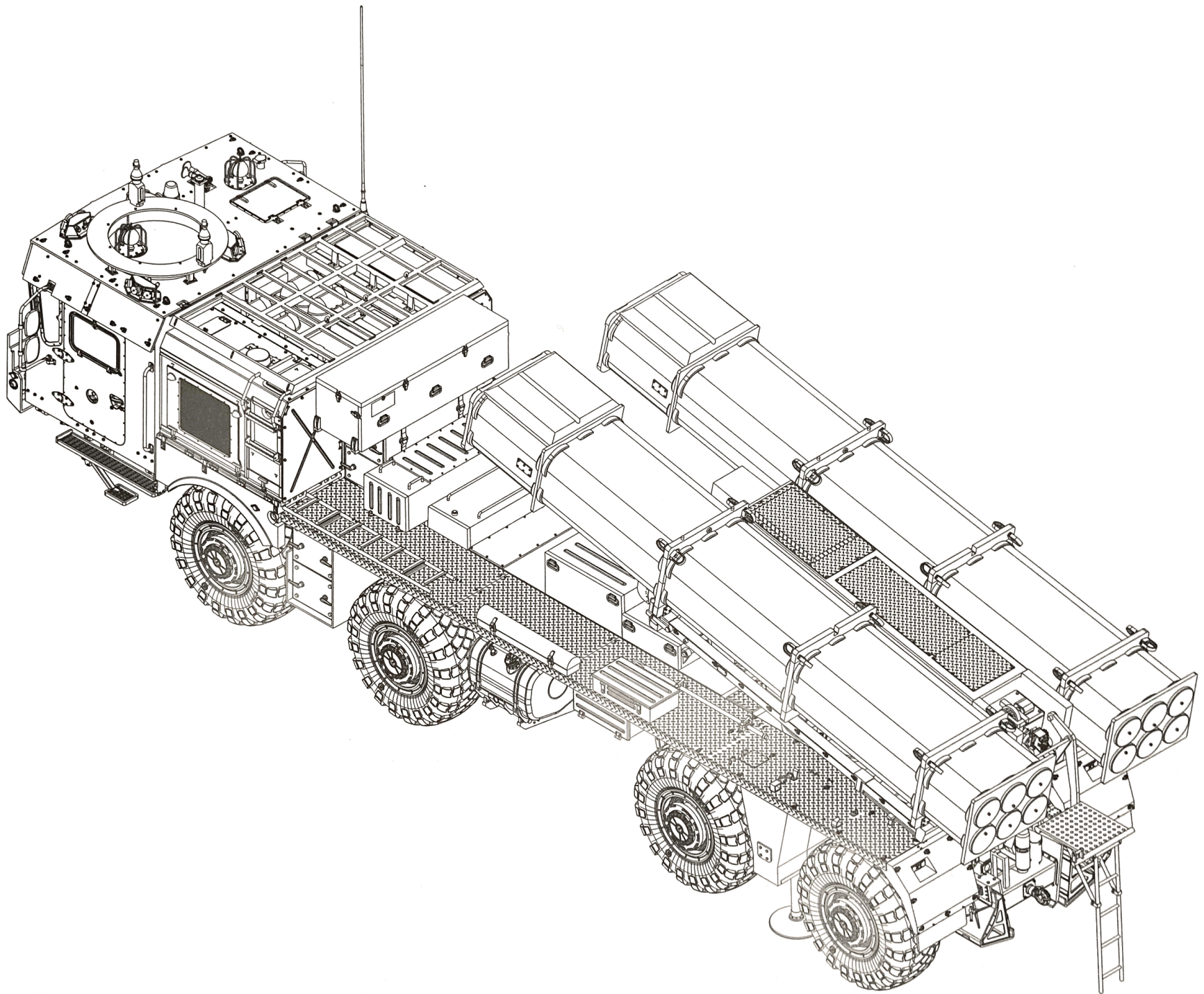


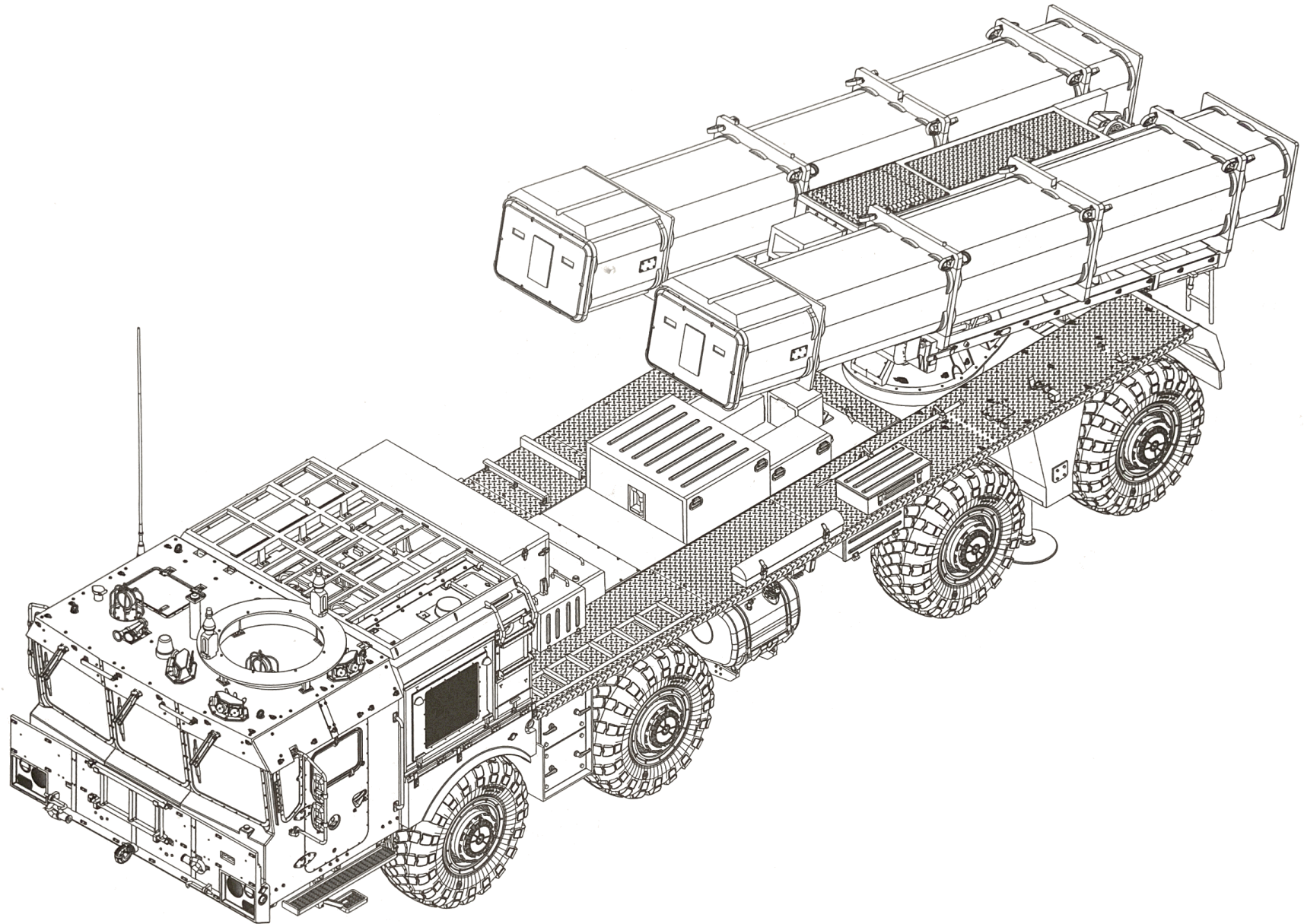






H20

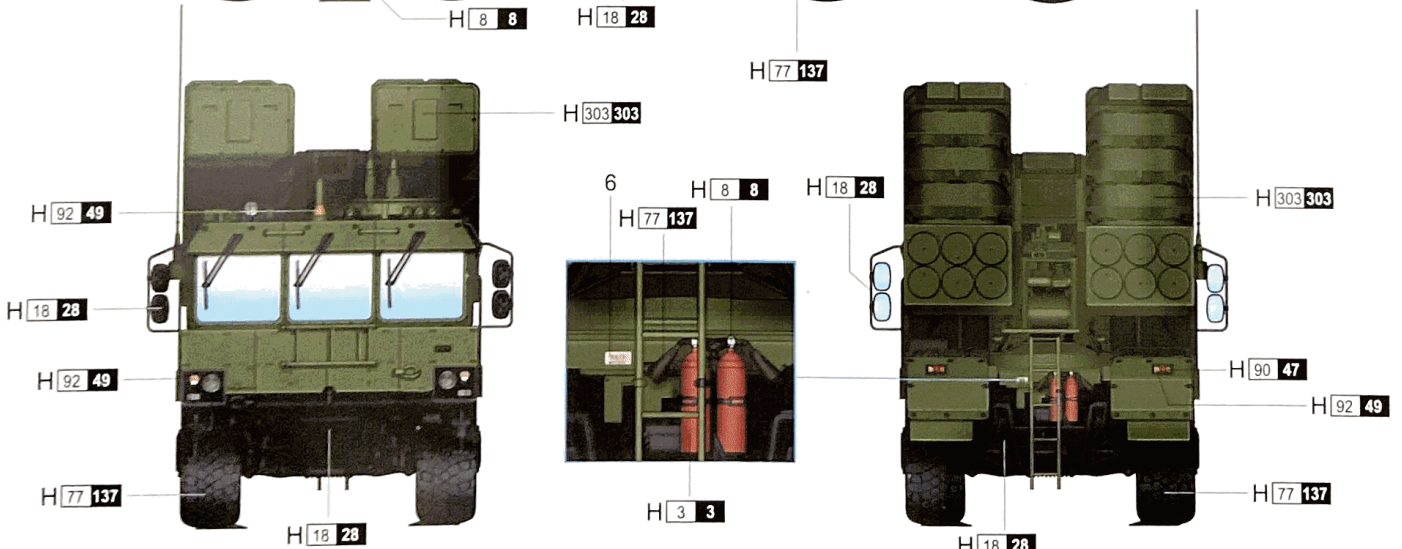
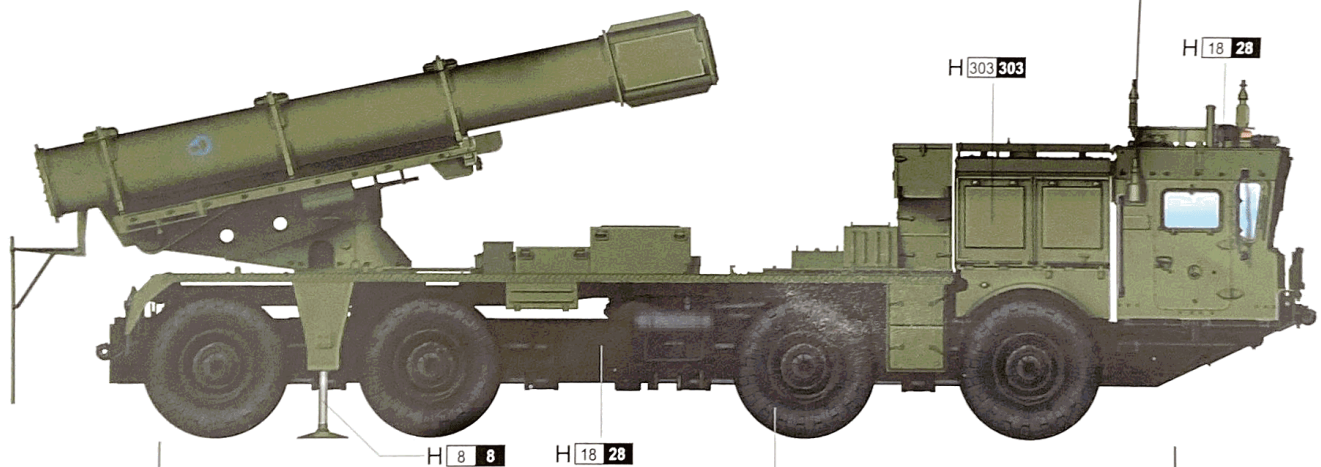
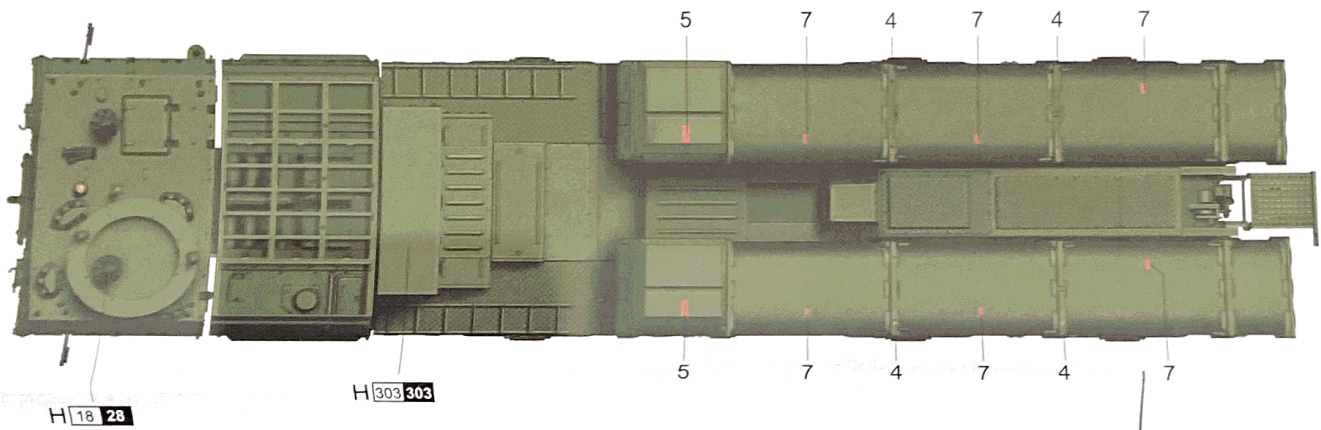
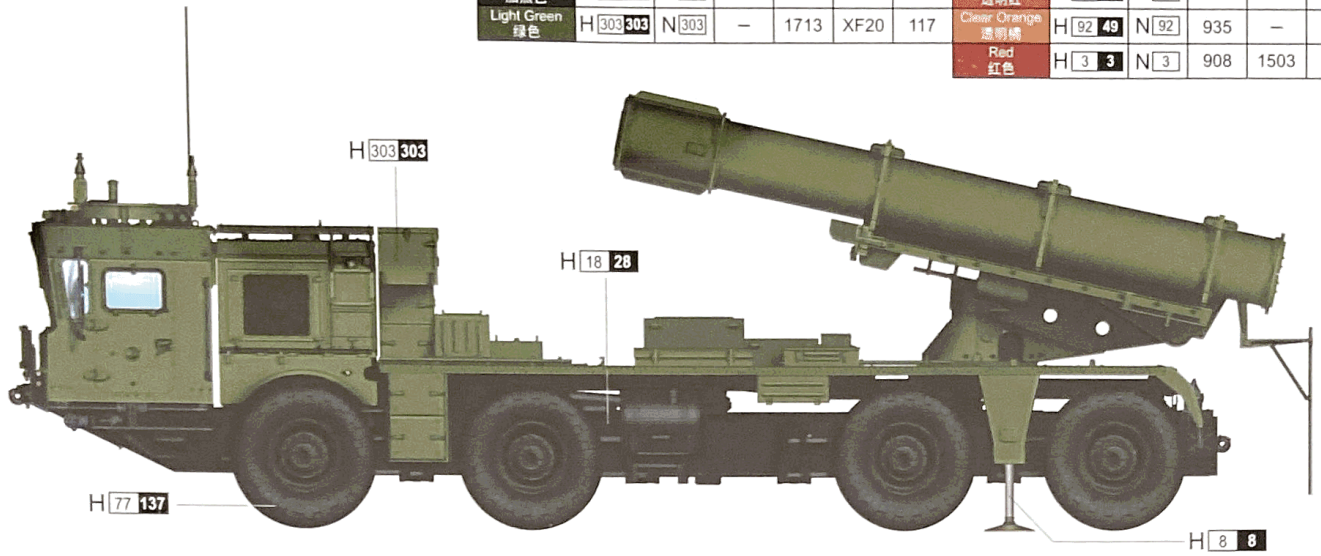




涂装同标贴指示 Painting & Marking guide

PAINT REFERENCE COLOR

Color	Mr.Hobby	Acrycion	Vallejo	Model Master	Tamiya	Humbrol	Color	Mr.Hobby	Acrycion	Vallejo	Model Master	Tamiya	Humbrol
Steel 黑铁色	H 18 28	N 18	864	1402	-	-	Silver 银色	H 8 8	N 8	997	1546	X11	11
Tire Black 胎黑色	H 77 137	N 77	-	-	-	-	Clear Red 透明红	H 90 47	N 90	934	-	X27	-
Light Green 绿色	H 303 303	N 303	-	1713	XF20	117	Clear Orange 透明橘	H 92 49	N 92	935	-	X26	-
							Red 红色	H 3 3	N 3	908	1503	X7	19



H AQUEOUS HOBBY COLOR M Mr. COLOR
N ACRYCION COLOR