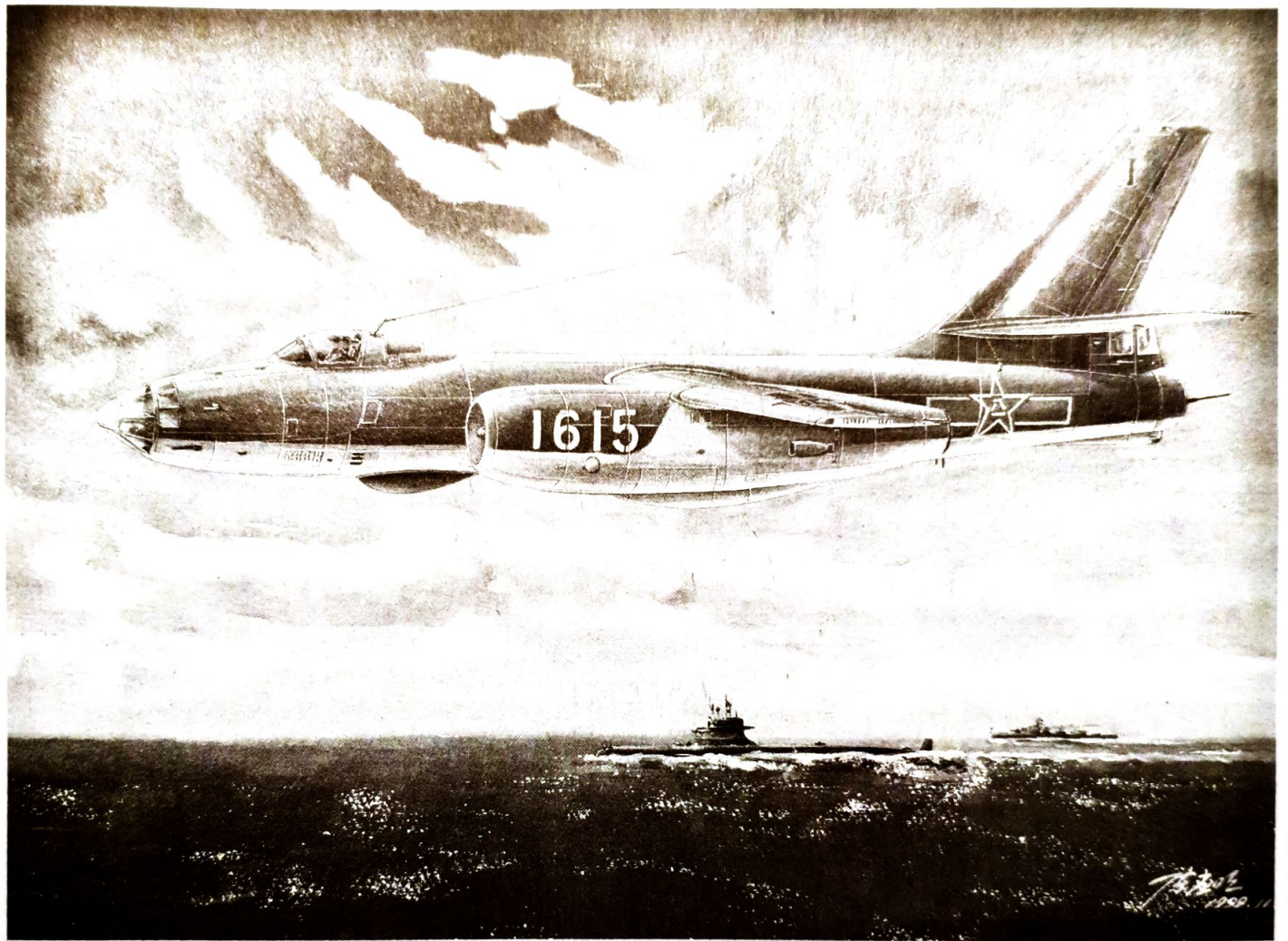


1:72 SCALE AIRCRAFT

THE PLAAF IL-28

中国伊尔-28轰炸机

ITEM NO.01604



颜色指示 COLORS

			XF-5	哑绿色	Flat Green
XF-65	原野灰	Field Grey	XF-62	橄榄褐	Olive Drab
XF-56	金属灰色	Metallic Grey	XF-54	暗海灰	Dark Sea Grey
XF-49	黄褐色	Khaki	X-28	暗绿色	Dark Green
XF-1	哑黑色	Flat Black	X-25	透明绿	Clear Green
XF-2	哑白色	Flat White	X-27	透明红	Clear Red
X-11	铬银色	Chrome Silver	X-10	金属枪色	Gun Metal
X-26	净桔色	Clear Orange	XF-12	明灰白色	J.N.Grey
XF-10	哑棕色	Flat Brown	XF-23	青蓝色	Light Blue

必备工具
Required



水口剪
Side Cutters



刀片
Knife



钻头
Pin Vise



剪刀
Scissors



-字螺丝批
(-)Screwdriver



十字螺丝批
(+)Screwdriver



镊子
Tweezers



美工刀
Utility Knife

符号表示
Mark



涂胶水
Cement



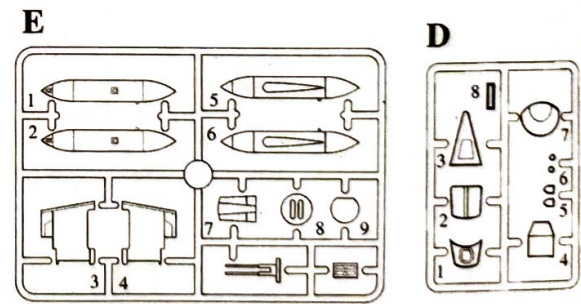
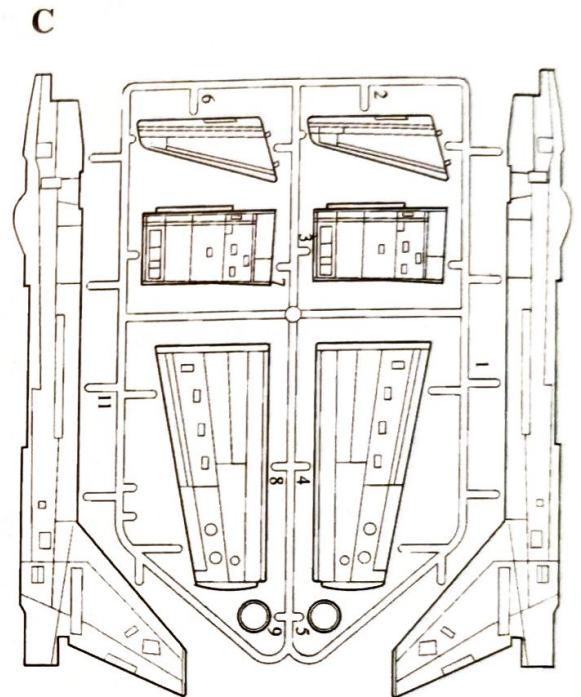
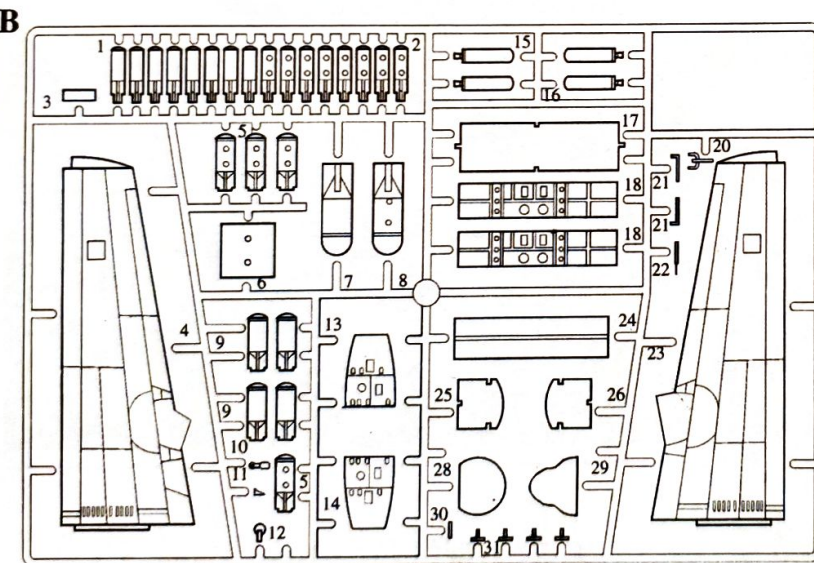
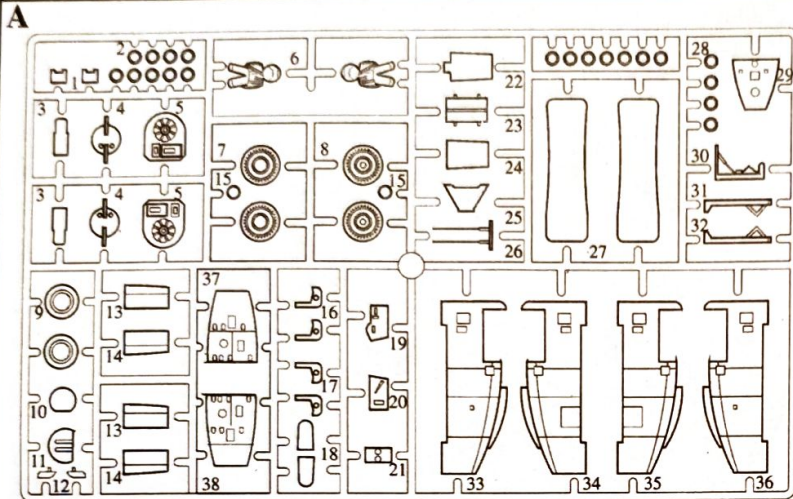
不涂胶水
No Cement



水贴纸
Decal



颜色指示
Paint Colors



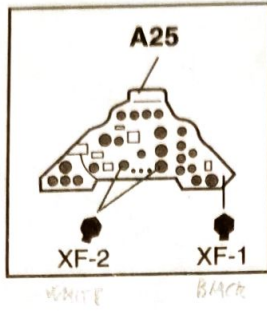
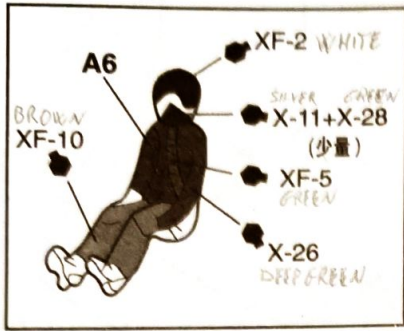
水贴纸的使用:

1. 从水贴纸上剪下印花;
2. 将印花放入温水中浸10秒, 然后放在干净布上。
3. 拿着印花纸板将印花移到模型上;
4. 手指蘸水将印花移到适当的位置;
5. 用软布轻压印花直至水干, 汽泡消失。

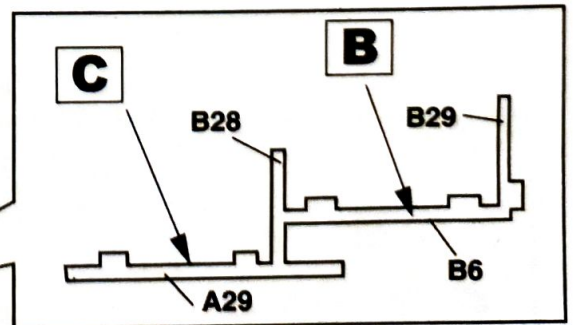
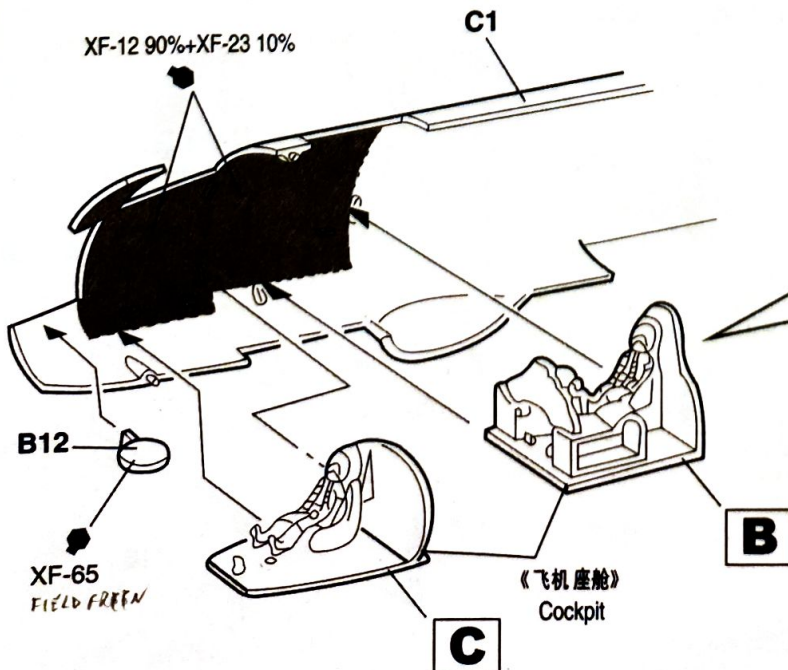
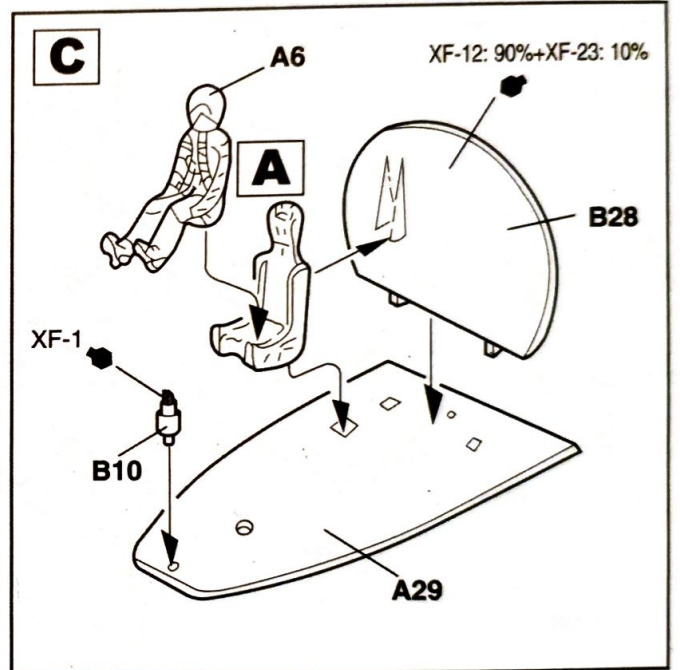
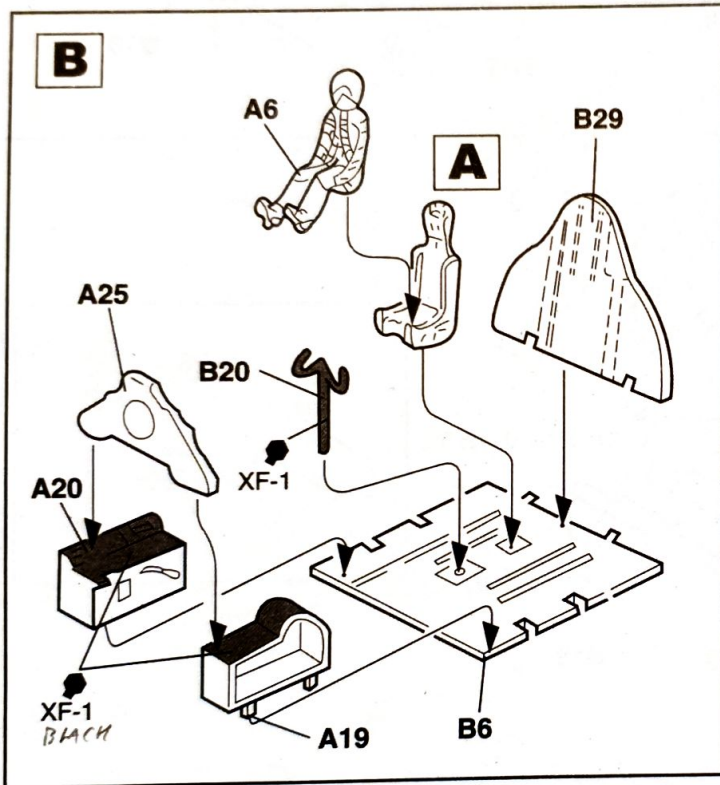
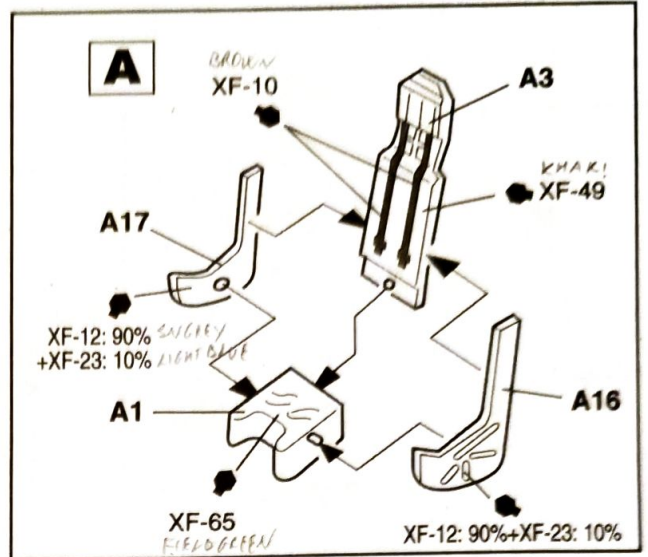
DECAL APPLICATION

1. Cut off decal from sheet.
2. Dip the decal in tepid water for about 10 sec. and place on a clean cloth.
3. Hold the backing sheet edge and slide decal onto the model.
4. Move decal into position by wetting decal with finger.
5. Press decal gently down with a soft cloth until excess water and air bubbles are gone.

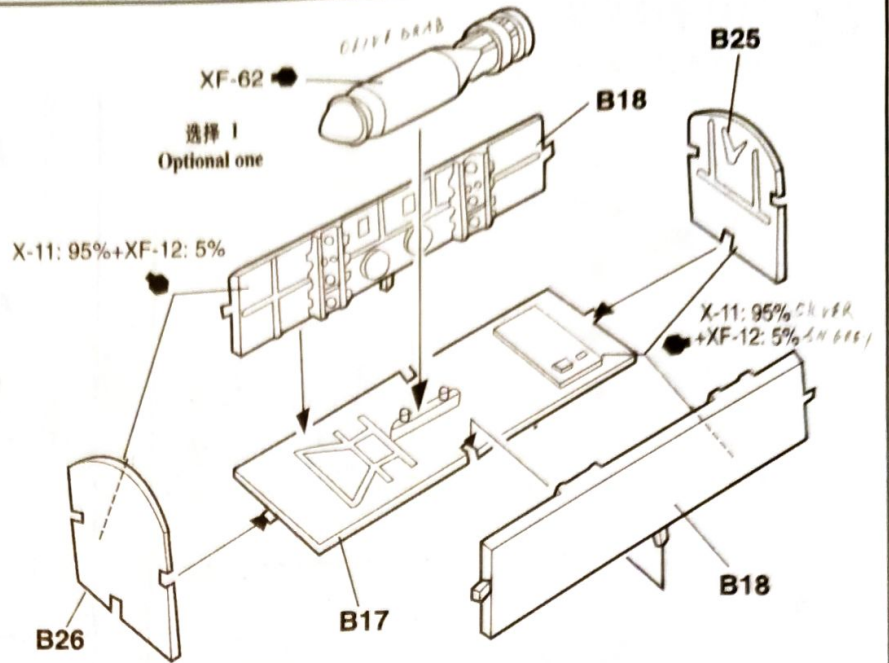
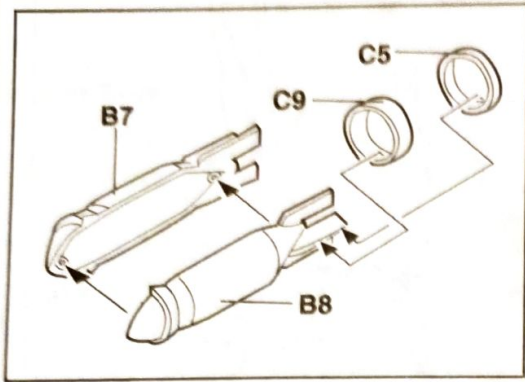
1 飞机座舱装配 Cockpit assembly



制作2套 Make two



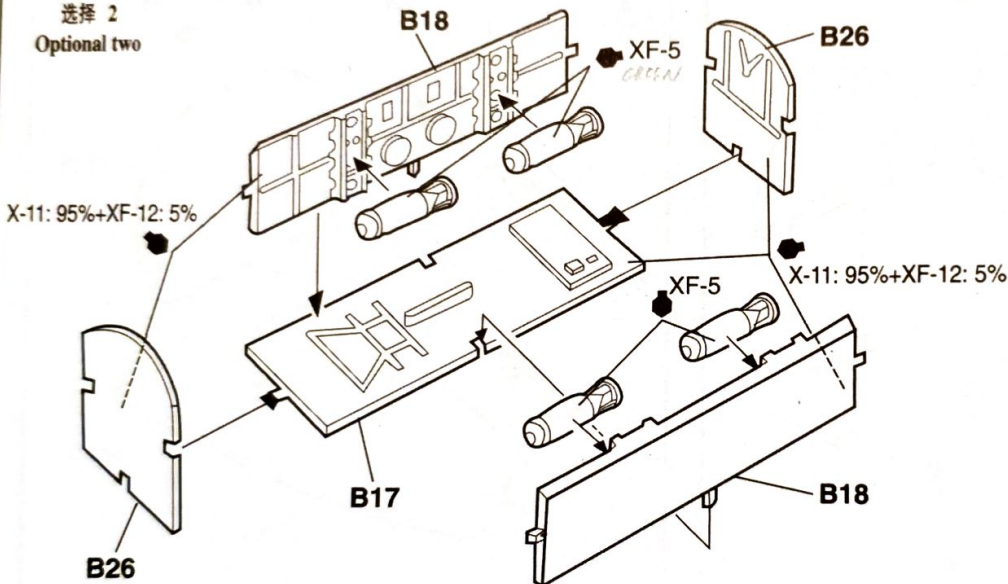
2 弹舱装配 Cartridge cabin



X-11: 95%+XF-12: 5%

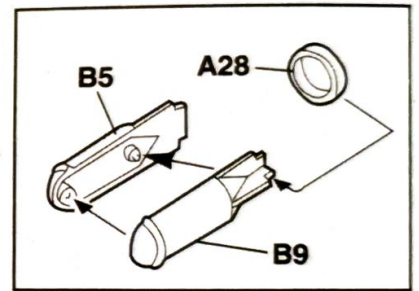
X-11: 95%
+XF-12: 5%

选择 2 Optional two



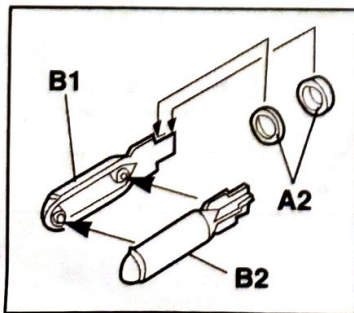
X-11: 95%+XF-12: 5%

X-11: 95%+XF-12: 5%

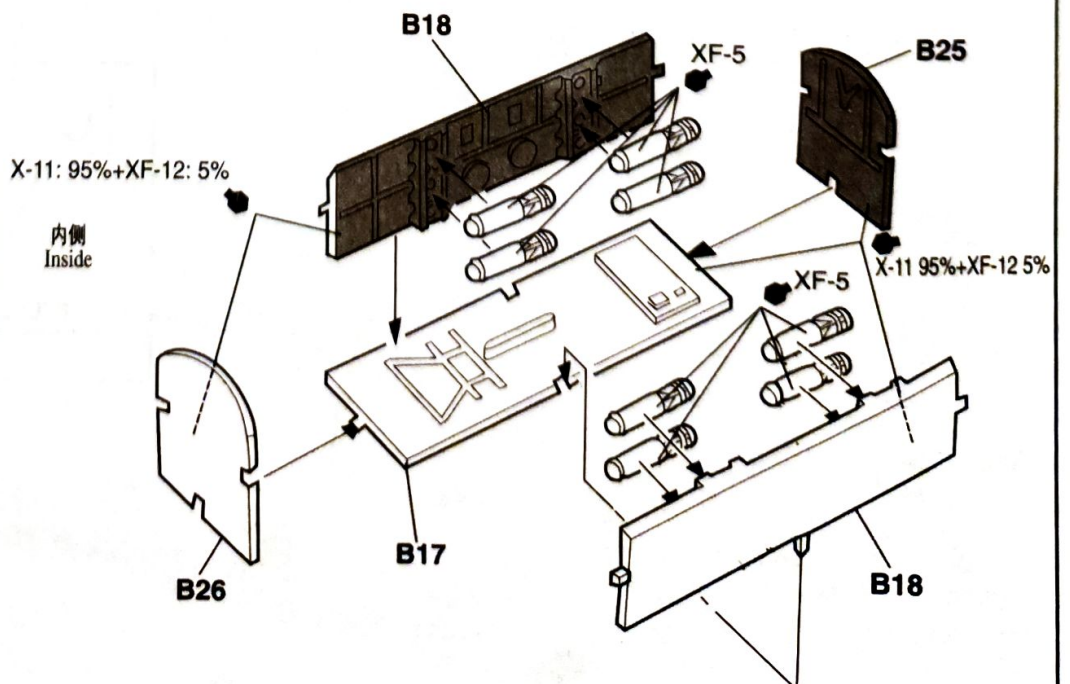


制作4套
Make four

选择 3 Optional three



制作8套
Make eight

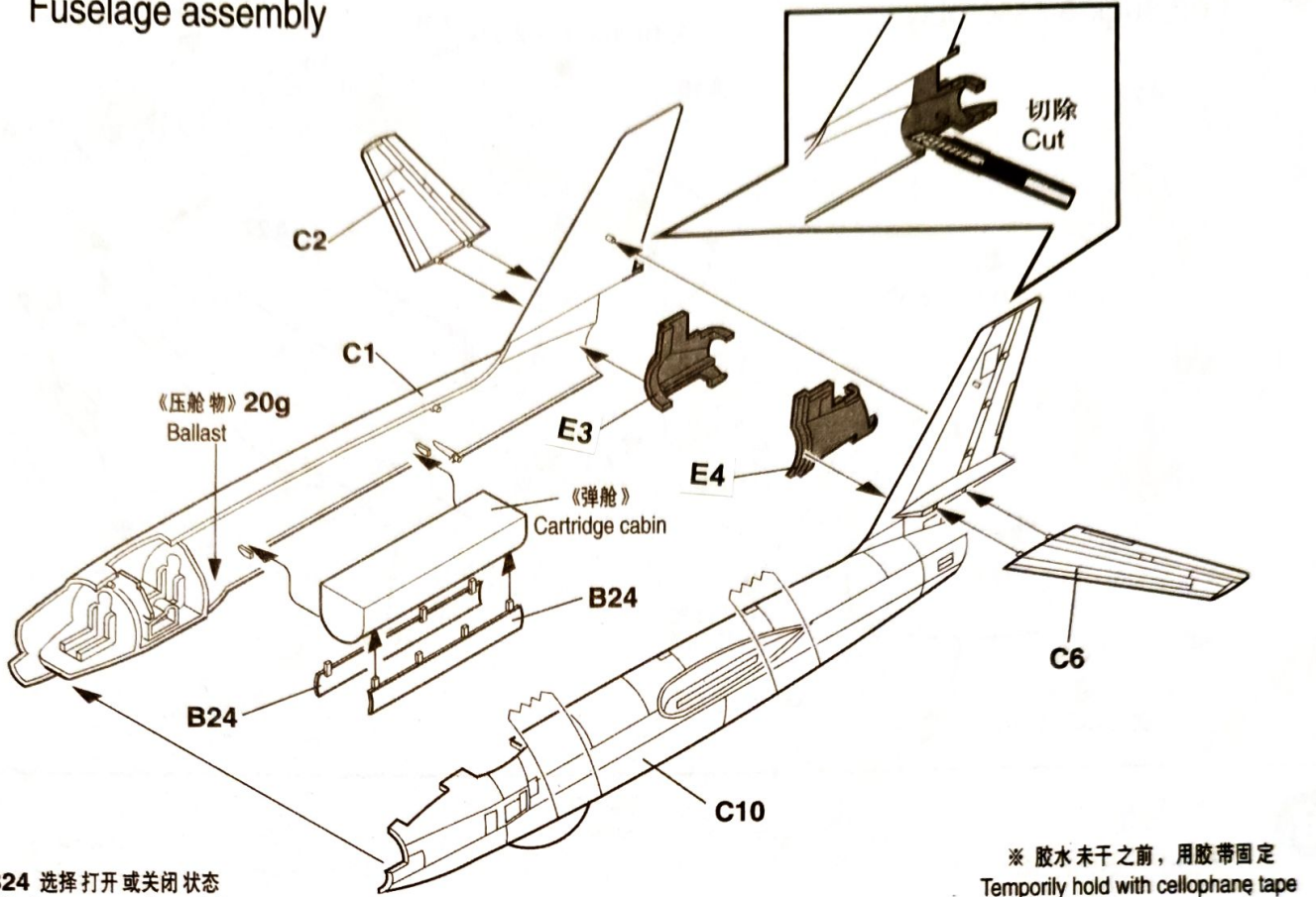


X-11: 95%+XF-12: 5%

X-11 95%+XF-12 5%

内侧
Inside

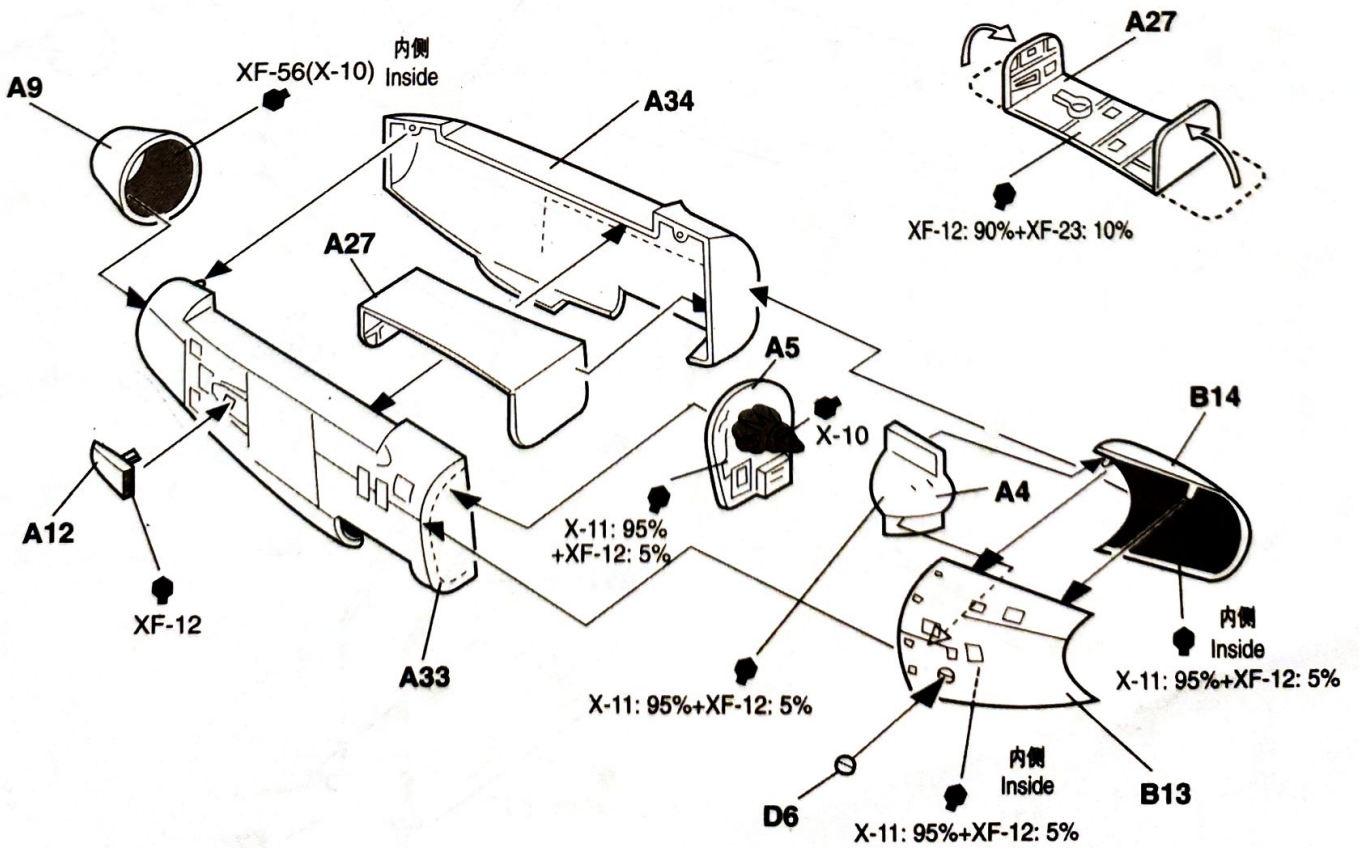
3 机身装配 Fuselage assembly



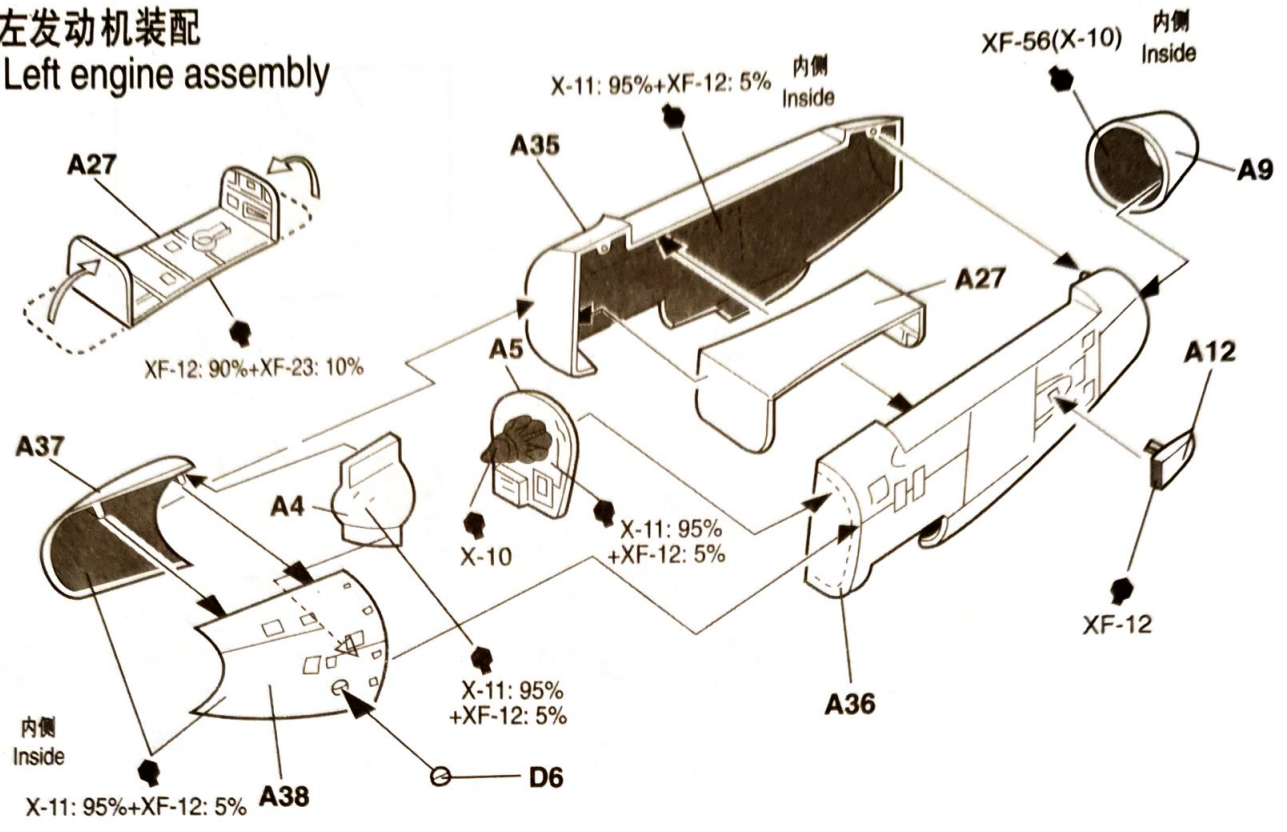
※ B24 选择打开或关闭状态
B24 Choose open or close state

※ 胶水未干之前, 用胶带固定
Temporarily hold with cellophane tape

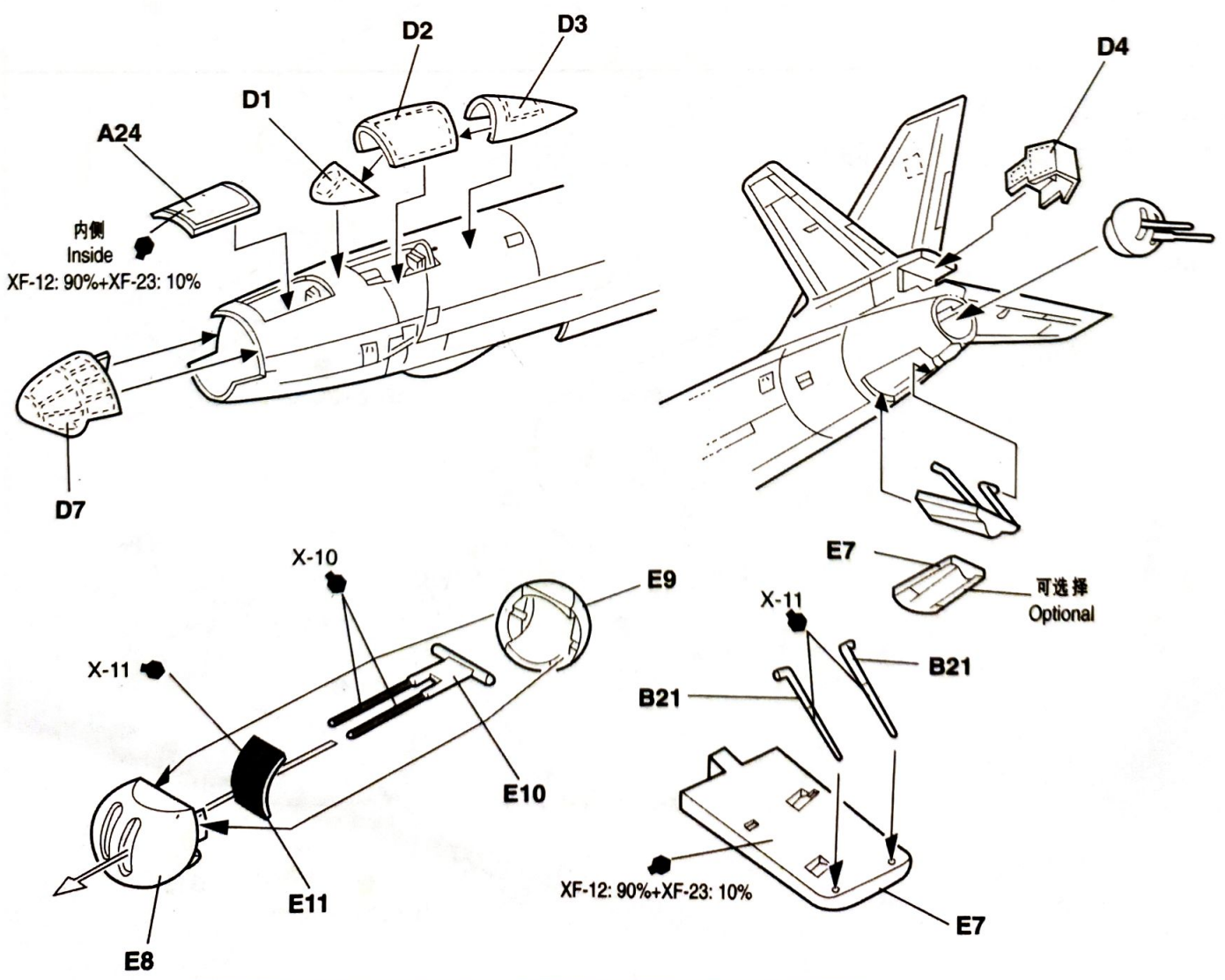
4 右发动机装配 Right engine assembly



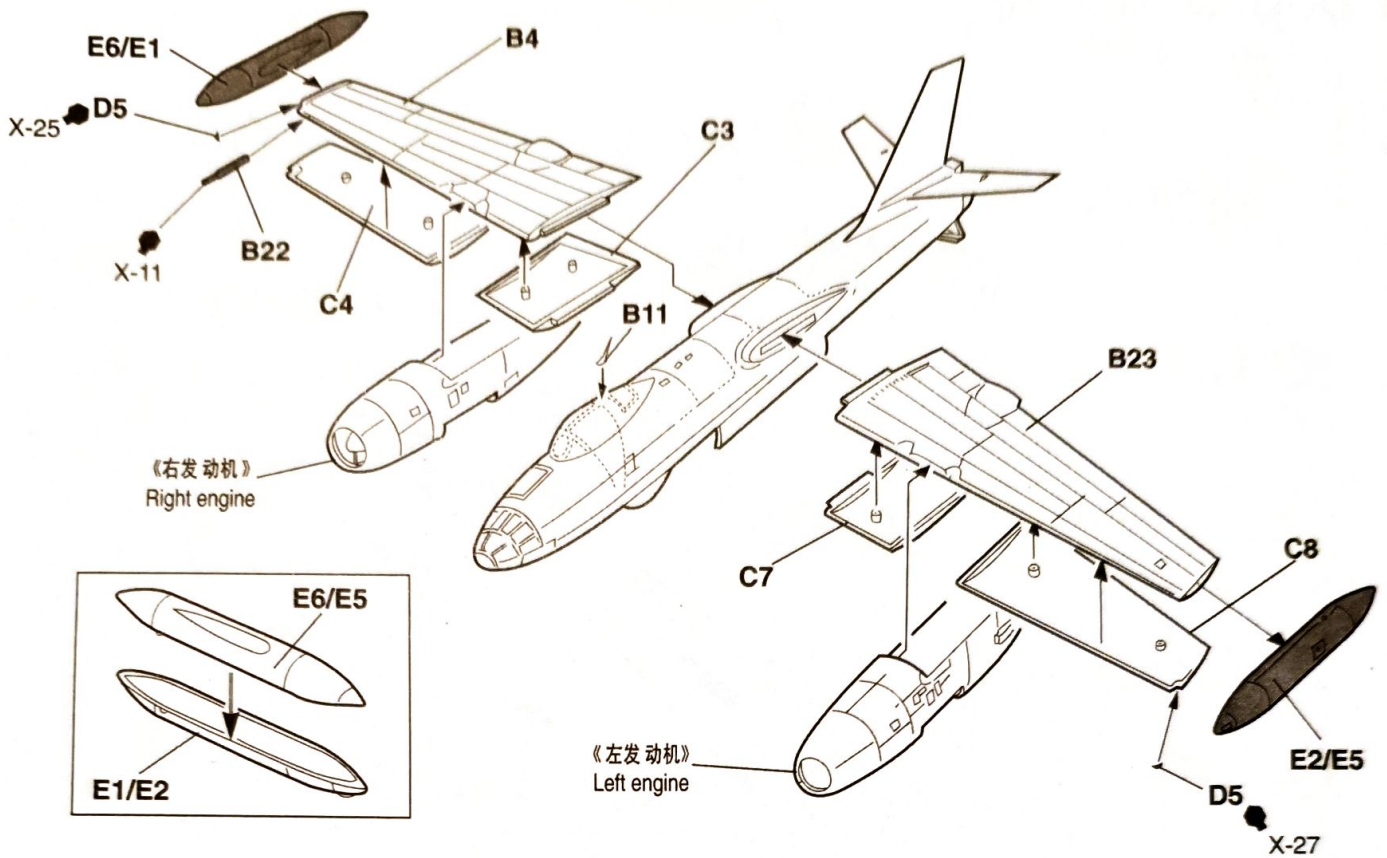
5 左发动机装配 Left engine assembly



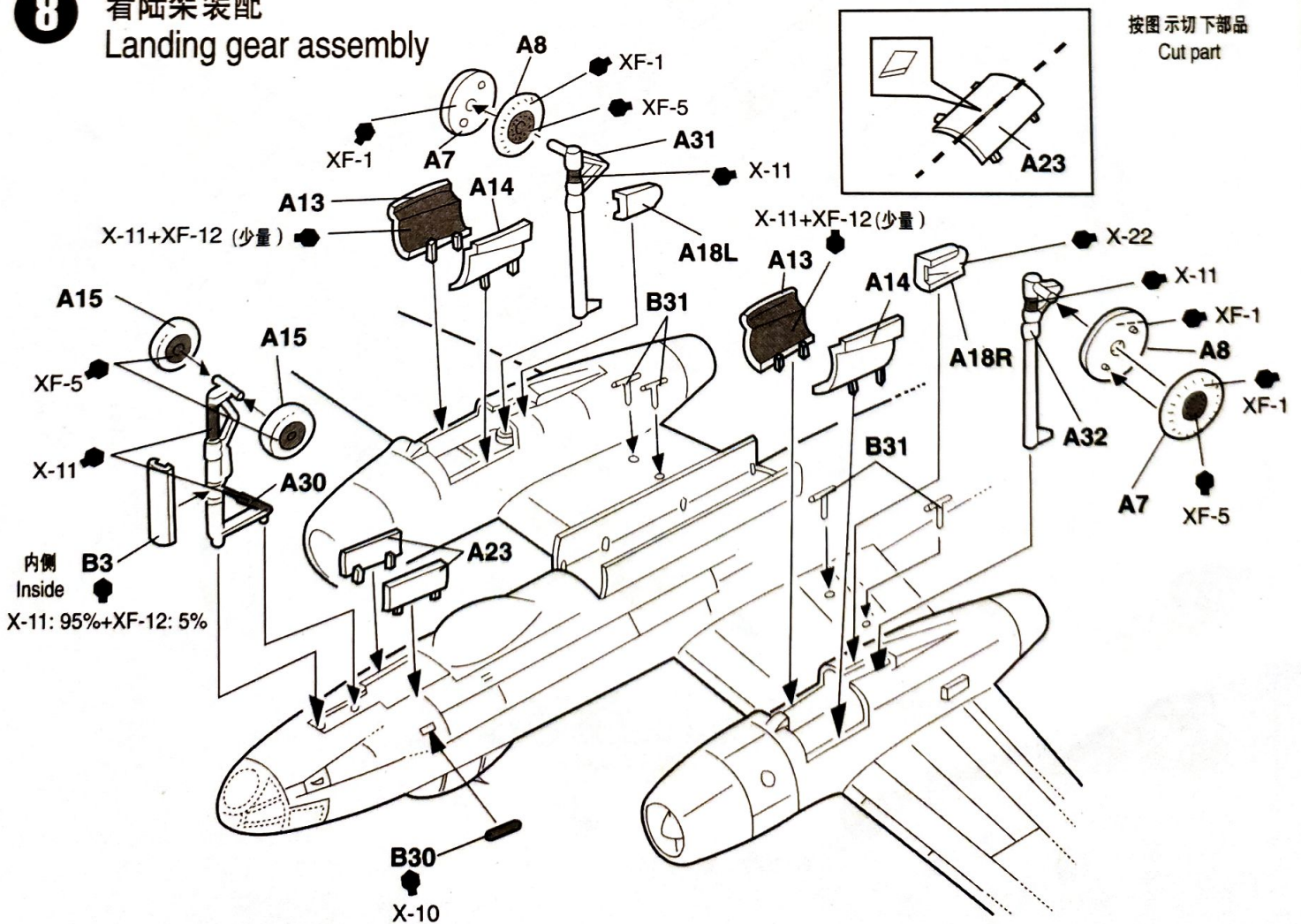
6 机体后部 Rear fuselage



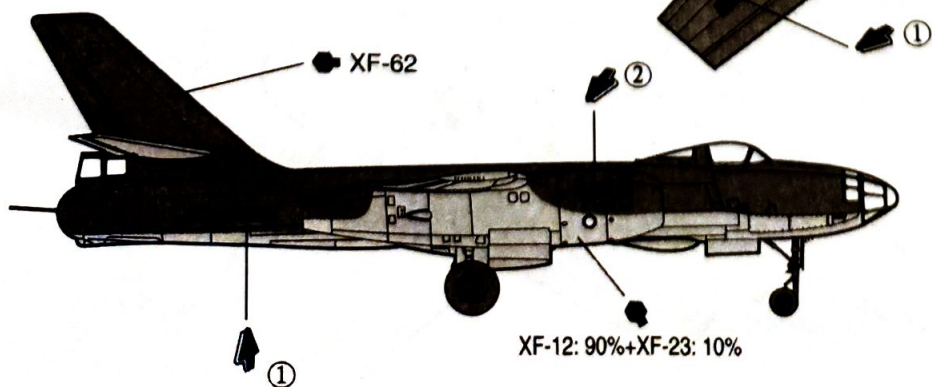
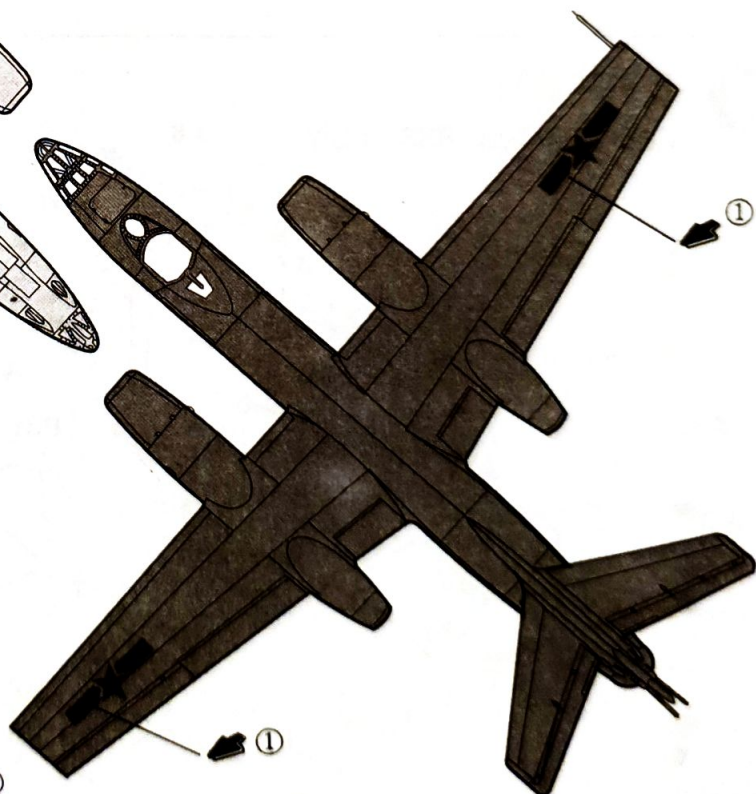
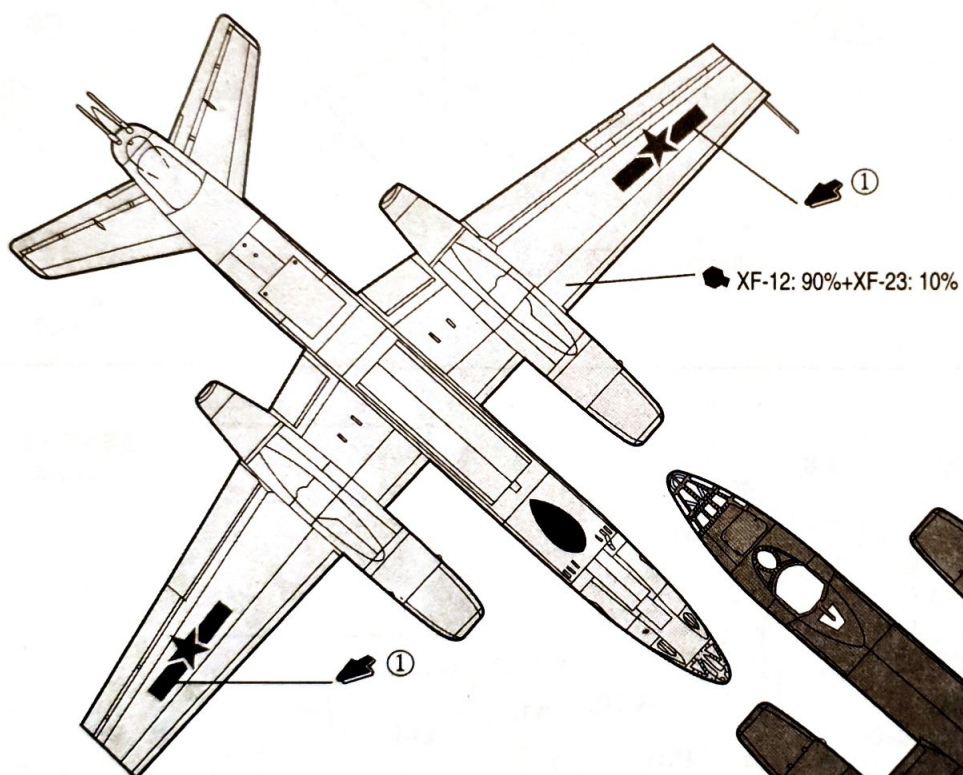
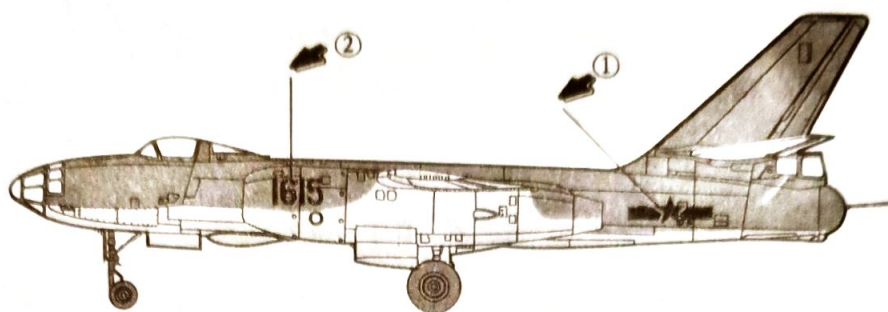
7 机翼装配 Wing assembly



8 着陆架装配 Landing gear assembly



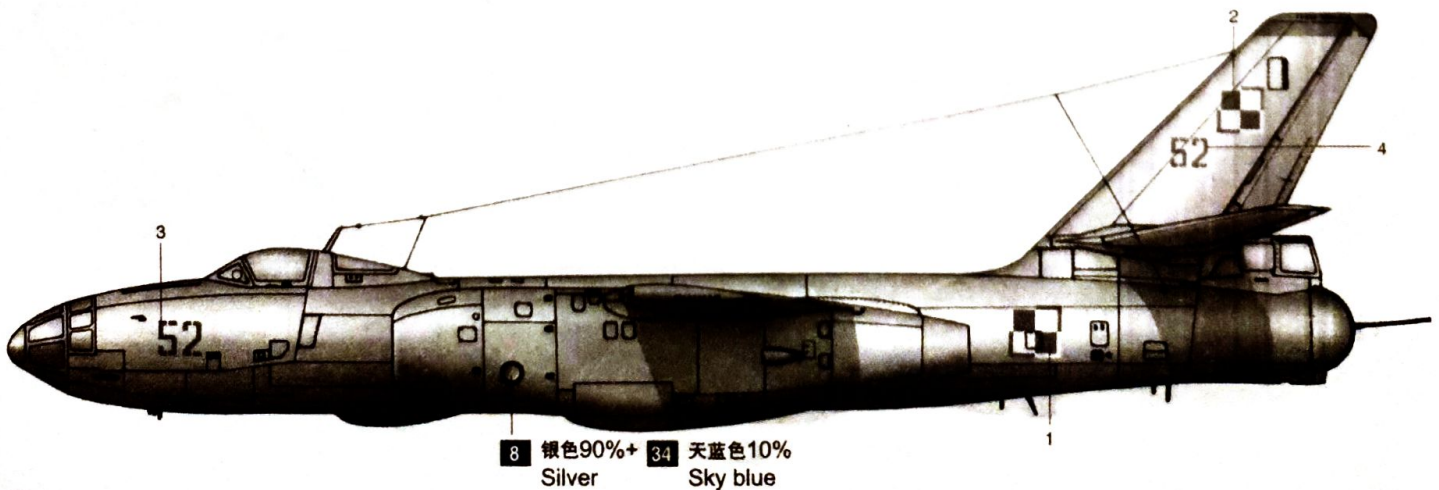
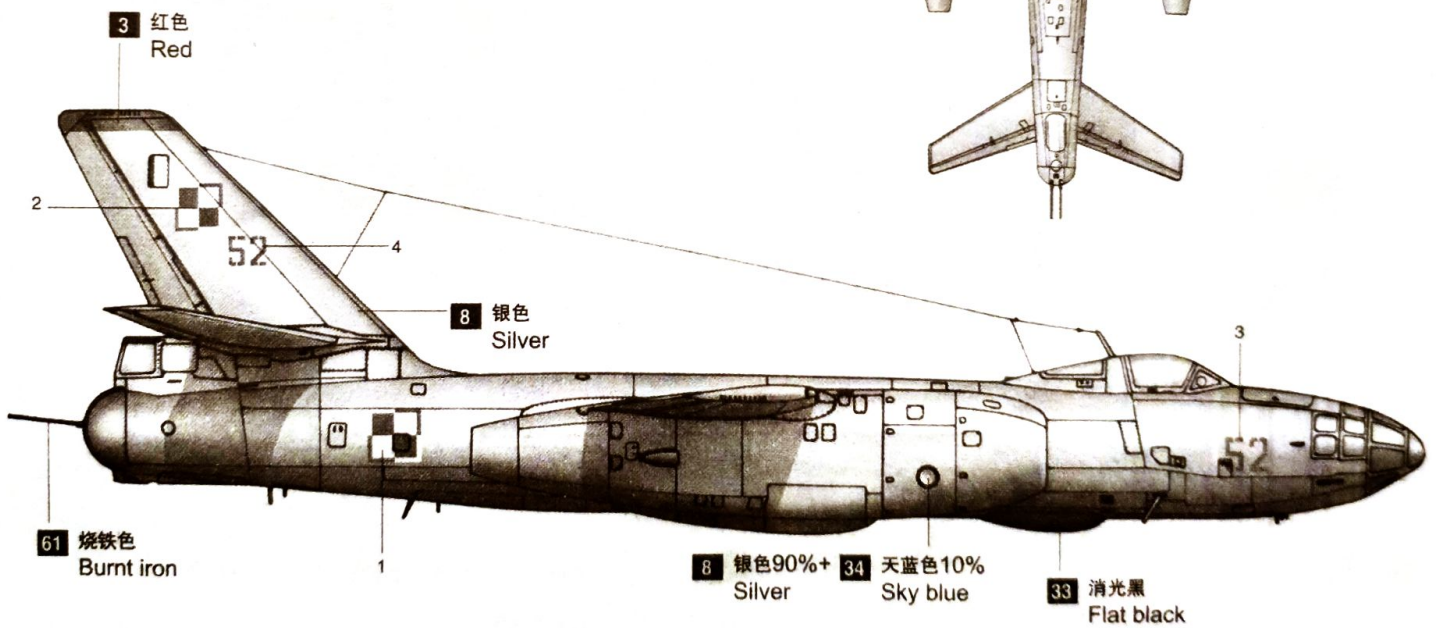
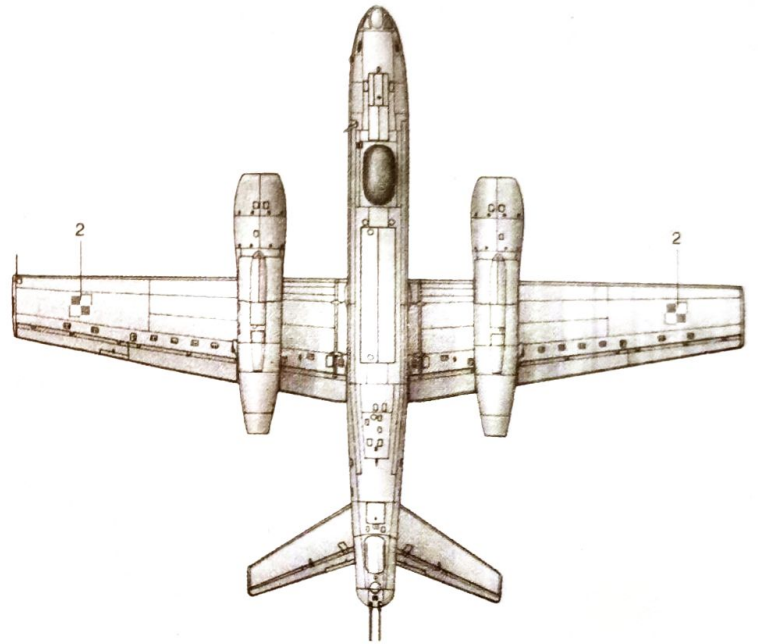
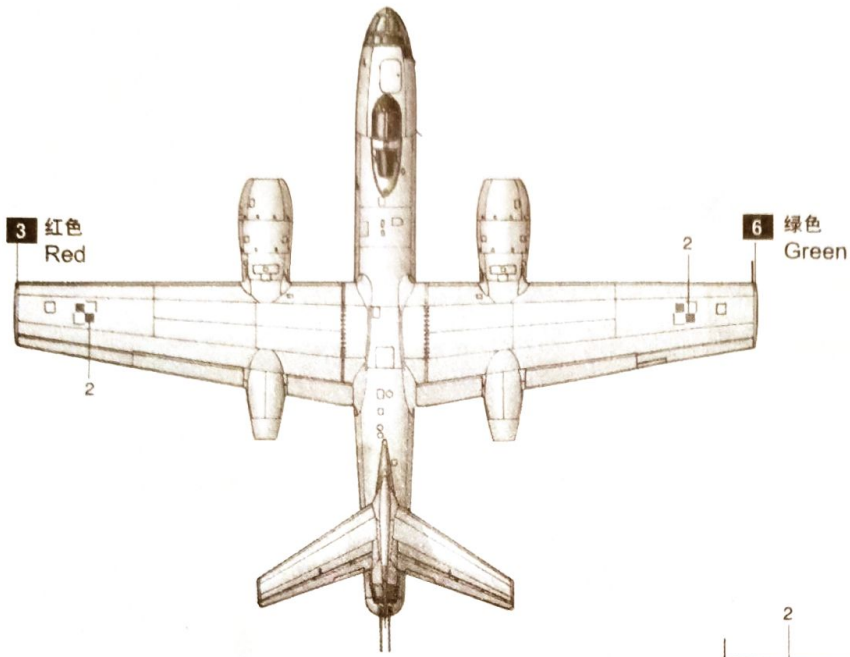
贴纸及涂装 Decal & Painting



涂装同标贴指示 Painting & Marking guide

郡仕色使用

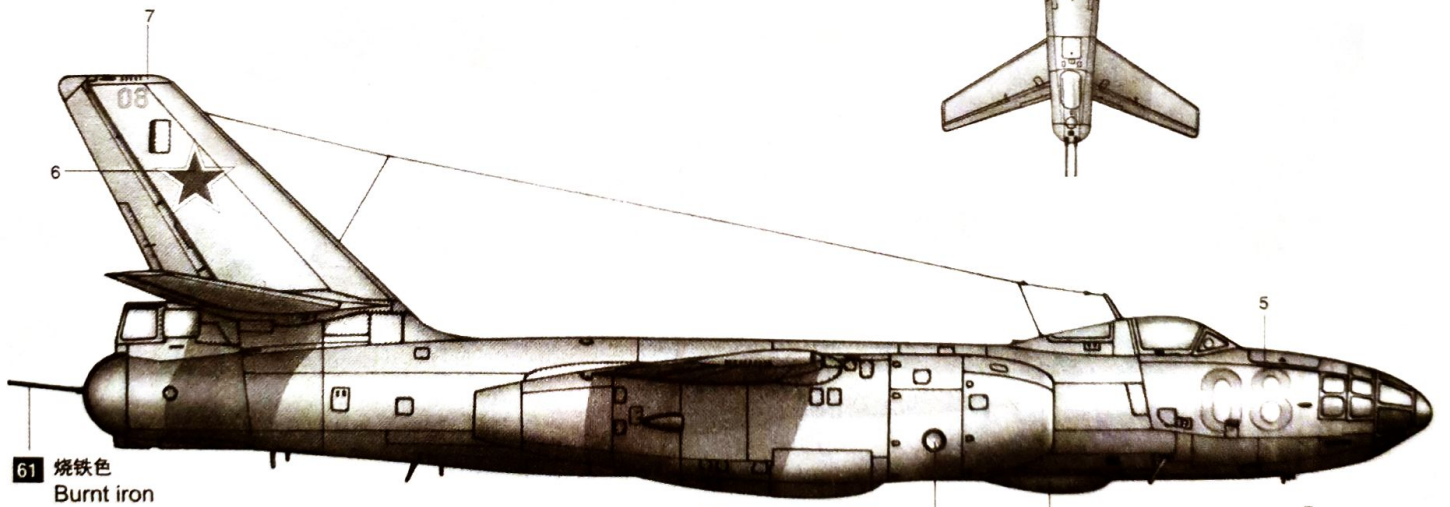
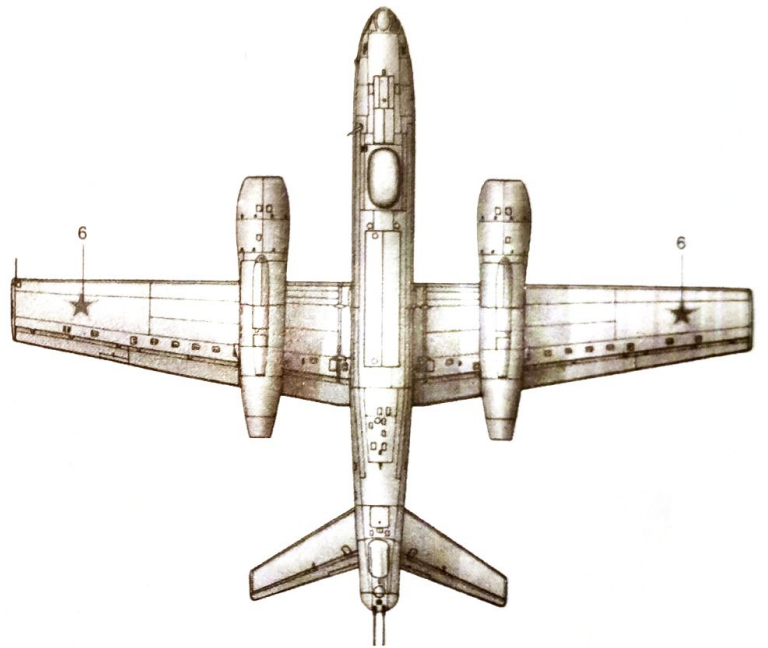
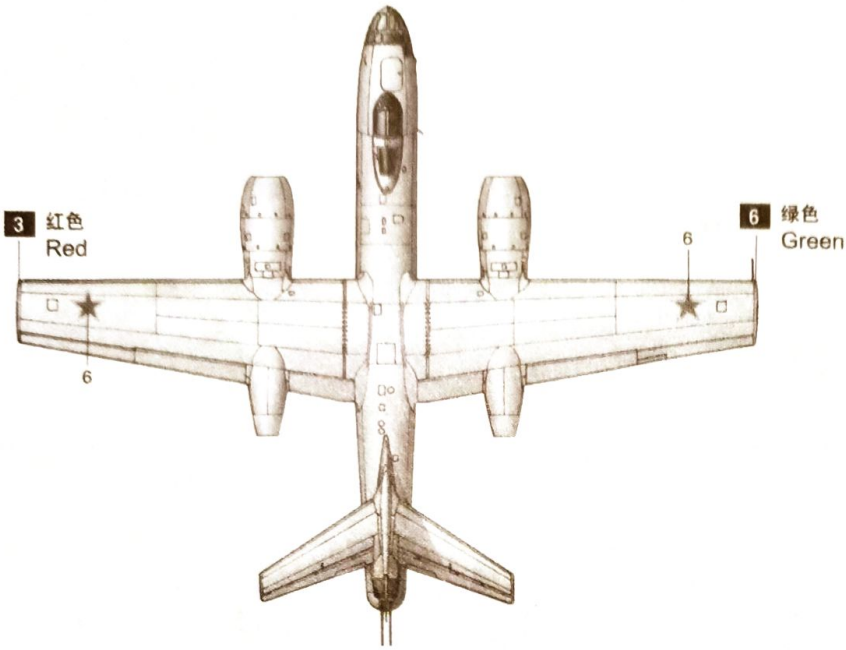
Gunze Mr. color used



涂装同标贴指示
Painting & Marking guide

郡仕色使用

Gunze Mr. color used



8 银色90%+ 34 天蓝色10%
Silver Sky blue

115 浅兰色
Light blue

