

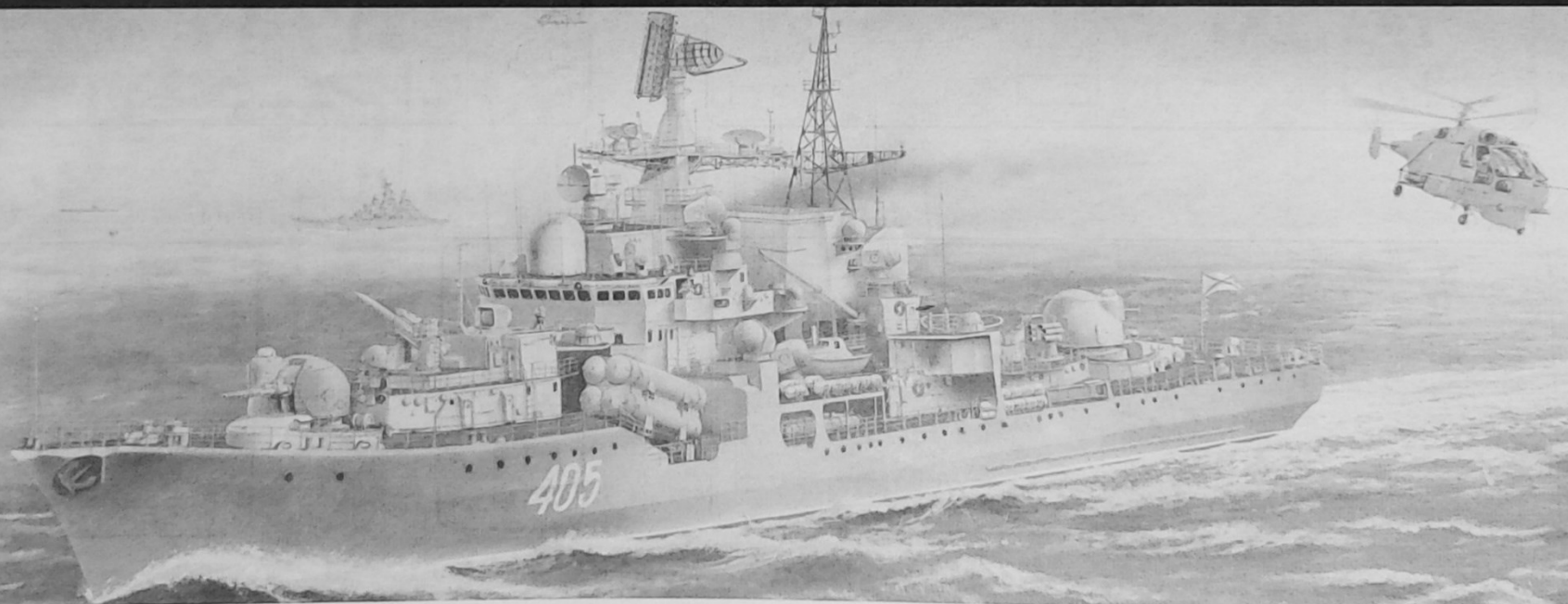


Go to last page to find information regarding super detailing!

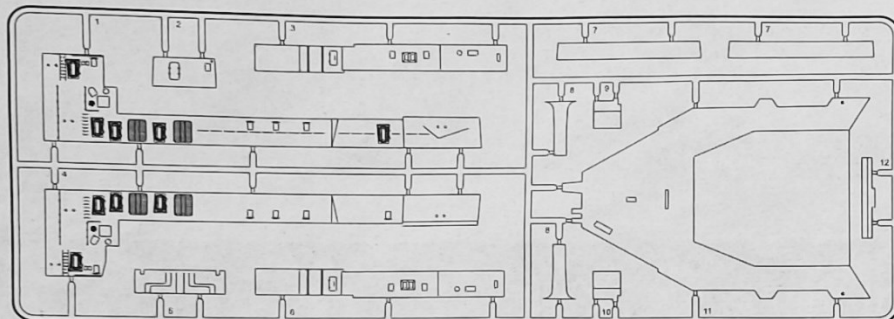
俄羅斯現代級 I 型導彈驅逐艦

1:200 SOVREMENNY

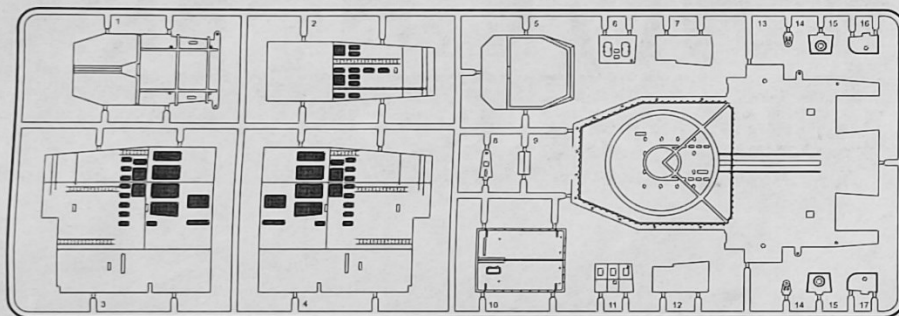
CLASS DESTROYER TYPE 956



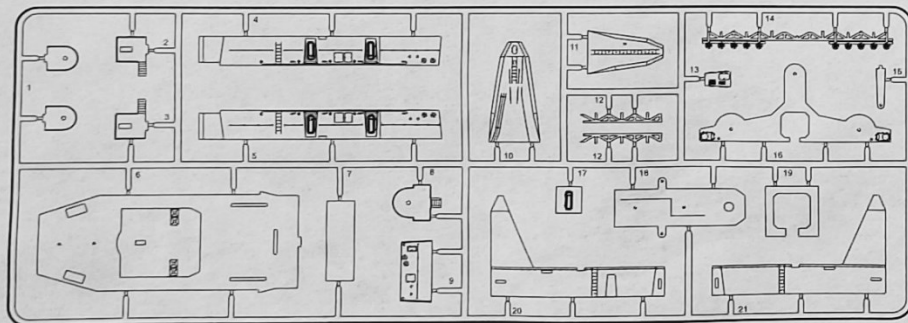
Part A



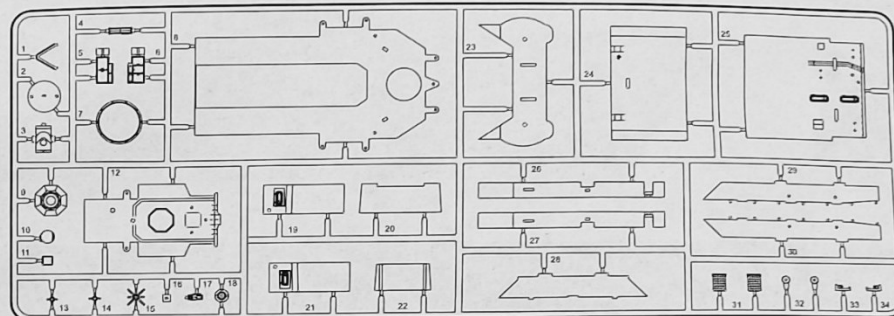
Part B



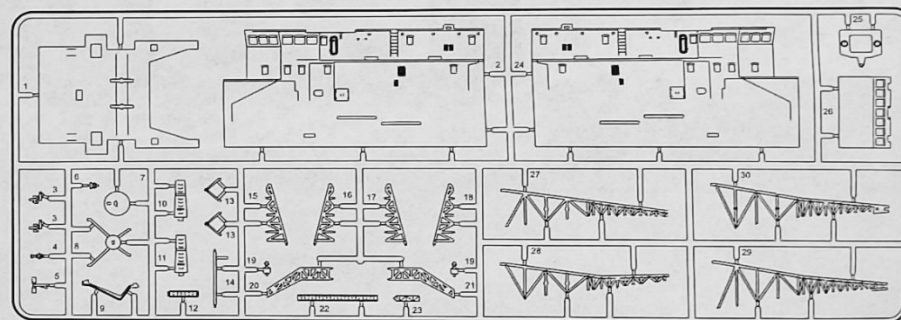
Part C



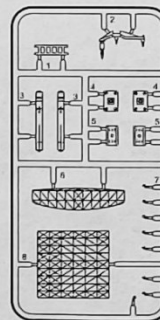
Part D



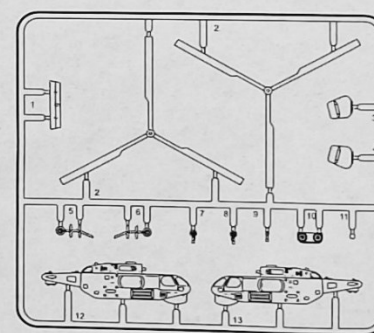
Part E



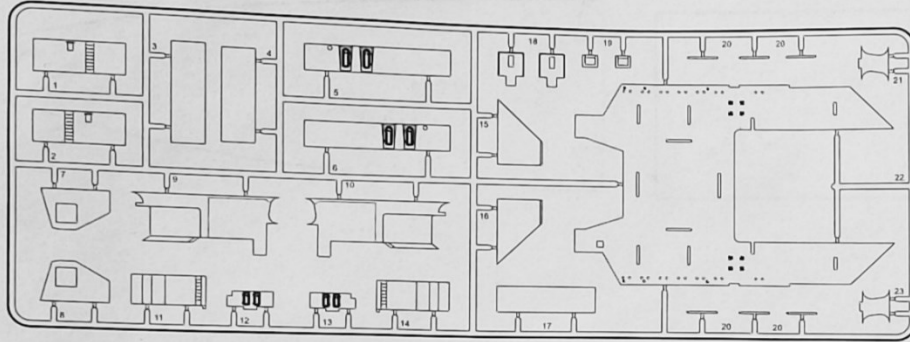
Part F



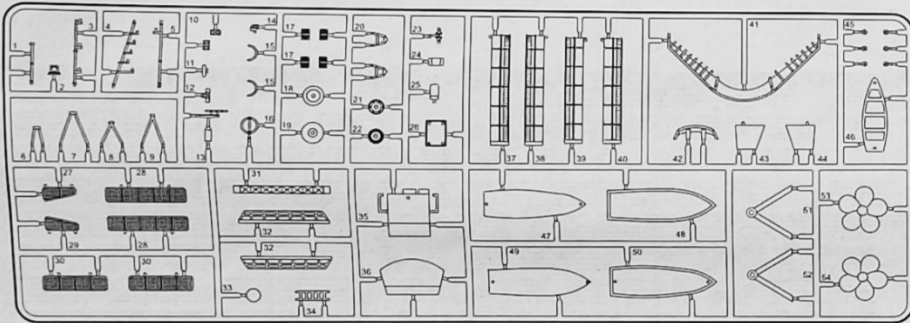
Part L



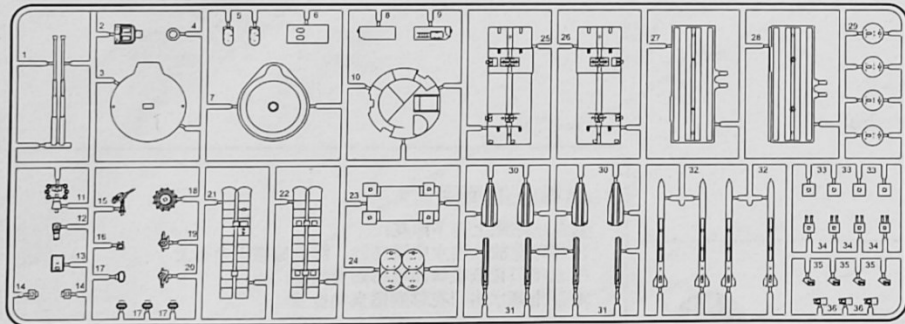
Part G



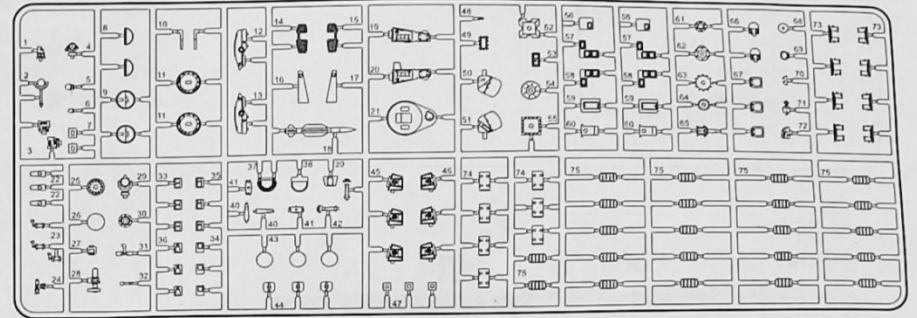
Part H



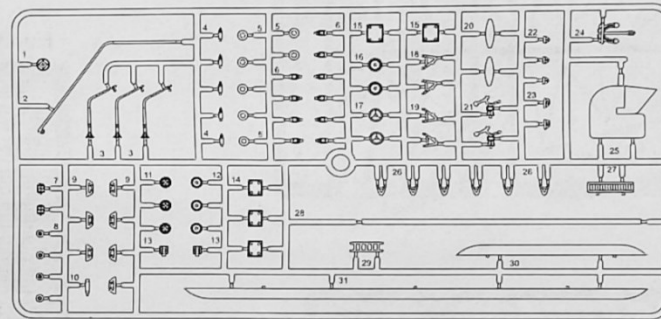
Part I x 2



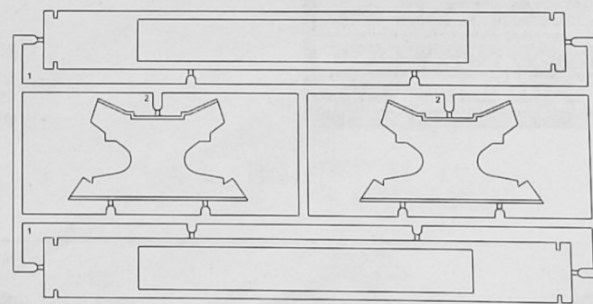
Part J x 2



Part K x 2



《座架》 Stand



船体
Hull

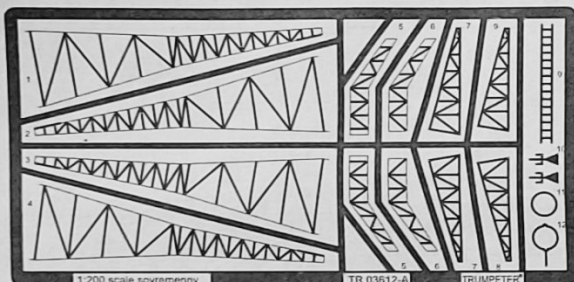
部品图 Parts



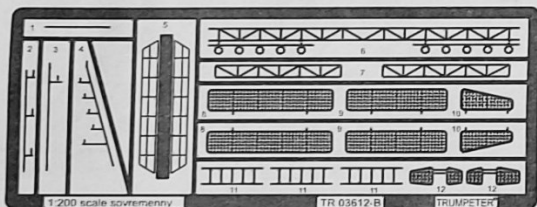
蚀刻部品

Photo Etched Parts

(PE)

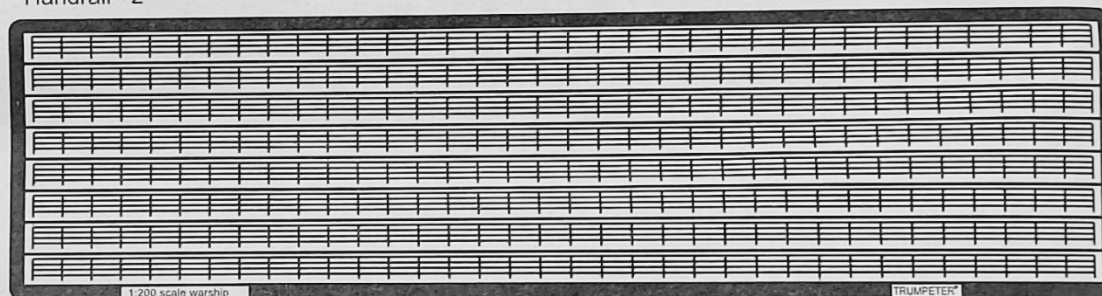


桅杆
Mast A



桅杆
Mast B

栏杆
Handrail × 2



水贴纸 Decal × 1

铜管 Copper tube × 2

螺旋桨轴 Propeller shaft × 2



cyanocrilate glue
使用强力胶



weight
配重



make hole
钻孔



cut / remove
切除



bend
弯曲



file / sand
锉平



option
选择



no cement
不涂胶水



decal
贴纸

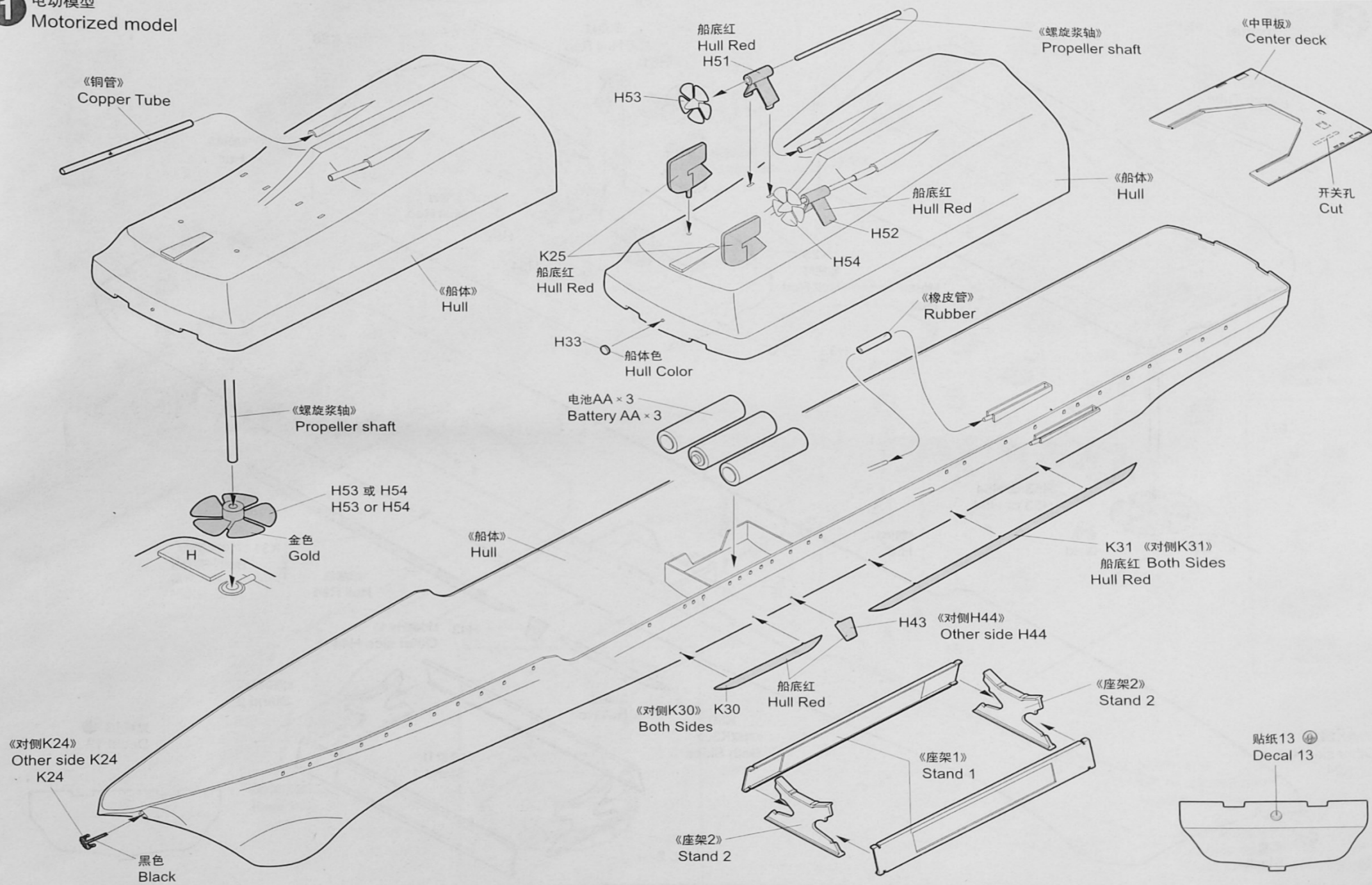
水贴纸的使用:

1. 从水贴纸上剪下印花;
2. 将印花放入温水中浸10秒, 然后放在干净布上。
3. 拿着印花纸板将印花移到模型上;
4. 手指蘸水将印花移到适当的位置;
5. 用软布轻压印花直至水干, 气泡消失。

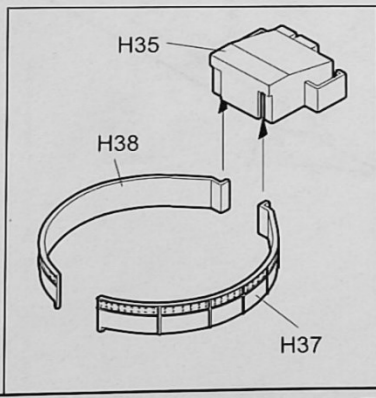
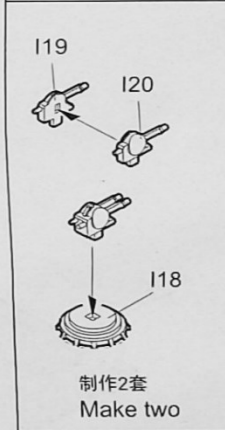
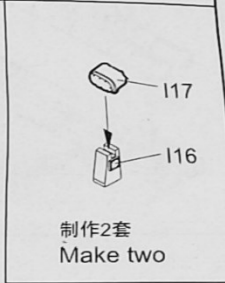
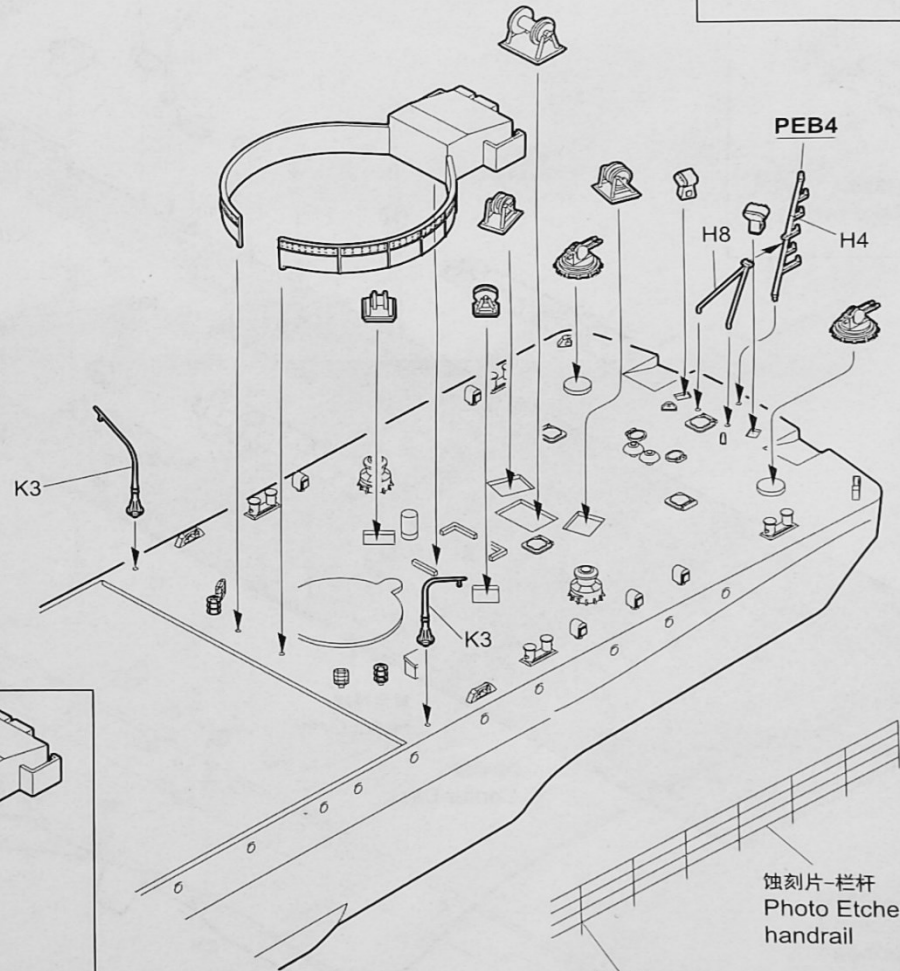
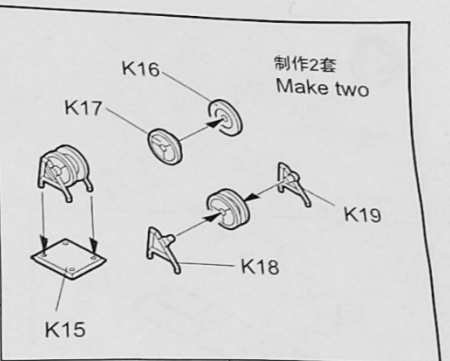
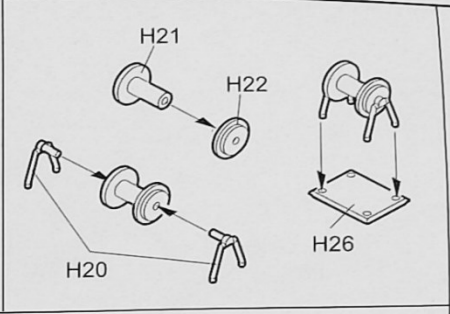
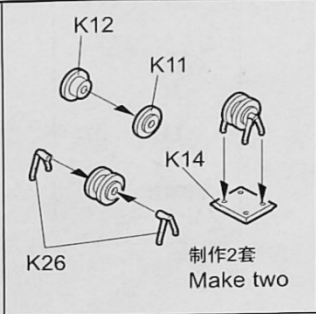
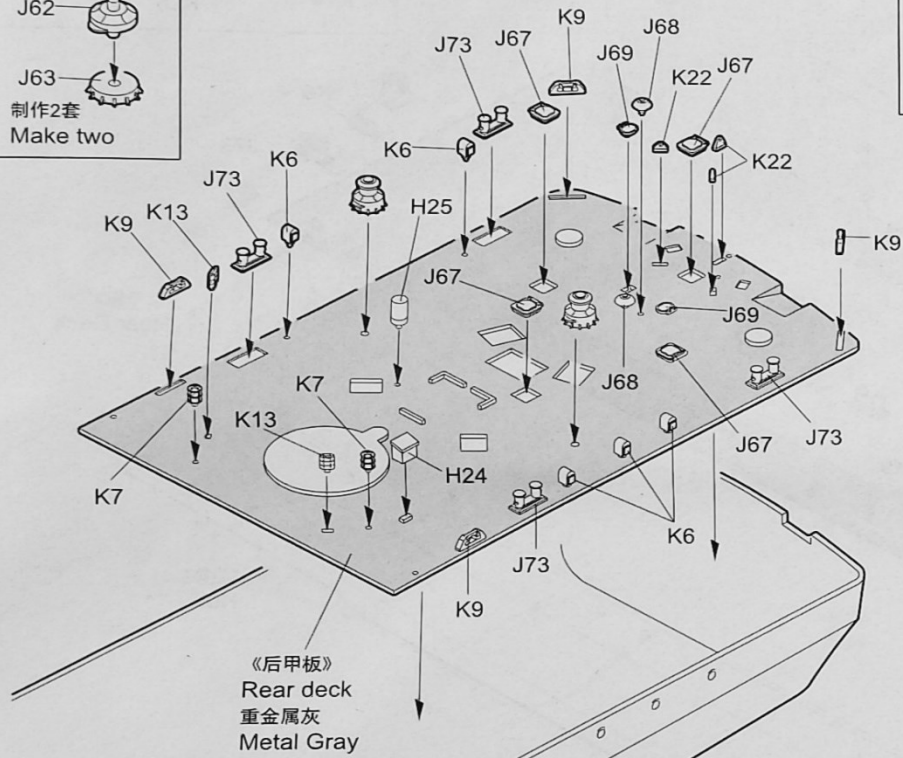
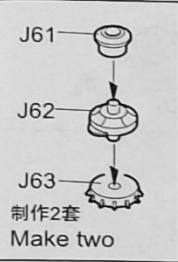
DECAL APPLICATION

1. Cut off decal from sheet.
2. Dip the decal in tepid water 40°C for about 10 sec. and place on a clean cloth.
3. Hold the backing sheet edge and slide decal onto the model.
4. Move decal into position by wetting decal with finger.
5. Press decal gently down with a soft cloth until excess water and air bubbles are gone.

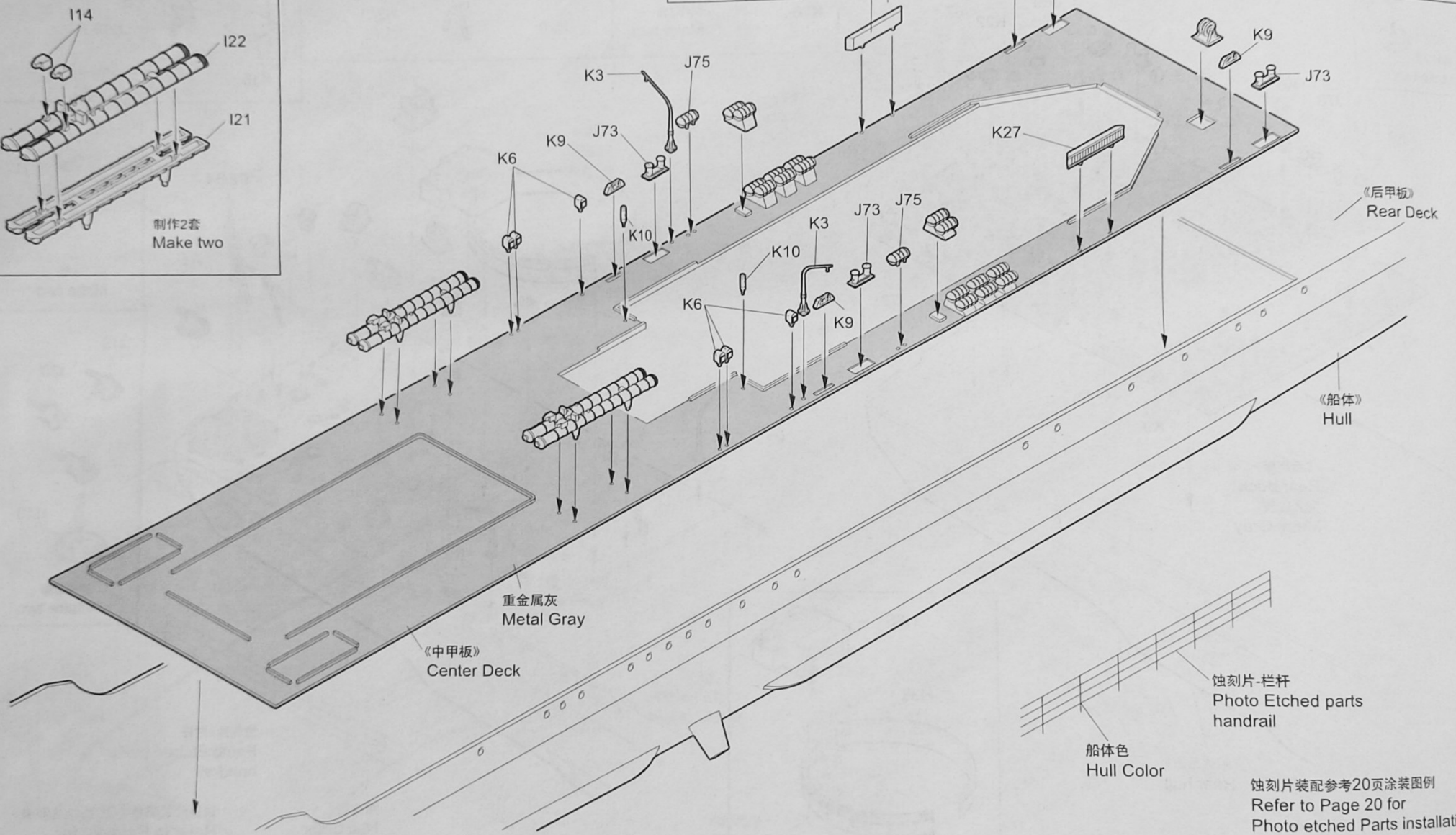
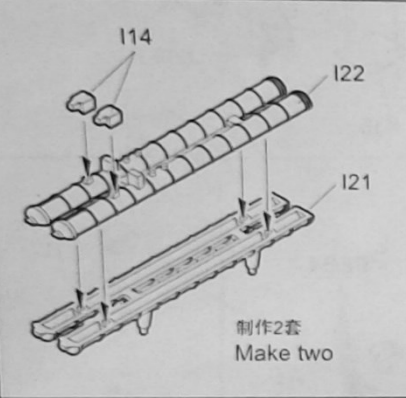
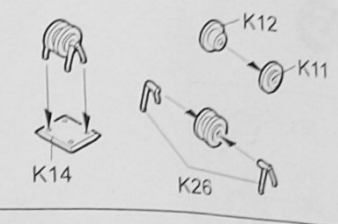
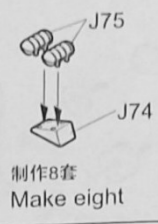
1 电动模型
Motorized model



3

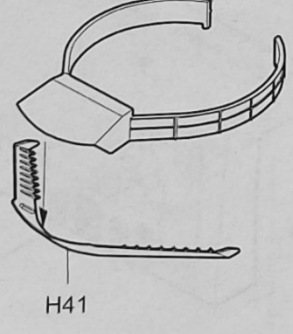
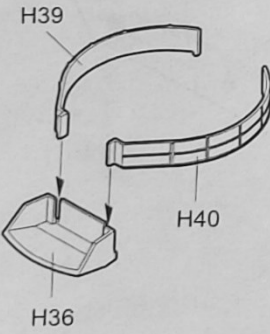
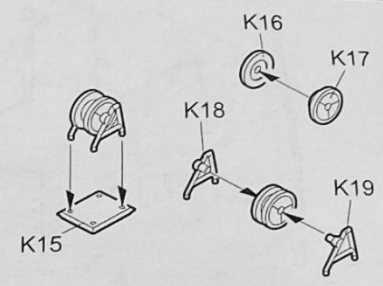
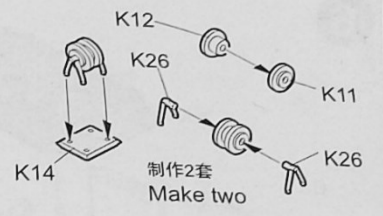
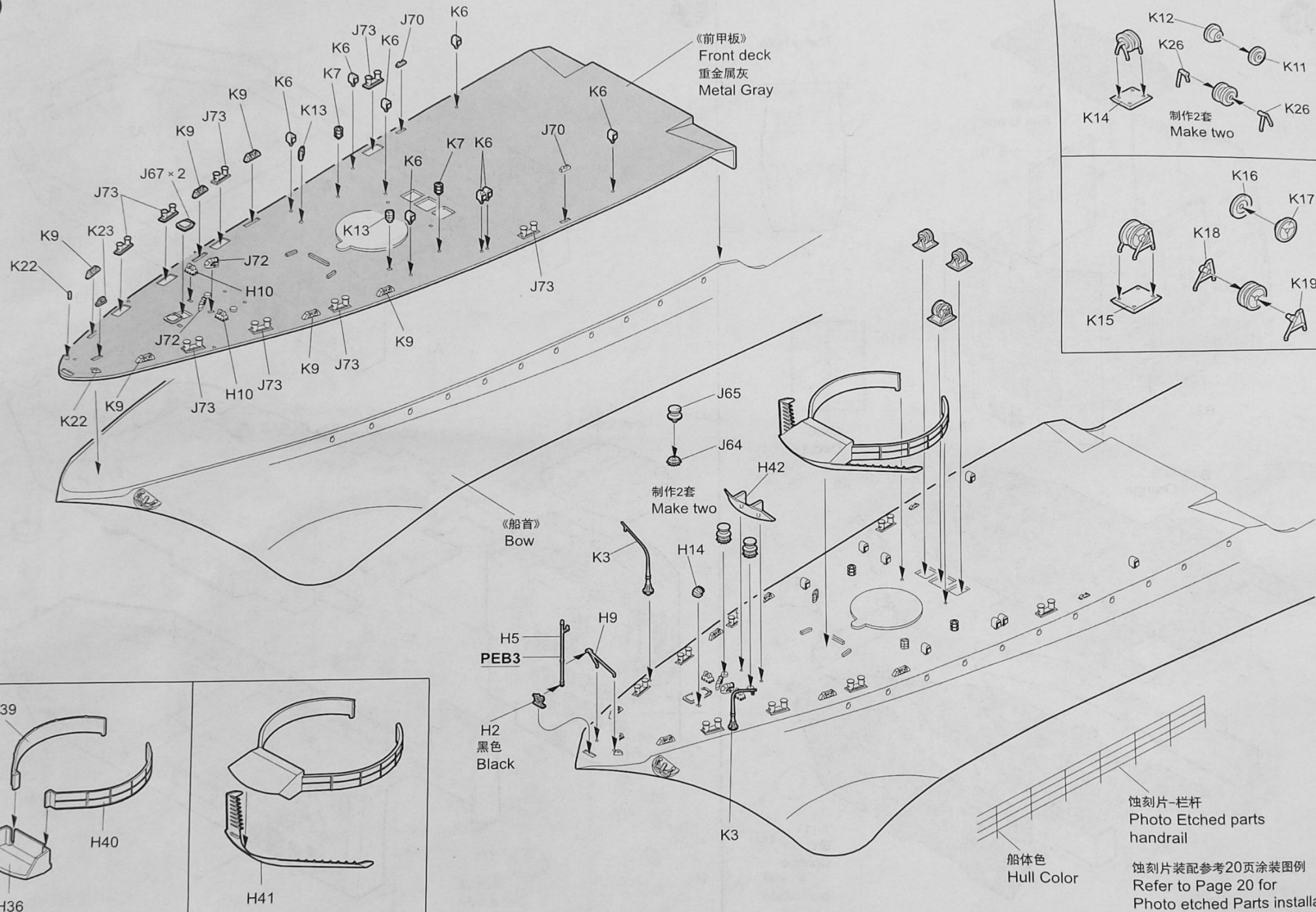


4



蚀刻片装配参考20页涂装图例
Refer to Page 20 for
Photo etched Parts installation

5



制作2套 Make two

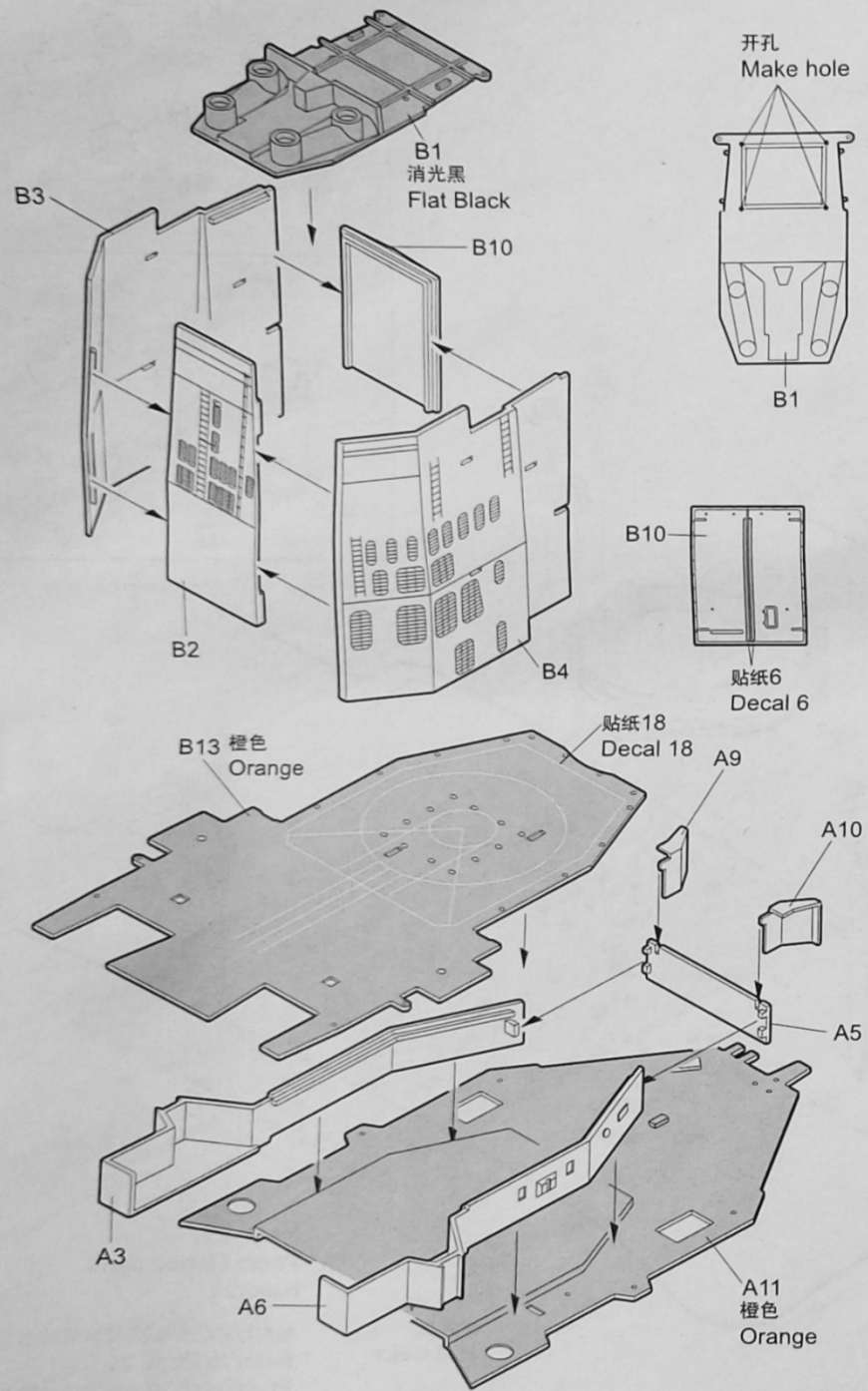
H2 黑色 Black

蚀刻片-栏杆 Photo Etched parts handrail

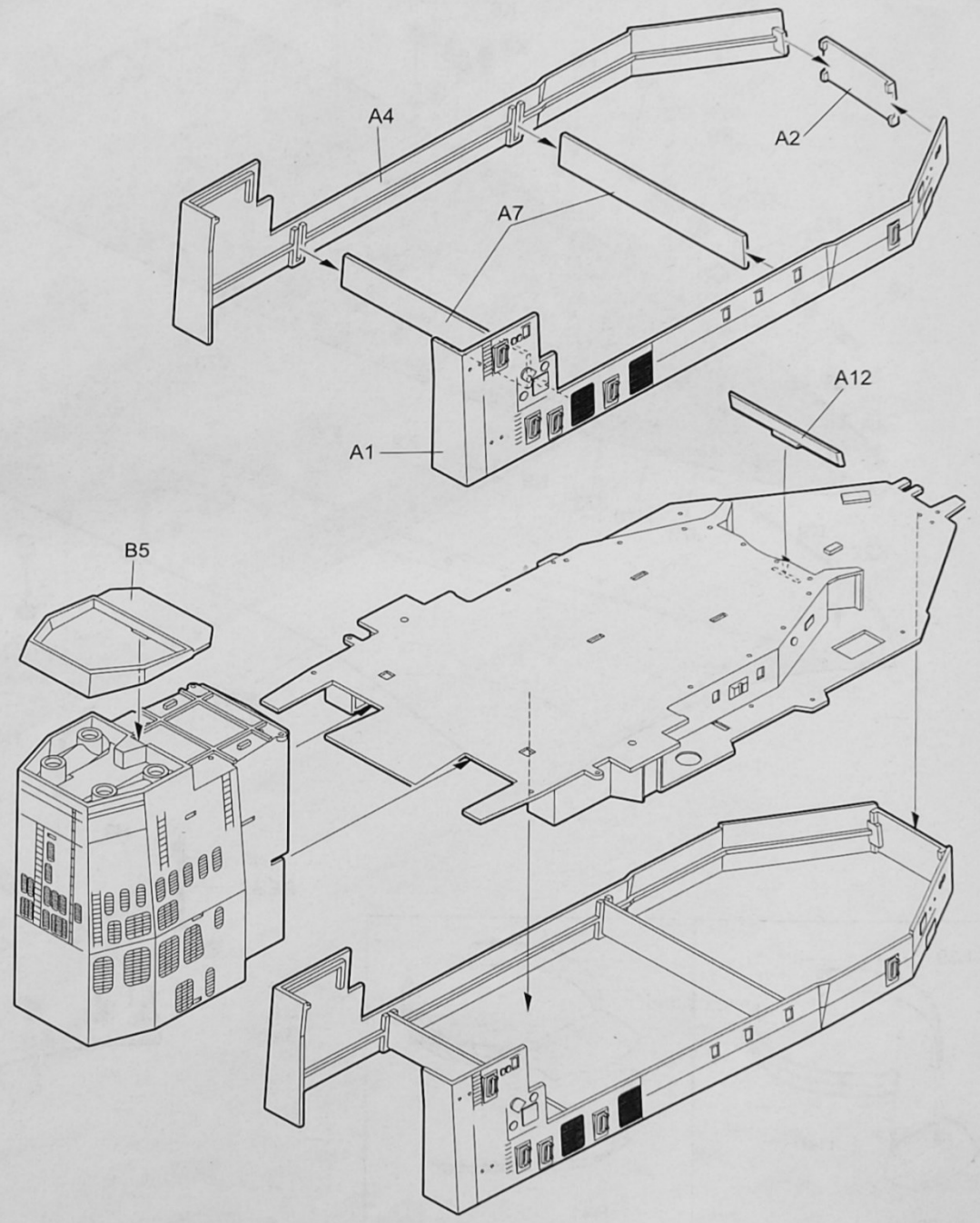
船体色 Hull Color

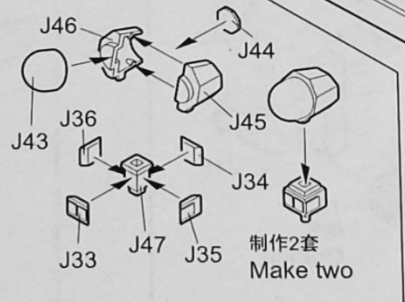
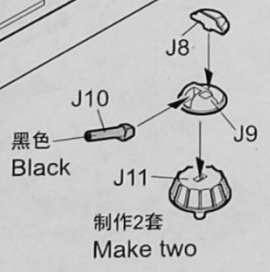
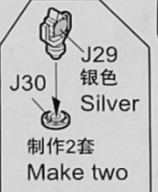
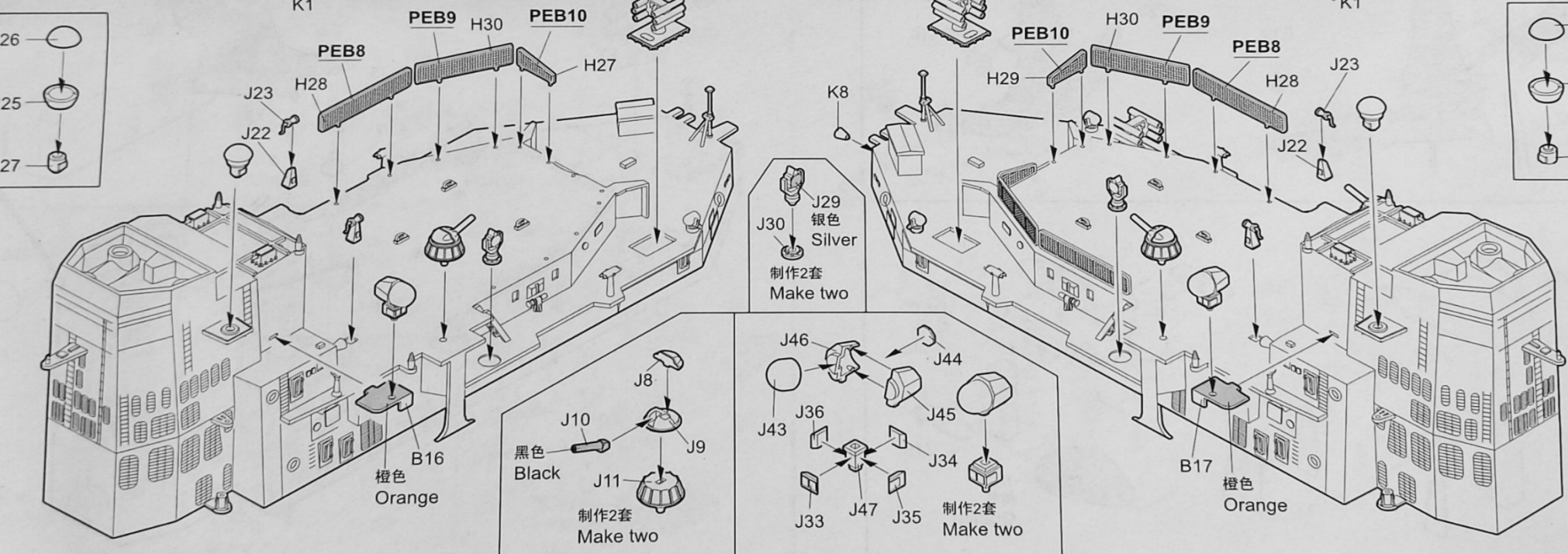
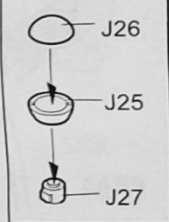
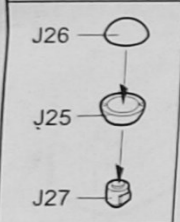
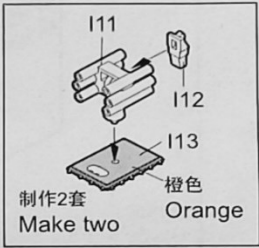
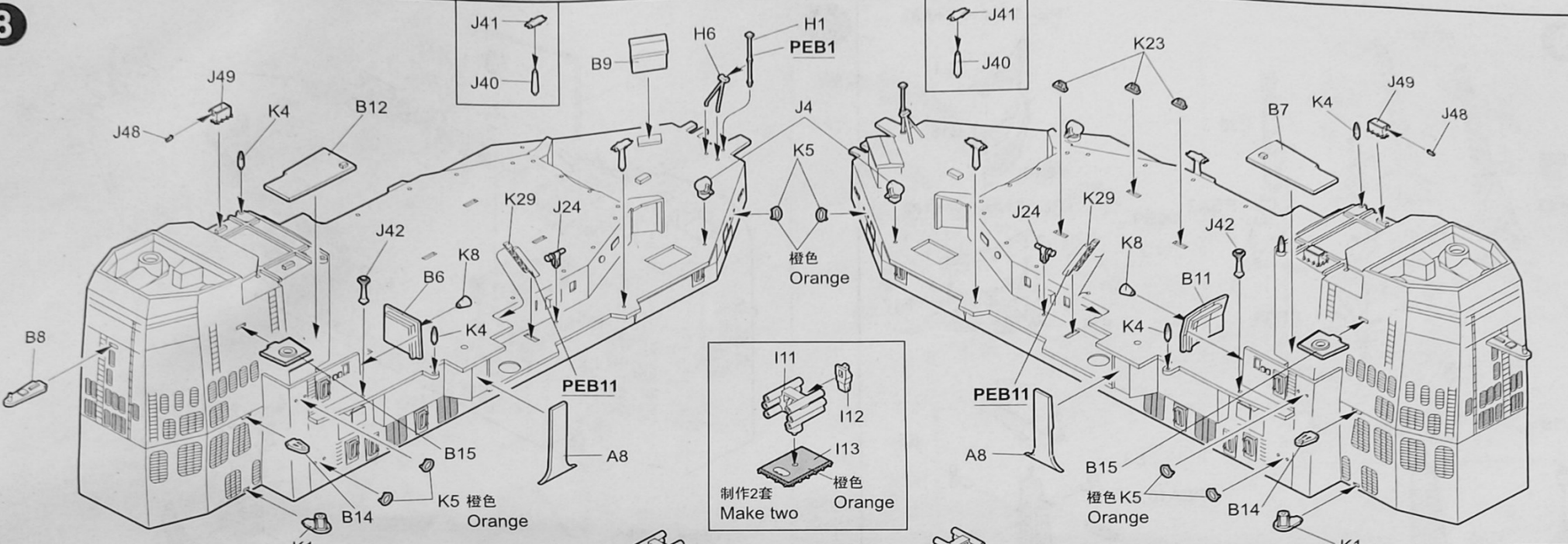
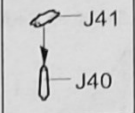
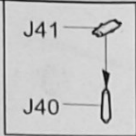
蚀刻片装配参考20页涂装图例 Refer to Page 20 for Photo etched Parts installation

6

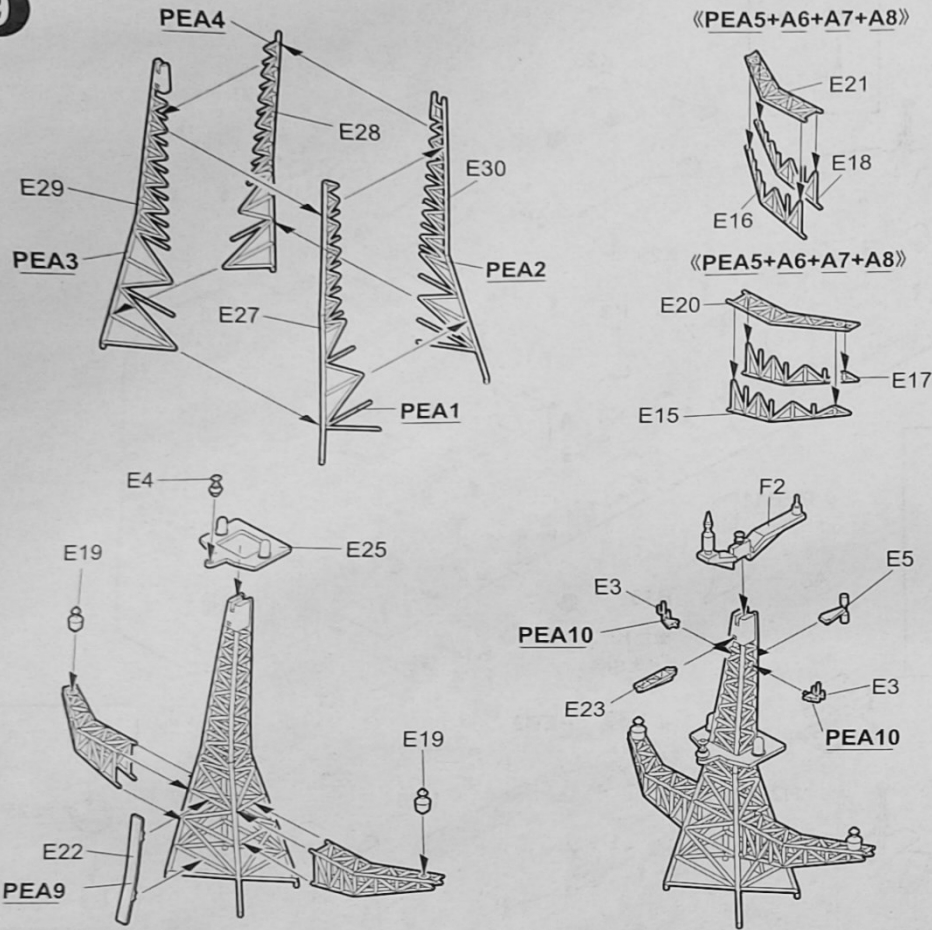


7

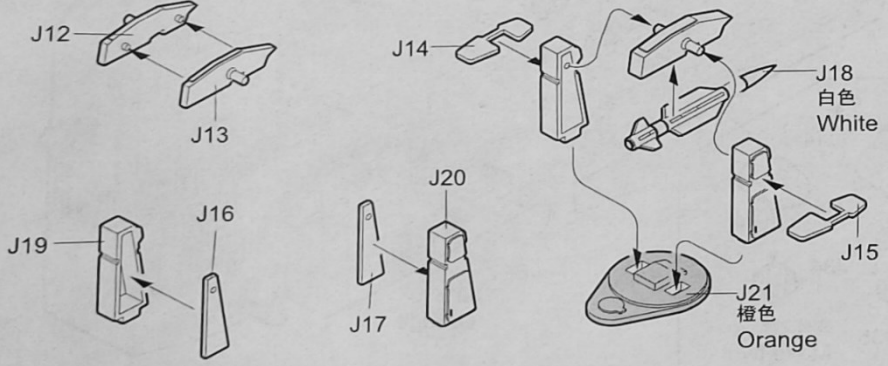




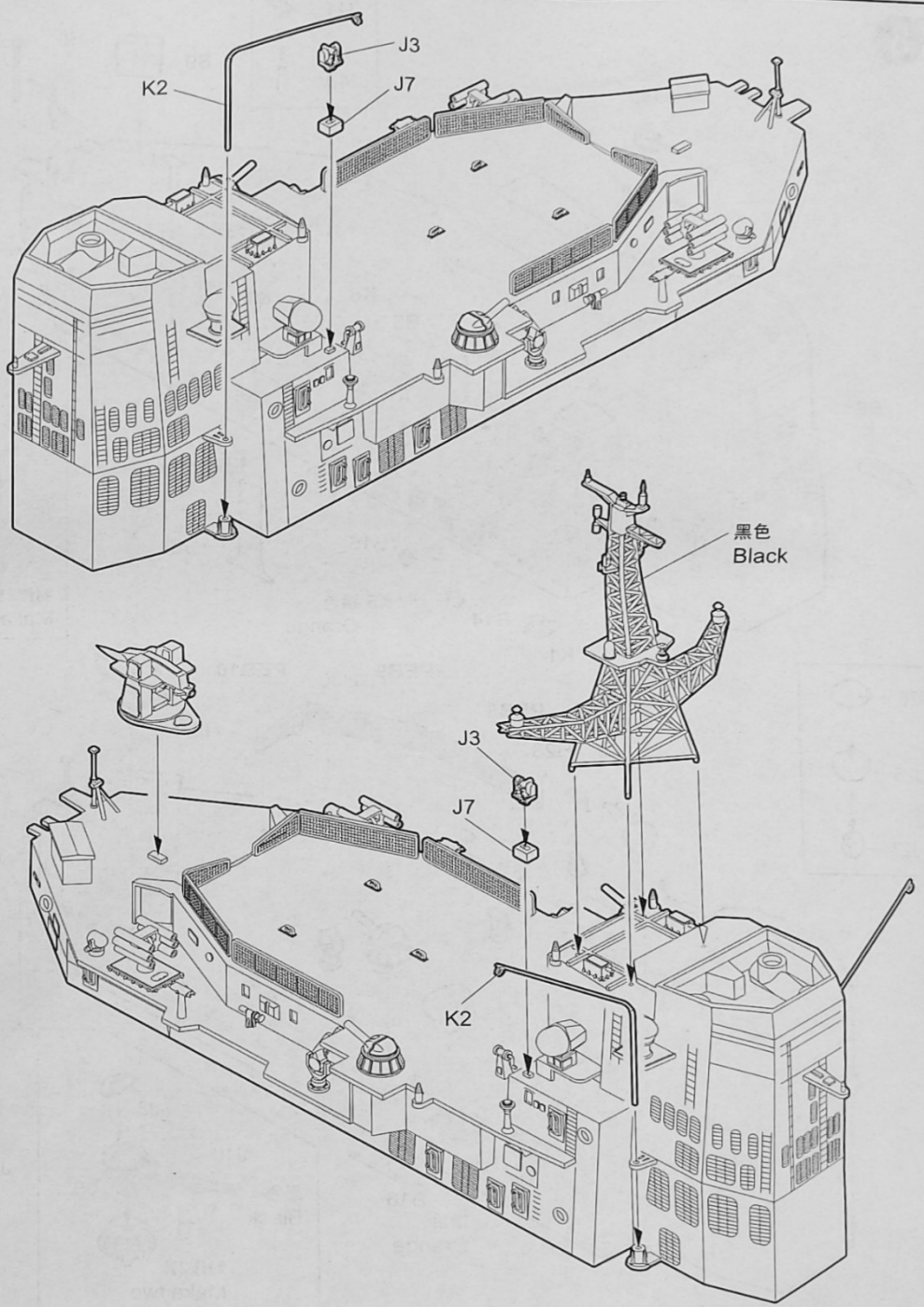
9

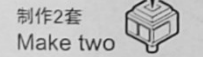
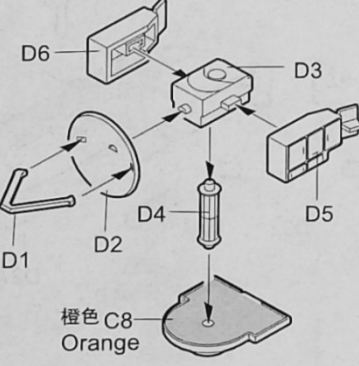
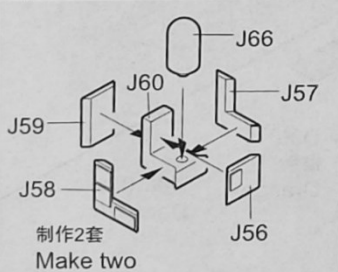
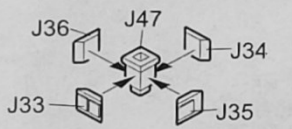
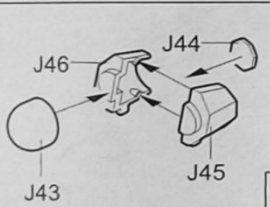
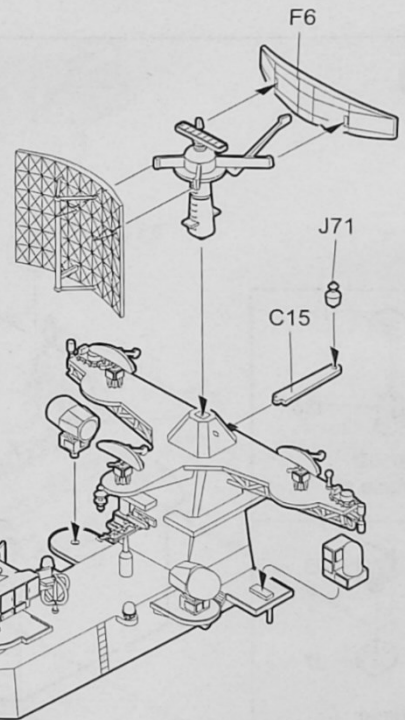
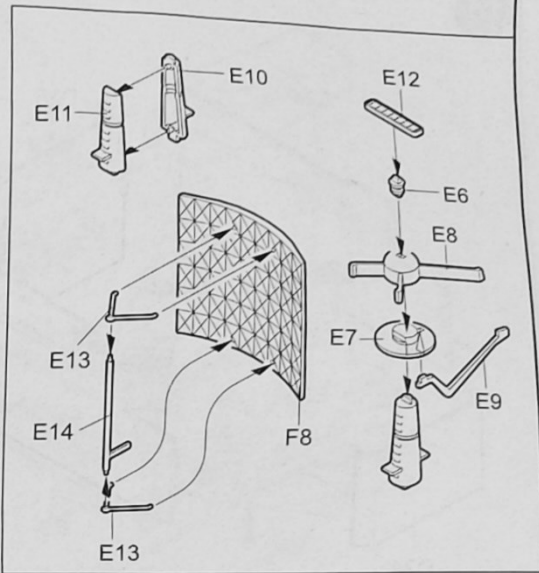
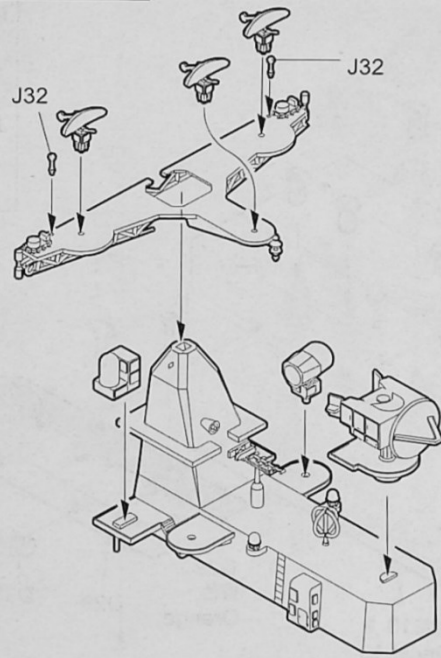
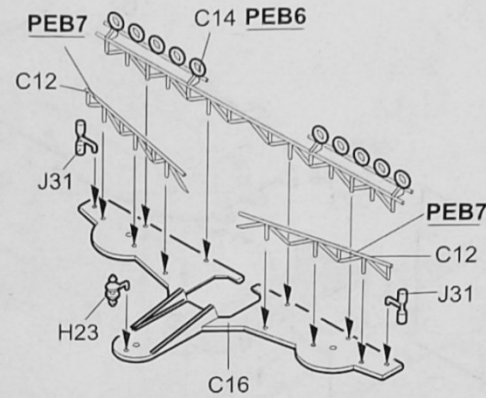
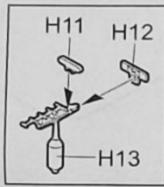
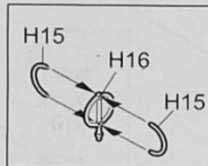
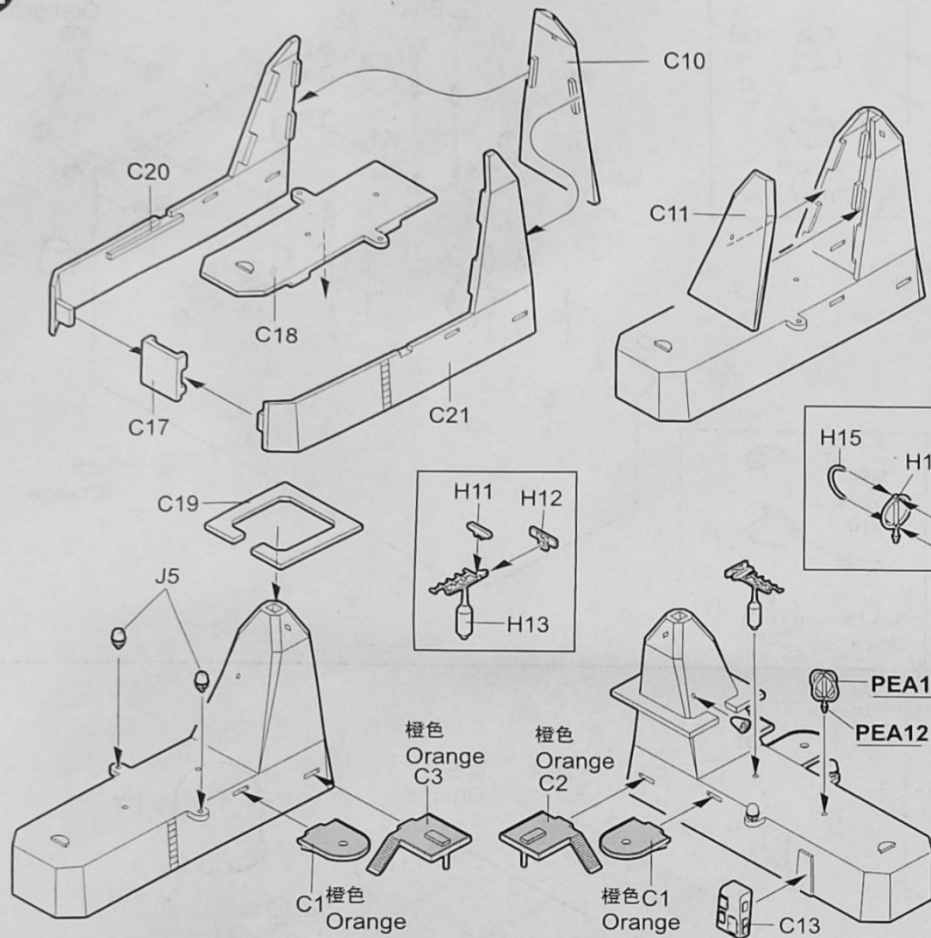


10

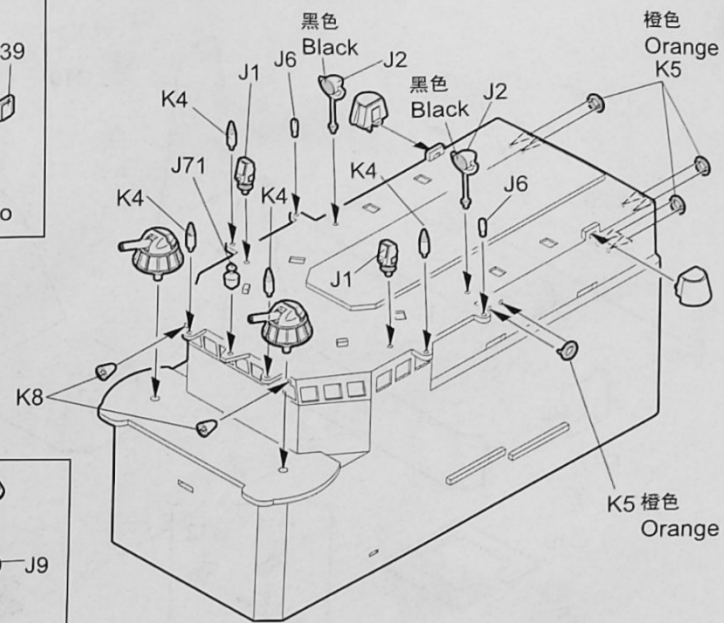
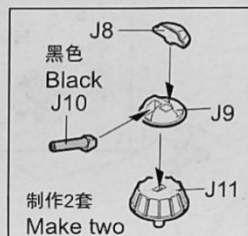
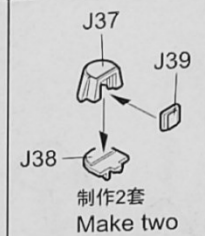
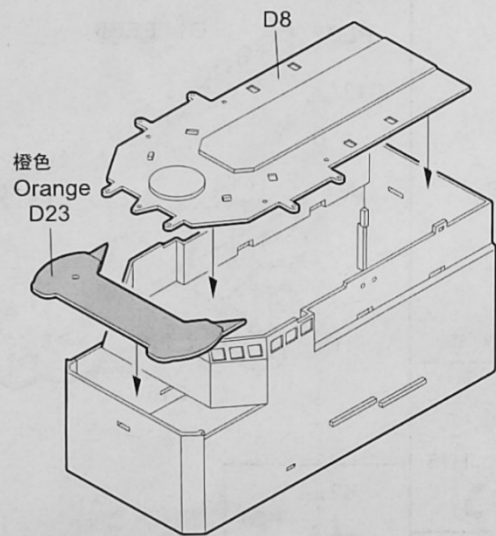
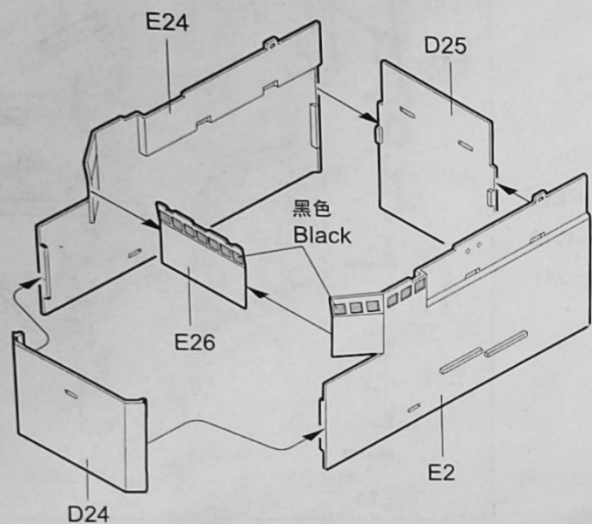


11

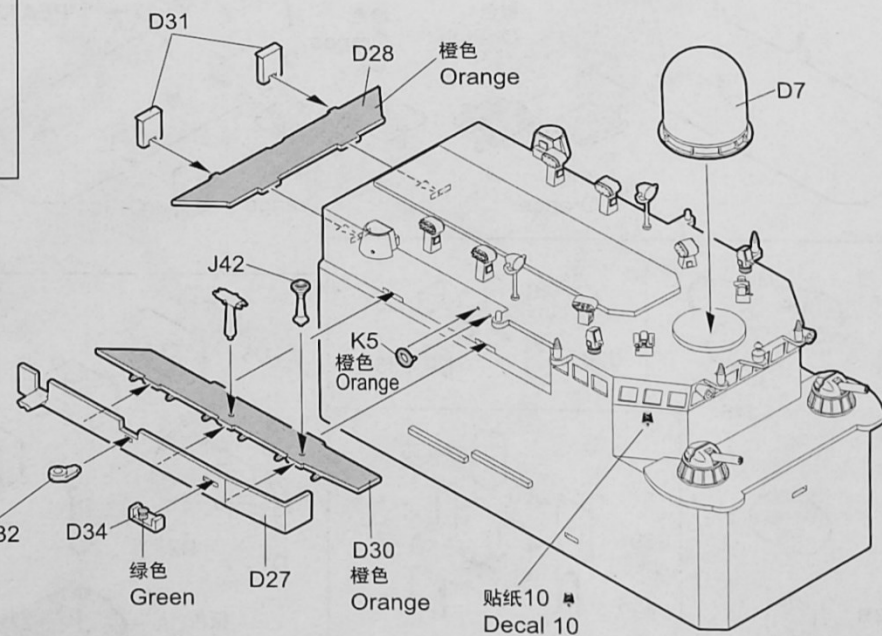
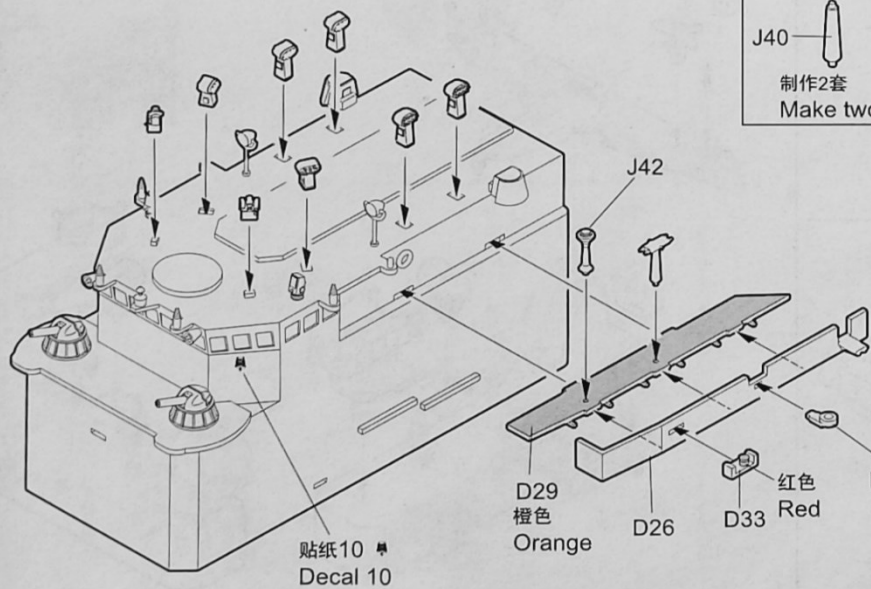
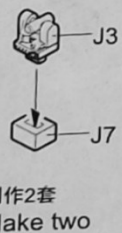
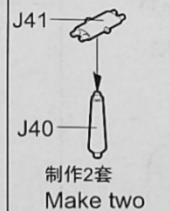




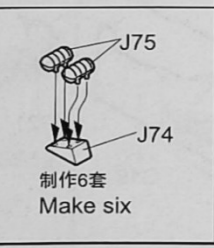
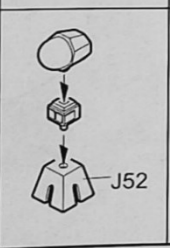
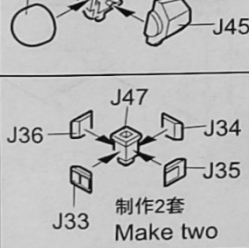
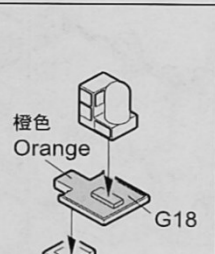
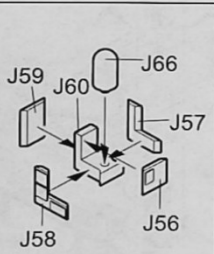
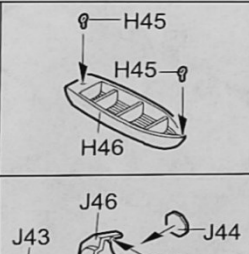
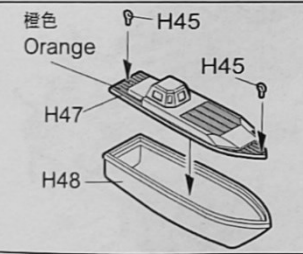
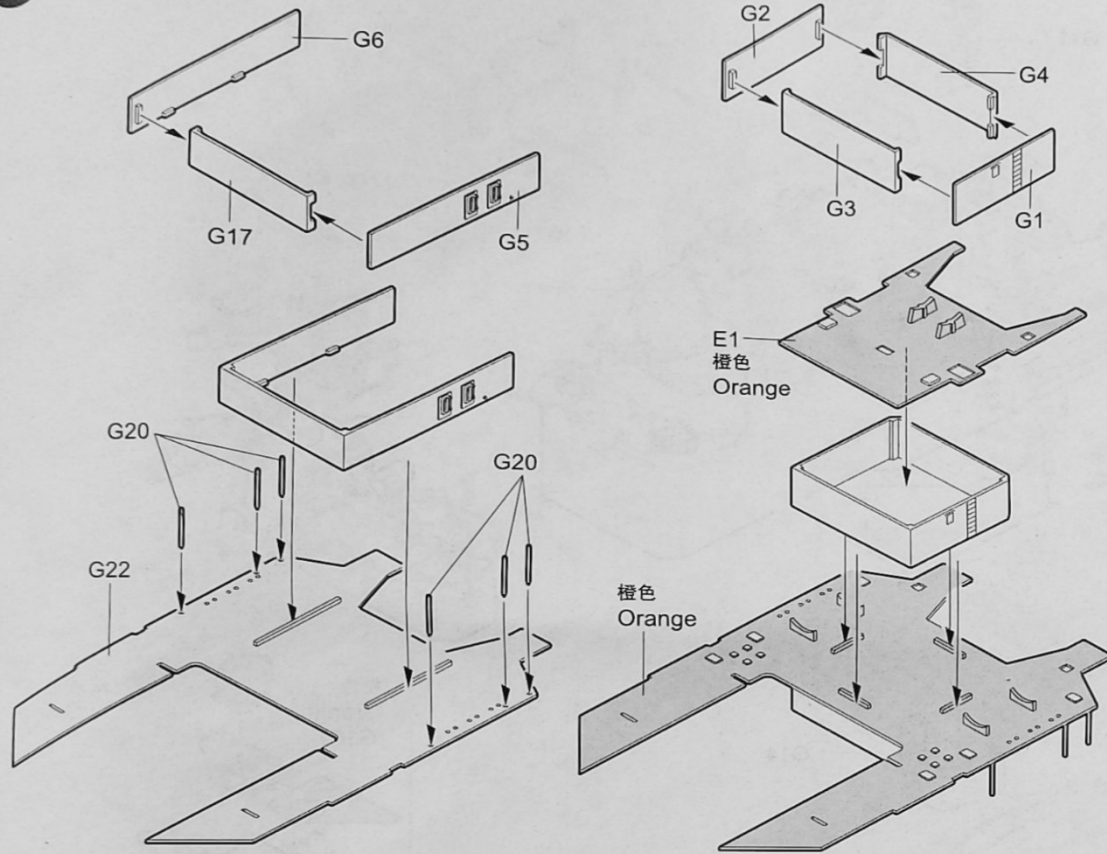
14



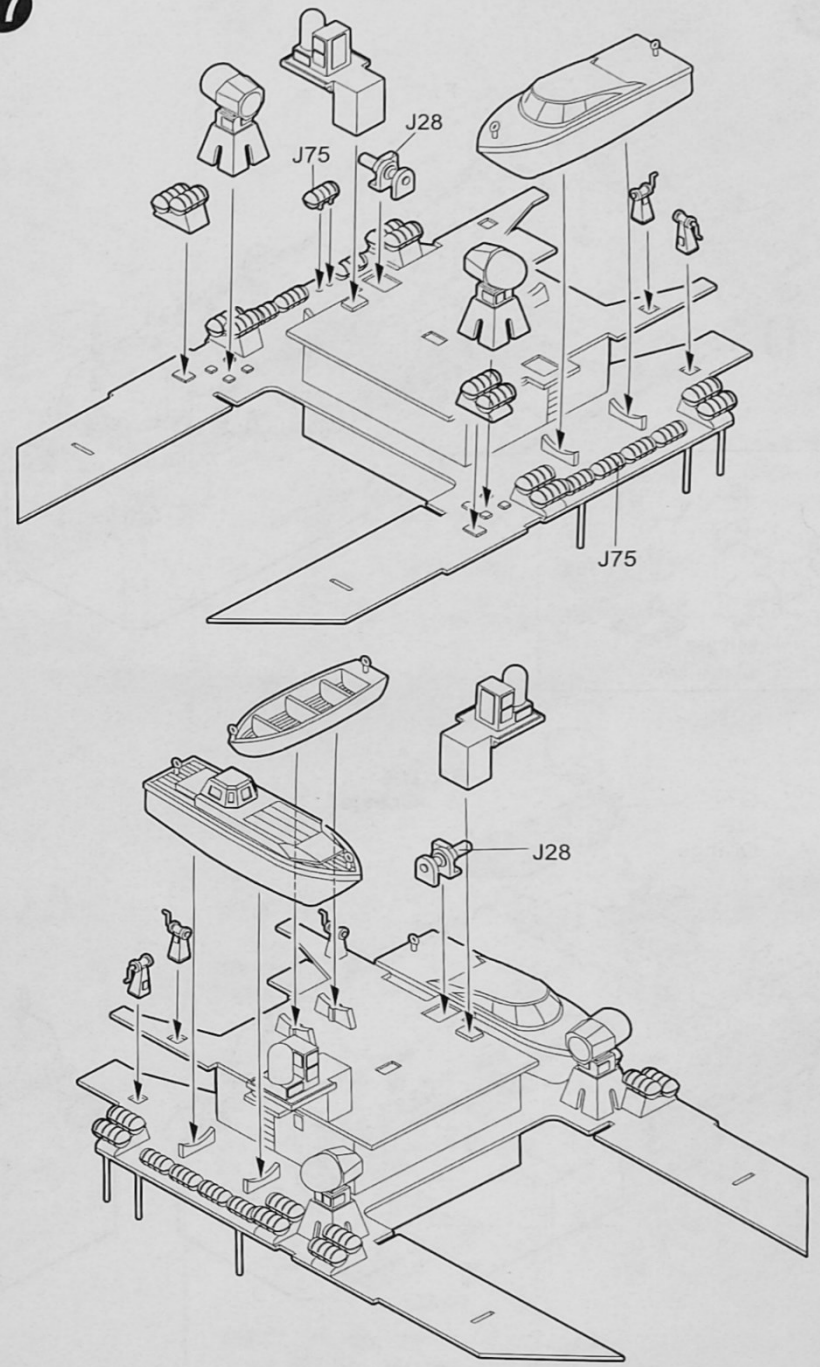
15

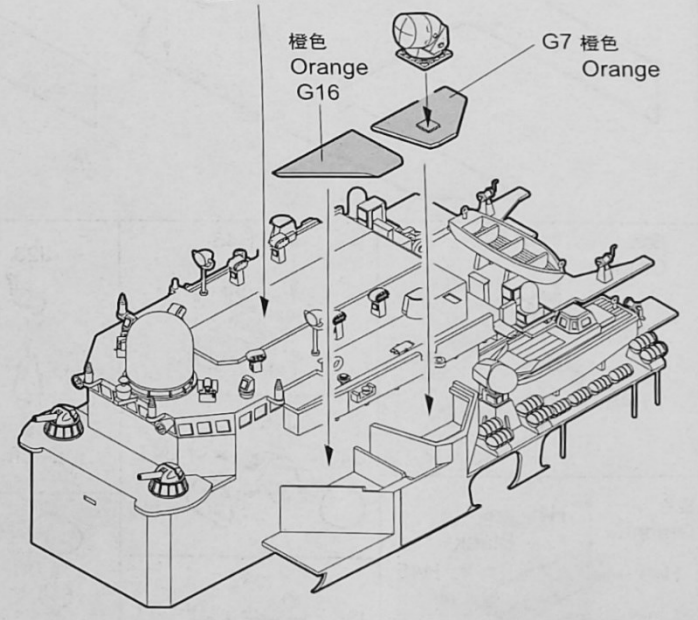
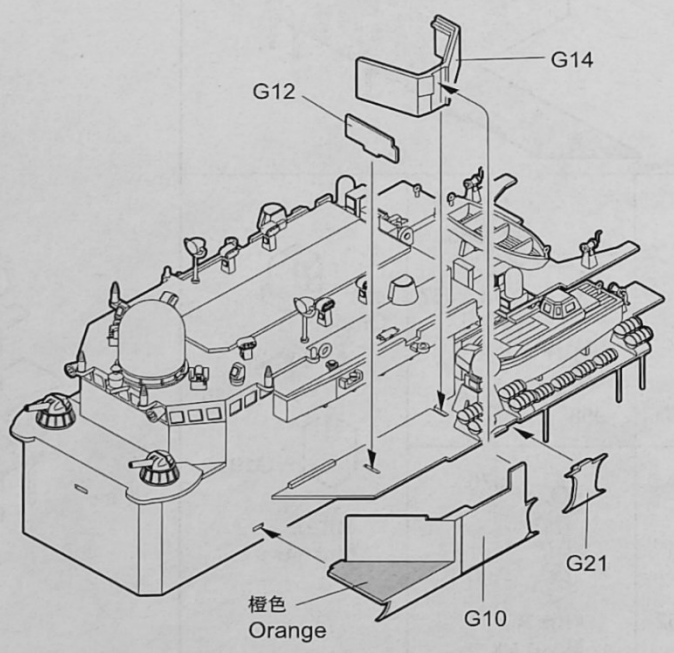
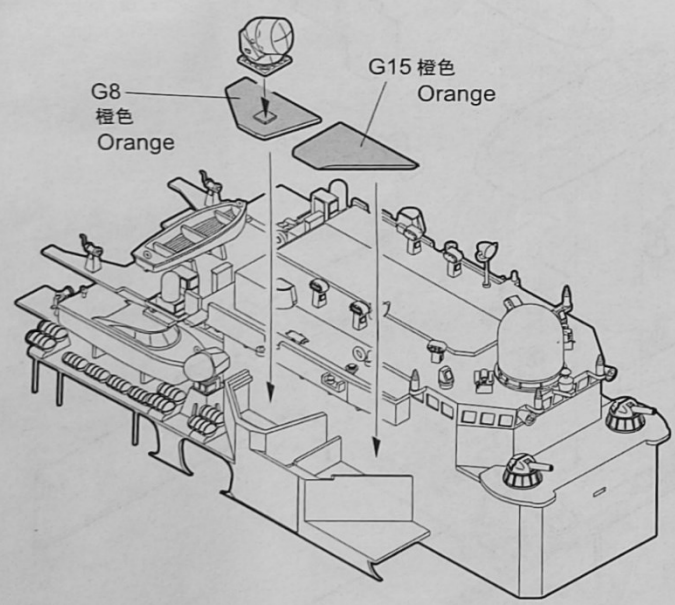
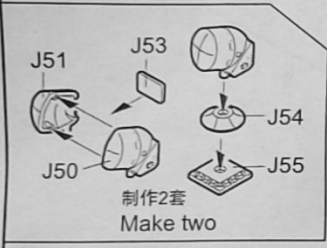
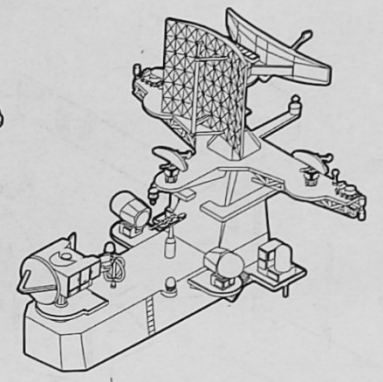
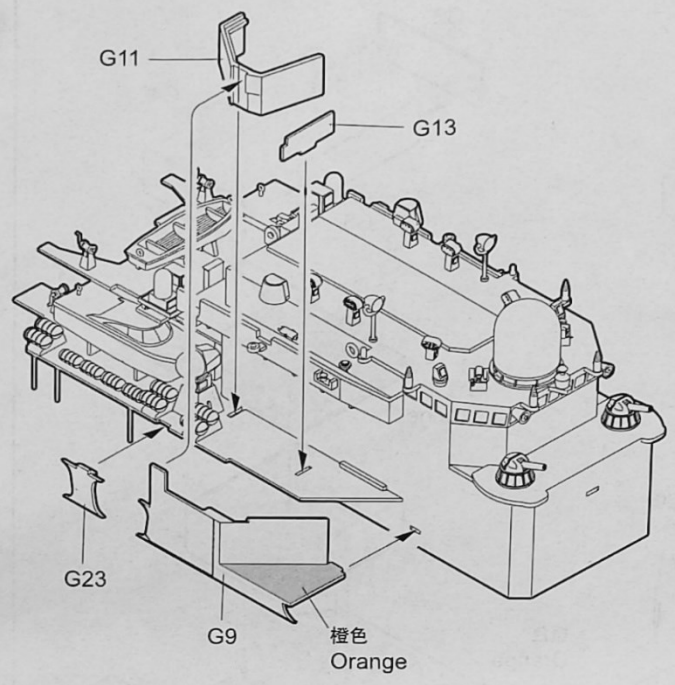
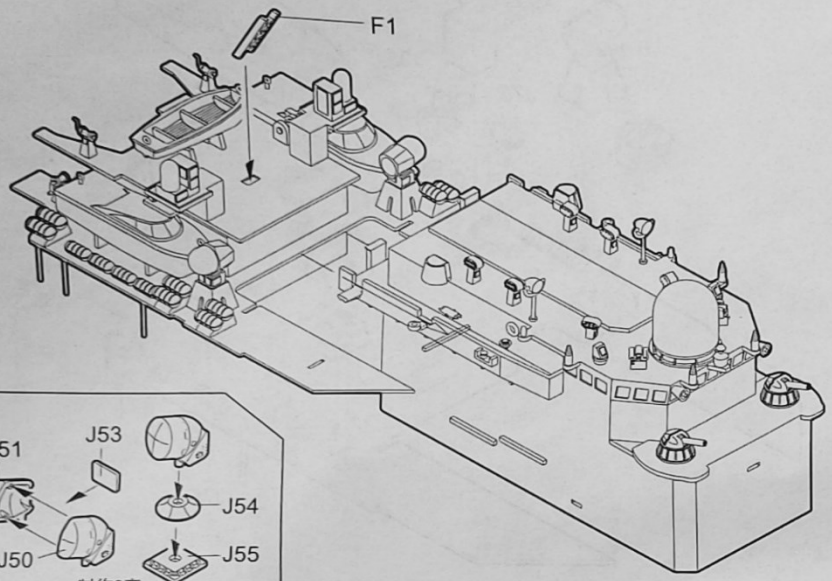


16

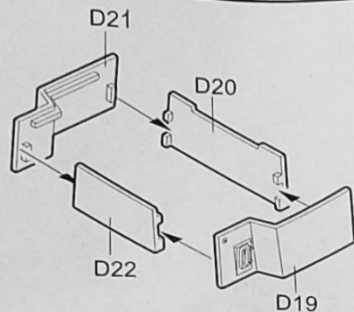
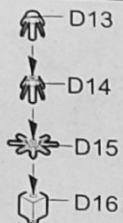
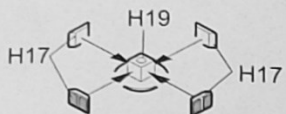


17

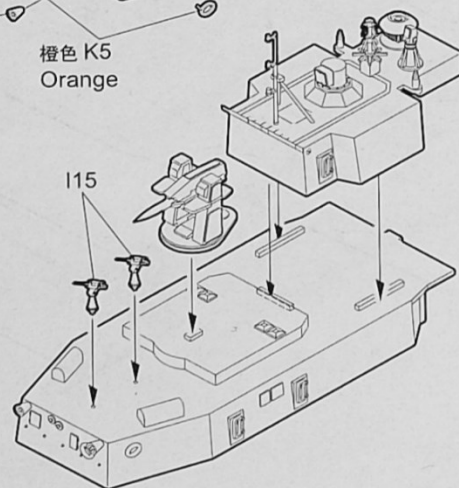
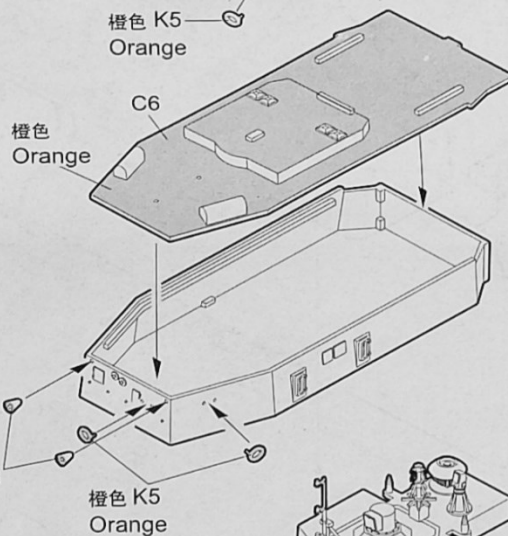
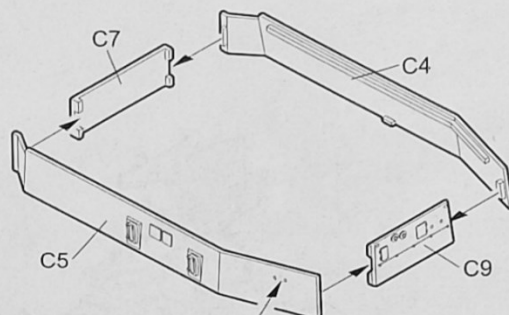




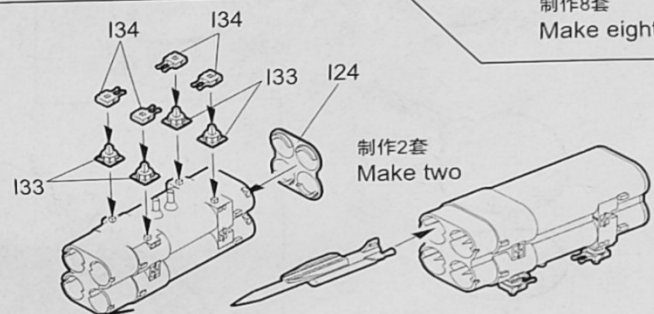
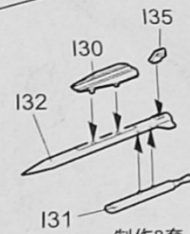
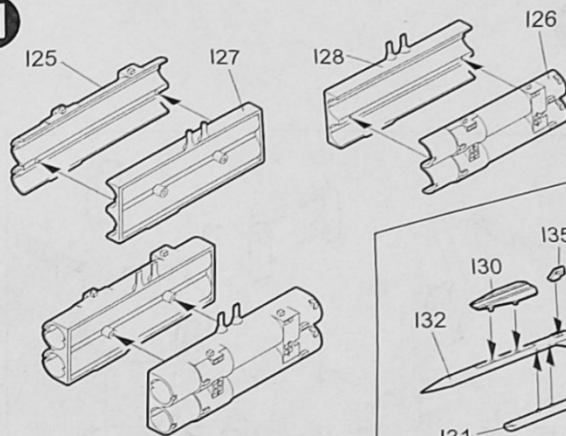
19



20



21



贴纸22 2 Decal 22

贴纸24 4 Decal 24

《左舷》 Right



贴纸26 6 Decal 26

贴纸28 8 Decal 28

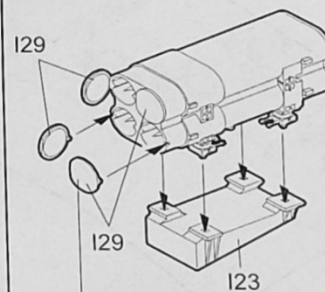
贴纸21 1 Decal 21

贴纸23 3 Decal 23

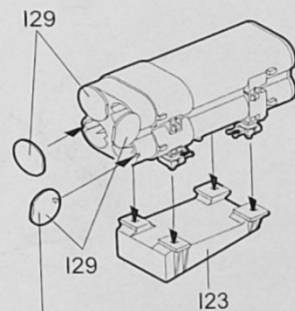
贴纸25 5 Decal 25

贴纸27 7 Decal 27

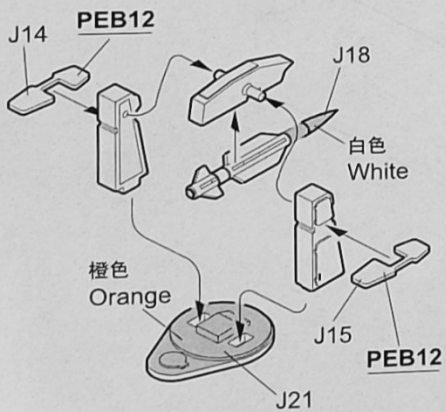
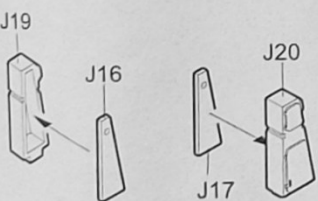
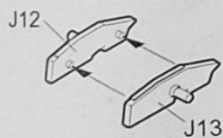
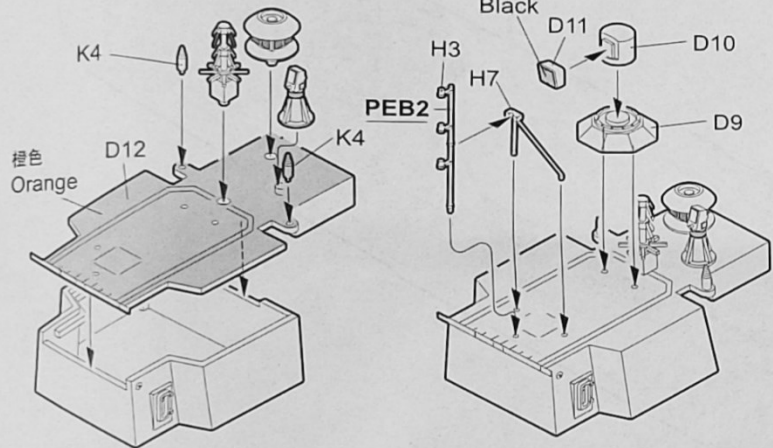
《右舷》 Right

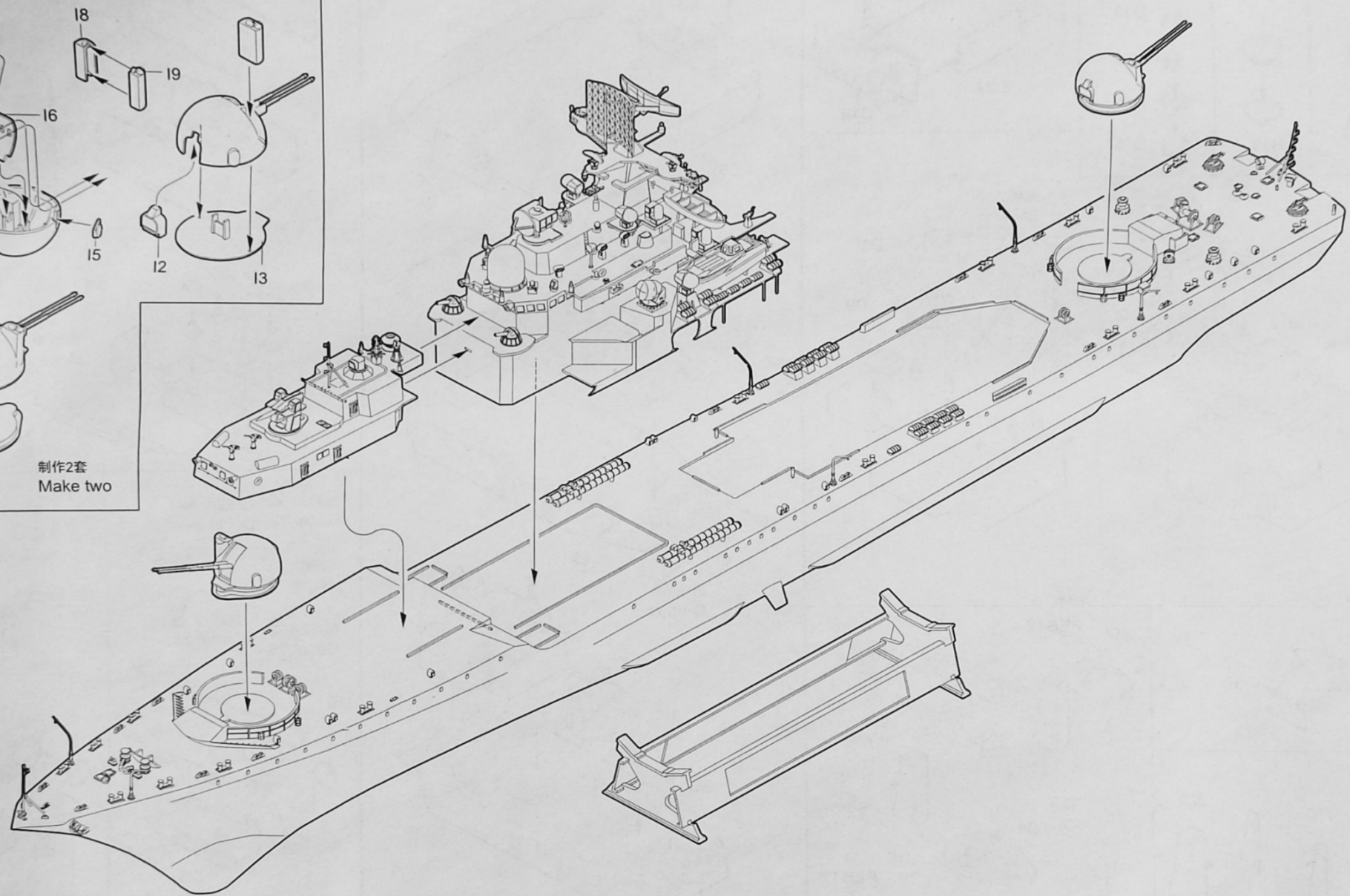
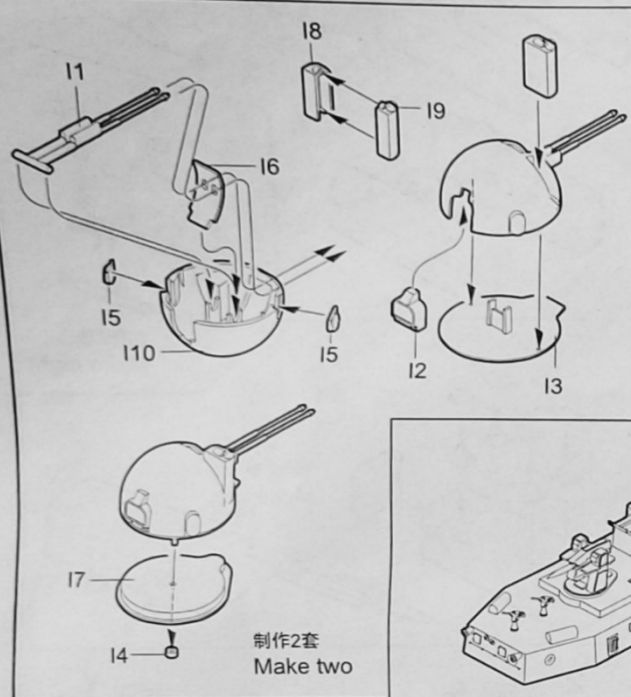


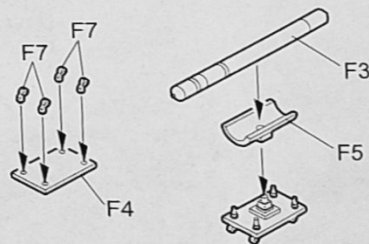
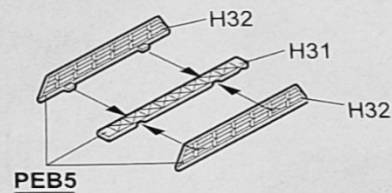
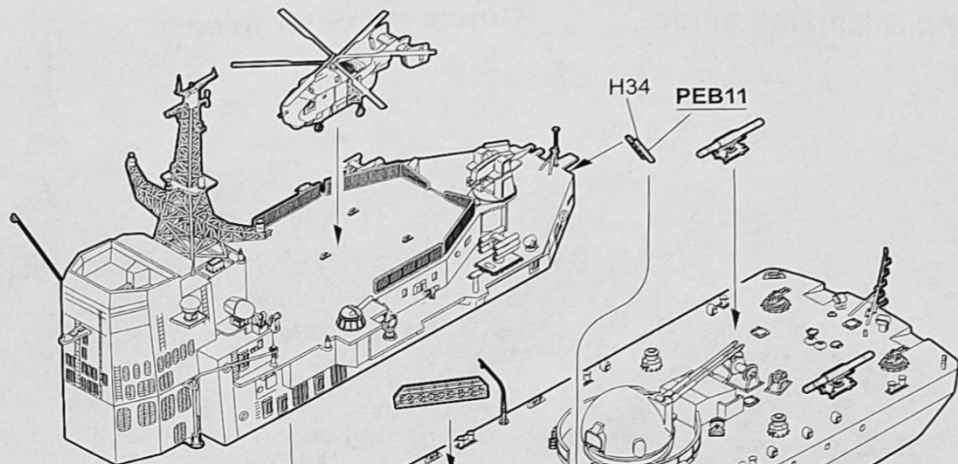
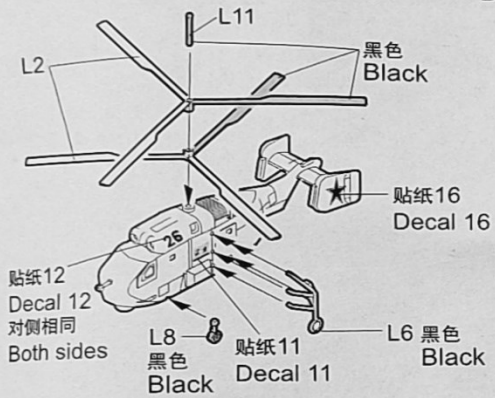
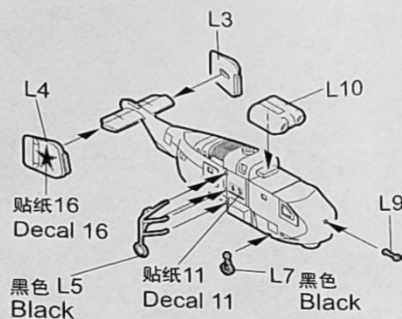
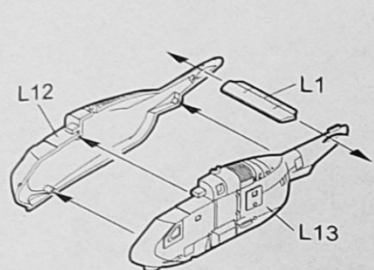
贴纸22、24、26、28 Decal 22, 24, 26, 28



贴纸21、23、25、27 Decal 21, 23, 25, 27





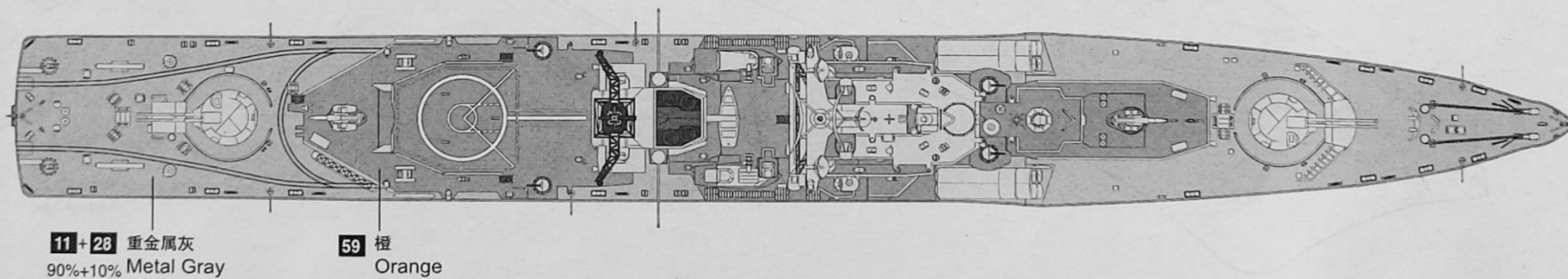
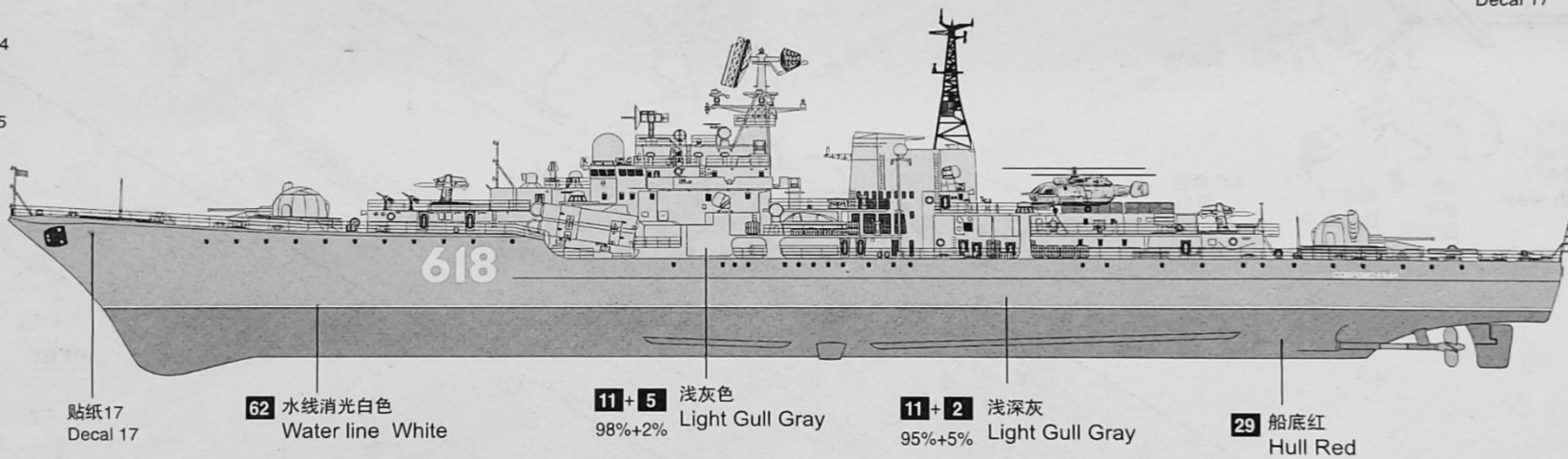
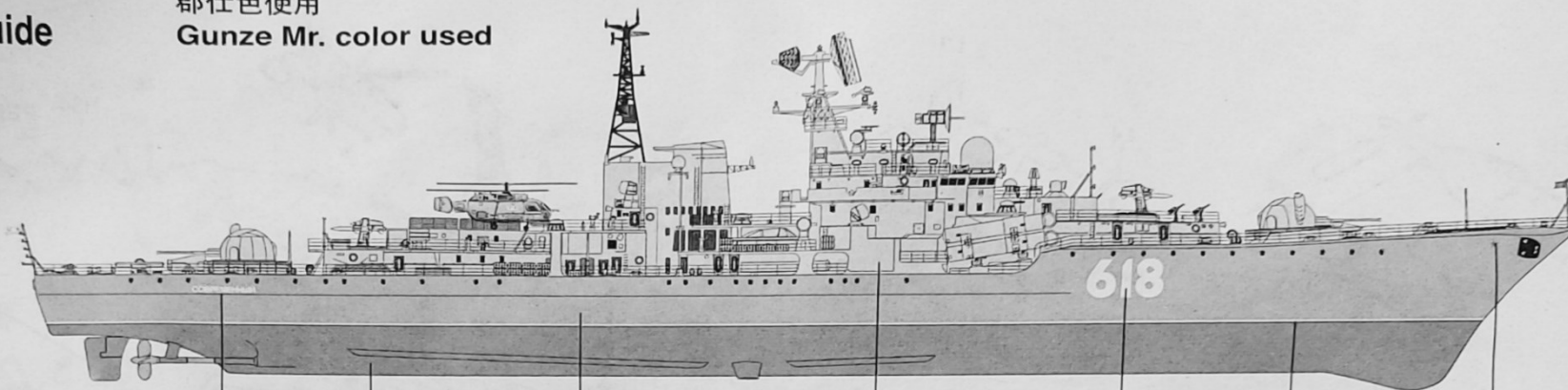


制作2套
Make two

涂装同标贴指示 Painting & Marking guide

郡仕色使用
Gunze Mr. color used

- 684 贴纸2
Decal 2
- 434 贴纸3
Decal 3
- 755 贴纸4
Decal 4
- 430 贴纸5
Decal 5



If you want to super detail your ship, then these items below are suggested:

White Ensign Models (www.whiteensignmodels.com)

WEM 1/200 Sovremenny 956E Supplemental Set (PE 2006)

WEM 1/200 Sovremenny (PE 2001)

North Star Models (www.northstarmodels.com)

1/200 RBU-1000 Smerch-3 set parts for 4 launchers (NSA200023)

1/200 6 pcs of Soviet Russian Navy AK-630 30mm multi-barrel weapons systems (NSA200018)

HobbyLink Japan (www.hlj.com)

Veteran Models - Russia MR-184 Kite Screech Fire Control Radar (VTMM20072)

Veteran Models - Russia Kashtan CIWS (VTMM20075)

Veteran Models - Russia AK-130 130mm 70Cal Twin Guns Mount (VTMM20071) - If you are going to build the Sovremenny its strongly suggested that you at least upgrade the 130mm as the guns in the kit has the wrong shape.

Colours

Sovereign Hobbies (www.sovereignhobbies.co.uk)

Colourcoats Enamel Paint M11 - Russian Northern Fleet Grey

Colourcoats Enamel Paint M13 - Russian Deck Red (instructions say "orange" but correct color is "Deck Red")

Colourcoats Enamel Paint M12 - Russian Deck Green

Colourcoats Enamel Paint M20 - Russian Baltic Fleet Grey



Paints come in small "Humbrol size 14ML / ½ oz tins" so be sure to order enough paint. NB! This is enamel paint! Not acrylic. Before you use any of paints, be sure to thoroughly mix them by shaking the paint in the tin thoroughly. After shaking, remove the lid and stir the paint. If you do not thoroughly mix the paint, it will come out uneven and with a gloss surface. I found this out when I tested the paint for the first time. I only shook the tin for a little bit, and then applied the paint without stirring it first. Suffice to say, the paint did not perform as expected. This is what I get for using water-based paints for too long! I found that if I took my time and thoroughly mixed the paint, I achieved much better results and the paint worked beautifully.

Thinning: These paints can be thinned with regular paint thinner, Mineral Spirits, or Lacquer Thinner. But be sure to use a good quality Lacquer Thinner!