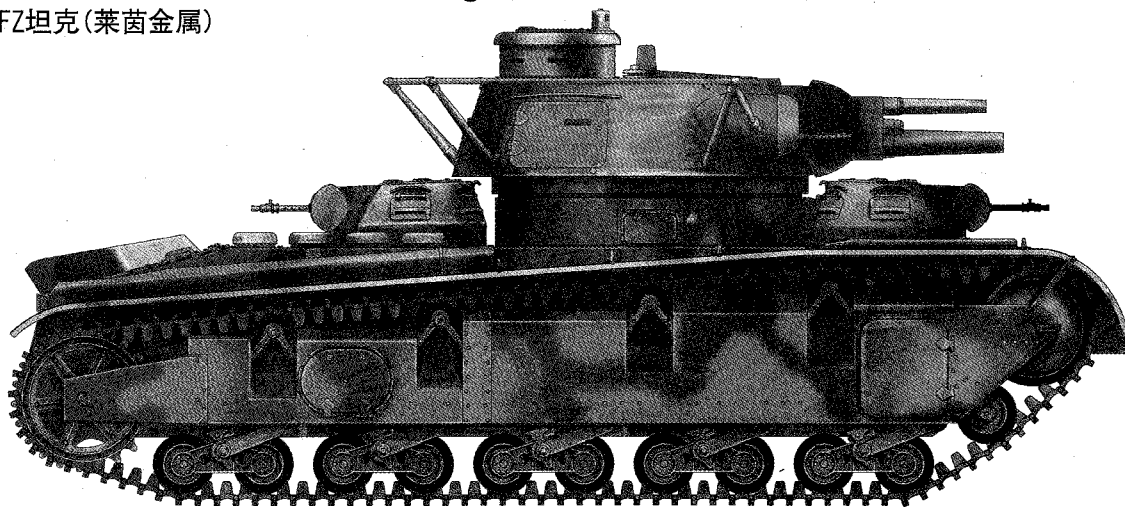


German Neubaufahrzeug (Rheinmetall)

德国NBFZ坦克(莱茵金属)



READ BEFORE ASSEMBLY:

- Study and understand these instructions thoroughly before beginning assembly
- When needed, remove photo-etch parts carefully using a modeling knife or photo etch sprue cutter, being careful not to damage or lose small parts.
- Take extra care in handling photo etch parts in order to avoid injury
- Apply instant cement sparingly to photo etch parts where instructed
- Tools recommended(not included in kit):Plastic and instant cements, sprue cutters,long nose pliers,modeling knife, small files, tweezers, pin vise & scissors. Soft cloth and sandpaper will also assist in construction
- Glue and paint are not included in the kit. Use plastic cement and hobby paints only. Color guide for purchasing paint is included in the kit.

装配之前仔细阅读

- 小心用模型锉刀锉平所有零件表面的注射浇口。
- 小心用刀片切下蚀刻片零件，不要遗失小零件。
- 用强力快干胶水粘合蚀刻片零件和金属轴。过量快干胶水使用可能导致可动零件会粘住，小心涂胶。
- 取蚀刻片时应特别注意安全，防止利边划伤手指。
- 某些零件表面需贴上水贴纸，请选择在装配的同时进行。
- 推荐模型工具(自备)：胶水，水口剪刀，长咀钳，刀片，锉刀，镊子，钳，钻，剪刀，瞬间快干胶。
- 软布同砂纸同时也应该是必备工具。
- 请使用塑料胶水和油漆，模型内不含。



配重
Weight



使用强力胶
Cyanoacrylate glue



钻孔
Make hole



切除
Cut / Remove



贴纸
Decal



锉平
File / Sand



选择
Option



不涂胶水
No cement



弯曲
Bend

水贴纸的使用:

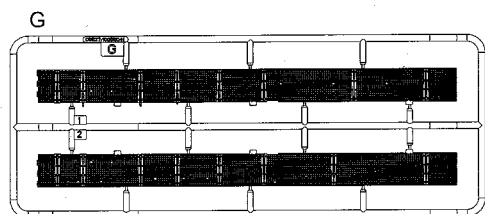
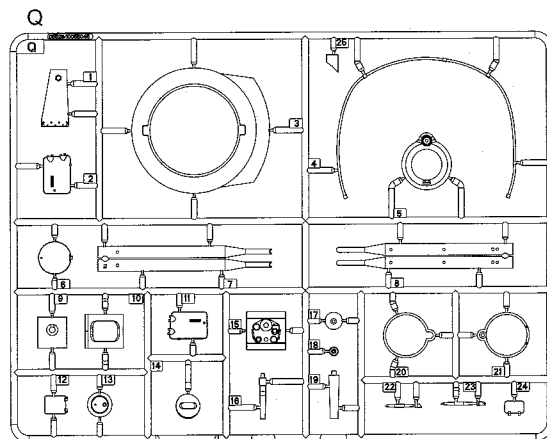
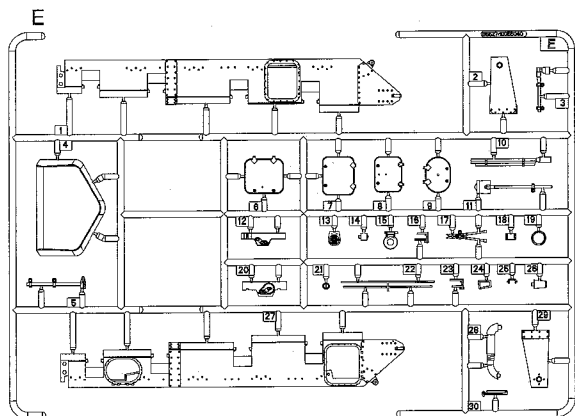
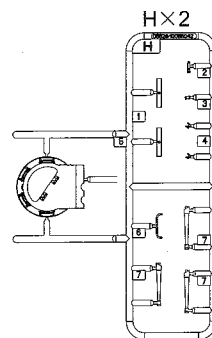
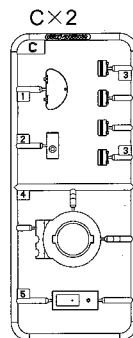
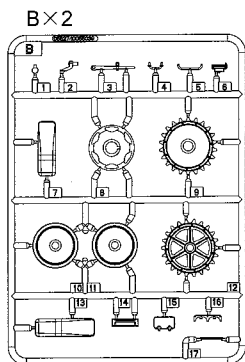
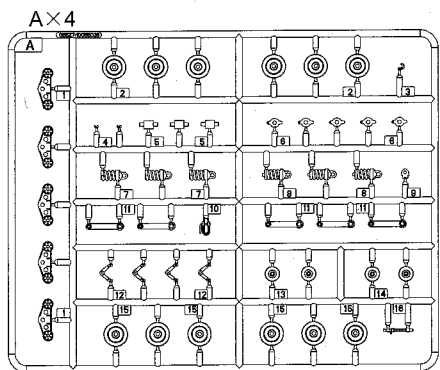
- 1.从水贴上剪下印花;
- 2.将印花放入温水中浸10秒, 然后放在干净布上。
- 3.拿着印花纸板将印花移到模型上;
- 4.手指蘸水将印花移到适当的位置;
- 5.用软布轻压印花直至水干, 气泡消失

DECAL APPLICATION

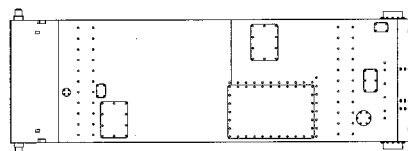
- 1.Cut decals from sheet as needed
- 2.Dip the decal in warm water for about 10 seconds and then place on soft clean cloth.
- 3.Hold the decal backing sheet edge and gently slide the decal onto the model in its proper position.

- 4.While still wet,decal can be adjusted for better fit on model by dampening it gently with your finger.
- 5.When placed in the proper position,gently press decal down with a soft cloth until excess water and air bubbles are gone.
- 6.Allow decal to dry completely before handling model

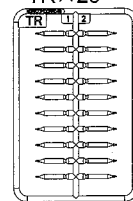
部品图
Parts



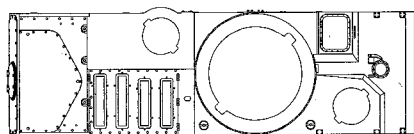
《车底》
Lower hull



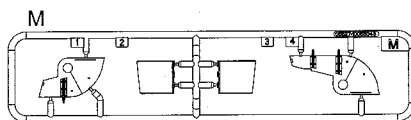
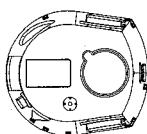
TR×28



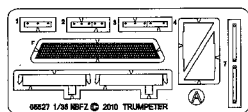
《车面》
Upper hull



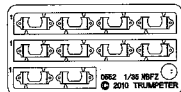
《炮塔》
Turret



《蚀刻片A》
PE-A



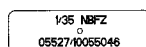
《蚀刻片C》
PE-C



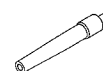
《履带》
Track × 140



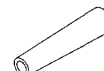
《固定板》
Board



《金属炮管C》
Metal gun barrel C

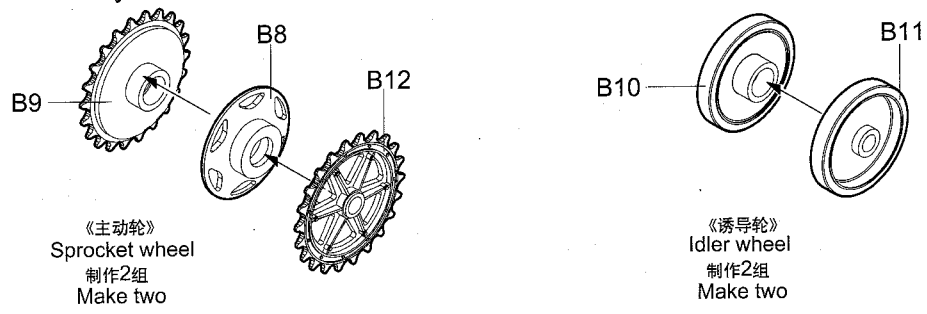


《金属炮管D》
Metal gun barrel D

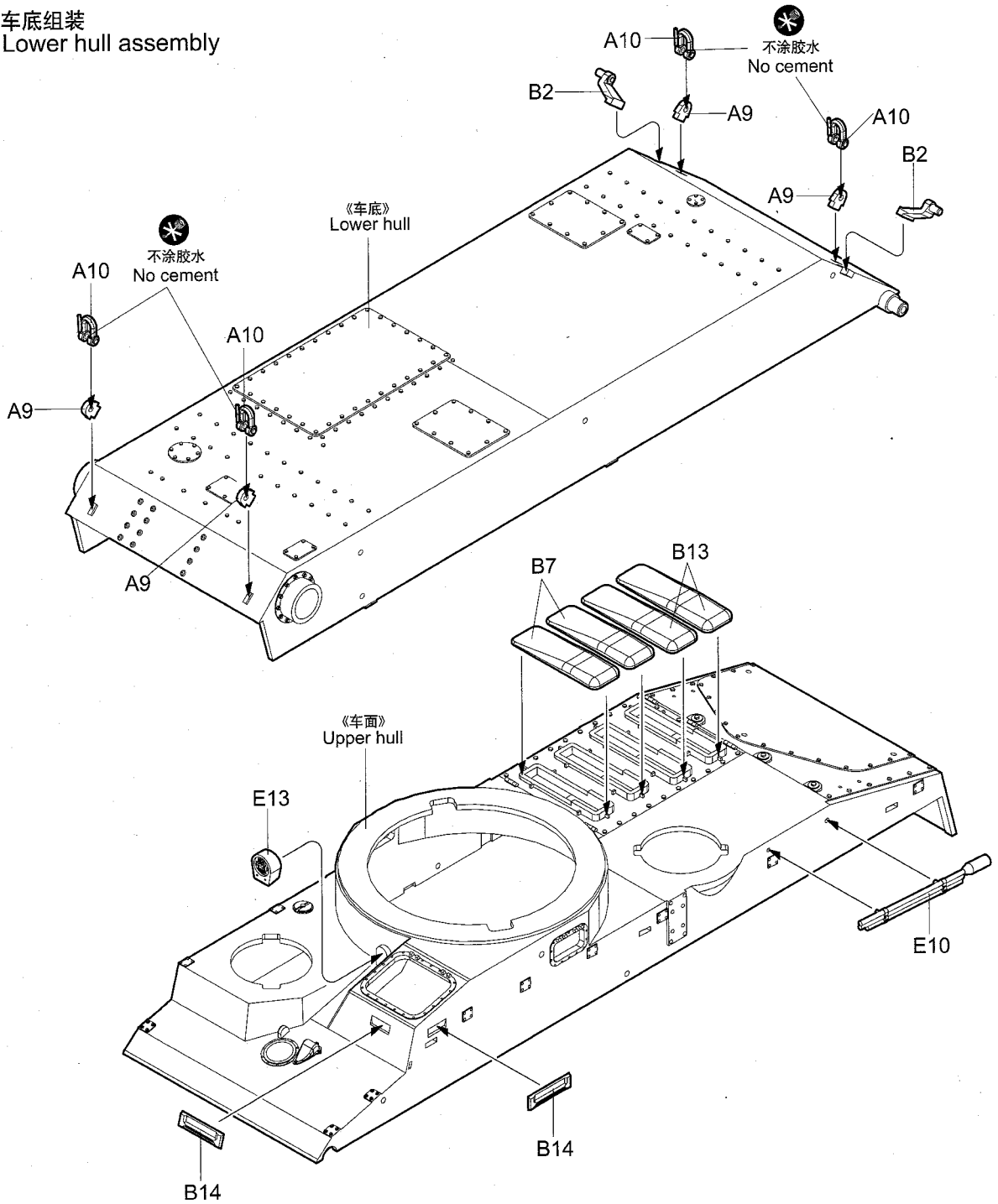


不用部品: E29, PE-A6
Unused parts

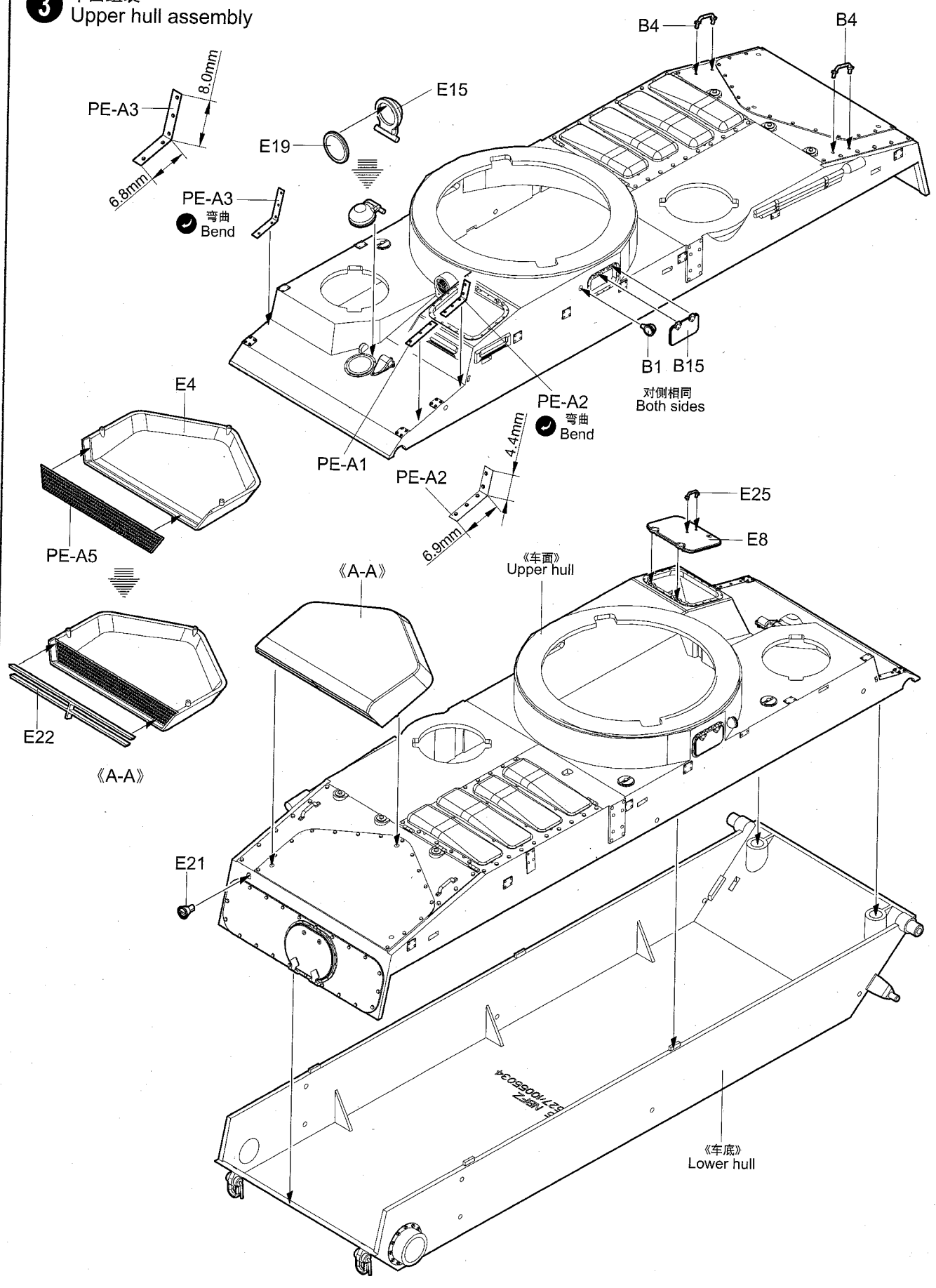
1 车轮组装
Wheels assembly



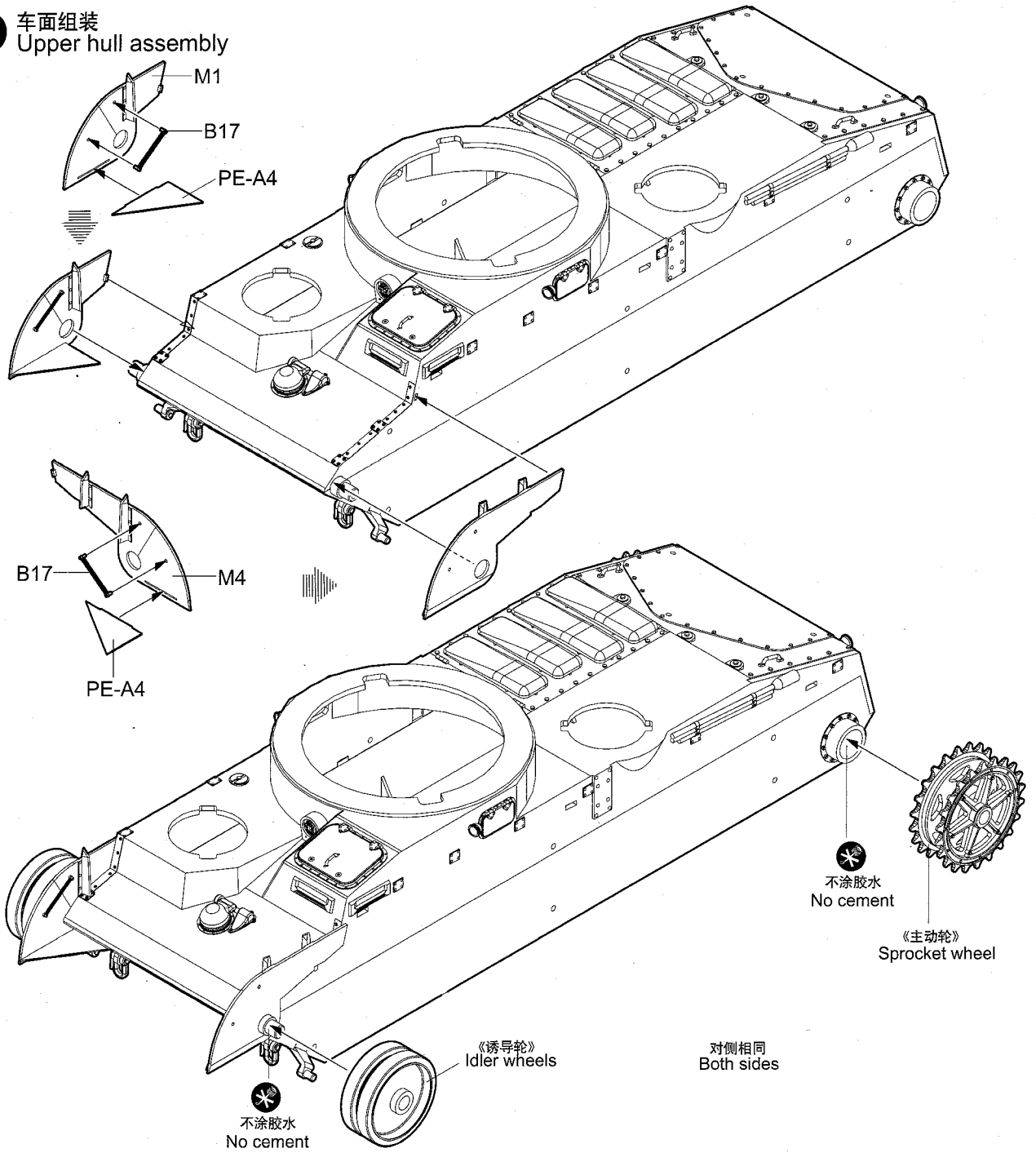
2 车底组装
Lower hull assembly



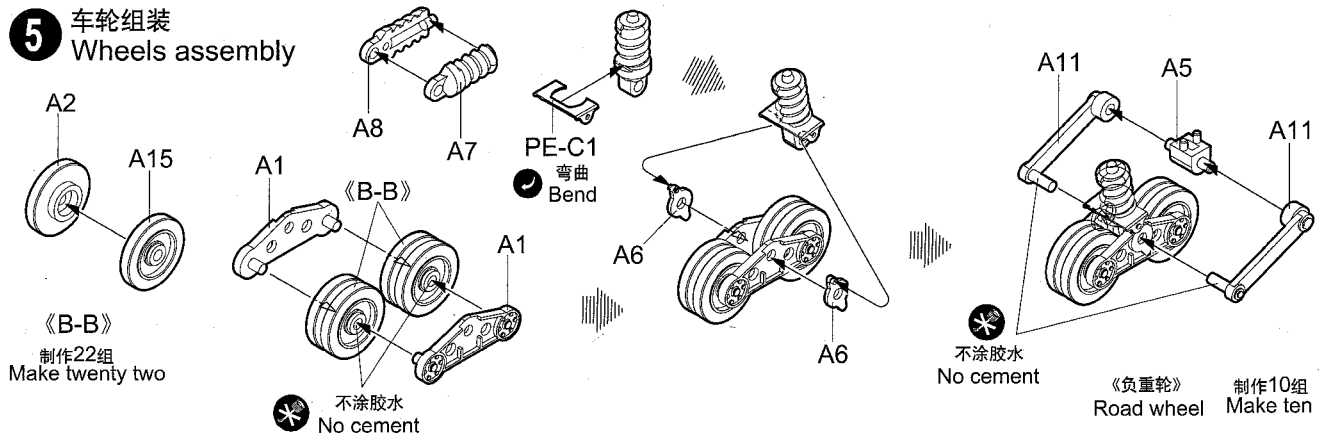
3 车面组装
Upper hull assembly



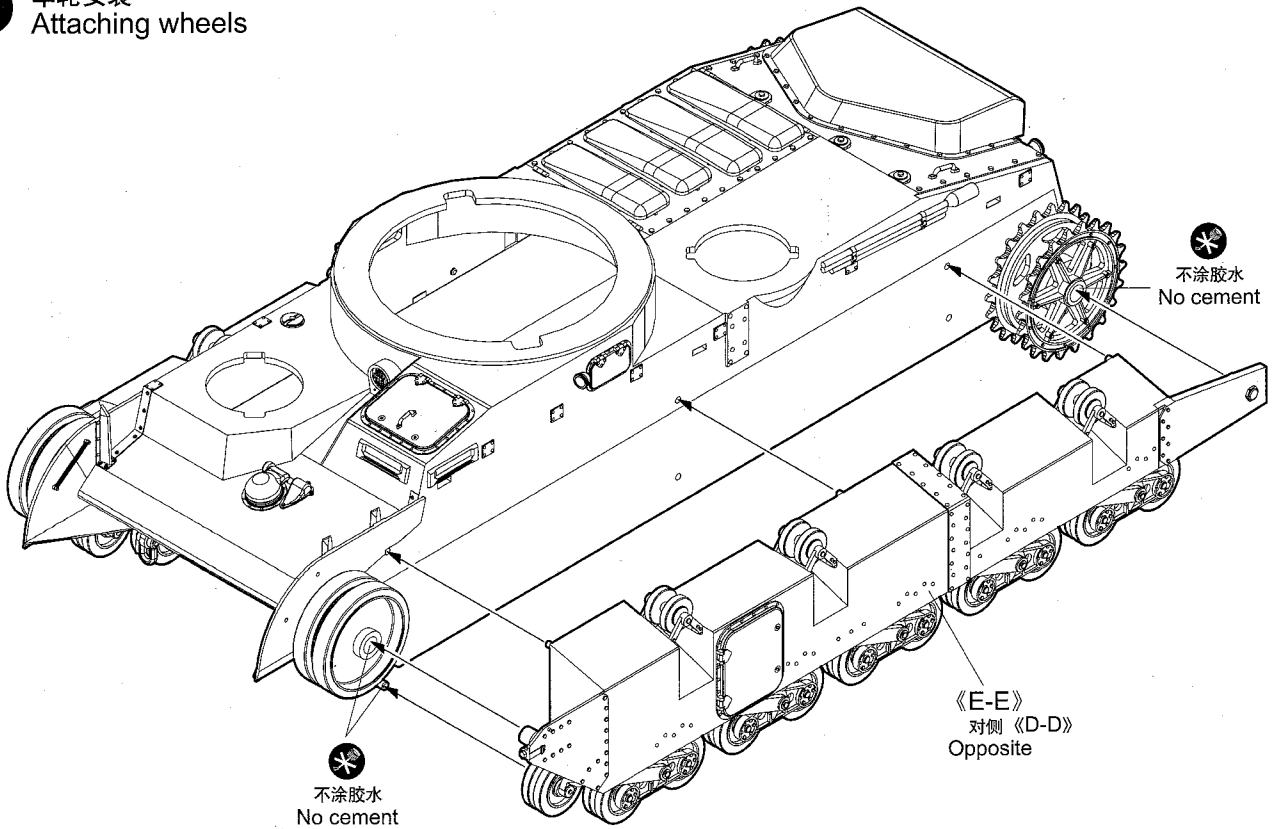
4 车面组装
Upper hull assembly



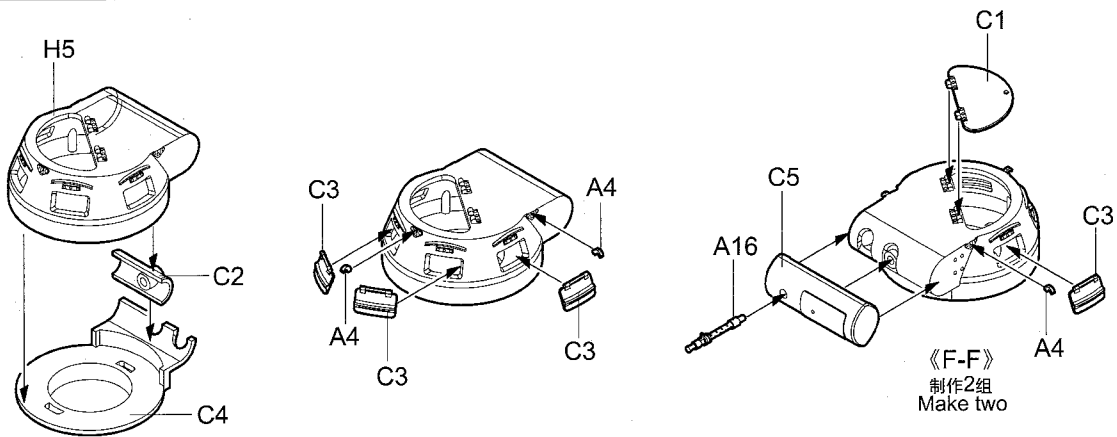
5 车轮组装
Wheels assembly



7 车轮安装
Attaching wheels

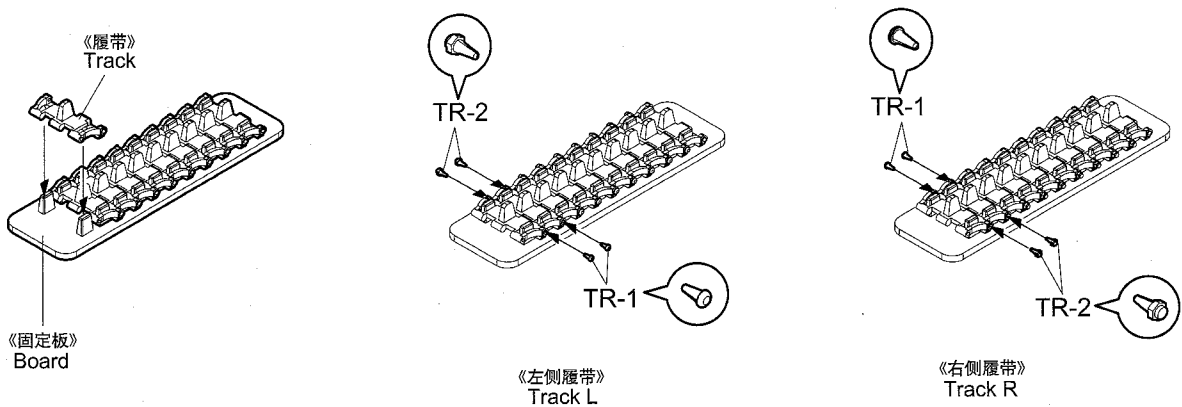


8

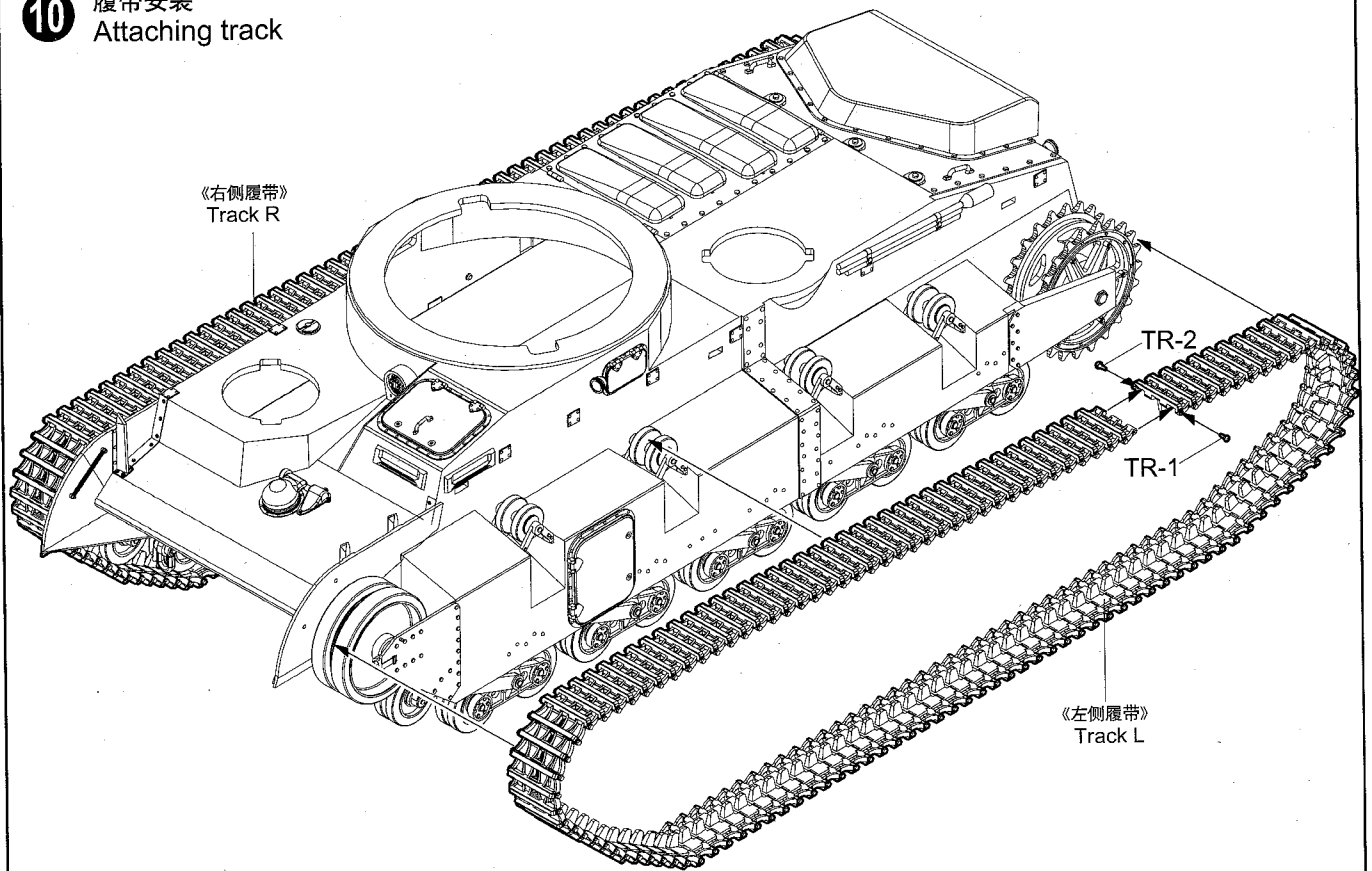


9 履带联接
Track construction

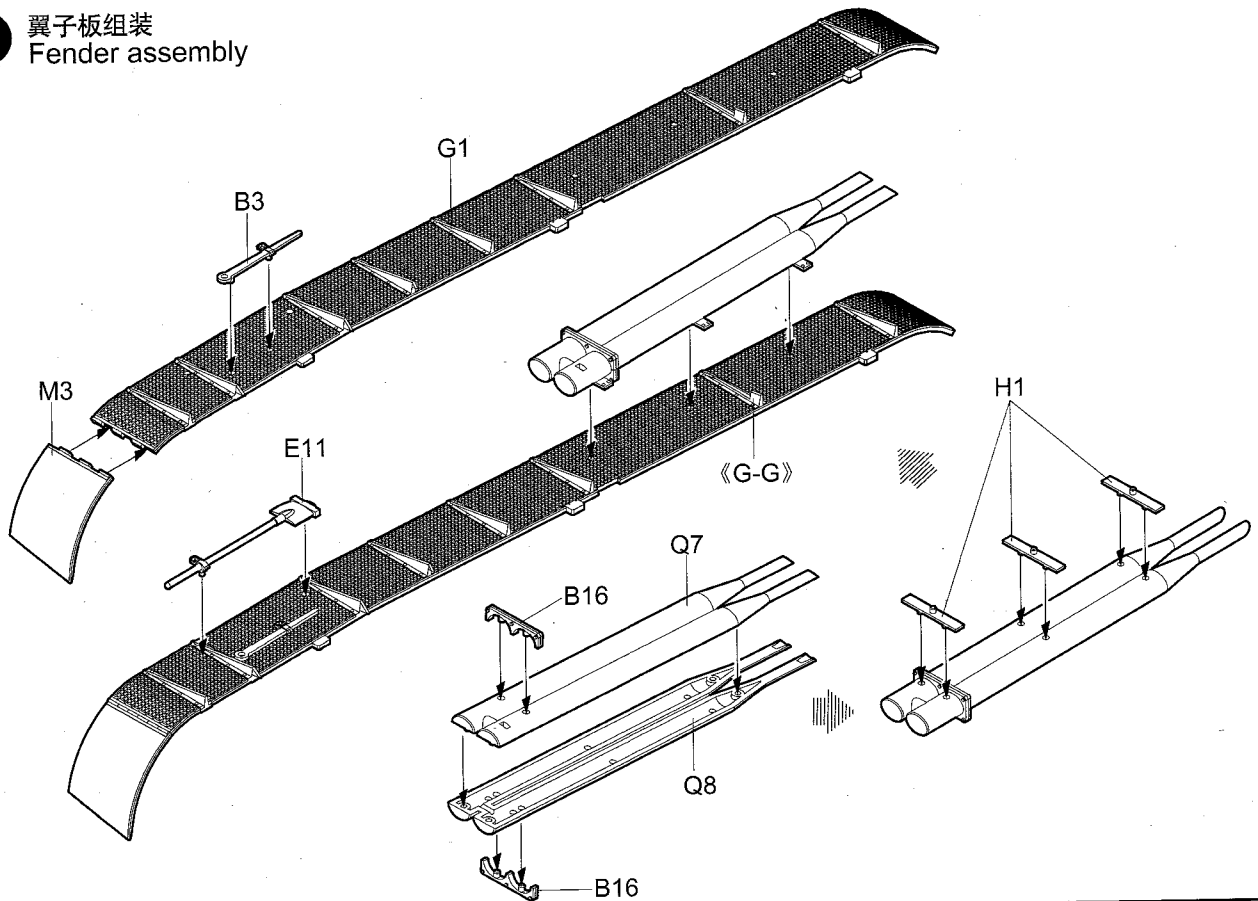
单侧履带需129节
Complete track for one side require 129 links.



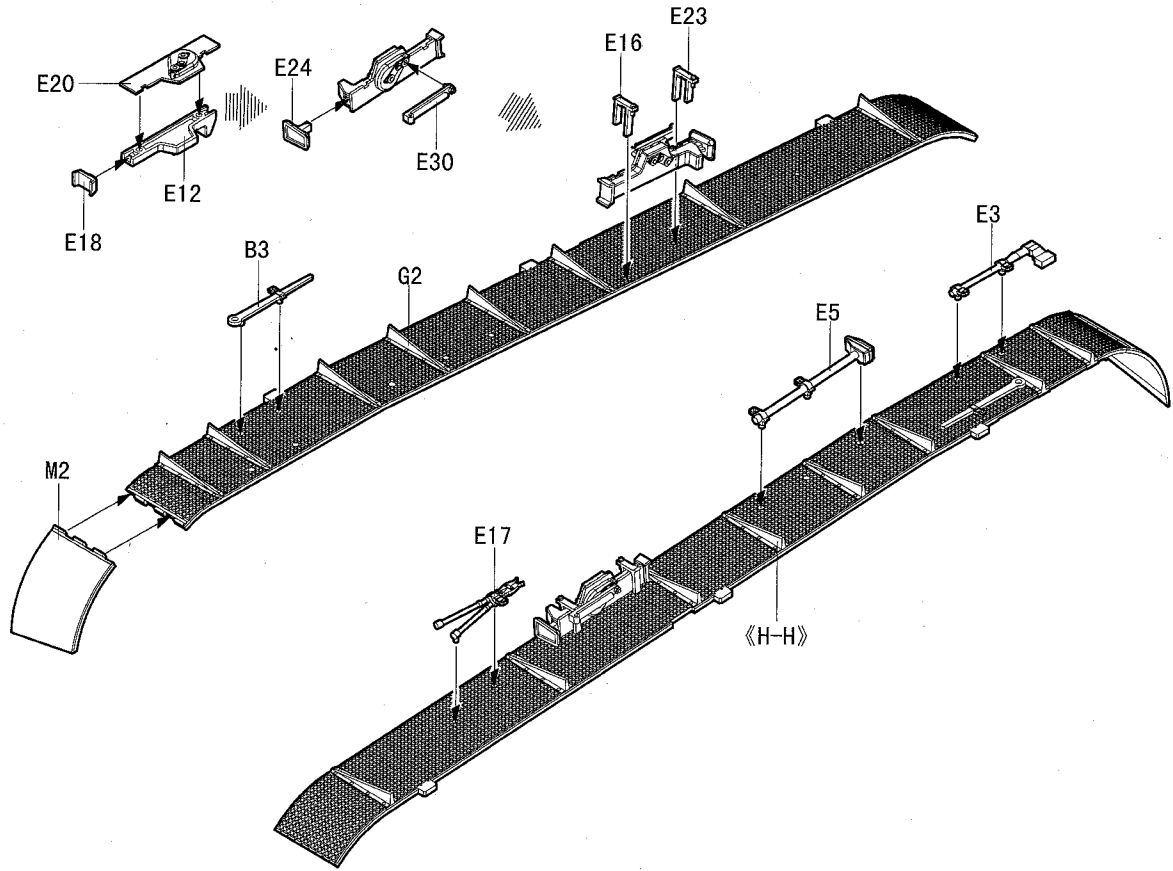
10 履带安装
Attaching track



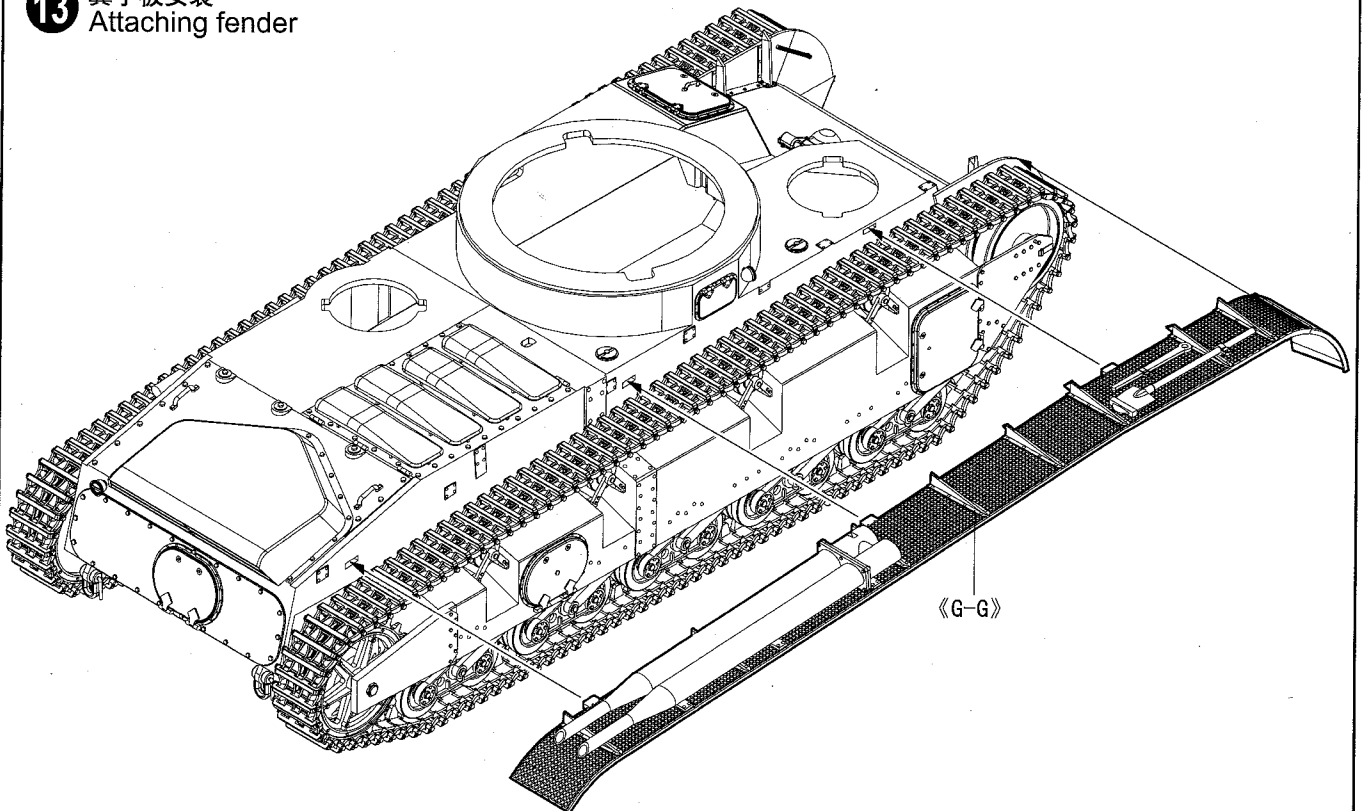
11 翼子板组装
Fender assembly



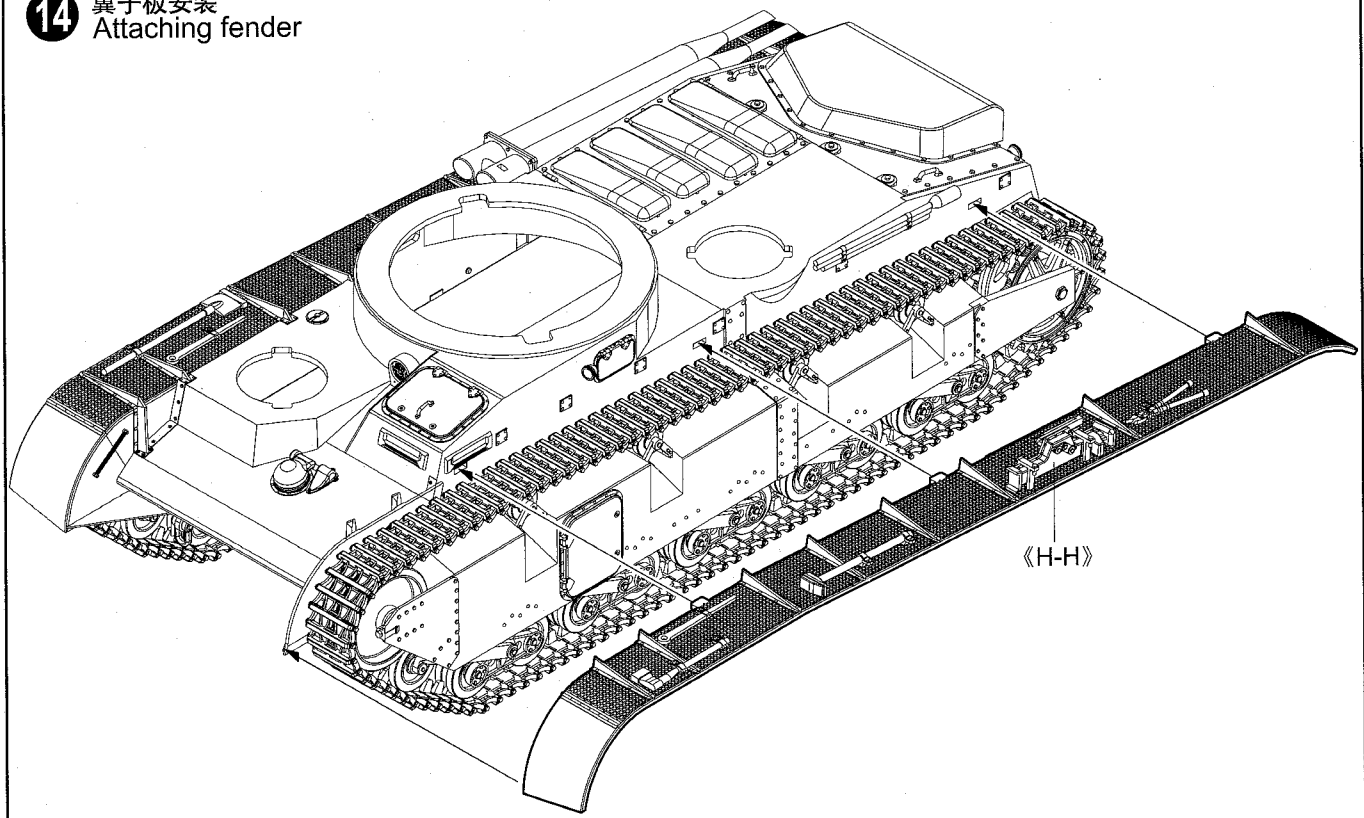
12 翼子板组装
Fender assembly



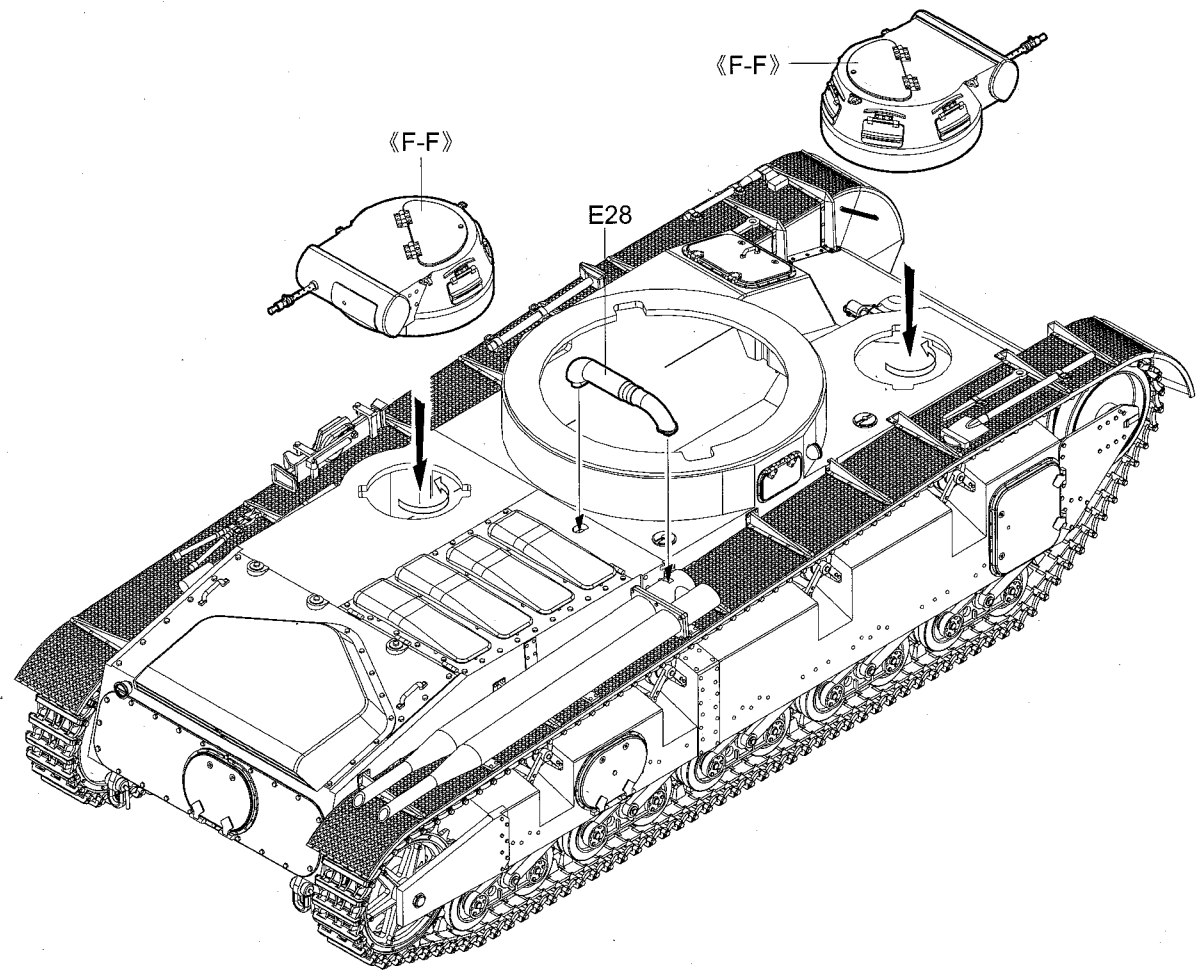
13 翼子板安装
Attaching fender



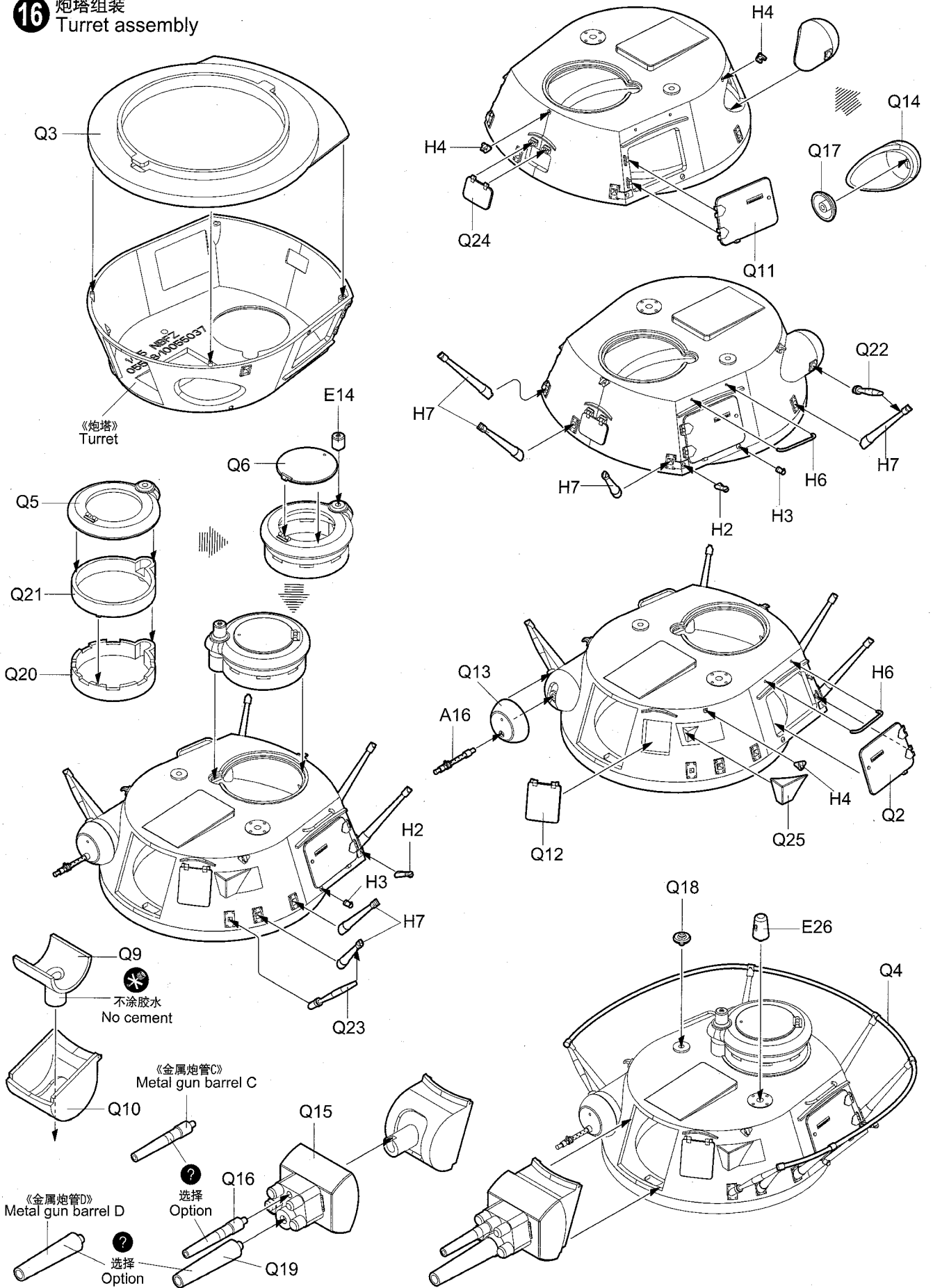
14 翼子板安装
Attaching fender



15

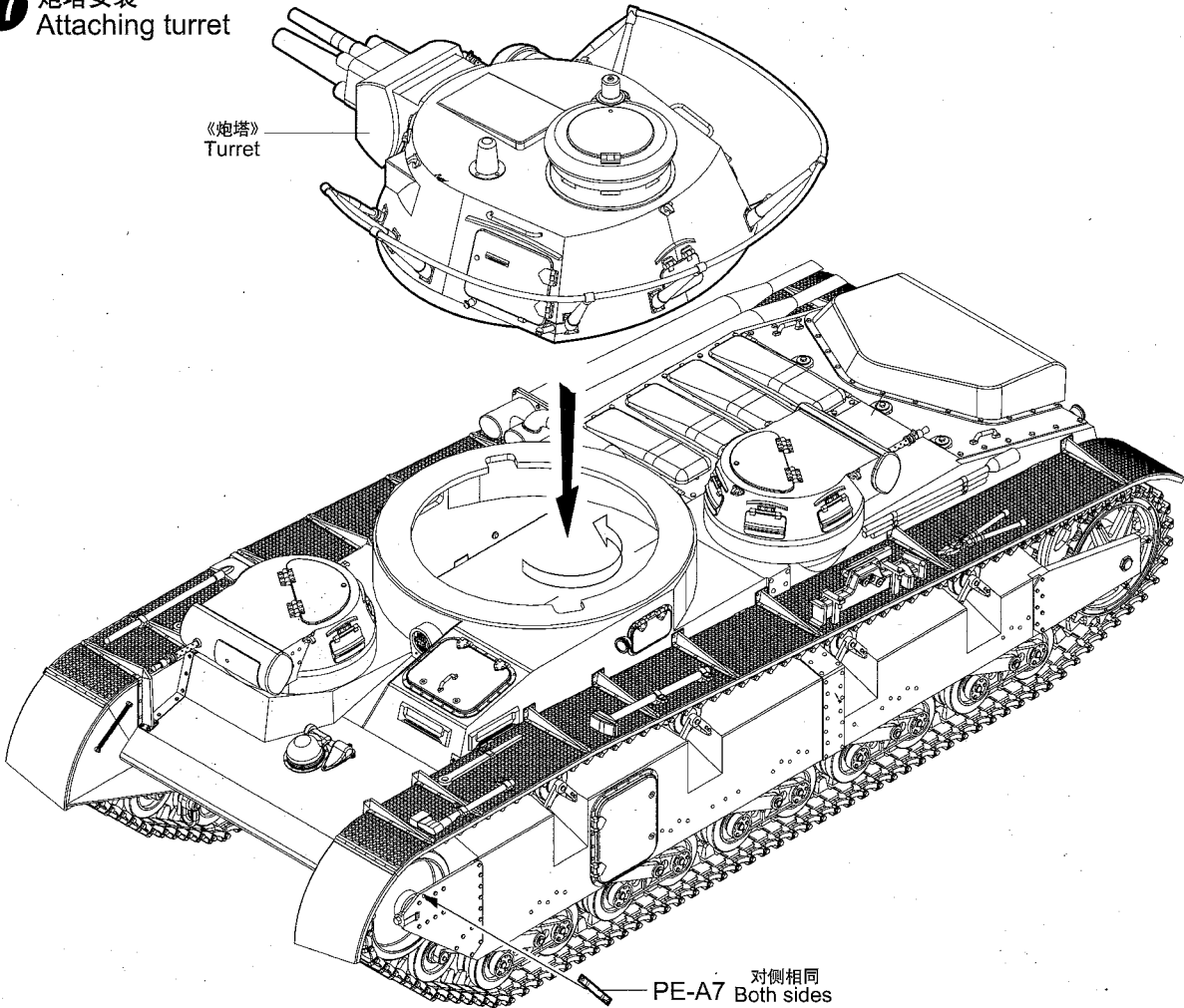


16 炮塔组装
Turret assembly



17 炮塔安装
Attaching turret

《炮塔》
Turret



PE-A7 对侧相同
Both sides

弯曲
Bend

完成
Finish

