

1/48 SCALE

ITEM NO.:02881



# H-34 US MARINES

## 美国H-34直升机 - 海军陆战队

### READ BEFORE ASSEMBLY:

- This kit is not recommended for inexperienced modelers or for children under 14 years of age
- Study and understand these instructions thoroughly before beginning assembly
- When needed, remove photo-etch parts carefully using a modeling knife or photo etch sprue cutter, being careful not to damage or lose small parts.
- Take extra care in handling photo etch parts in order to avoid injury
- Apply instant cement sparingly to photo etch parts where instructed

- Tools recommended(not included in kit):Plastic and instant cements,sprue cutters,long nose pliers,modeling knife, small files, tweezers, pin vise & scissors. Soft cloth and sandpaper will also assist in construction
- Glue and paint are not included in the kit. Use plastic cement and hobby paints only. Color guide for purchasing paint is included in the kit.
- Keep out of reach of children. They must not be allowed to ingest small parts or handle plastic bags in any way.

### 装配之前仔细阅读

- 小心用模型锉刀锉平所有零件表面的注射浇口。
- 小心用刀片切下蚀刻片零件，不要遗失小零件。
- 用强力快干胶水粘合蚀刻片零件和金属轴。过量的快干胶水使用可能导致可动零件会粘住，小心涂胶。
- 取蚀刻片时应特别注意安全，防止利边划伤手指。
- 某些零件表面需贴上水贴纸，请选择在装配的同时进行。
- 推荐模型工具(自备)：胶水，水口剪刀，长咀钳，刀片，锉刀，镊子钳，钻，剪刀，瞬间快干胶。
- 软布同砂纸同时也应该是必备工具。
- 请使用塑料胶水和油漆，模型内不含。
- 谨防小孩吸吮塑料零件，或者将塑料袋套在头上，制作时应将套材远离小孩接触。
- 本产品不适合14岁以下没有经验的模型爱好者。

### 水贴纸的使用:

1. 从水贴纸上剪下印花;
2. 将印花放入温水中浸10秒，然后放在干净布上。
3. 拿着印花纸板将印花移到模型上;
4. 手指蘸水将印花移到适当的位置;
5. 用软布轻压印花直至水干，气泡消失。

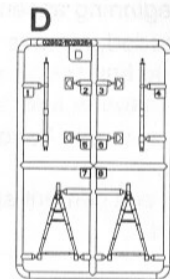
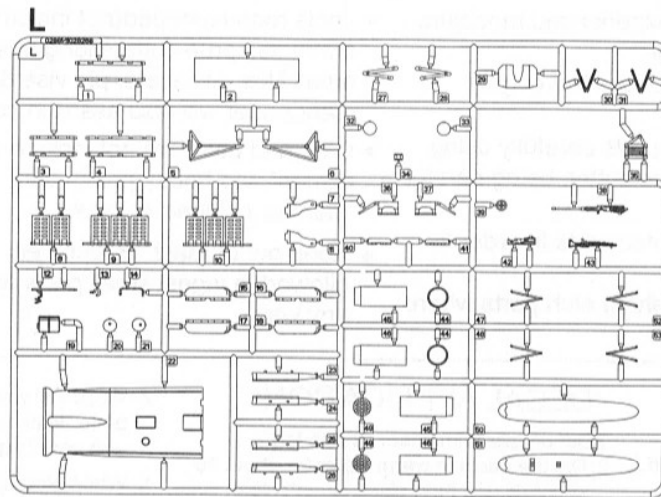
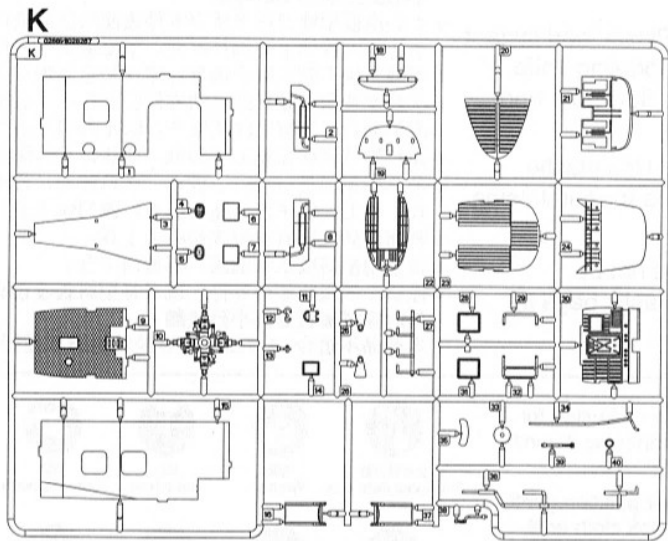
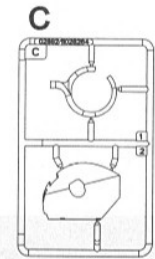
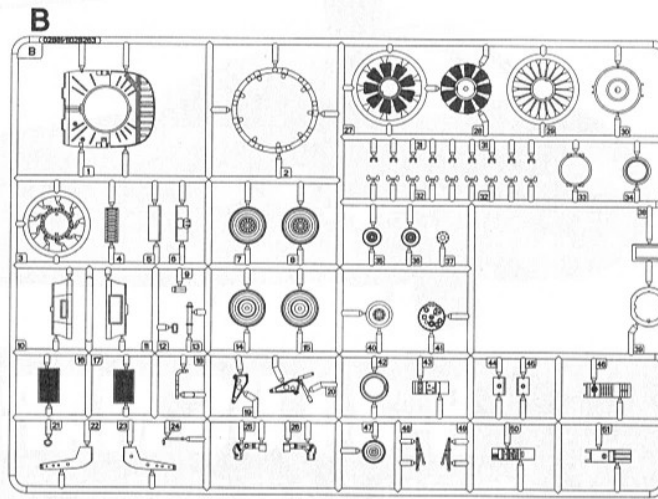
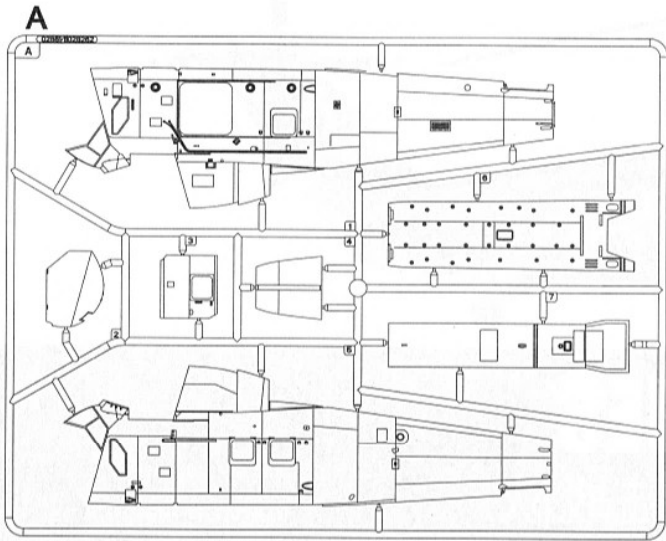
### DECAL APPLICATION:

1. Cut decals from sheet as needed
2. Dip the decal in warm water for about 10 seconds and then place on soft clean cloth.
3. Hold the decal backing sheet edge and gently slide the decal onto the model in its proper position.

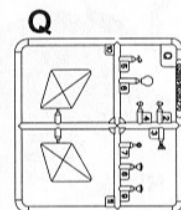
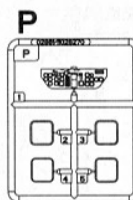
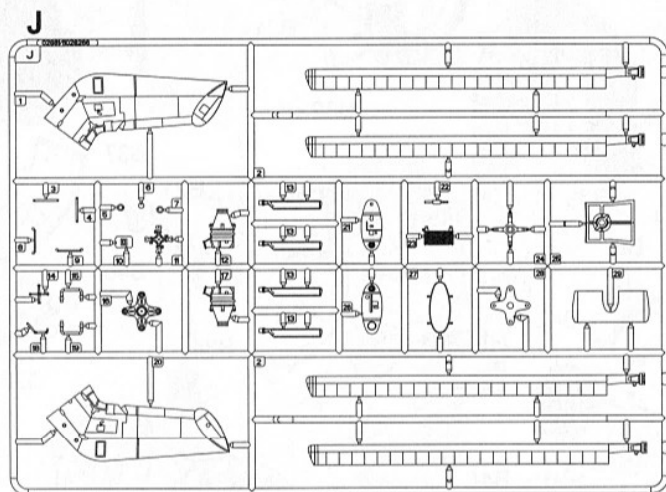
4. While still wet, decal can be adjusted for better fit on model by dampening it gently with your finger.
5. When placed in the proper position, gently press decal down with a soft cloth until excess water and air bubbles are gone.
6. Allow decal to dry completely before handling model



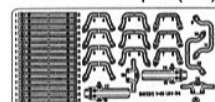
部品图  
Parts



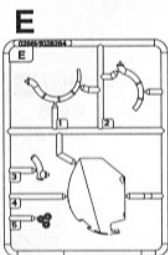
部品图  
Parts



《蚀刻片》A  
Photo etched part(PE)



《蚀刻片》B  
Photo etched part(PE)



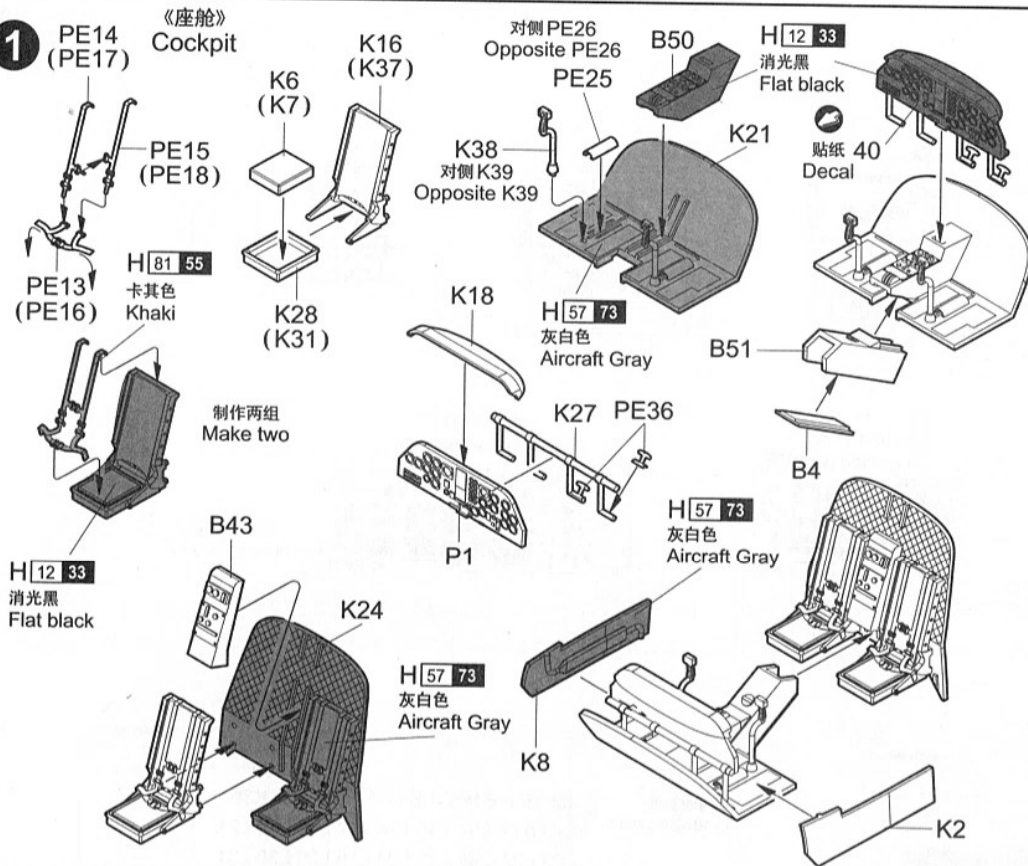
《水贴》  
Decal



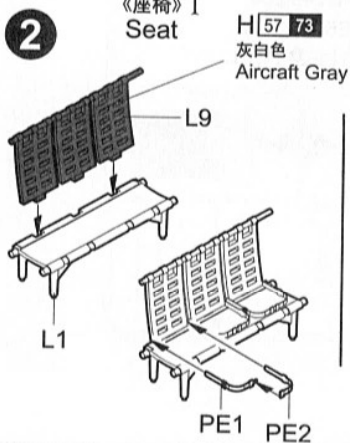
不用的部件:  
Unused parts

- B2 B13 B16 C1 E4 K11 K12 K32 K36
- L2 L5 L6 L14 L15 L16 L17 L18 L20 L21
- L22 L32 L33 L23 L24 L25 L26 L30 L31
- L36 L37 L40 L41 L44 L45 L46 L49 L50
- L51 Q2 Q4 PE3 PE4 PE5 PE6 PE7 PE8
- PE9 PE10 PE11 PE12 PE23 PE24 PE31
- PE39 PE51 PE57 P5

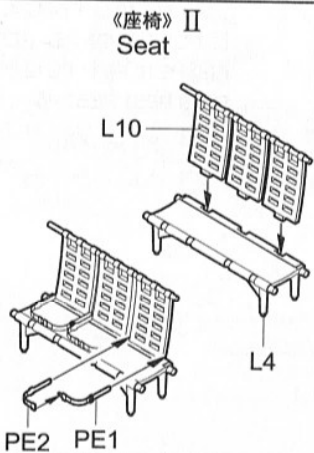
**1** 《座舱》  
Cockpit



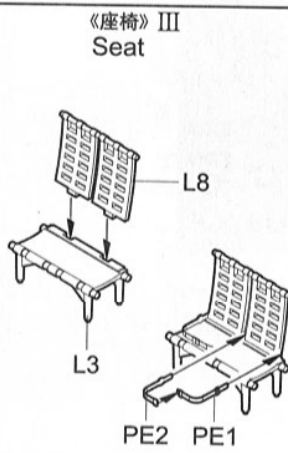
**2** 《座椅》I  
Seat



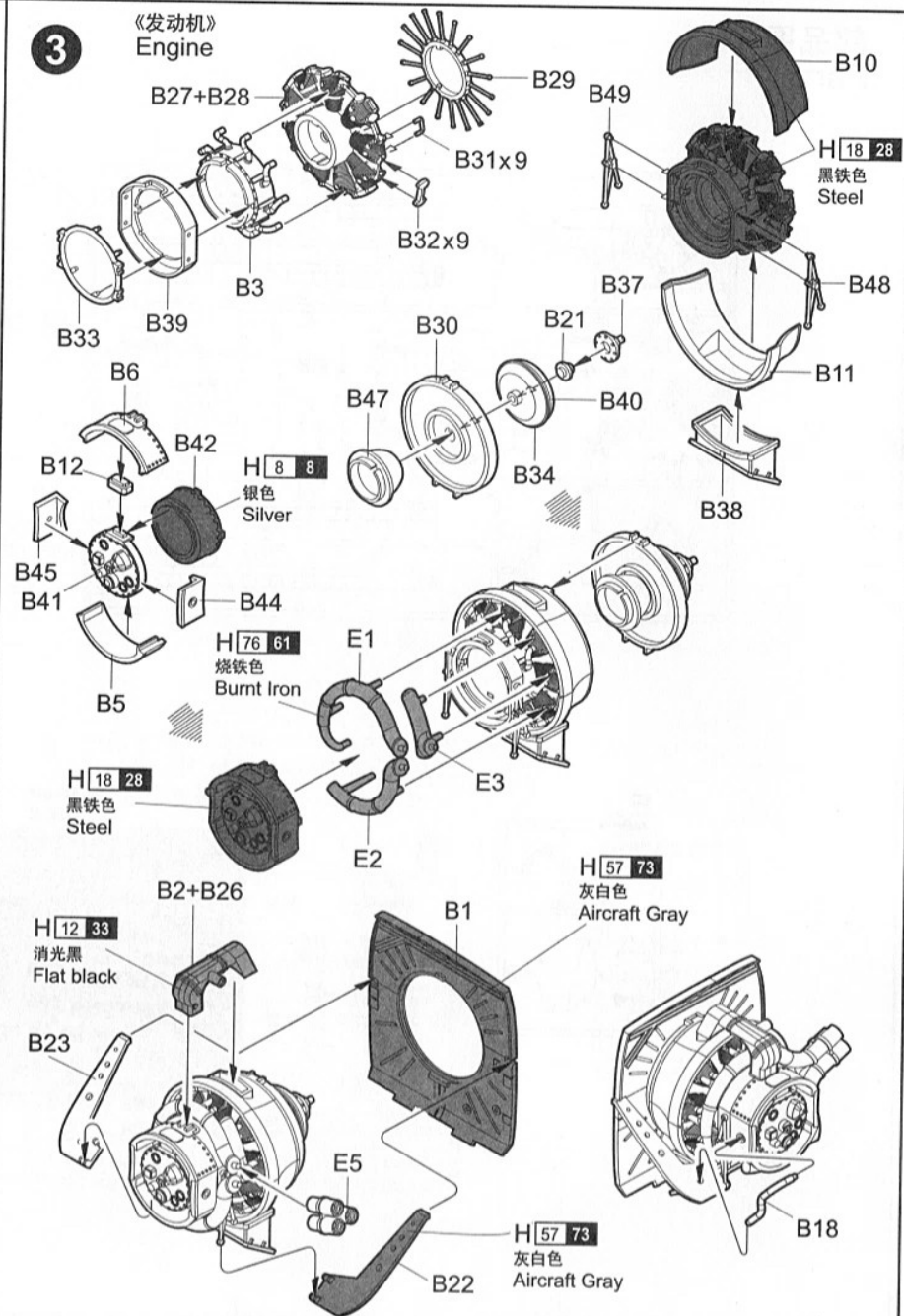
《座椅》II  
Seat



《座椅》III  
Seat



**3** 《发动机》  
Engine

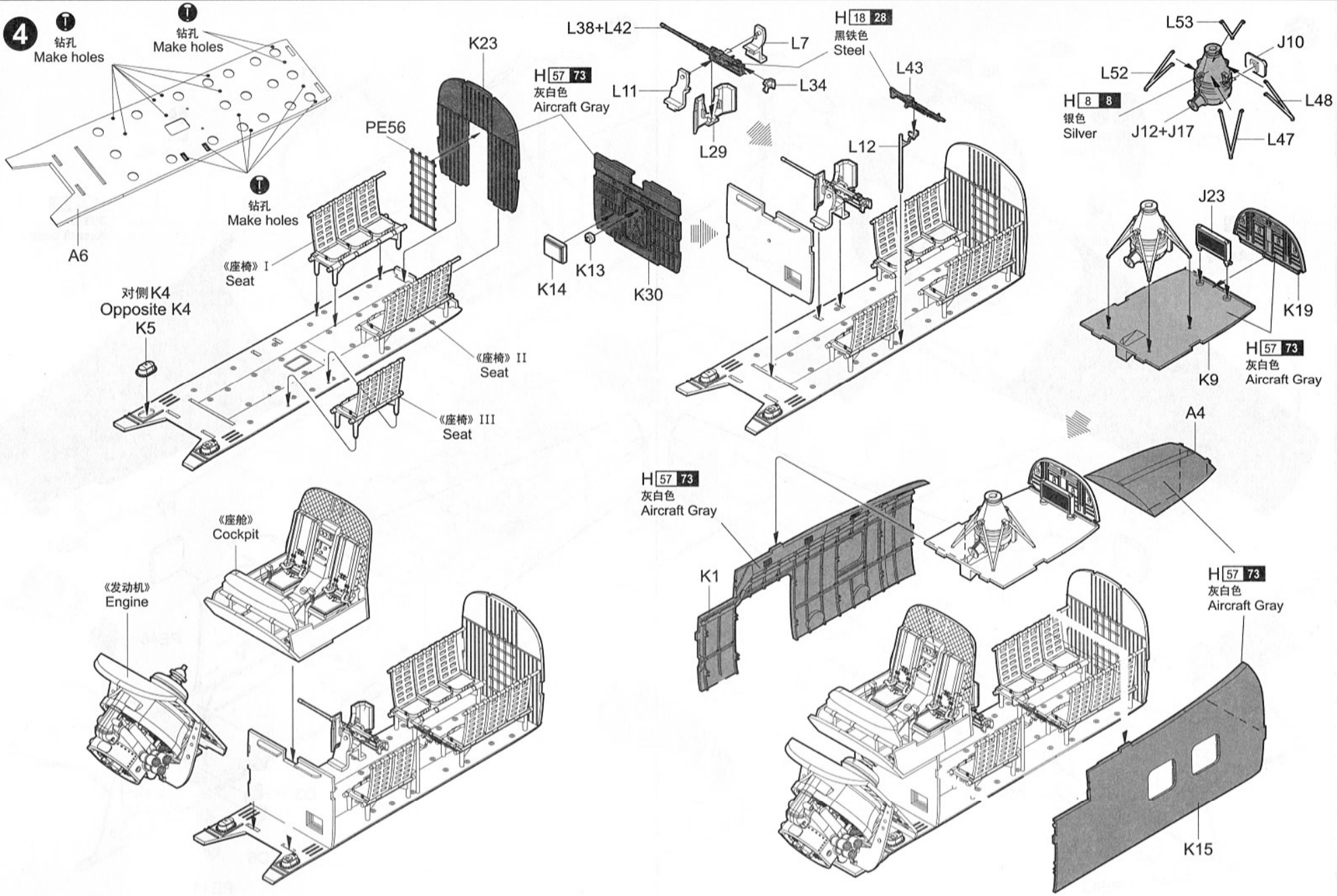


4

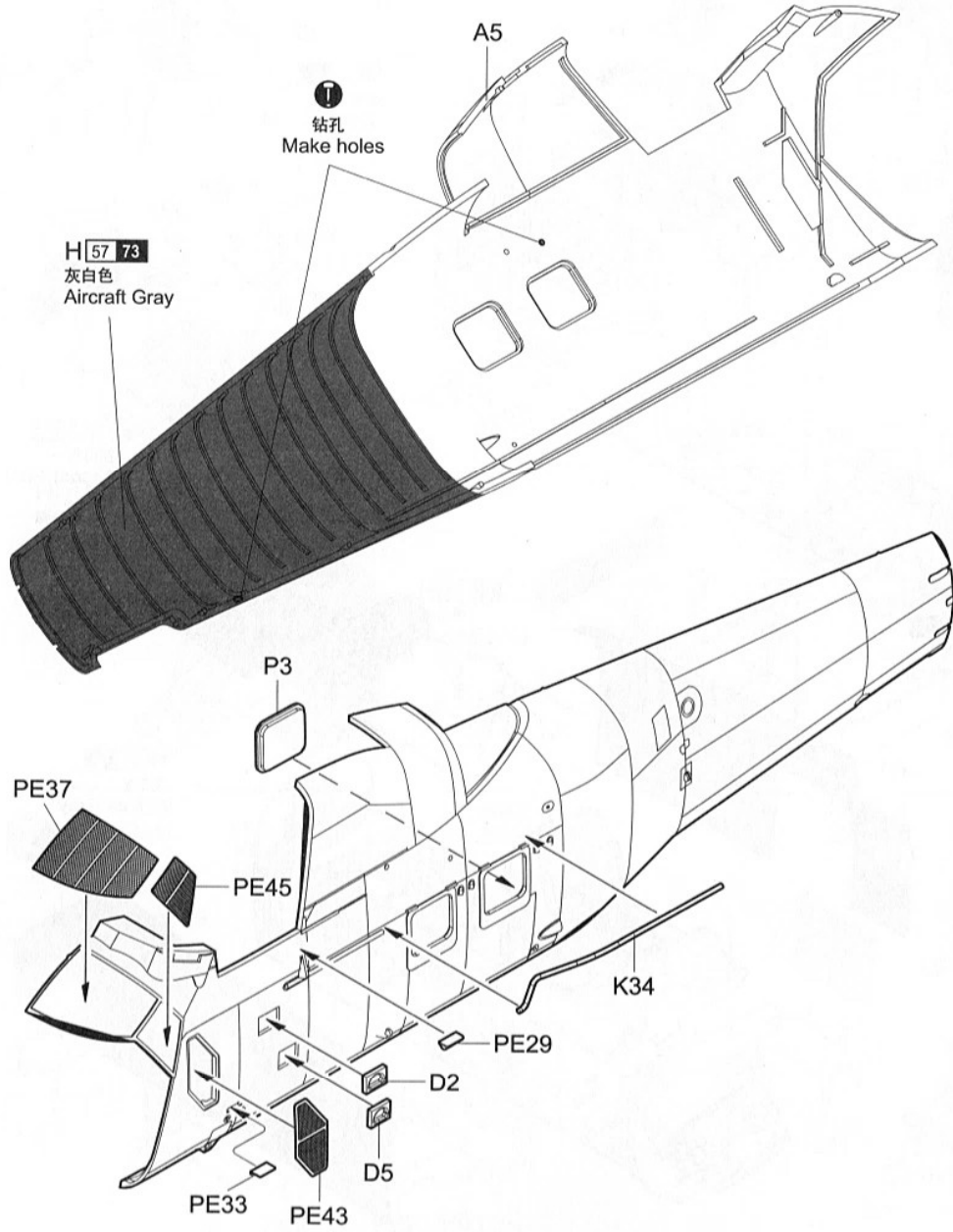
钻孔  
Make holes

钻孔  
Make holes

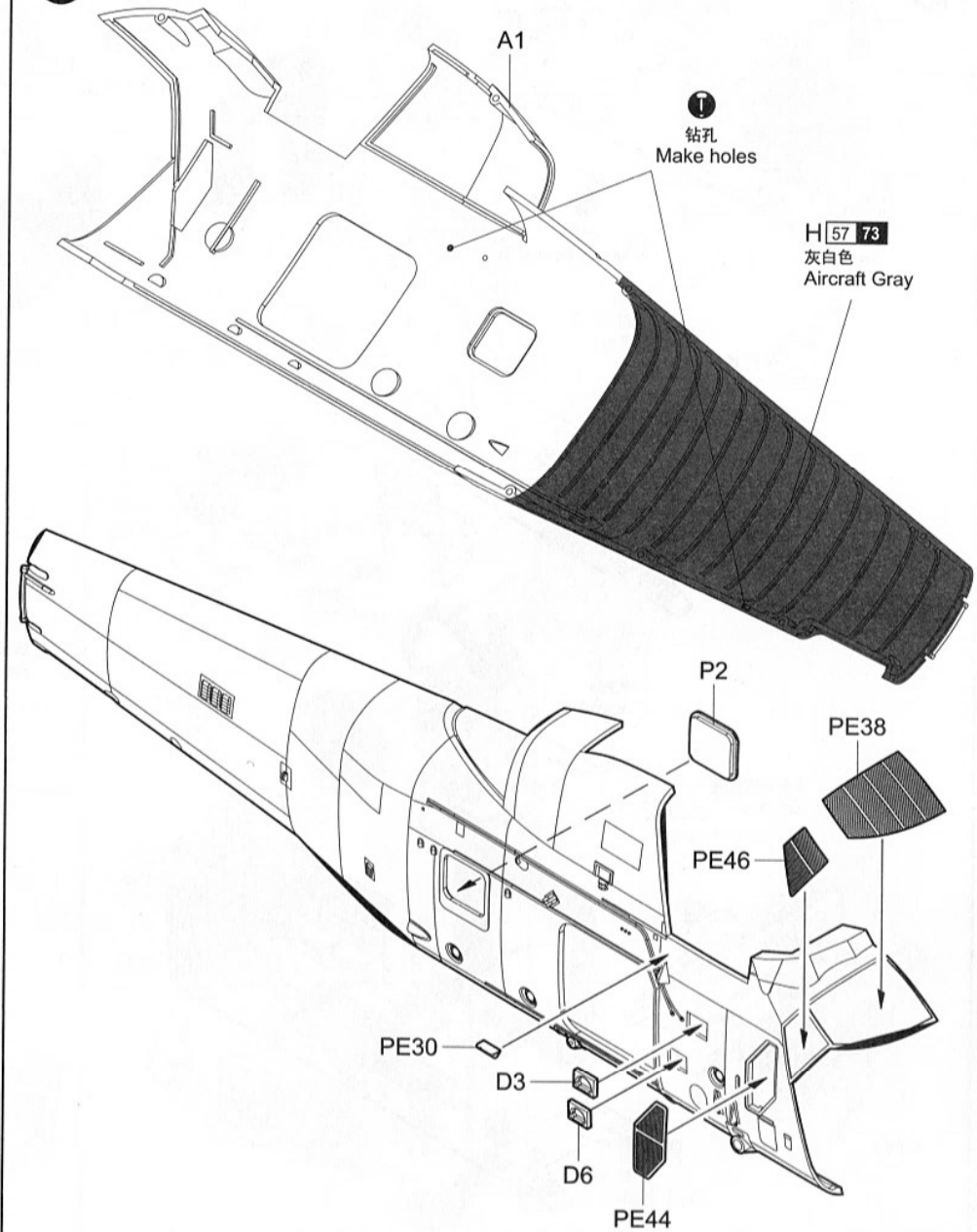
钻孔  
Make holes



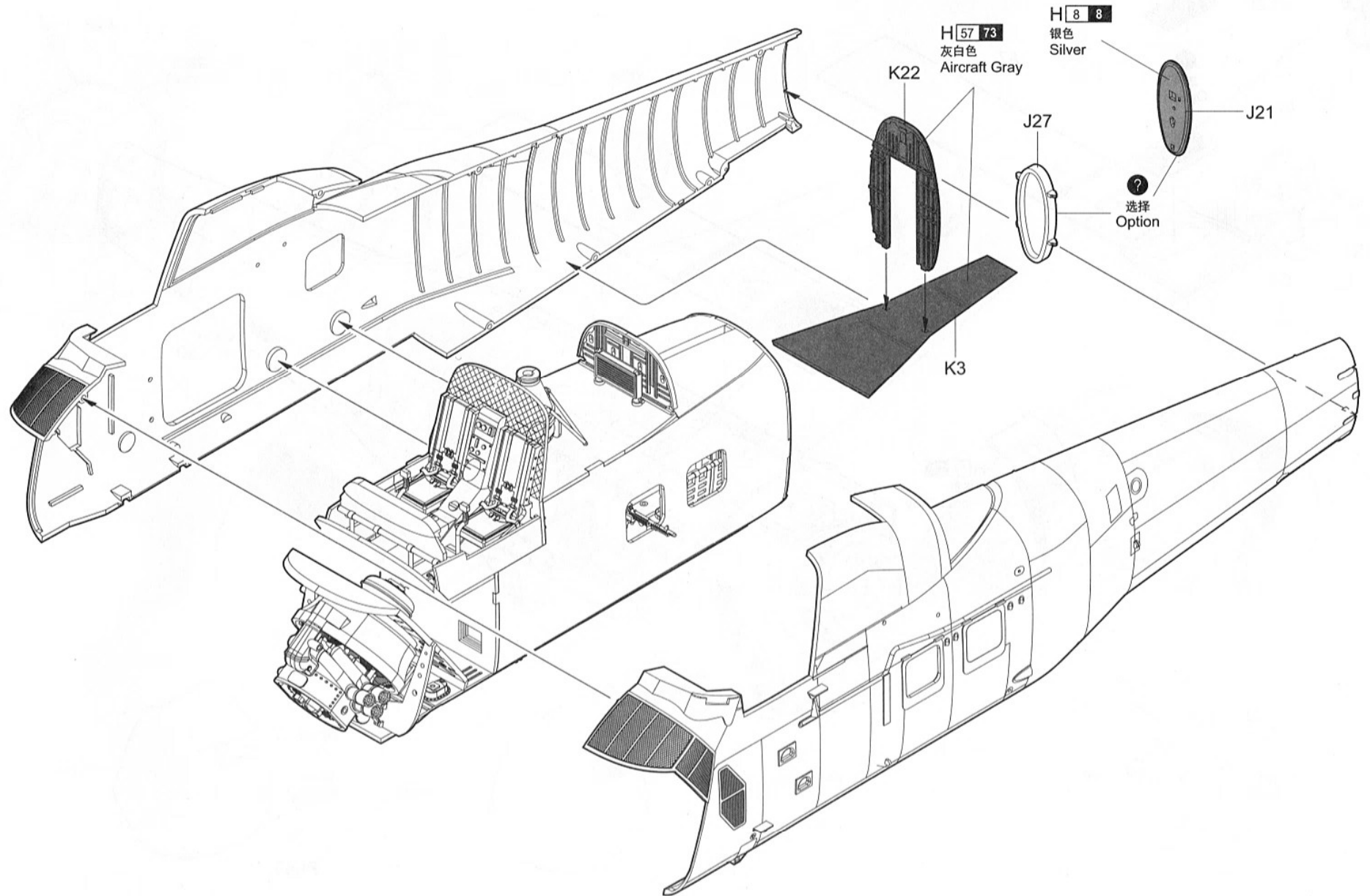
5



6



7



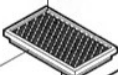
8

PE59



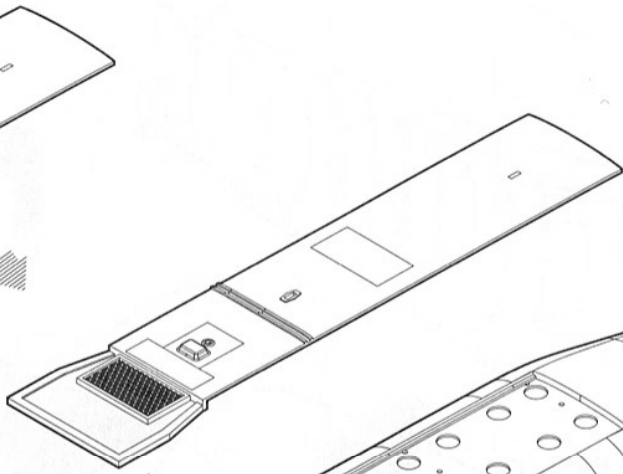
?

选择  
Option

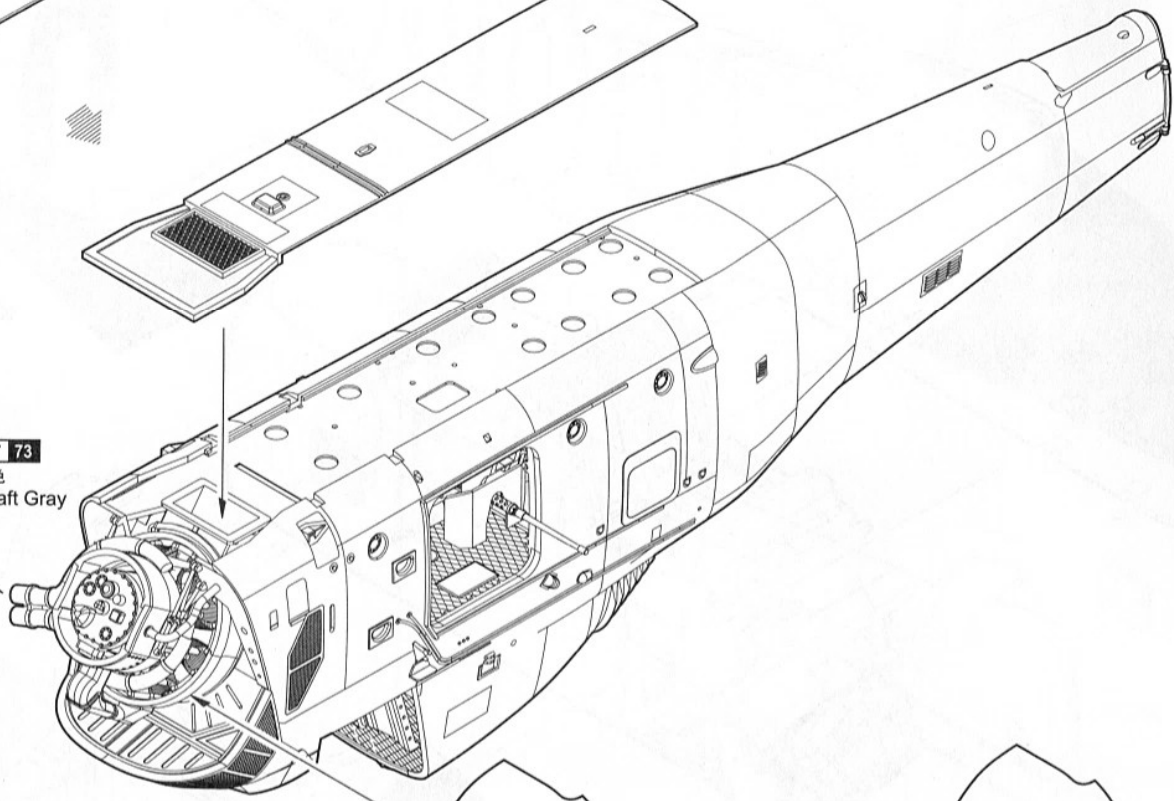


B17

A7



H 57 73  
灰白色  
Aircraft Gray



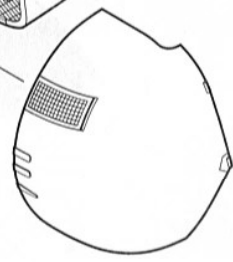
C2



PE48

PE54

Q6

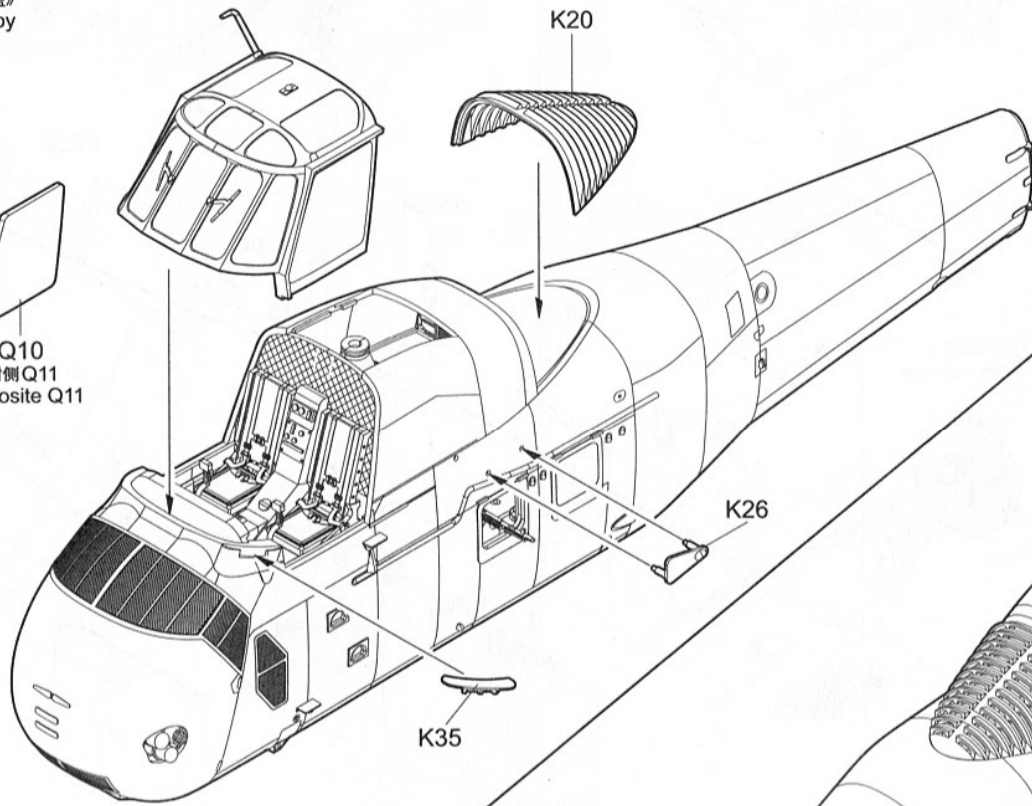
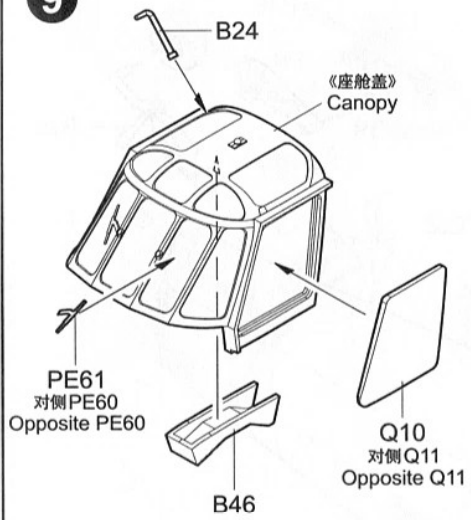


PE47

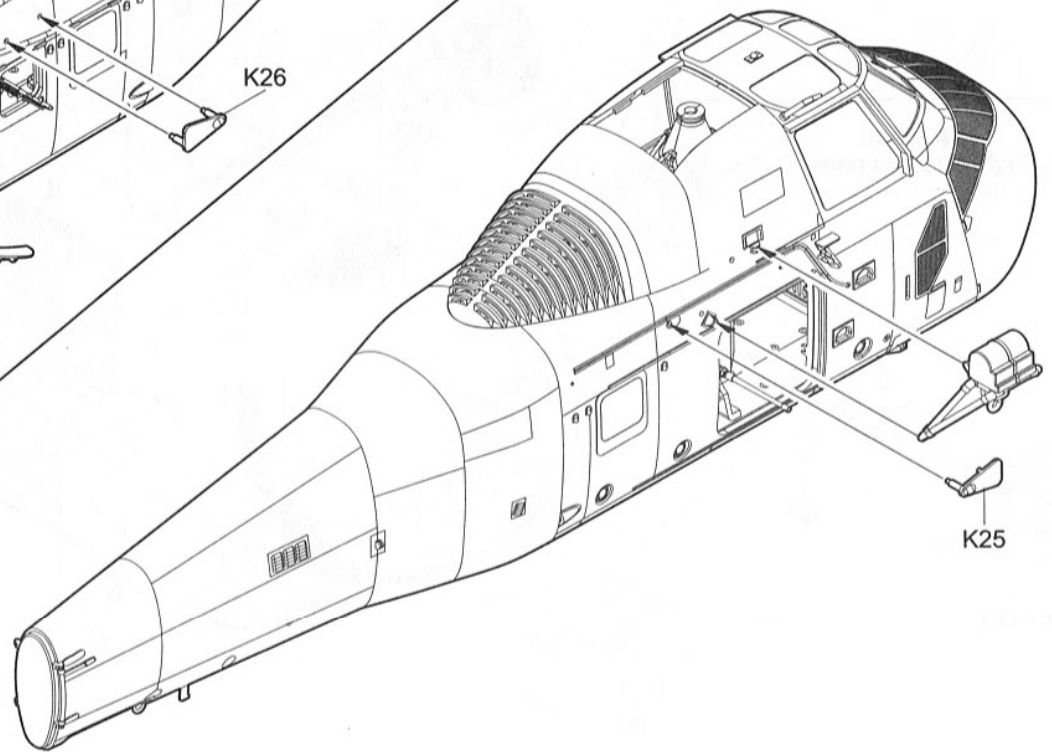
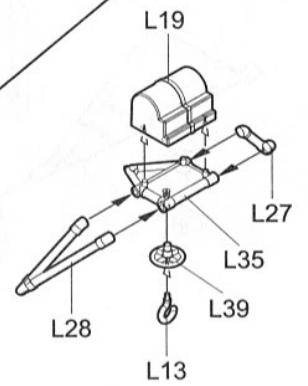
PE55

A2

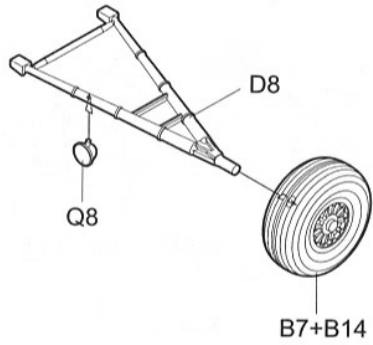
9



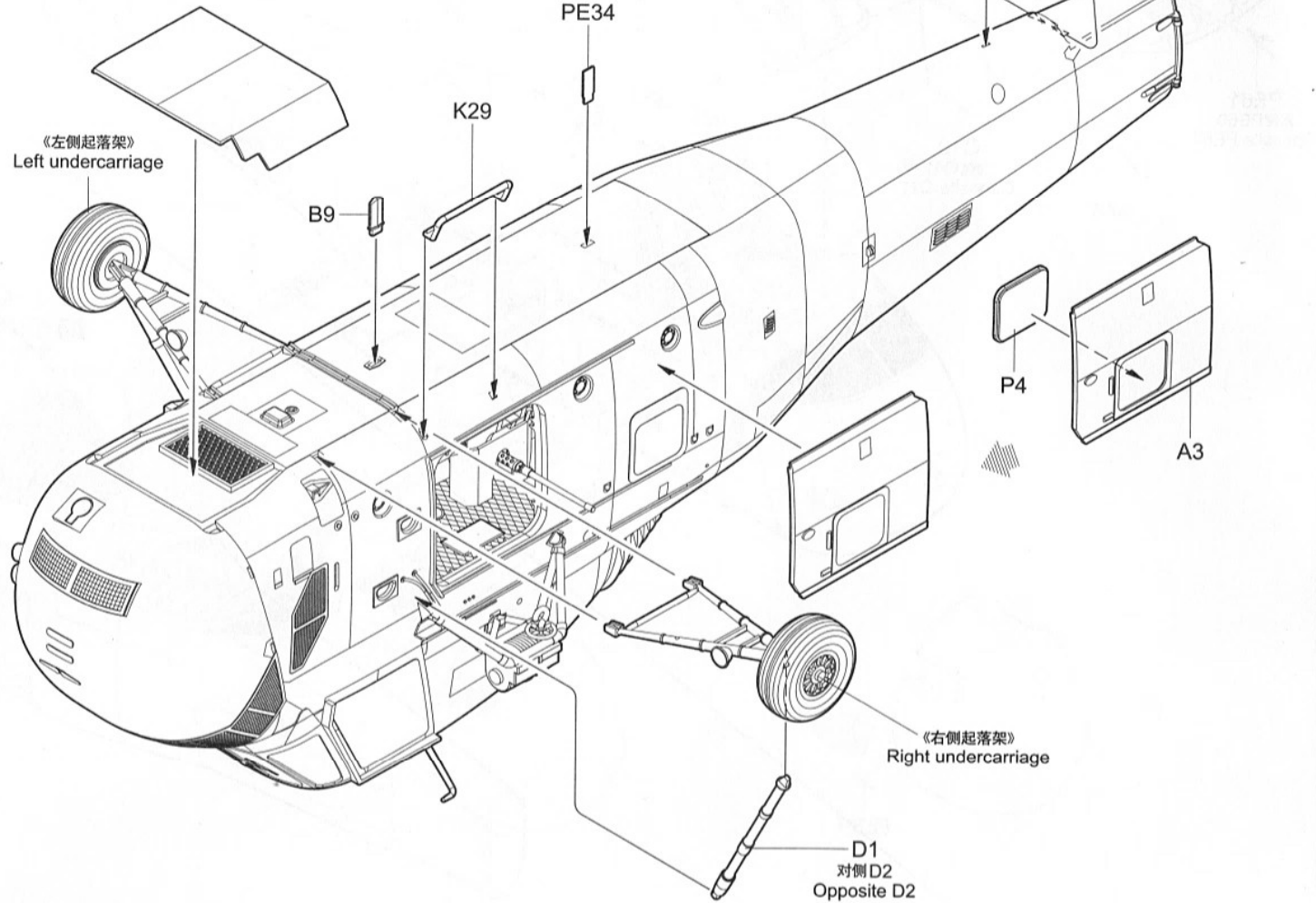
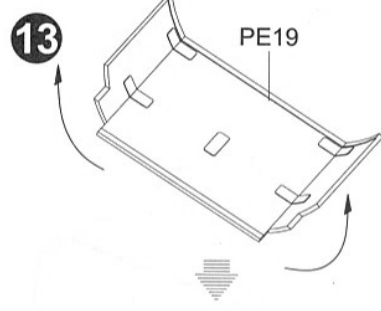
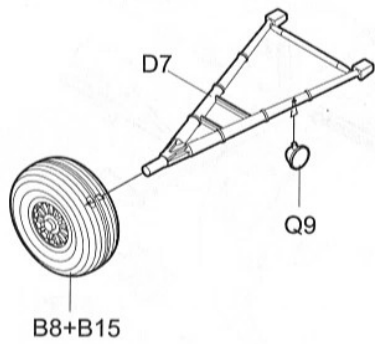
10



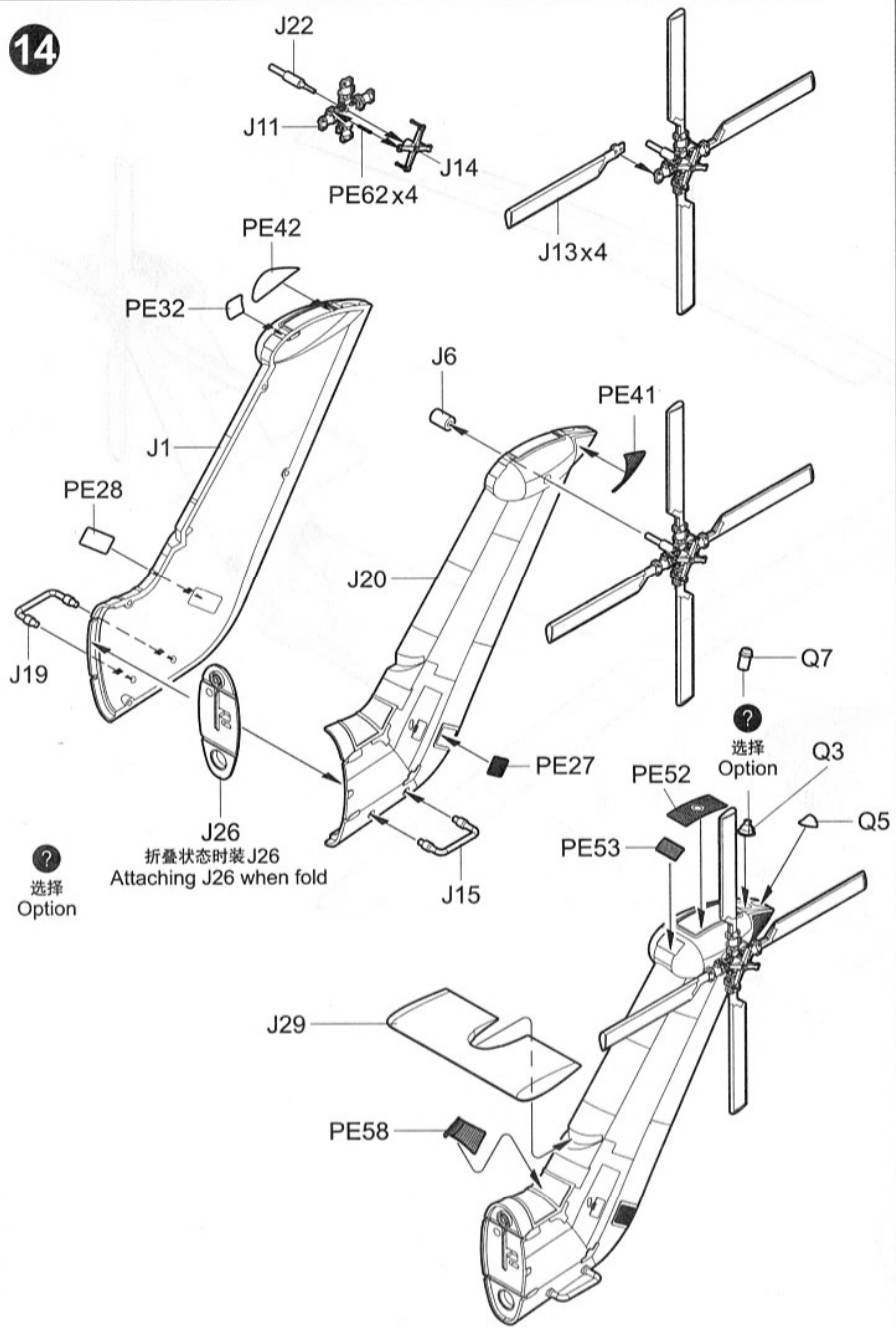
**11** 《左侧起落架》  
Left undercarriage



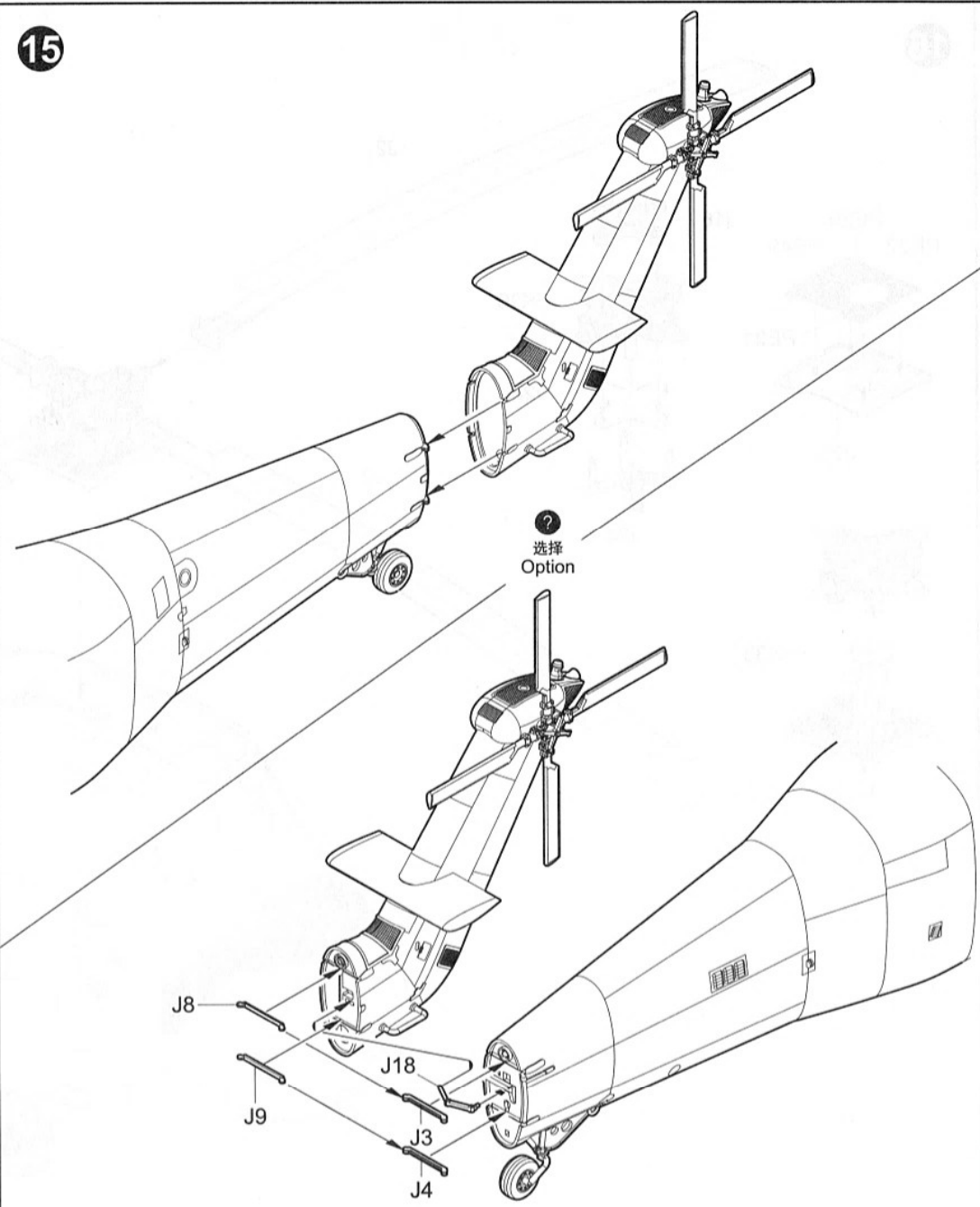
**12** 《右侧起落架》  
Right undercarriage



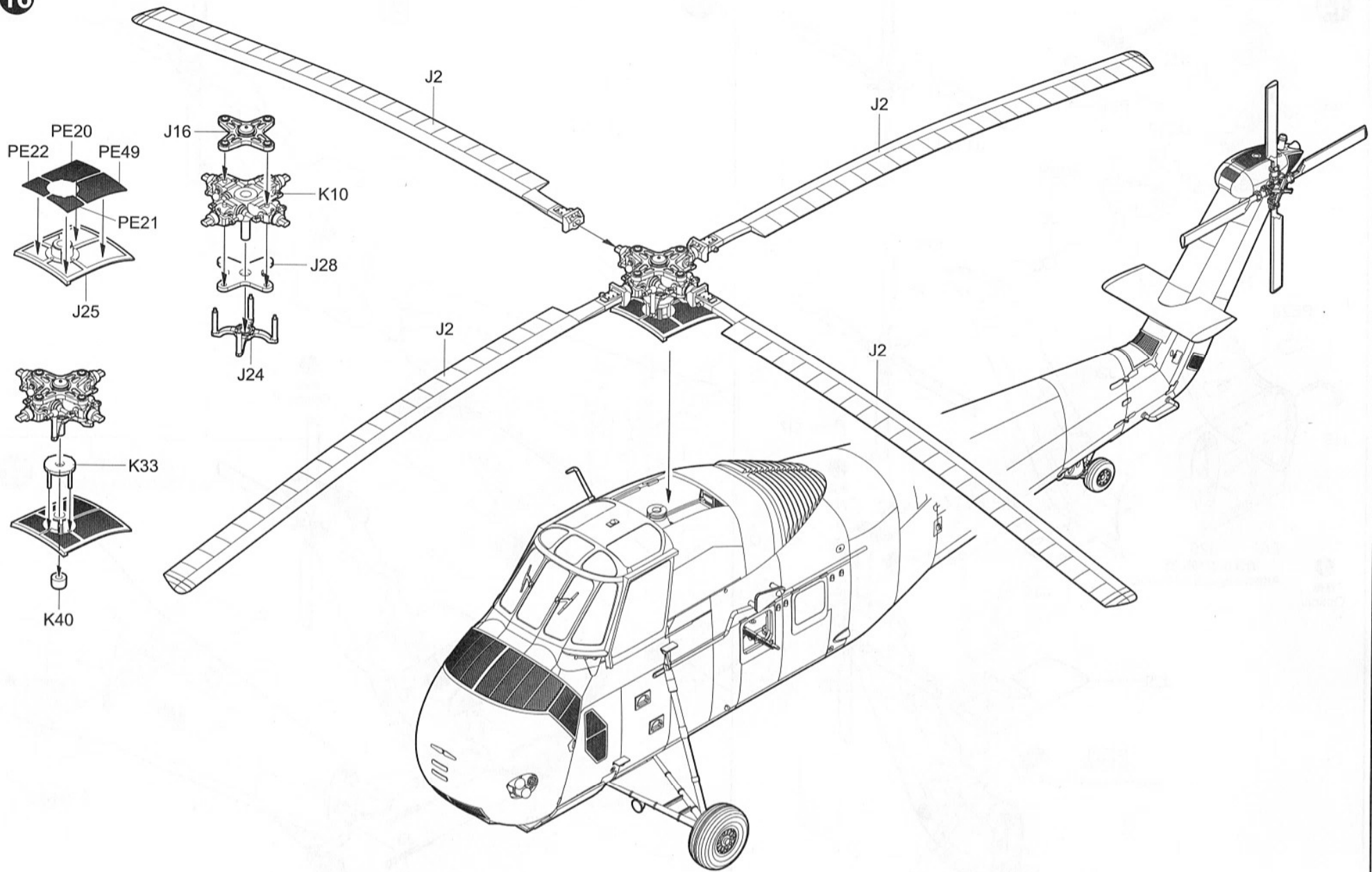
14



15



16

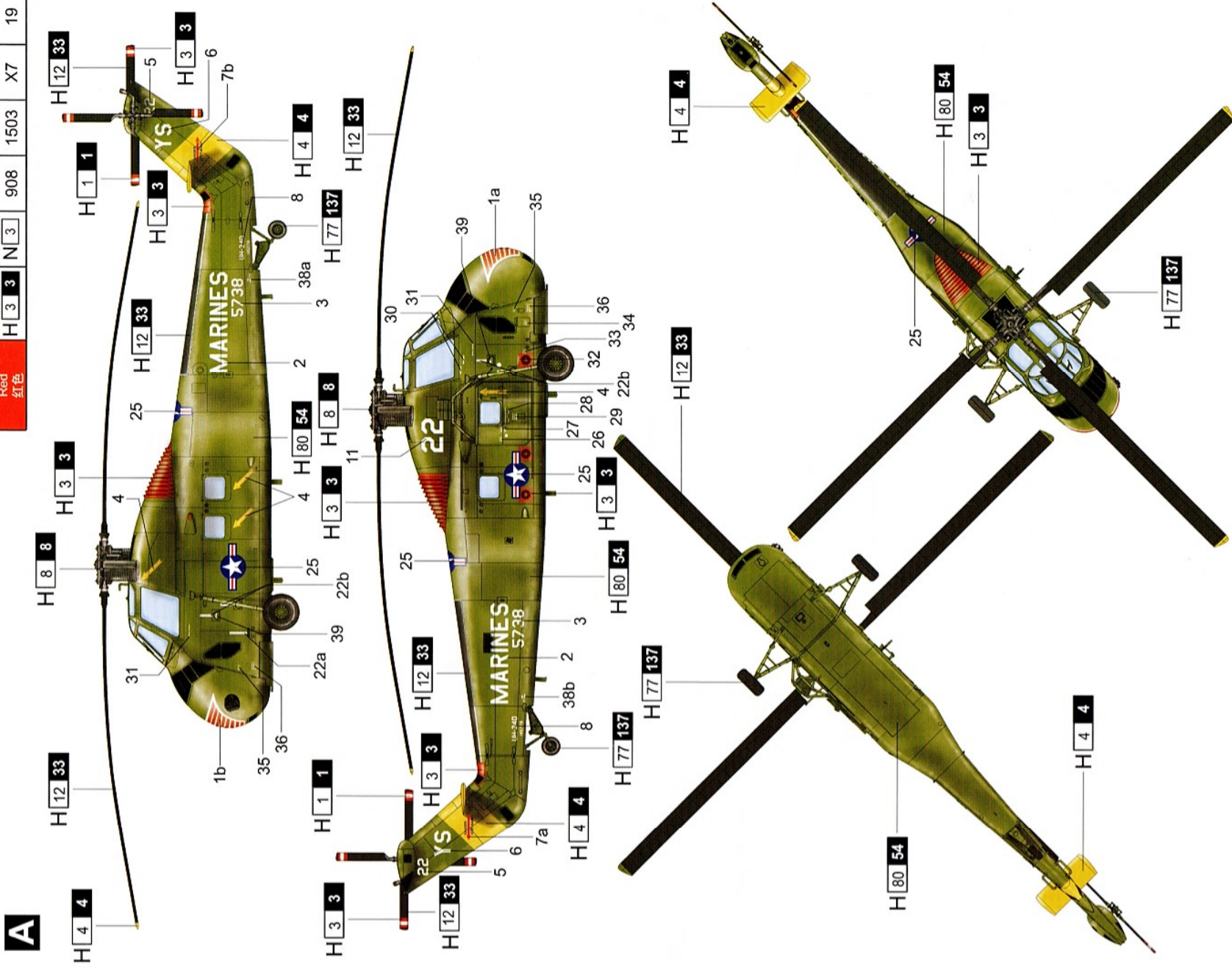


# 涂装同标贴指示

## Painting & Marking guide

### PAINT REFERENCE COLOR

Color	Mr.Hobby	Acrycion	Vallejo	Model Master	Tamiya	Humbrol
Tire Black 胎黑色	H 77 137	N 77	-	-	-	-
Khaki Green 卡其绿色	H 80 54	N 80	924	-	XF-51	159
Yellow 黄色	H 4 4	N 4	953	1514	X8	69
Red 红色	H 3 3	N 3	908	1503	X7	19



H  AQUEOUS HOBBY COLOR     MR. COLOR    N  ACRYCION COLOR

