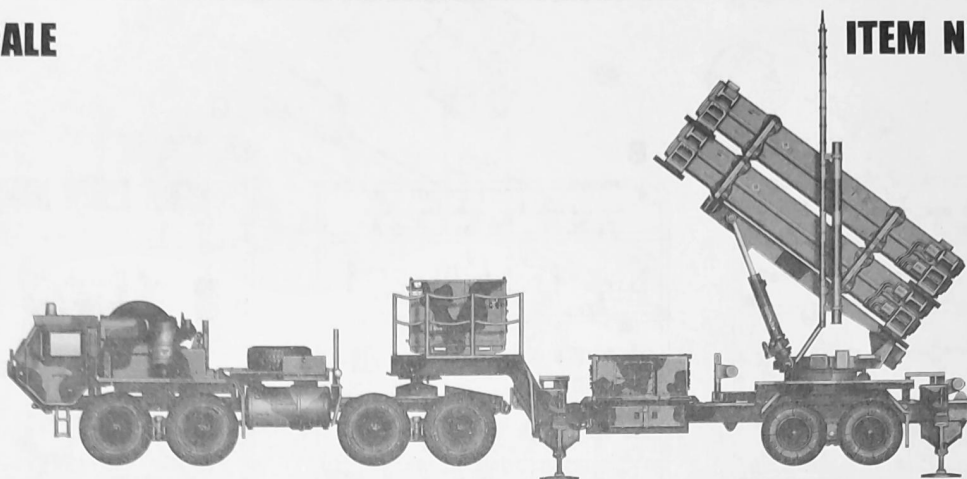


1/72 SCALE

ITEM NO.:07157



M983 HEMTT & M901 Launching Station of MIM-104F Patriot SAM System (PAC-3)

美国M983拖车&MIM-104F爱国者导弹系统(PAC-3)

READ BEFORE ASSEMBLY:

装配之前仔细阅读

- Study and understand these instructions thoroughly before beginning assembly
 - When needed, remove photo-etch parts carefully using a modeling knife or photo etch sprue cutter, being careful not to damage or lose small parts.
 - Take extra care in handling photo etch parts in order to avoid injury
 - Apply instant cement sparingly to photo etch parts where instructed
 - Tools recommended(not included in kit):Plastic and instant cements, sprue cutters,long nose pliers,modeling knife, small files, tweezers, pin vise & scissors. Soft cloth and sandpaper will also assist in construction
 - Glue and paint are not included in the kit. Use plastic cement and hobby paints only. Color guide for purchasing paint is included in the kit.
- 小心用模型锉刀锉平所有零件表面的注射浇口。
 - 小心用刀片切下蚀刻片零件，不要遗失小零件。
 - 用强力快干胶水粘合蚀刻片零件和金属轴。过量快干胶水使用可能导致可动零件会粘住，小心涂胶。
 - 取蚀刻片时应特别注意安全，防止利边划伤手指。
 - 某些零件表面需贴水上贴纸，请选择在装配的同时进行。
 - 推荐模型工具(自备)：胶水，水口剪刀，长咀钳，刀片，锉刀，镊子，钳，钻，剪刀，瞬间快干胶。
 - 软布同砂纸同时也是所需工具。
 - 请使用塑料胶水和油漆，模型内不含。



使用强力胶
Cyanoacrylate glue



配重
Weight



钻孔
Make hole



切除
Cut / Remove



贴纸
Decal



锉平
File / Sand



选择
Option



不涂胶水
No cement



弯曲
Bend



先装
Install it first



填补
Repair

水贴纸的使用:

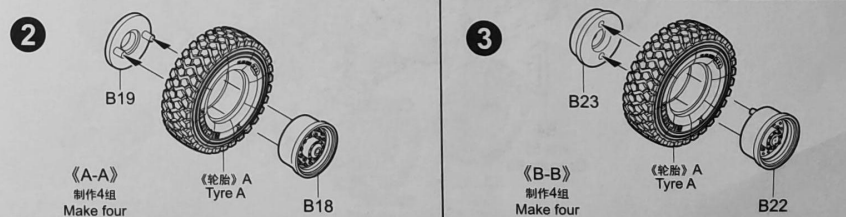
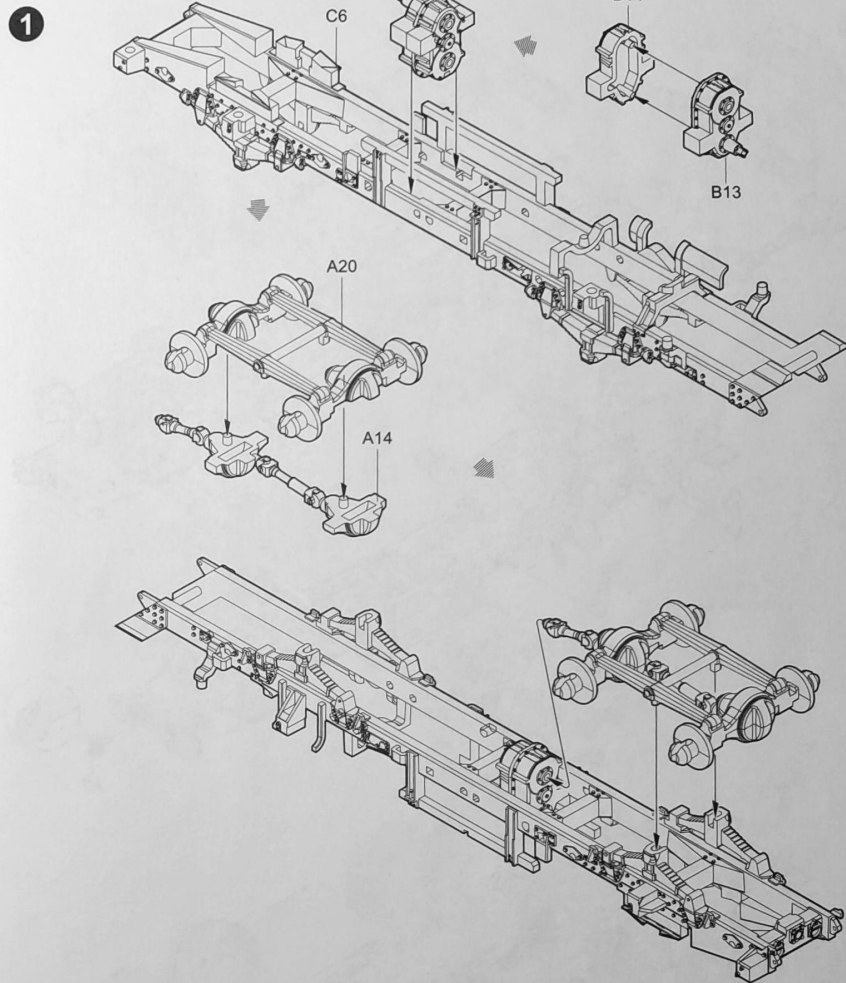
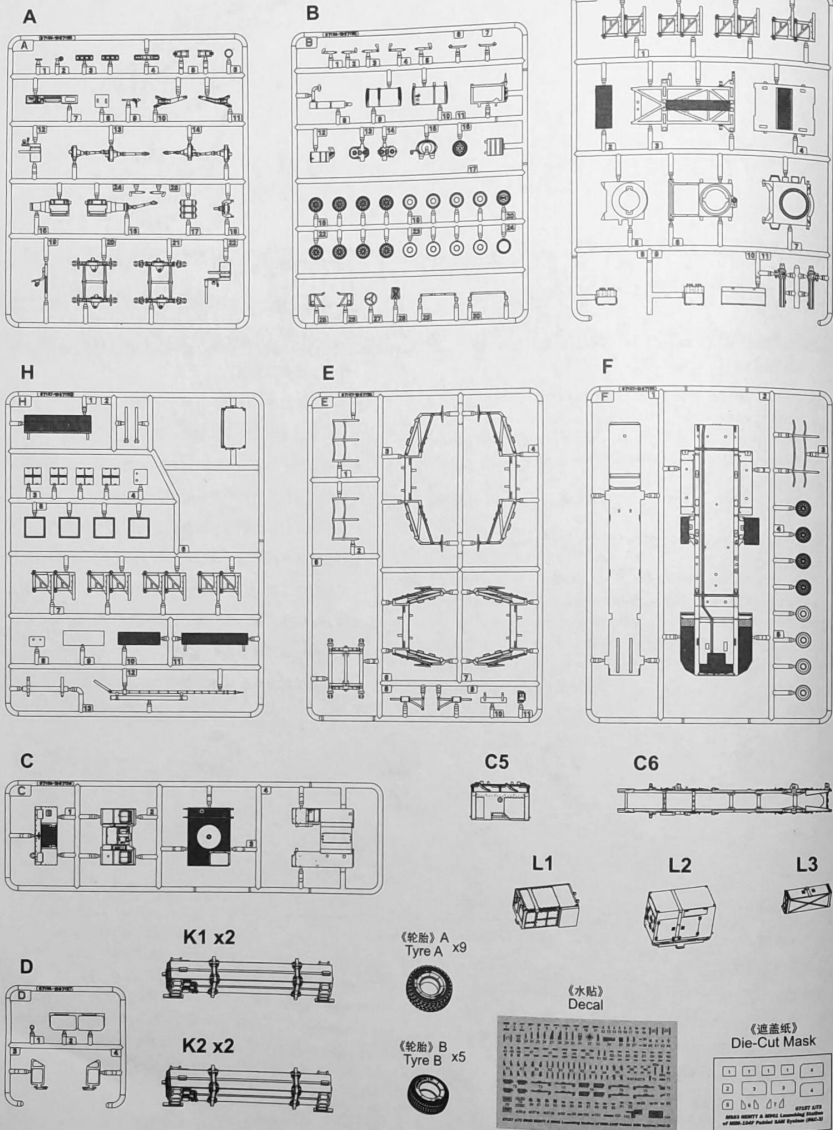
- 1.从水贴上剪下印花;
- 2.将印花放入温水中浸10秒, 然后放在干净布上。
- 3.拿着印花纸板将印花移到模型上;
- 4.手指蘸水将印花移到适当的位置;
- 5.用软布轻压印花直至水干, 气泡消失

DECAL APPLICATION

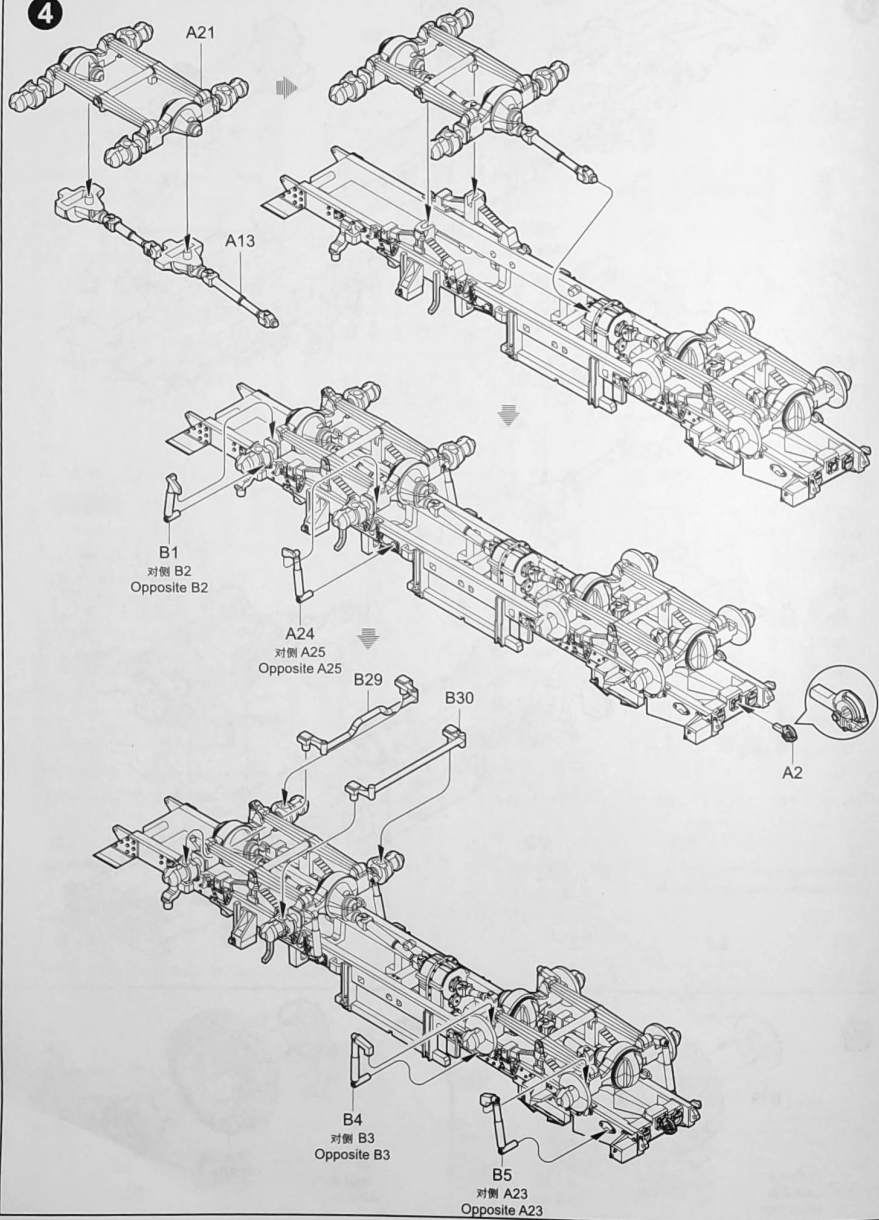
- 1.Cut decals from sheet as needed
- 2.Dip the decal in warm water for about 10 seconds and then place on soft clean cloth.
- 3.Hold the decal backing sheet edge and gently slide the decal onto the model in its proper position.
- 4.While still wet,decal can be adjusted for better fit on model by dampening it gently with your finger.
- 5.When placed in the proper position,gently press decal down with a soft cloth until excess water and air bubbles are gone.
- 6.Allow decal to dry completely before handling model

* 说明书中含有重要信息, 应保留。 Please Keep instruction since it contains important information.

部品图
Parts



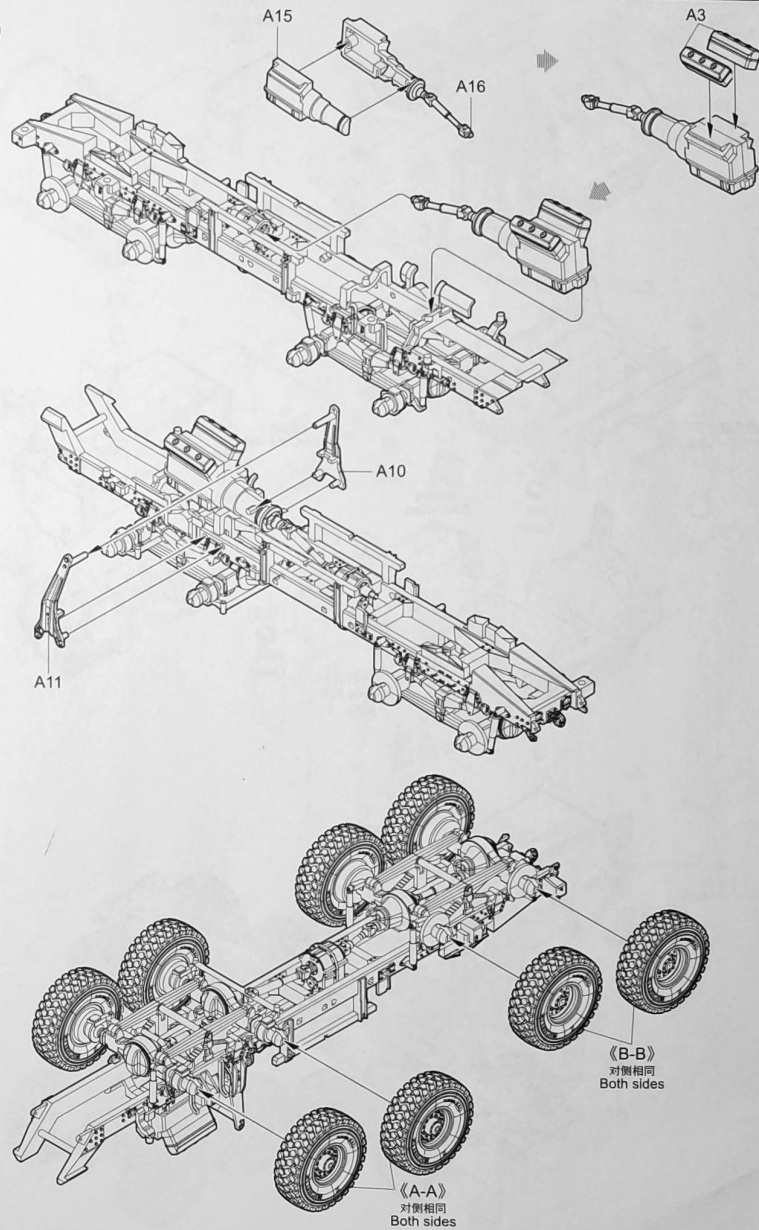
4



07157

4

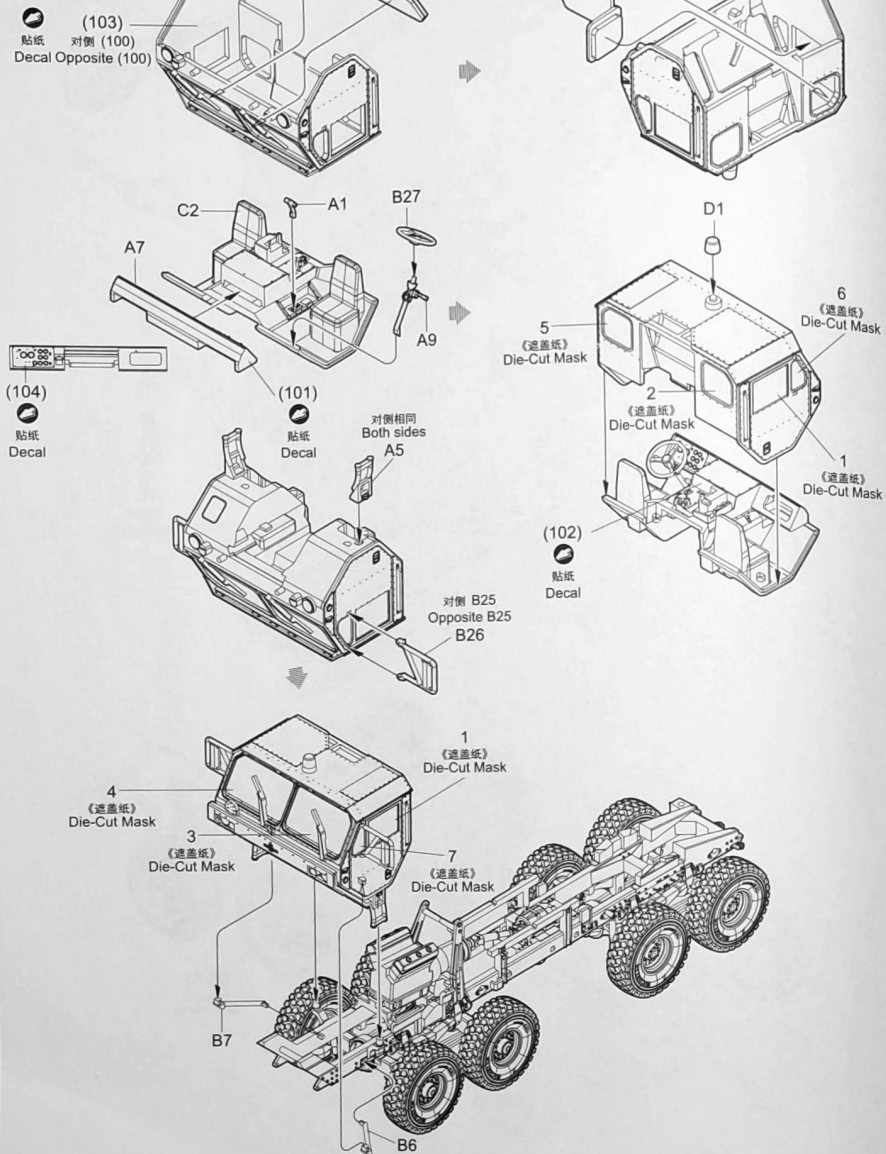
5



07157

5

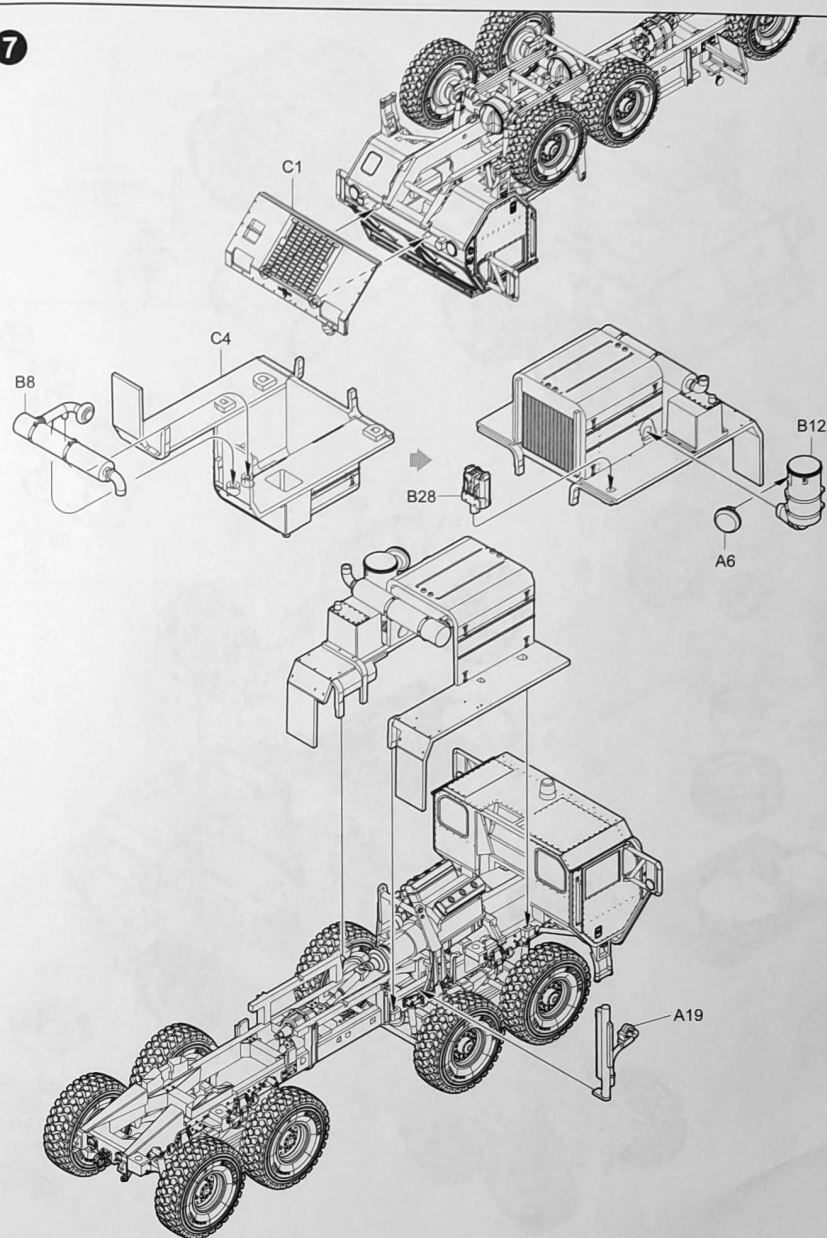
6



07157

6

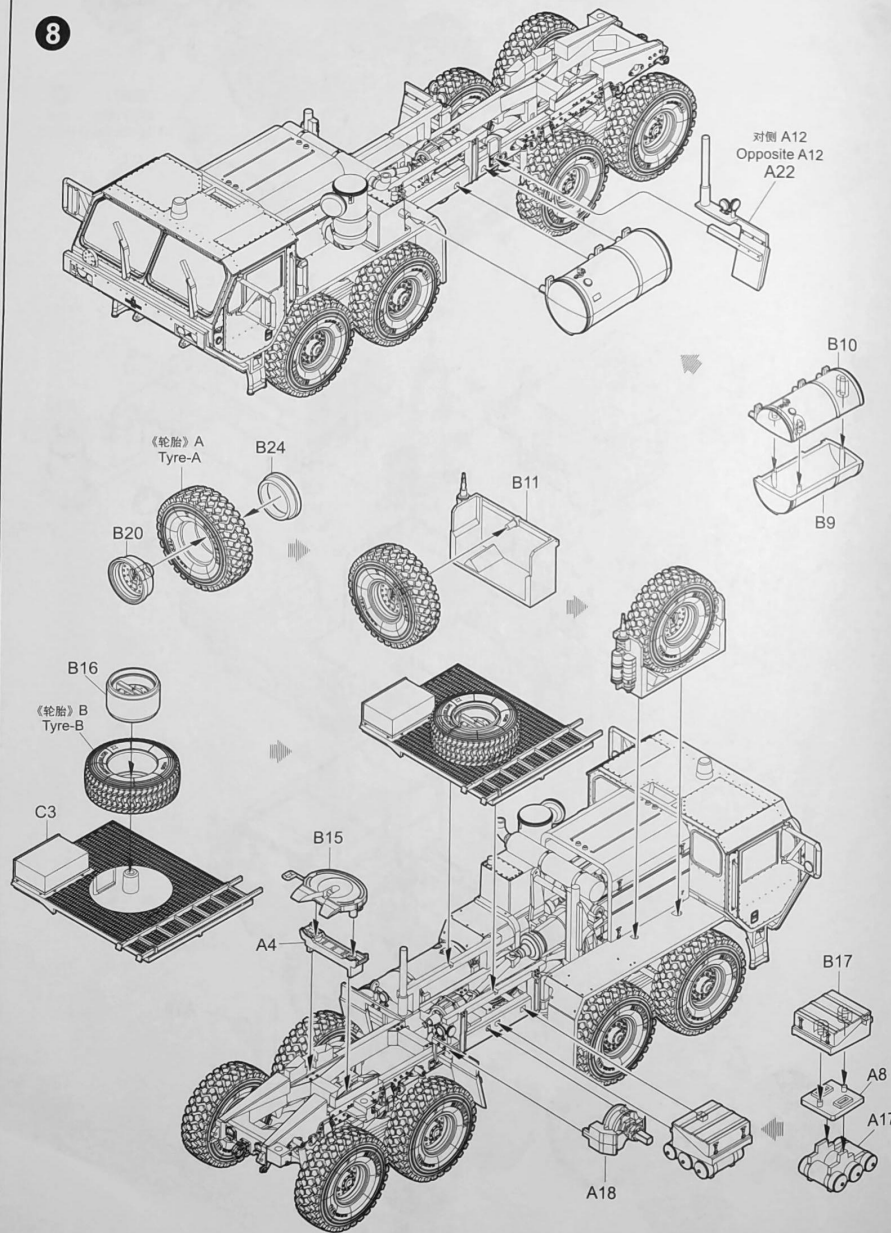
7



07157

7

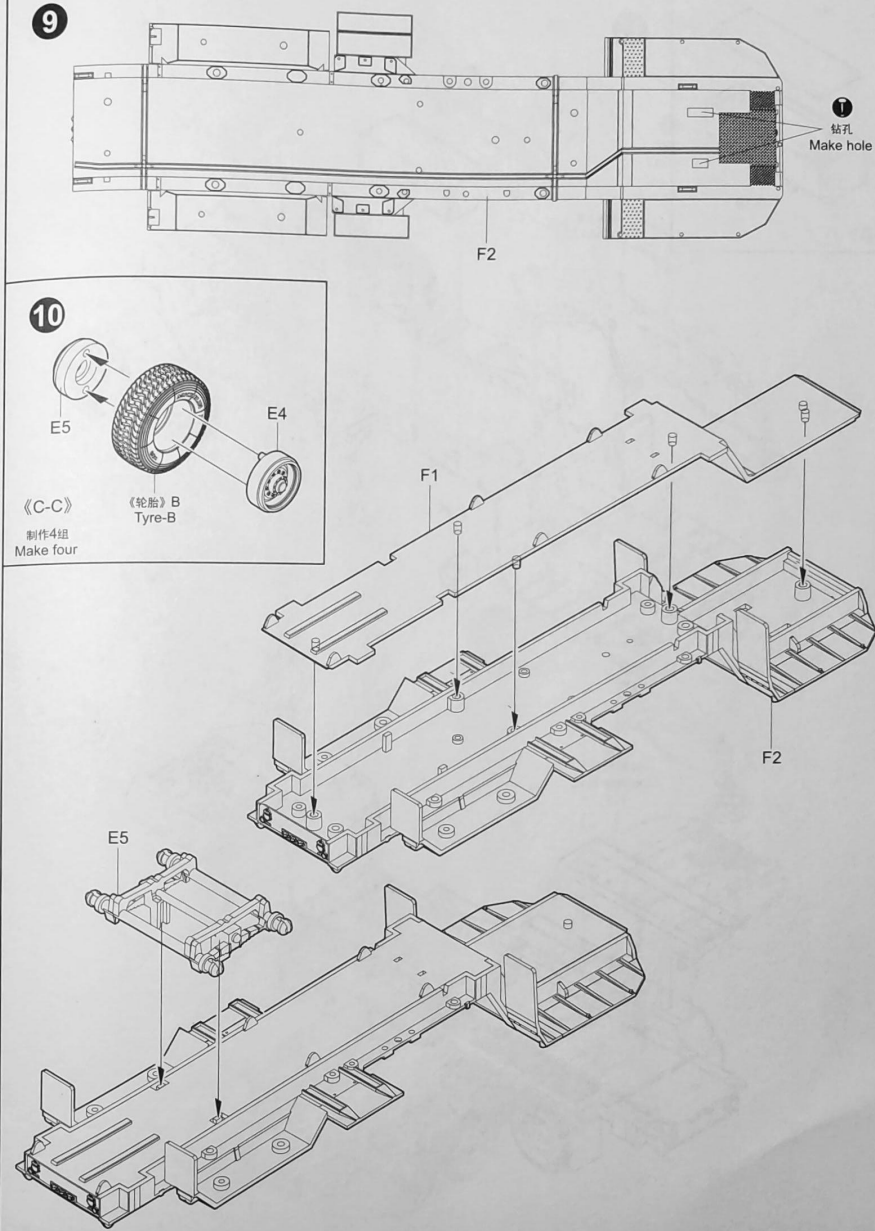
8



07157

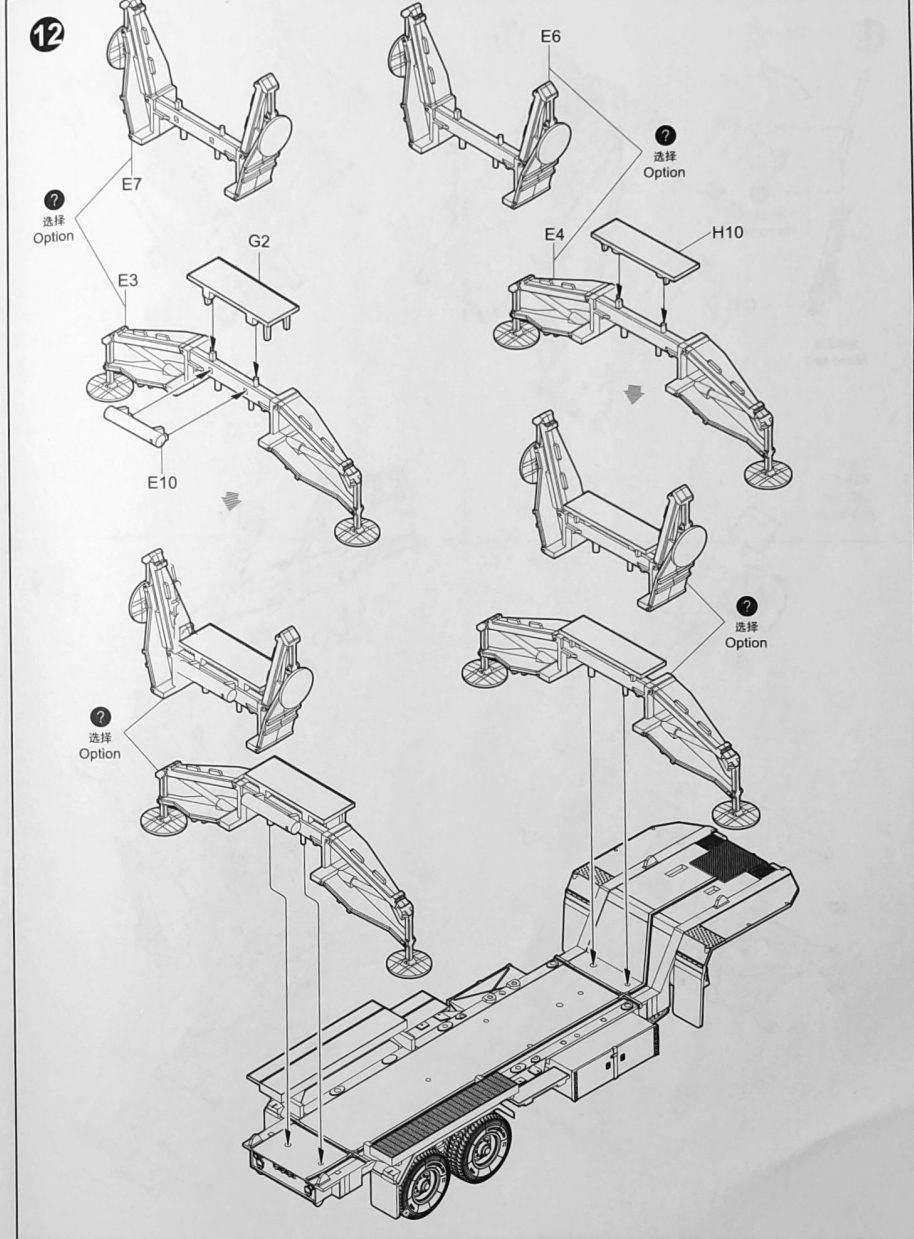
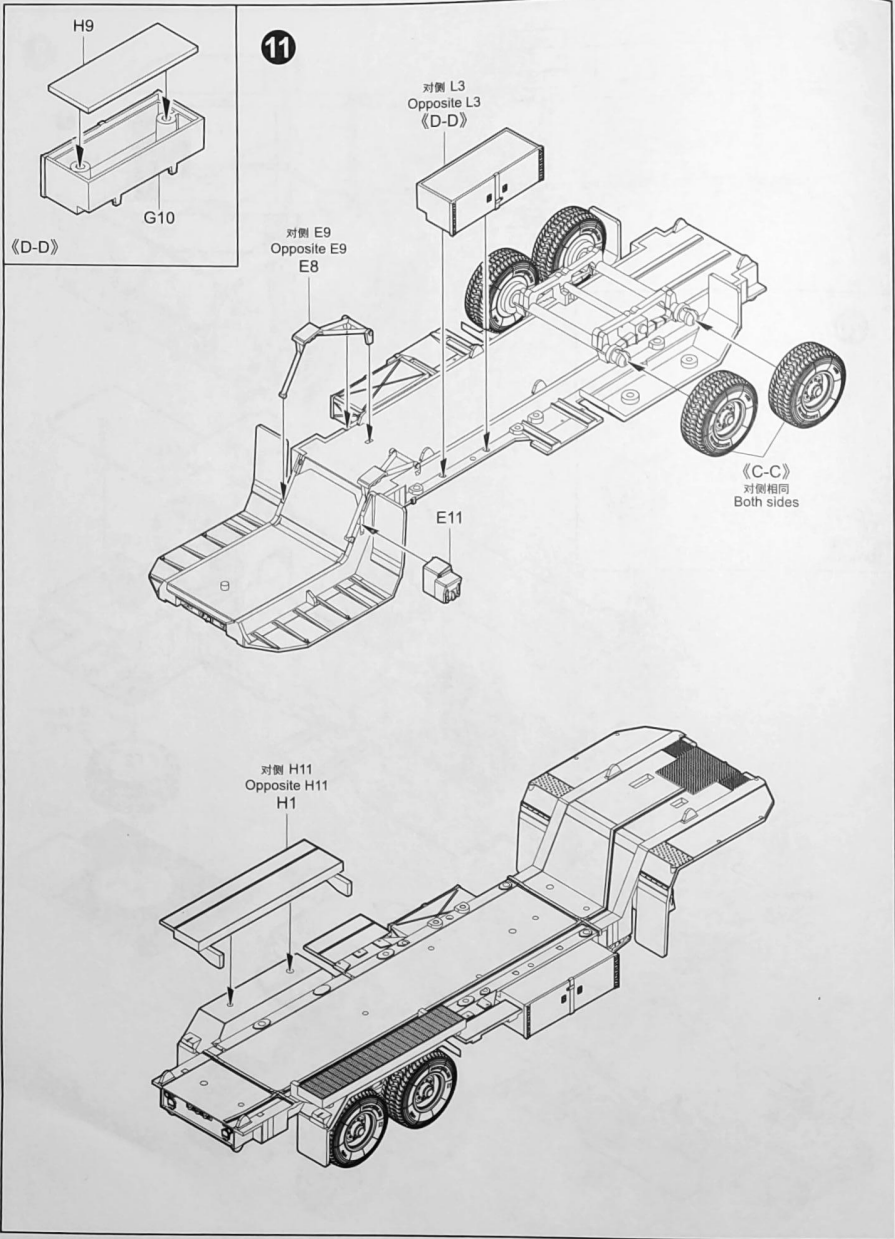
8

9

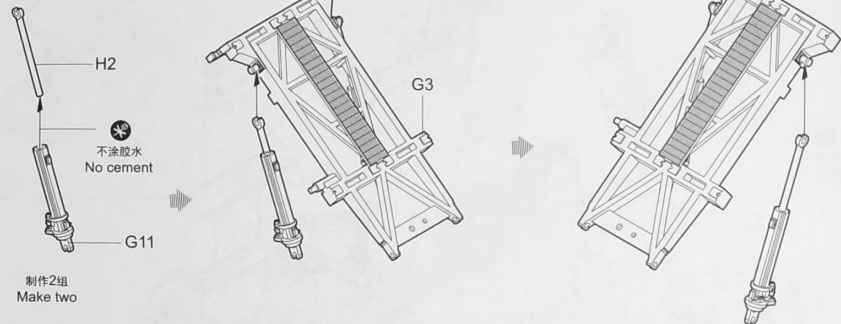


07157

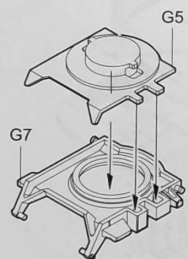
9



13



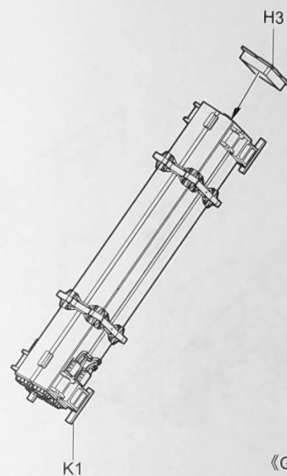
制作2组
Make two



12

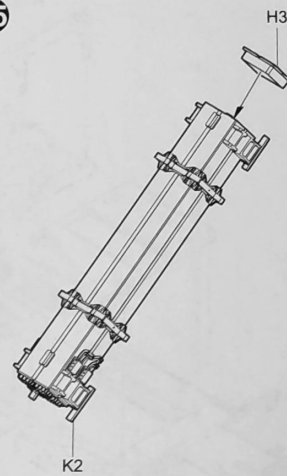
07157

14



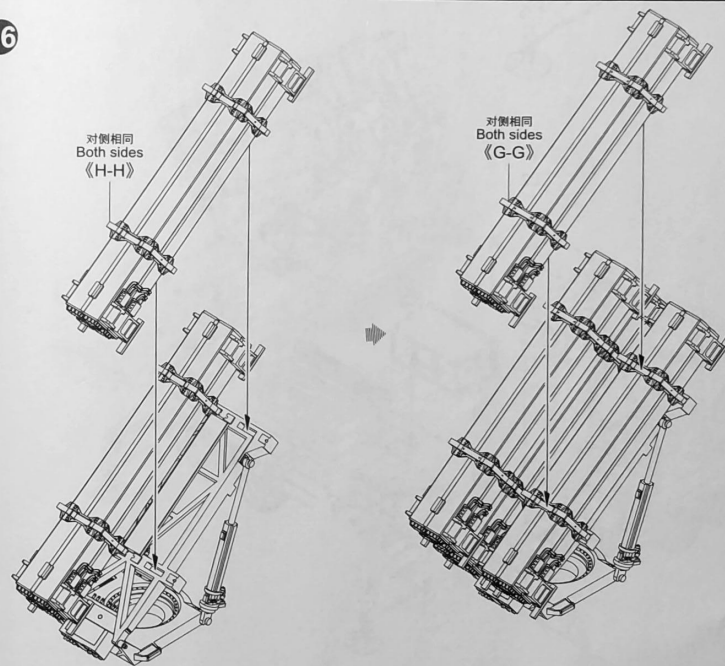
《G-G》
制作2组
Make two

15



《H-H》
制作2组
Make two

16

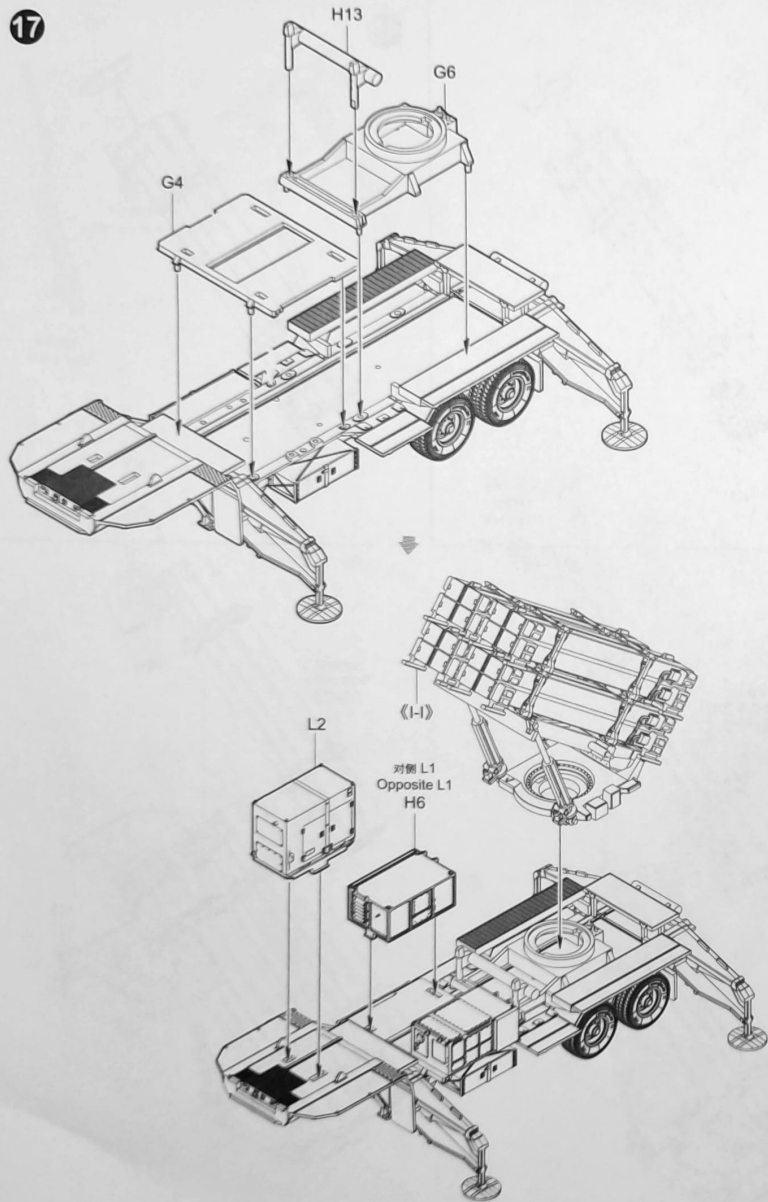


《L-I》

13

07157

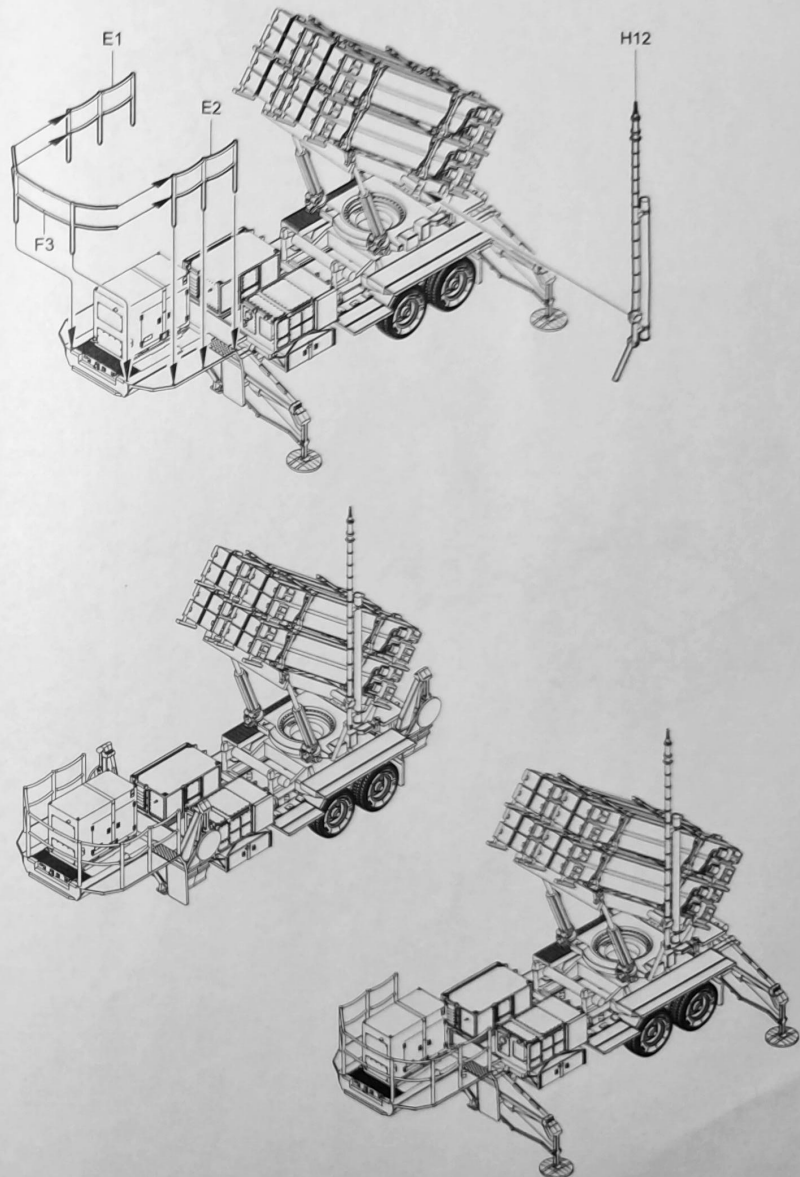
17



07157

14

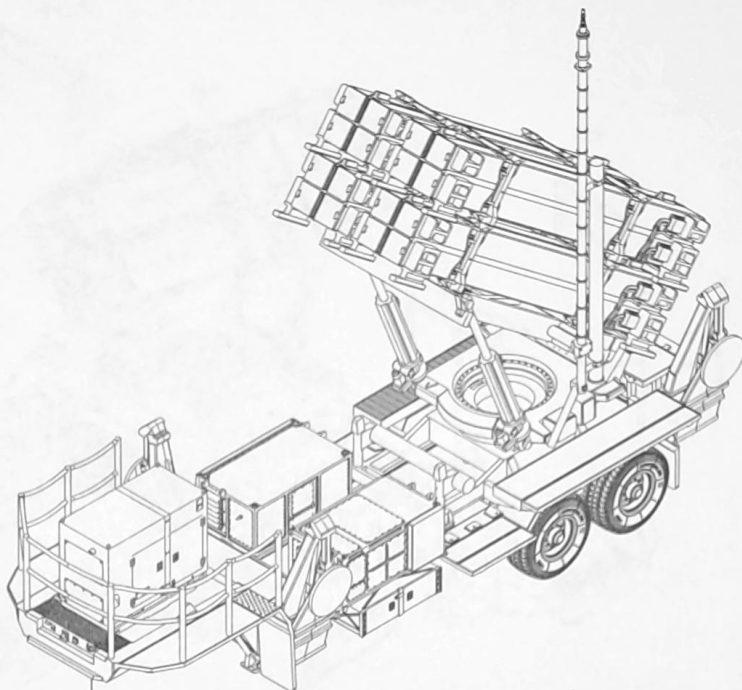
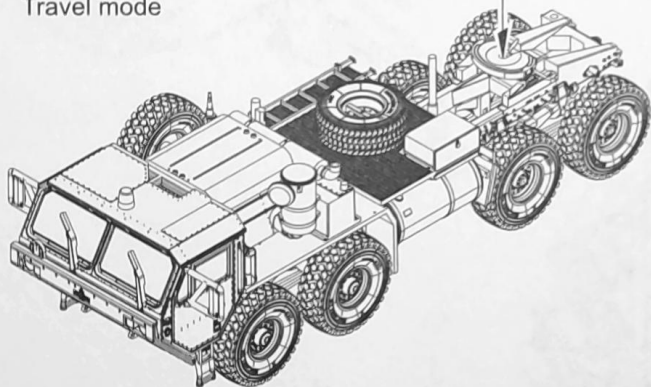
18



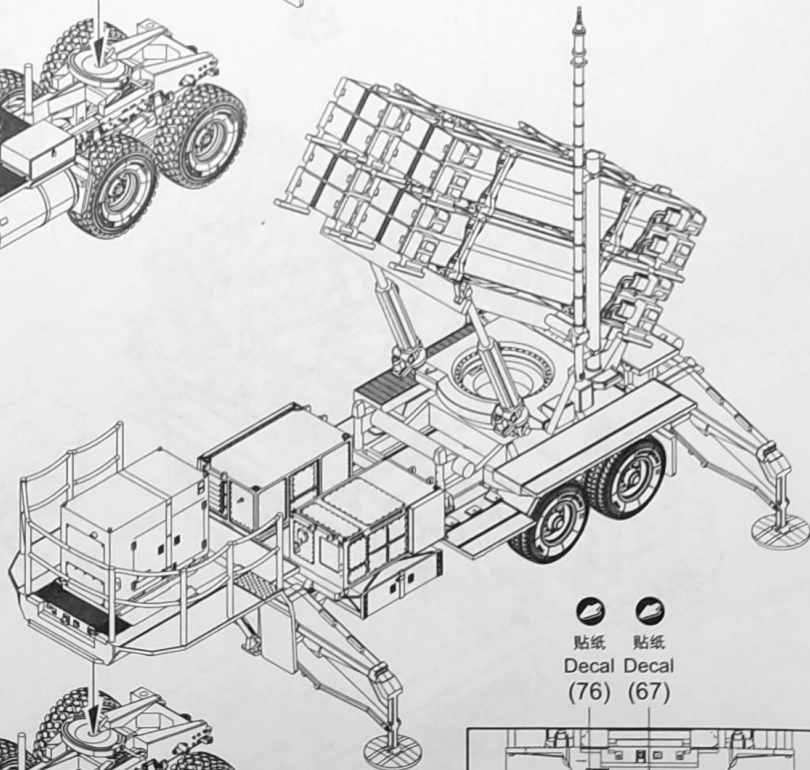
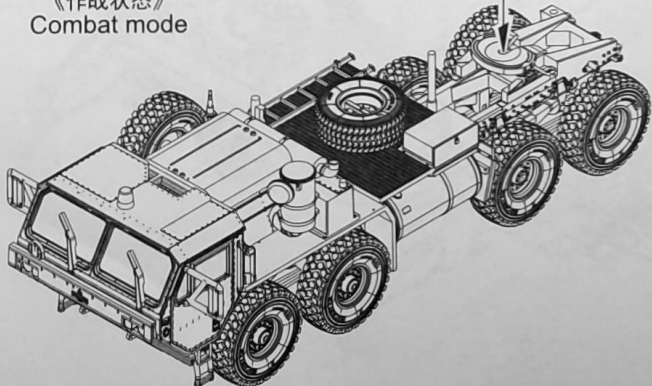
07157

15

《运输状态》
Travel mode



《作战状态》
Combat mode





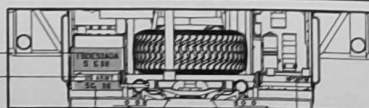
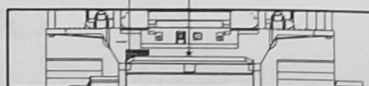
 贴纸 贴纸
 Decal Decal
 (76) (67)

(78)
 Painting B

 贴纸
 Decal

(71)

 贴纸
 Decal



(79) Painting B

 贴纸
 Decal

(70)

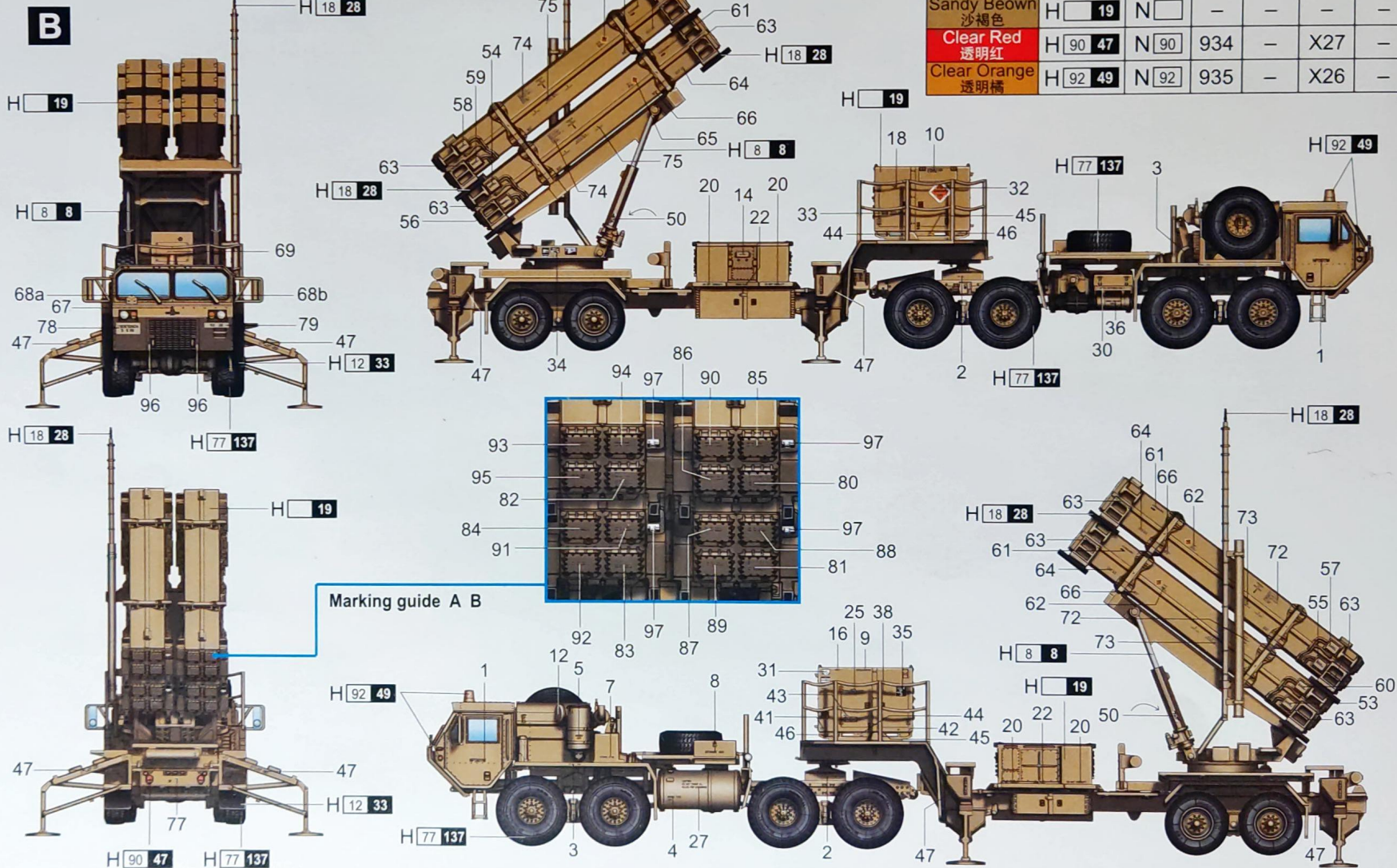
 贴纸
 Decal

涂装同标贴指示

Painting & Marking guide

PAINT REFERENCE COLOR

Color	Mr.Hobby	Acrycion	Vallejo	Model Master	Tamiya	Humbrol
Flat Black 消光黑	H 12 33	N 12	950	1749	XF1	33
Sandy Brown 沙褐色	H 19	N	-	-	-	-
Clear Red 透明红	H 90 47	N 90	934	-	X27	-
Clear Orange 透明橘	H 92 49	N 92	935	-	X26	-



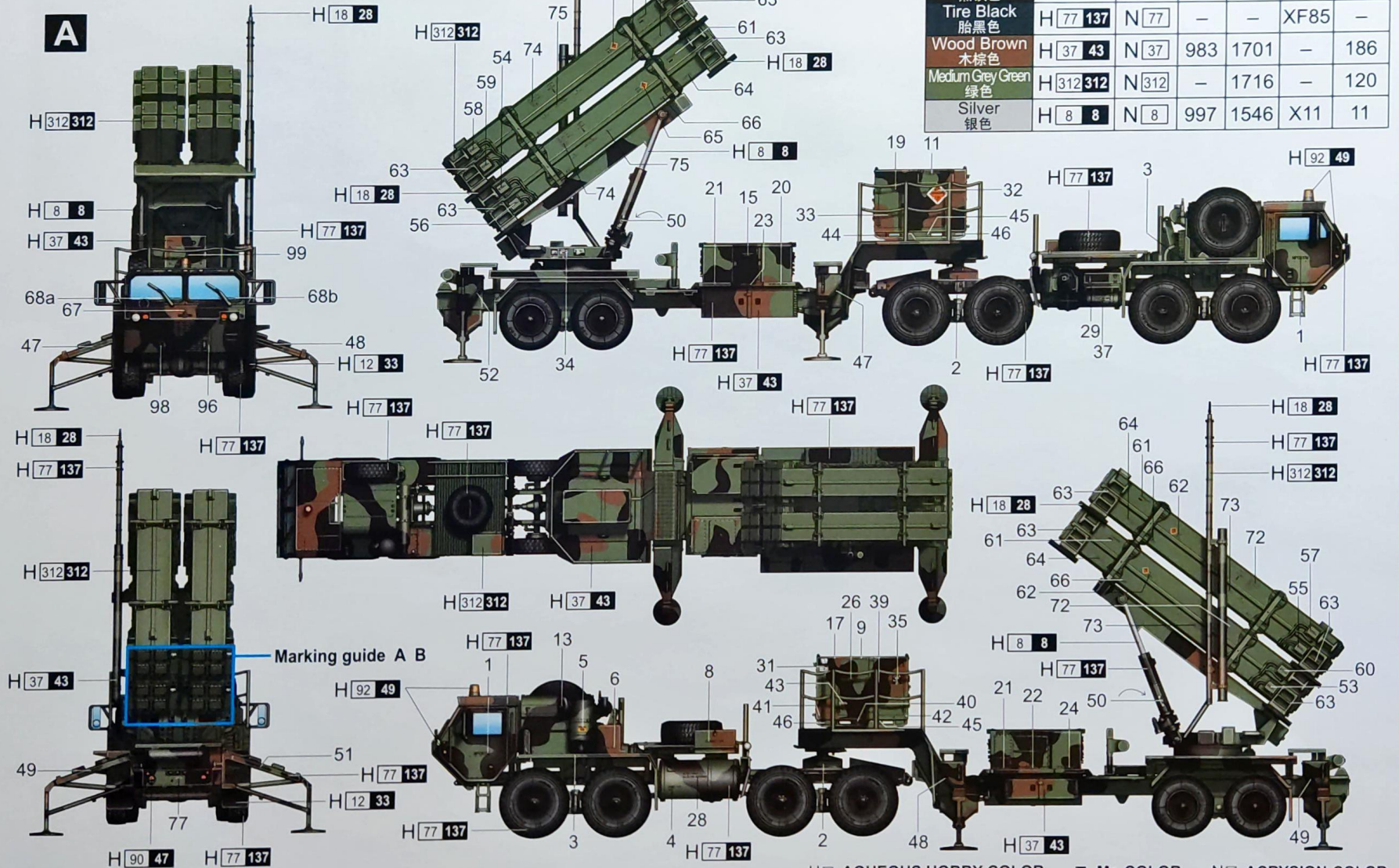
H AQUEOUS HOBBY COLOR Mr. COLOR N ACRYSION COLOR

涂装同标贴指示

Painting & Marking guide

PAINT REFERENCE COLOR

Color	Mr.Hobby	Acrycion	Vallejo	Model Master	Tamiya	Humbrol
Steel 黑铁色	H 18 28	N 18	864	1402	XF84	-
Tire Black 胎黑色	H 77 137	N 77	-	-	XF85	-
Wood Brown 木棕色	H 37 43	N 37	983	1701	-	186
Medium Grey Green 绿色	H 312 312	N 312	-	1716	-	120
Silver 银色	H 8 8	N 8	997	1546	X11	11



H AQUEOUS HOBBY COLOR Mr. COLOR N ACRYSION COLOR