

# M983 HEMTT & M901 Launching Station w/MIM-104 Patriot SAM System (PAC-2)

美国M983拖车&MIM-104C爱国者导弹系统(PAC-2)

**READ BEFORE ASSEMBLY:**

- Study and understand these instructions thoroughly before beginning assembly
- When needed, remove photo-etch parts carefully using a modeling knife or photo etch sprue cutter, being careful not to damage or lose small parts.
- Take extra care in handling photo etch parts in order to avoid injury
- Apply instant cement sparingly to photo etch parts where instructed
- Tools recommended(not included in kit):Plastic and instant cements, sprue cutters,long nose pliers,modeling knife, small files, tweezers, pin vise & scissors. Soft cloth and sandpaper will also assist in construction
- Glue and paint are not included in the kit. Use plastic cement and hobby paints only. Color guide for purchasing paint is included in the kit.

**装配之前仔细阅读**

- 小心用模型锉刀锉平所有零件表面的注射浇口。
- 小心用刀片切下蚀刻片零件，不要遗失小零件。
- 用强力快干胶水粘合蚀刻片零件和金属轴。过量快干胶水使用可能导致可动零件会粘住，小心涂胶。
- 取蚀刻片时应特别注意安全，防止利边划伤手指。
- 某些零件表面需贴上水贴纸，请选择在装配的同时进行。
- 推荐模型工具(自备)：胶水，水口剪刀，长咀钳，刀片，锉刀，镊子，钳，钻，剪刀，瞬间快干胶。
- 软布同砂纸同时也是所需工具。
- 请使用塑料胶水和油漆，模型内不含。



使用强力胶  
Cyanoacrylate glue



配重  
Weight



钻孔  
Make hole



切除  
Cut / Remove



贴纸  
Decal



锉平  
File / Sand



选择  
Option



不涂胶水  
No cement



弯曲  
Bend



先装  
Install it first



填补  
Repair

**水贴纸的使用:**

- 1.从水贴纸上剪下印花;
- 2.将印花放入温水中浸10秒，然后放在干净布上。
- 3.拿着印花纸板将印花移到模型上;
- 4.手指蘸水将印花移到适当的位置;
- 5.用软布轻压印花直至水干，气泡消失

**DECAL APPLICATION**

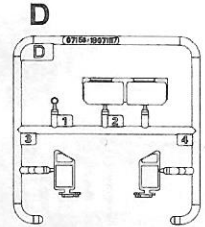
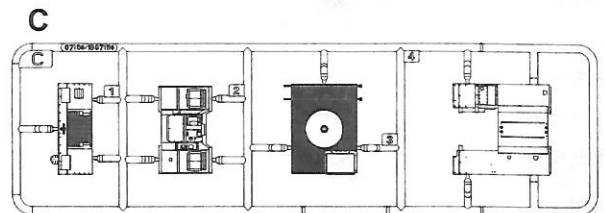
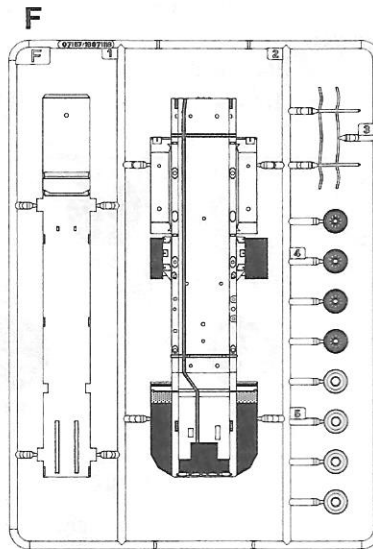
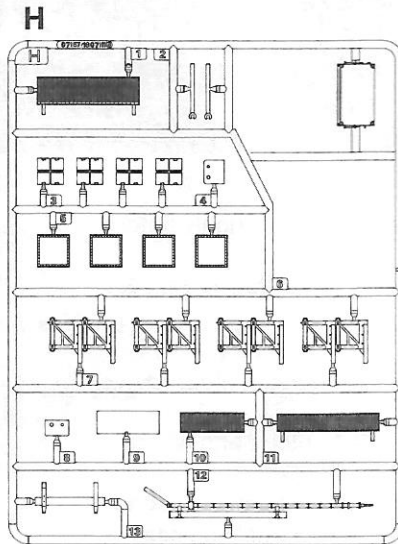
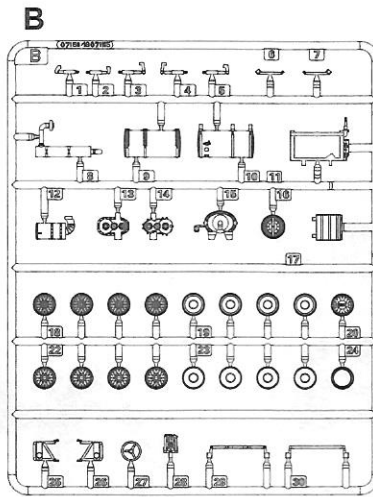
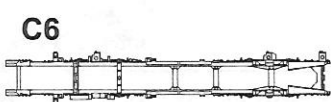
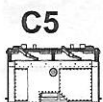
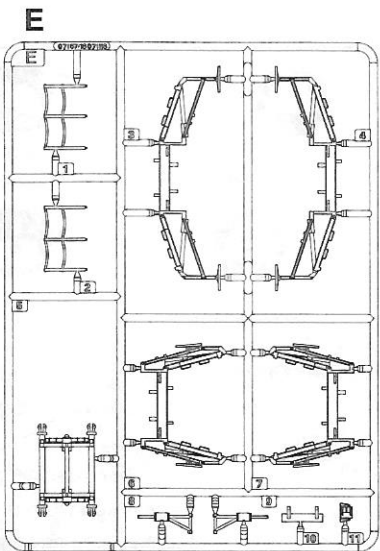
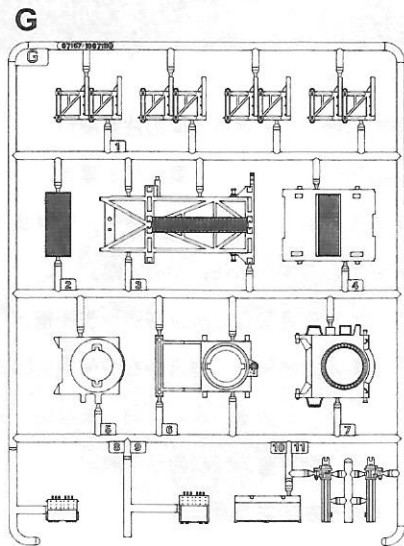
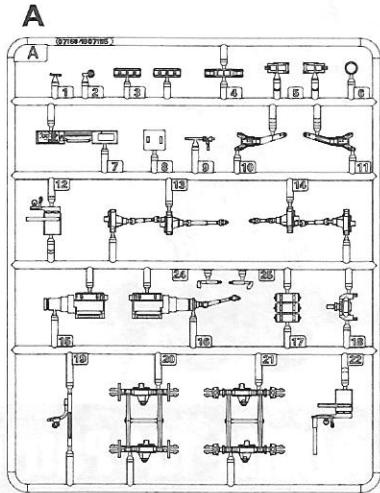
- 1.Cut decals from sheet as needed
- 2.Dip the decal in warm water for about 10 seconds and then place on soft clean cloth.
- 3.Hold the decal backing sheet edge and gently slide the decal onto the model in its proper position.

- 4.While still wet,decal can be adjusted for better fit on model by dampening it gently with your finger.
- 5.When placed in the proper position,gently press decal down with a soft cloth until excess water and air bubbles are gone.
- 6.Allow decal to dry completely before handling model

\* 说明书中含有重要信息，应保留。 Please Keep instruction since it contains important information.

部品图

Parts



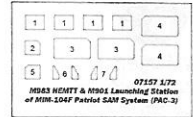
《轮胎》A Tyre A Ø16.5 x9



《轮胎》B Tyre B Ø14 x5



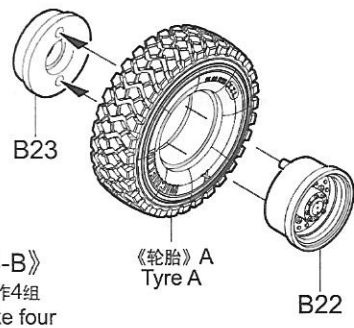
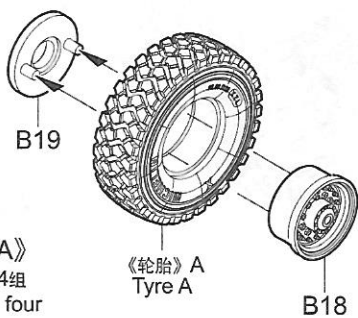
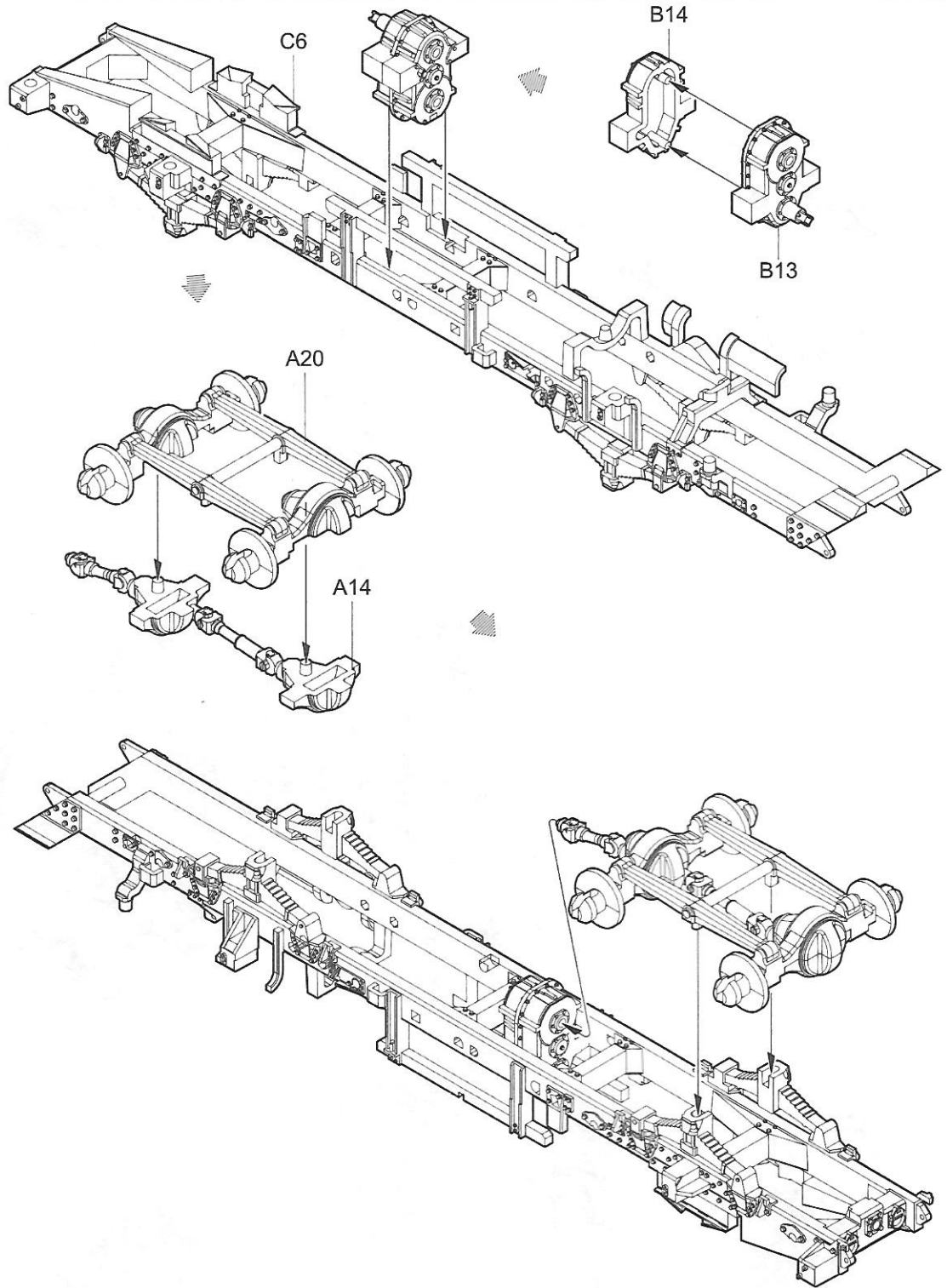
《遮盖纸》 Die-Cut Mask



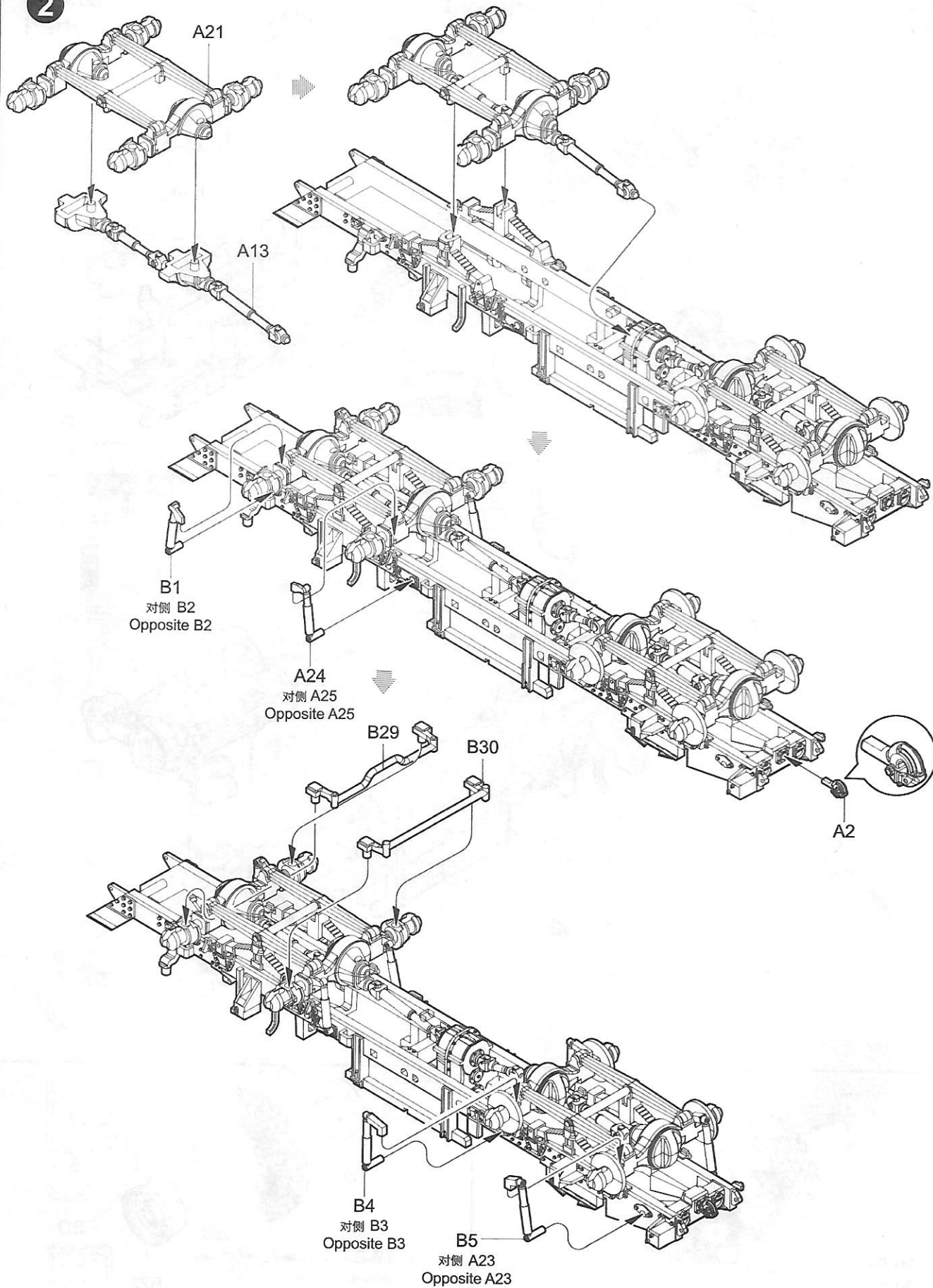
《水贴》 Decal



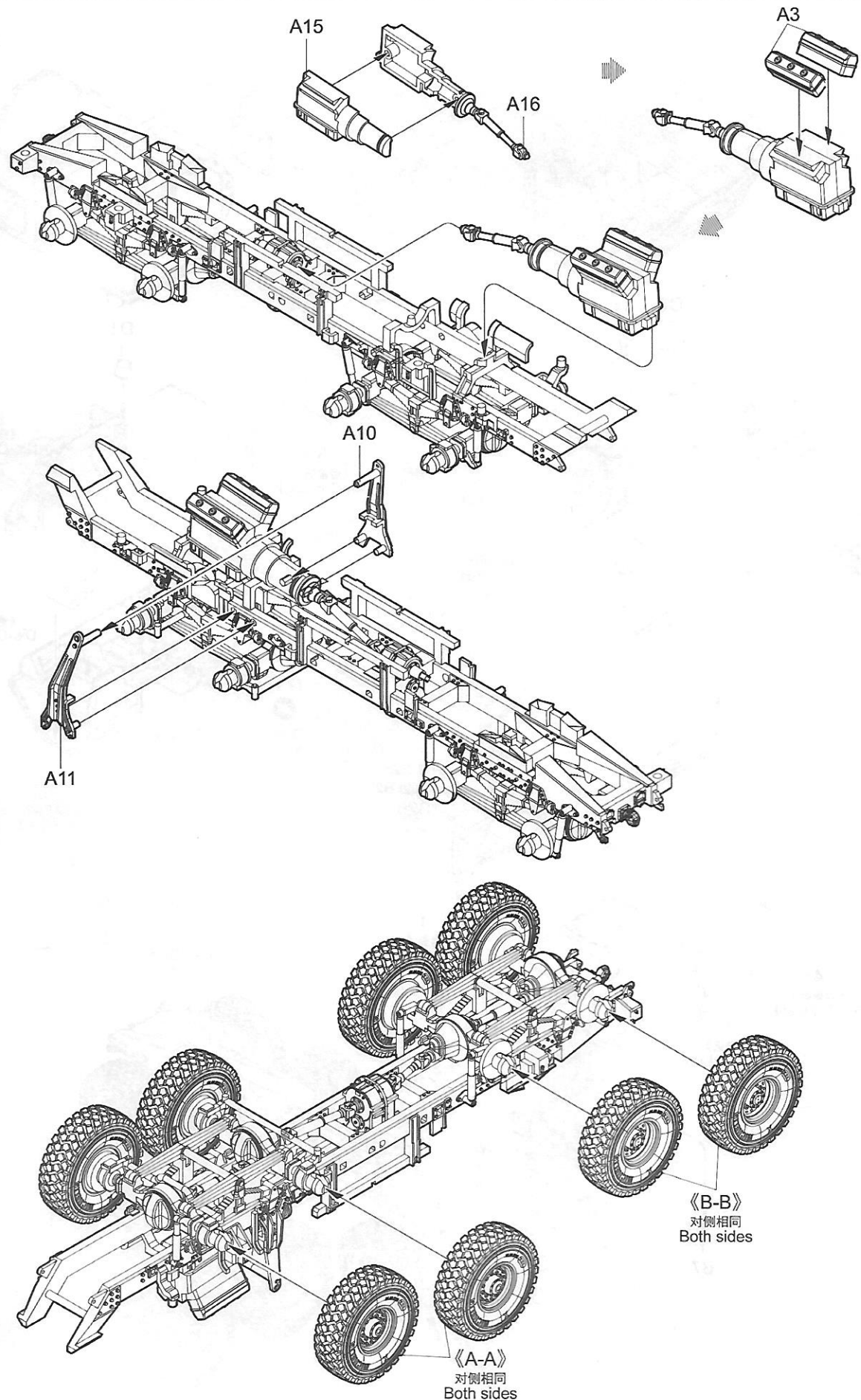
1



2

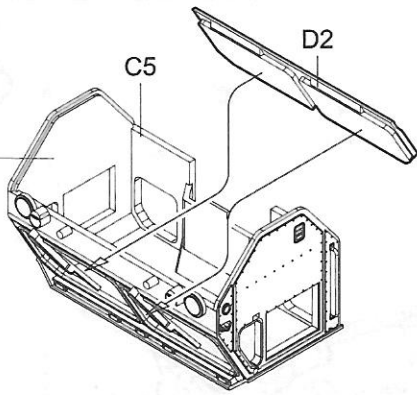


3

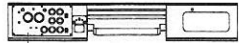
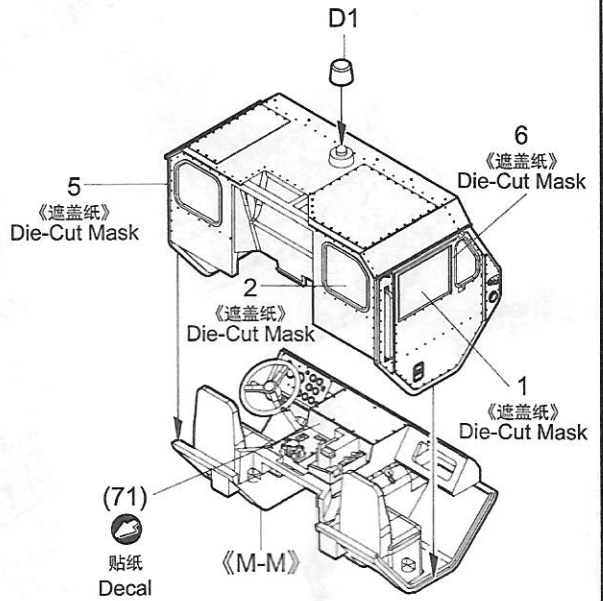
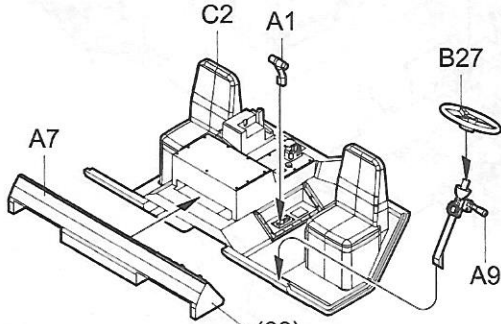
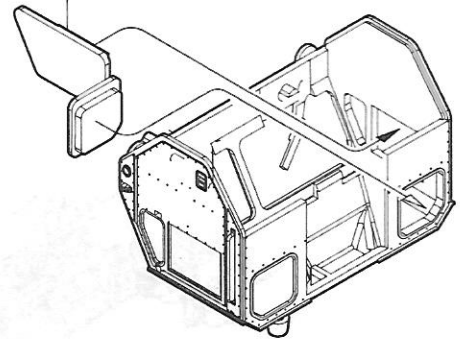


4

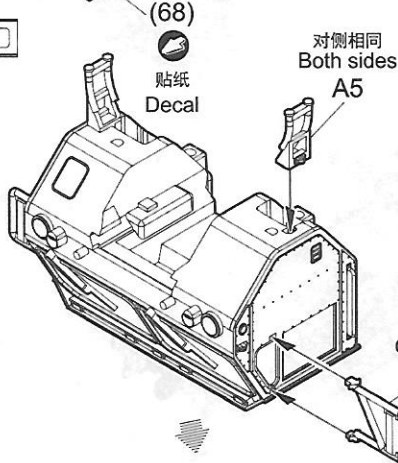
(58)  
贴纸 对侧 (66)  
Decal Opposite (66)



对侧 D4  
Opposite D4  
D3

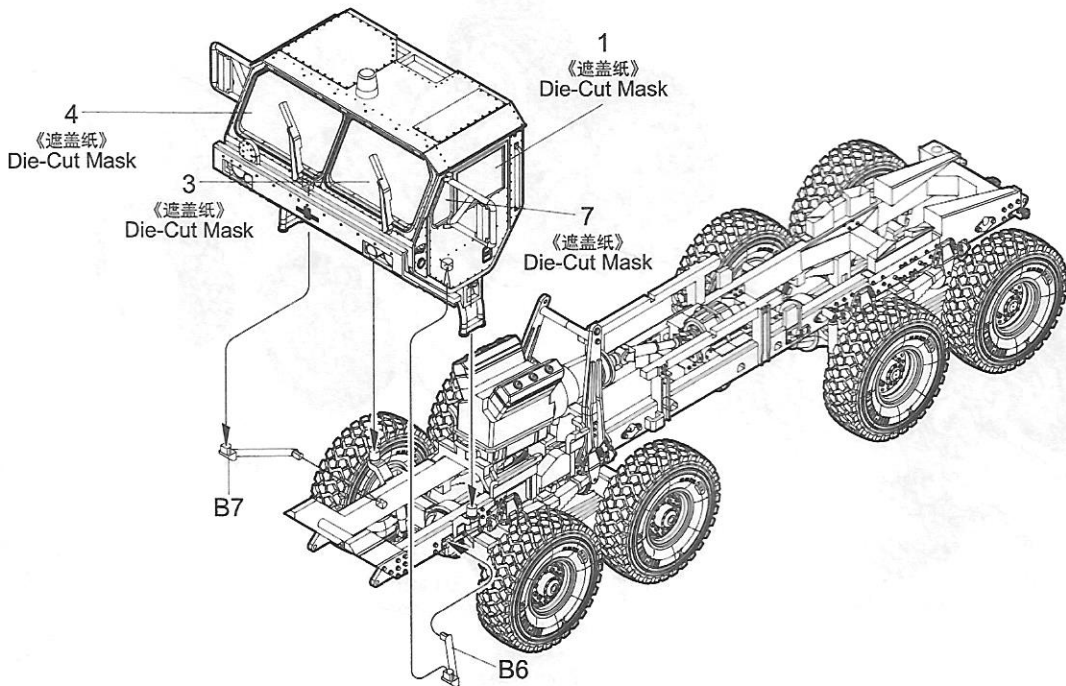


(59)  
贴纸  
Decal

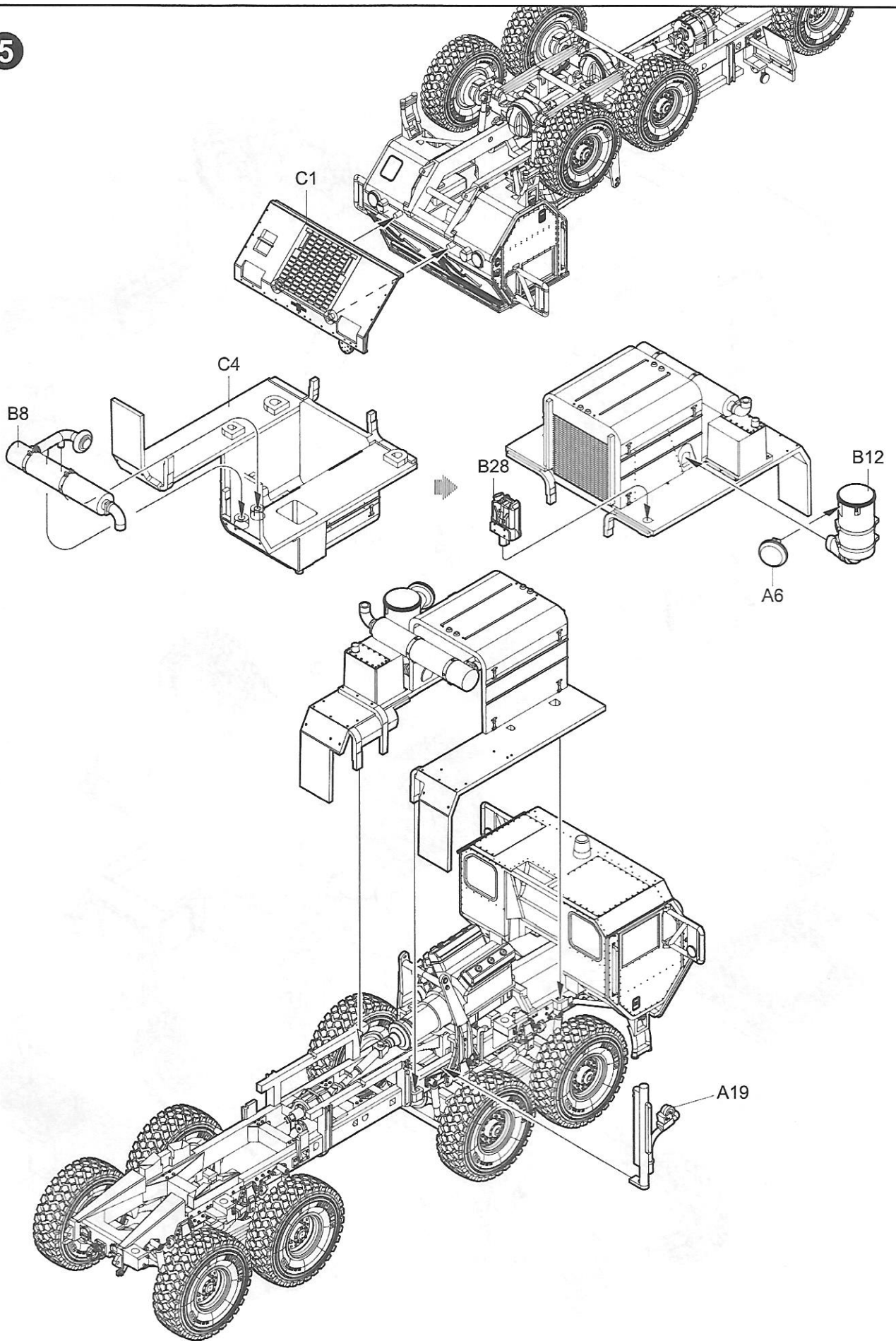


对侧相同  
Both sides

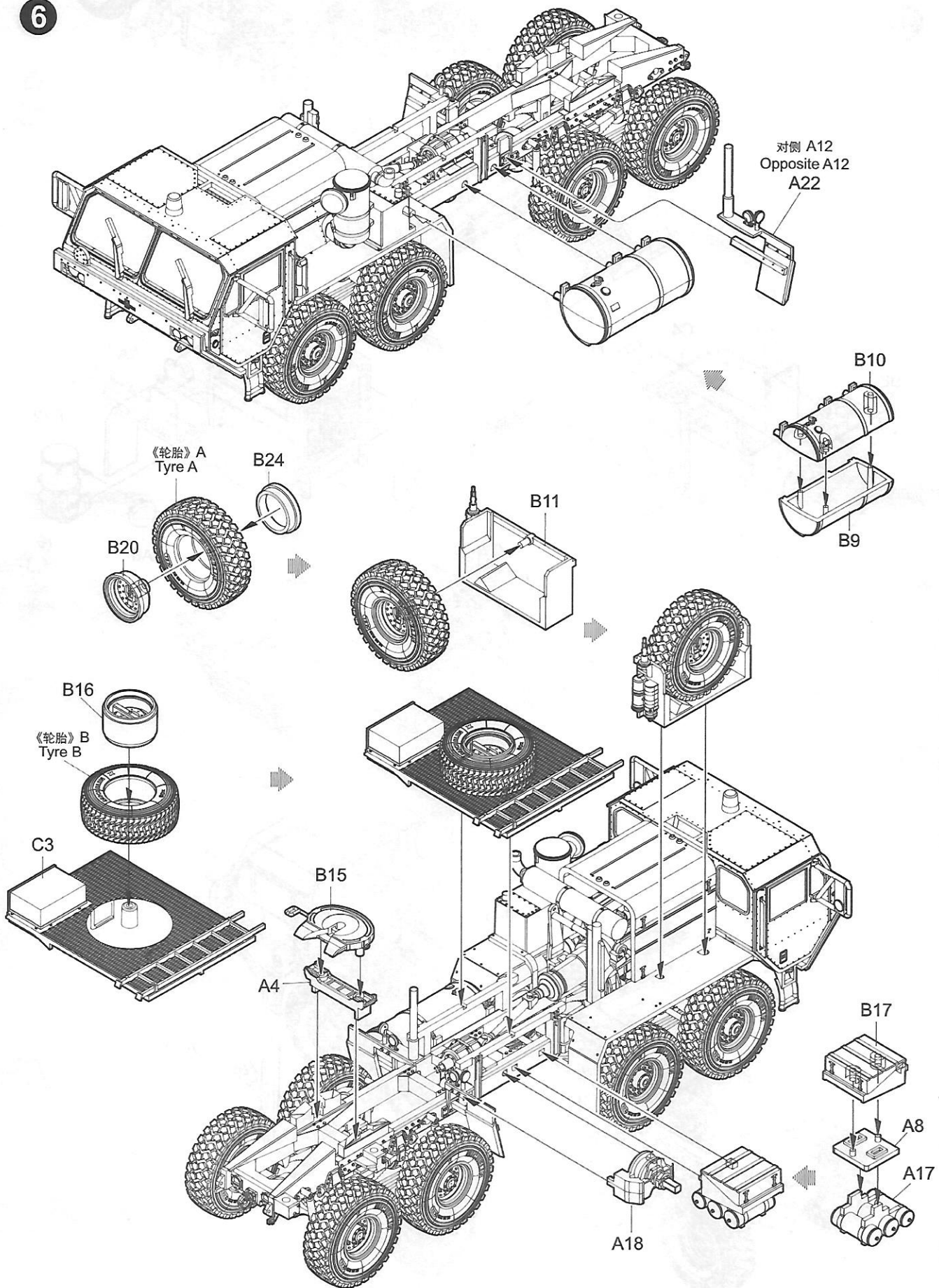
对侧 B25  
Opposite B25  
B26



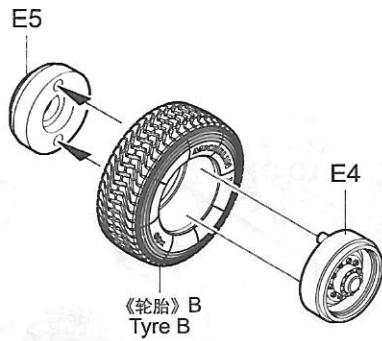
5



6

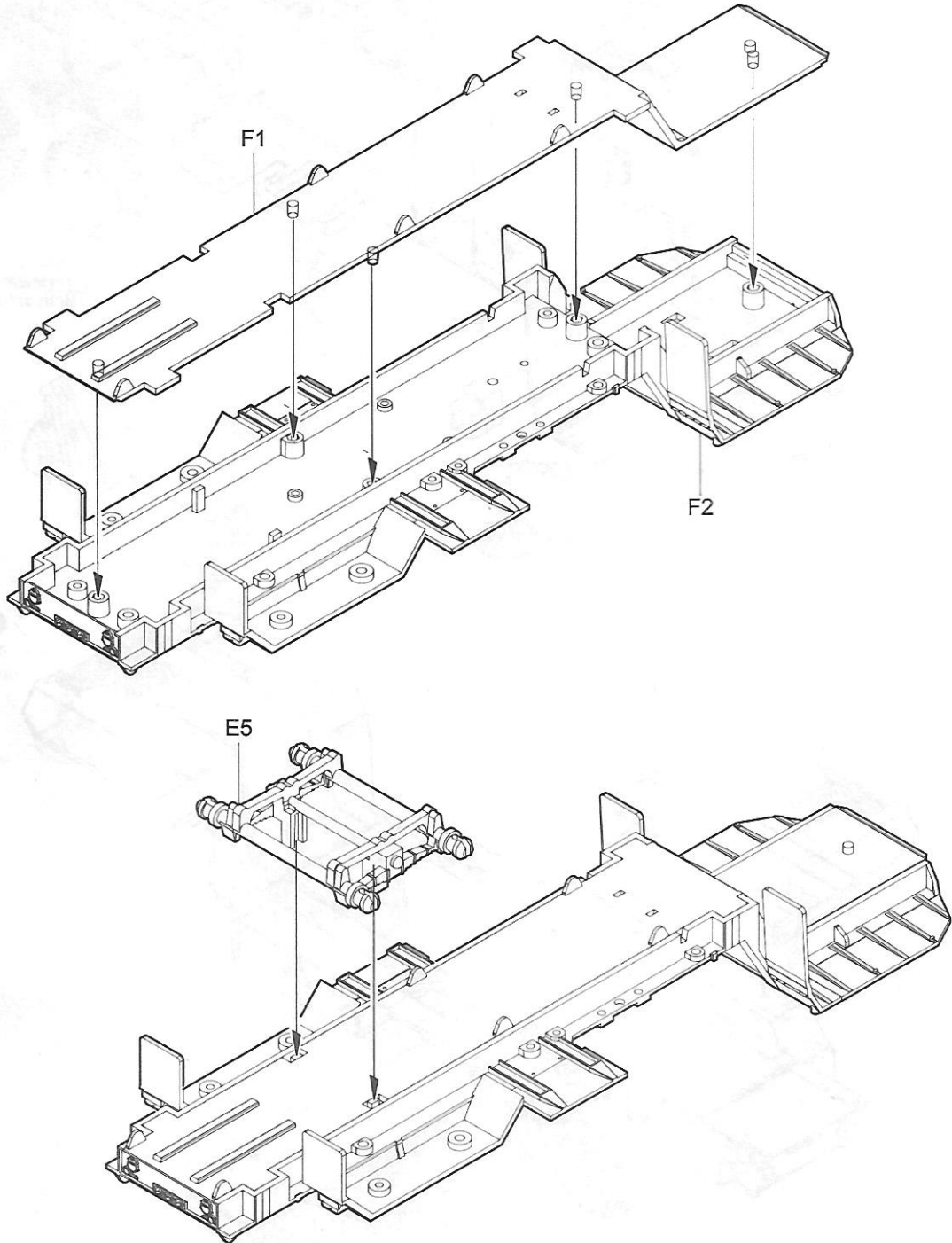


7

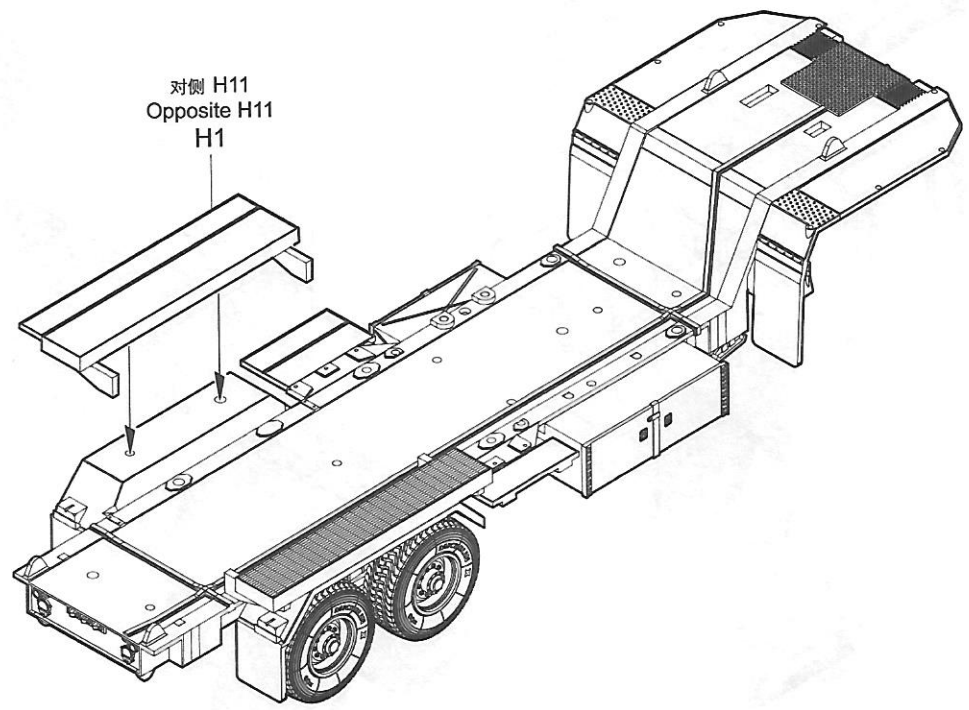
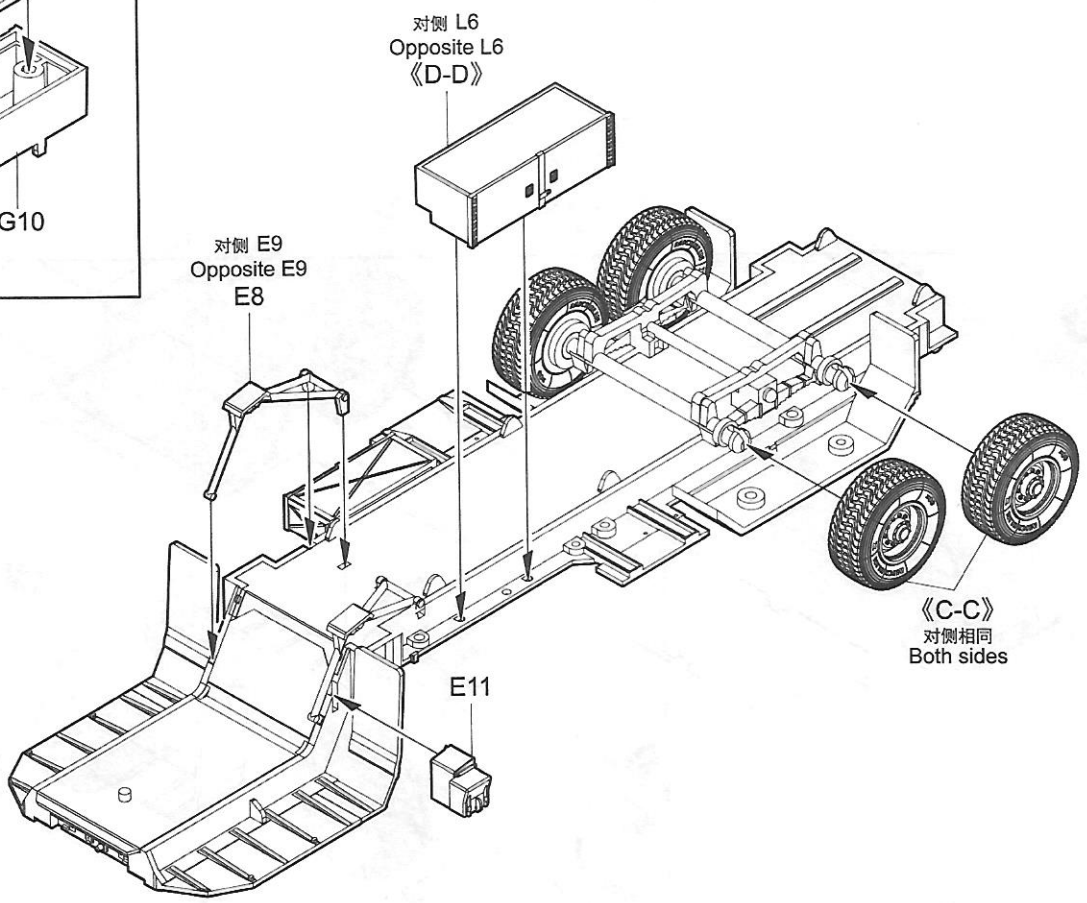
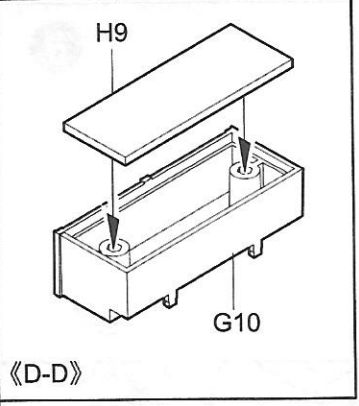


《C-C》  
制作4组  
Make four

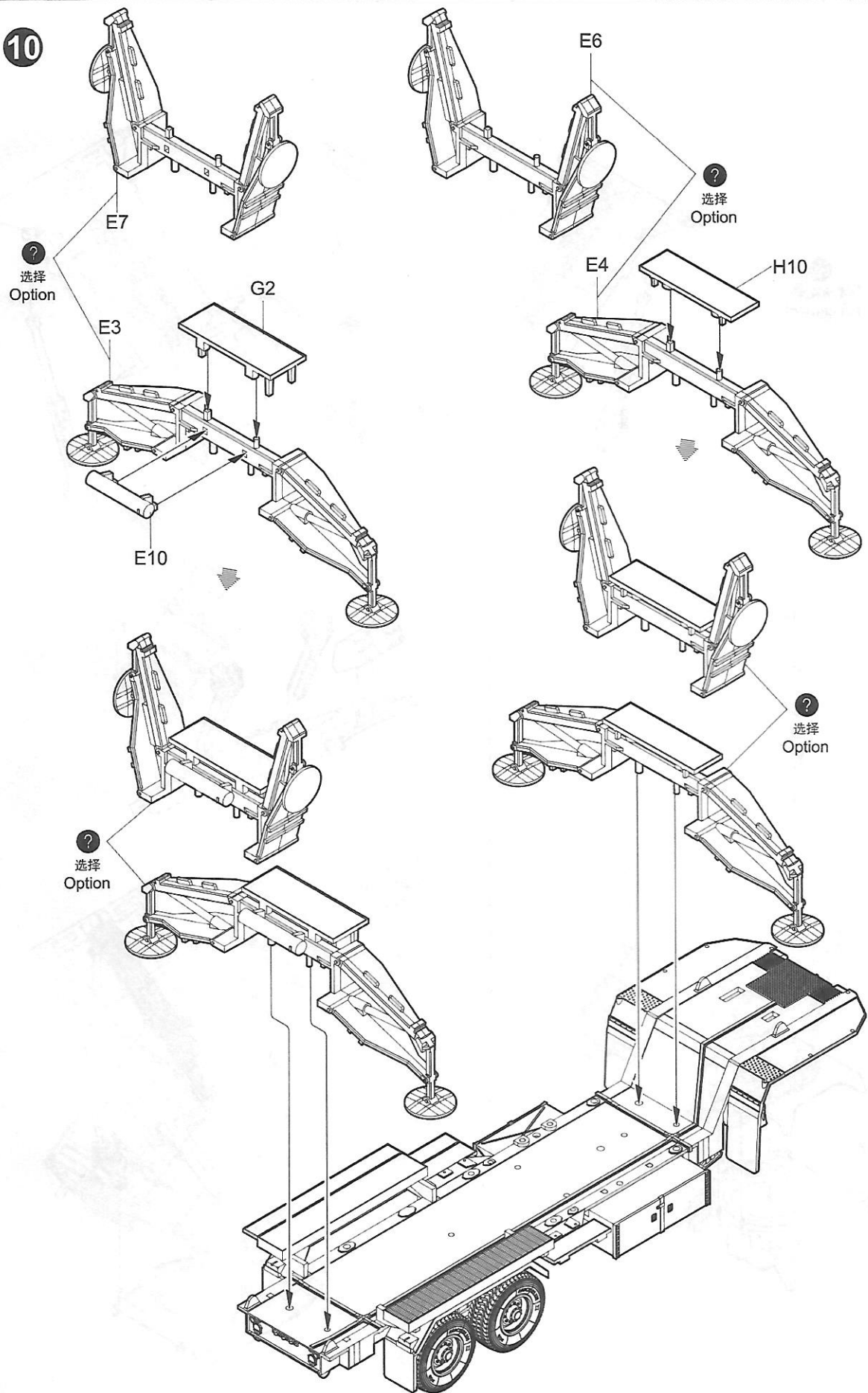
8



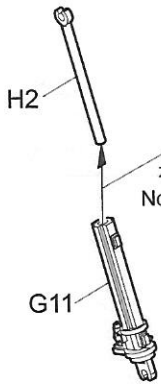
9



10

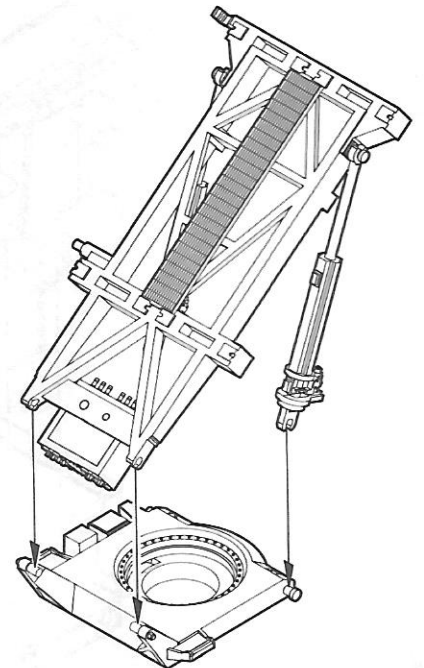
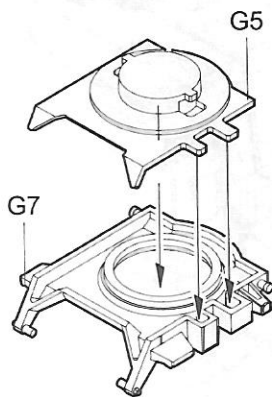
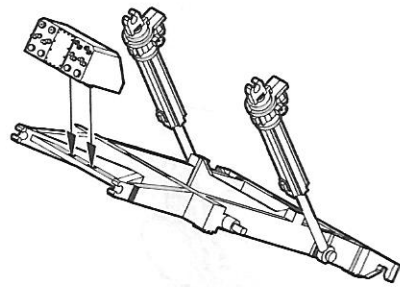
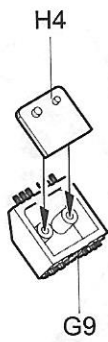
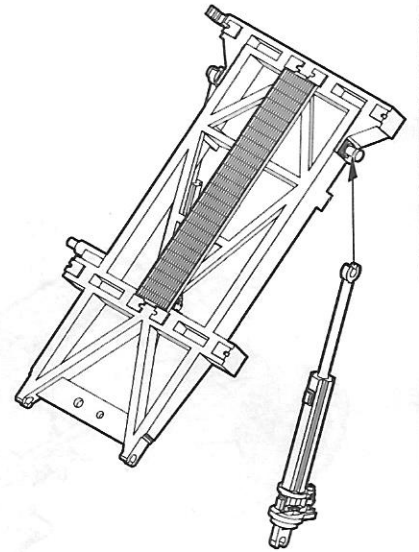
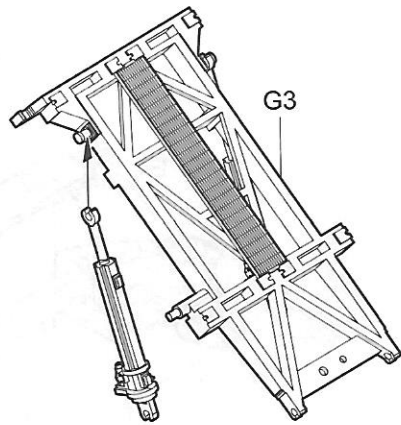


11

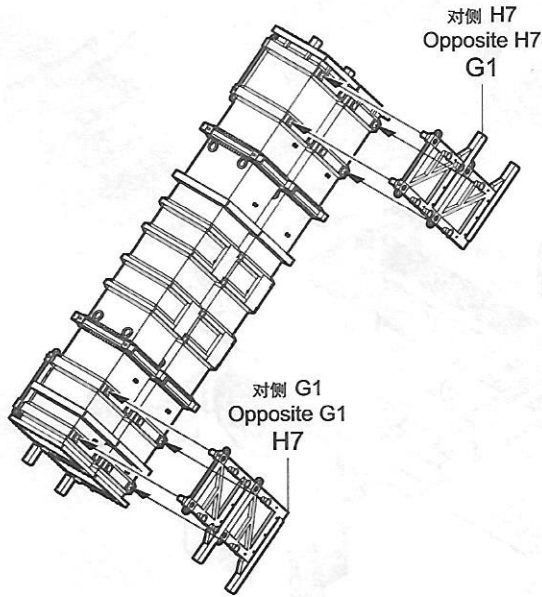
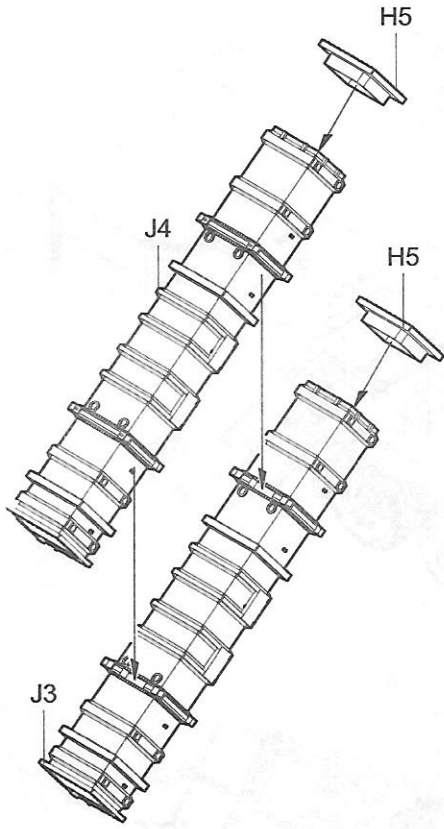


不涂胶水  
No cement

制作2组  
Make two

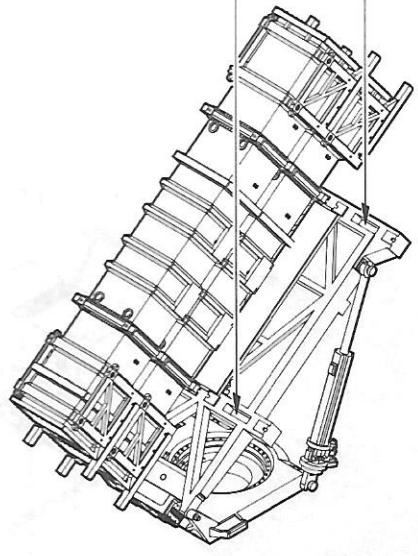
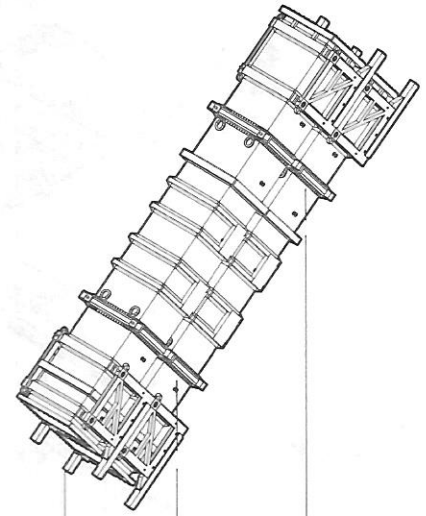


12



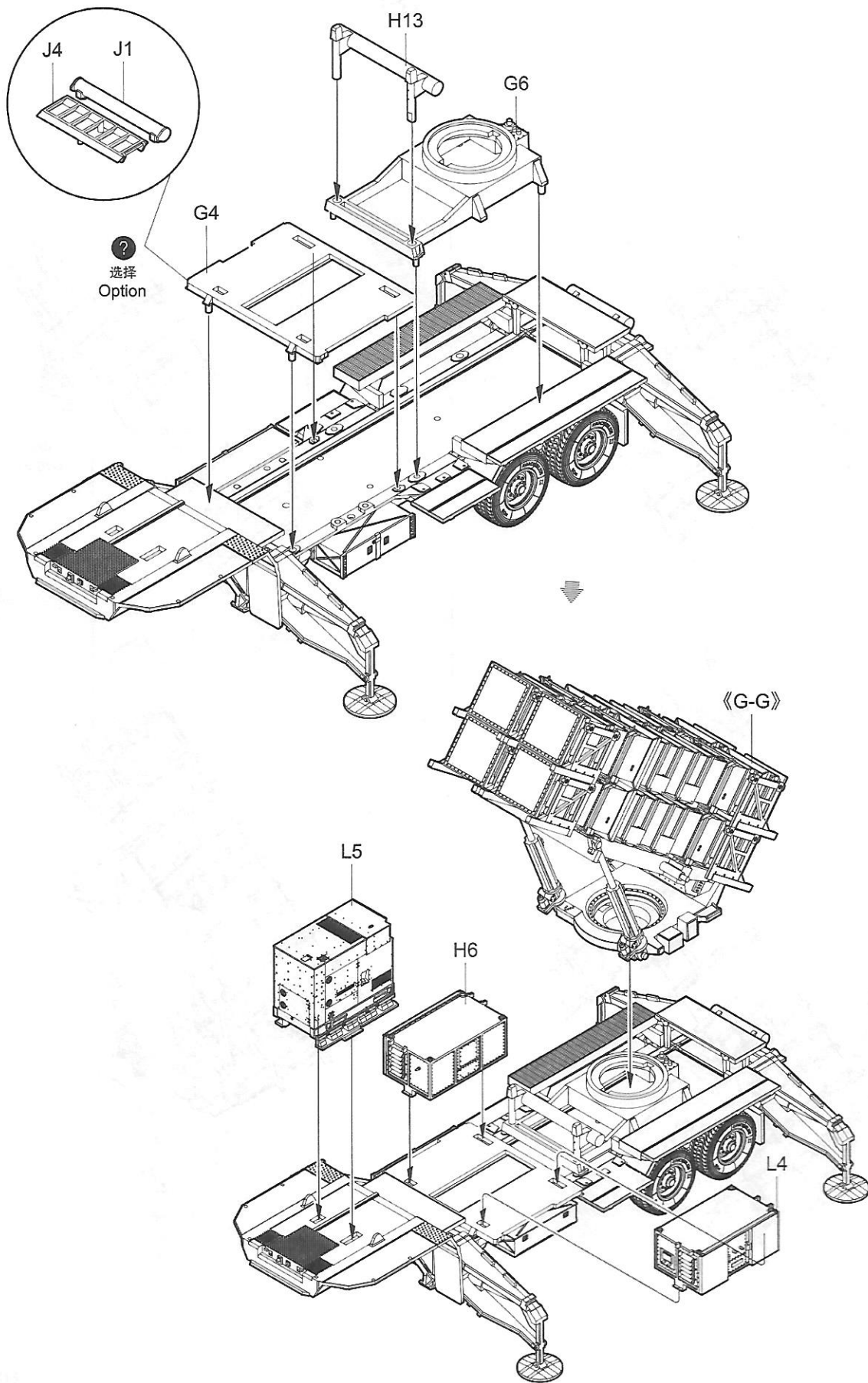
《F-F》  
制作2组  
Make two

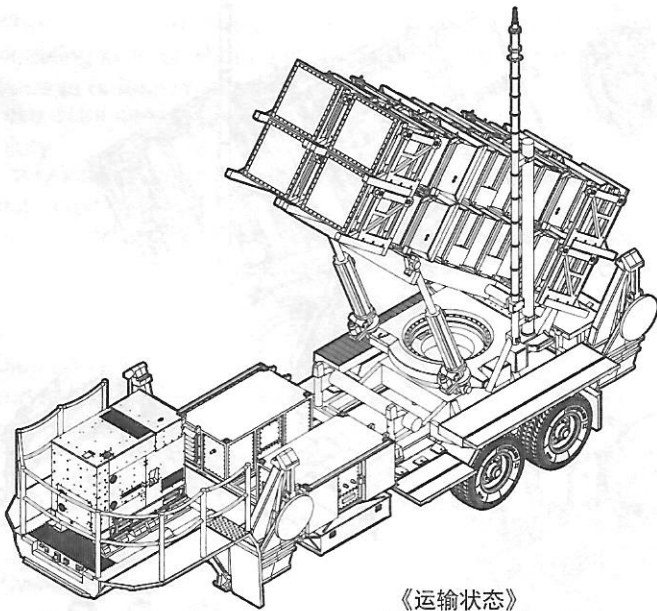
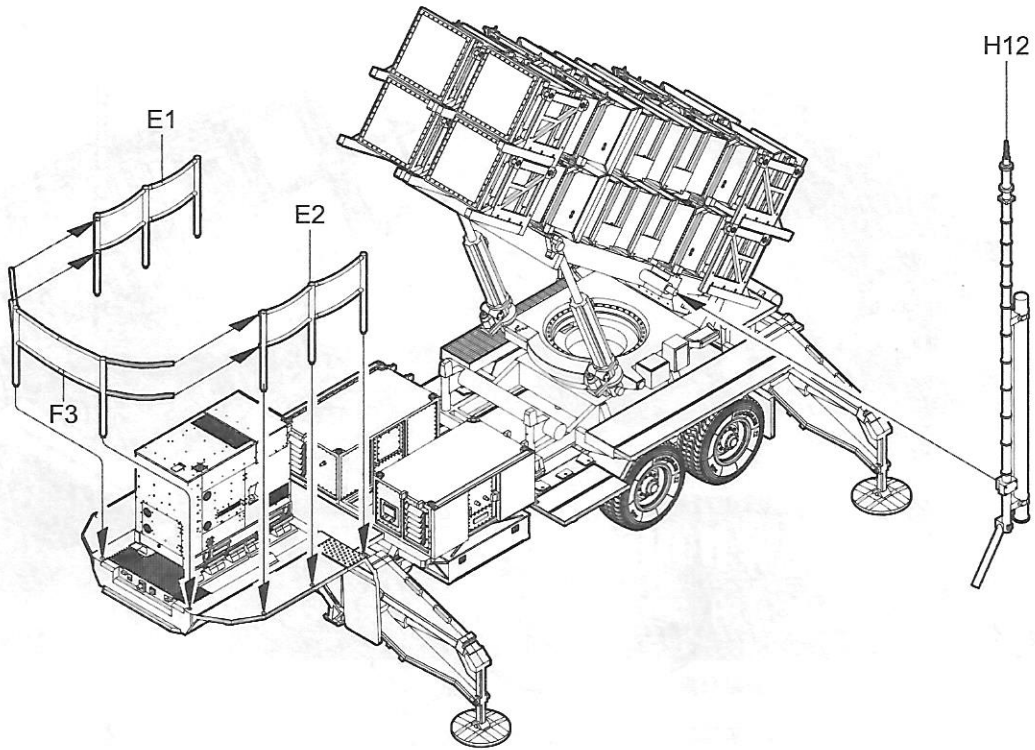
13



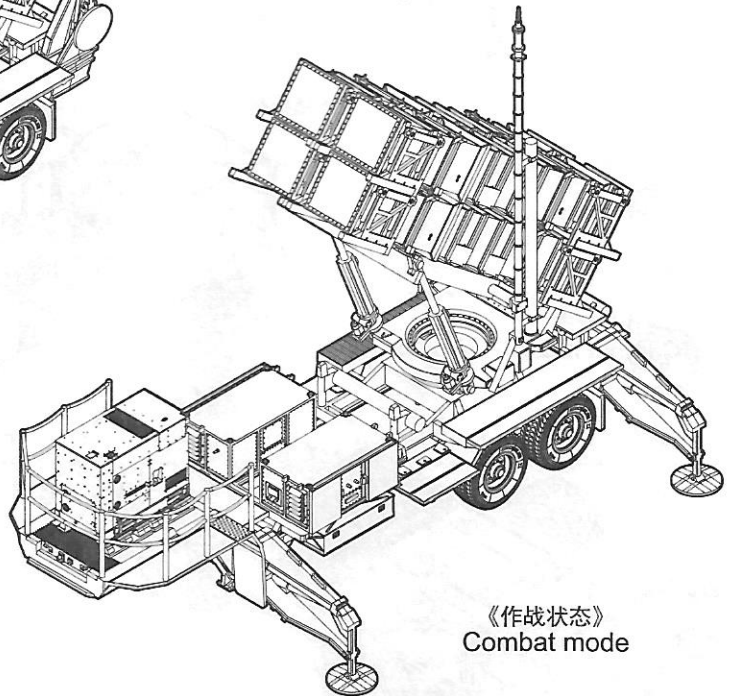
《G-G》

14



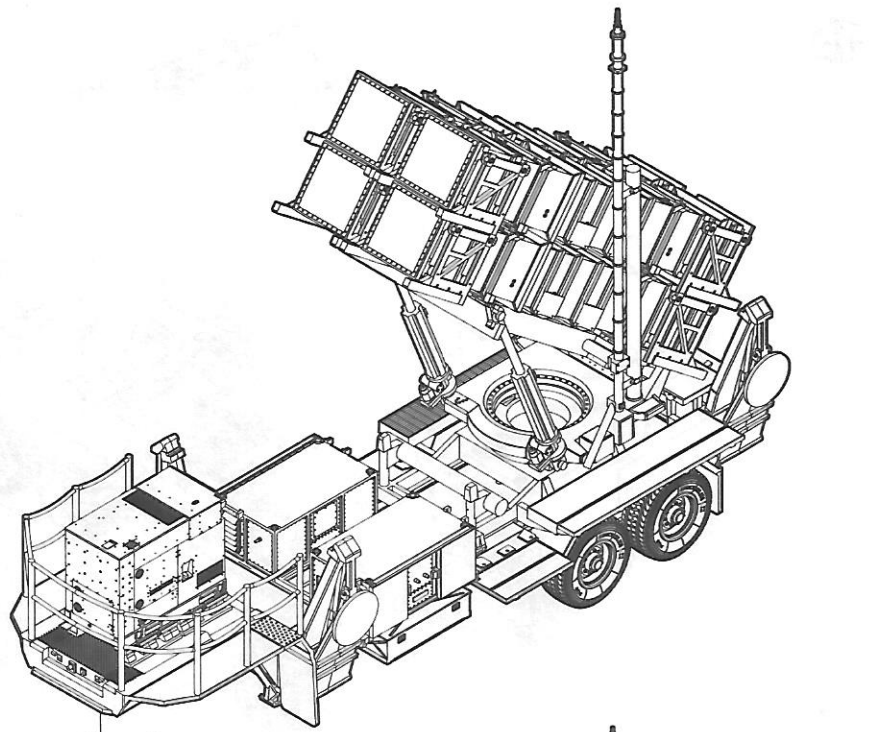
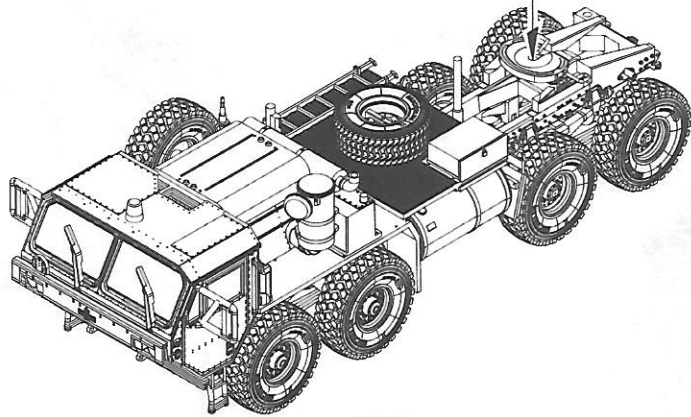


《运输状态》  
Travel mode

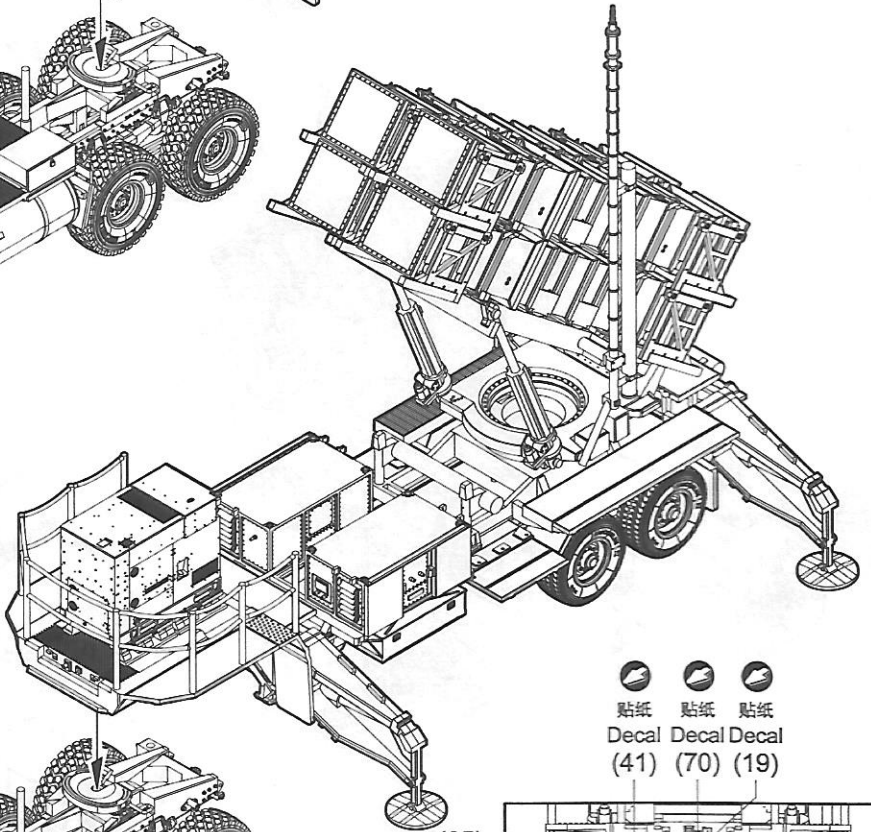
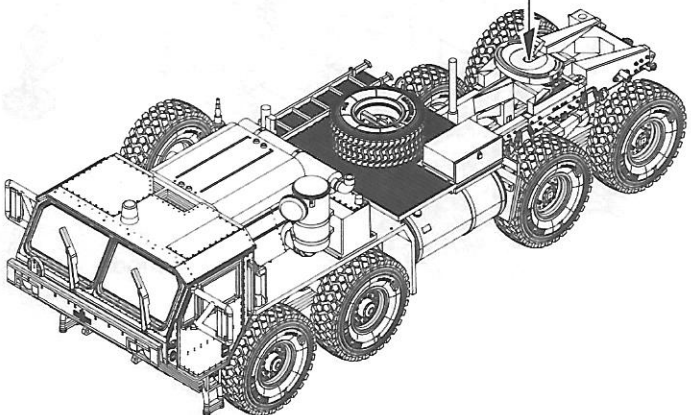


《作战状态》  
Combat mode






《运输状态》  
Travel mode



《作战状态》  
Combat mode



 贴纸  
 贴纸  
 贴纸  
 Decal Decal Decal  
 (41) (70) (19)

- (65)  贴纸  
Decal
- (69)  贴纸  
Decal
- (56)  贴纸  
Decal
- (57)  贴纸  
Decal
- (67)  贴纸  
Decal