

Russian 9P140 TEL of 9K57 Uragan Multiple Launch Rocket System

俄罗斯9K57“飓风”自行多管火箭炮

READ BEFORE ASSEMBLY:

- Study and understand these instructions thoroughly before beginning assembly
- When needed, remove photo-etch parts carefully using a modeling knife or photo etch sprue cutter, being careful not to damage or lose small parts.
- Take extra care in handling photo etch parts in order to avoid injury
- Apply instant cement sparingly to photo etch parts where instructed
- Tools recommended(not included in kit):Plastic and instant cements,sprue cutters,long nose pliers,,modeling knife, small files, tweezers, pin vise & scissors. Soft cloth and sandpaper will also assist in construction
- Glue and paint are not included in the kit. Use plastic cement and hobby paints only. Color guide for purchasing paint is included in the kit.

装配之前仔细阅读

- 小心用模型锉刀锉平所有零件表面的注射浇口。
- 小心用刀片切下蚀刻片零件，不要遗失小零件。
- 用强力快干胶水粘合蚀刻片零件和金属轴。过量的快干胶水使用可能导致可动零件会粘住，小心涂胶。
- 取蚀刻片时应特别注意安全，防止利边划伤手指。
- 某些零件表面需贴水上贴纸，请选择在装配的同时进行。
- 推荐模型工具(自备)：胶水，水口剪刀，长咀钳，刀片，锉刀，镊子，钳，钻，剪刀，瞬间快干胶。
- 软布同砂纸同时也是所需工具。
- 请使用塑料胶水和油漆，模型内不含。



使用强力胶

Cyanoacrylate glue



配重

Weight



钻孔

Make hole



切除

Cut / Remove



贴纸

Decal



锉平

File / Sand



选择

Option



不涂胶水

No cement



弯曲

Bend



先装

Install it first



填补

Repair

水贴纸的使用:

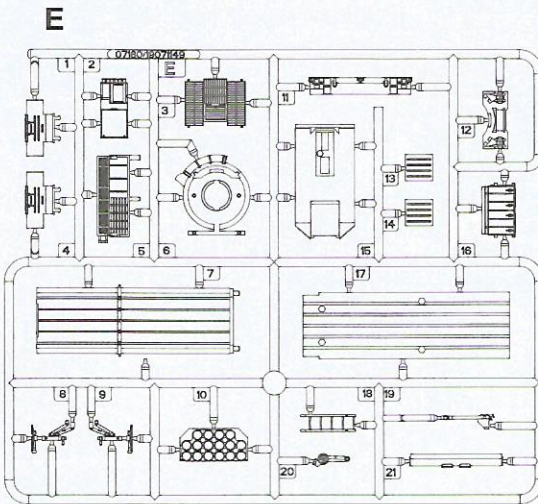
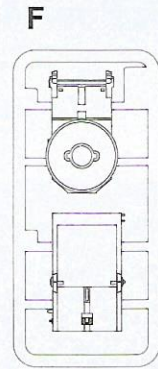
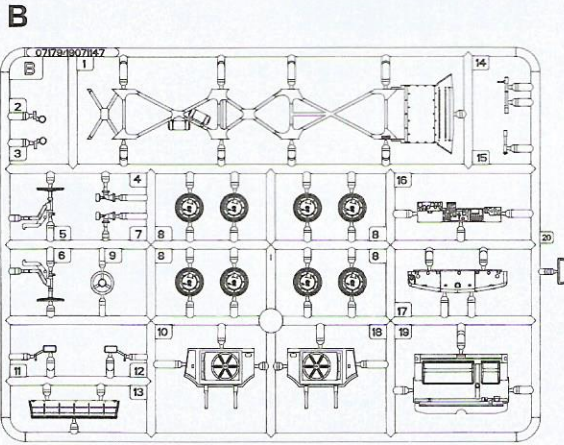
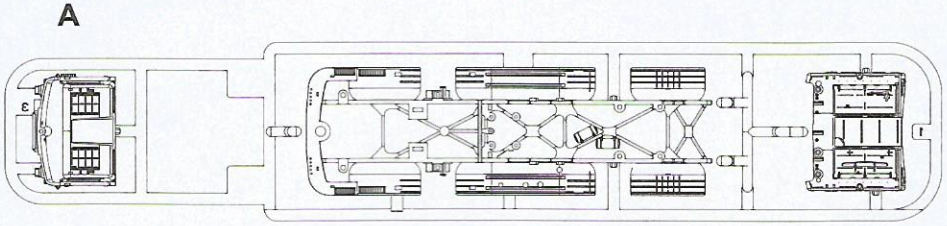
1. 从水贴纸上剪下印花;
2. 将印花放入温水中浸10秒, 然后放在干净布上。
3. 拿着印花纸将印花移到模型上;
4. 手指蘸水将印花移到适当的位置;
5. 用软布轻压印花直至水干, 气泡消失。

DECAL APPLICATION

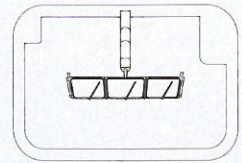
1. Cut off decal from sheet.
2. Dip the decal in tepid water 40°C for about 10 sec. and place on a clean cloth.
3. Hold the backing sheet edge and slide decal onto the model.
4. Move decal into position by wetting decal with finger.
5. Press decal gently down with a soft cloth until excess water and air bubbles are gone.
6. Allow decal to dry completely before handling model.

* 说明书中含有重要信息, 应保留。 Please Keep instruction since it contains important information.

部品图
Parts



GP4



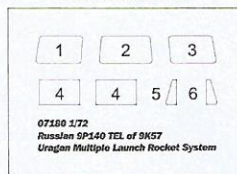
《轮胎》
Tyre x8



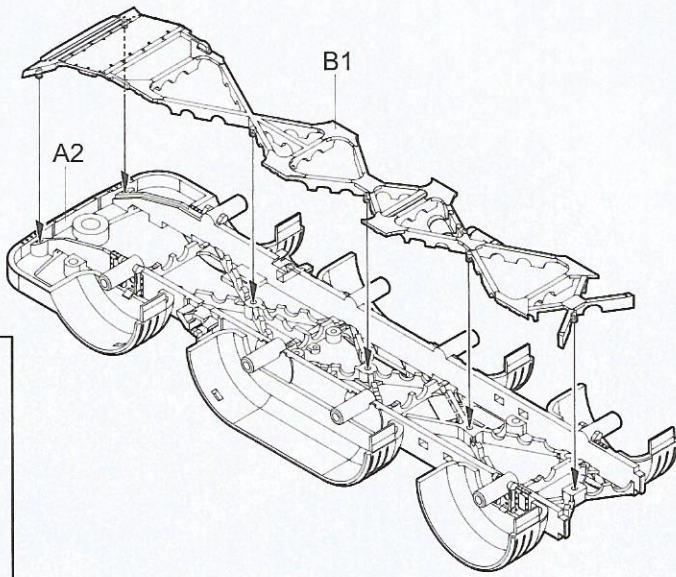
《贴纸》
Decal



《遮盖纸》
Die-cut mask



1

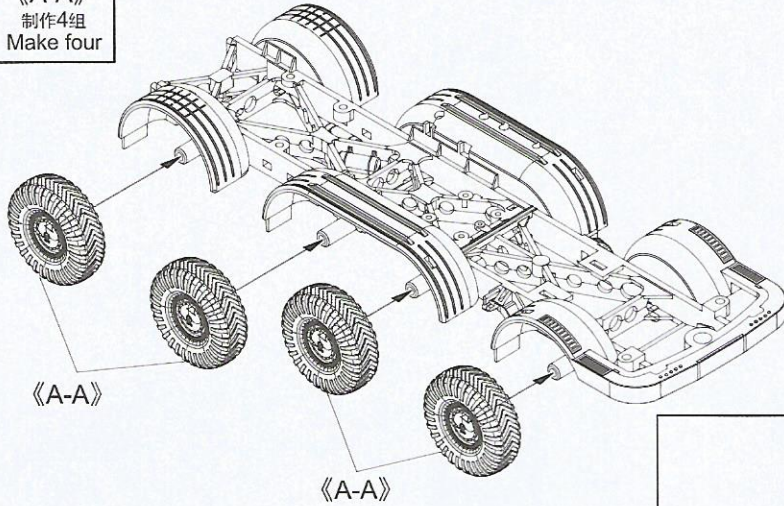


《轮胎》
Tyre

B8

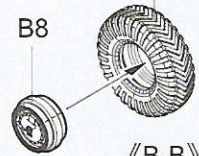


《A-A》
制作4组
Make four

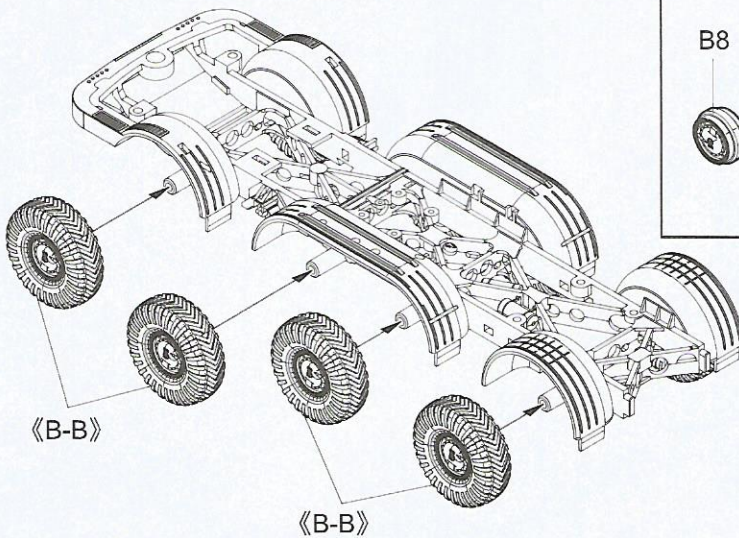


《轮胎》
Tyre

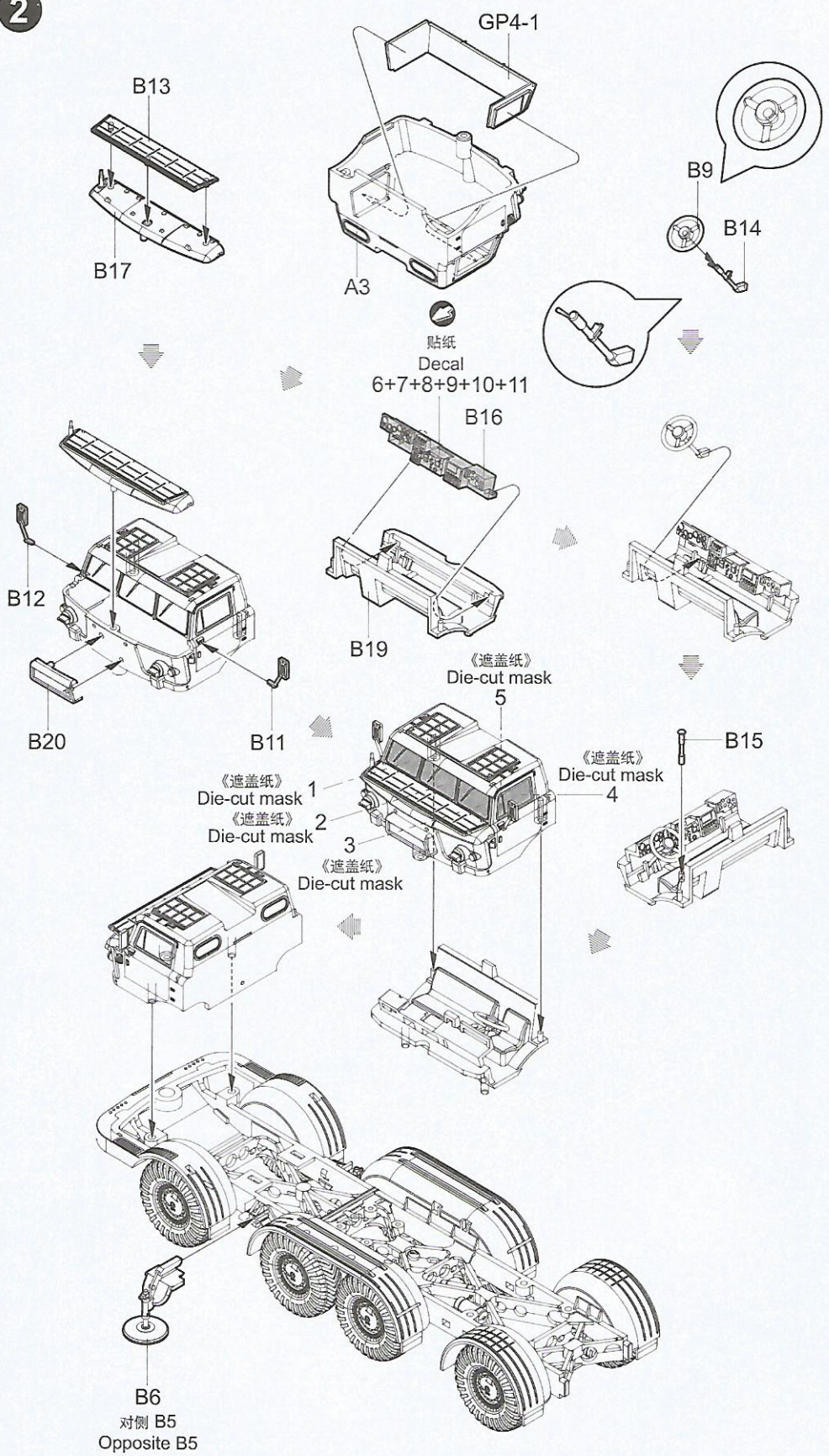
B8



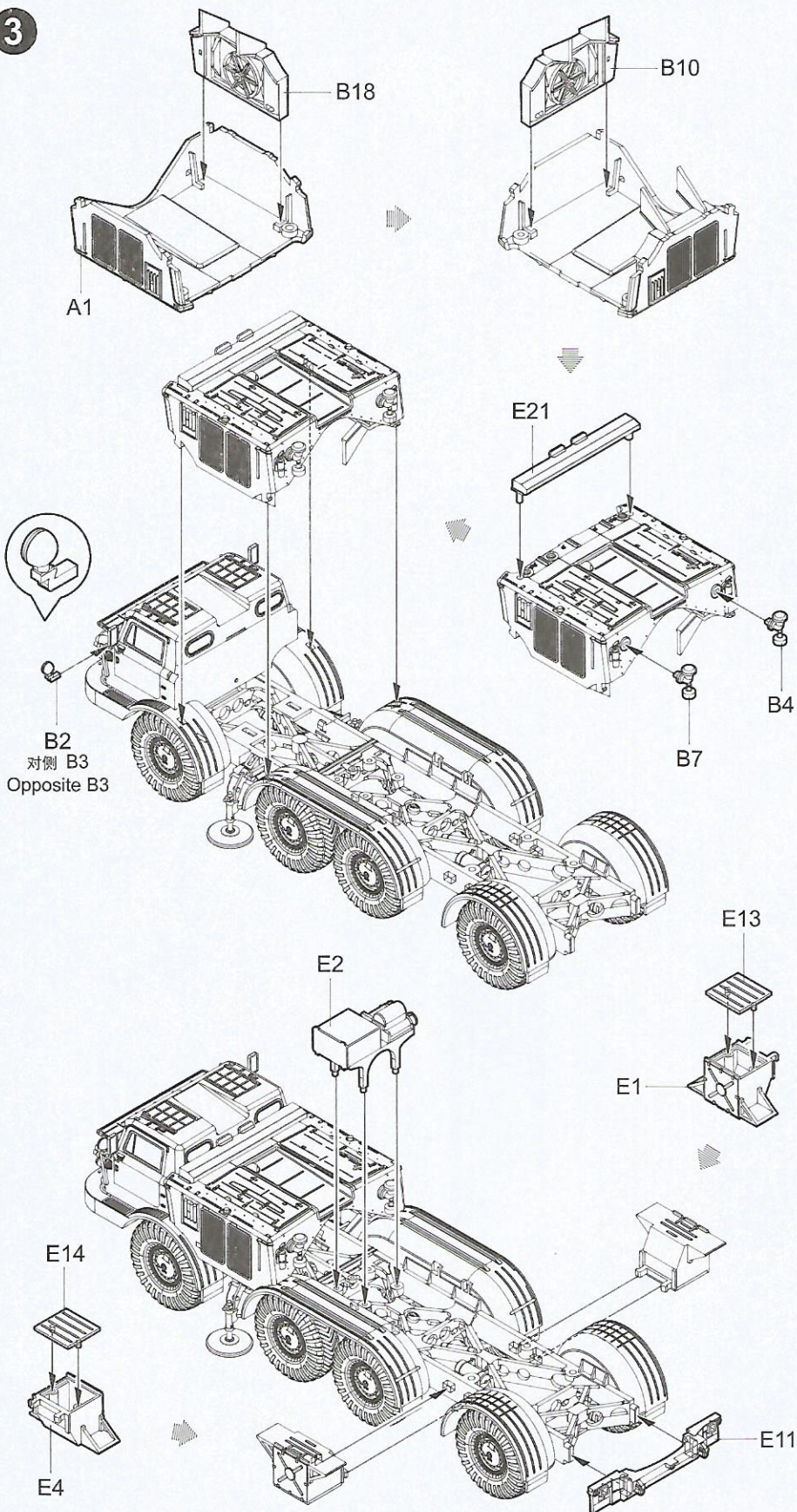
《B-B》
制作4组
Make four



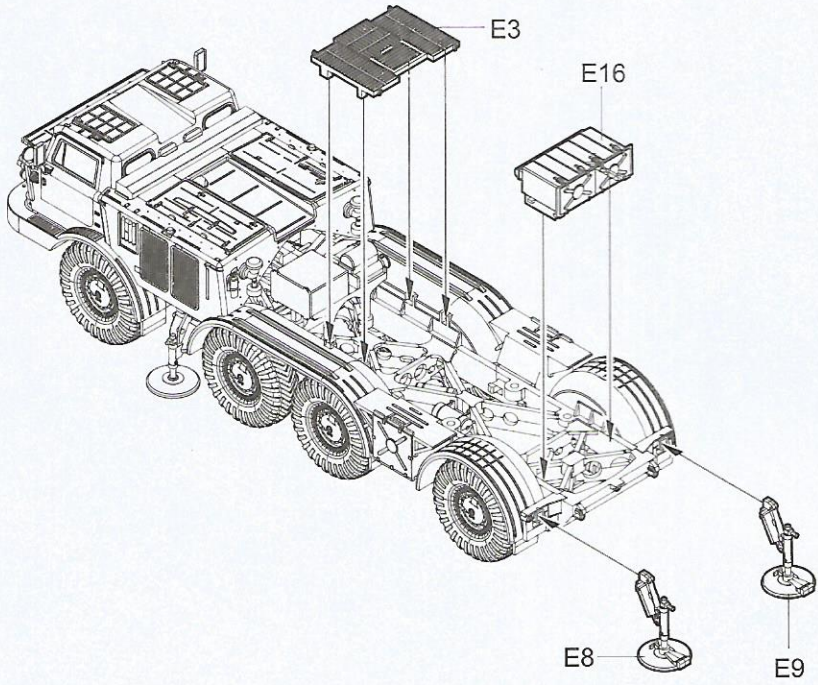
2



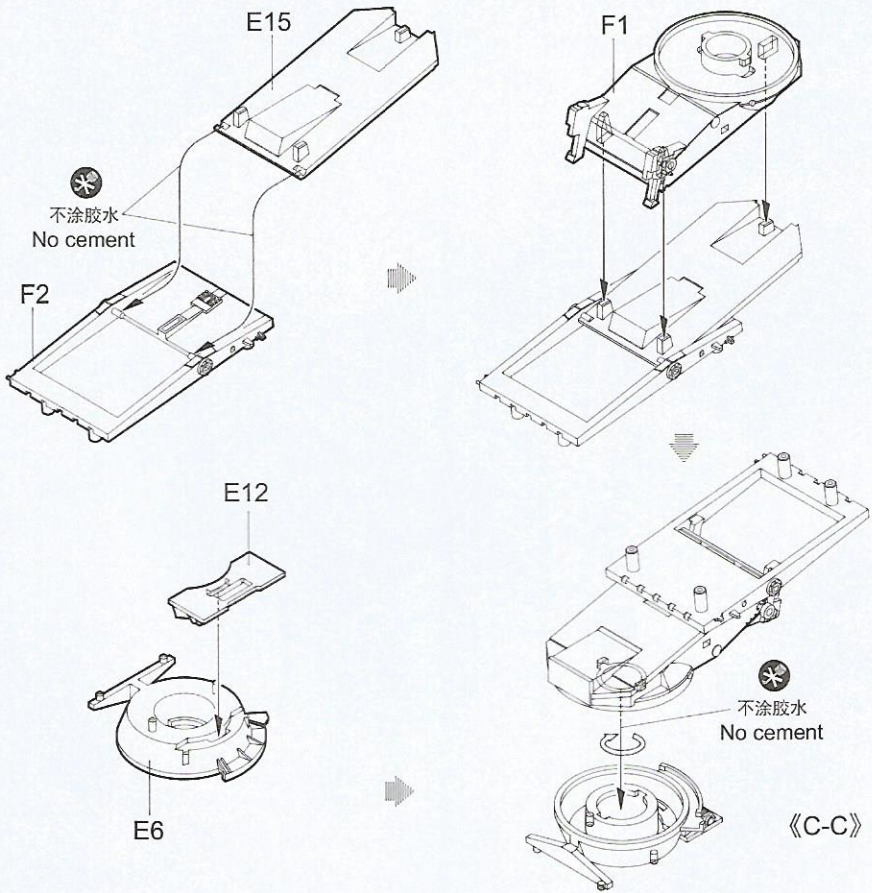
3



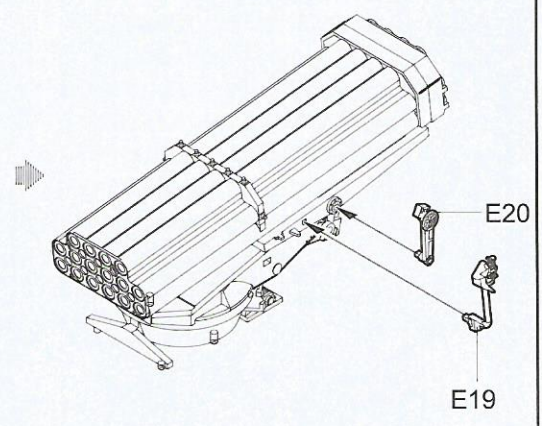
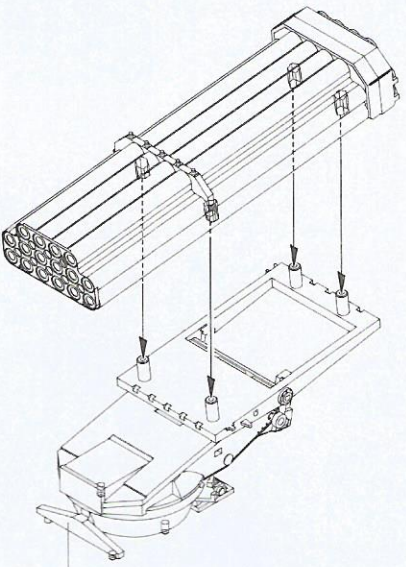
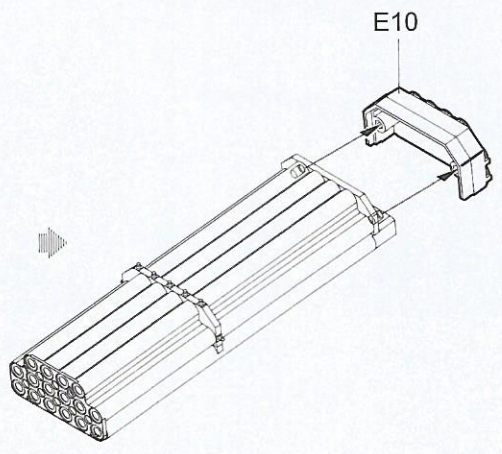
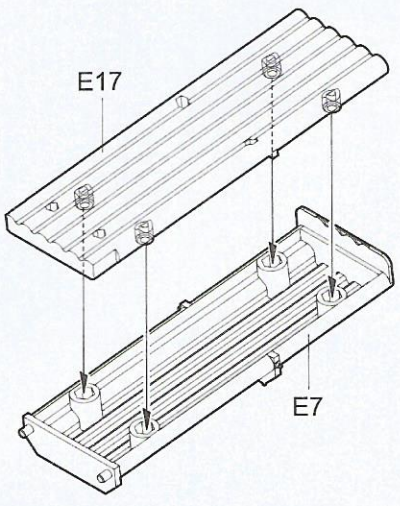
4



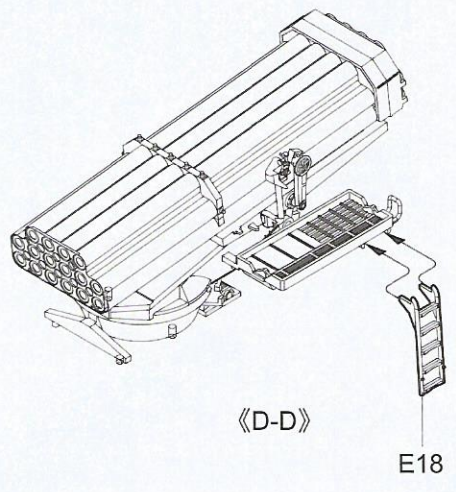
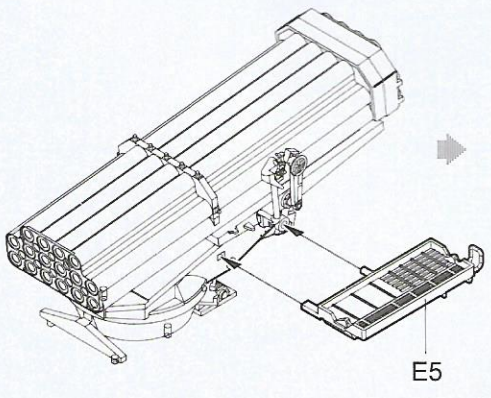
5



6



«C-C»

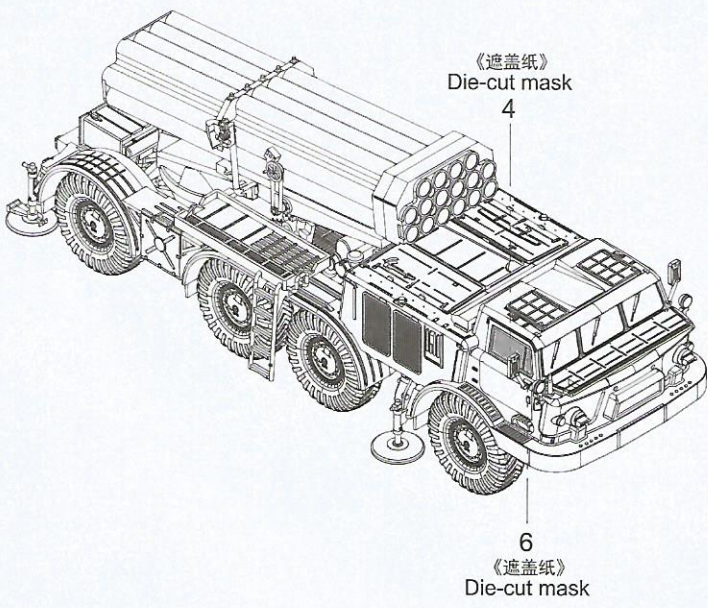
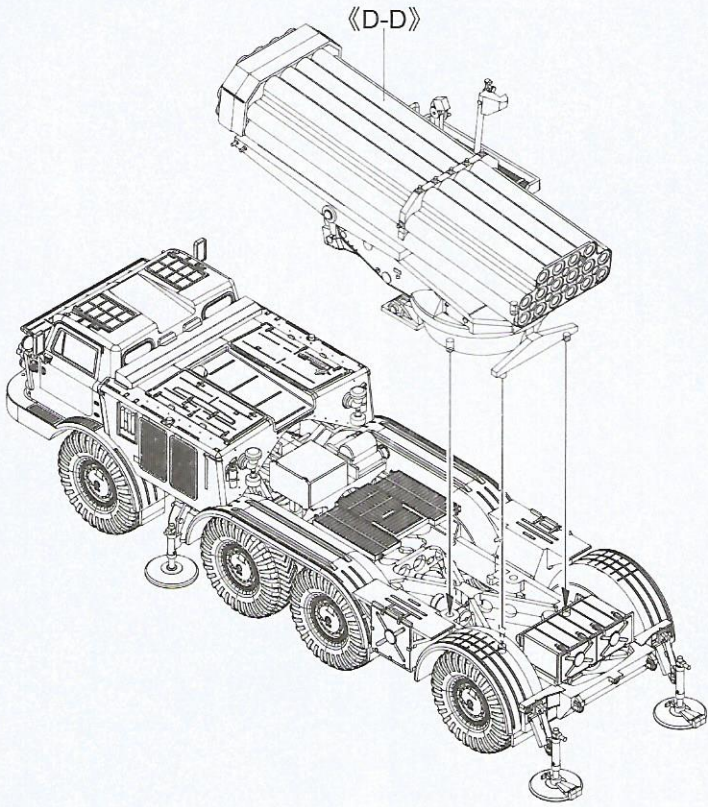


«D-D»

E5

E18

7



涂装同标贴指示

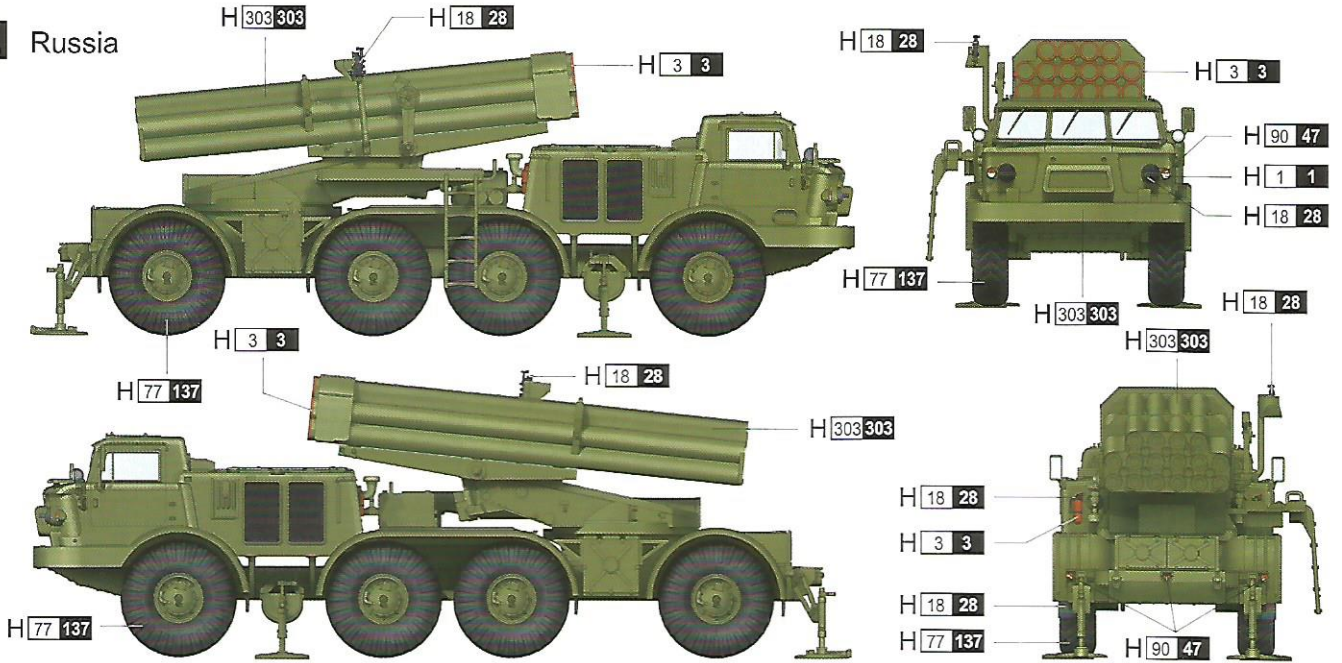
Painting & Marking guide

Color	Mr.Hobby	Acrycion	Vallejo	Model Master	Tamiya	Humbrol
Light Green 绿色	H 303 303	N 303	-	1713	XF20	117
Sandy Brown 沙褐色	H 19	N	-	-	-	-
Steel 黑灰色	H 18 28	N 18	864	1402	XF84	-

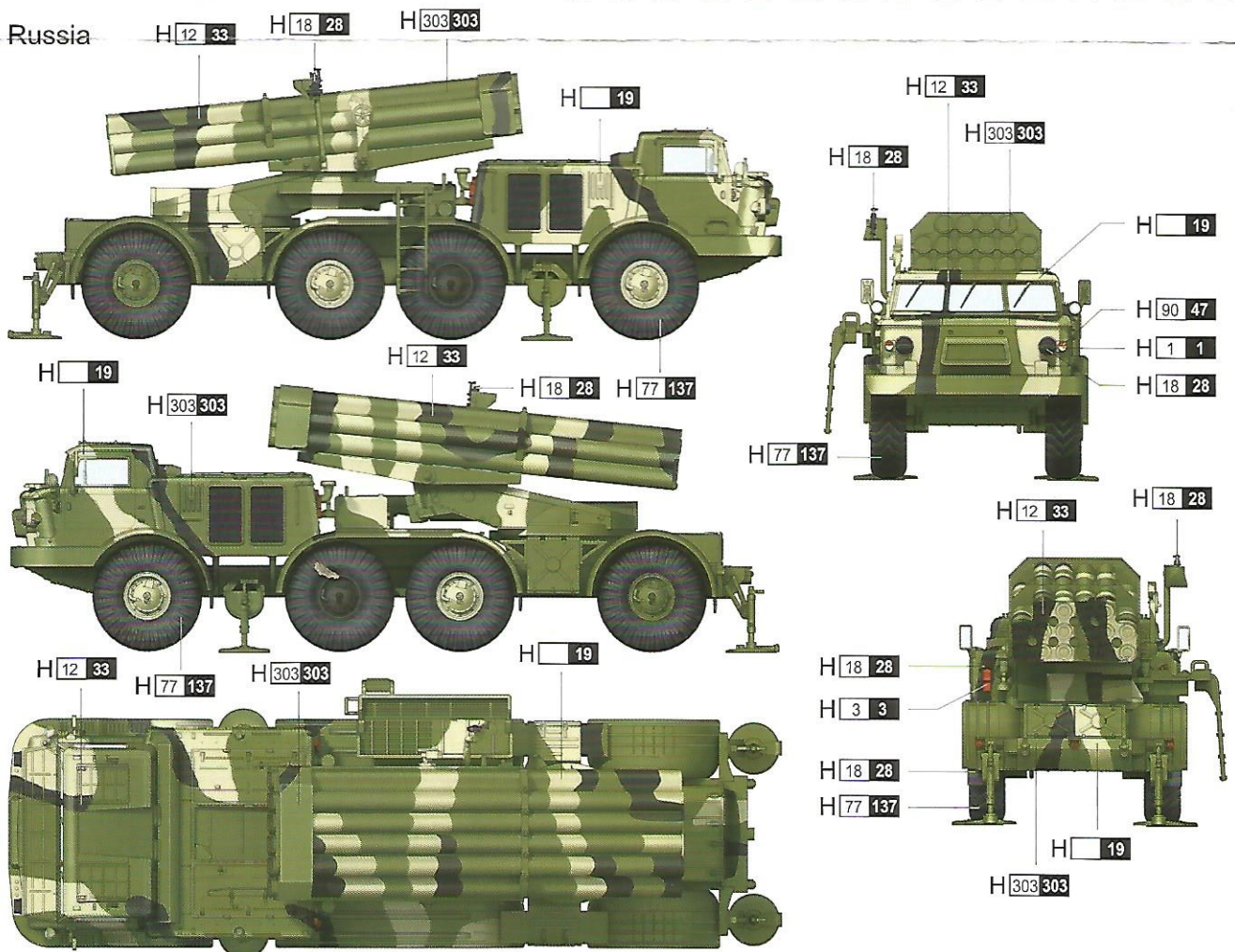
PAINT REFERENCE COLOR

Color	Mr.Hobby	Acrycion	Vallejo	Model Master	Tamiya	Humbrol
Forest Green 绿色	H 309 309	N 309	893	1710	XF58	116
Dark Yellow 砂黄色	H 79 39	N 79	824	-	XF59	93
Brown 茶色	H 7 7	N 7	872	1540	X9	10
Olive Drab 橄榄色	H 304 304	N 304	887	1711	XF62	155
Flat Black 消光黑	H 12 33	N 12	950	1749	XF1	33
Tire Black 胎黑色	H 77 137	N 77	-	-	XF85	-

A Russia



B Russia



H AQUEOUS HOBBY COLOR Mr. COLOR N ACRYCION COLOR

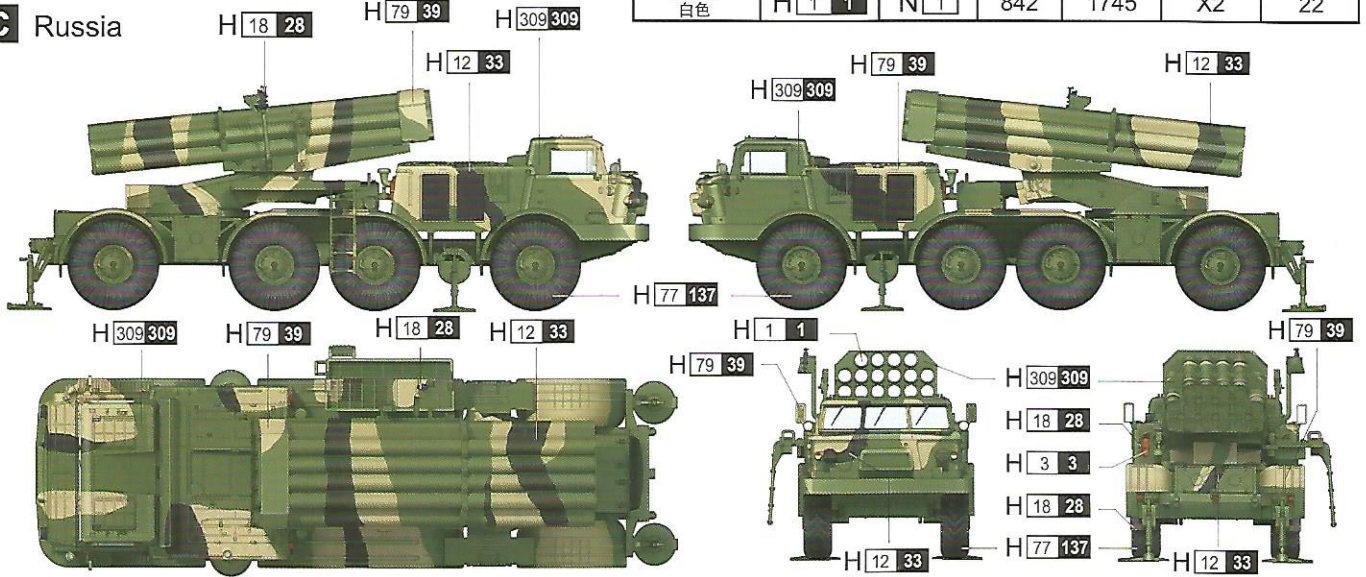
涂装同标贴指示

Painting & Marking guide

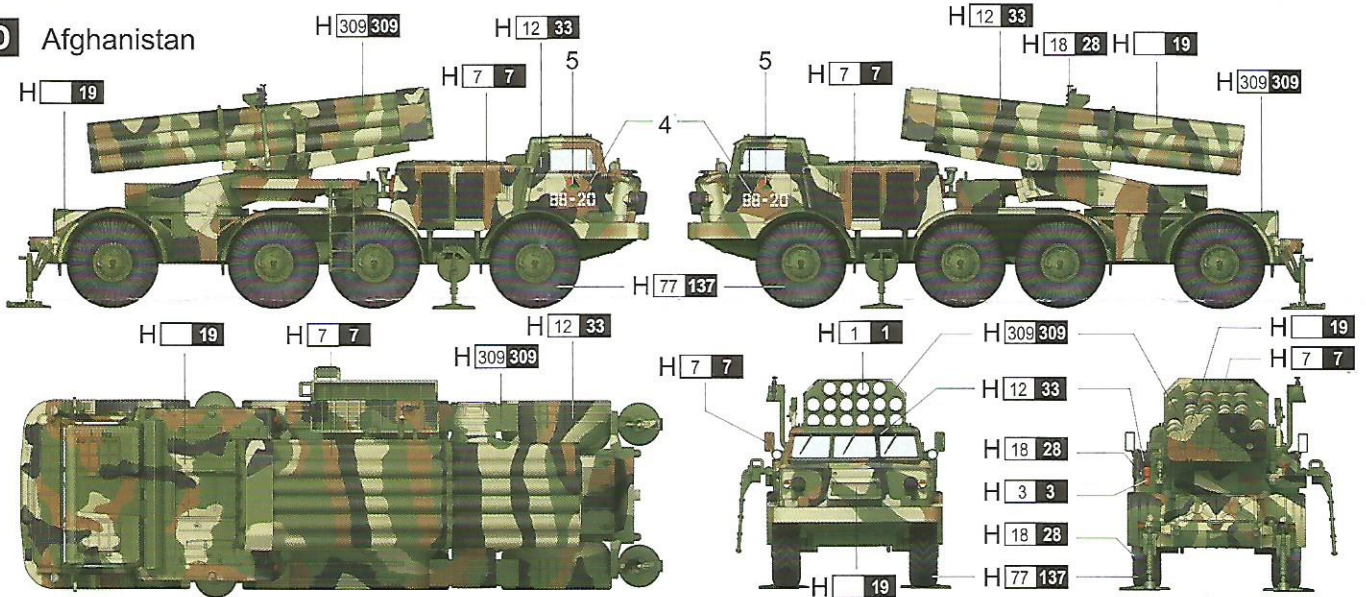
PAINT REFERENCE COLOR

Color	Mr.Hobby	Acrycion	Vallejo	Model Master	Tamiya	Humbrol
Clear Red 透明红	H 90 47	N 90	934	-	X27	-
Red 红色	H 3 3	N 3	908	1503	X7	19
White 白色	H 1 1	N 1	842	1745	X2	22

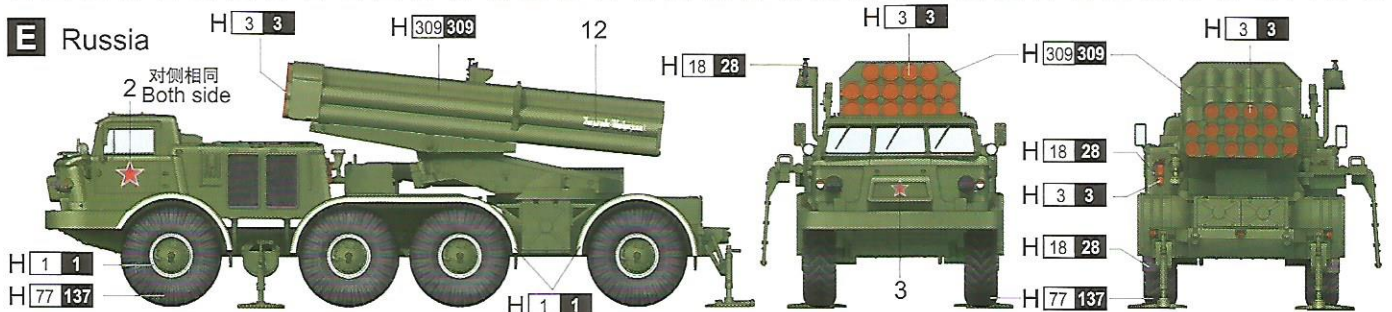
C Russia



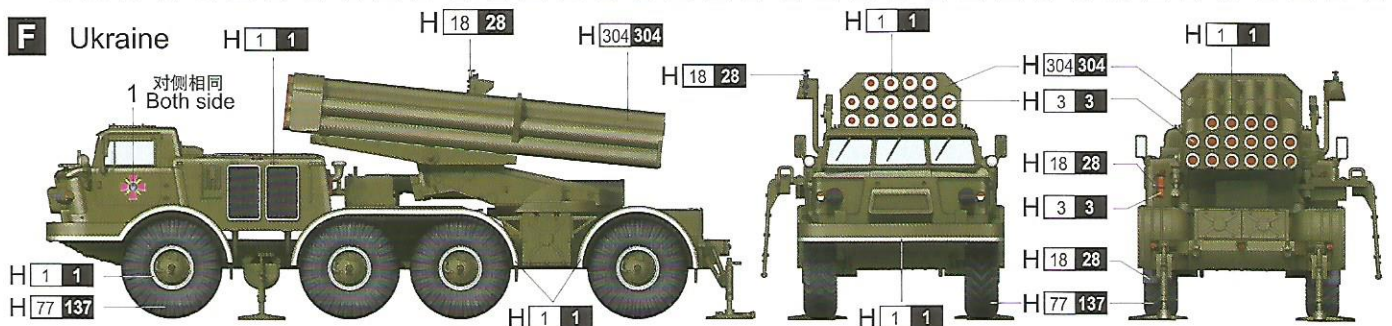
D Afghanistan



E Russia



F Ukraine



H AQUEOUS HOBBY COLOR Mr. COLOR N ACRYSION COLOR