

# BMD-4M Airborne Infantry Fighting Vehicle

## BMD-4M伞兵战车

**READ BEFORE ASSEMBLY:**

- Study and understand these instructions thoroughly before beginning assembly
- When needed, remove photo-etch parts carefully using a modeling knife or photo etch sprue cutter, being careful not to damage or lose small parts.
- Take extra care in handling photo etch parts in order to avoid injury
- Apply instant cement sparingly to photo etch parts where instructed
- Tools recommended(not included in kit):Plastic and instant cements, sprue cutters,long nose pliers,modeling knife, small files, tweezers, pin vise & scissors. Soft cloth and sandpaper will also assist in construction
- Glue and paint are not included in the kit. Use plastic cement and hobby paints only. Color guide for purchasing paint is included in the kit.

**装配之前仔细阅读**

- 小心用模型锉刀锉平所有零件表面的注射浇口。
- 小心用刀片切下蚀刻片零件，不要遗失小零件。
- 用强力快干胶水粘合蚀刻片零件和金属轴。过量快干胶水使用可能导致可动零件会粘住，小心涂胶。
- 取蚀刻片时应特别注意安全，防止利边划伤手指。
- 某些零件表面需贴水上贴纸，请选择在装配的同时进行。
- 推荐模型工具(自备)：胶水，水口剪刀，长咀钳，刀片，锉刀，镊子，钳，钻，剪刀，瞬间快干胶。
- 软布同砂纸同时也是所需工具。
- 请使用塑料胶水和油漆，模型内不舍。



**水贴纸的使用:**

- 1.从水贴纸上剪下印花;
- 2.将印花放入温水中浸10秒, 然后放在干净布上。
- 3.拿着印花纸板将印花移到模型上;
- 4.手指蘸水将印花移到适当的位置;
- 5.用软布轻压印花直至水干, 气泡消失

**DECAL APPLICATION**

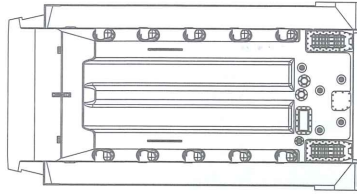
- 1.Cut decals from sheet as needed
- 2.Dip the decal in warm water for about 10 seconds and then place on soft clean cloth.
- 3.Hold the decal backing sheet edge and gently slide the decal onto the model in its proper position.

- 4.While still wet,decal can be adjusted for better fit on model by dampening it gently with your finger.
- 5.When placed in the proper position,gently press decal down with a soft cloth until excess water and air bubbles are gone.
- 6.Allow decal to dry completely before handling model

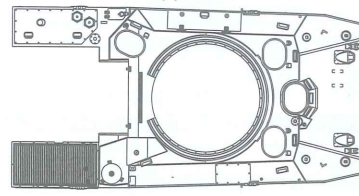
\* 说明书中含有重要信息，应保留。 Please Keep instruction since it contains important information.

部品图  
Parts

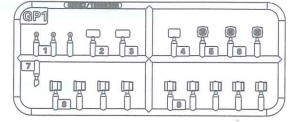
《车底》  
Lower hull



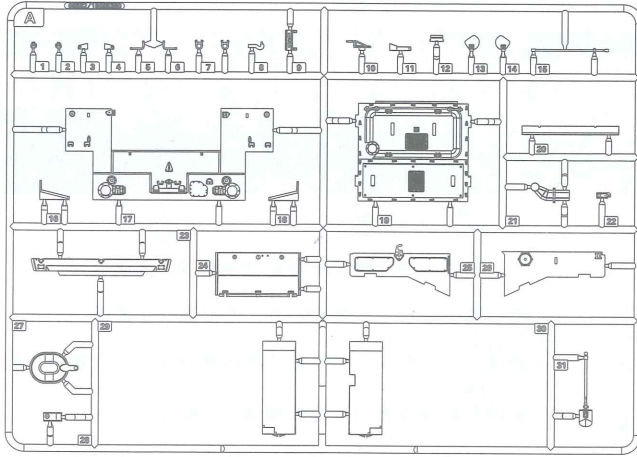
《车面》  
Upper hull



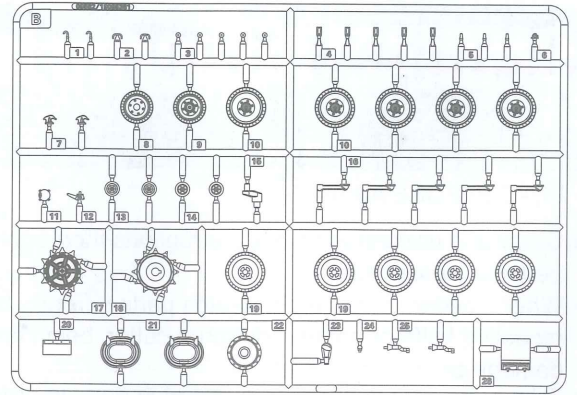
GP1



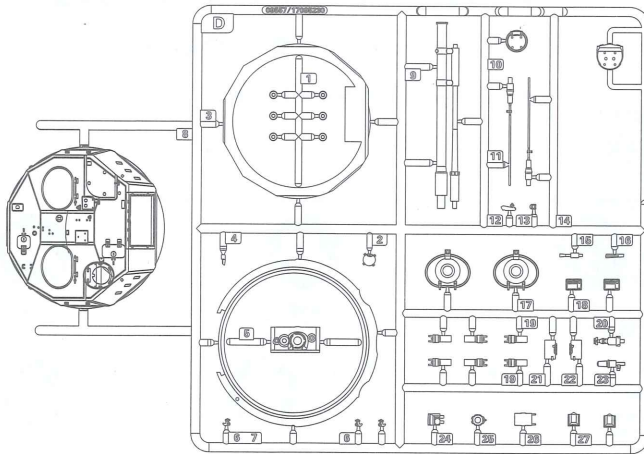
A



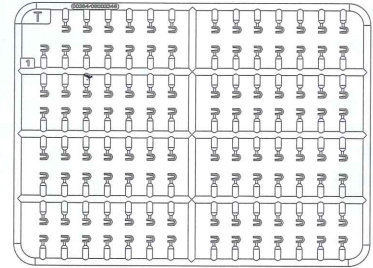
Bx2



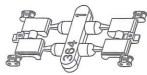
D



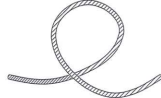
Tx2



《履带》x80 粒  
Track



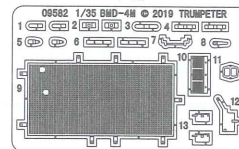
《铜缆1》  
Brass wire



《铜缆2》x2  
Brass wire



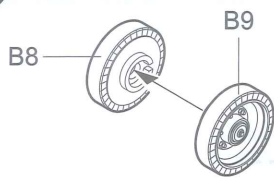
《蚀刻片》  
PE



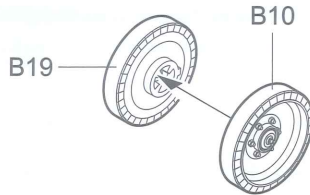
《水贴》  
Decal



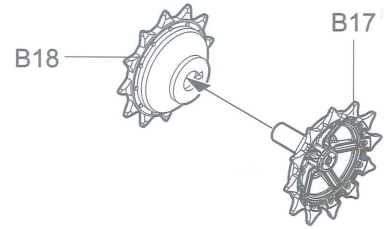
1



《诱导轮》  
Idler wheel  
制作2组  
Make two

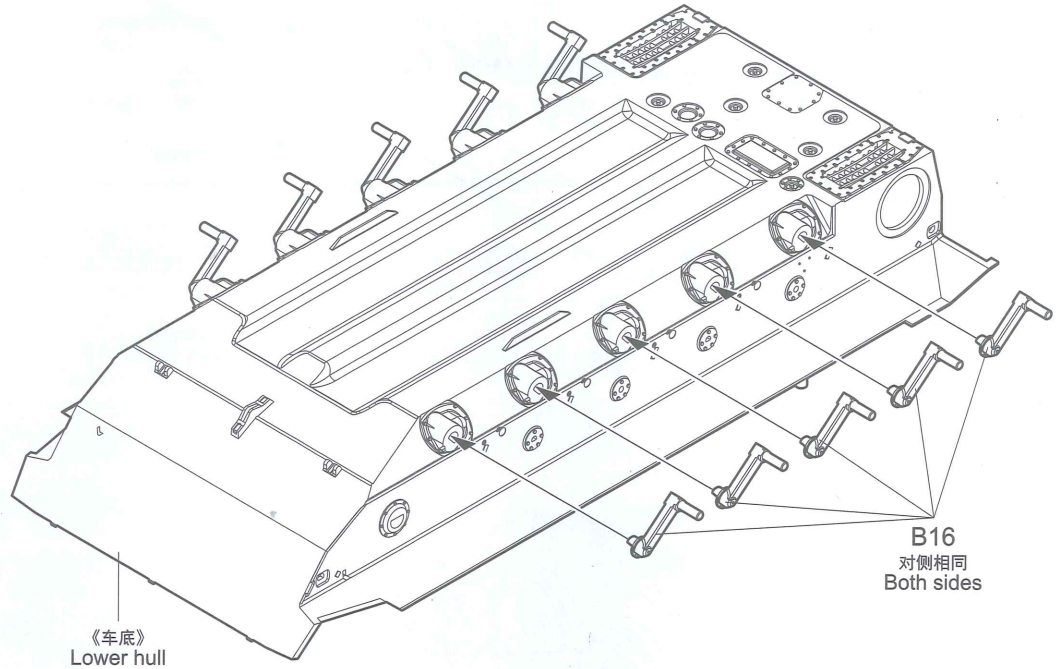


《负重轮》  
Road wheel  
制作10组  
Make ten



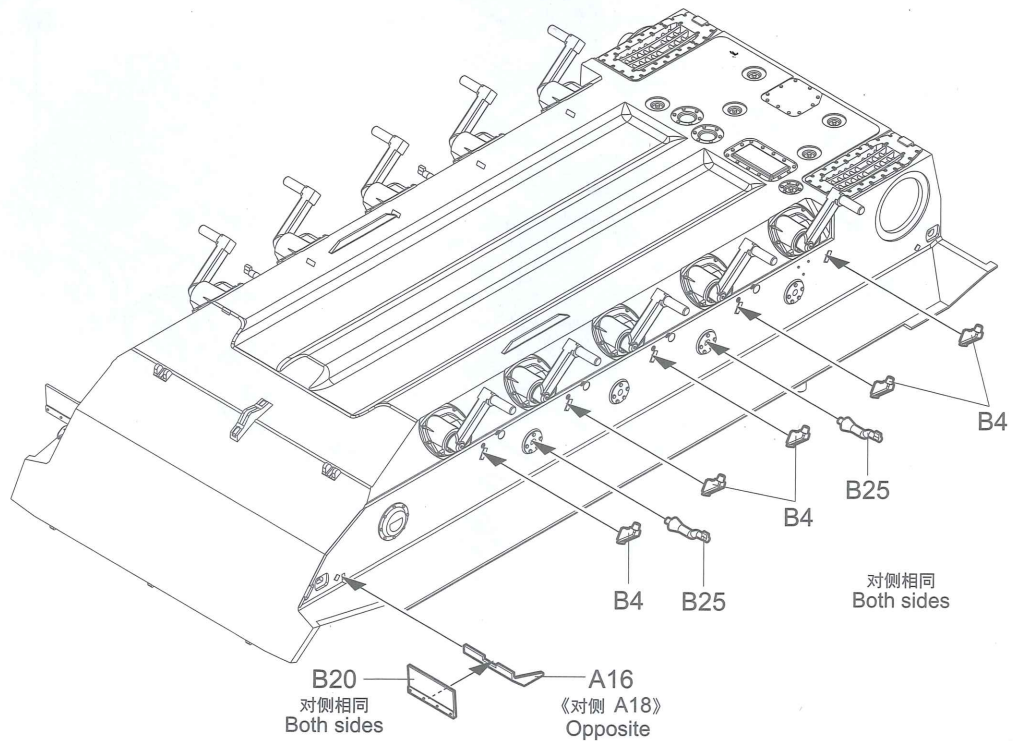
《主动轮》  
Sprocket wheel  
制作2组  
Make two

2



《车底》  
Lower hull

B16  
对侧相同  
Both sides

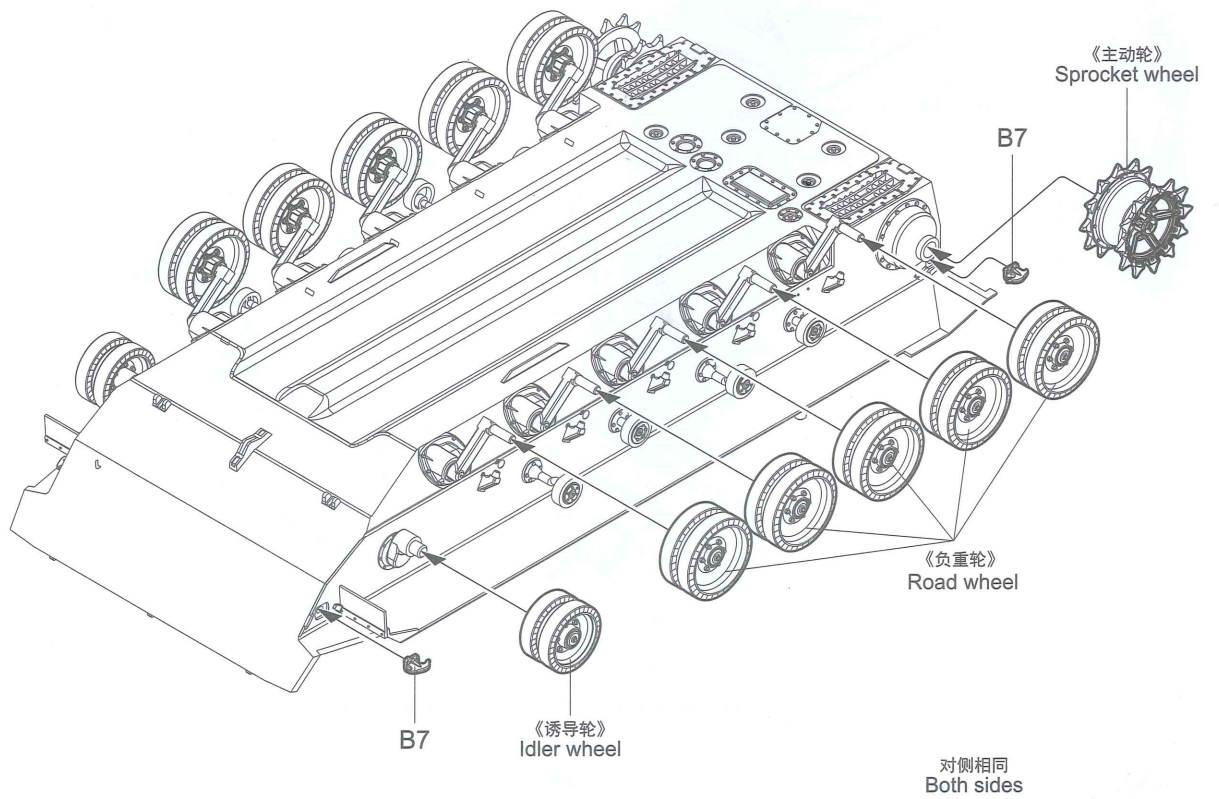
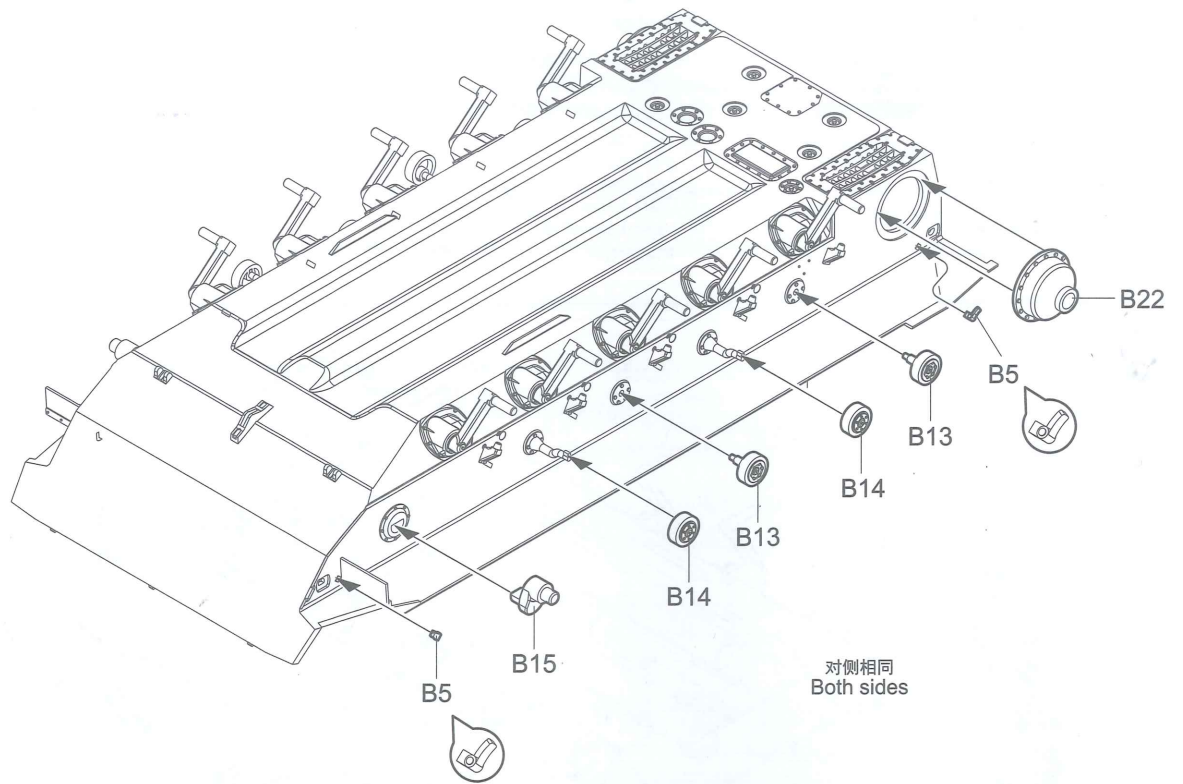


对侧相同  
Both sides

B20  
对侧相同  
Both sides

A16  
《对侧 A18》  
Opposite

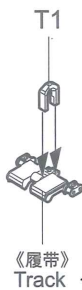
3



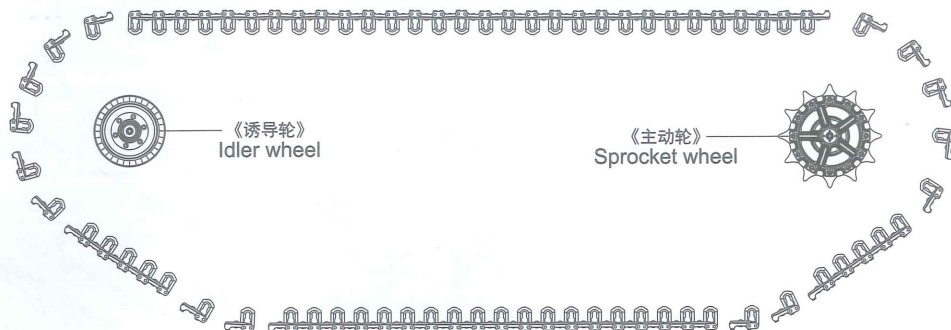
4

履带联接  
Track construction

单侧履带需74节  
Complete track for one side requires 74 links



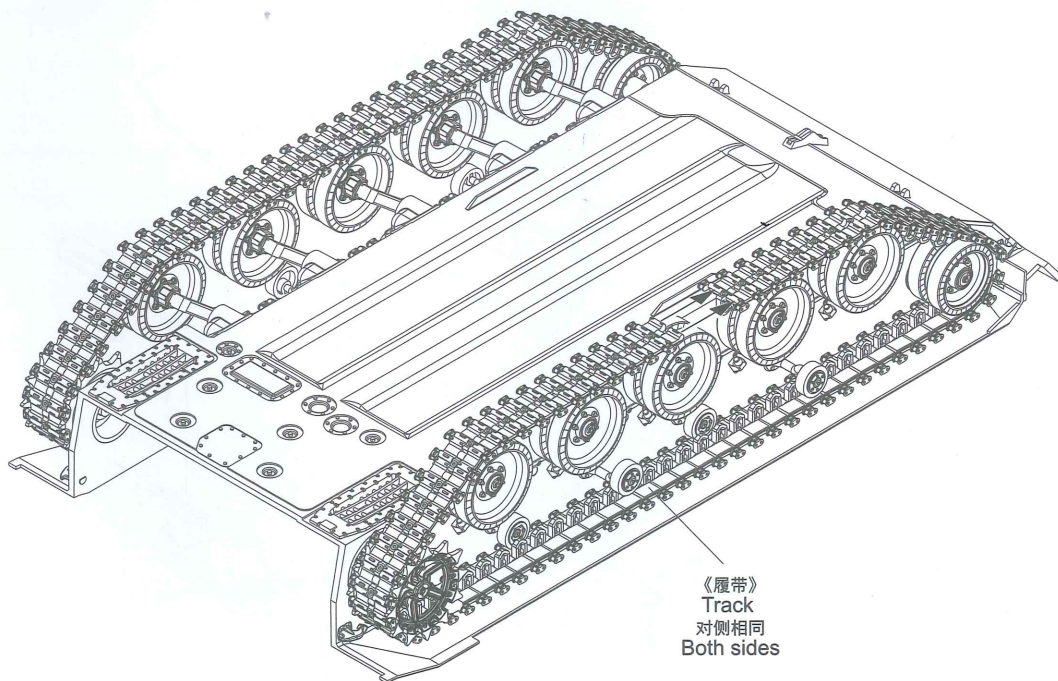
制作148组  
Make 148



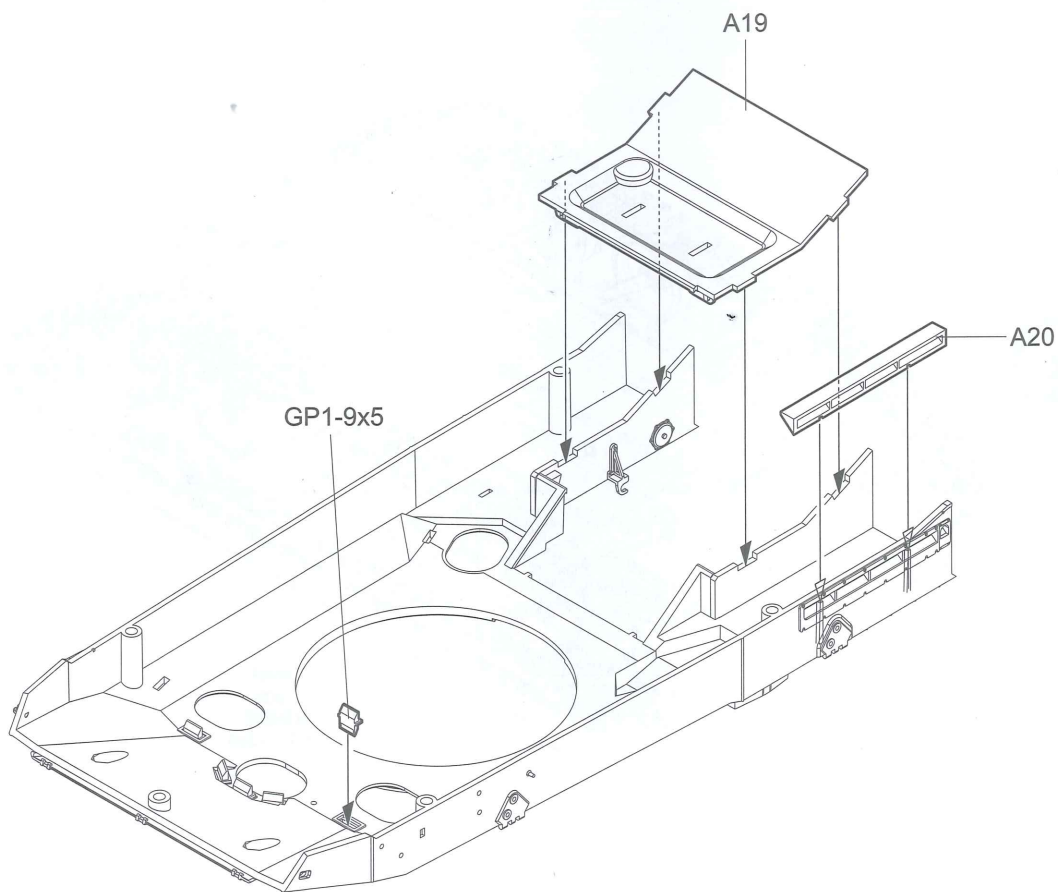
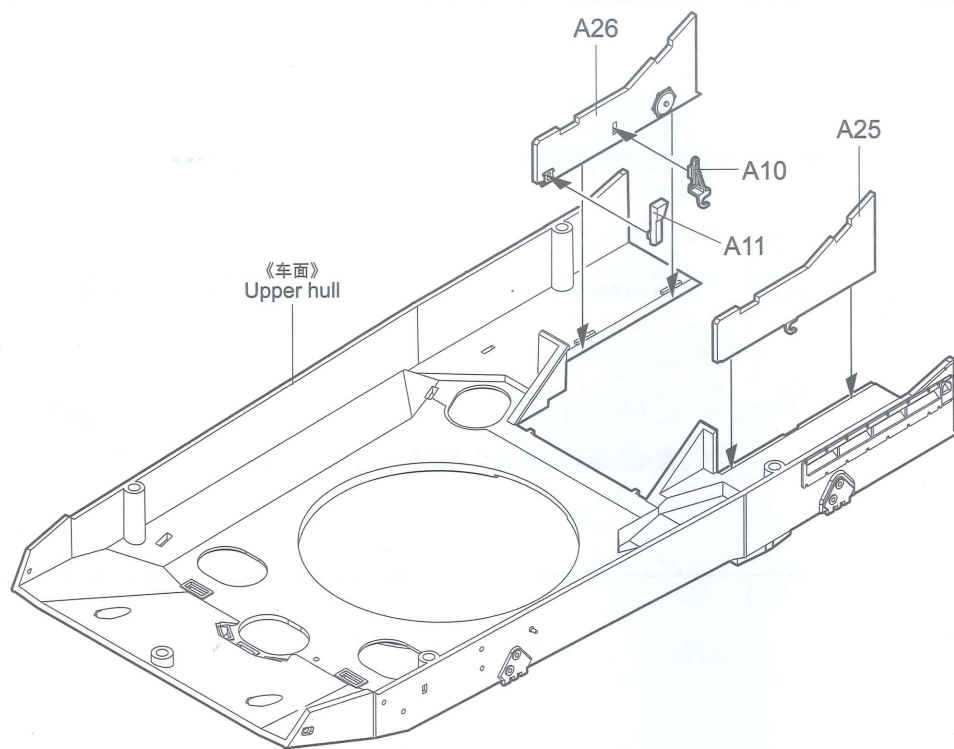
制作2组  
Make two

5

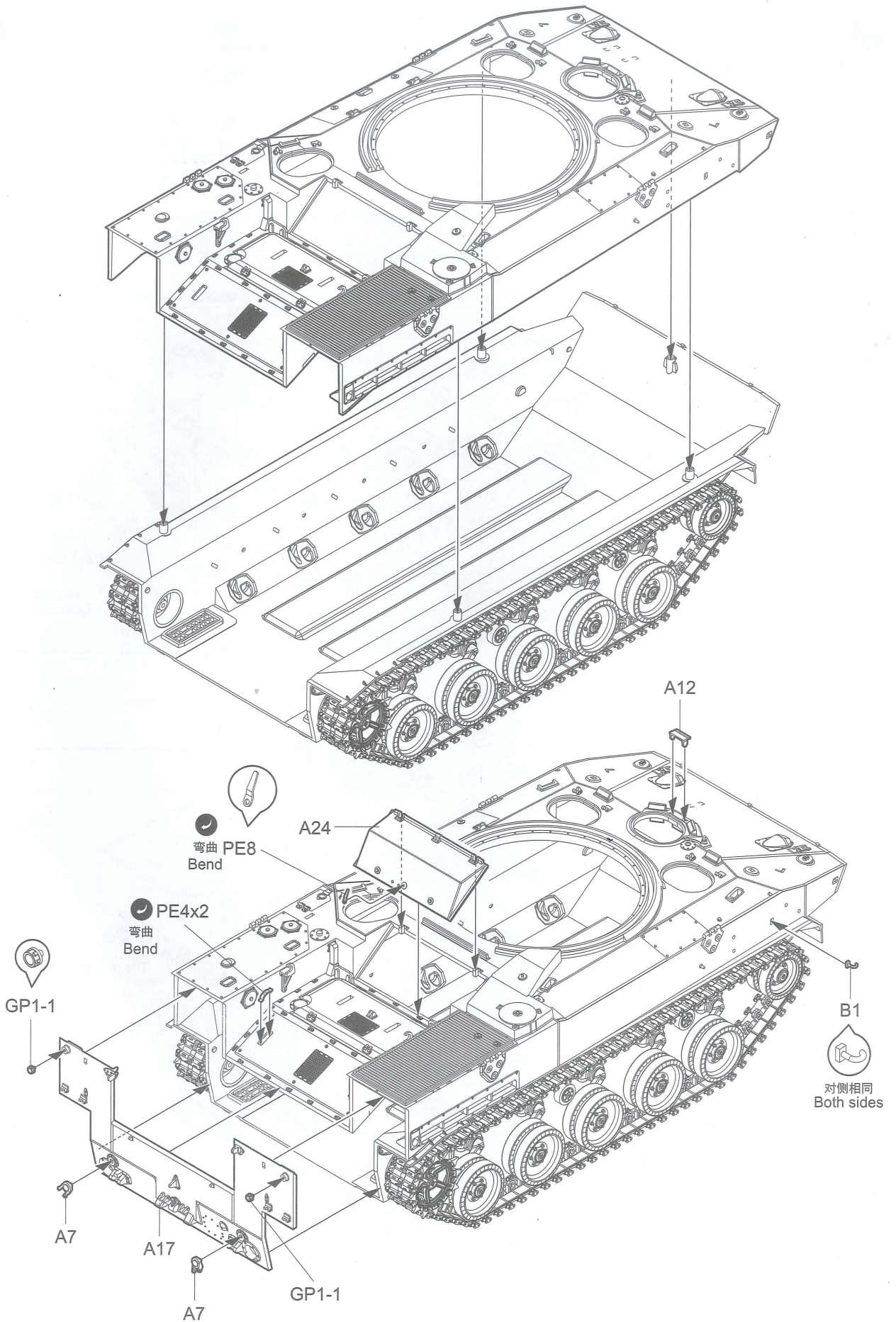
履带联接  
Track construction

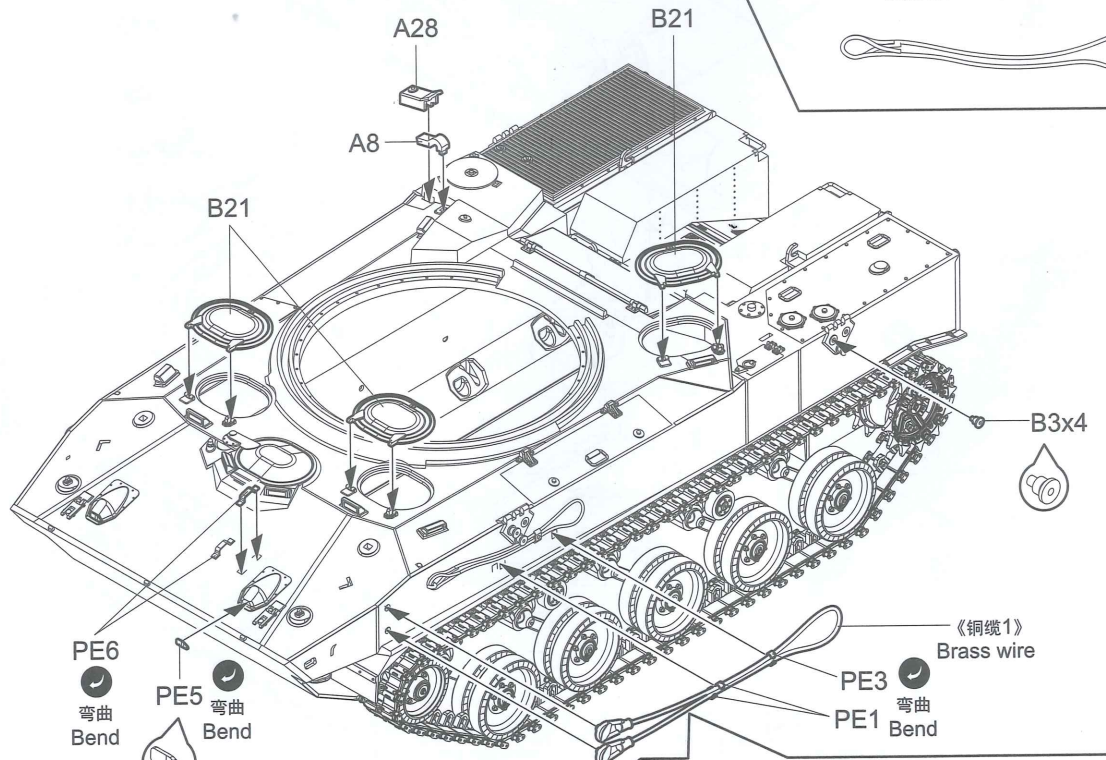
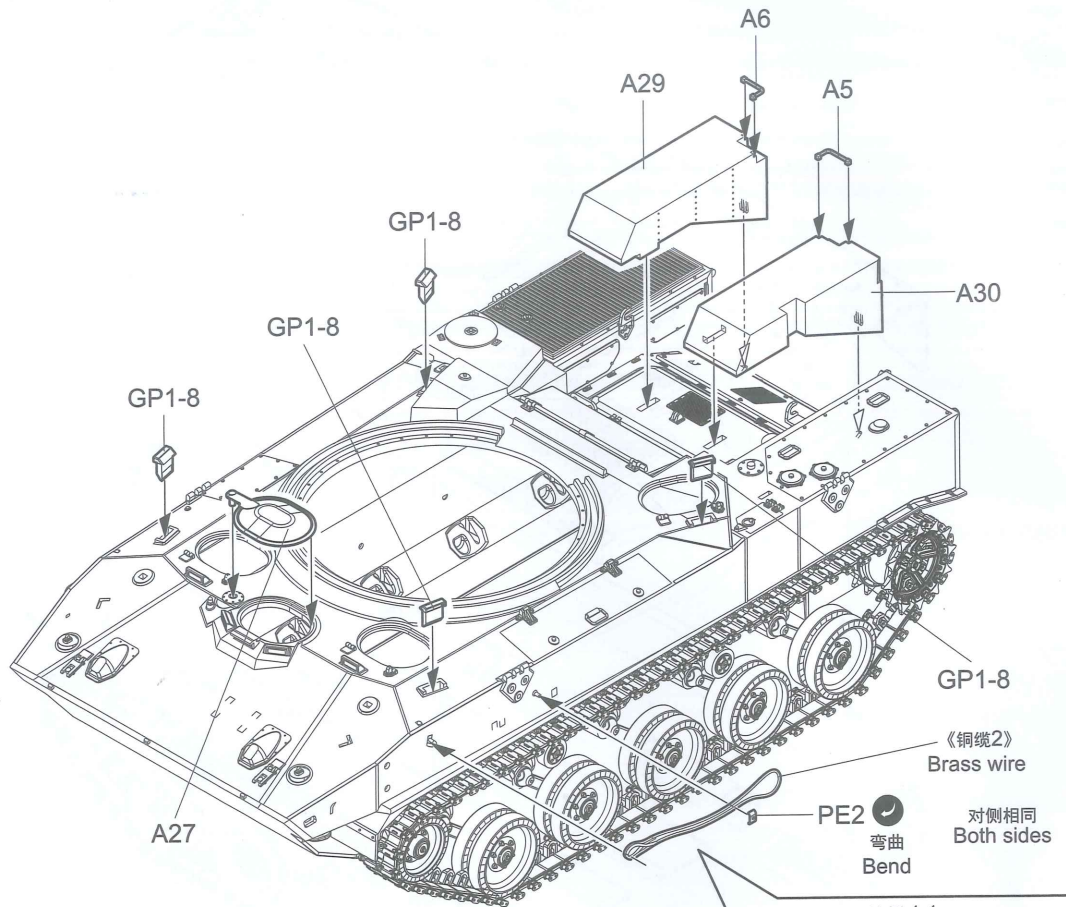


6

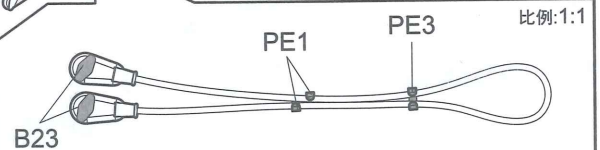


7

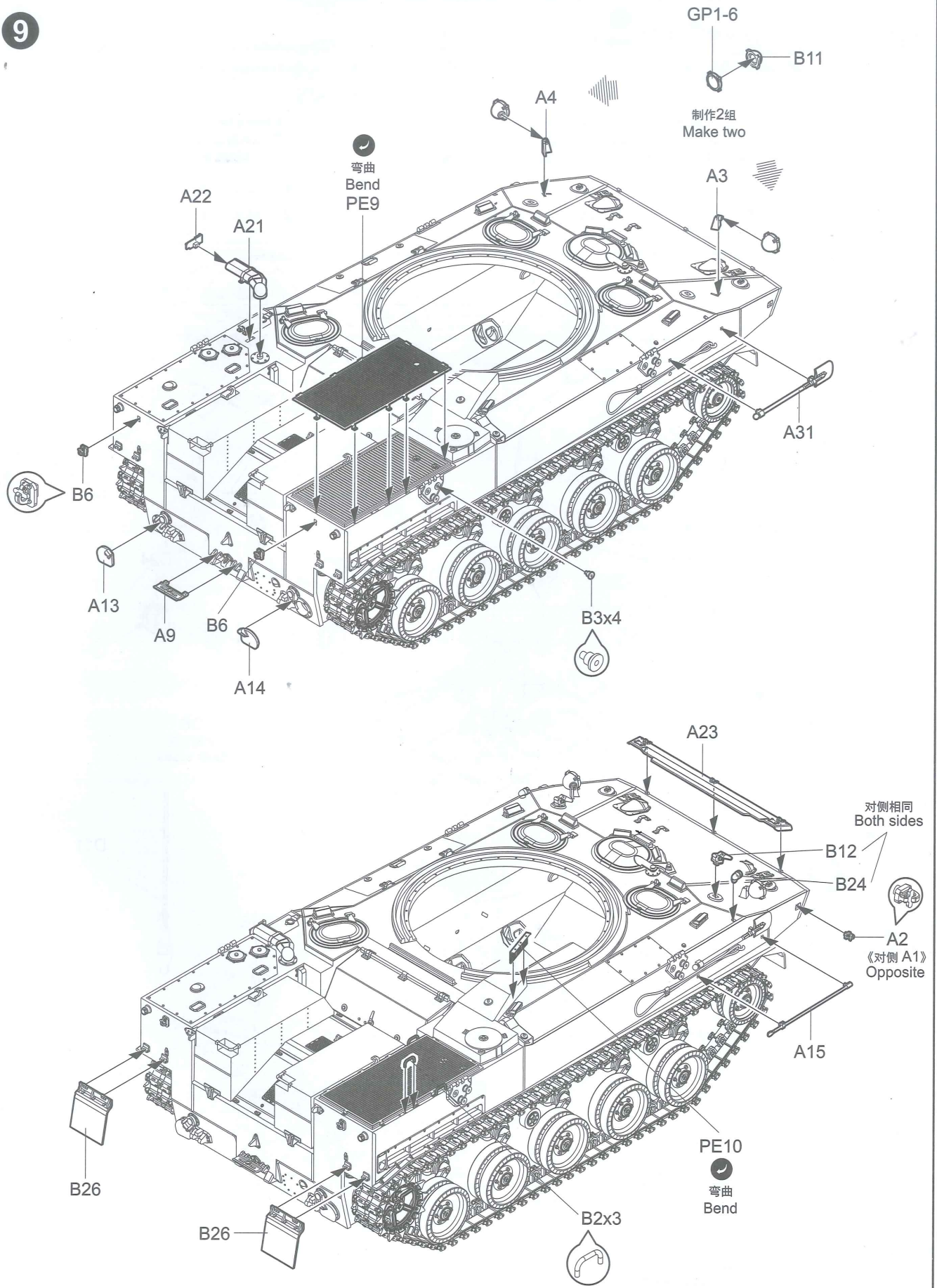




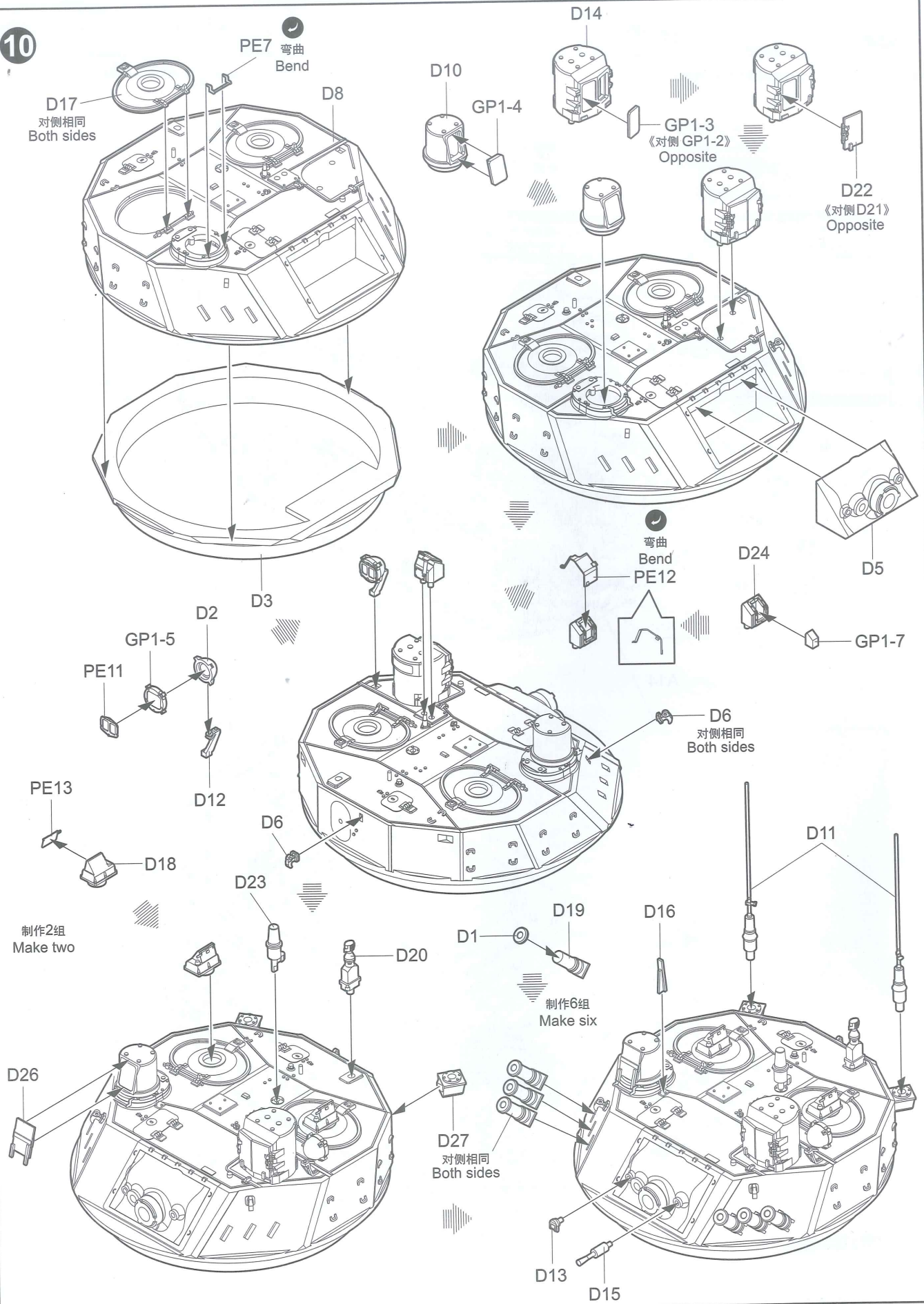
对侧相同  
Both sides



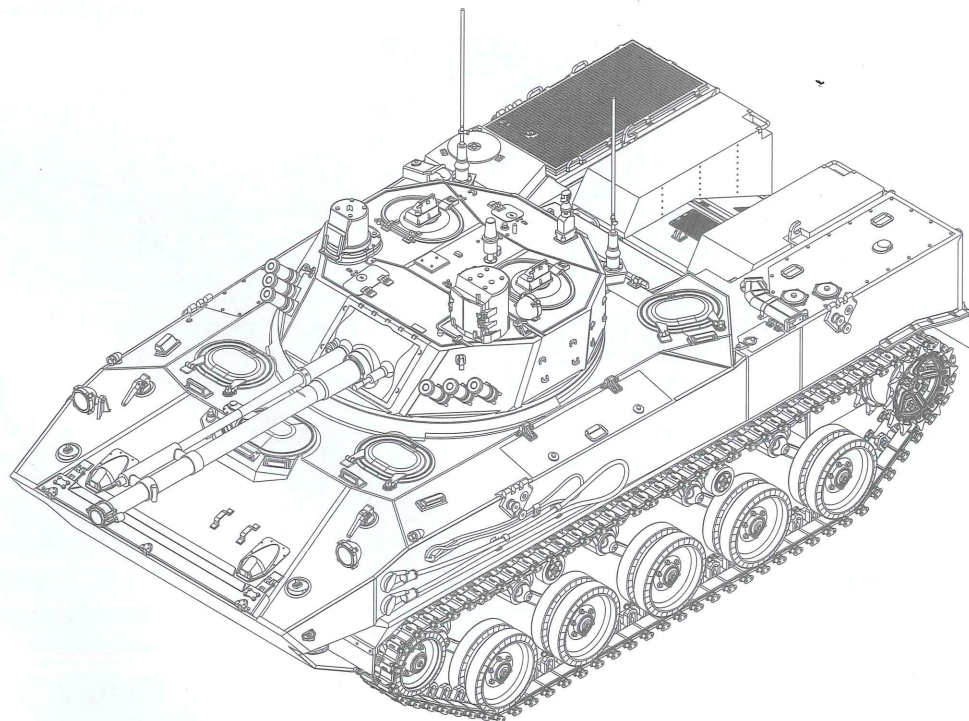
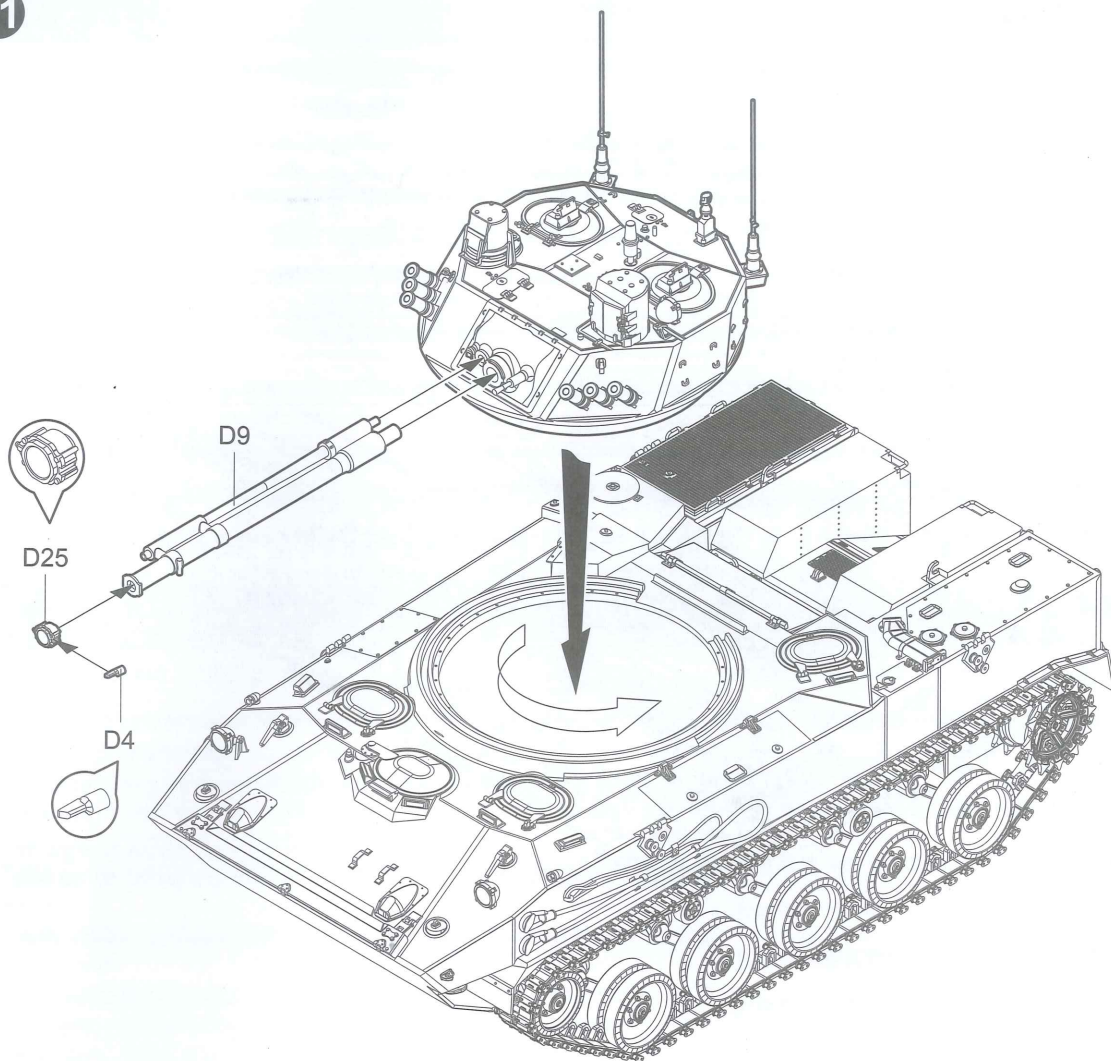
9

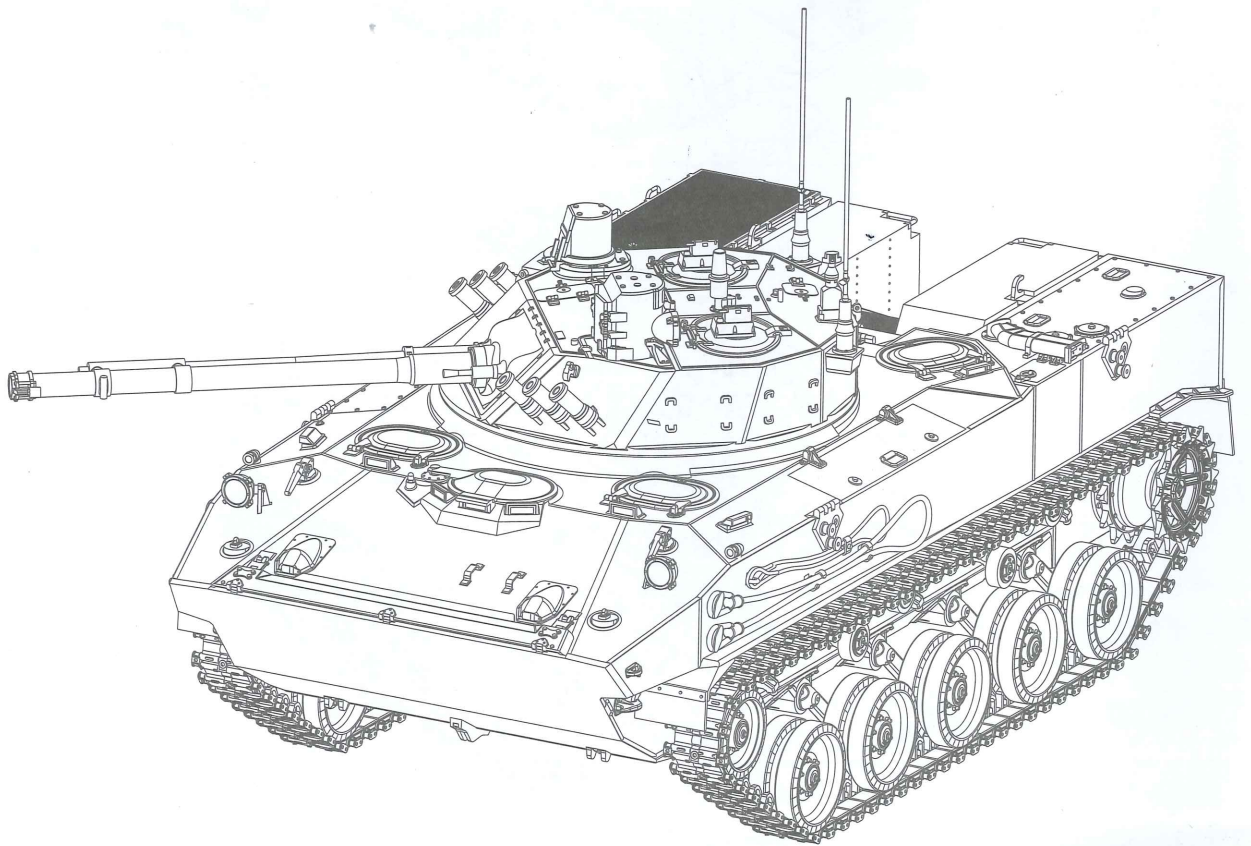
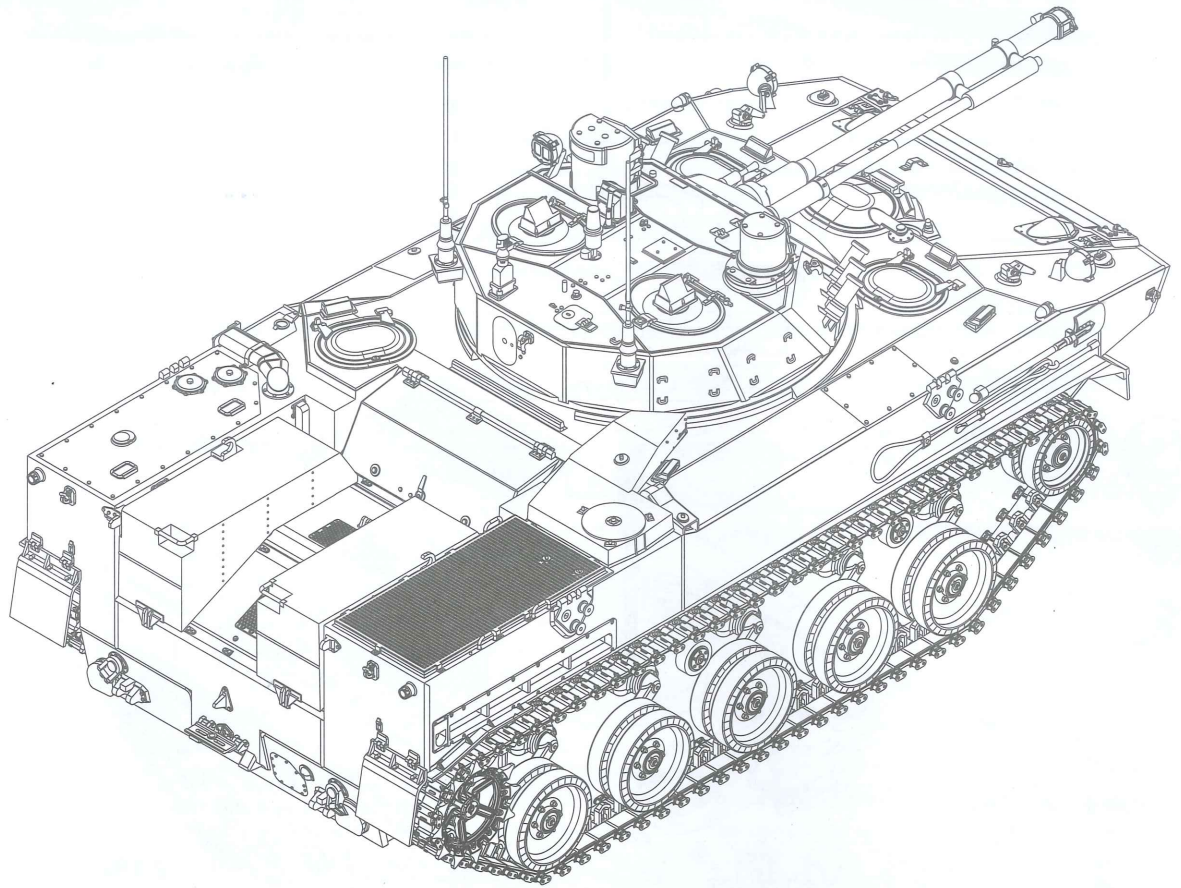


10



11





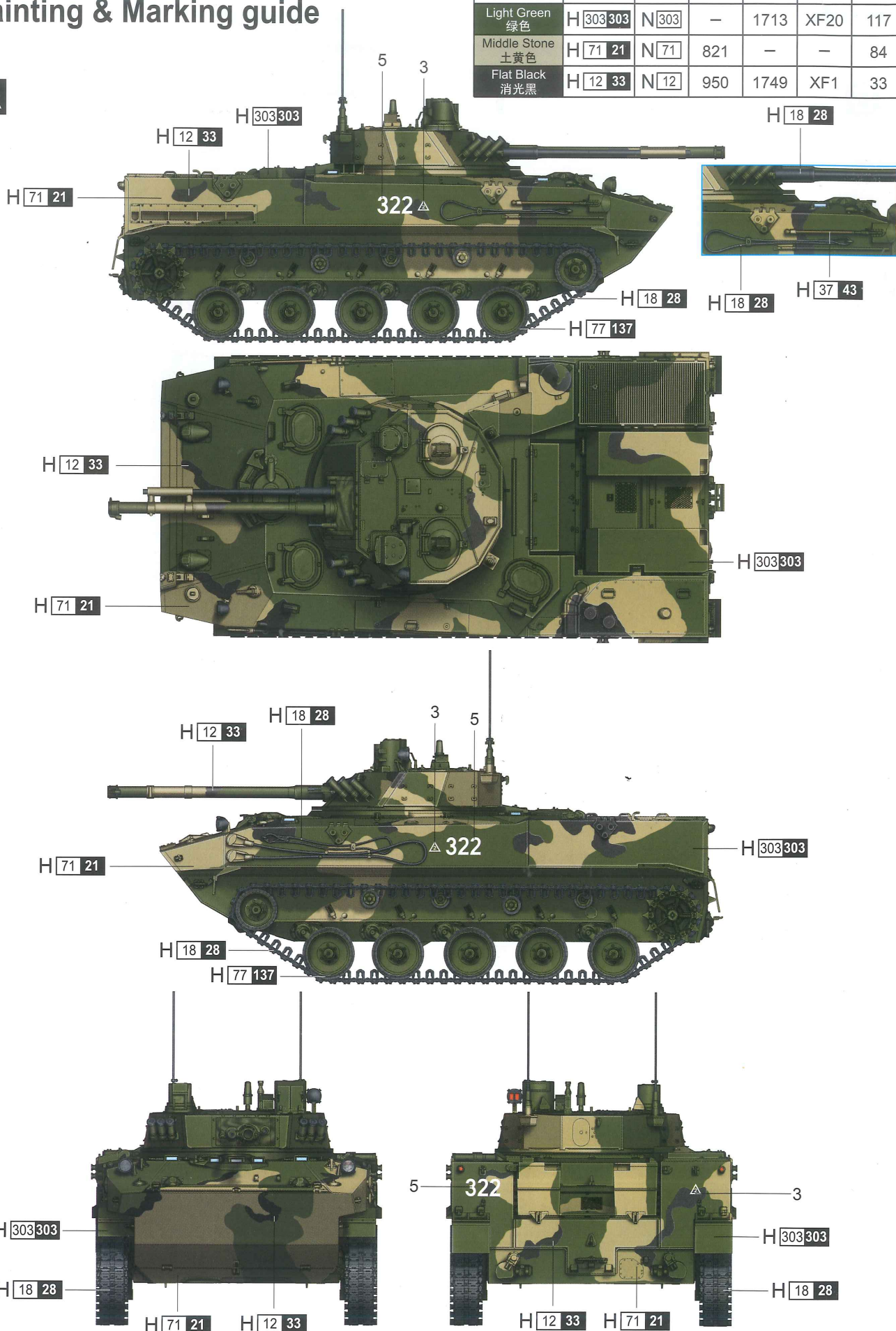
# 涂装同标贴指示

## Painting & Marking guide

### PAINT REFERENCE COLOR

Color	Mr.Hobby	Acrycion	Vallejo	Model Master	Tamiya	Humbrol
Light Green 绿色	H 303 303	N 303	—	1713	XF20	117
Middle Stone 土黄色	H 71 21	N 71	821	—	—	84
Flat Black 消光黑	H 12 33	N 12	950	1749	XF1	33

**A**

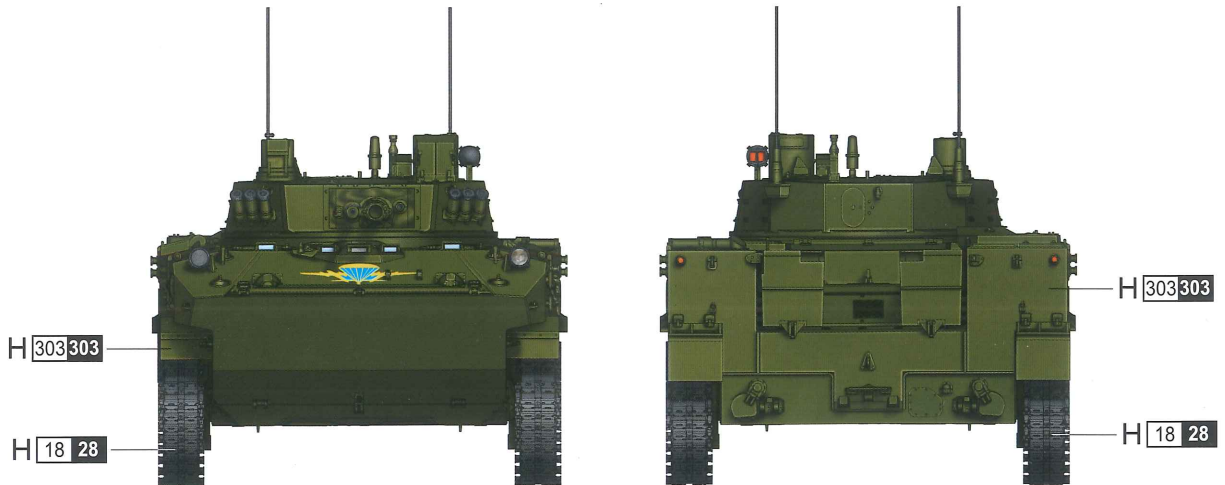
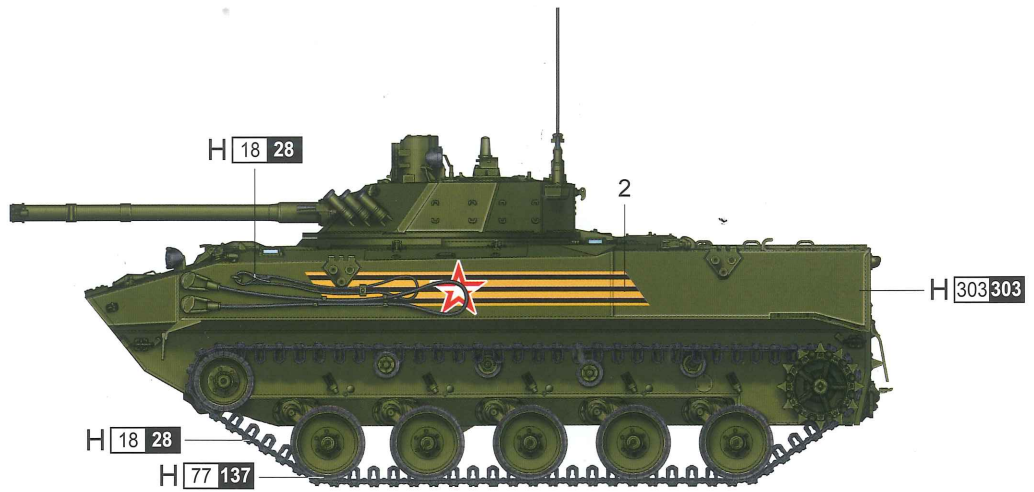
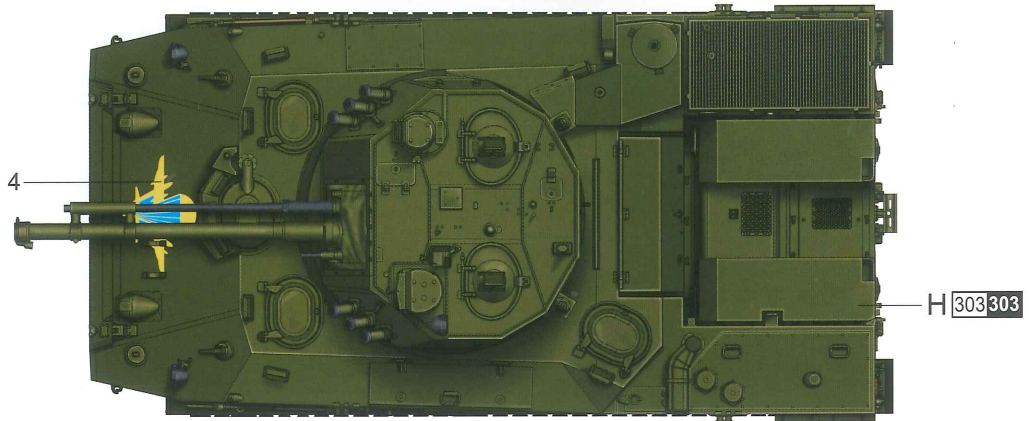


# 涂装同标贴指示 Painting & Marking guide

## PAINT REFERENCE COLOR

Color	Mr.Hobby	Acrycion	Vallejo	Model Master	Tamiya	Humbrol
Wood Brown 木棕色	H 37 43	N 37	983	1701	—	186
Tire Black 胎黑色	H 77 137	N 77	—	—	XF85	—
Steel 黑铁色	H 18 28	N 18	864	1402	XF84	—

**B**



H  AQUEOUS HOBBY COLOR     Mr. COLOR    N  ACRYSION COLOR