

Soviet BTR-152V1 APC

苏联BTR-152V1装甲人员输送车

READ BEFORE ASSEMBLY:

- Study and understand these instructions thoroughly before beginning assembly
- When needed, remove photo-etch parts carefully using a modeling knife or photo etch sprue cutter, being careful not to damage or lose small parts.
- Take extra care in handling photo etch parts in order to avoid injury
- Apply instant cement sparingly to photo etch parts where instructed
- Tools recommended(not included in kit):Plastic and instant cements, sprue cutters,long nose pliers,modeling knife, small files, tweezers, pin vise & scissors. Soft cloth and sandpaper will also assist in construction
- Glue and paint are not included in the kit. Use plastic cement and hobby paints only. Color guide for purchasing paint is included in the kit.

装配之前仔细阅读

- 小心用模型锉刀锉平所有零件表面的注射浇口。
- 小心用刀片切下蚀刻片零件，不要遗失小零件。
- 用强力快干胶水粘合蚀刻片零件和金属轴。过量快干胶水使用可能导致可动零件会粘住，小心涂胶。
- 取蚀刻片时应特别注意安全，防止利边划伤手指。
- 某些零件表面需贴水上贴纸，请选择在装配的同时进行。
- 推荐模型工具(自备)：胶水，水口剪刀，长咀钳，刀片，锉刀，镊子，钳，钻，剪刀，瞬间快干胶。
- 软布同砂纸同时也应该是必备工具。
- 请使用塑料胶水和油漆，模型内不含。



配重
Weight



使用强力胶
Cyanoacrylate glue



钻孔
Make hole



切除
Cut / Remove



贴纸
Decal



锉平
File / Sand



选择
Option



不涂胶水
No cement



弯曲
Bend



先装
Install it first

水贴纸的使用:

- 1.从水贴上剪下印花;
- 2.将印花放入温水中浸10秒,然后放在干净布上。
- 3.拿着印花纸板将印花移到模型上;
- 4.手指蘸水将印花移到适当的位置;
- 5.用软布轻压印花直至水干, 气泡消失

DECAL APPLICATION

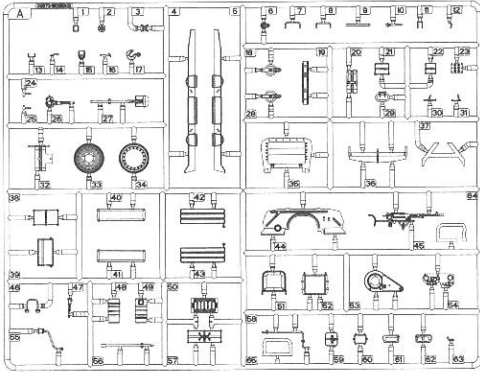
- 1.Cut decals from sheet as needed
- 2.Dip the decal in warm water for about 10 seconds and then place on soft clean cloth.
- 3.Hold the decal backing sheet edge and gently slide the decal onto the model in its proper position.

- 4.While still wet,decal can be adjusted for better fit on model by dampening it gently with your finger.
- 5.When placed in the proper position,gently press decal down with a soft cloth until excess water and air bubbles are gone.
- 6.Allow decal to dry completely before handling model

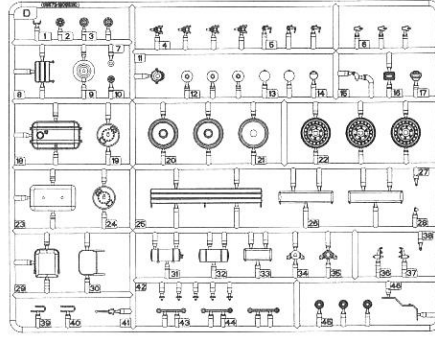
* 说明书中含有重要信息，应保留。 Please Keep instruction since it contains important information.

部品图
Parts

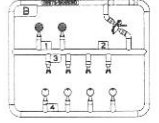
A



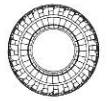
D x2



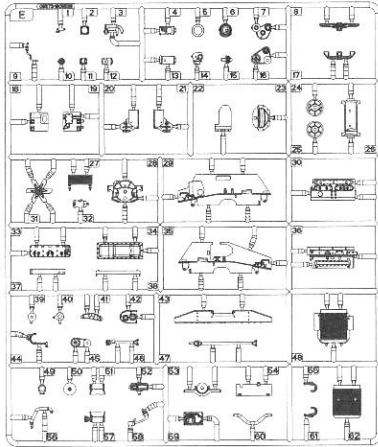
B x2



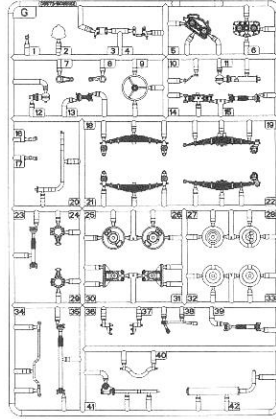
《轮胎》
Tyre x7



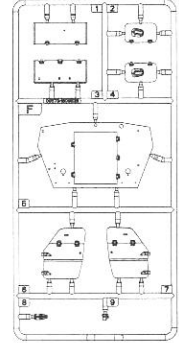
E



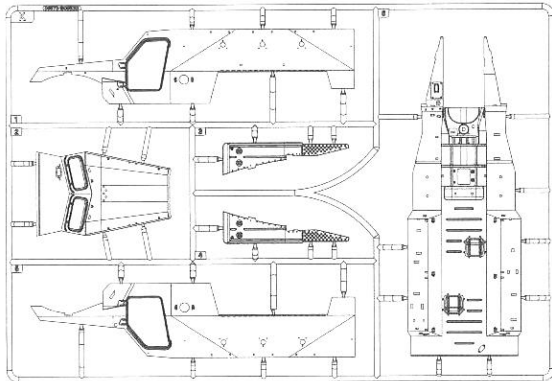
G



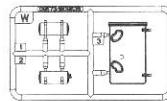
F



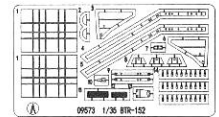
K



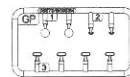
W



PE-A

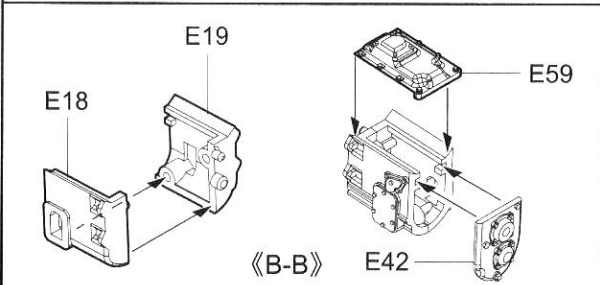
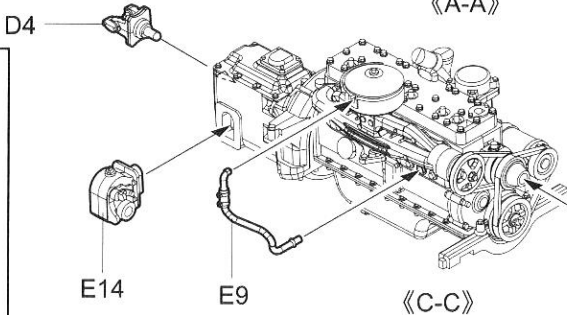
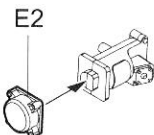
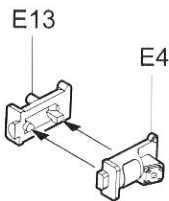
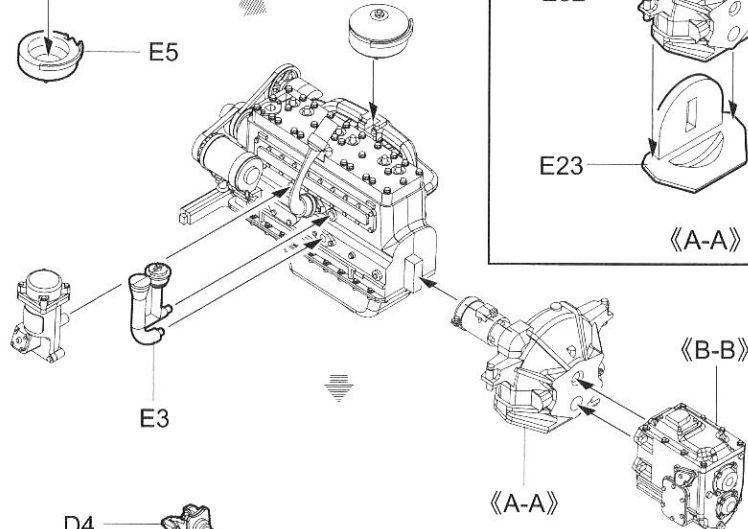
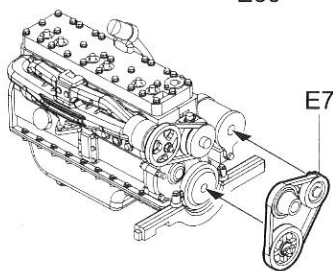
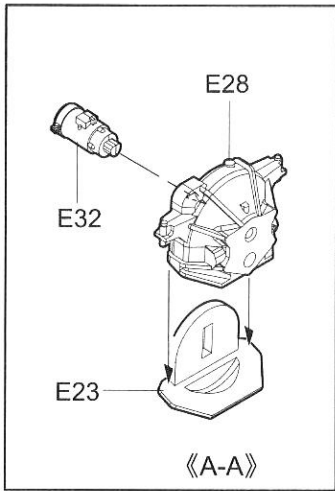
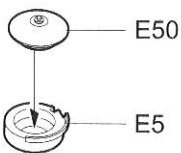
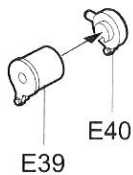
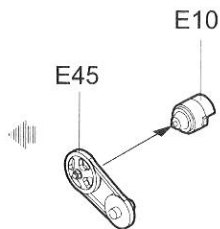
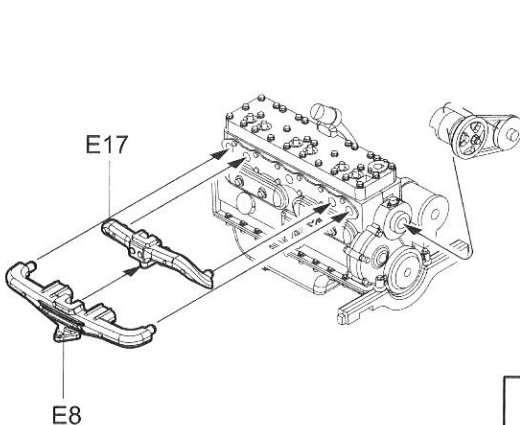
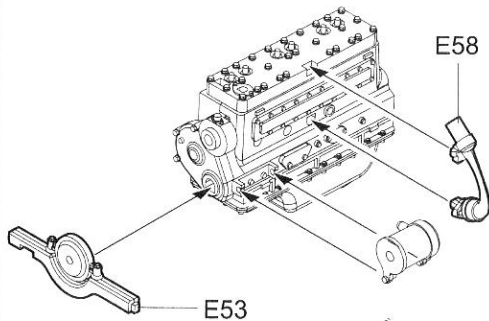
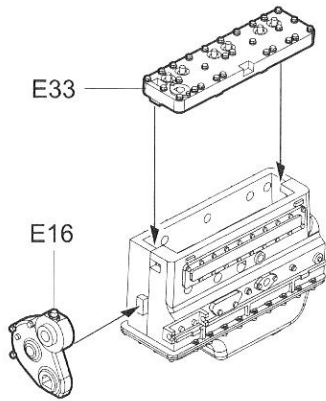
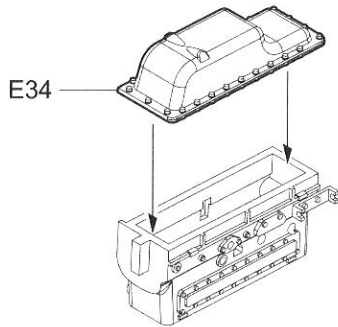
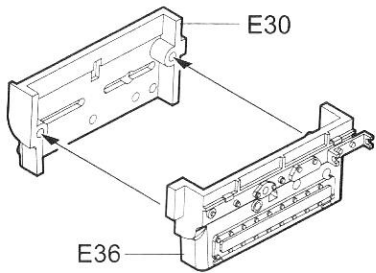


GP

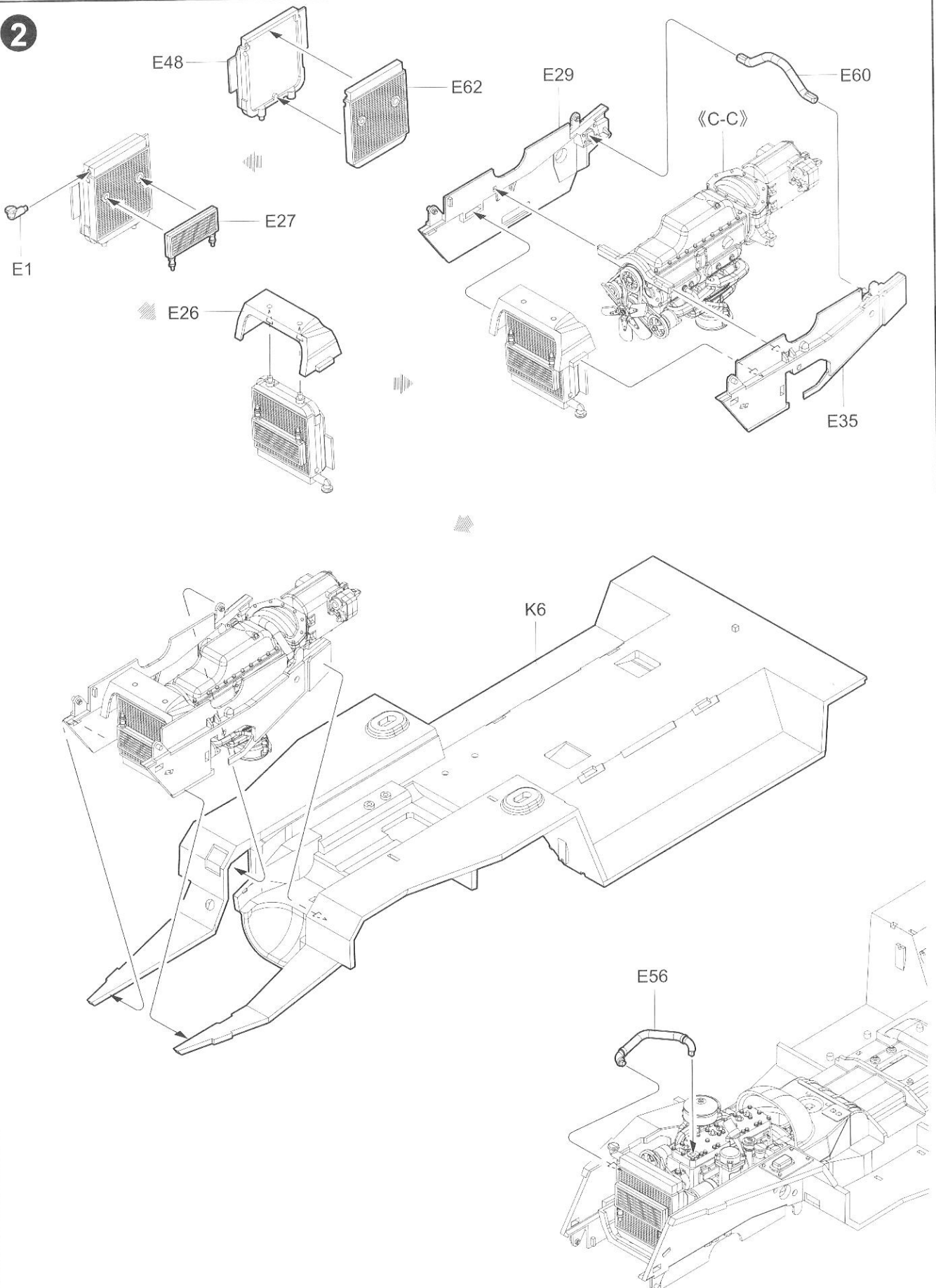


《水贴纸》
Decal

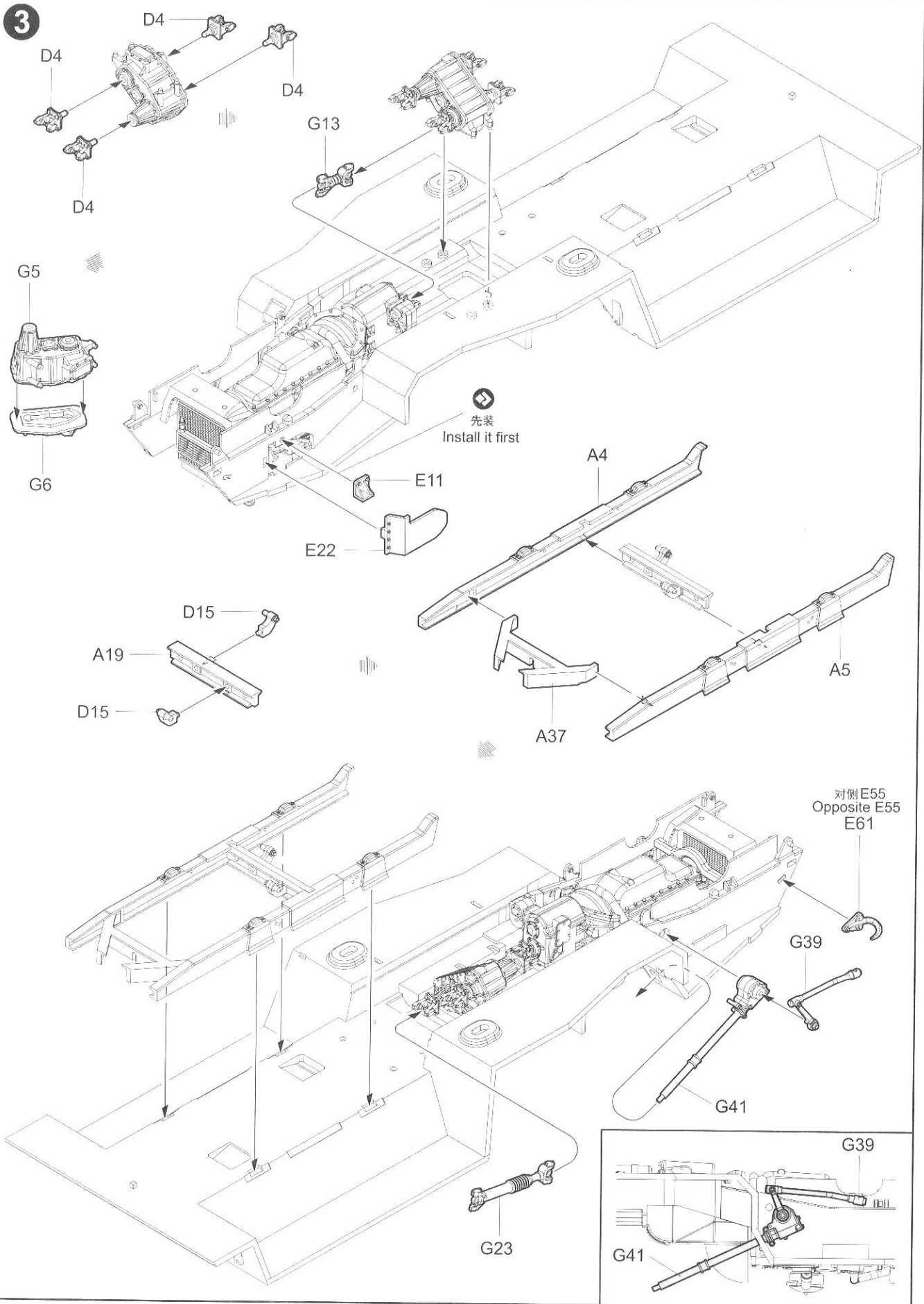
1



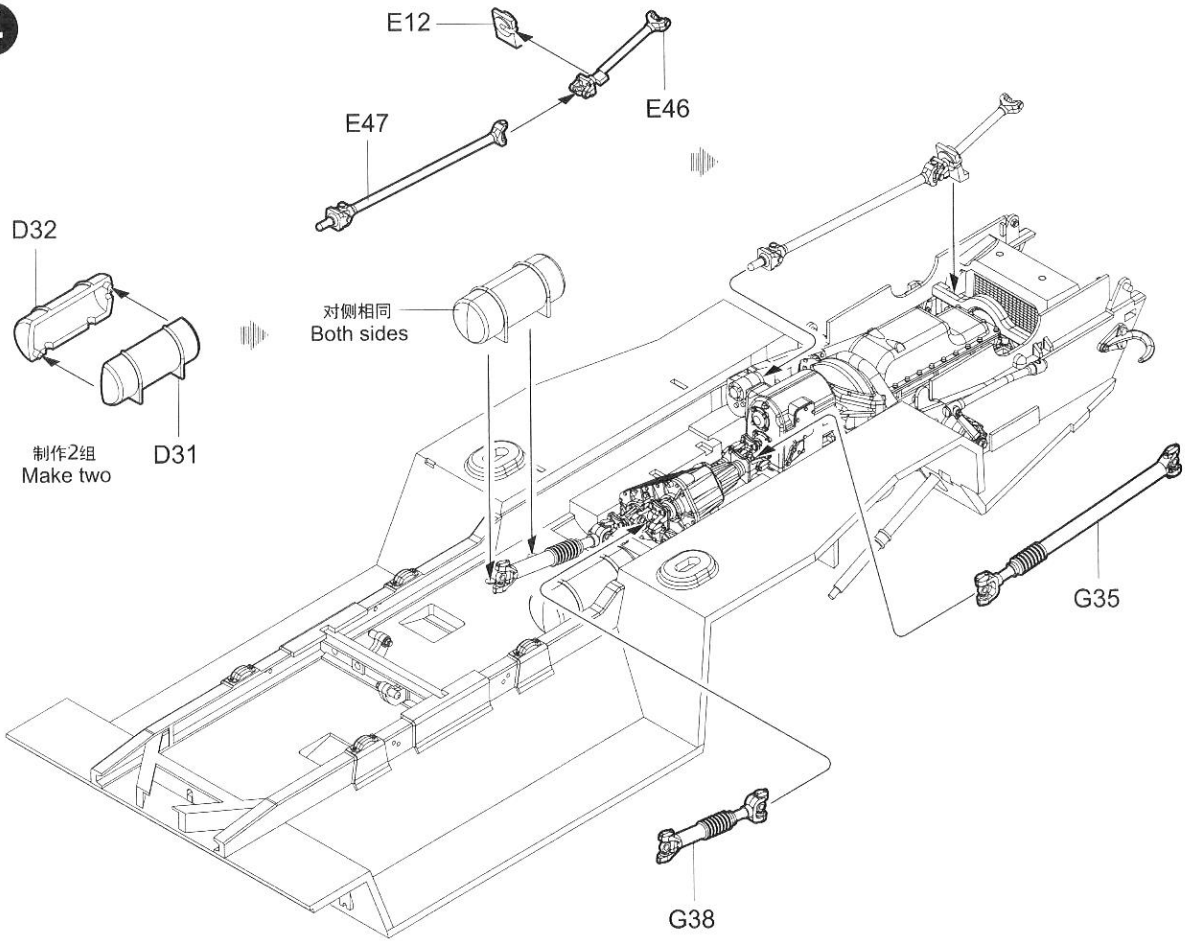
2



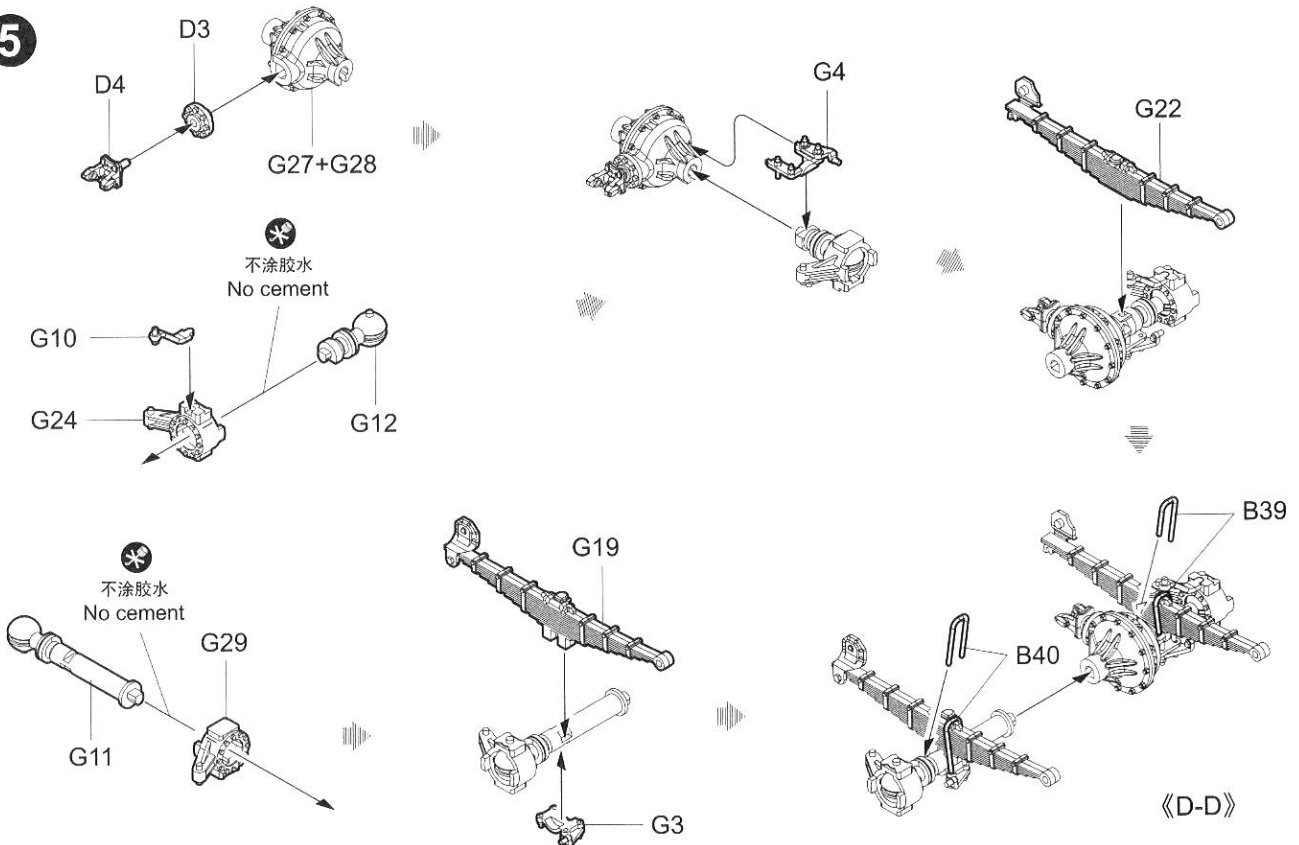
3



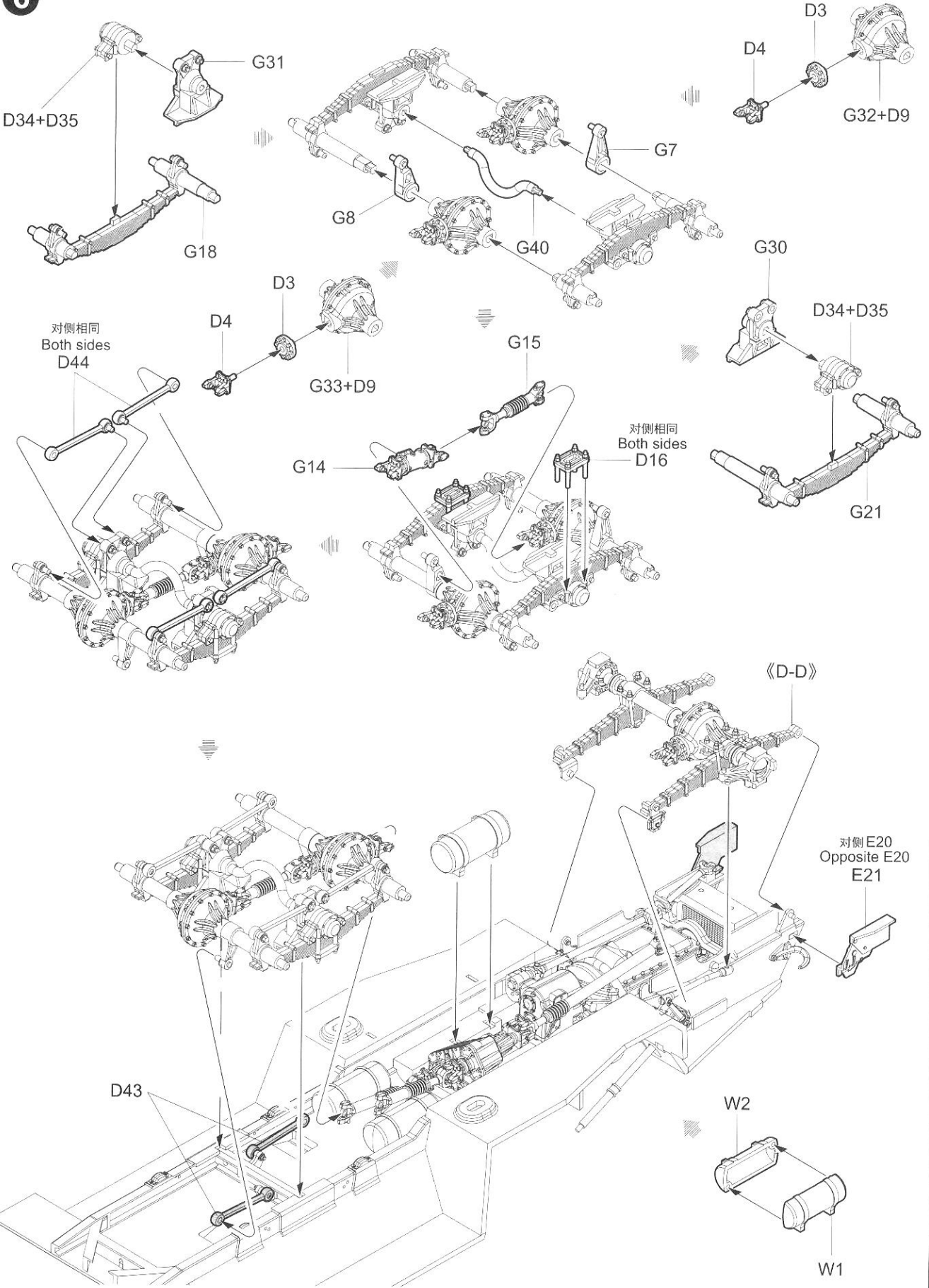
4

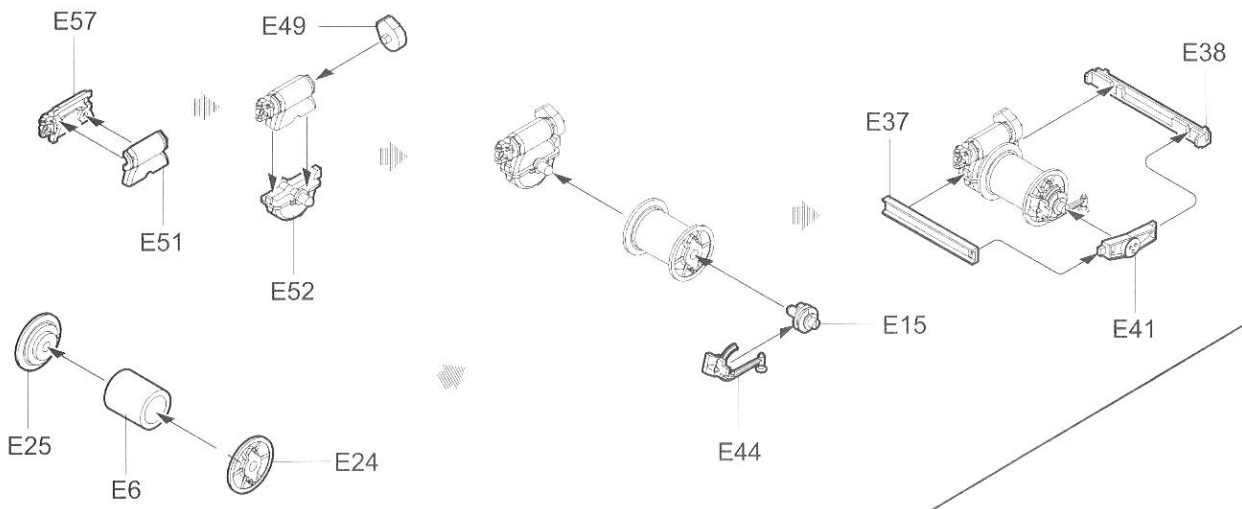


5

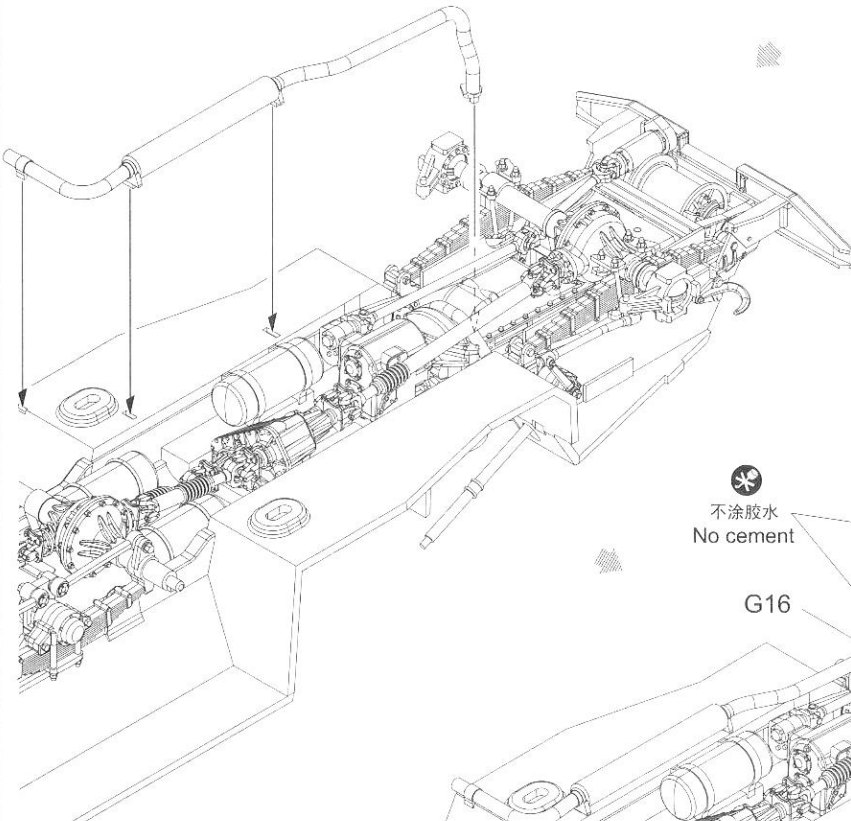
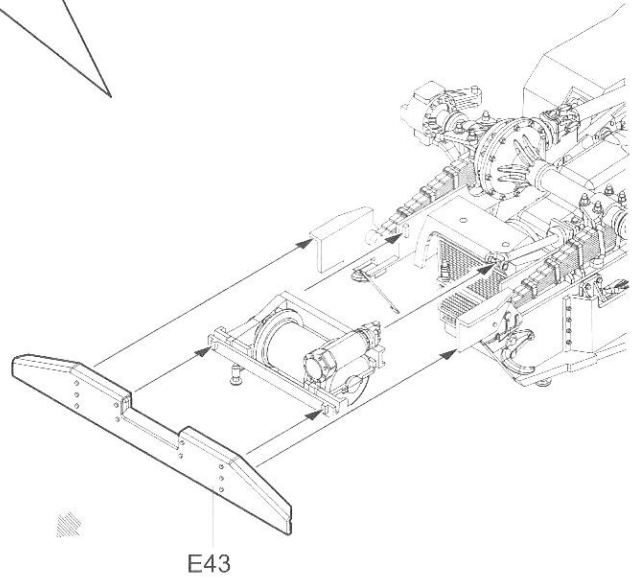
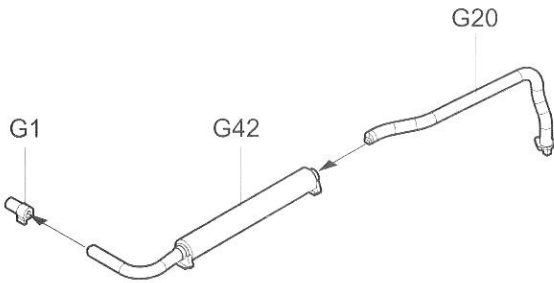


6





7



不涂胶水
No cement

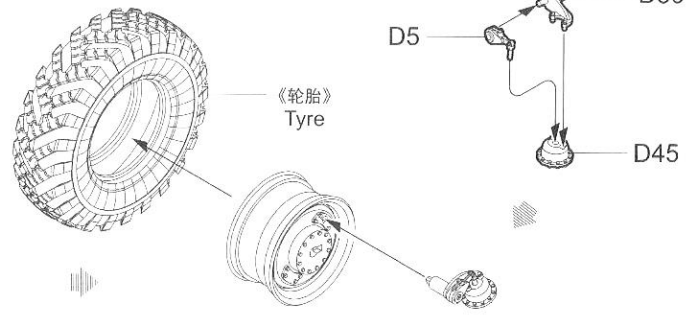
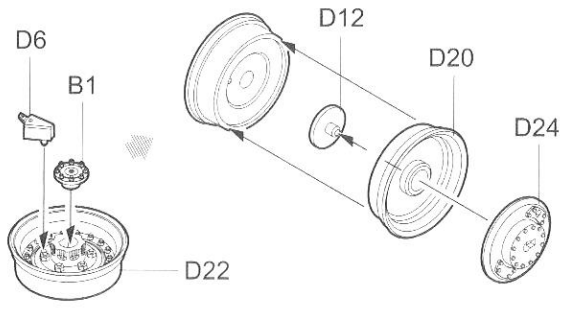
G16

G34

不涂胶水
No cement

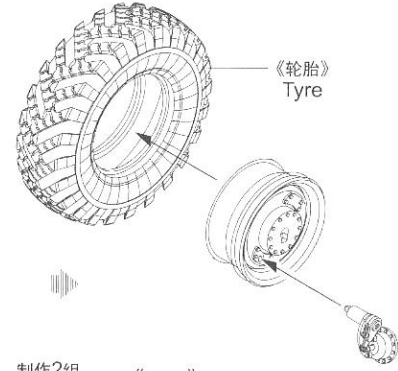
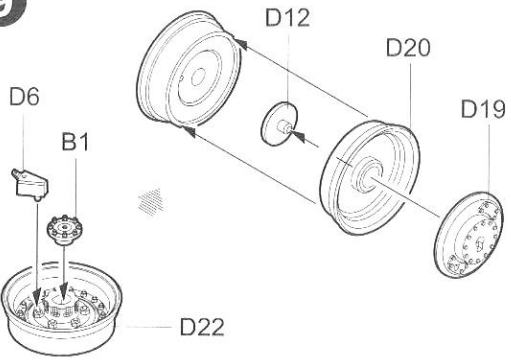
G17

8



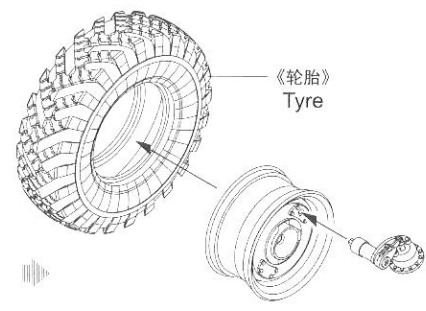
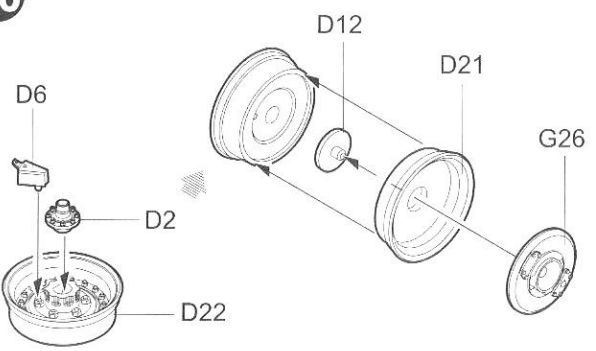
制作2组 Make two 《E-E》

9



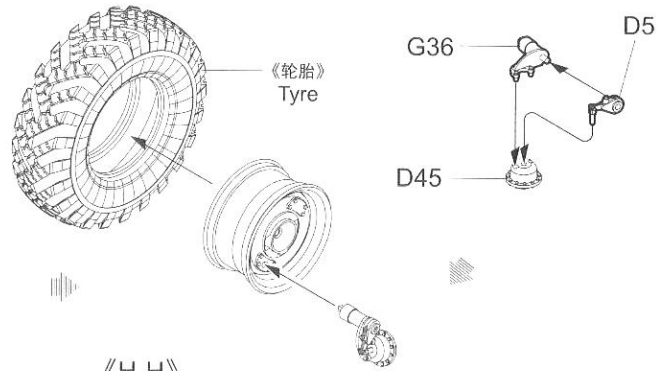
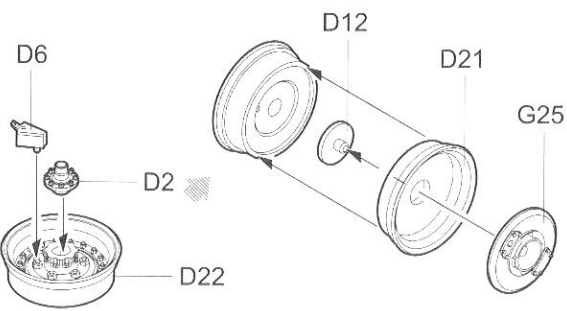
制作2组 Make two 《F-F》

10



《G-G》

11



《H-H》

A44

对侧《G-G》
Opposite《G-G》
《H-H》

A20

PE-A11

A30

对侧《E-E》
Opposite《E-E》
《F-F》

PE-A12

A31

对侧《F-F》
Opposite《F-F》
《E-E》

D41x2

A9

A16

A50

对侧相同
Both sides

A2

A22

A39

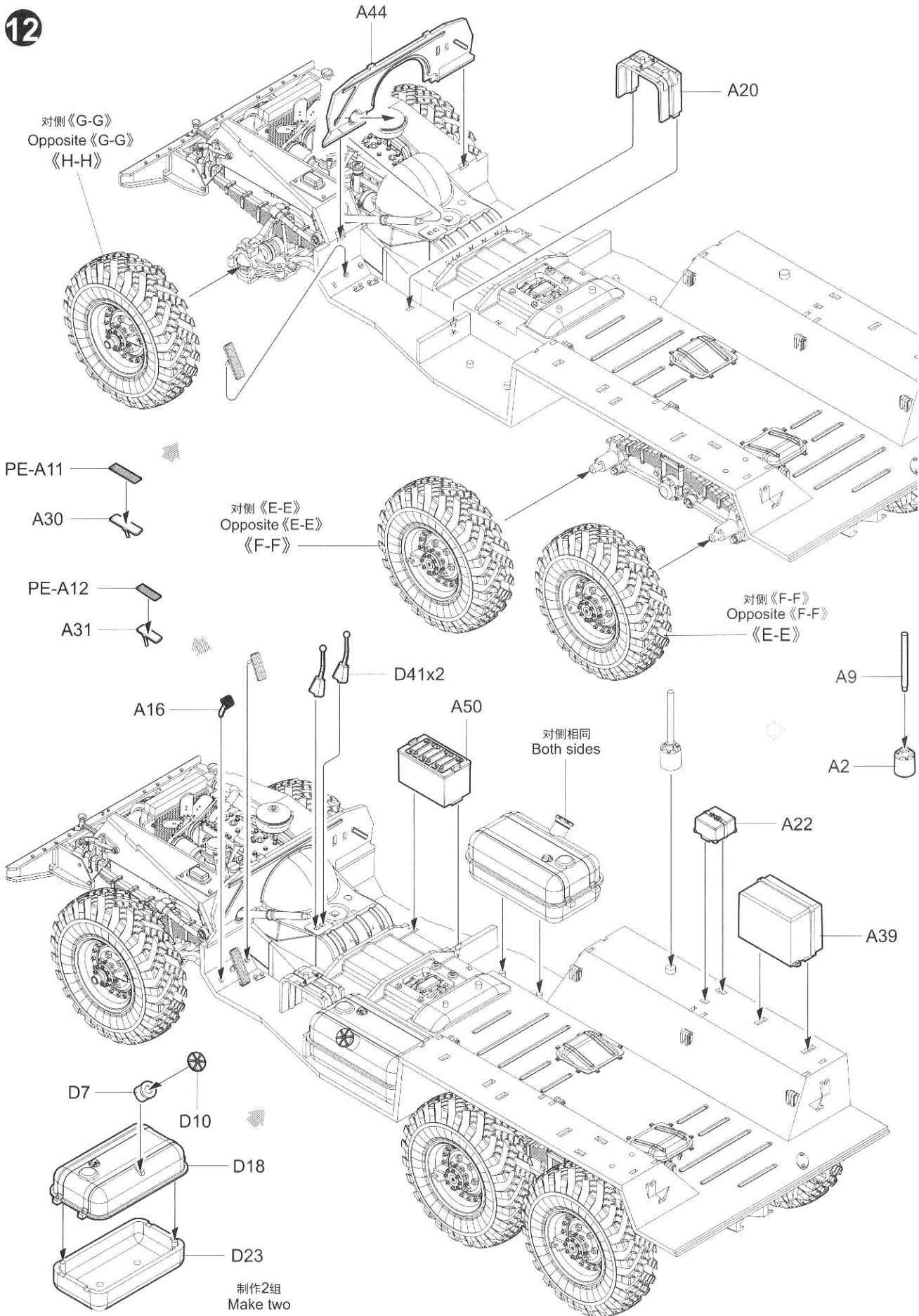
D7

D10

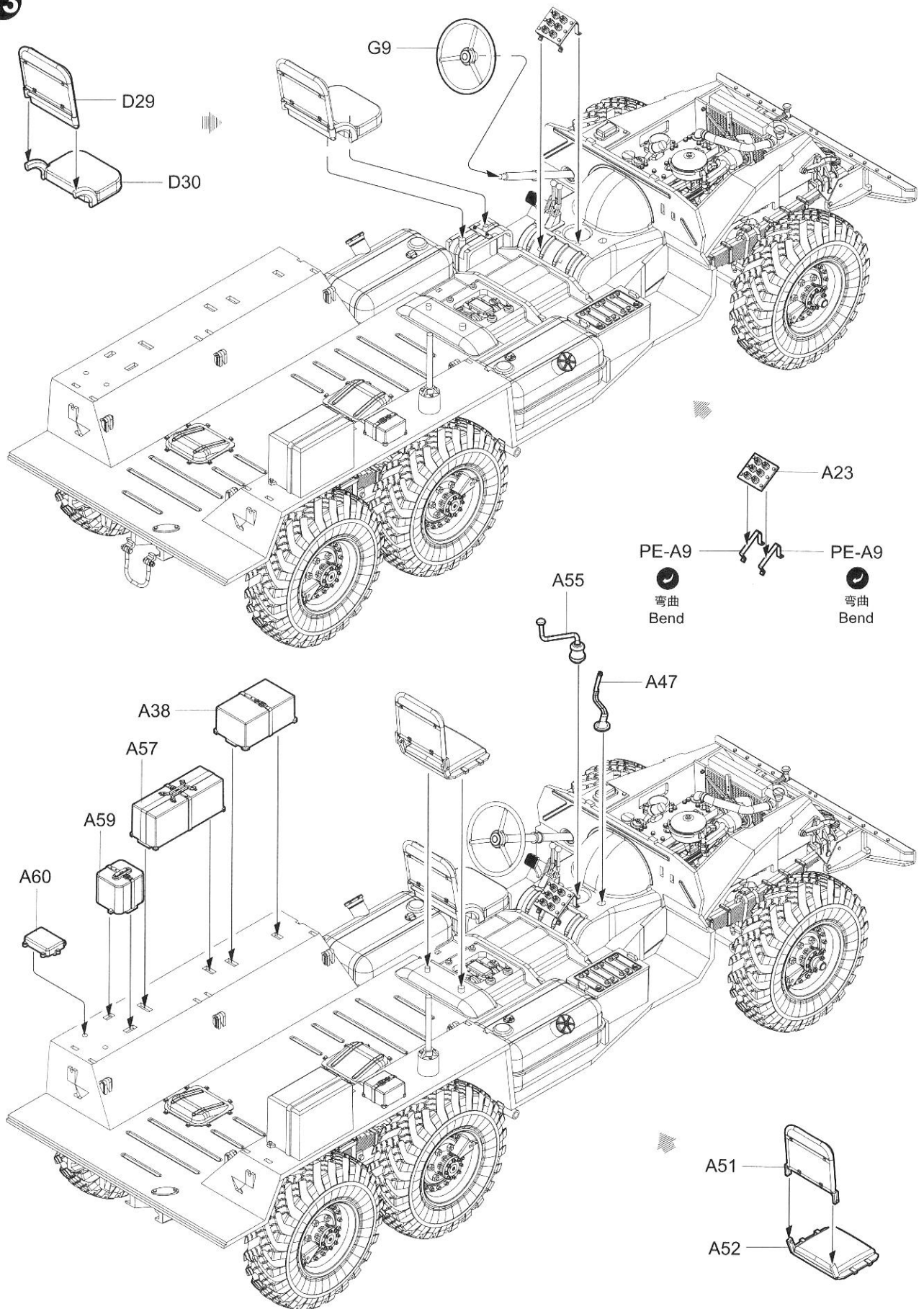
D18

D23

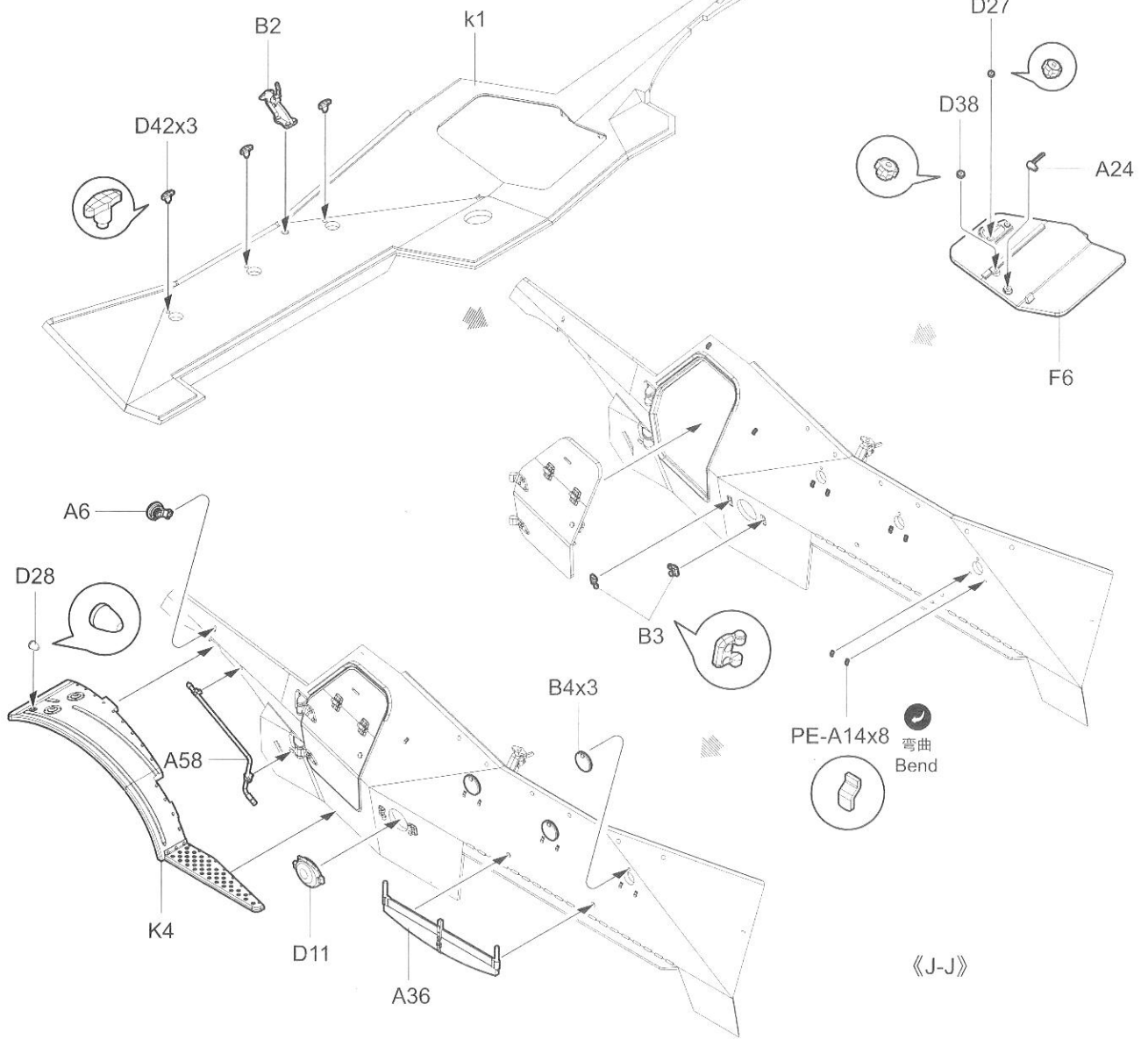
制作2组
Make two



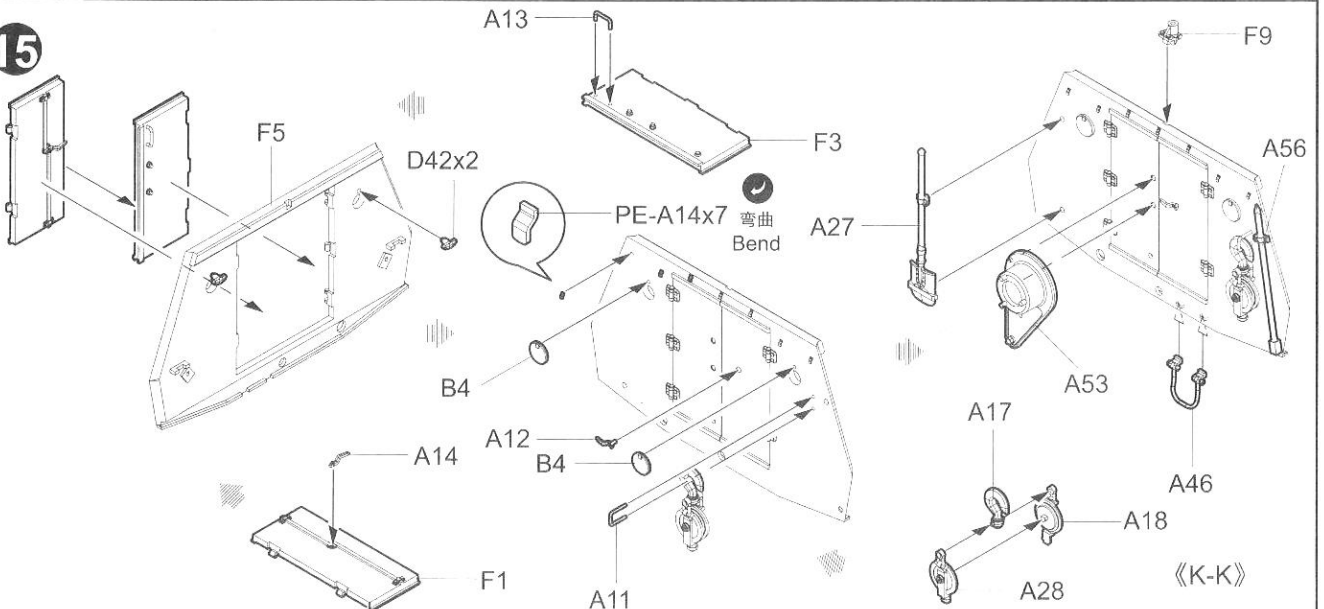
13



14

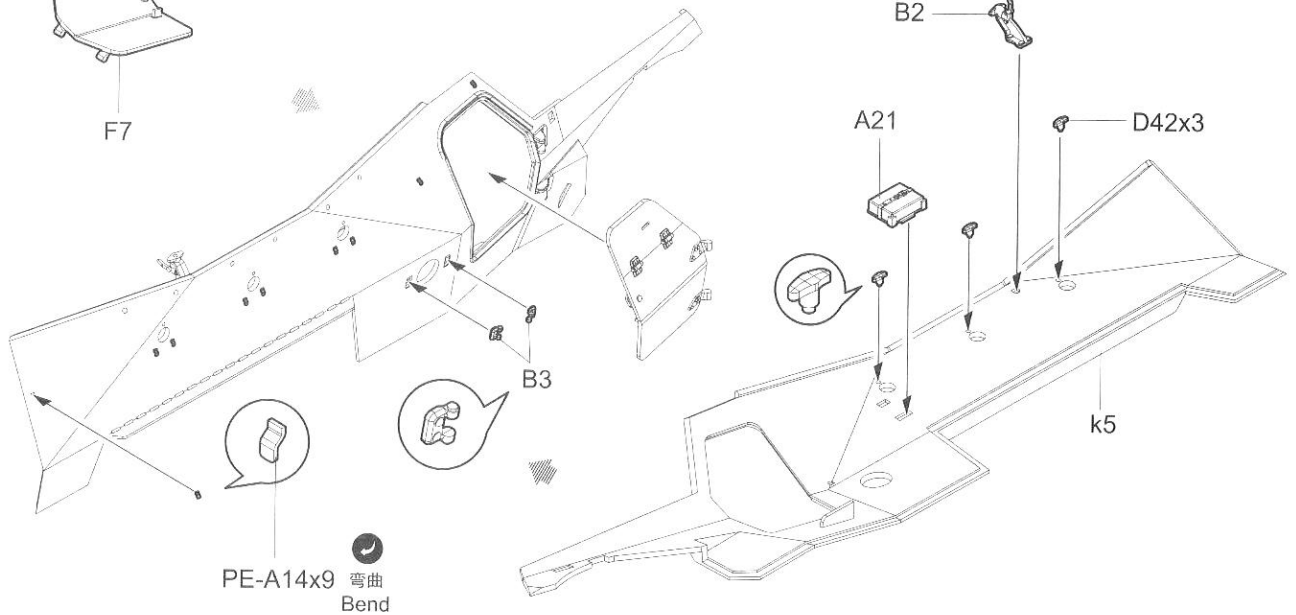
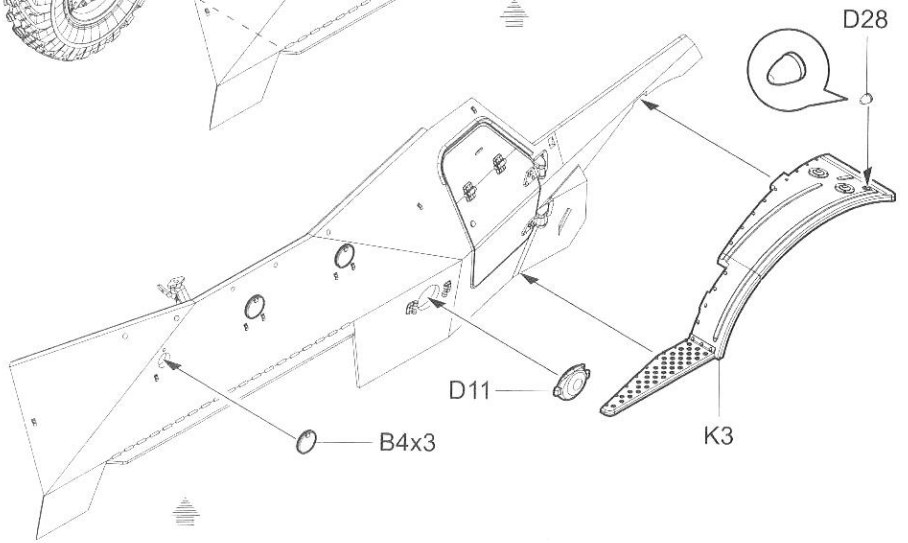
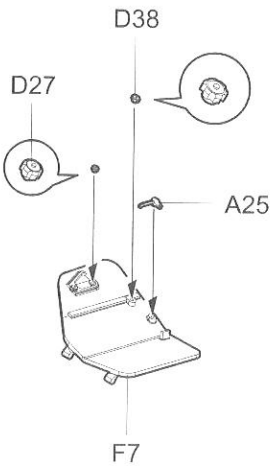
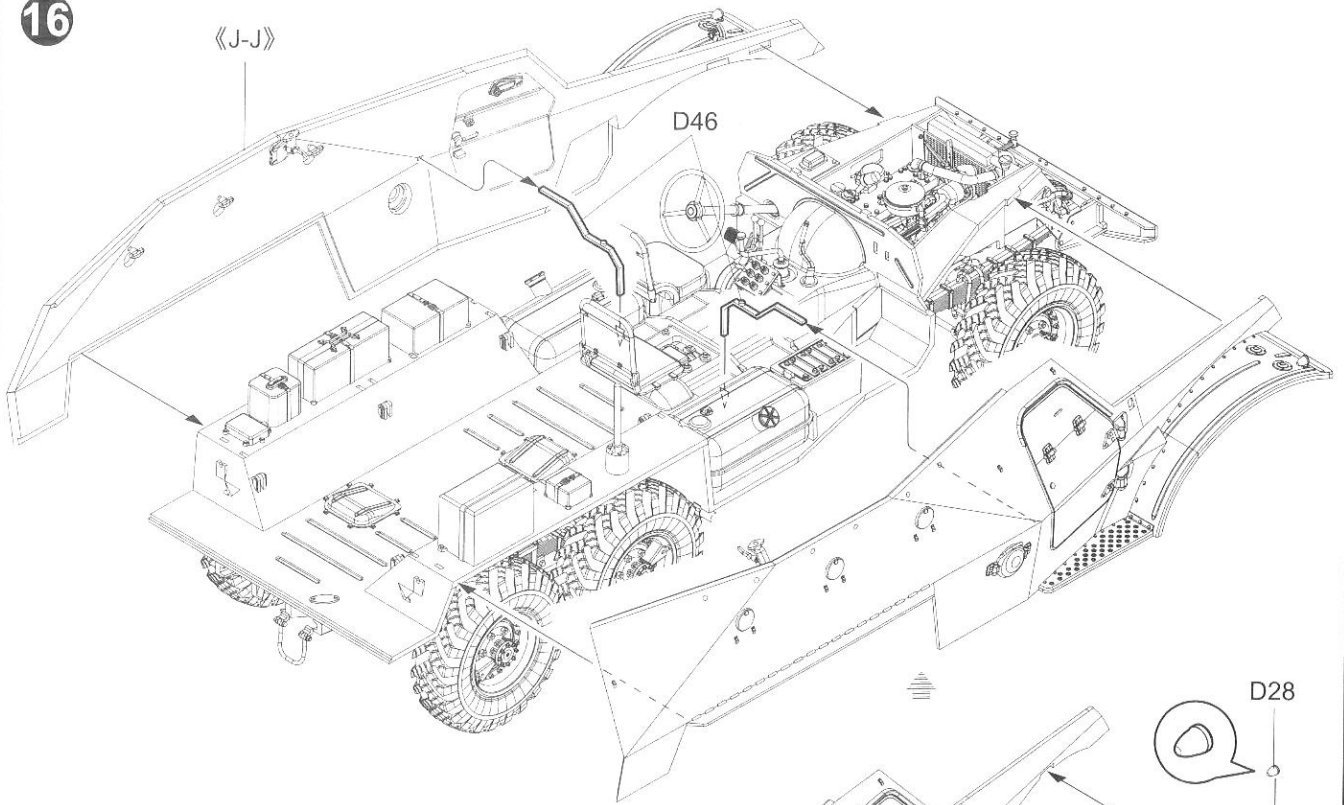


15

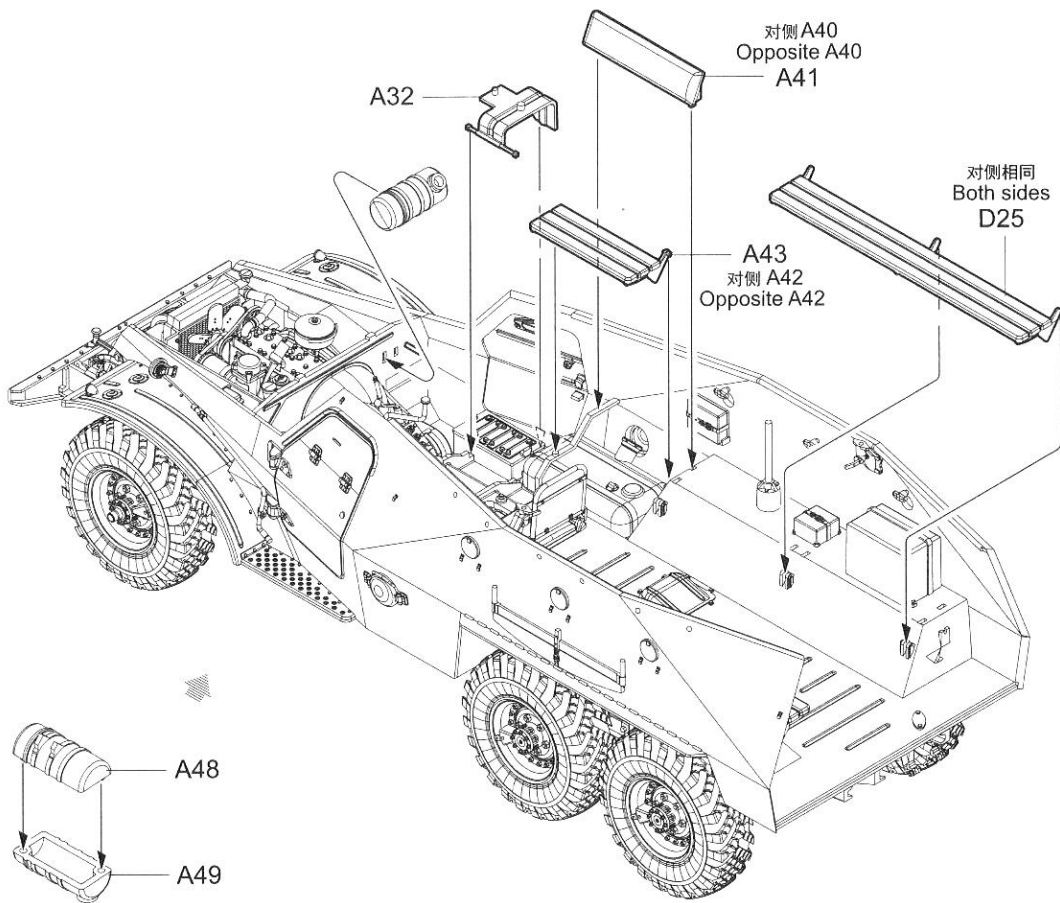


16

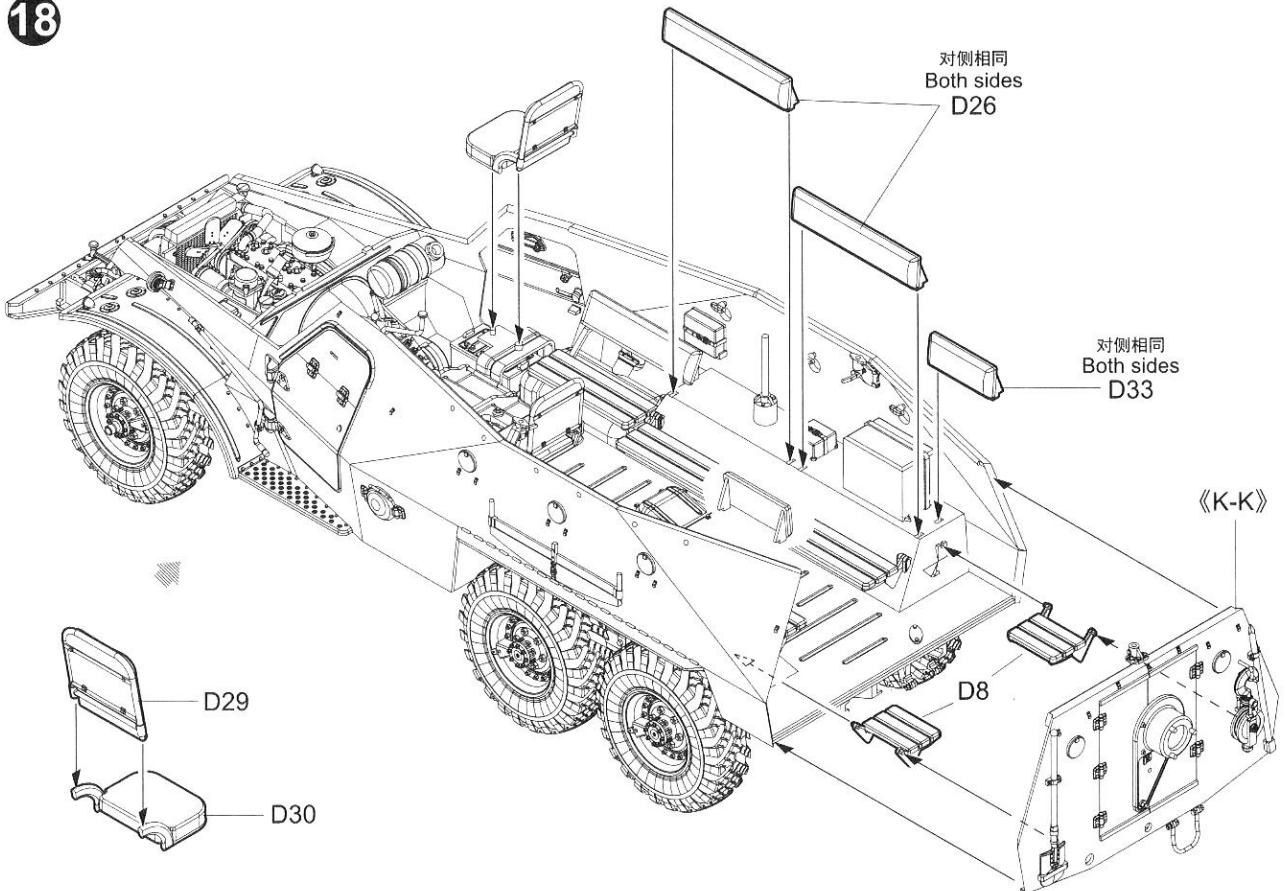
《J-J》



17



18



19

贴纸
Decal
(13)

A8

弯曲
Bend

PE-A14x5

A29

A54

K2

A54

B3x4

钻孔
Make hole

GP3

D17

F4

A7

F8

GP3

对侧相同
Both sides

D1

D17

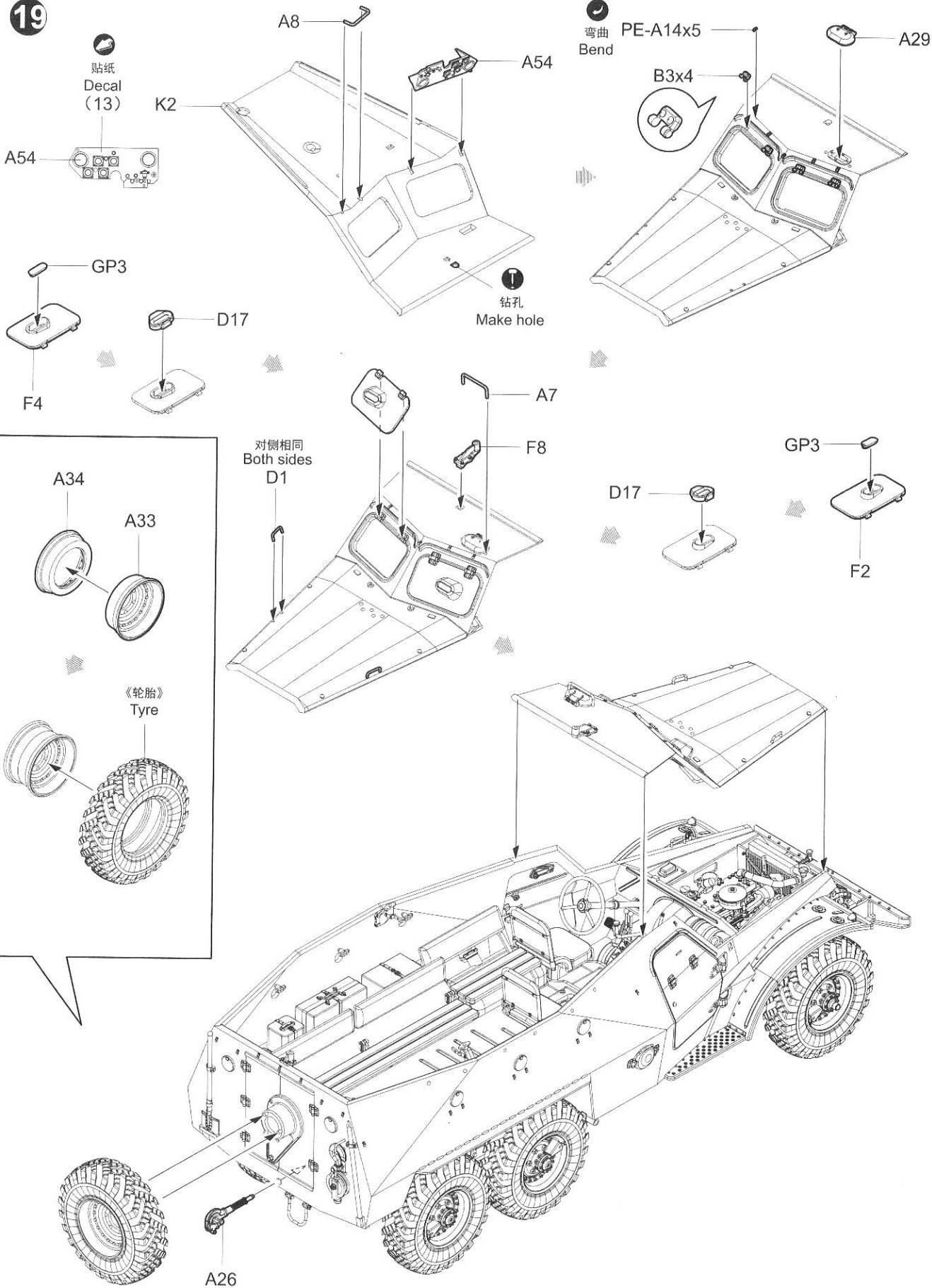
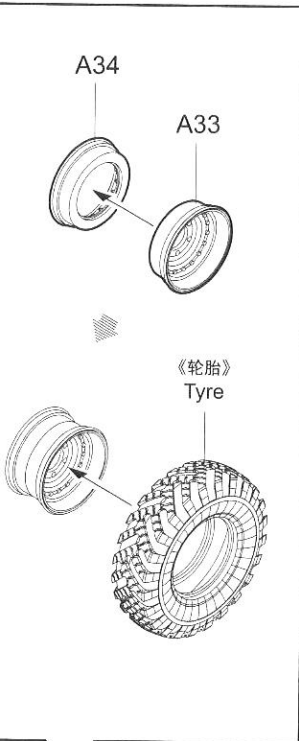
F2

A34

A33

《轮胎》
Tyre

A26



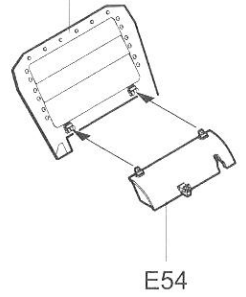
D14 GP2

D13 PE-A2 制作2组 Make two

对侧相同 Both sides

A35

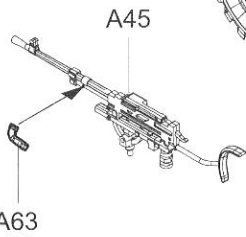
PE-A2



E54

对侧相同 Both sides

D13 GP1 制作2组 Make two



A45

A63

PE-A7

A3

A61+A62

弯曲 Bend PE-A10

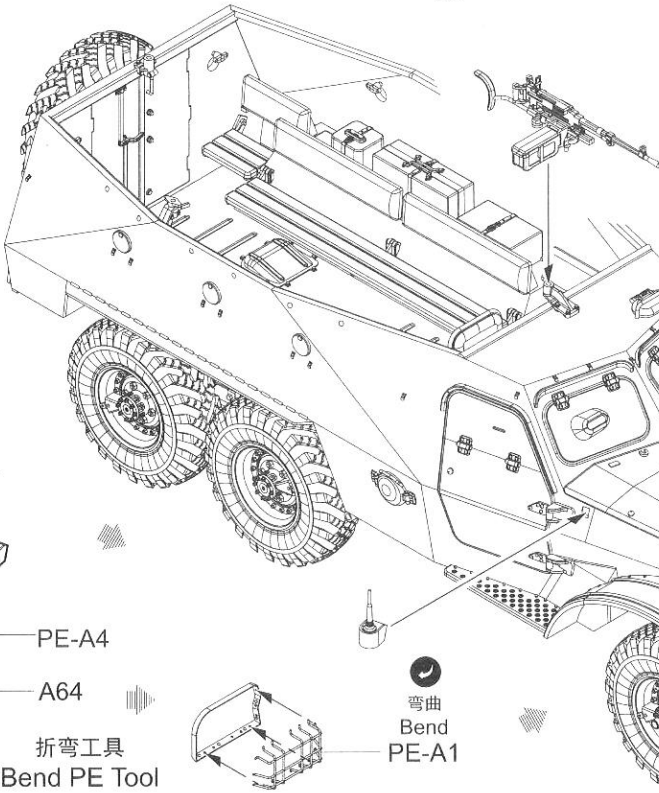
A1



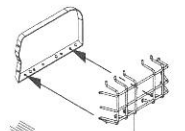
弯曲 Bend PE-A5

A65

折弯工具 Bend PE Tool



对侧 PE-A6 Opposite PE-A6 弯曲 Bend PE-A3



PE-A1

弯曲 Bend

A10 A15

PE-A4

A64

折弯工具 Bend PE Tool

弯曲 Bend PE-A1

PE-A13 弯曲 Bend

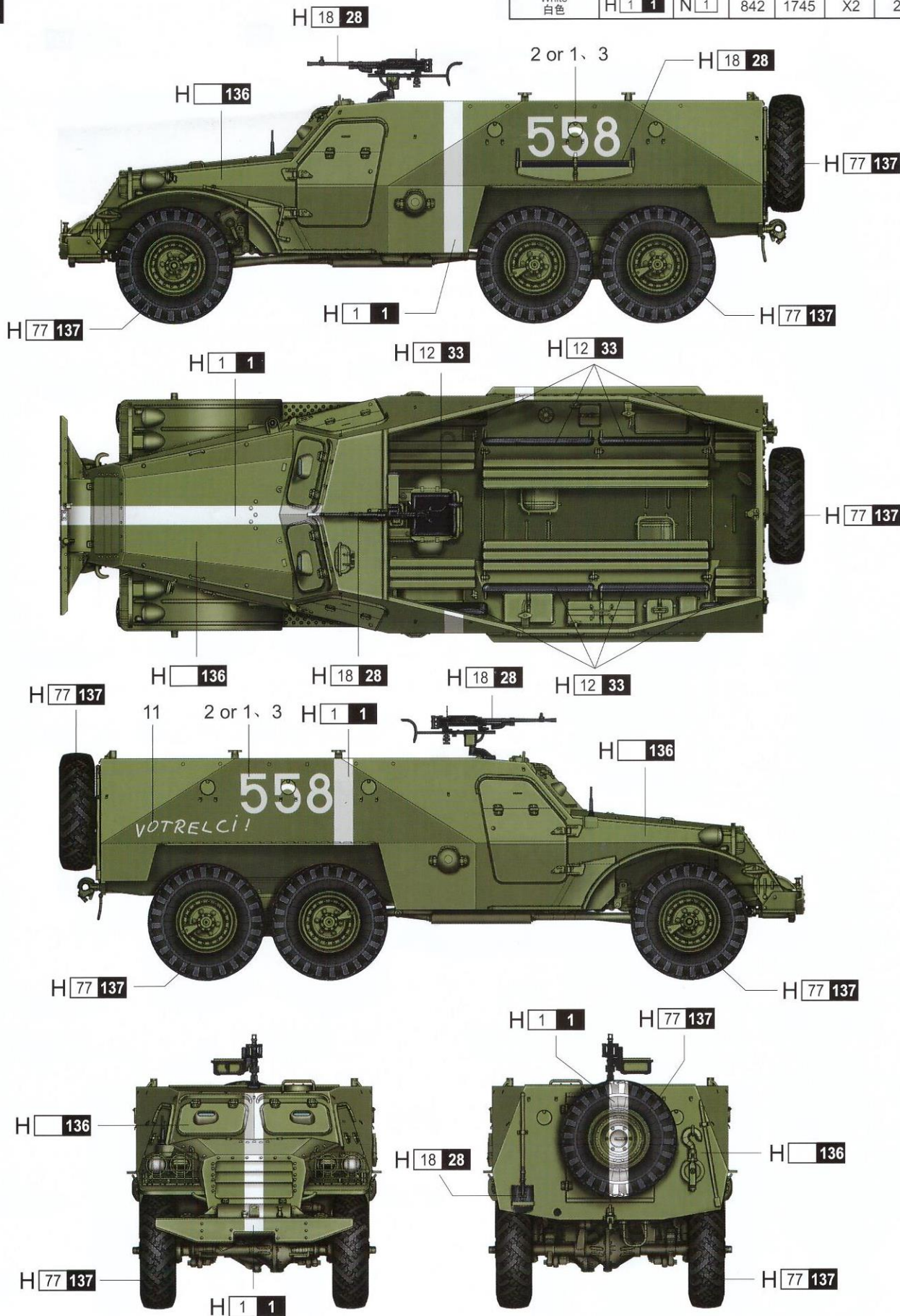
涂装同标贴指示

Painting & Marking guide

PAINT REFERENCE COLOR

Color	Mr.Hobby	Acrycion	Vallejo	Model Master	Tamiya	Humbrol
Russian Green(2) 绿色	H <input type="checkbox"/> 136	N <input type="checkbox"/>	823	-	-	-
Tire Black 胎黑色	H <input type="checkbox"/> 77 137	N <input type="checkbox"/> 77	-	-	XF85	-
Steel 黑铁色	H <input type="checkbox"/> 18 28	N <input type="checkbox"/> 18	864	1402	XF84	-
White 白色	H <input type="checkbox"/> 1 1	N <input type="checkbox"/> 1	842	1745	X2	22

A



H AQUEOUS HOBBY COLOR N Mr. COLOR N ACRYCION COLOR

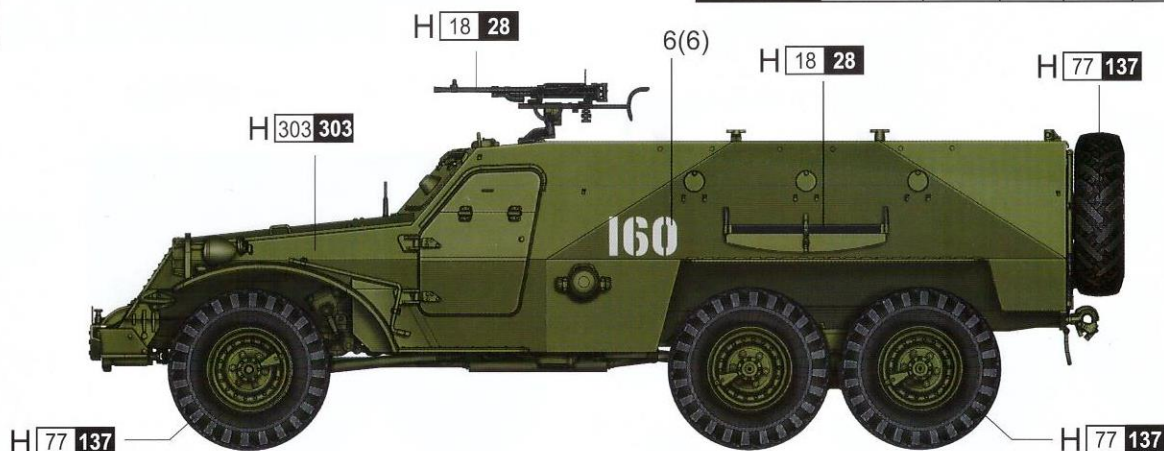
涂装同标贴指示

Painting & Marking guide

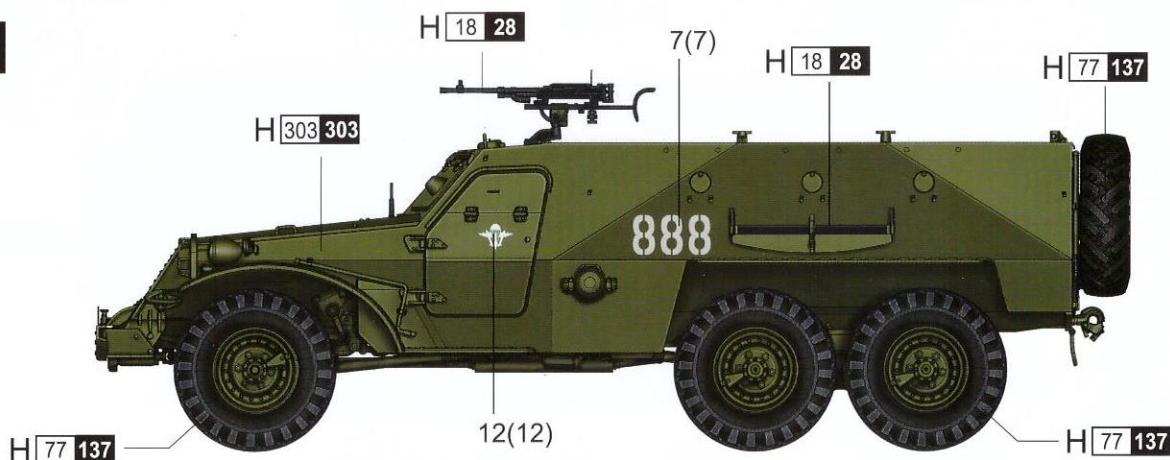
PAINT REFERENCE COLOR

Color	Mr.Hobby	Acrycion	Vallejo	Model Master	Tamiya	Humbrol
Light Green 绿色	H 303 303	N 303	-	1713	XF20	117
Sandy Yellow(Dark Yellow) 砂黄色	H 79 39	N 79	824	-	XF59	93
Flat Black 消光黑	H 12 33	N 12	950	1749	XF1	33

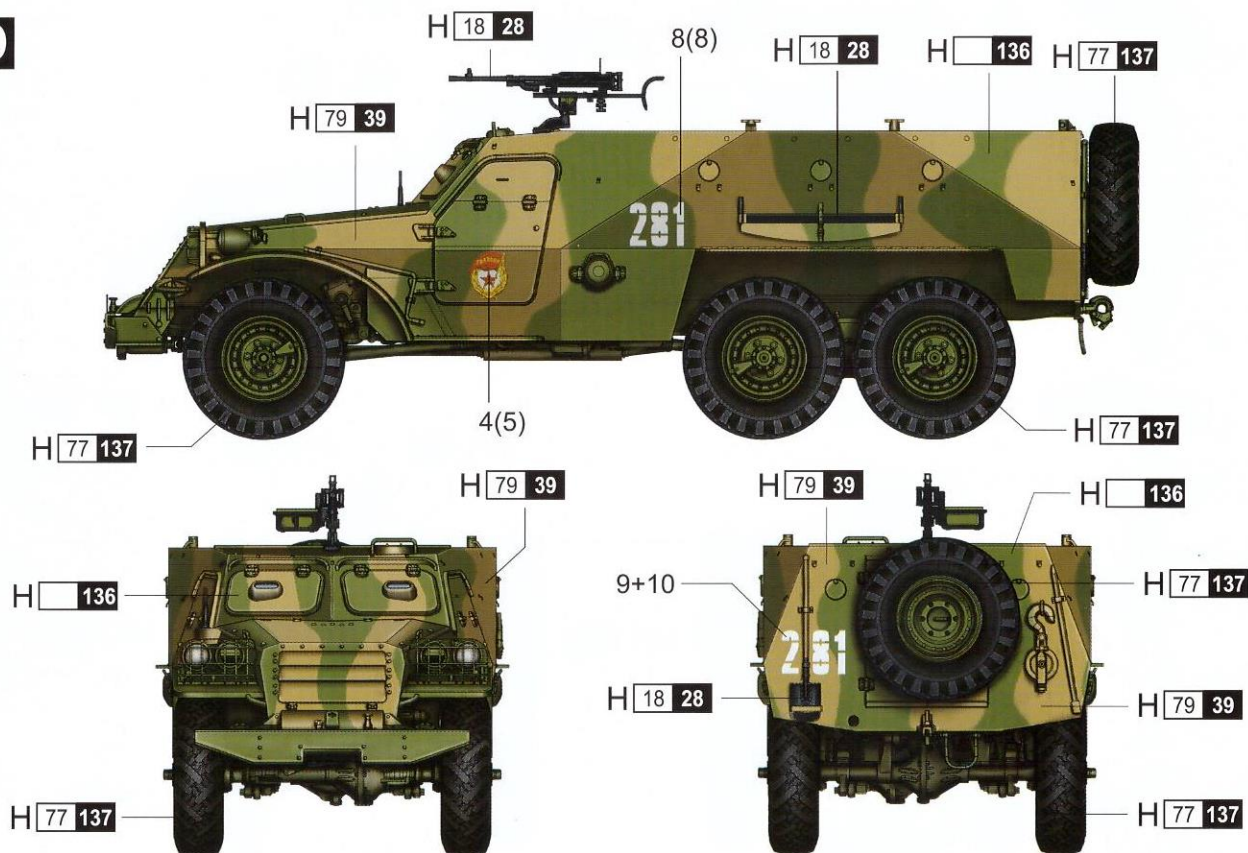
B



C



D



H AQUEOUS HOBBY COLOR Mr. COLOR N ACRYSION COLOR