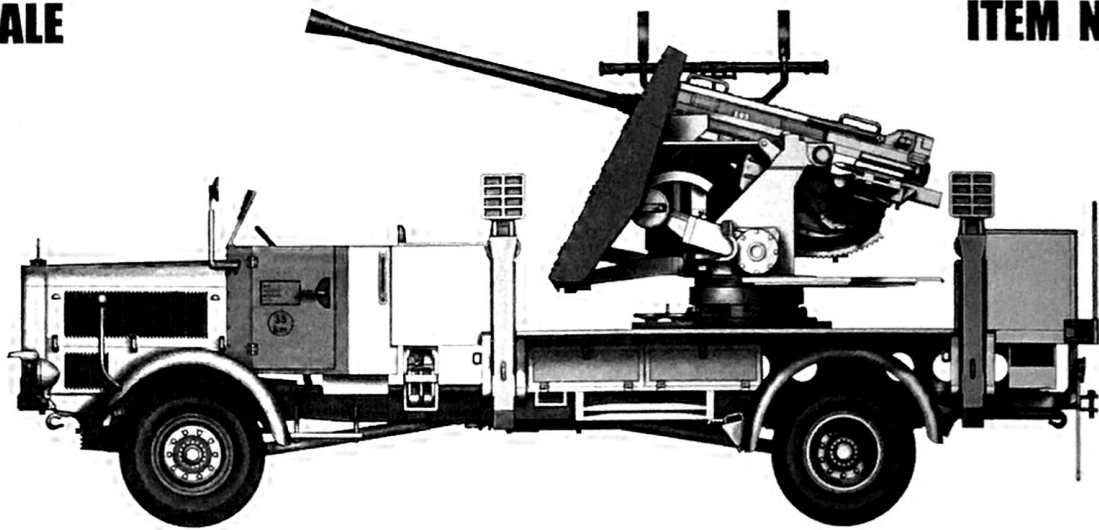


1/35 SCALE

ITEM NO.:09595



L4500A mit 5cm Flak 41 I

L4500A装甲车搭载5cm Flak41防空炮

READ BEFORE ASSEMBLY:

装配之前仔细阅读

- Study and understand these instructions thoroughly before beginning assembly
 - When needed, remove photo-etch parts carefully using a modeling knife or photo etch sprue cutter, being careful not to damage or lose small parts.
 - Take extra care in handling photo etch parts in order to avoid injury
 - Apply instant cement sparingly to photo etch parts where instructed
 - Tools recommended(not included in kit):Plastic and instant cements, sprue cutters,long nose pliers,modeling knife, small files, tweezers, pin vise & scissors. Soft cloth and sandpaper will also assist in construction
 - Glue and paint are not included in the kit. Use plastic cement and hobby paints only. Color guide for purchasing paint is included in the kit.
- 小心用模型锉刀锉平所有零件表面的注射浇口。
 - 小心用刀片切下蚀刻片零件，不要遗失小零件。
 - 用强力快干胶水粘合蚀刻片零件和金属轴。过量快干胶水使用可能导致可动零件会粘住，小心涂胶。
 - 取蚀刻片时应特别注意安全，防止利边划伤手指。
 - 某些零件表面需贴上水贴纸，请选择在装配的同时进行。
 - 推荐模型工具(自备)：胶水，水口剪刀，长咀钳，刀片，锉刀，镊子，钳，钻，剪刀，瞬间快干胶。
 - 软布同砂纸同时也是所需工具。
 - 请使用塑料胶水和油漆，模型内不含。



使用强力胶
Cyanoacrylate glue



配重
Weight



钻孔
Make hole



切除
Cut / Remove



贴纸
Decal



锉平
File / Sand



选择
Option



不涂胶水
No cement



弯曲
Bend



先装
Install it first



填补
Repair

水贴纸的使用:

- 1.从水贴上剪下印花;
- 2.将印花放入温水中浸10秒，然后放在干净布上。
- 3.拿着印花纸板将印花移到模型上;
- 4.手指蘸水将印花移到适当的位置;
- 5.用软布轻压印花直至水干，汽泡消失

DECAL APPLICATION

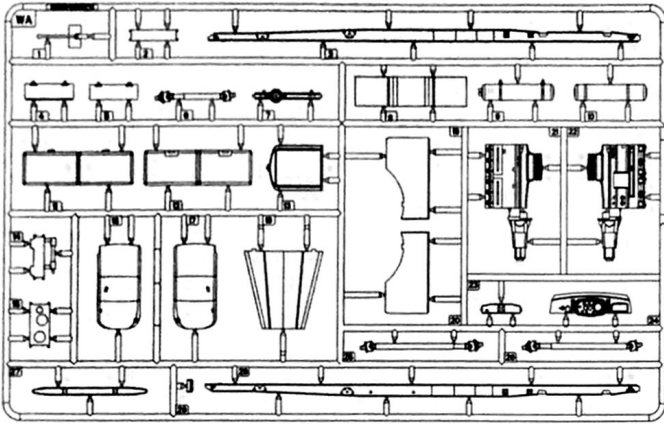
- 1.Cut decals from sheet as needed
- 2.Dip the decal in warm water for about 10 seconds and then place on soft clean cloth.
- 3.Hold the decal backing sheet edge and gently slide the decal onto the model in its proper position.

- 4.While still wet,decal can be adjusted for better fit on model by dampening it gently with your finger.
- 5.When placed in the proper position,gently press decal down with a soft cloth until excess water and air bubbles are gone.
- 6.Allow decal to dry completely before handling model

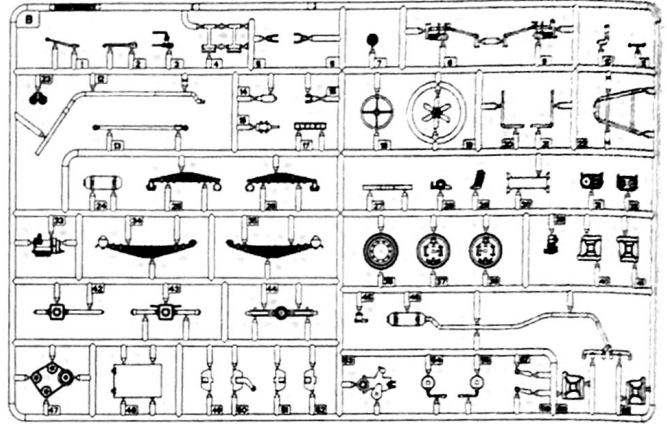
* 说明书中含有重要信息，应保留。 Please Keep instruction since it contains important information.

部品图 Parts

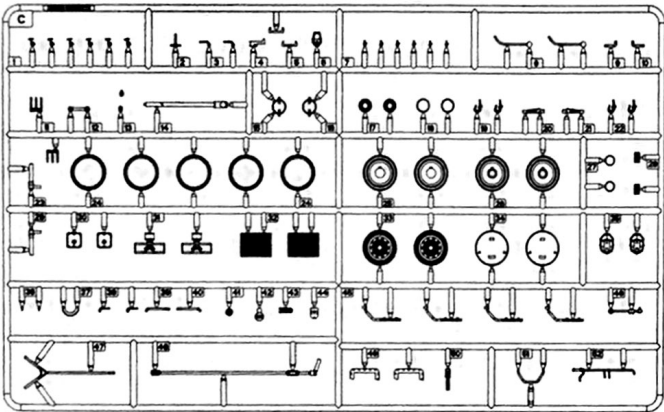
WA



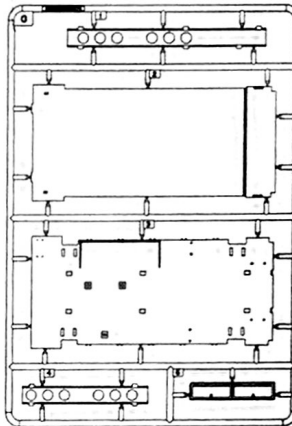
B



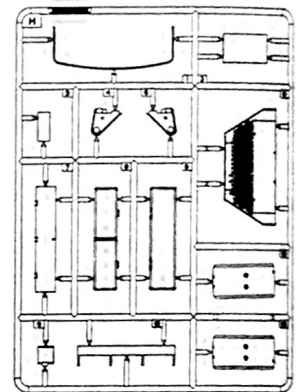
C



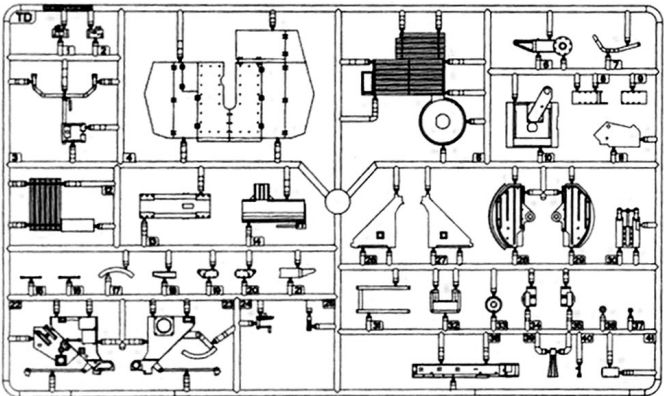
G



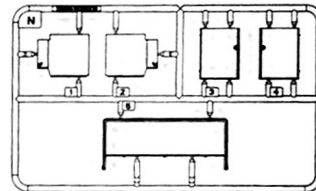
H



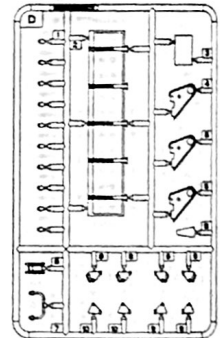
TD



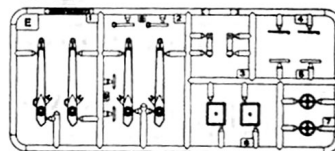
N



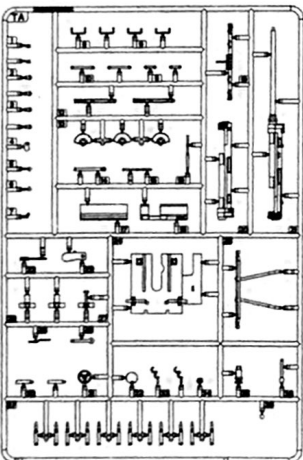
Dx2



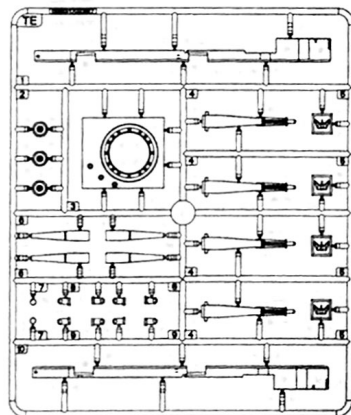
Ex2



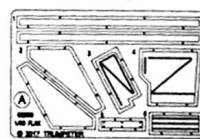
TA



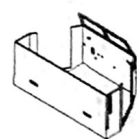
TE



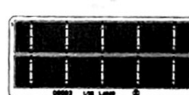
PE-A



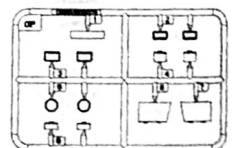
G7



PE-E



GP



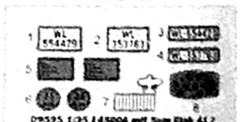
PE-B



《轮胎》
Tyre x7



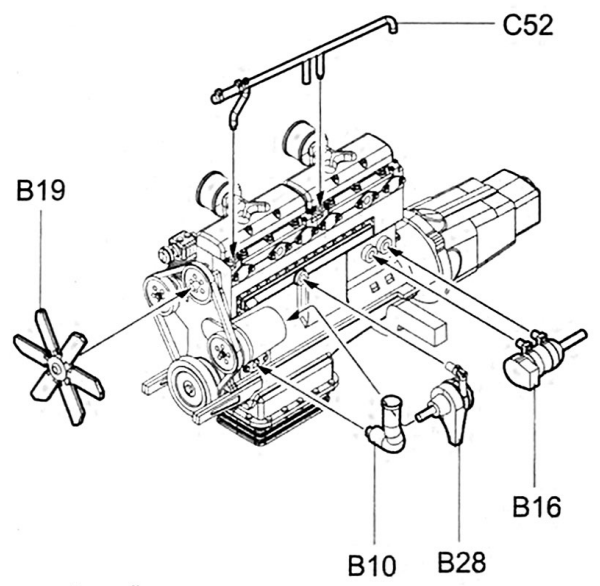
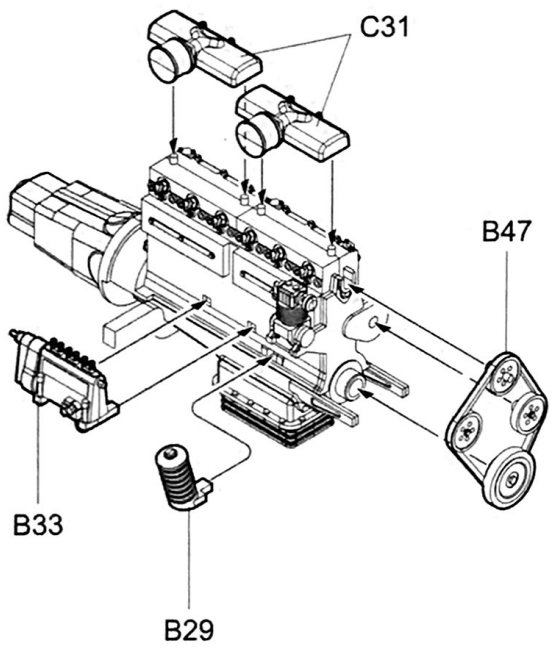
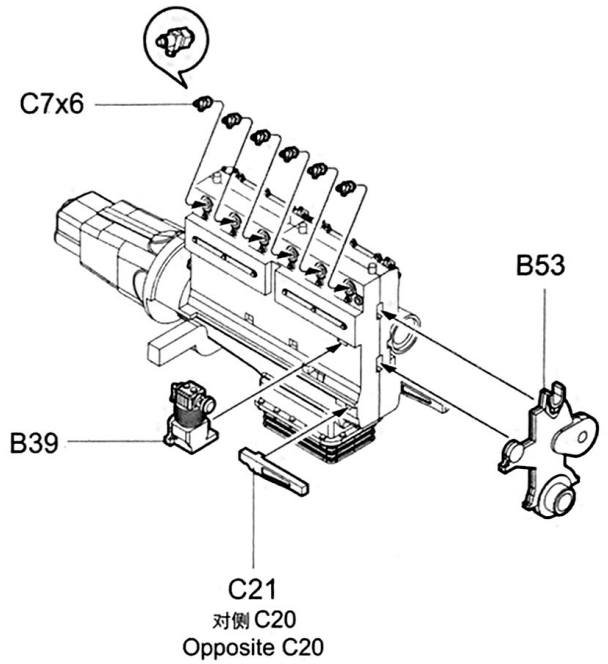
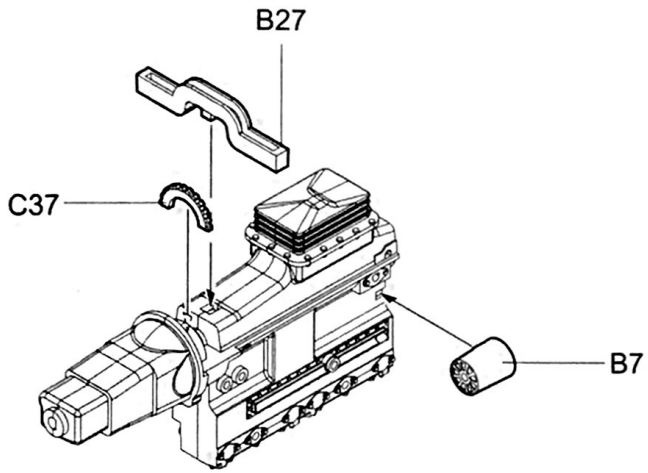
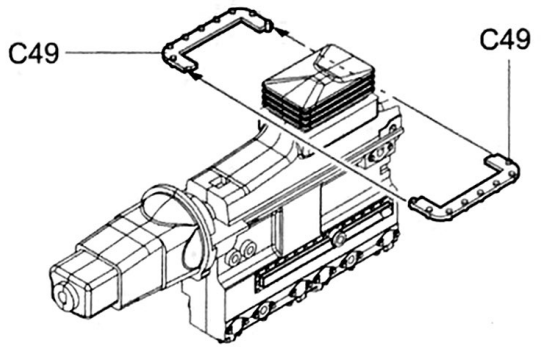
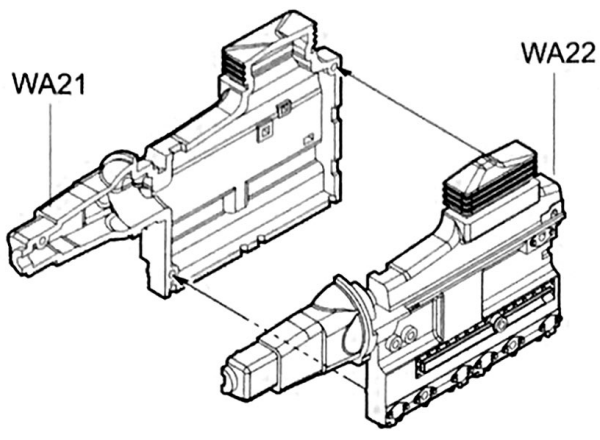
《水贴》
Decal



不用零件: WA4, WA5, B5, B48, C47, E5, H12
Unused Parts GP1, GP2, GP3, GP4, GP6

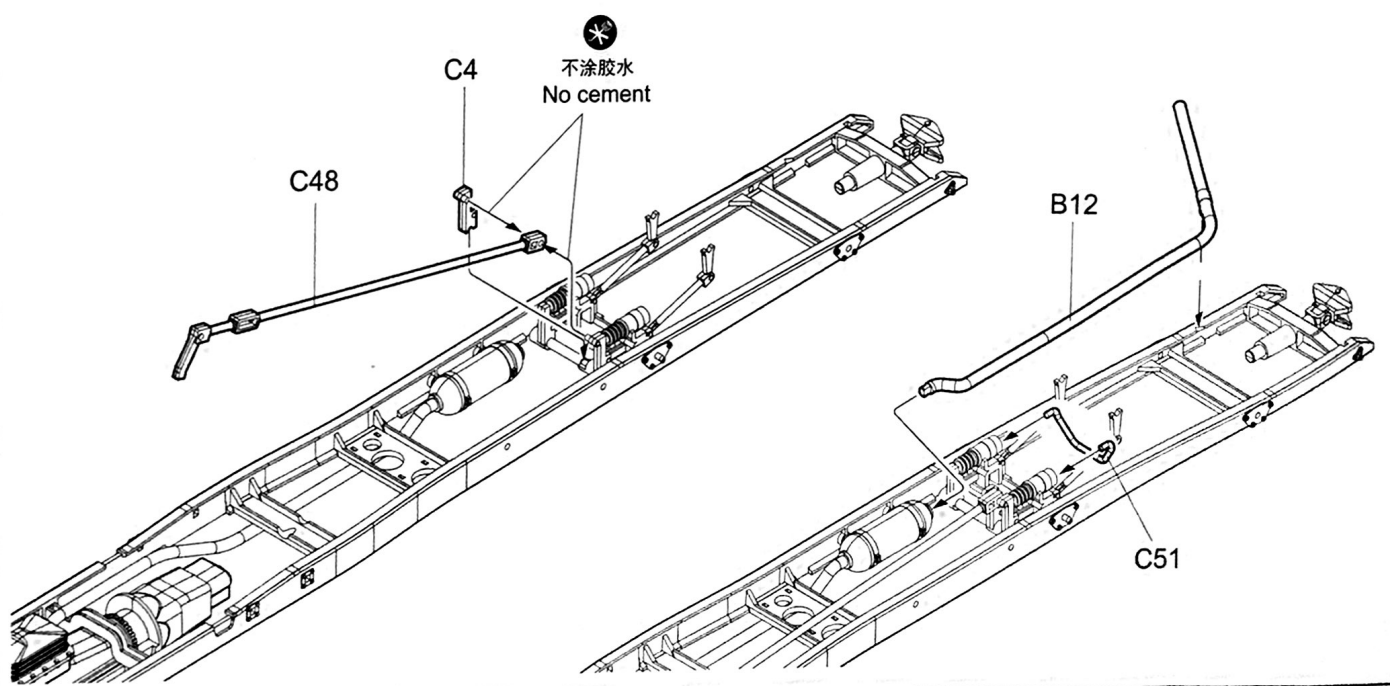
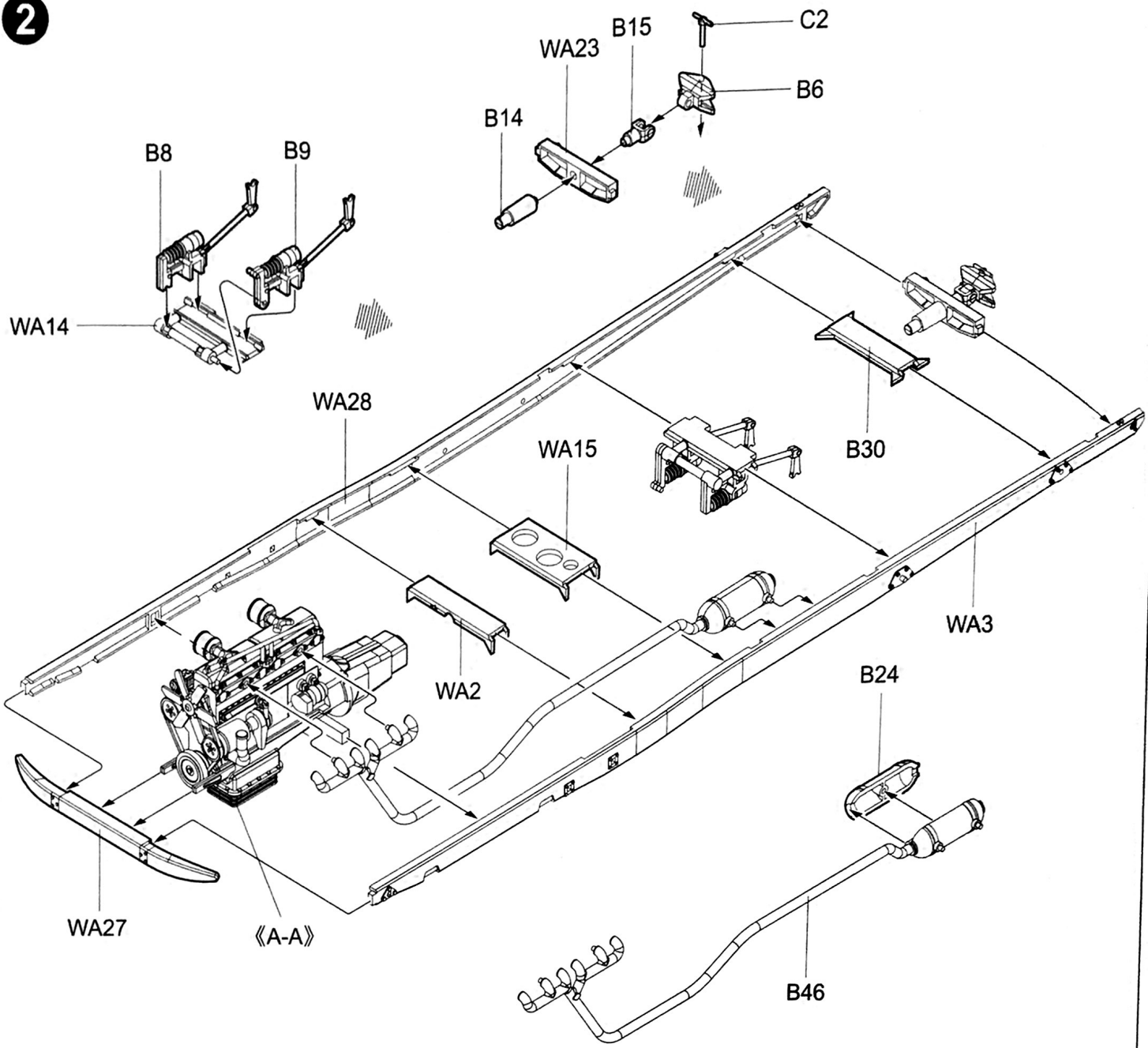
TE1, TE3, TE4, TE5, TE6, TE7, TE8, TE9, TE10

1

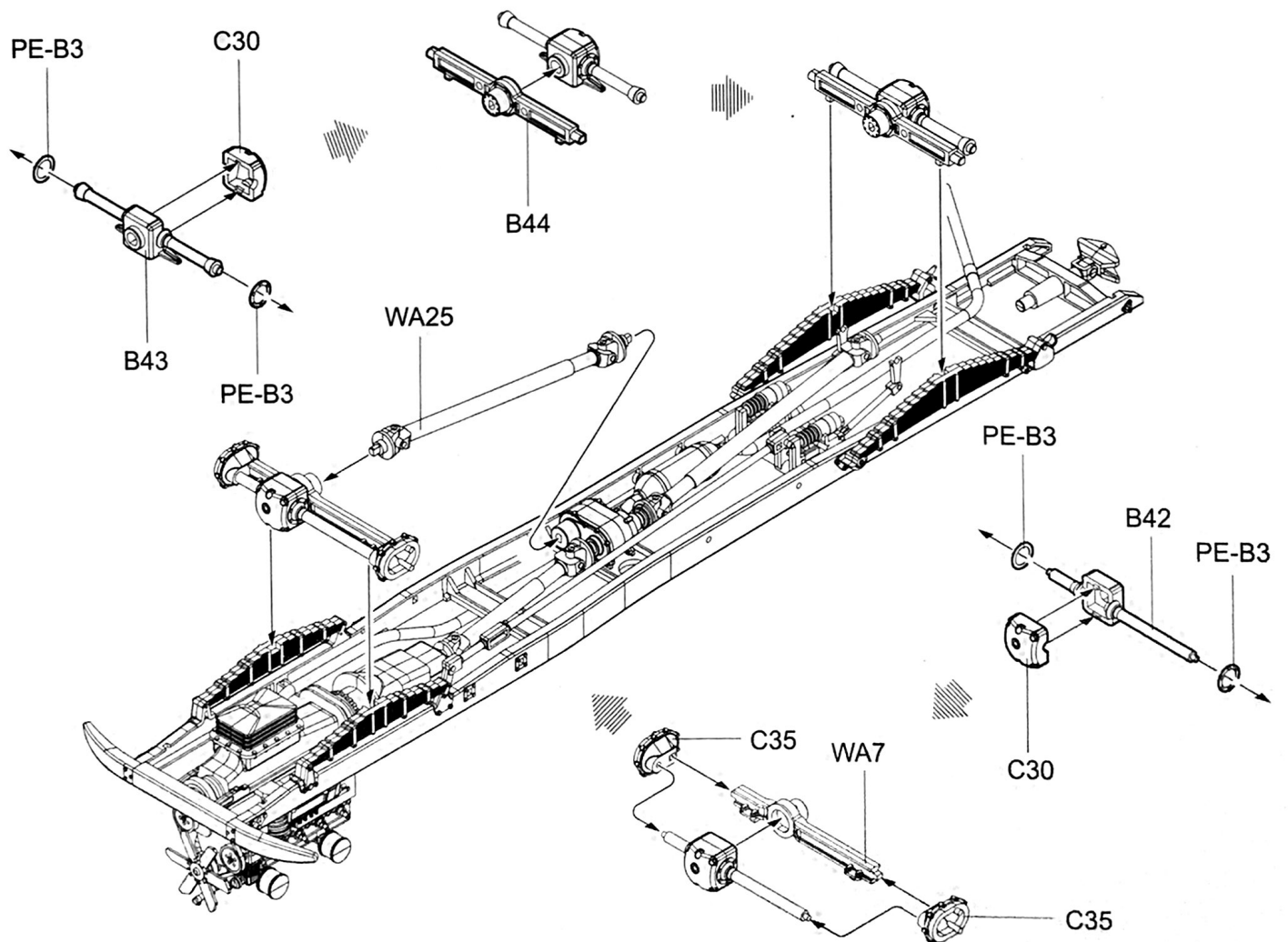
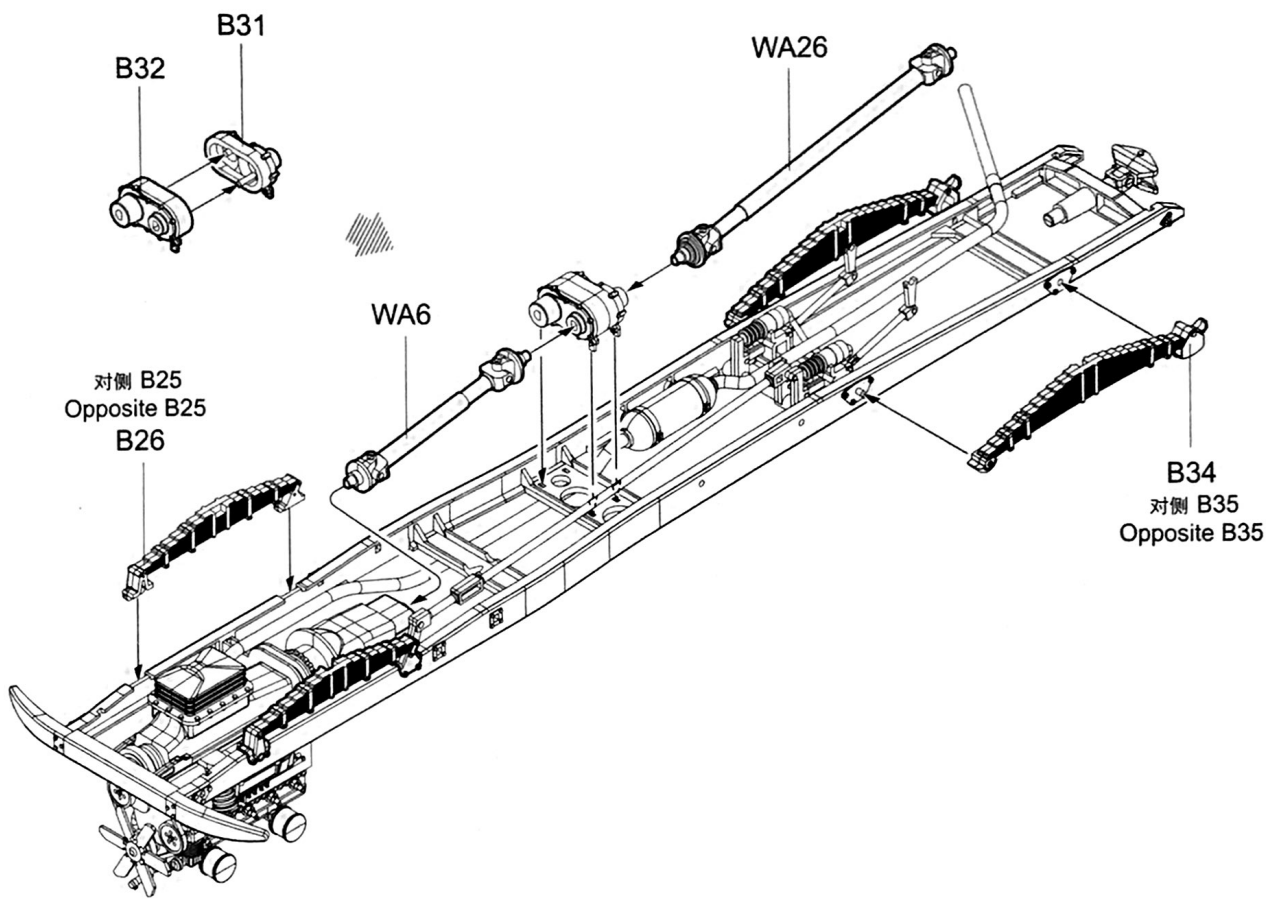


《A-A》

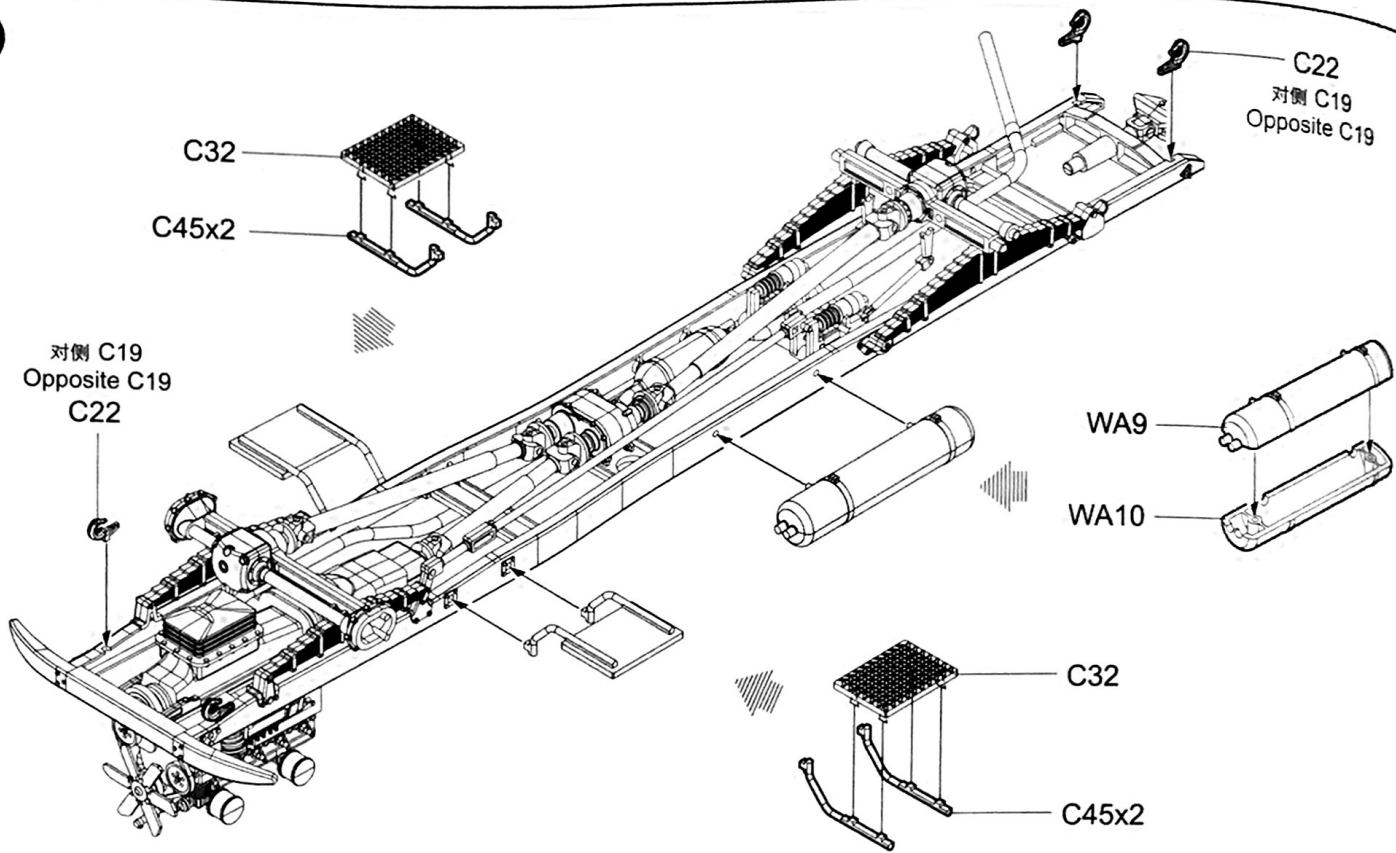
2



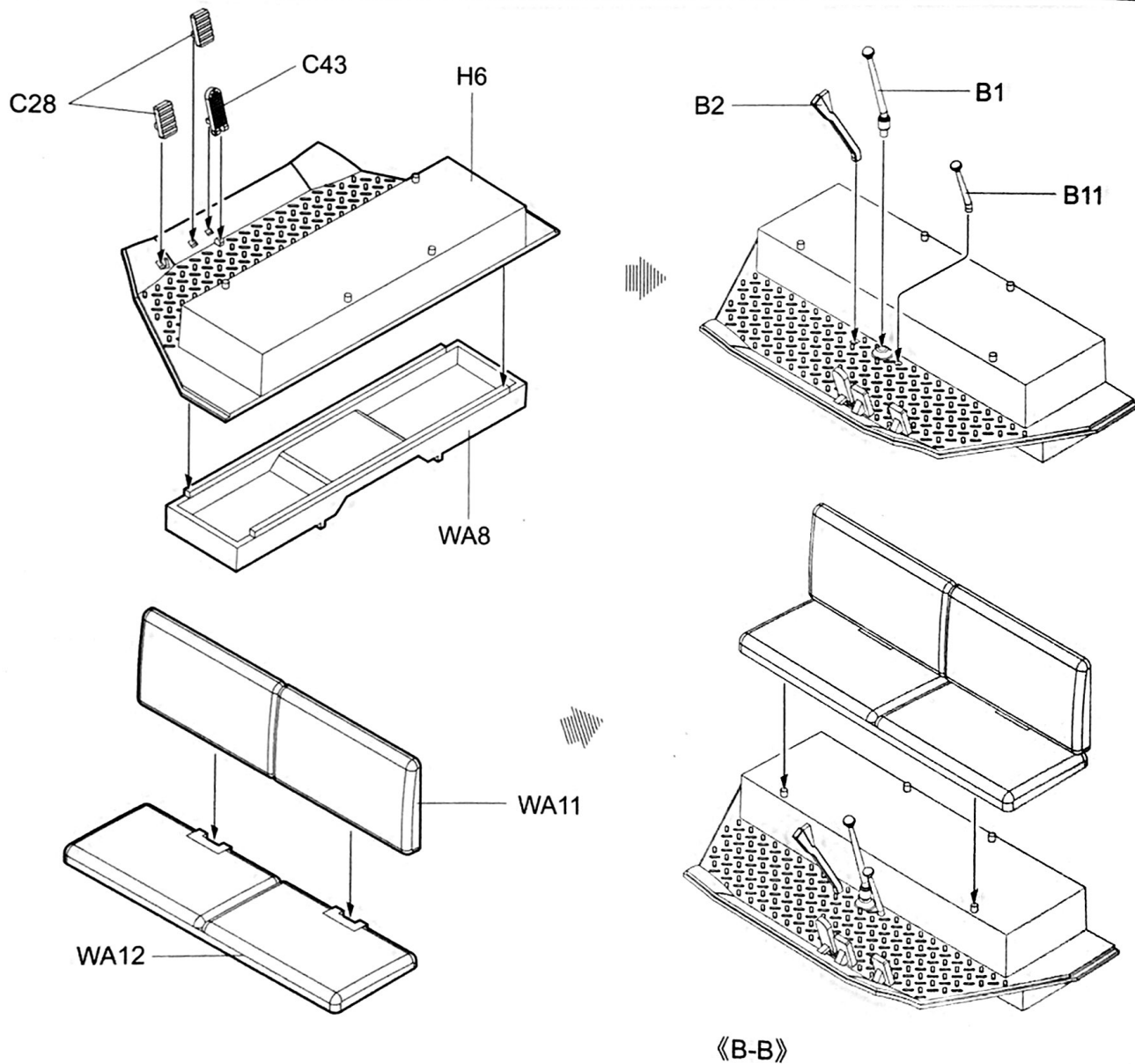
3



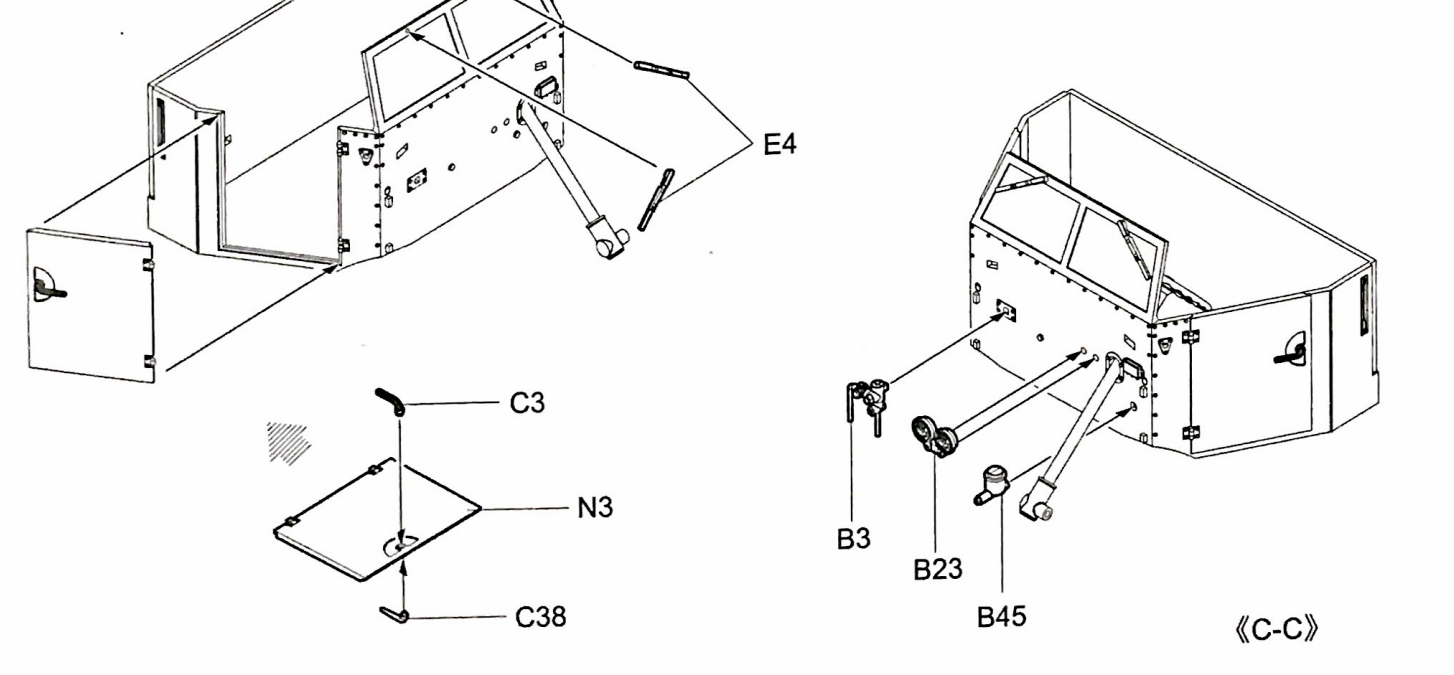
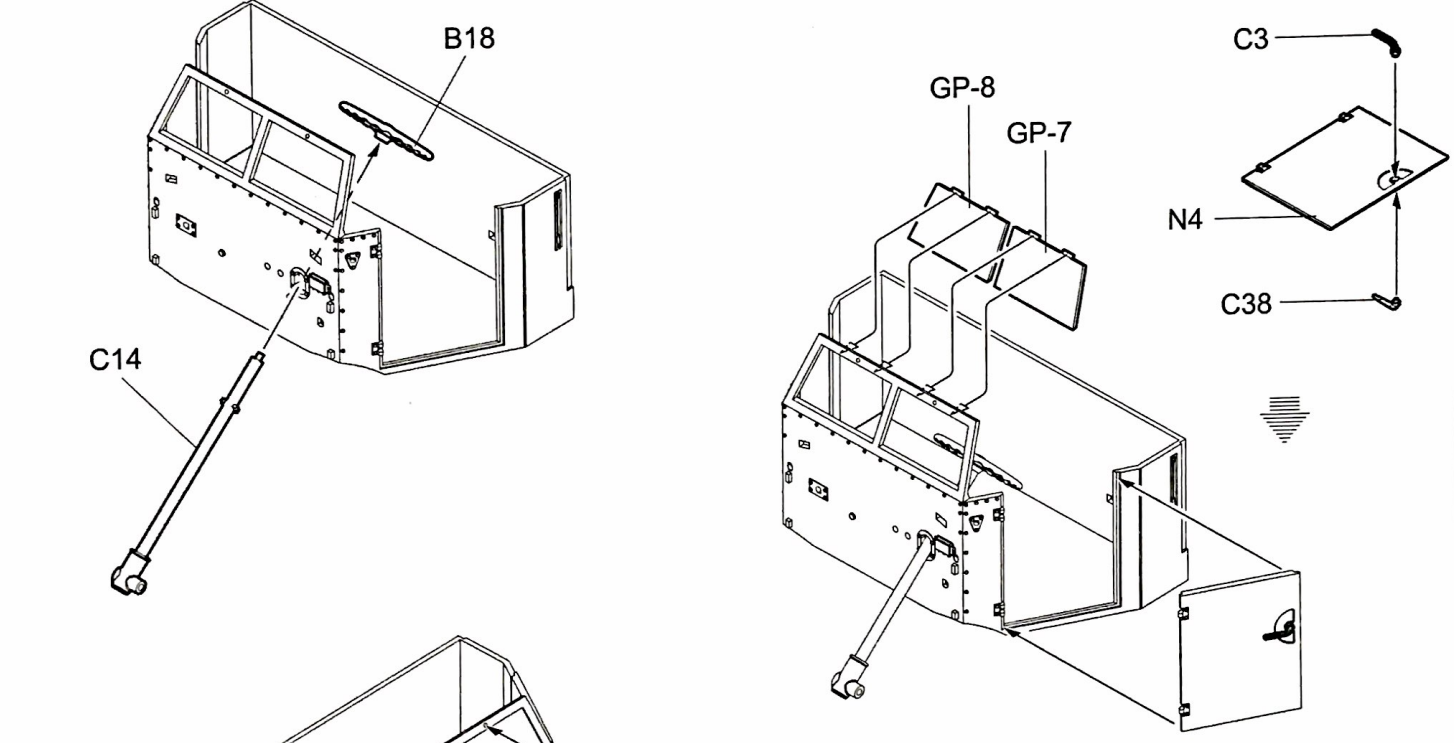
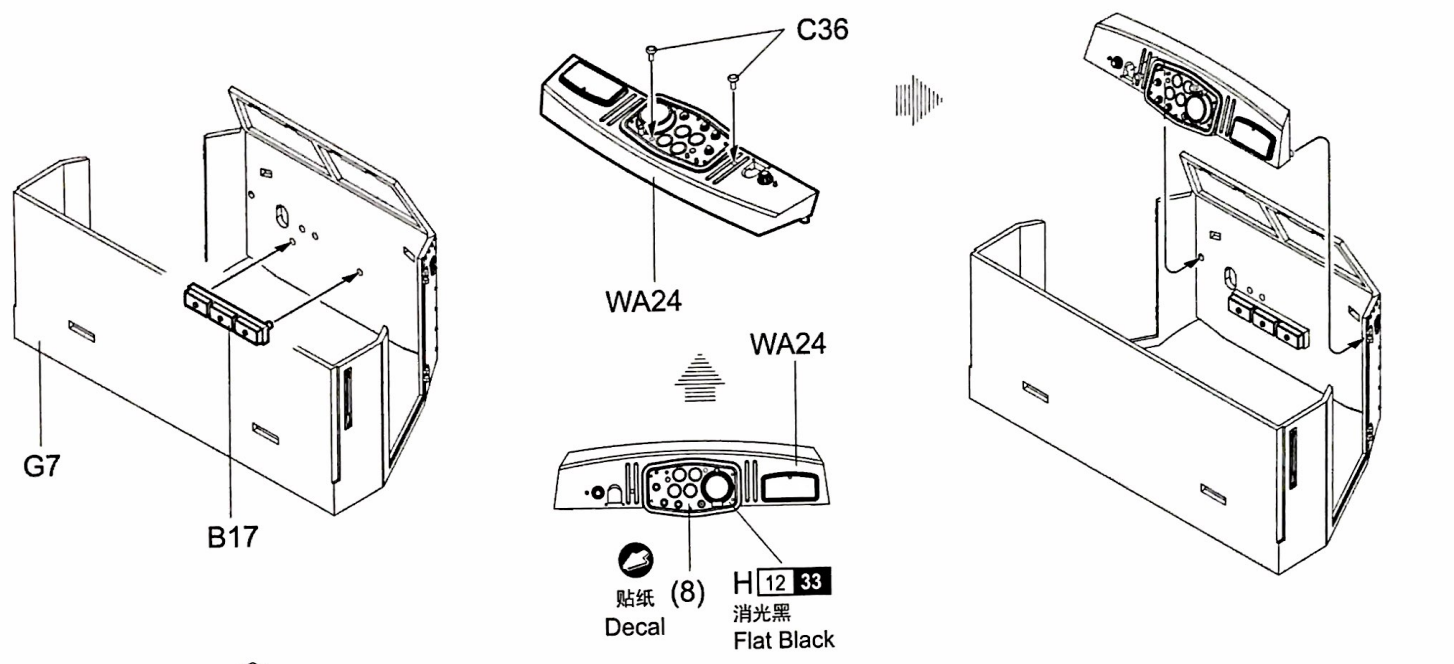
4



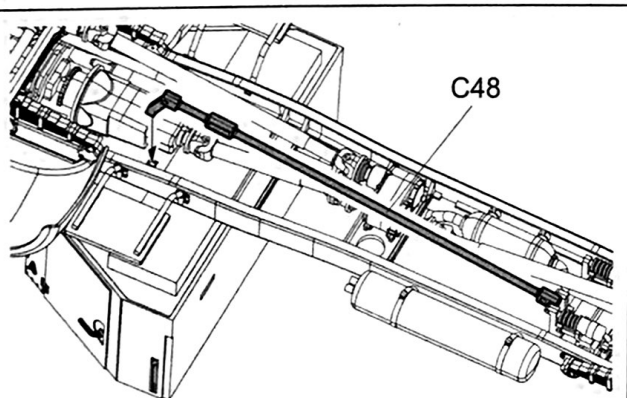
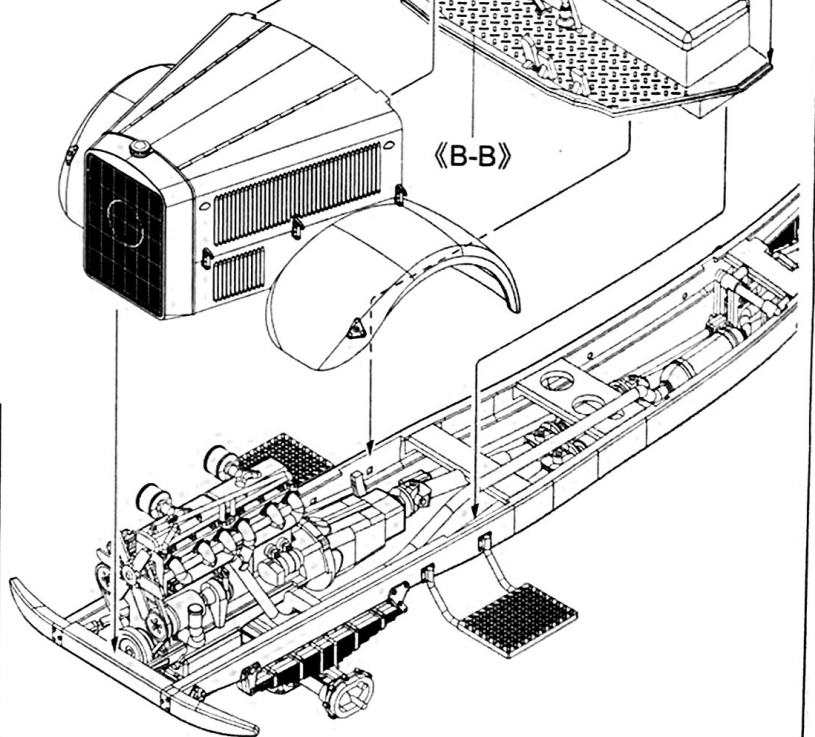
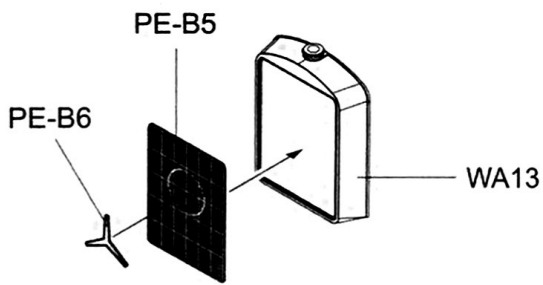
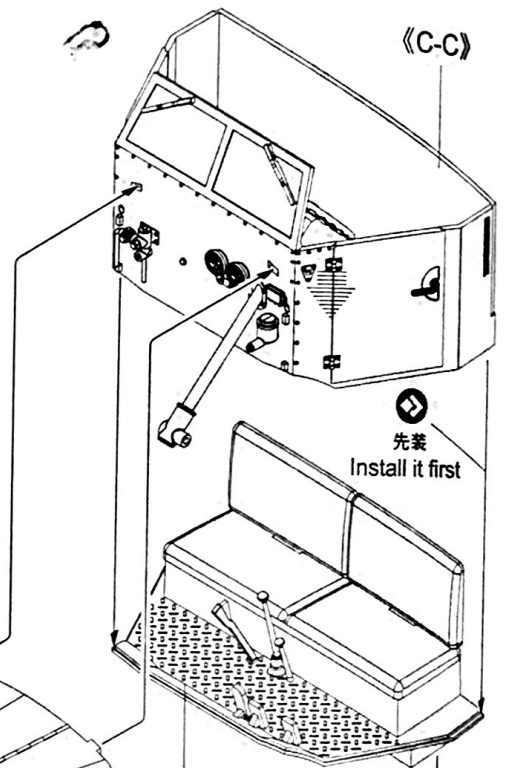
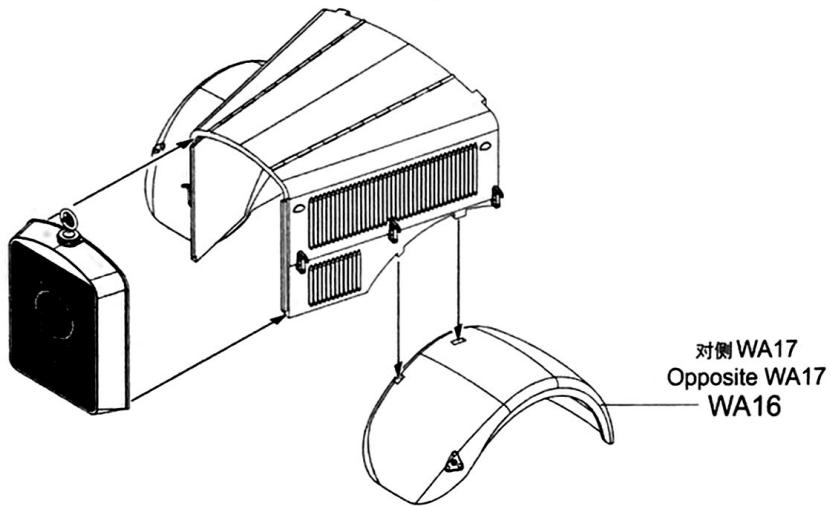
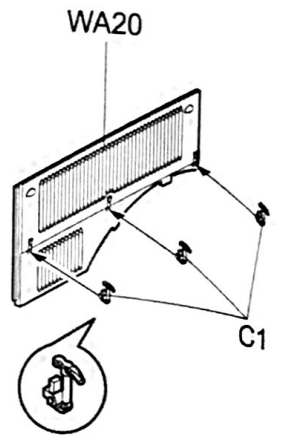
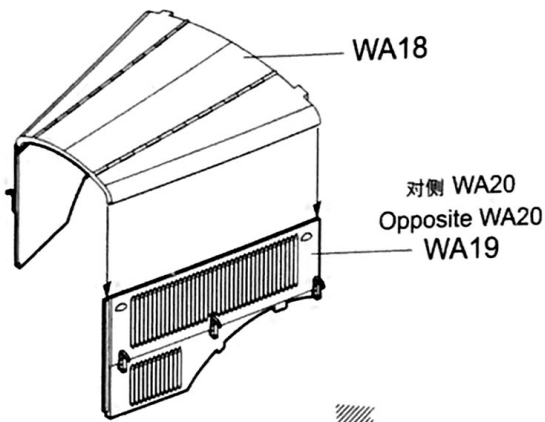
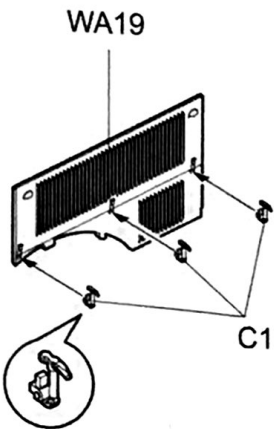
5



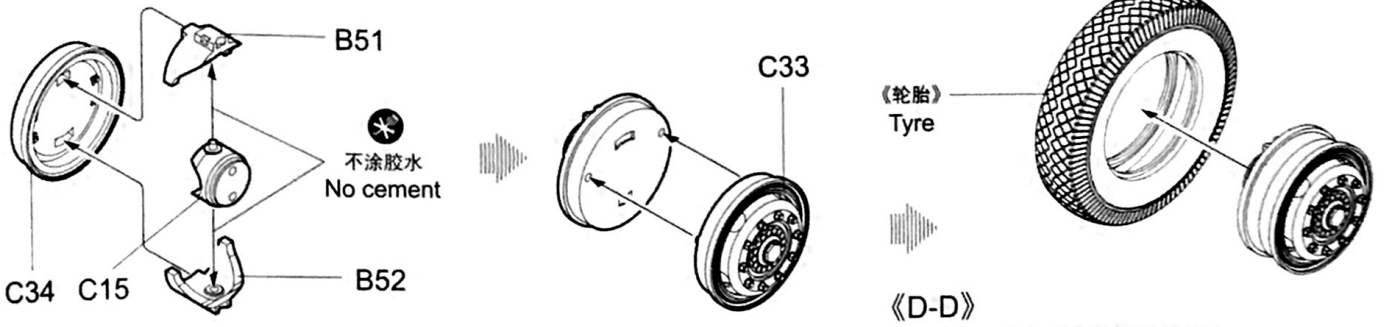
6



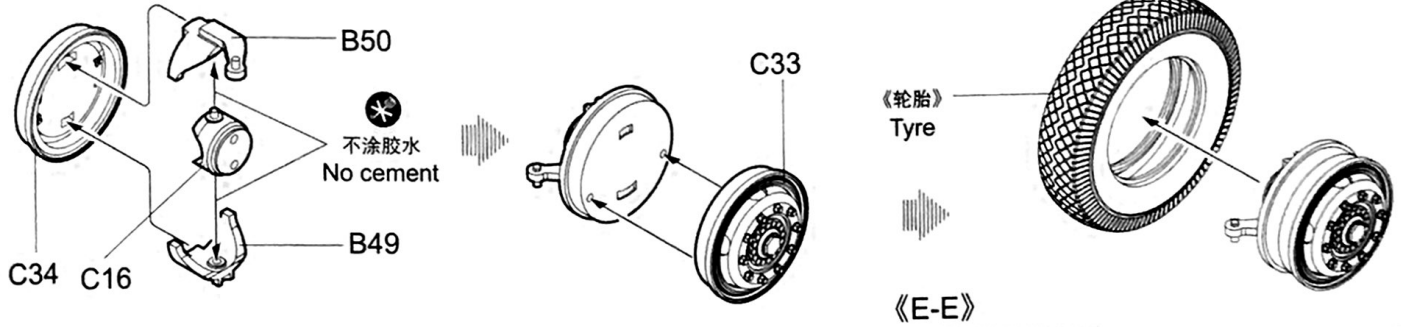
7



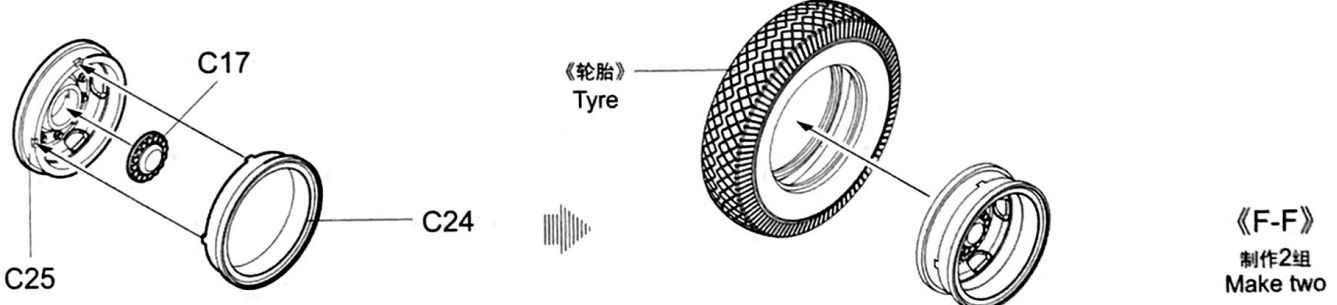
8



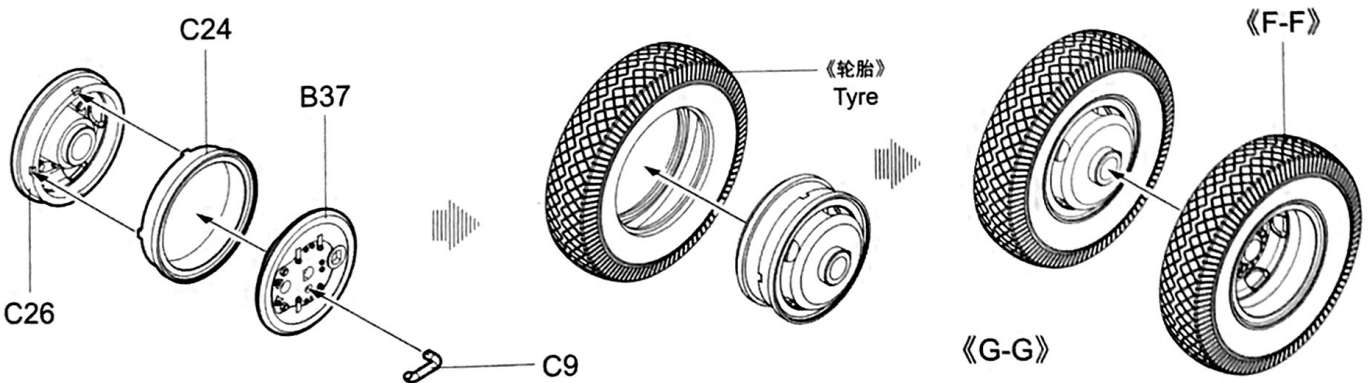
9



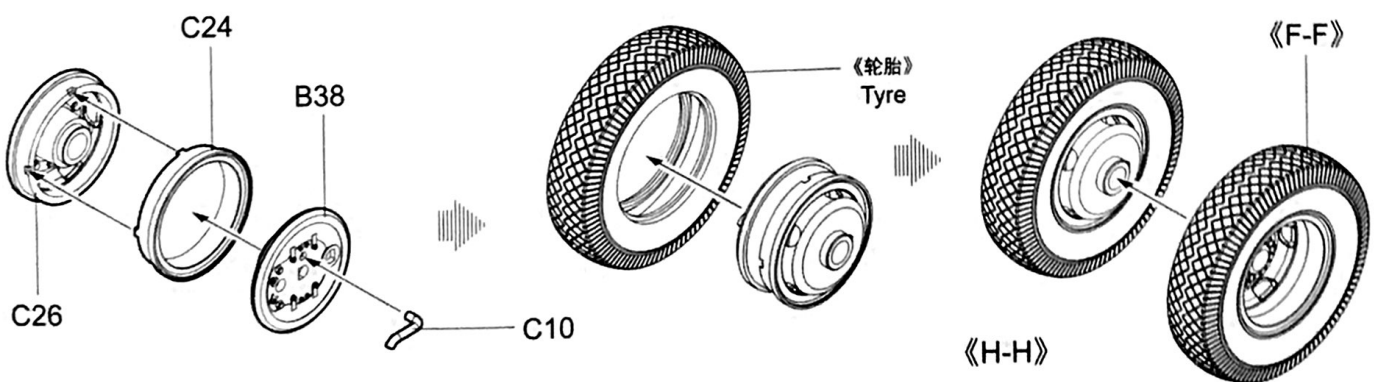
10



11

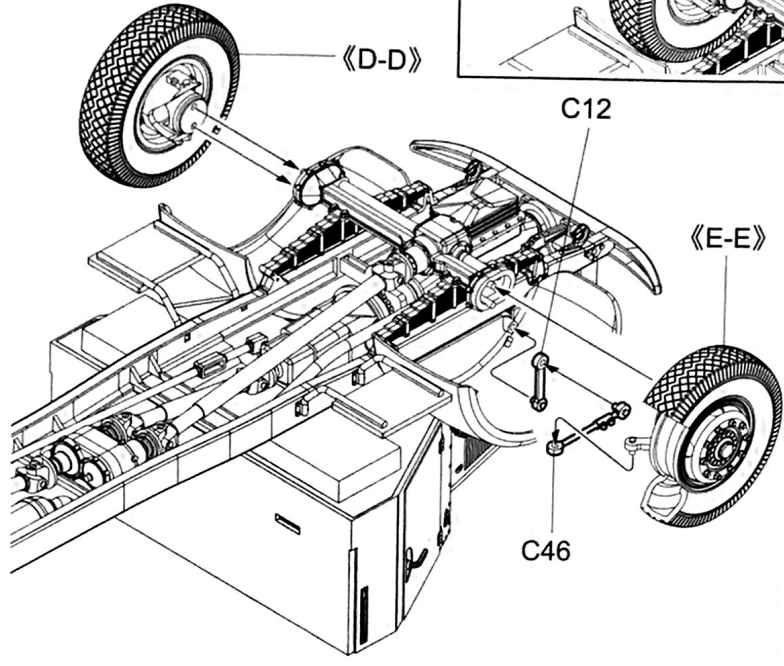
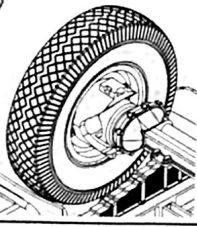


12

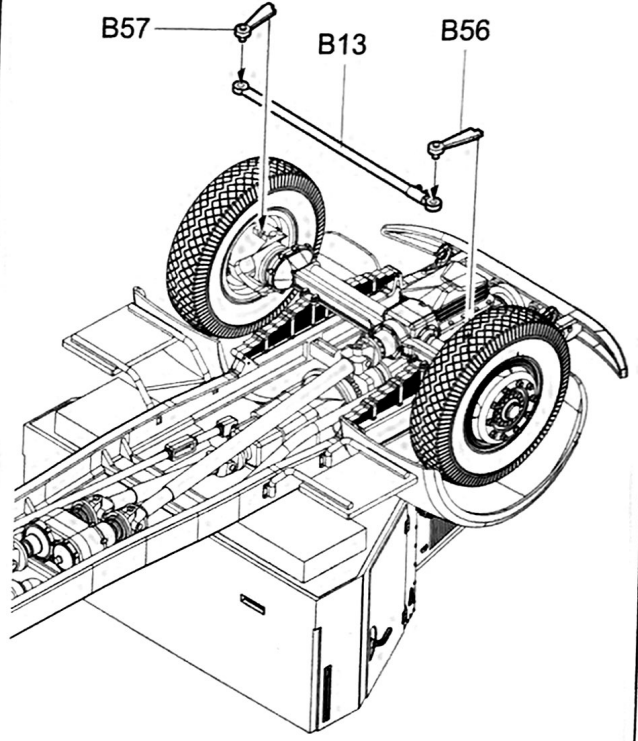


13

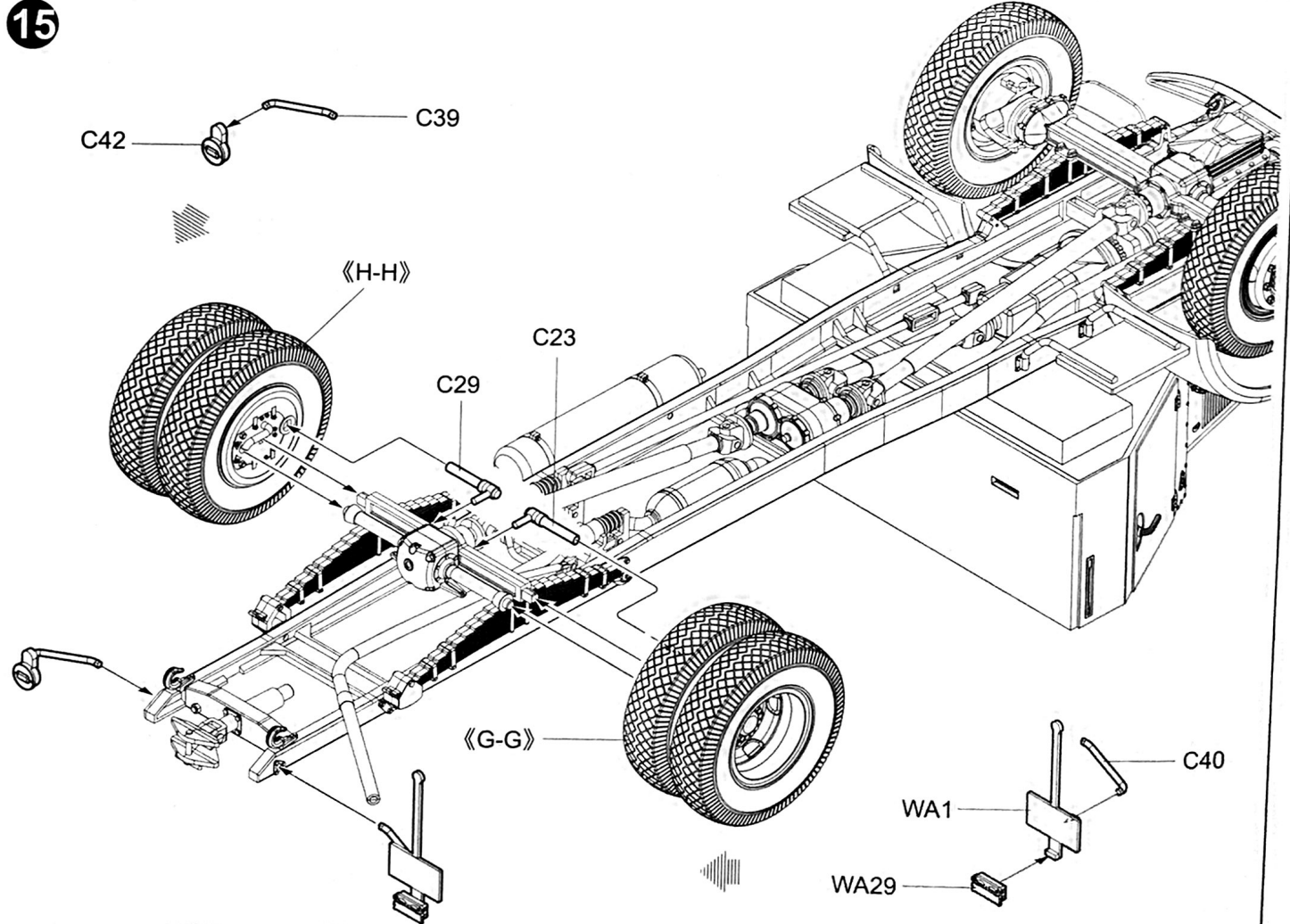
《注意方向》
Note!

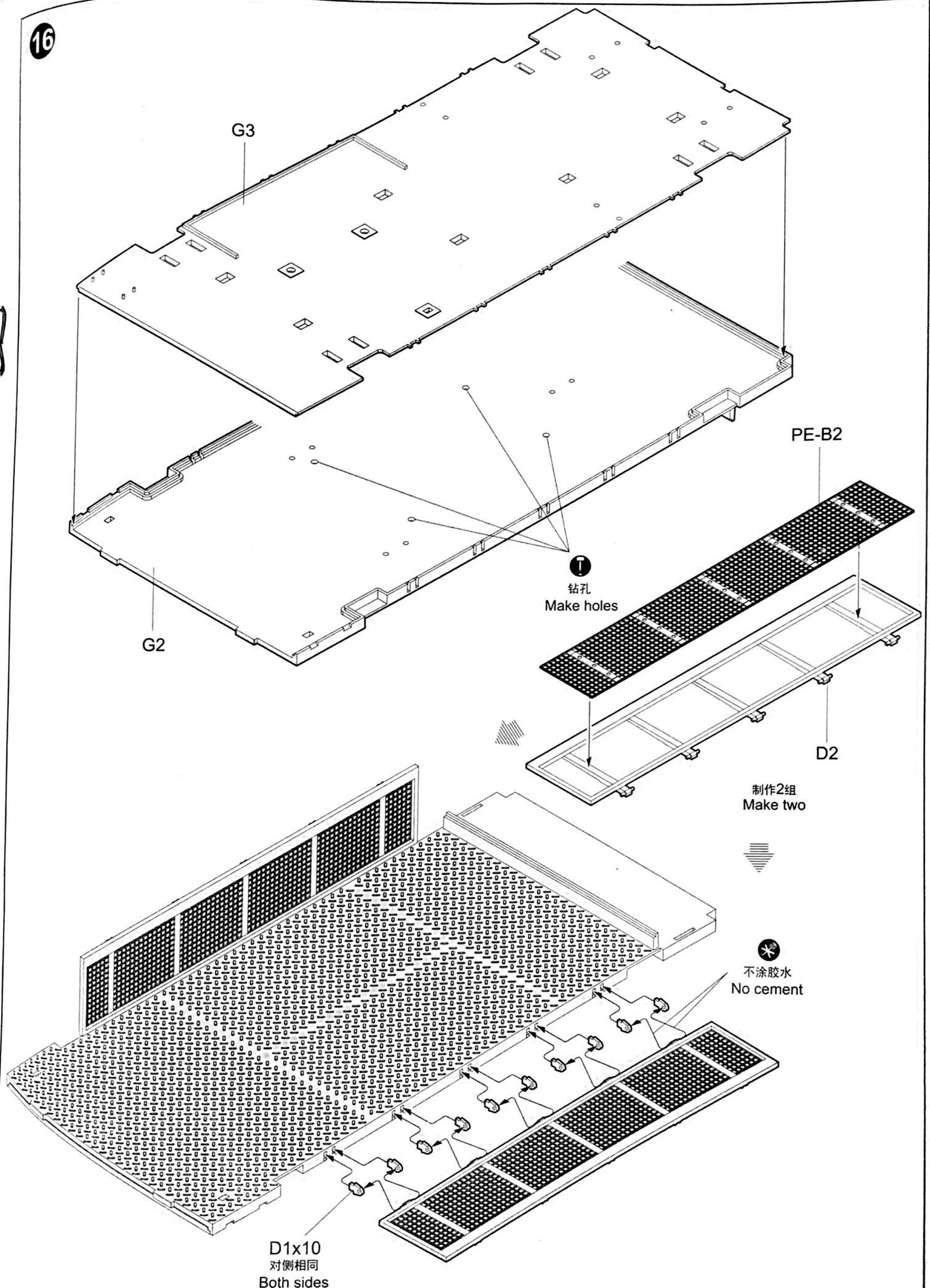


14



15





G3

G2

PE-B2

Ⓣ
钻孔
Make holes

D2

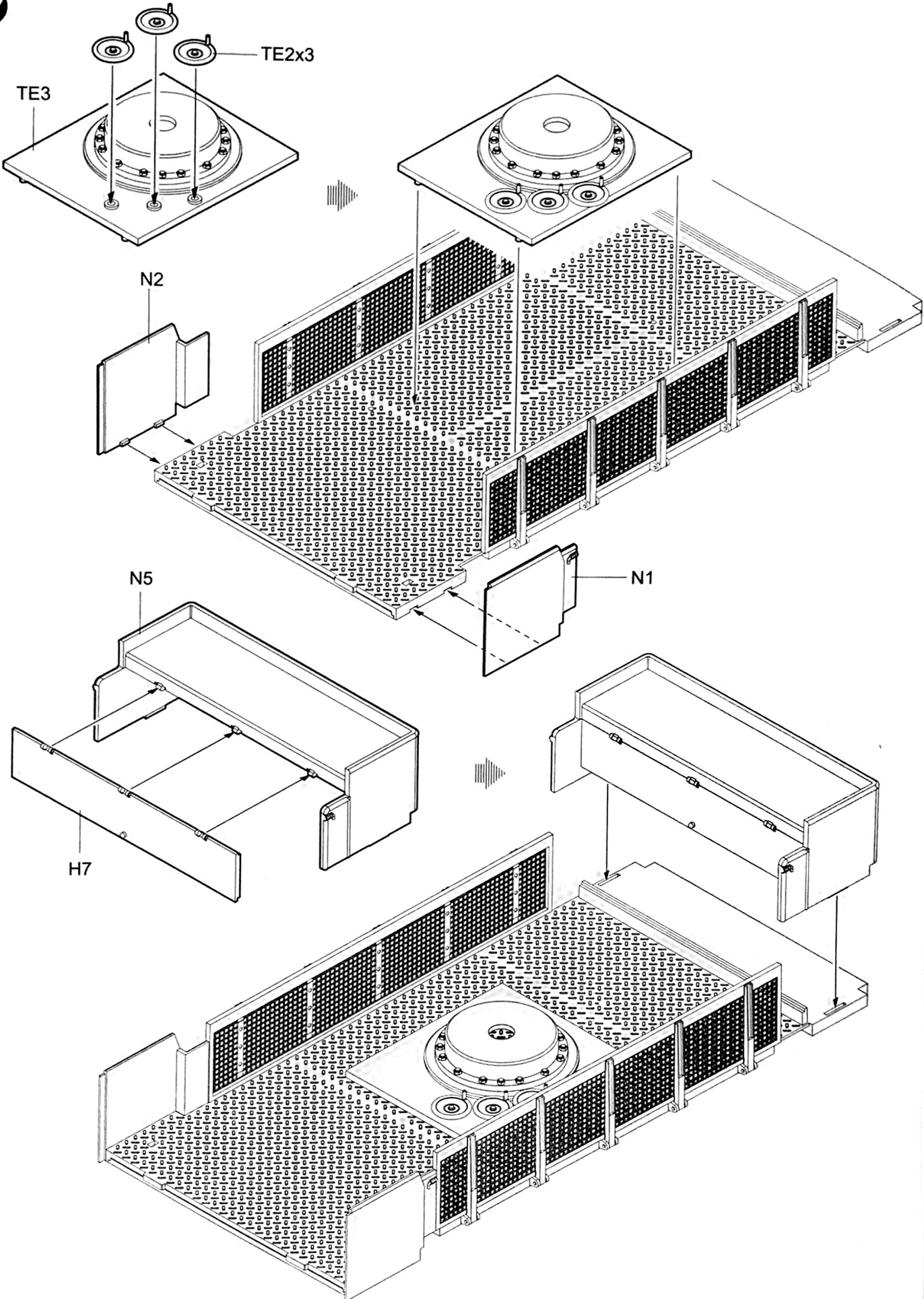
制作2组
Make two



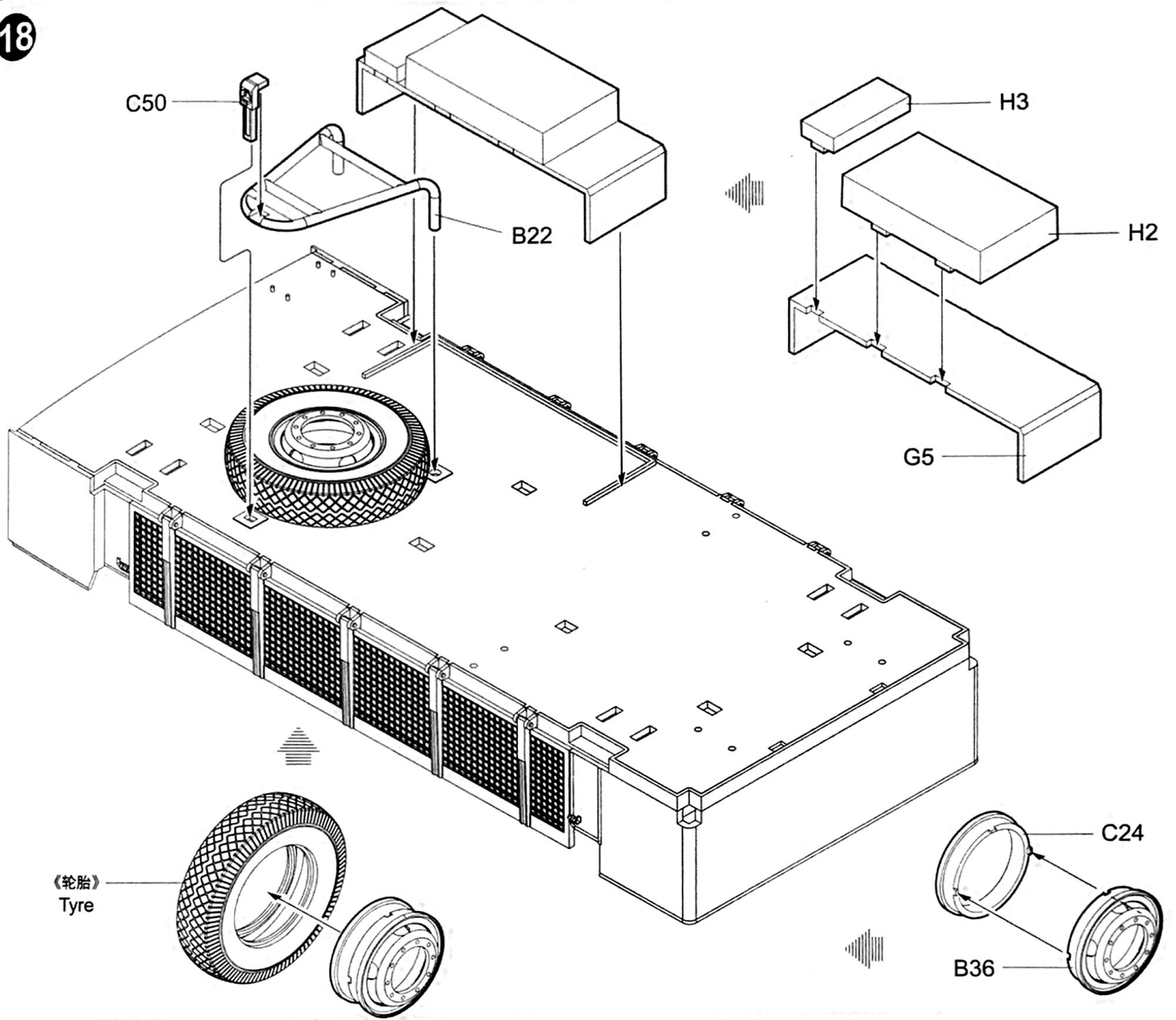
⊛
不涂胶水
No cement

D1x10
对侧相同
Both sides

17

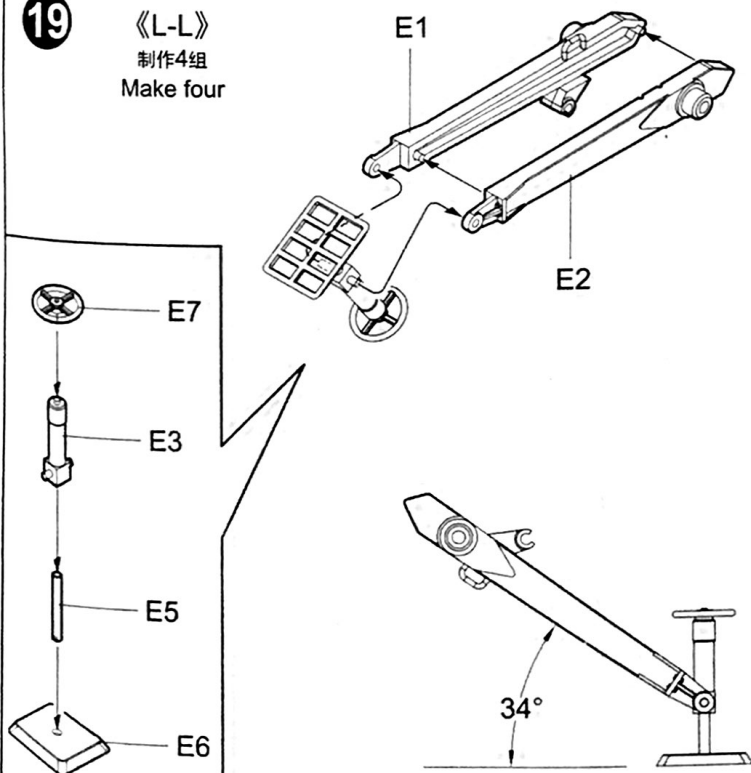


18



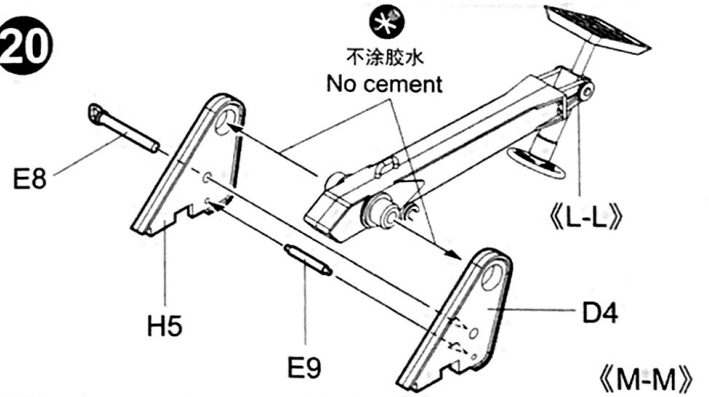
19

《L-L》
制作4组
Make four



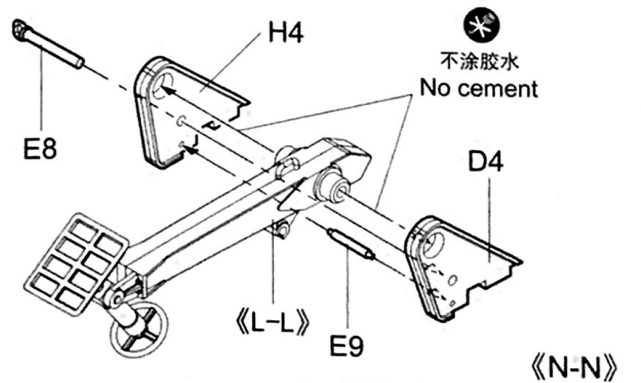
20

*
不涂胶水
No cement

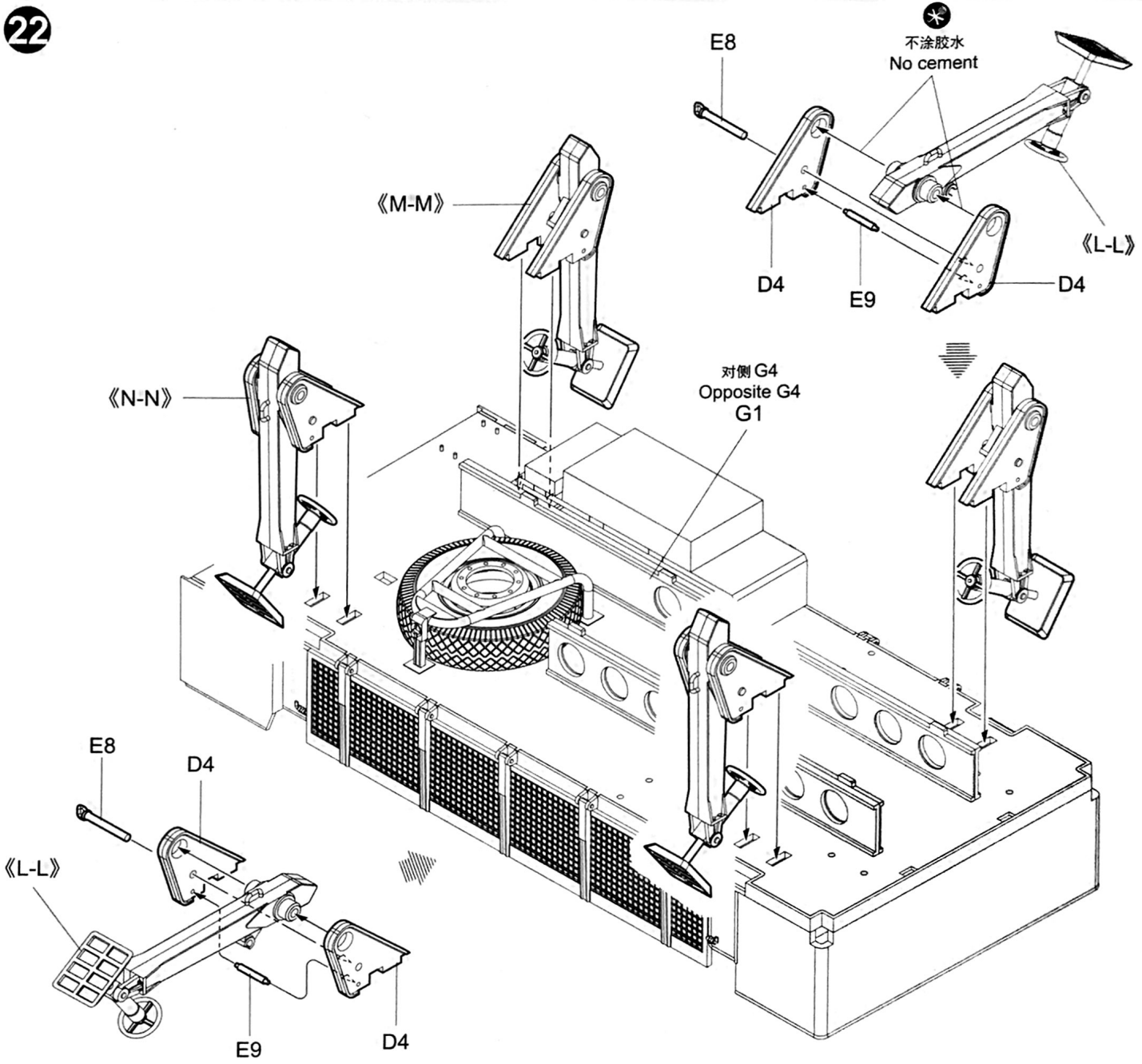


21

*
不涂胶水
No cement



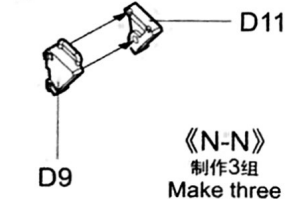
22



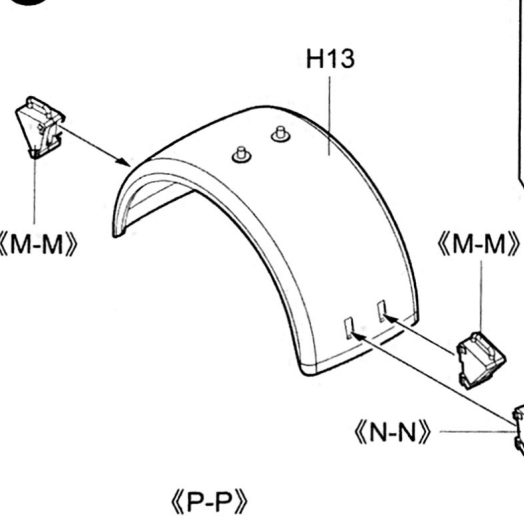
23



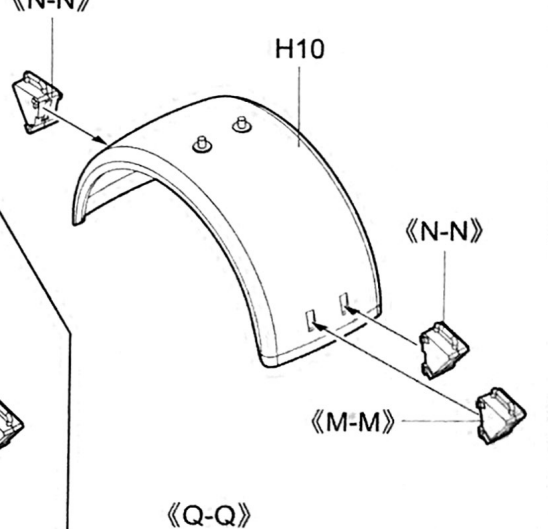
24



25



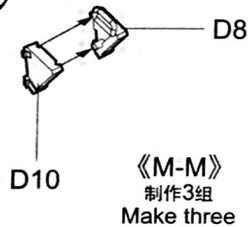
《N-N》



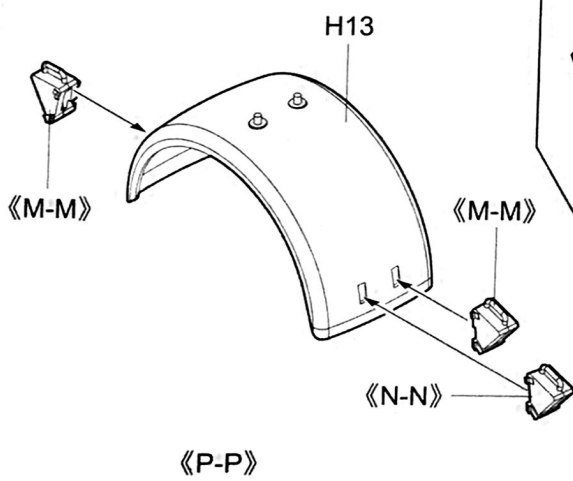
22



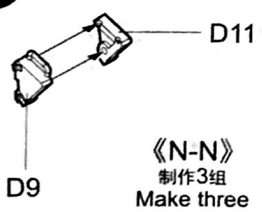
23



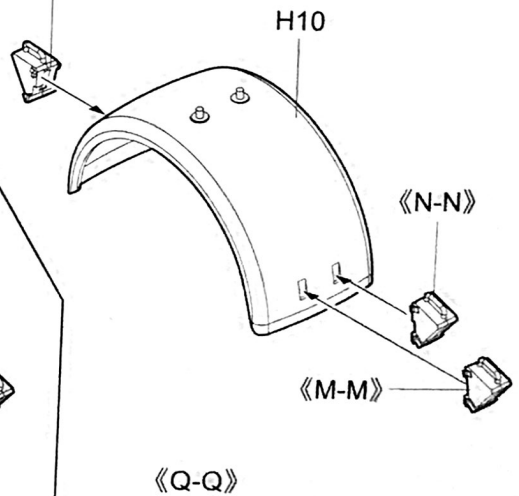
25



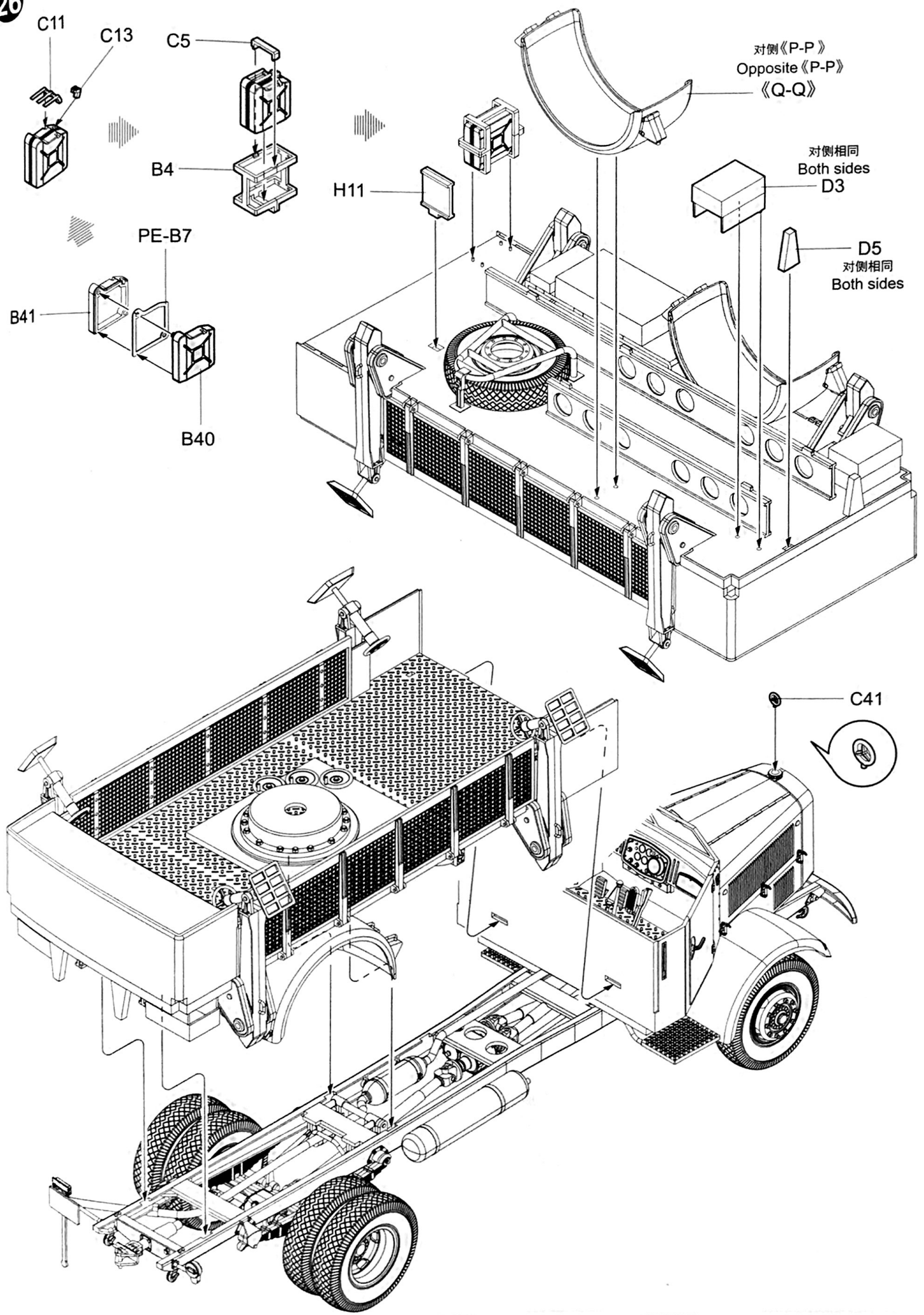
24

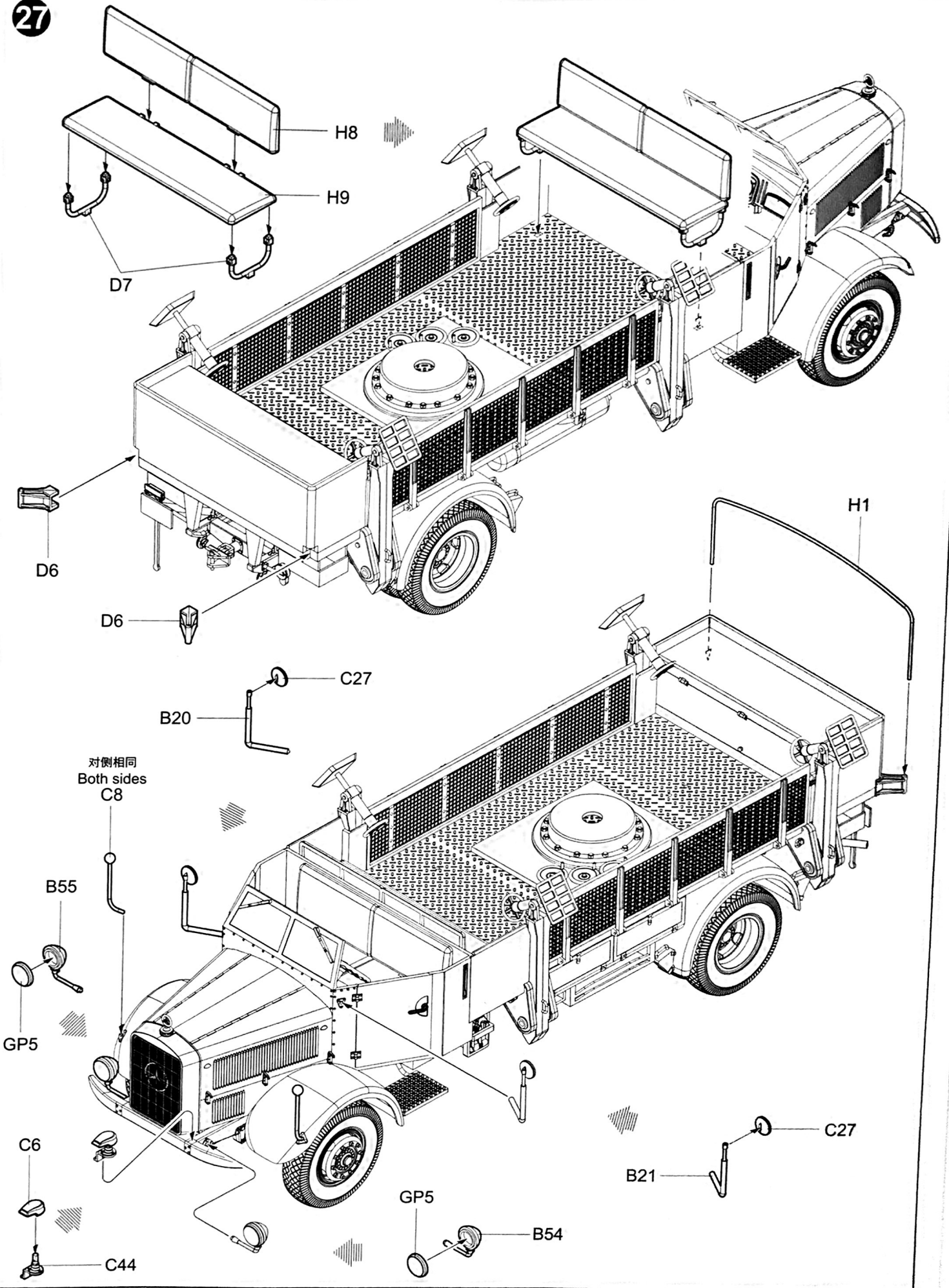


《N-N》

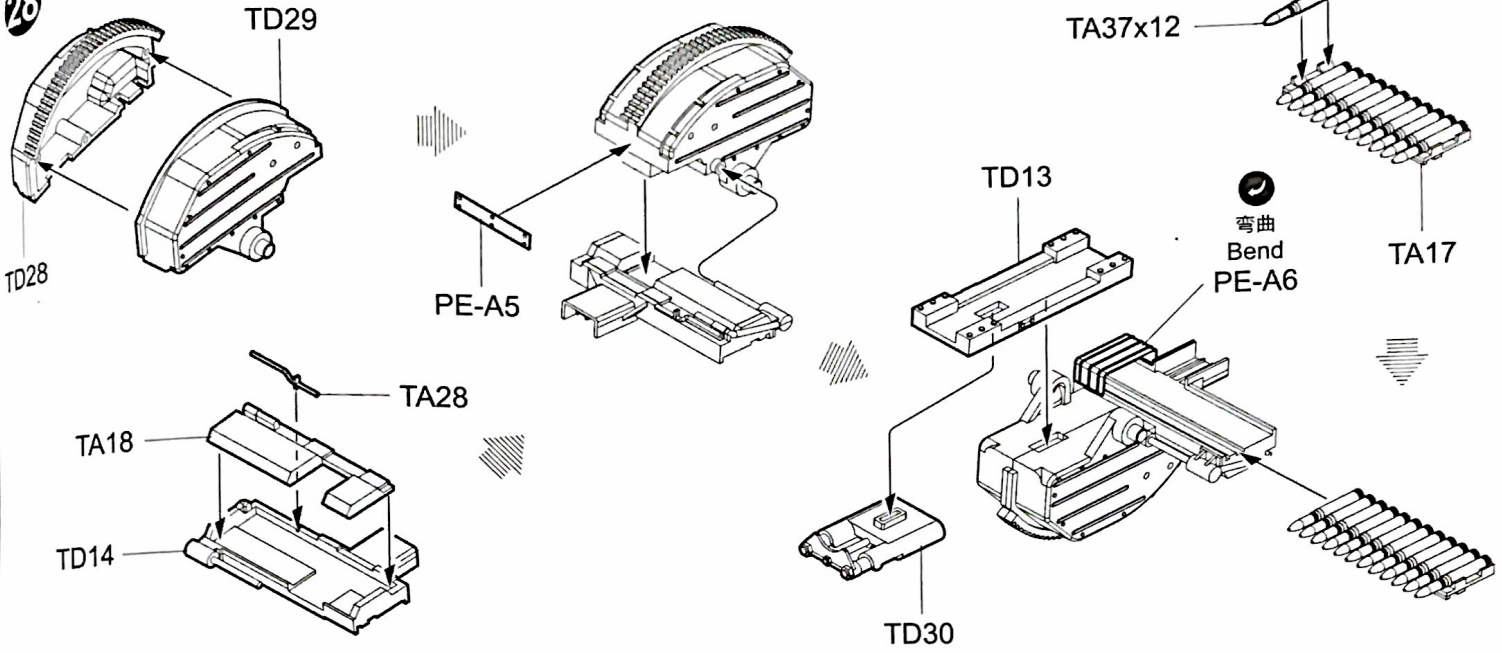


26

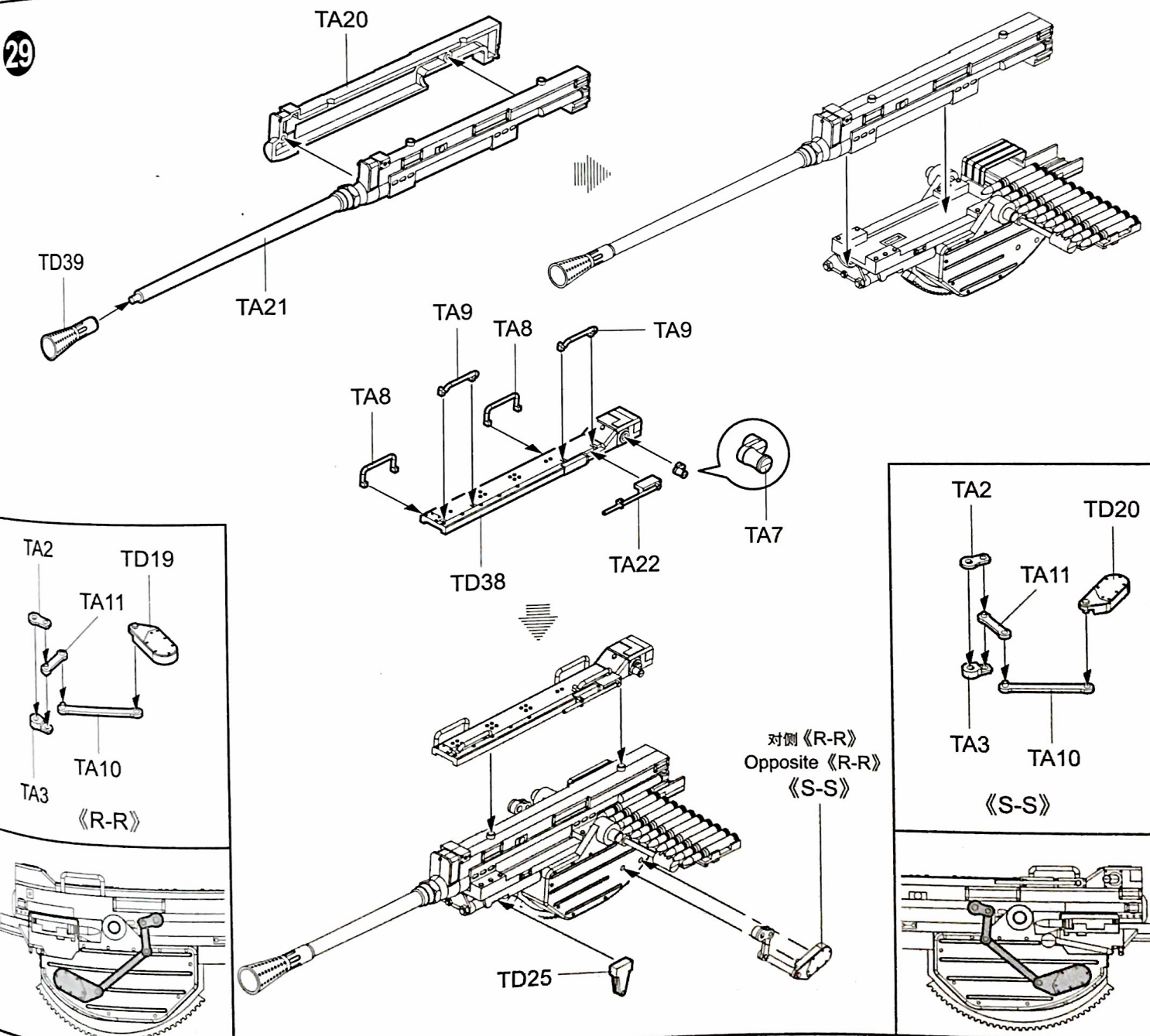




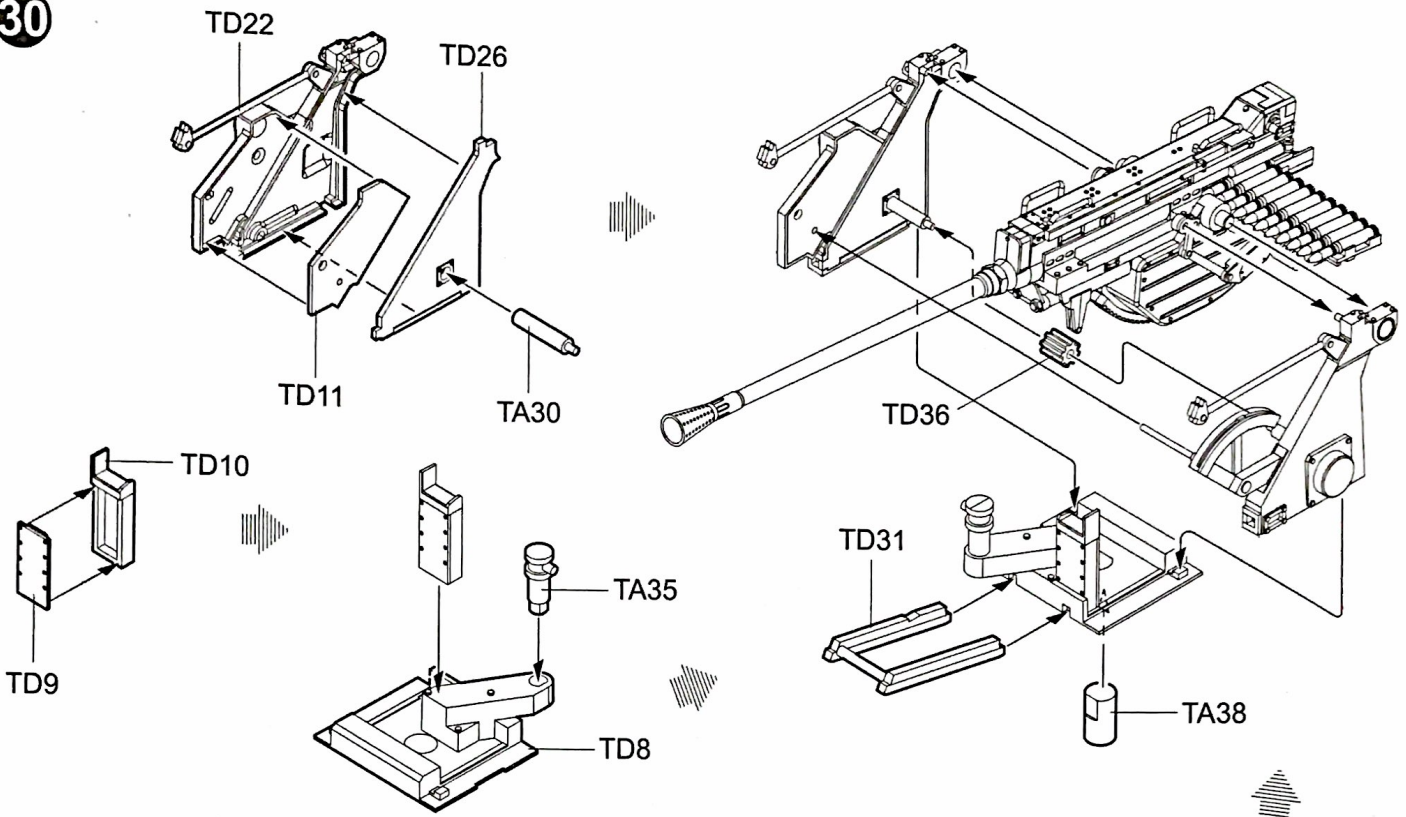
28



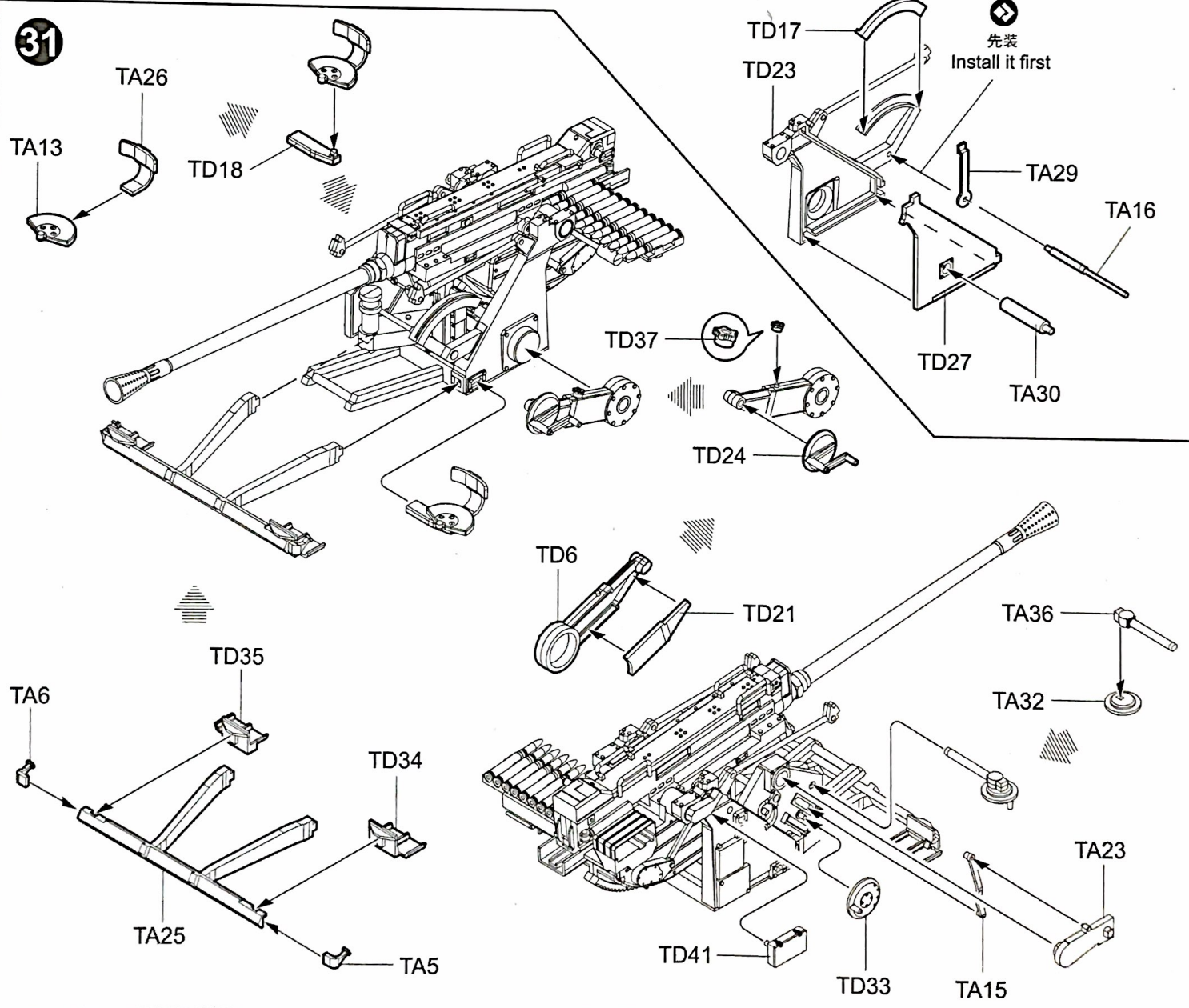
29



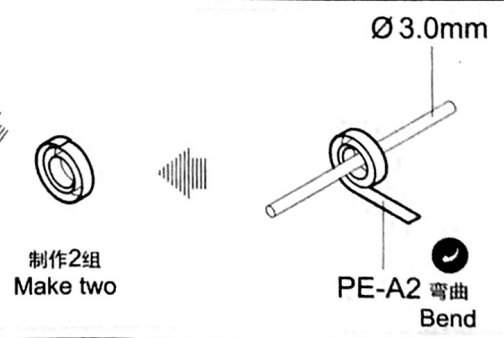
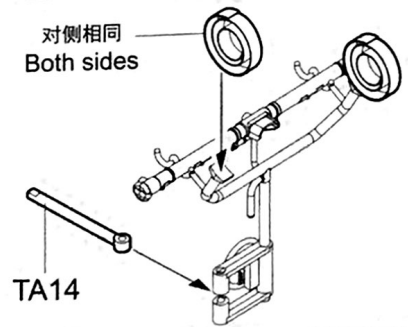
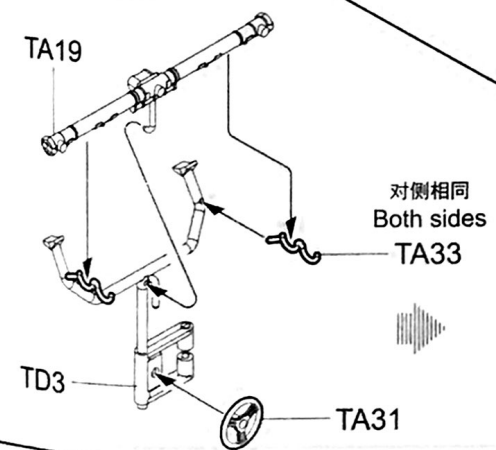
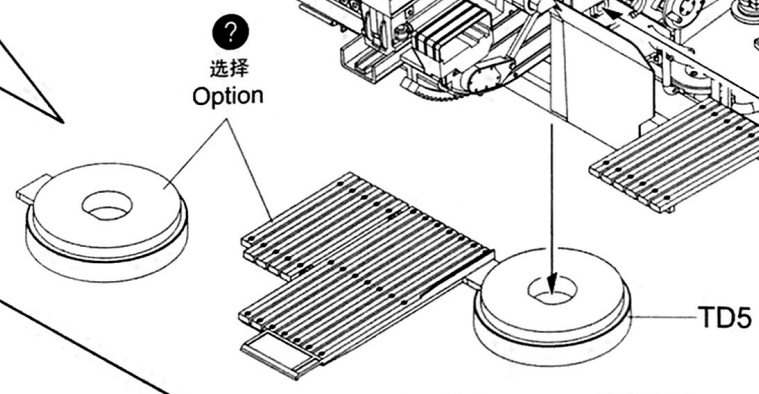
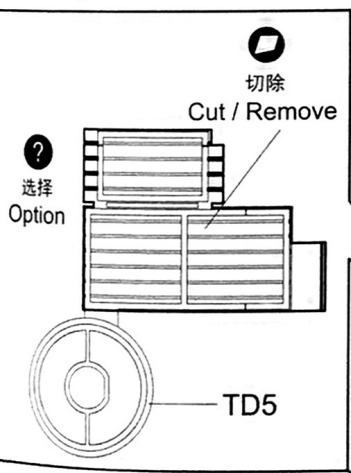
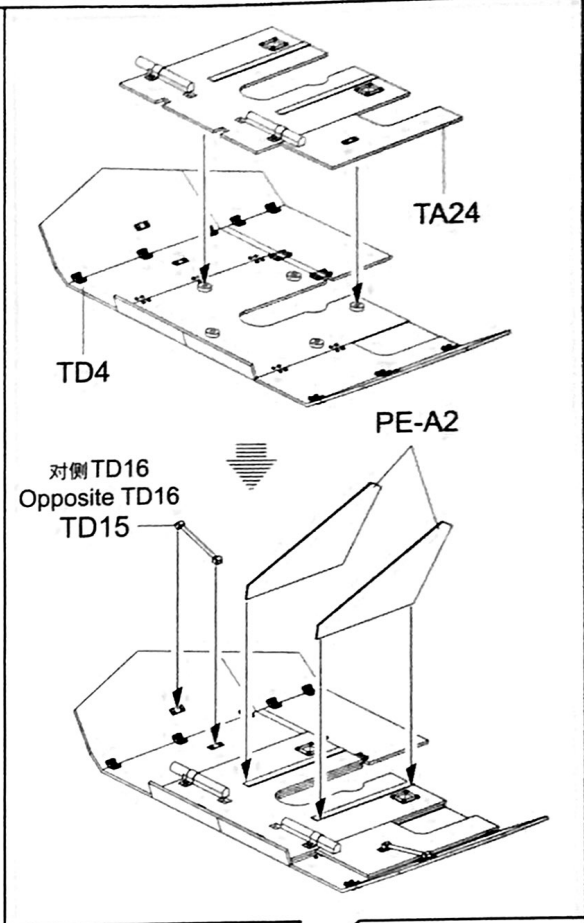
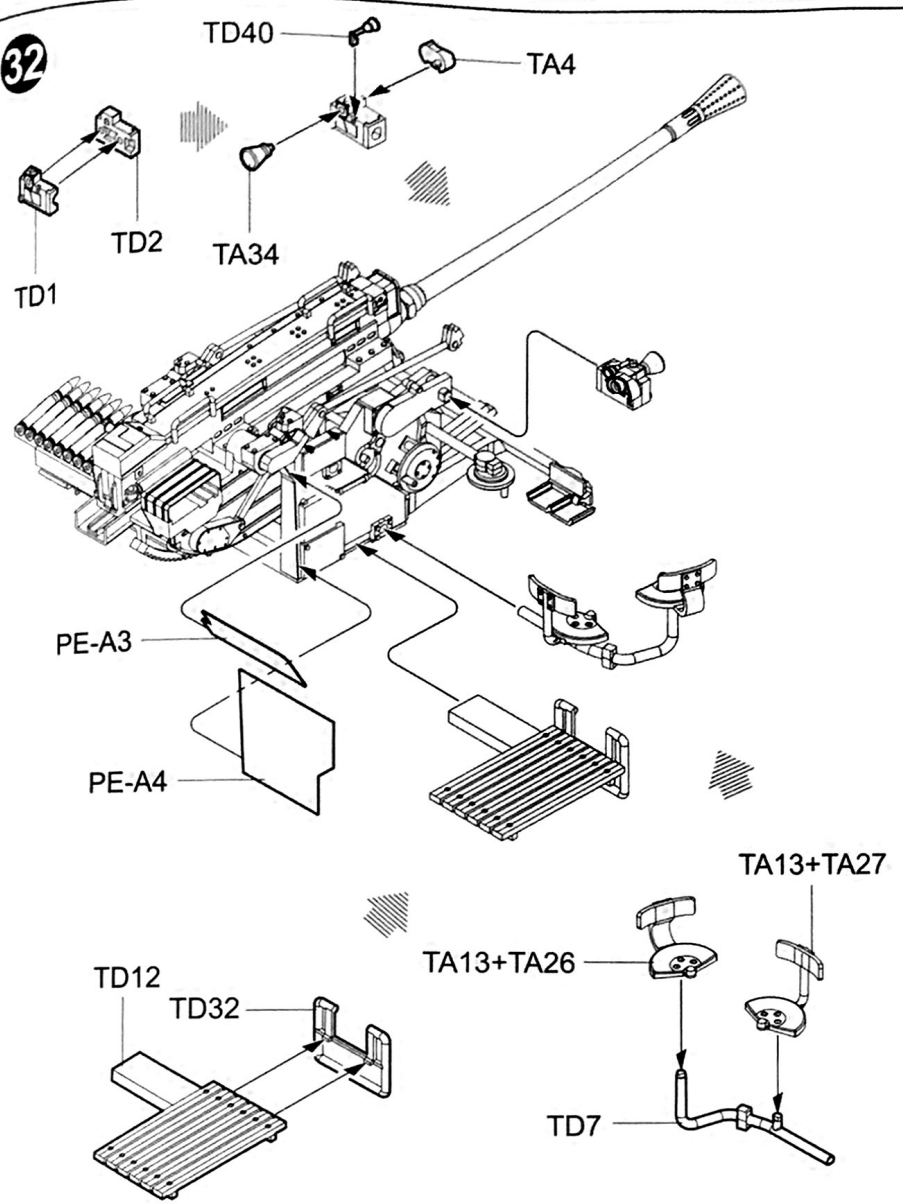
30

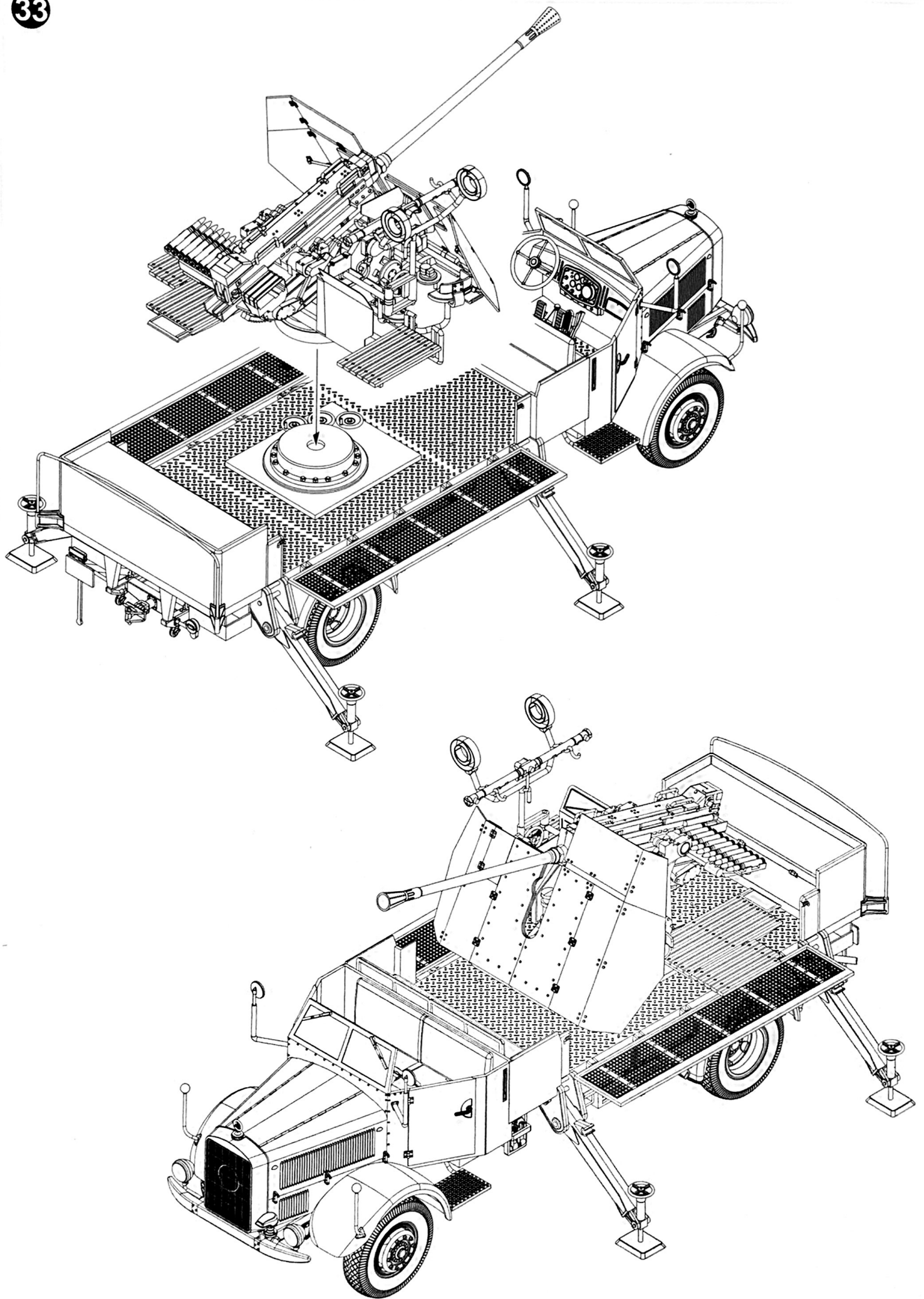


31



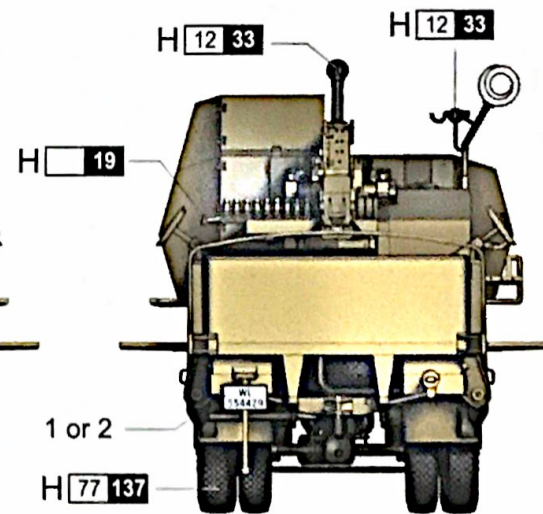
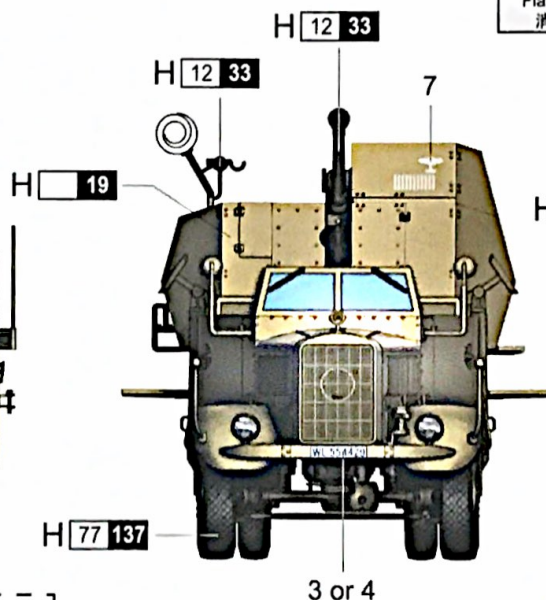
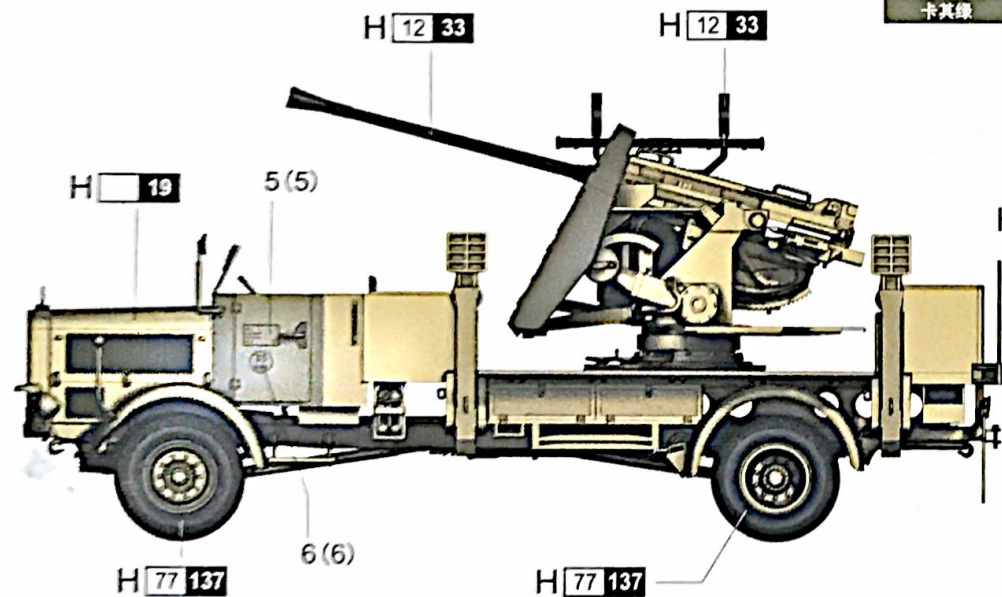
32





涂装同标贴指示 Painting & Marking guide

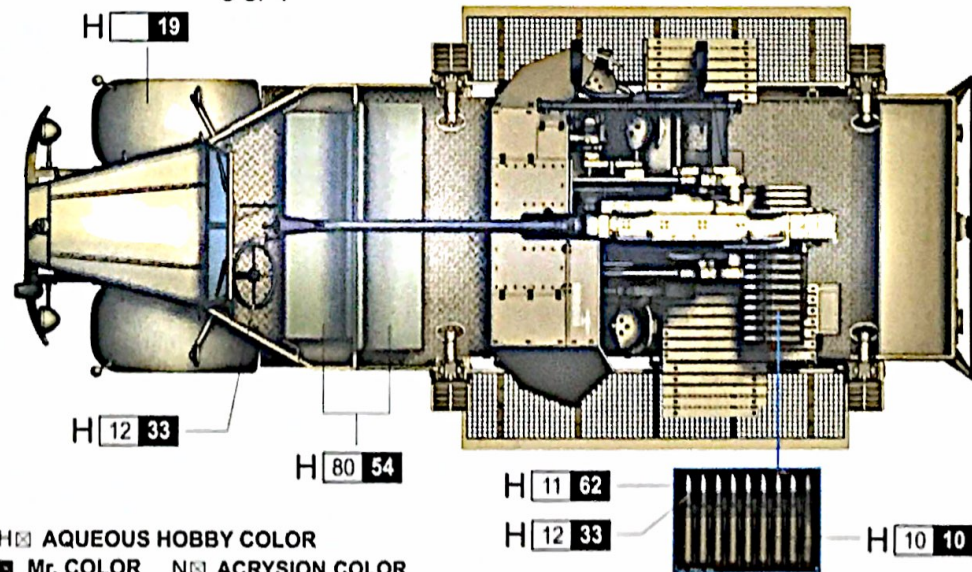
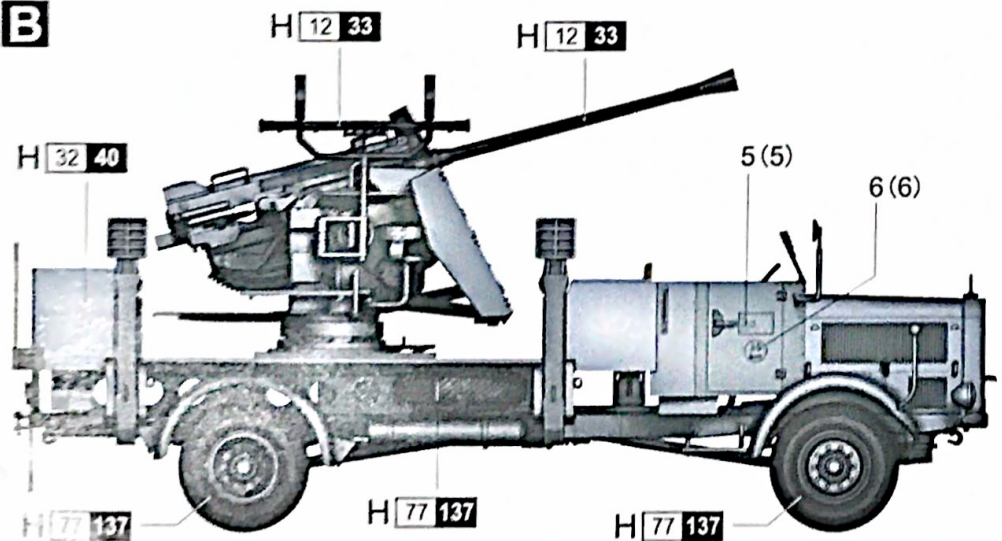
A



PAINT REFERENCE COLOR

Color	Mr.Hobby	Acrycion	Vallejo	Model Master	Tamiya	Humbrol	Color	Mr.Hobby	Acrycion	Vallejo	Model Master	Tamiya	Humbrol
Field Gray 原野灰	H 32 40	N 32	830	—	XF22	111	Sandy Brown 沙褐色	H 19	N	—	—	—	—
Tire Black 胎黑色	H 77 137	N 77	—	—	XF85	—	Copper 铜色	H 10 10	N 10	999	1551	XF6	12
Khaki Green 卡其绿	H 80 54	N 80	924	—	XF51	159	Flat Black 消光黑	H 12 33	N 12	950	1749	XF1	33
							Flat White 消光白	H 11 62	N 11	951	1768	XF2	34

B



H AQUEOUS HOBBY COLOR
■ Mr. COLOR N ACRYSION COLOR