

15U175 TEL of RS-12M1 Topol-M ICBM complex

俄罗斯“白杨”-M型弹道导弹

WSM

READ BEFORE ASSEMBLY:

- This kit is not recommended for inexperienced modelers or for children under 14 years of age
- Study and understand these instructions thoroughly before beginning assembly
- When needed, remove photo-etch parts carefully using a modeling knife or photo etch sprue cutter, being careful not to damage or lose small parts.
- Take extra care in handling photo etch parts in order to avoid injury
- Apply instant cement sparingly to photo etch parts where instructed
- Tools recommended(not included in kit):Plastic and instant cements,sprue cutters,long nose pliers,modeling knife, small files, tweezers, pin vise & scissors. Soft cloth and sandpaper will also assist in construction
- Glue and paint are not included in the kit. Use plastic cement and hobby paints only. Color guide for purchasing paint is included in the kit.
- Keep out of reach of children. They must not be allowed to ingest small parts or handle plastic bags in any way.

* 说明书中含有重要信息，应保留。 Please Keep instruction since it contains important information.

装配之前仔细阅读

- 小心用模型锉刀锉平所有零件表面的注射浇口。
- 小心用刀片切下蚀刻片零件，不要遗失小零件。
- 用强力快干胶水粘合蚀刻片零件和金属轴。过量的快干胶水使用可能导致可动零件会粘住，小心涂胶。
- 取蚀刻片时应特别注意安全，防止利边划伤手指。
- 某些零件表面需贴上水贴纸，请选择在装配的同时进行。
- 推荐模型工具(自备)：胶水，水口剪刀，长咀钳，刀片，锉刀，镊子钳，钻，剪刀，瞬间快干胶。
- 软布同砂纸同时也是所需工具。
- 请使用塑料胶水和油漆，模型内不含。
- 谨防小孩吸吮塑料零件，或者将塑料袋套在头上，制作时应将套材远离小孩接触。
- 本产品不适合14岁以下没有经验的模型爱好者。

水贴纸的使用:

1. 从水贴上剪下印花;
2. 将印花放入温水中浸10秒，然后放在干净布上。
3. 拿着印花纸板将印花移到模型上;
4. 手指蘸水将印花移到适当的位置;
5. 用软布轻压印花直至水干，气泡消失。

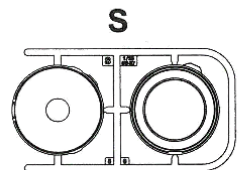
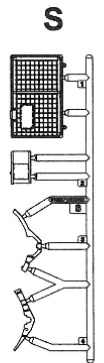
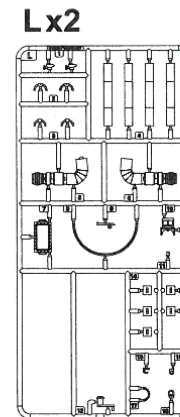
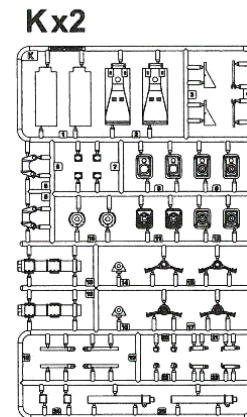
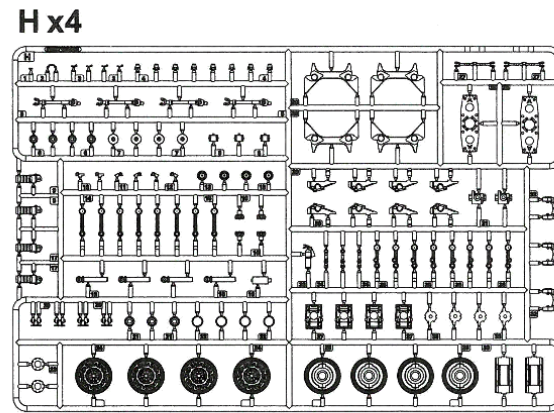
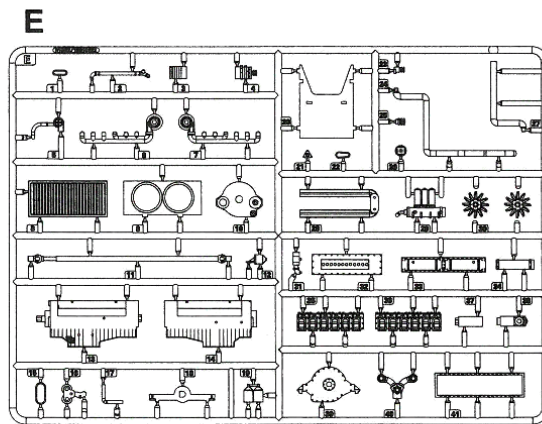
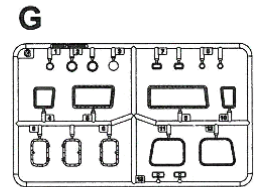
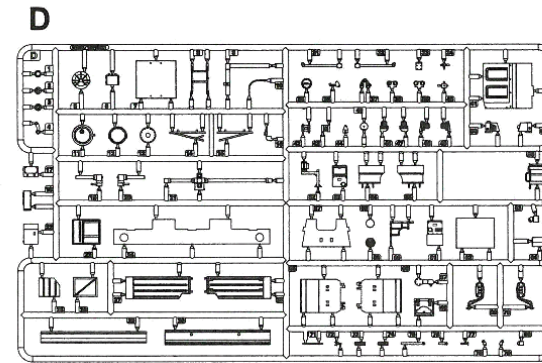
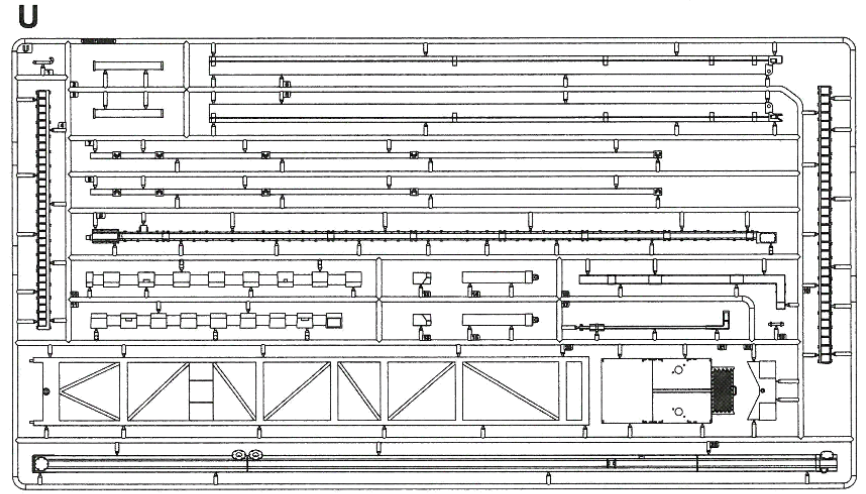
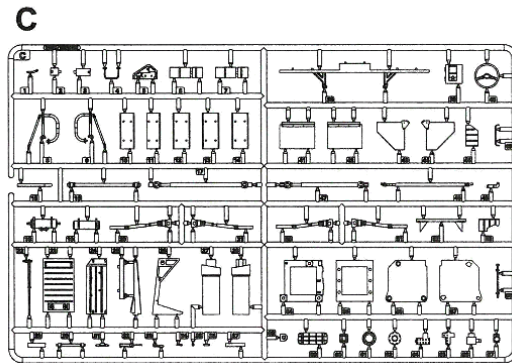
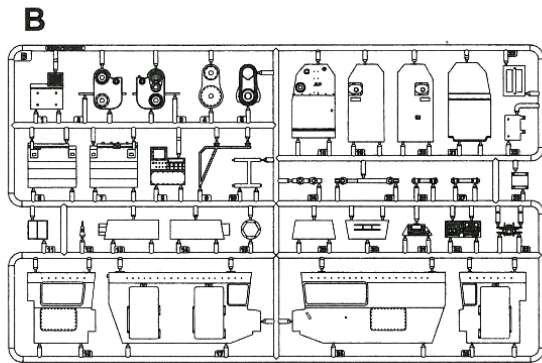
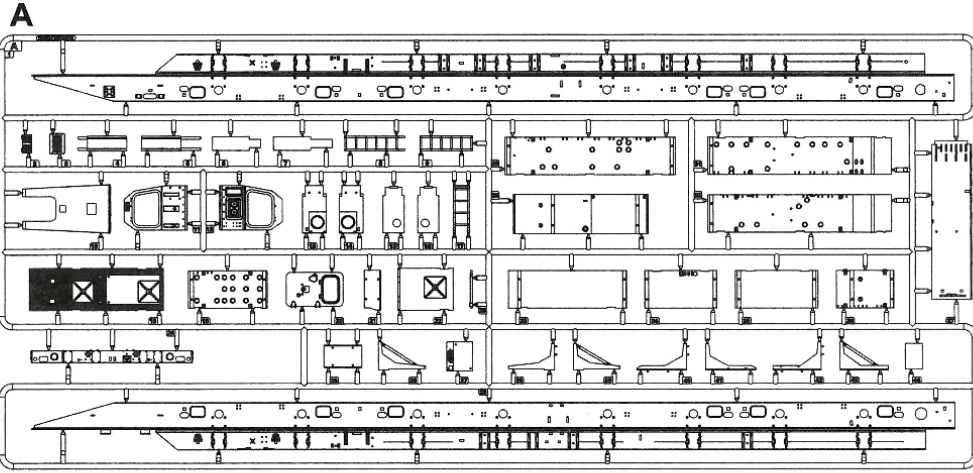
DECAL APPLICATION:

1. Cut decals from sheet as needed
2. Dip the decal in warm water for about 10 seconds and then place on soft clean cloth.
3. Hold the decal backing sheet edge and gently slide the decal onto the model in its proper position.

4. While still wet,decal can be adjusted for better fit on model by dampening it gently with your finger.
5. When placed in the proper position,gently press decal down with a soft cloth until excess water and air bubbles are gone.
6. Allow decal to dry completely before handling model

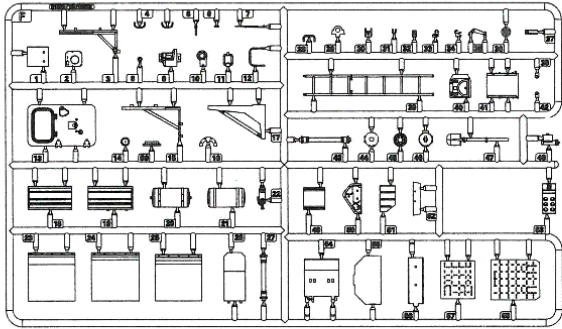


部品图
Parts

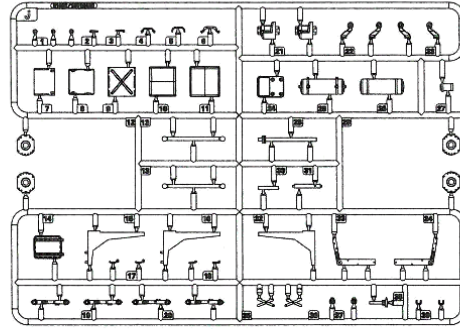


部品图
Parts

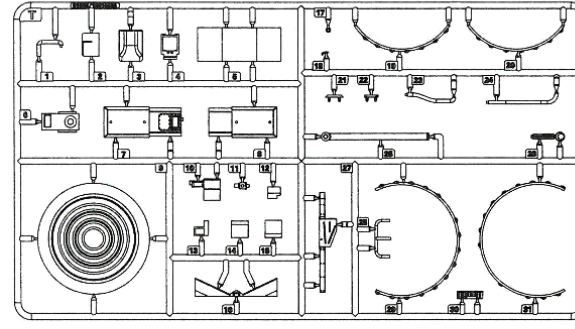
Fx2



Jx3



T



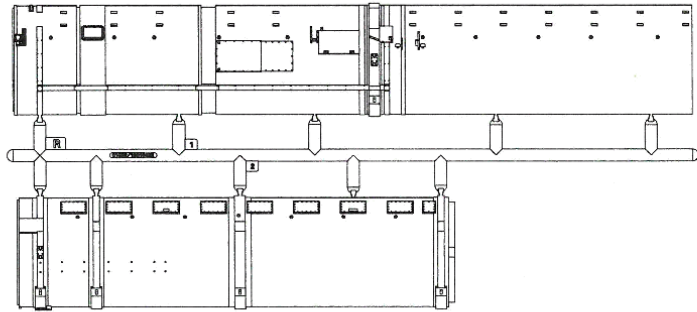
《金属管》 x4
Metal



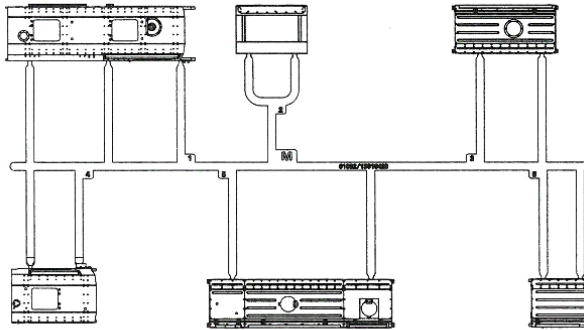
《轮胎》 x16
Tyre



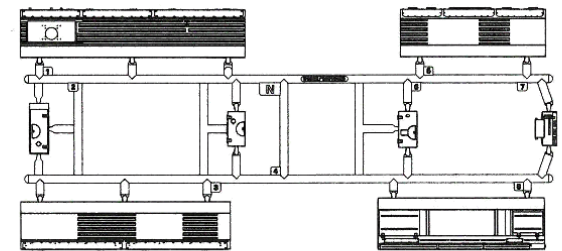
R



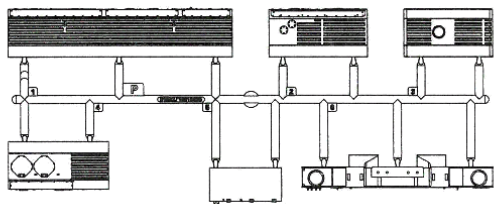
M



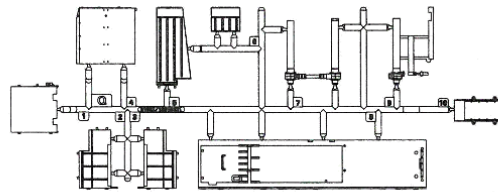
N



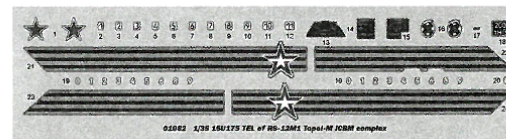
P



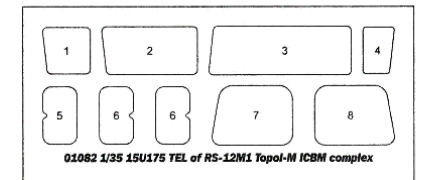
Q



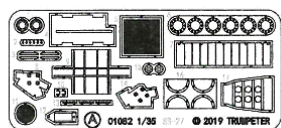
《水贴》
Decal



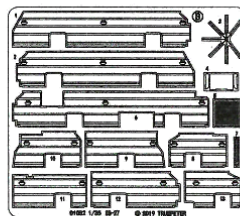
《遮盖纸》
Die-cut mask



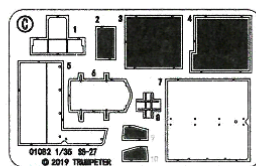
PE -Ax2



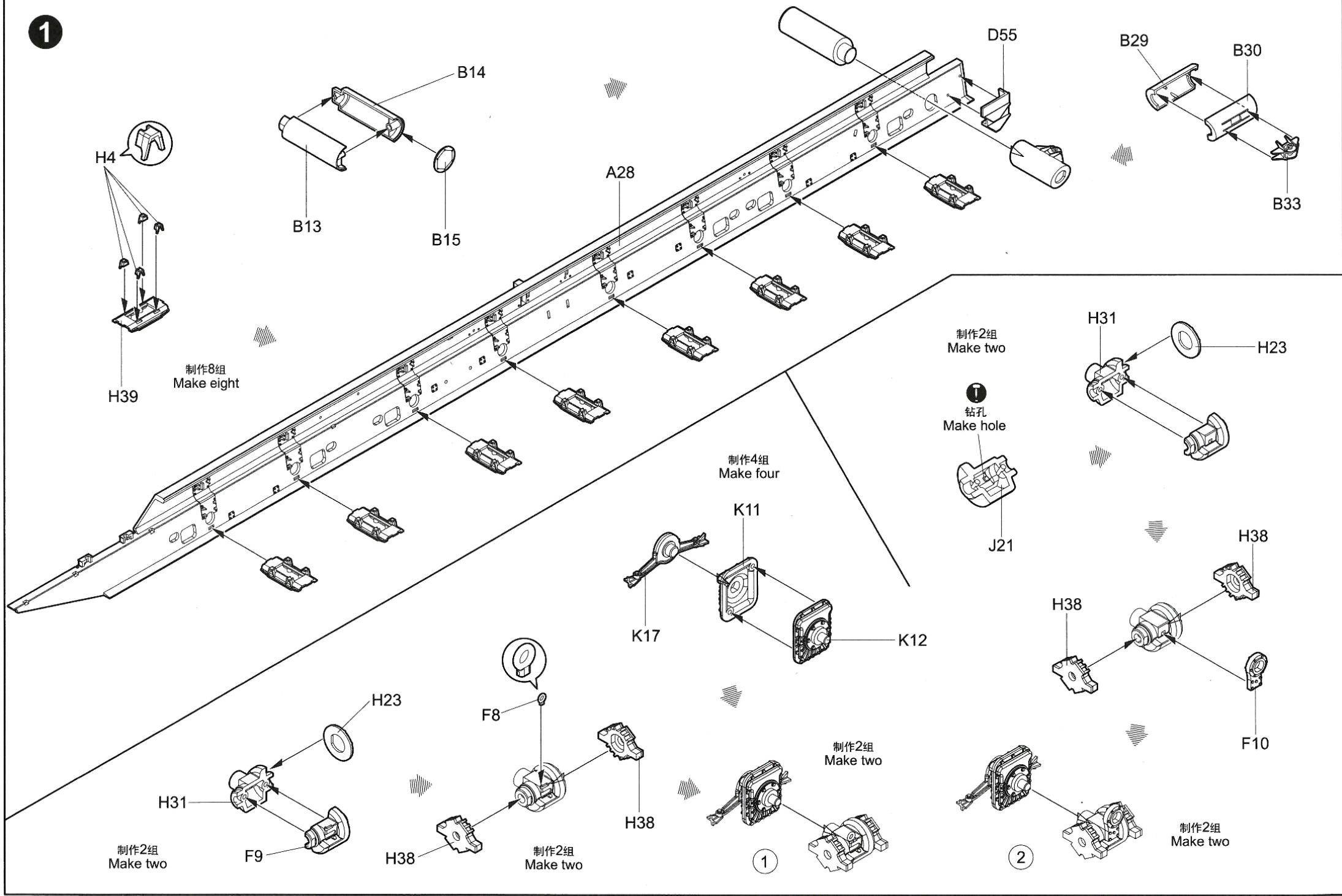
PE -B



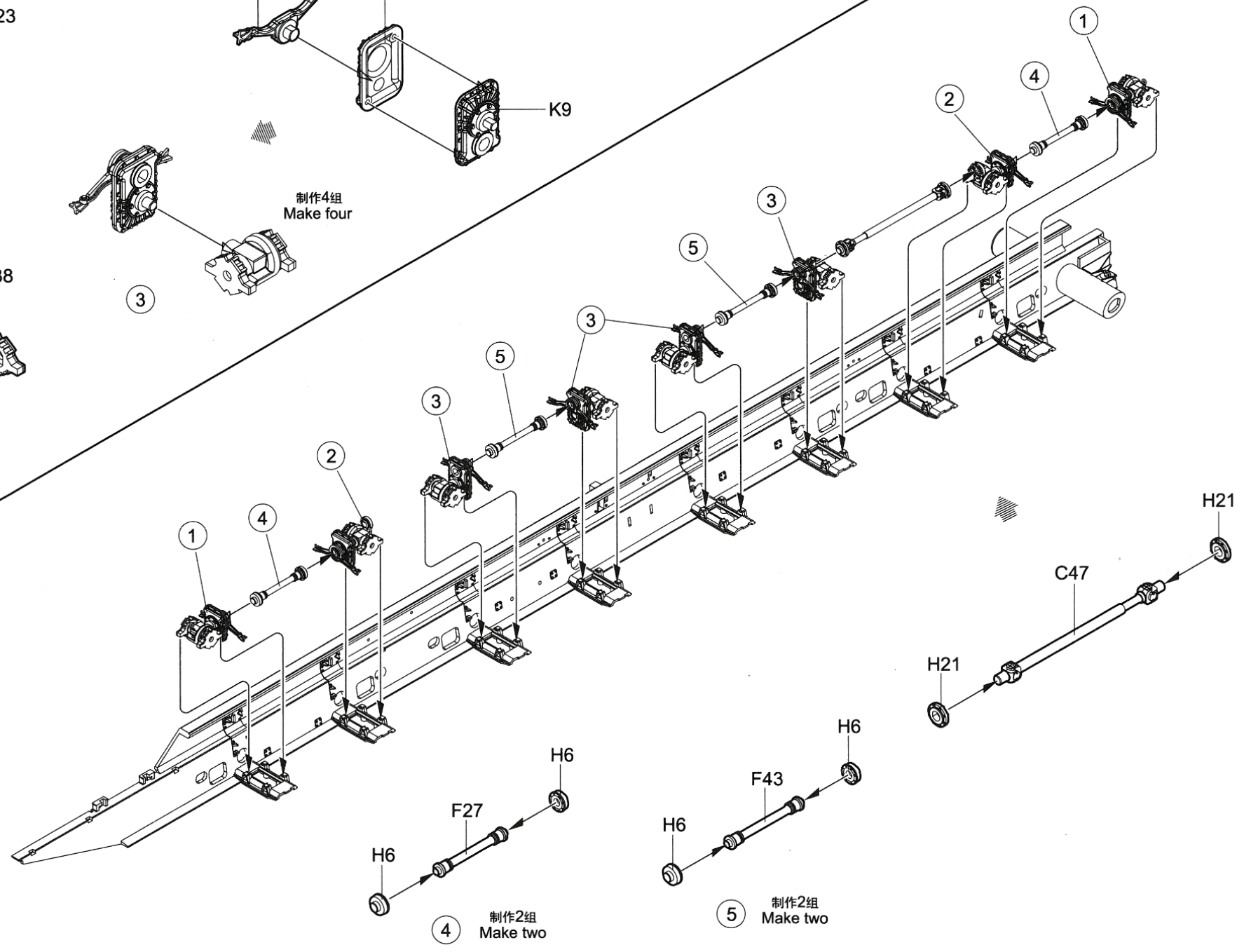
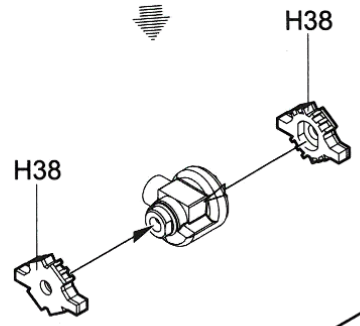
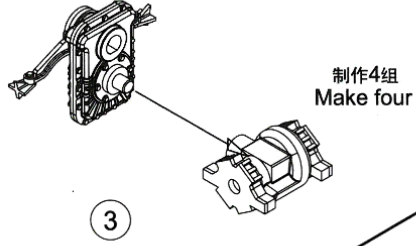
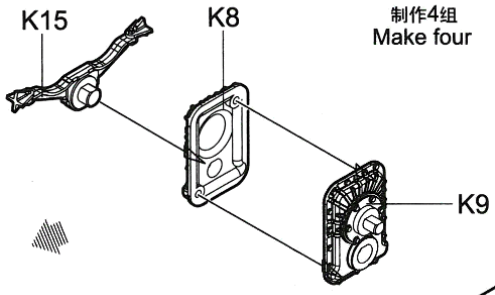
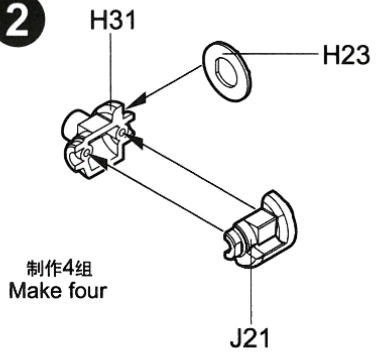
PE -C



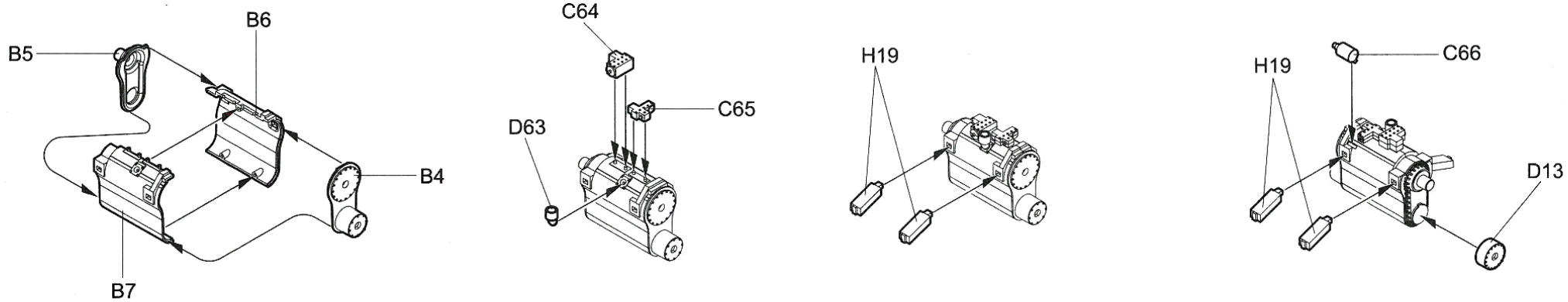
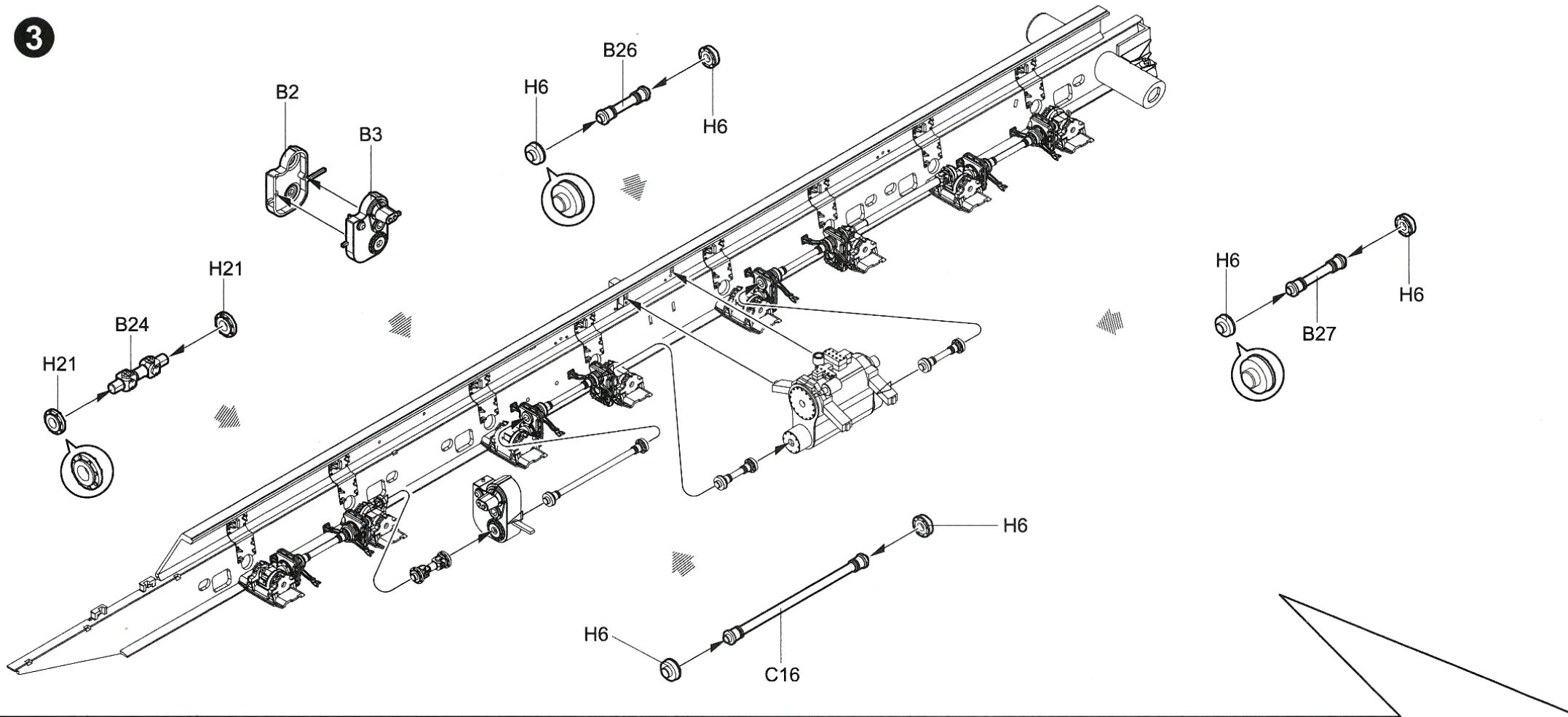
1



2



3

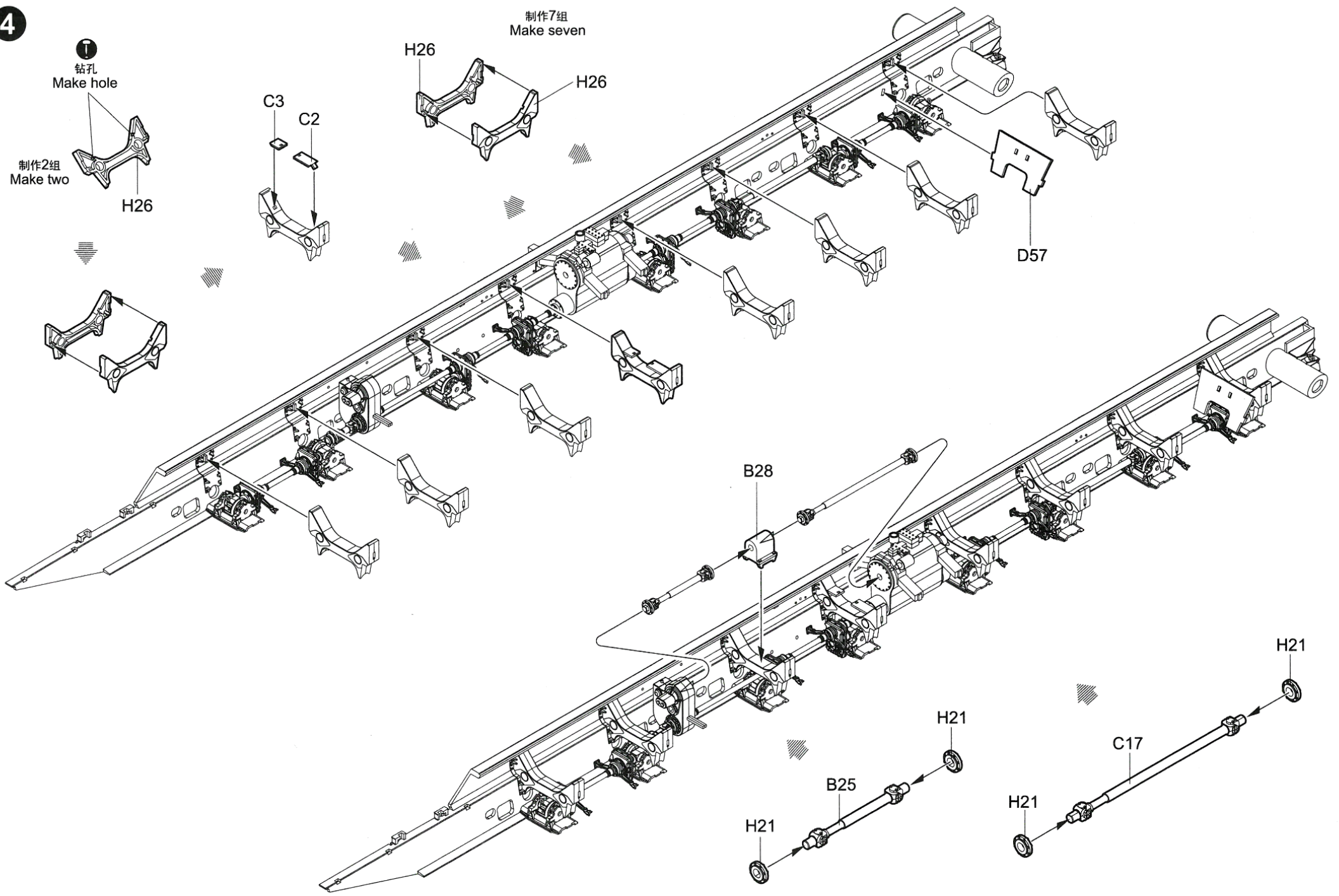


4

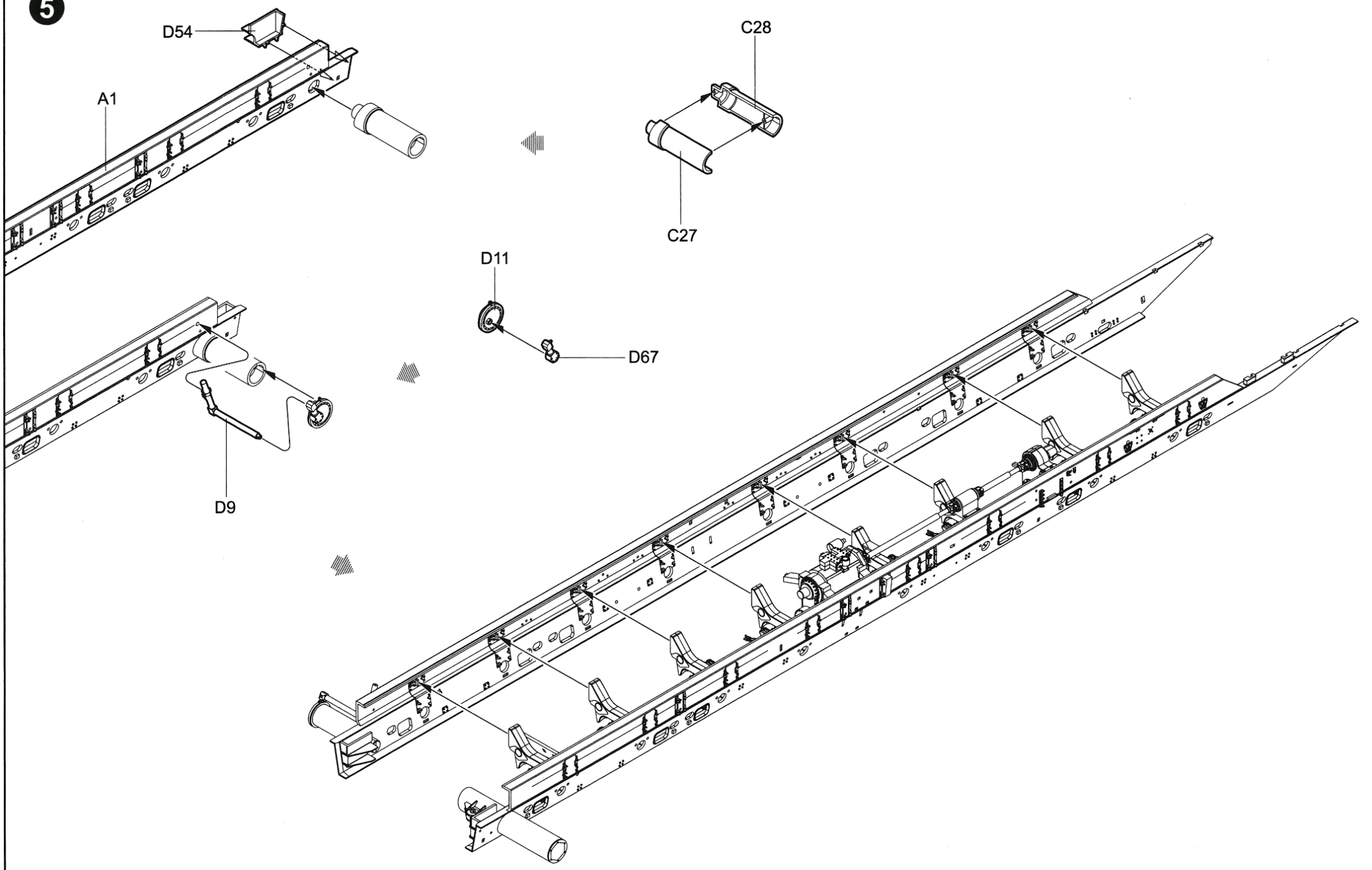
制作7组
Make seven

Ⓡ
钻孔
Make hole

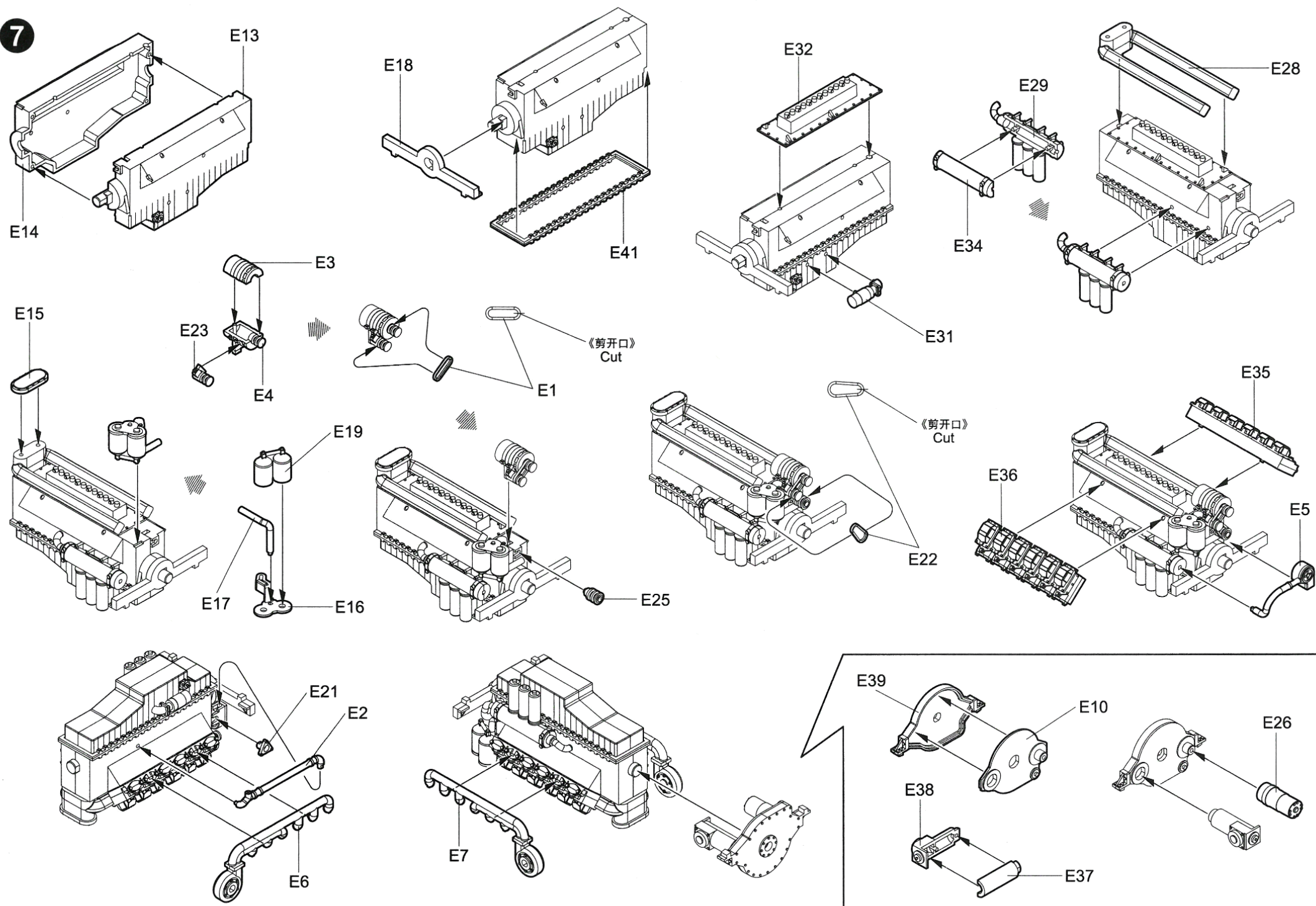
制作2组
Make two



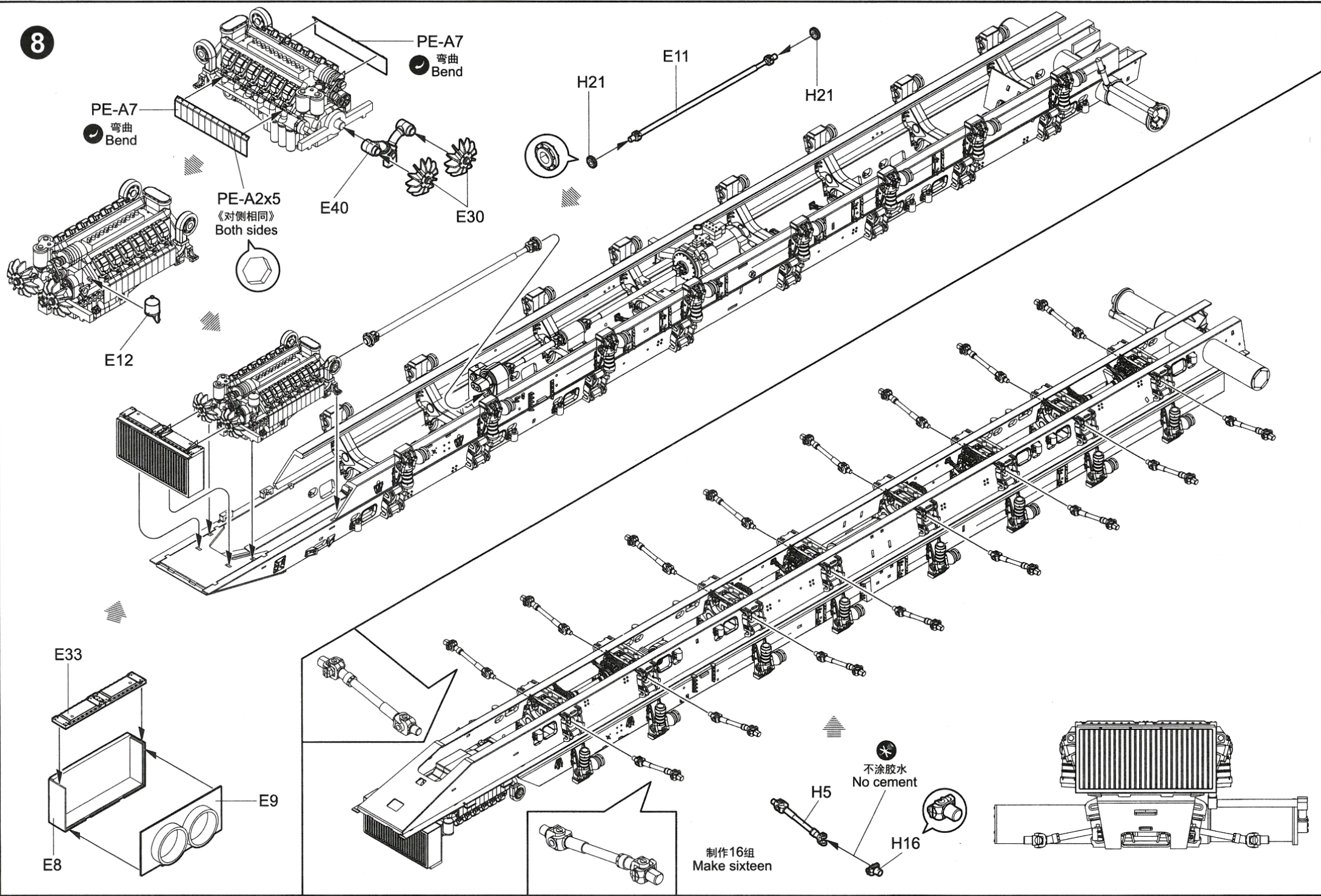
5



7

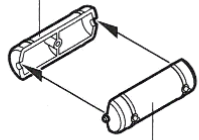


8



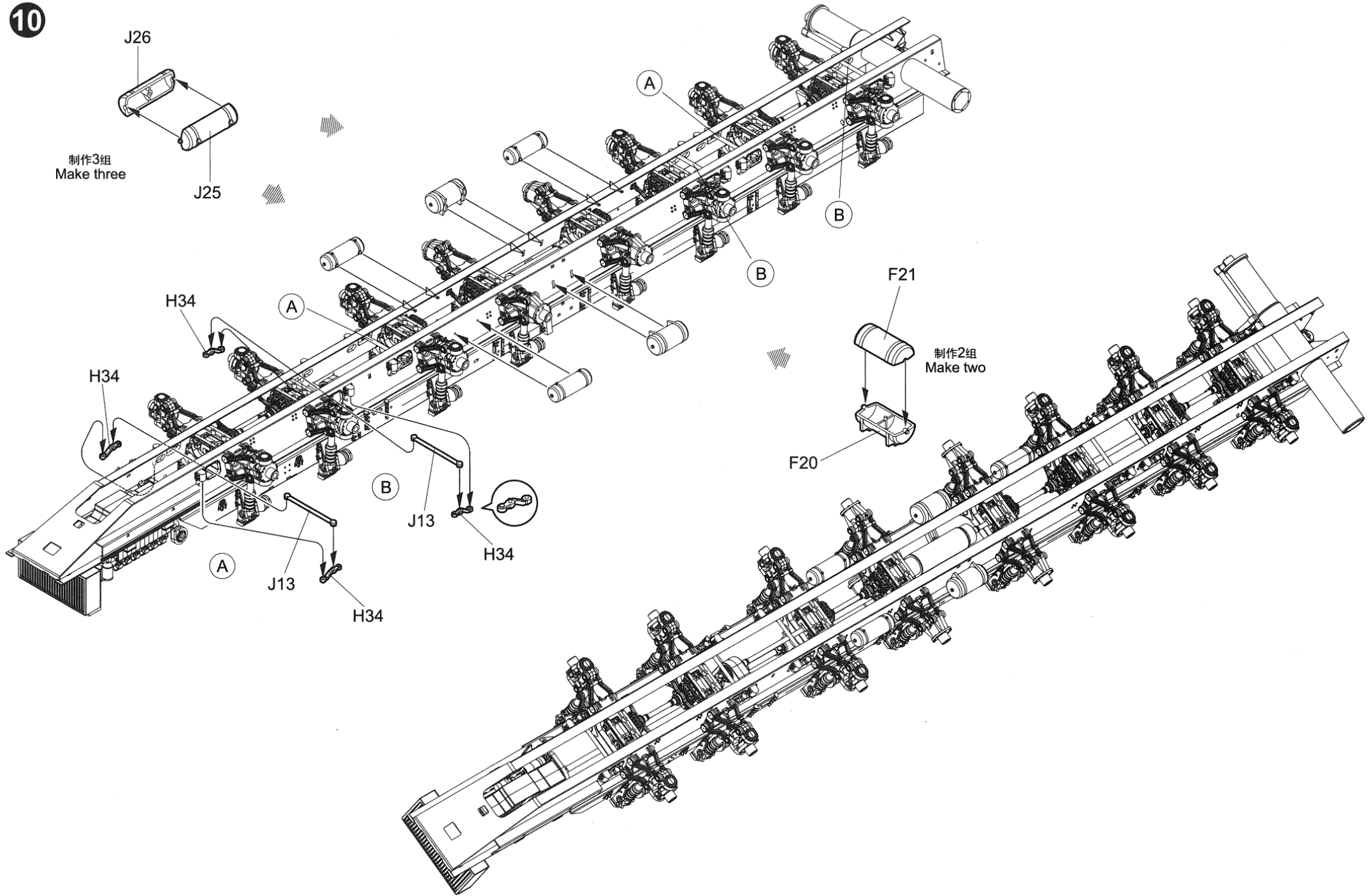
10

J26



制作3组
Make three

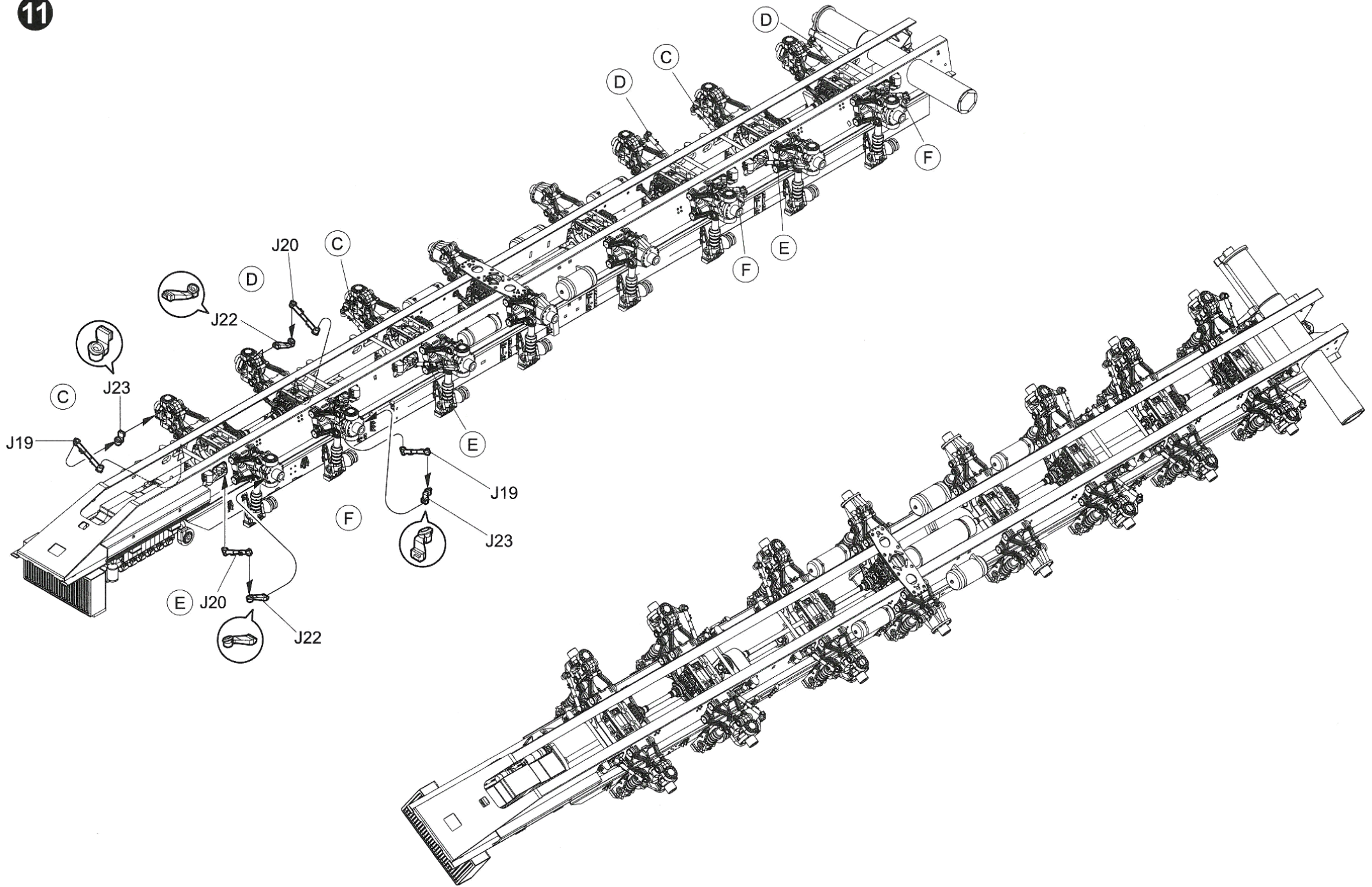
J25

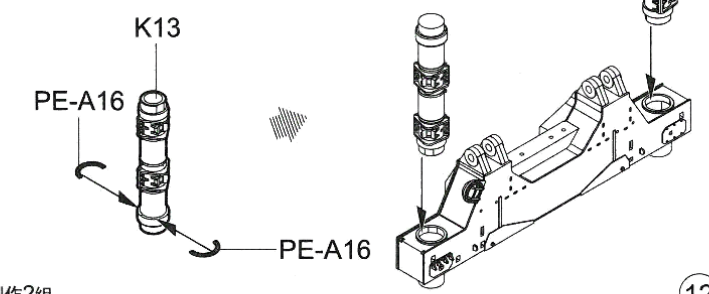
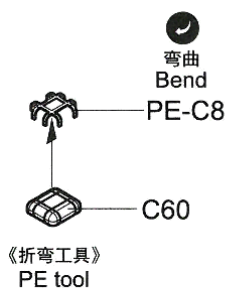
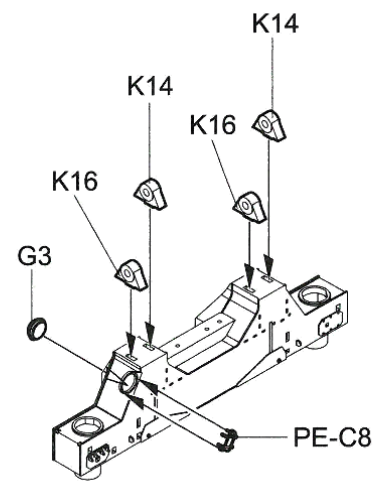
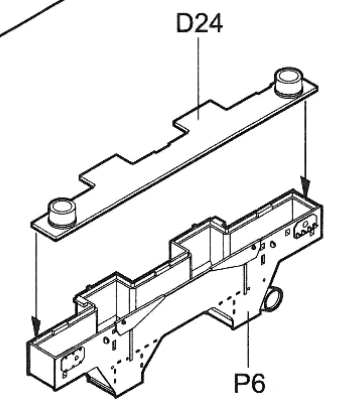
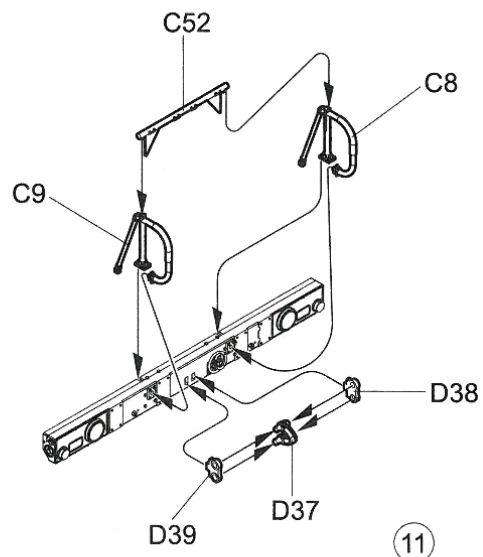
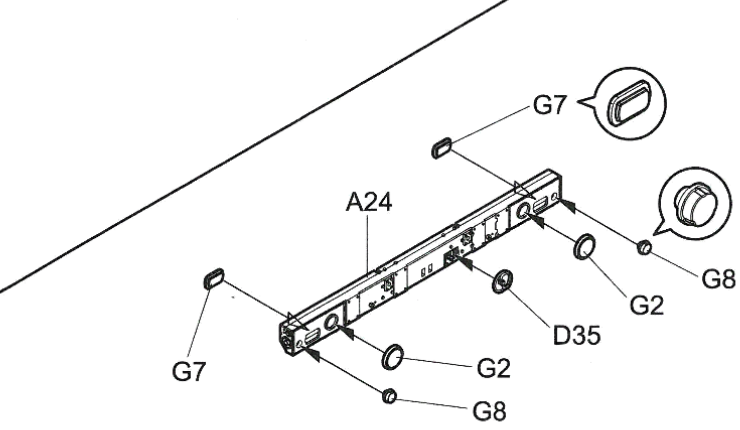
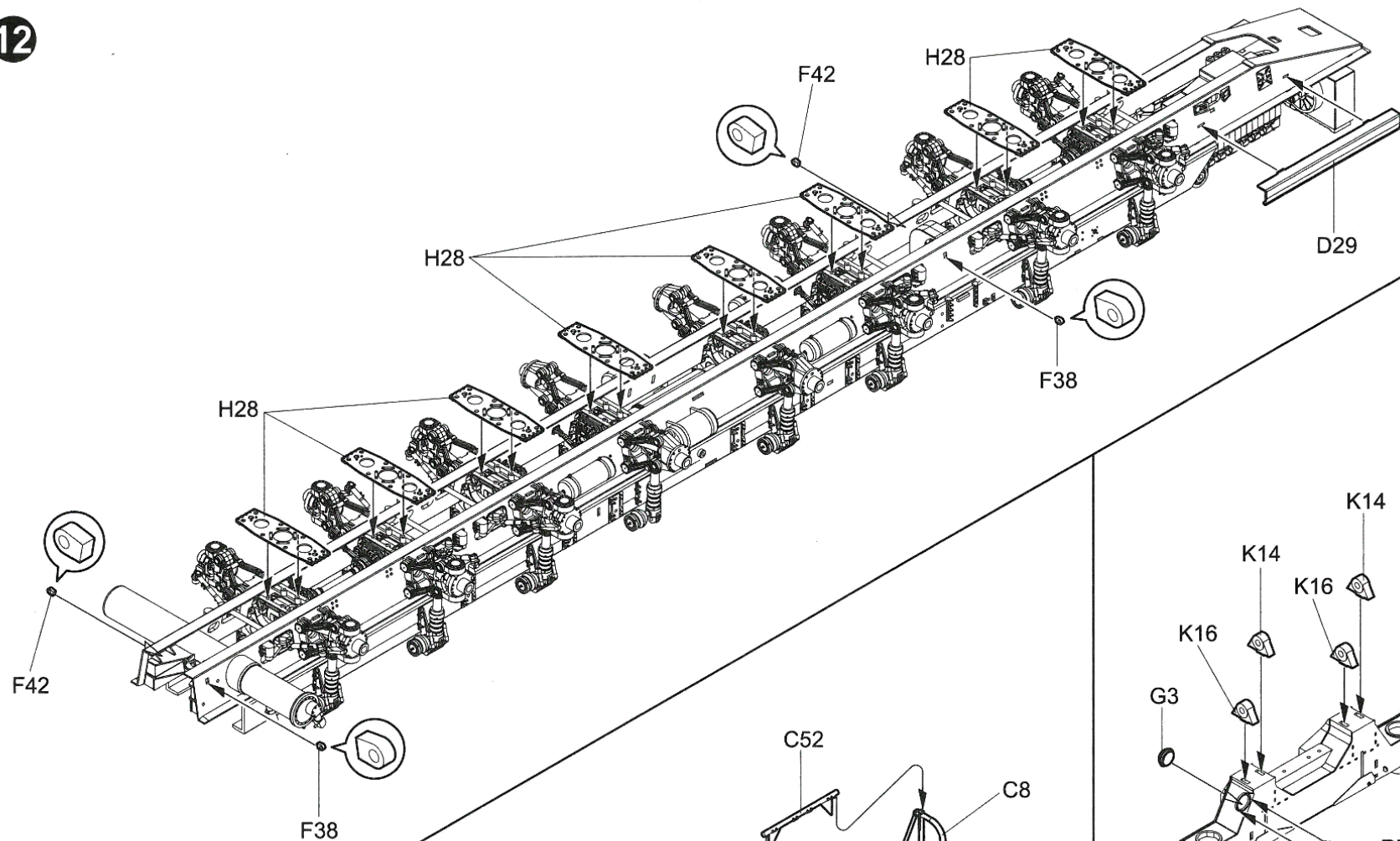


制作2组
Make two

F21

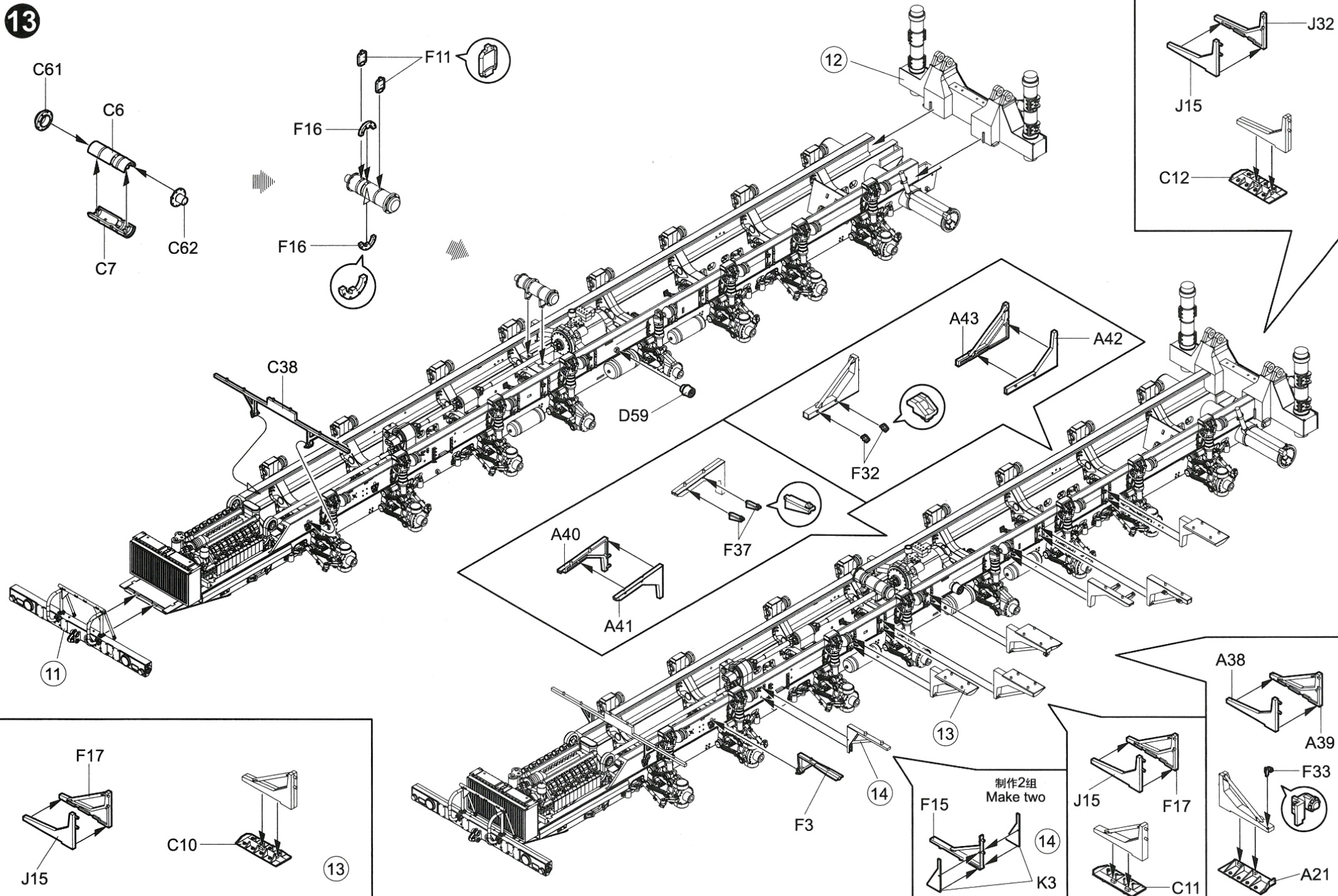
F20



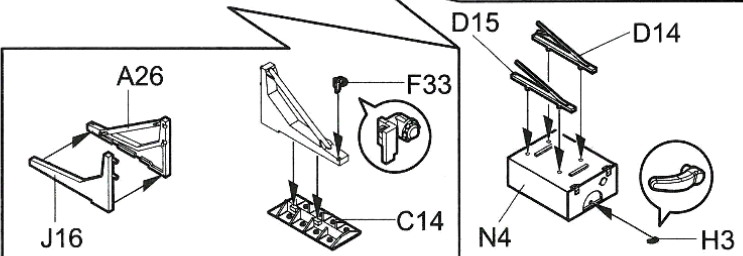
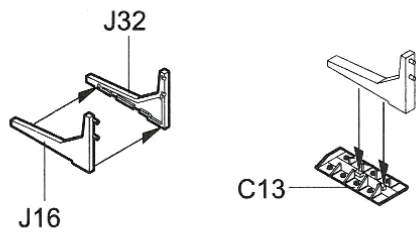
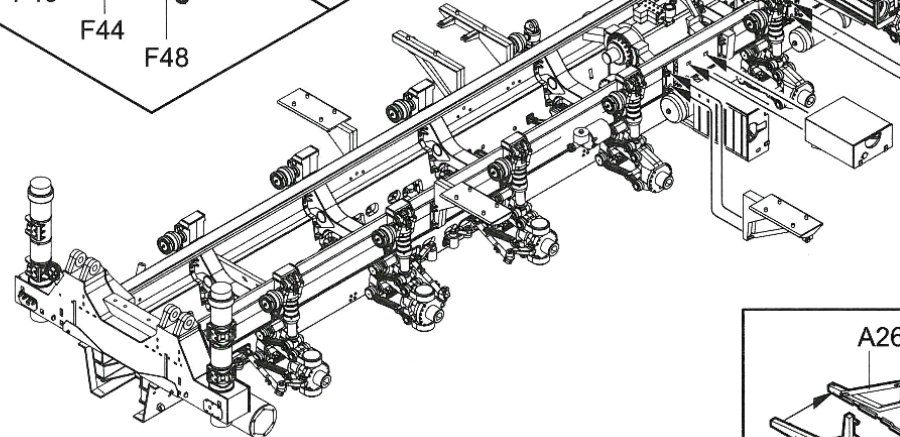
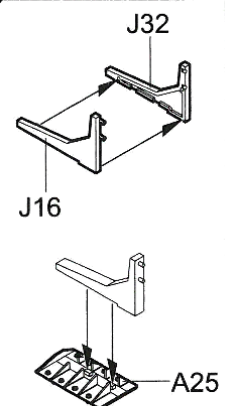
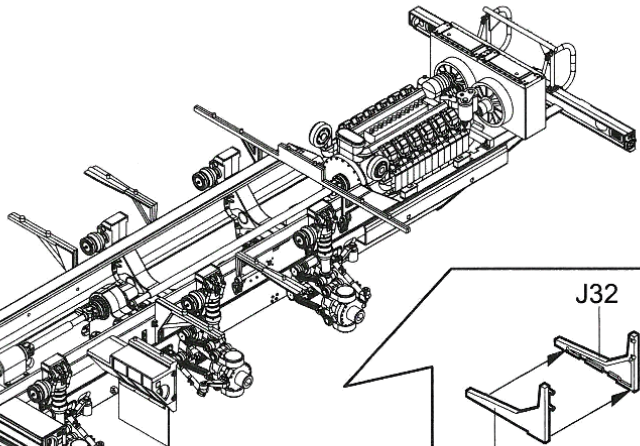
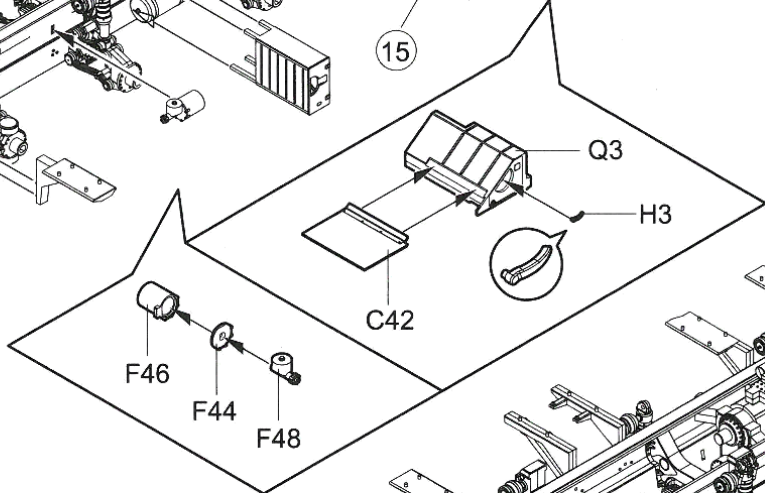
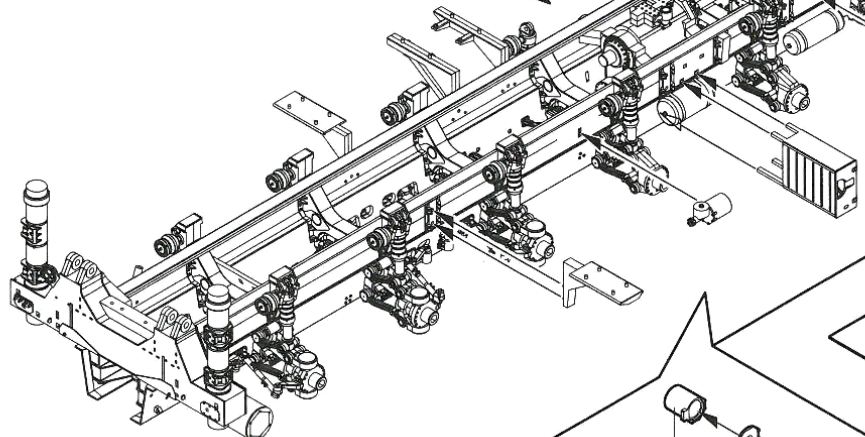
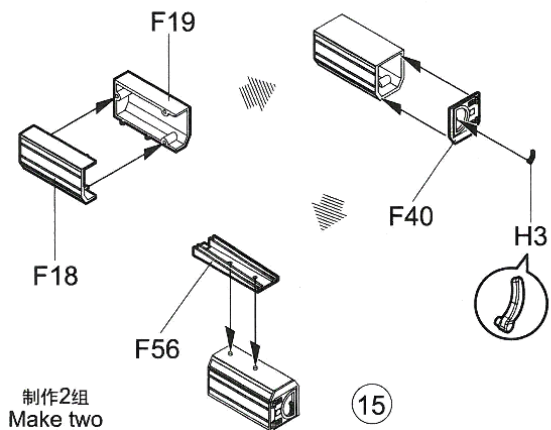
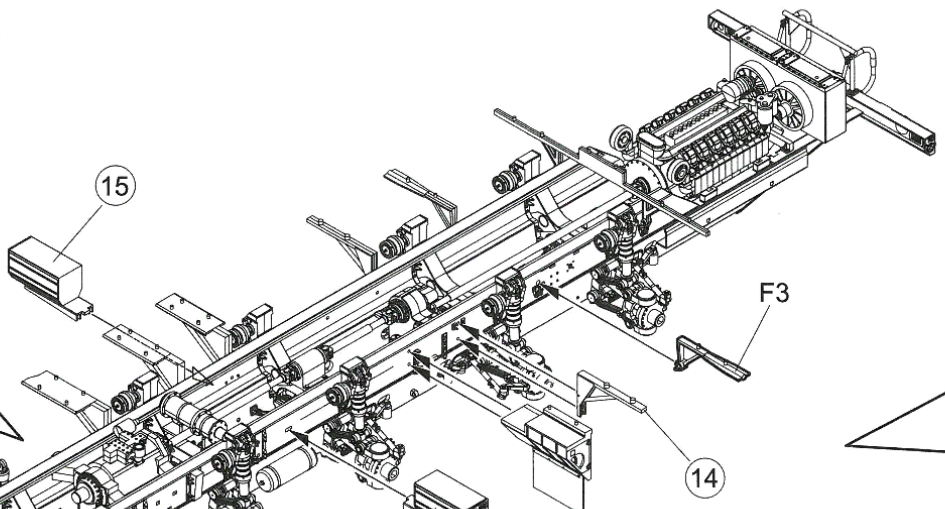
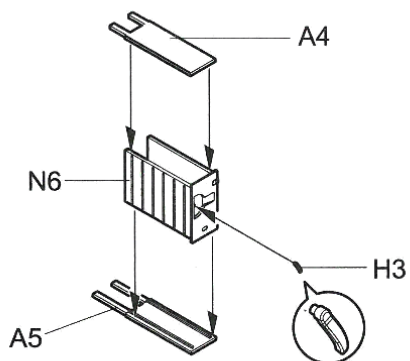


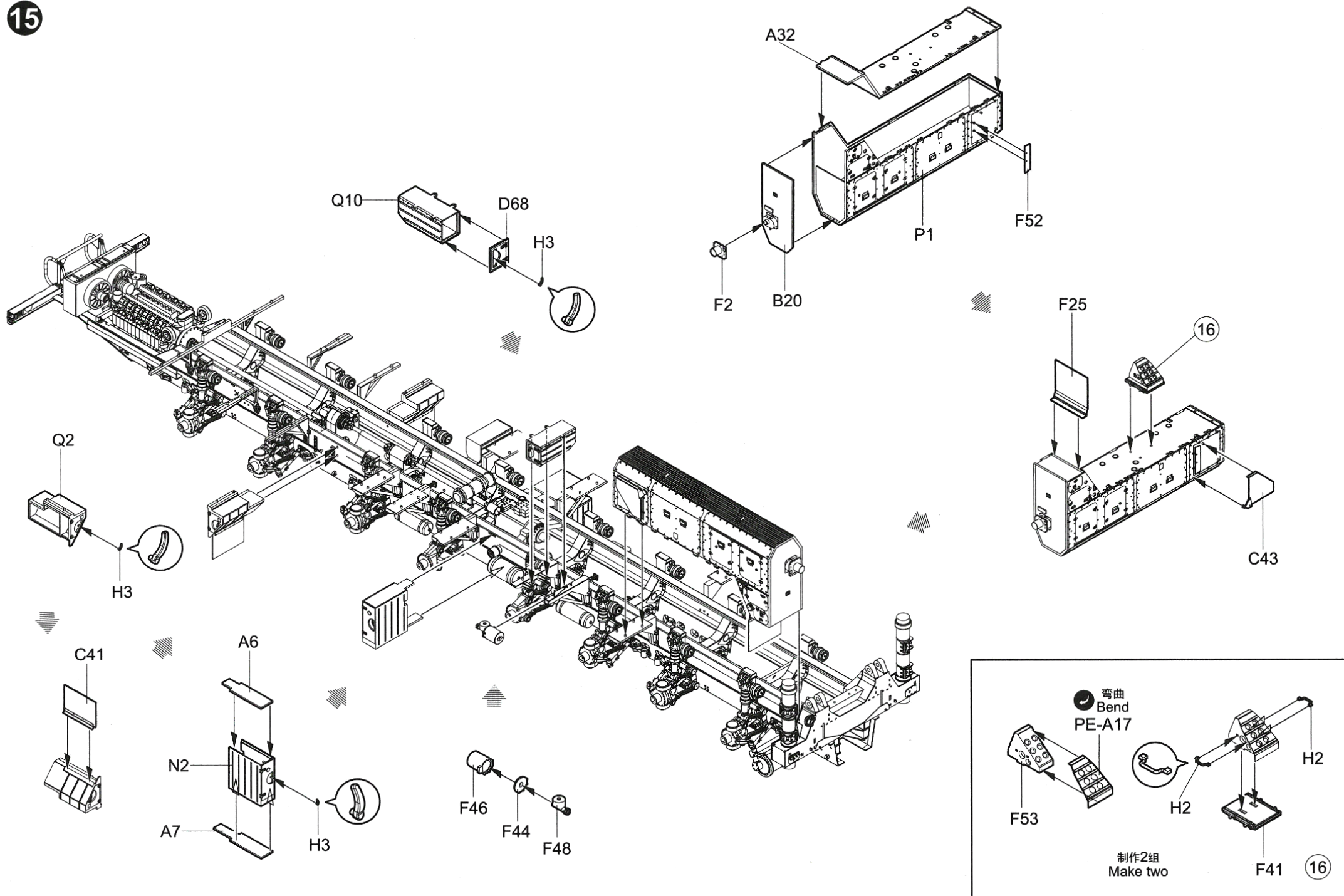
制作2组
Make two

13

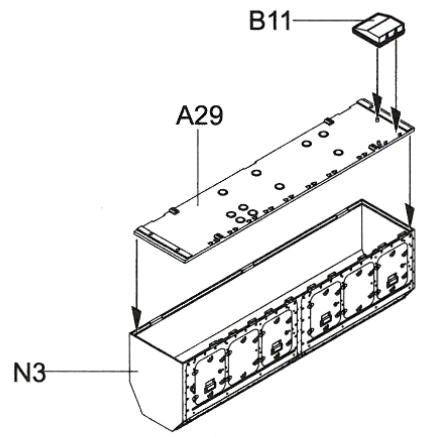
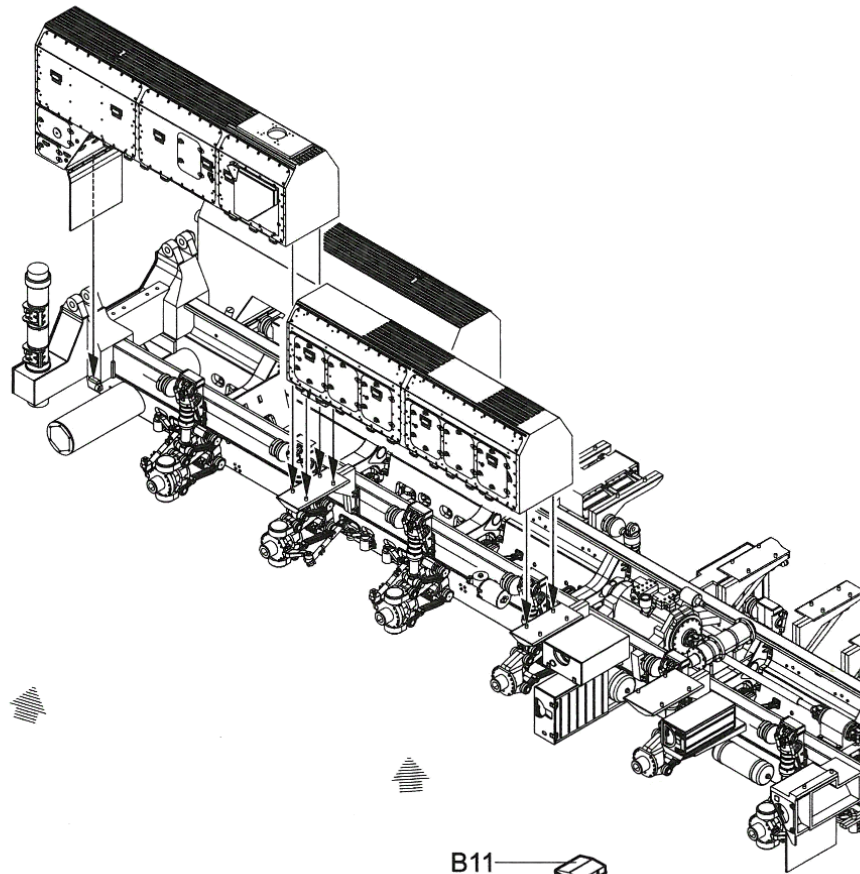
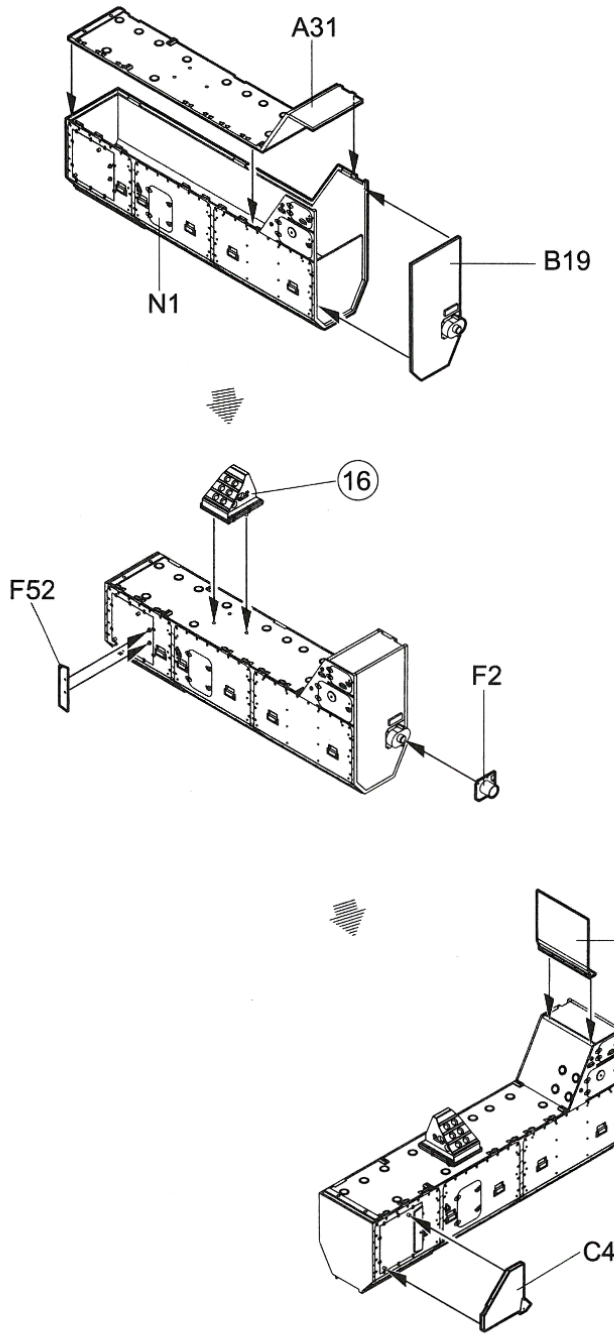


14

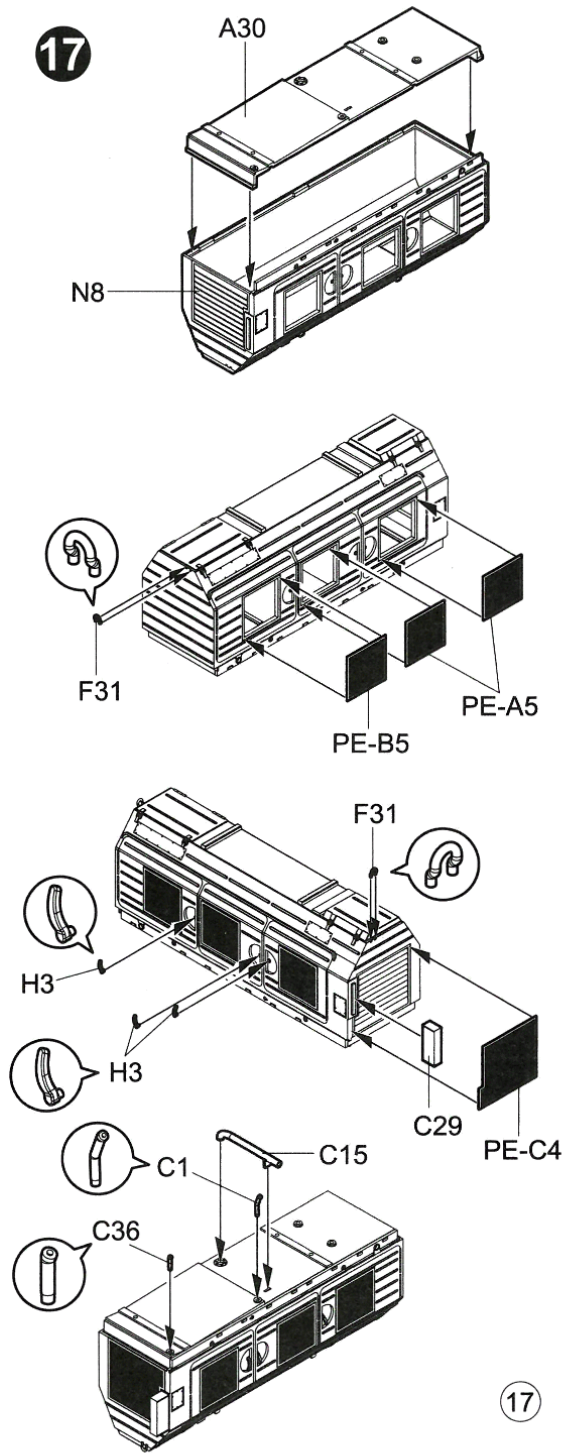




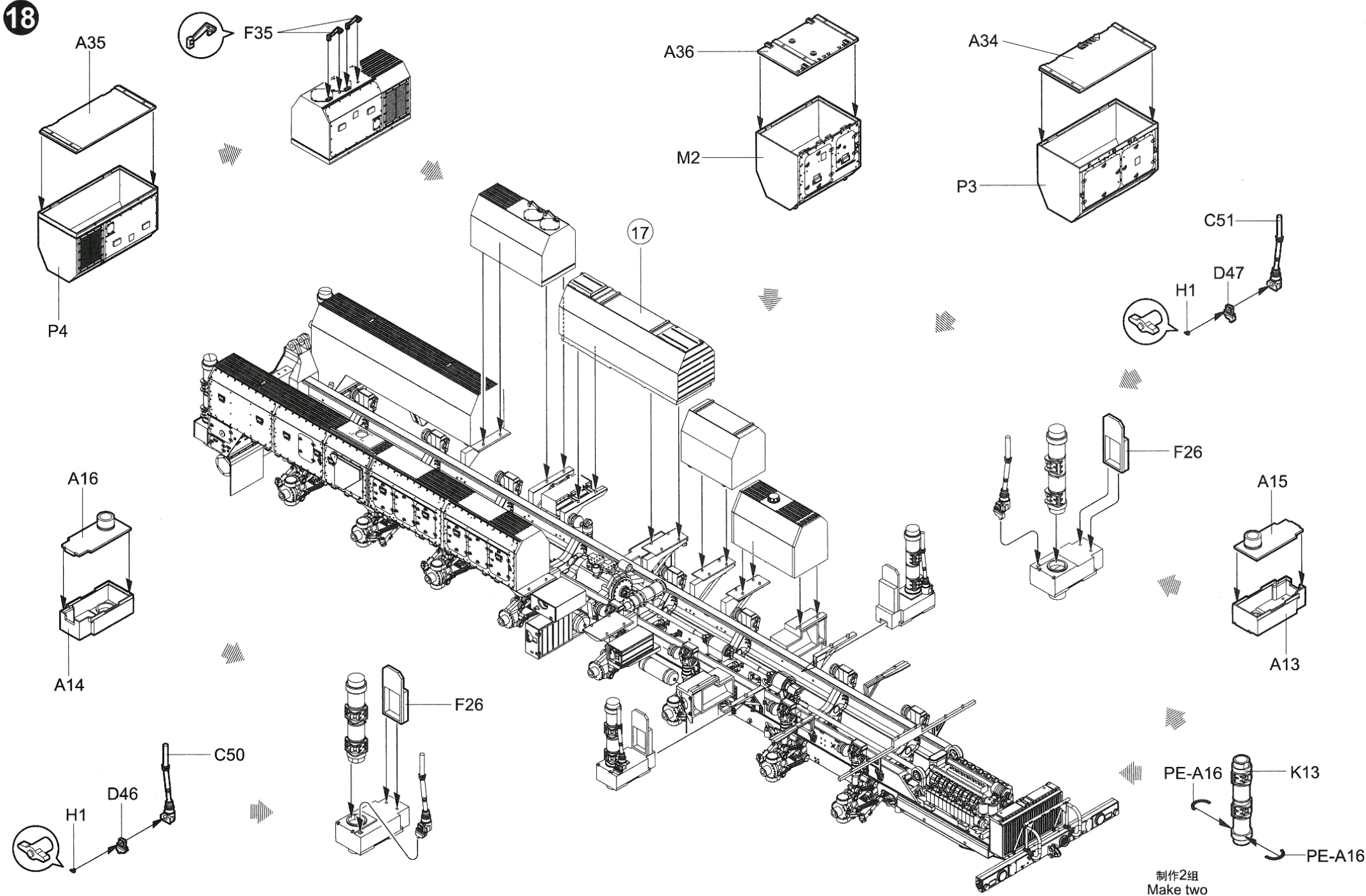
16



17

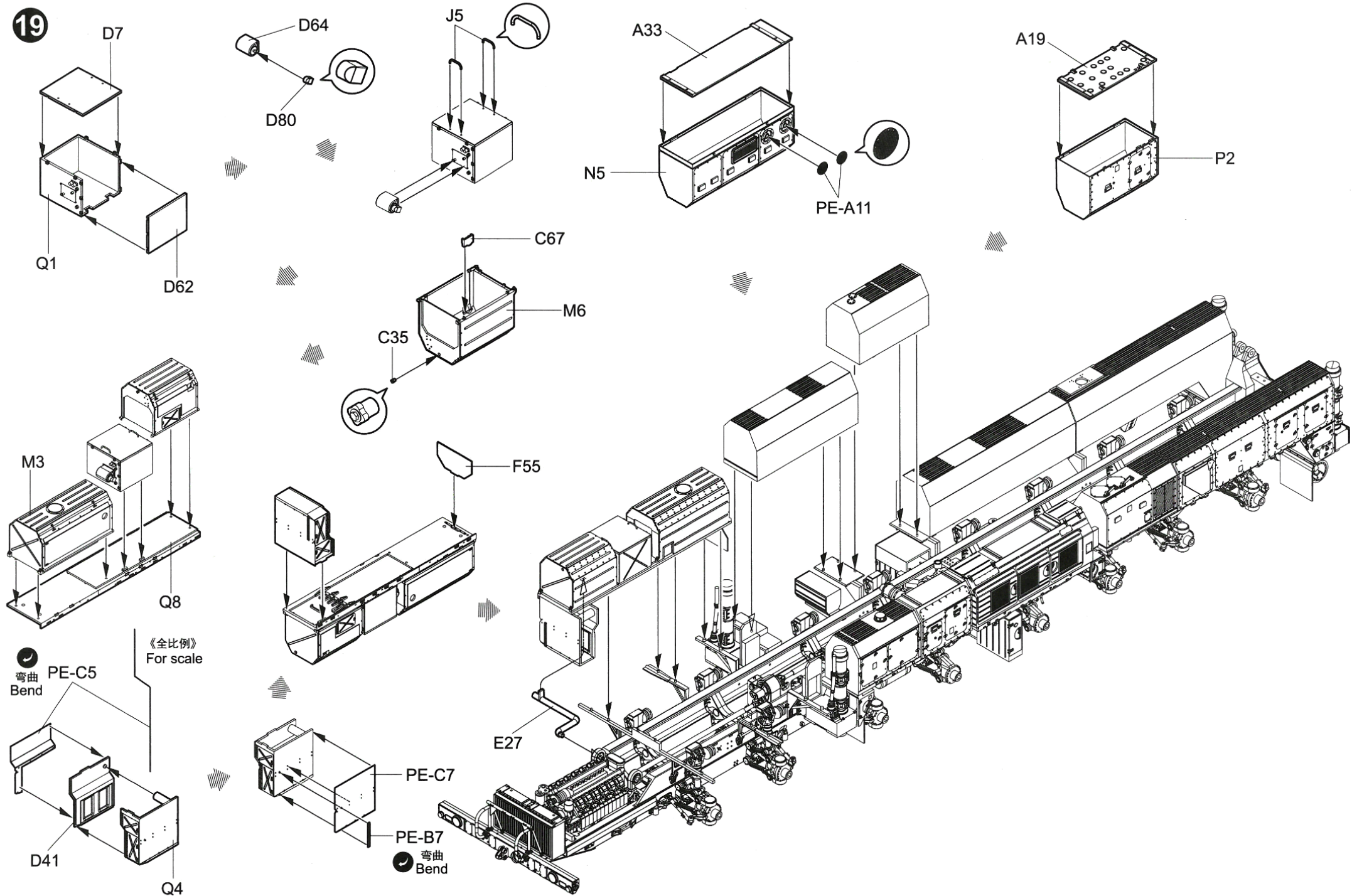


18

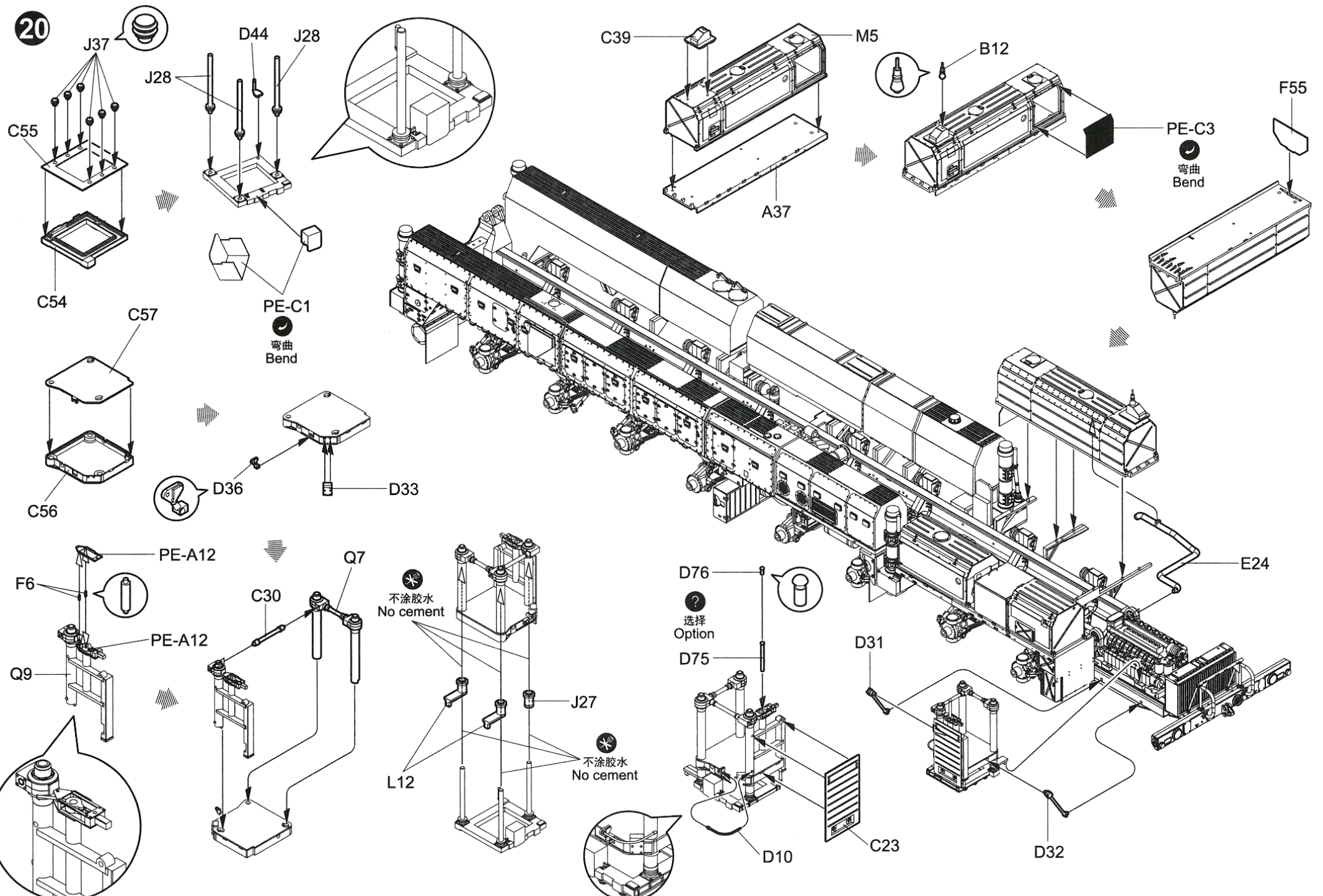


制作2组
Make two

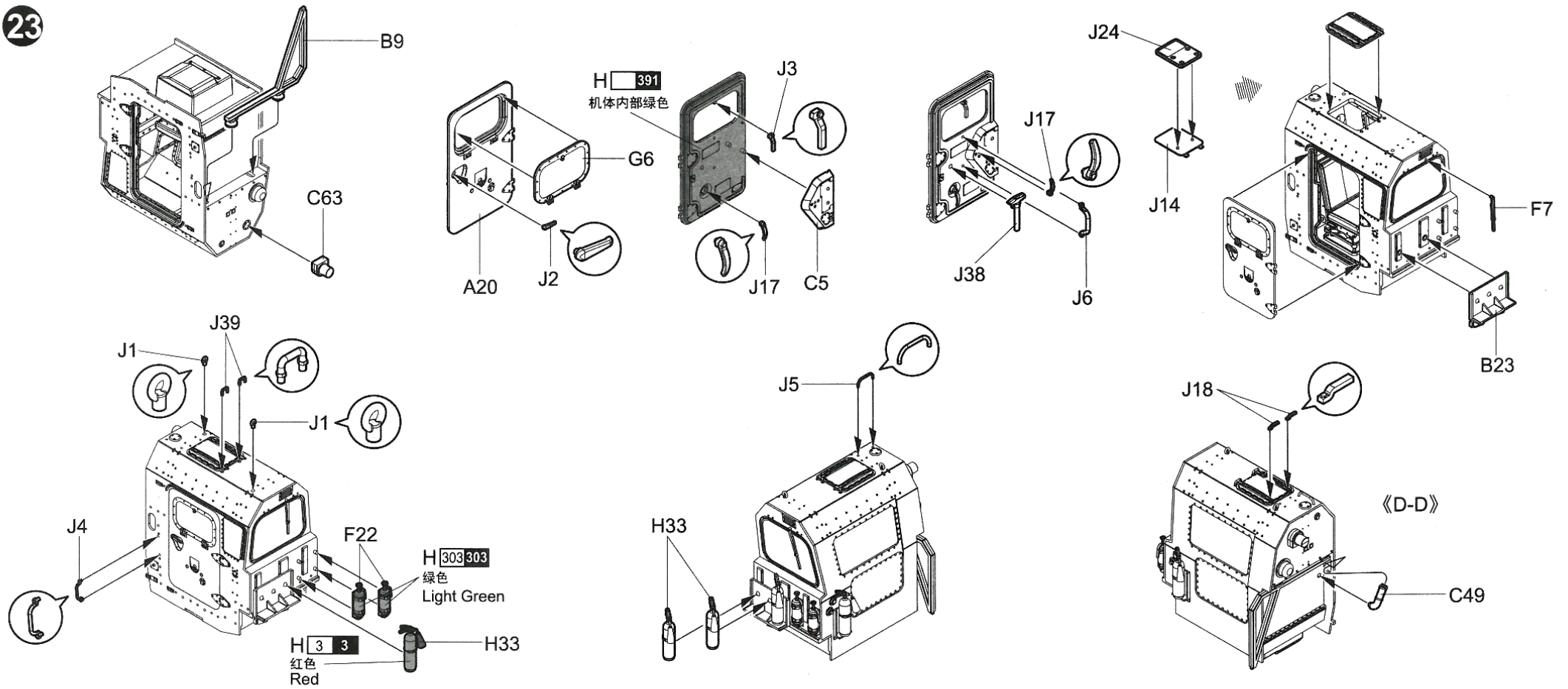
19



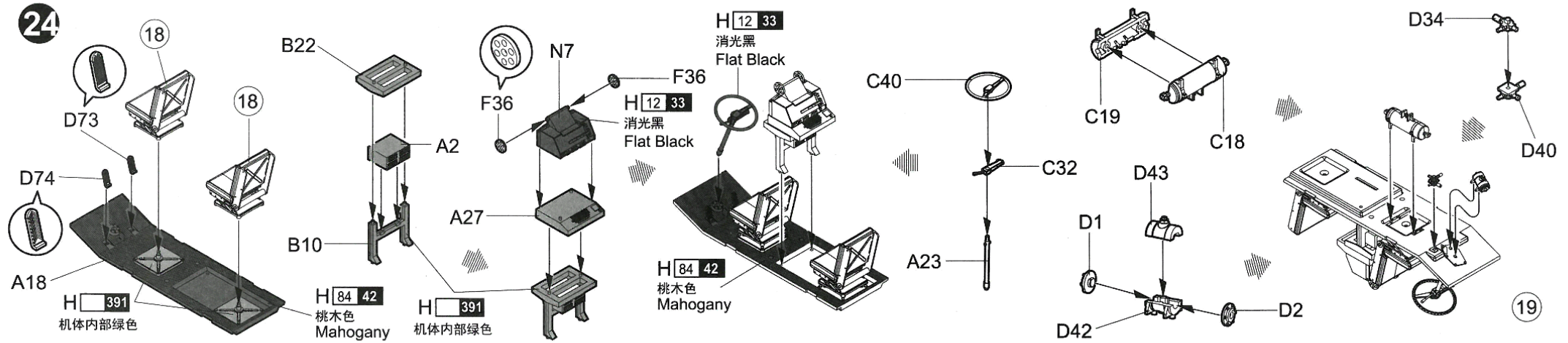
20

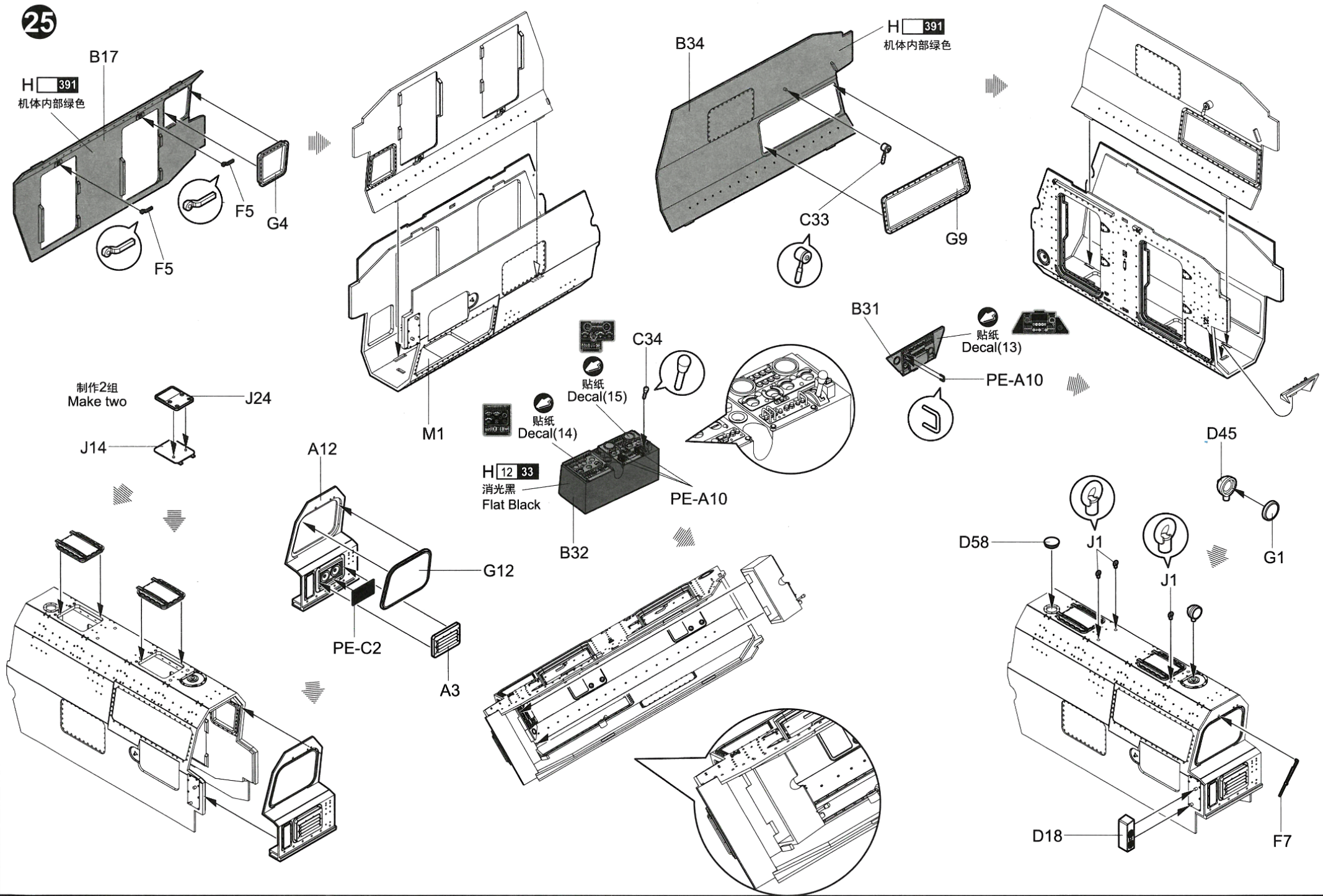


23

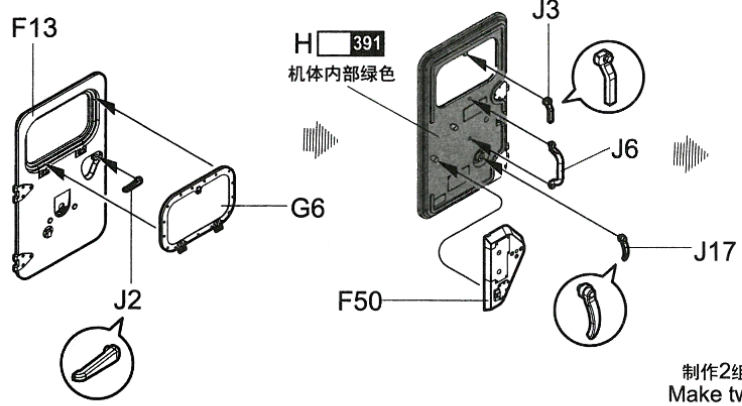


24

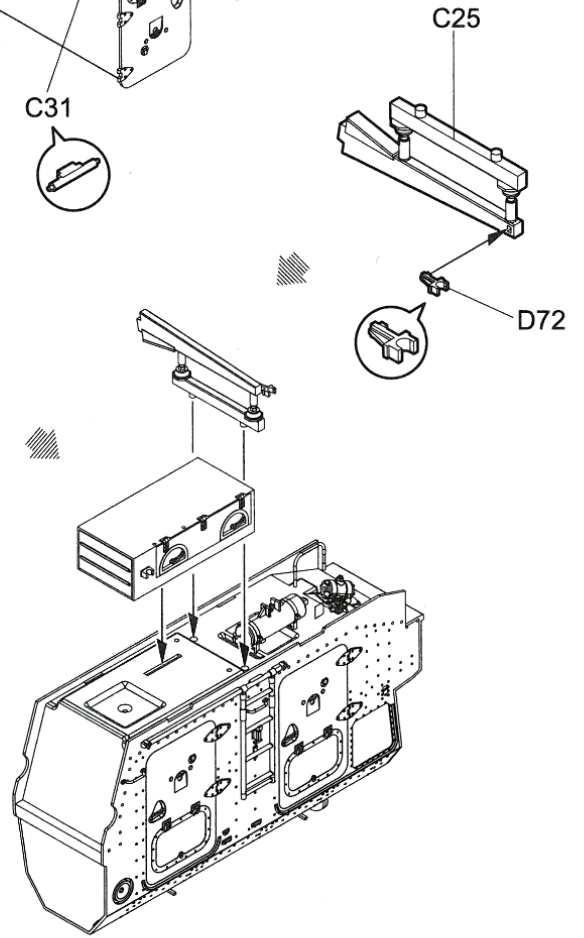
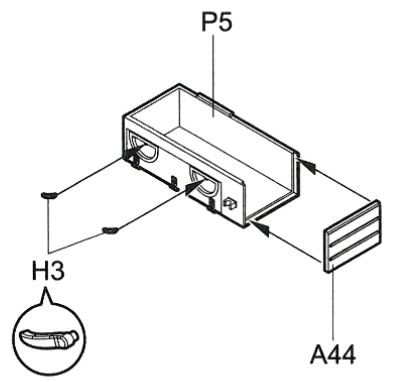
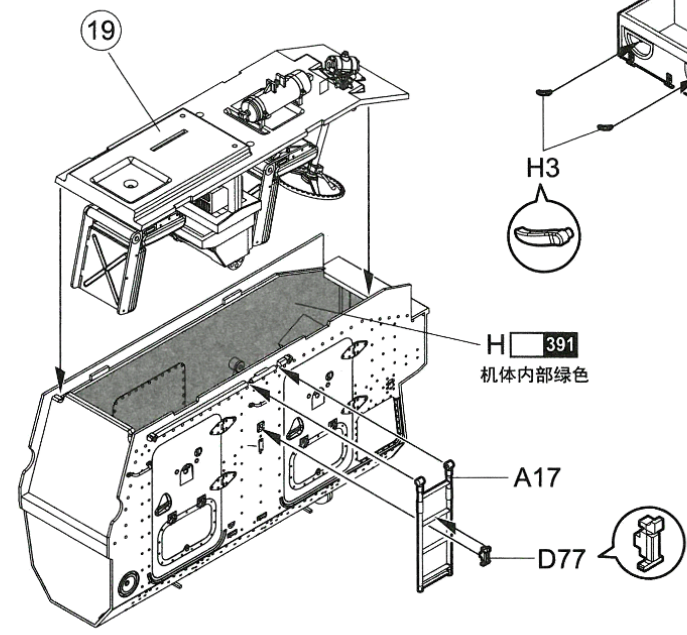
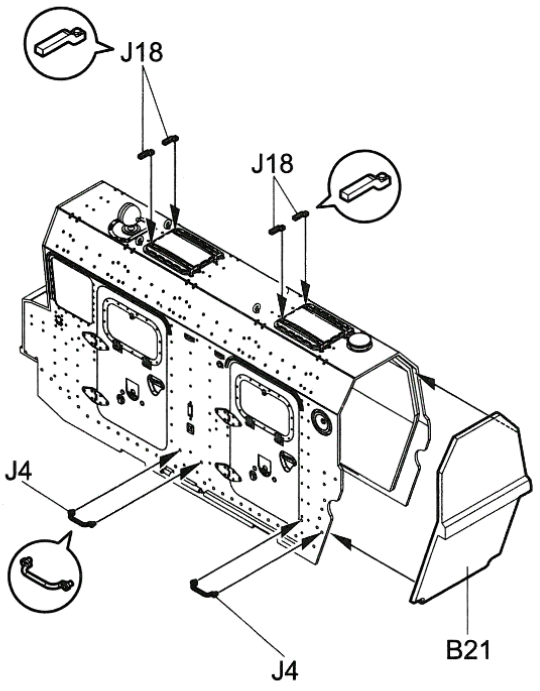
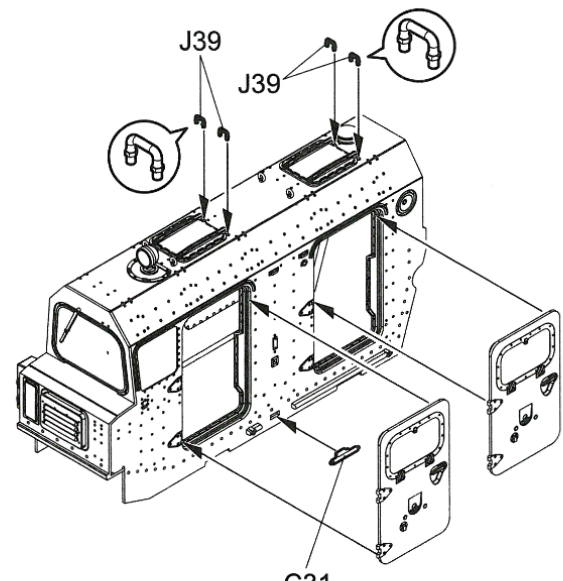
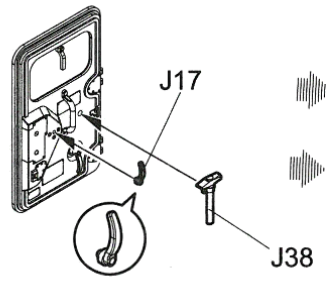


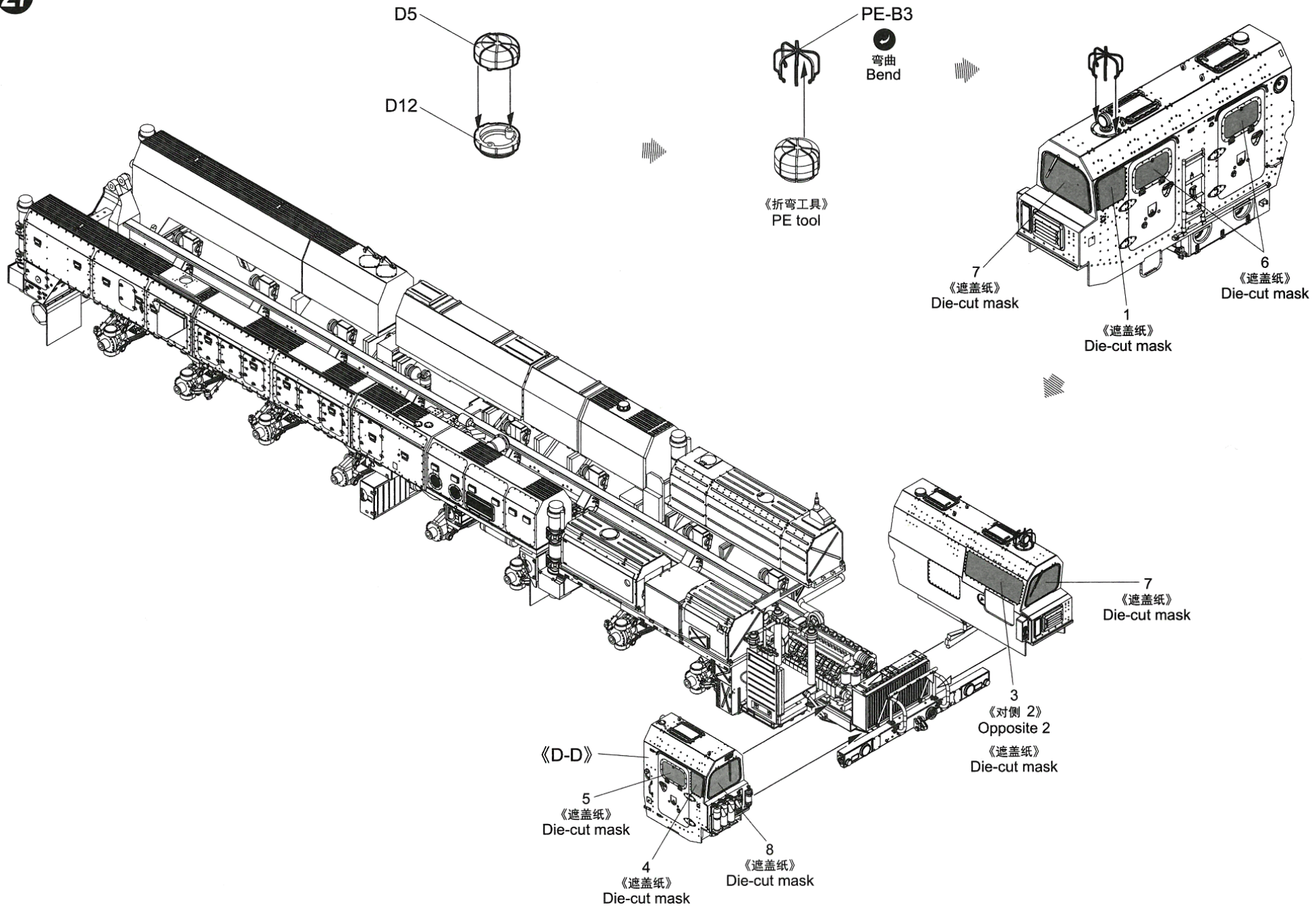


制作2组
Make two

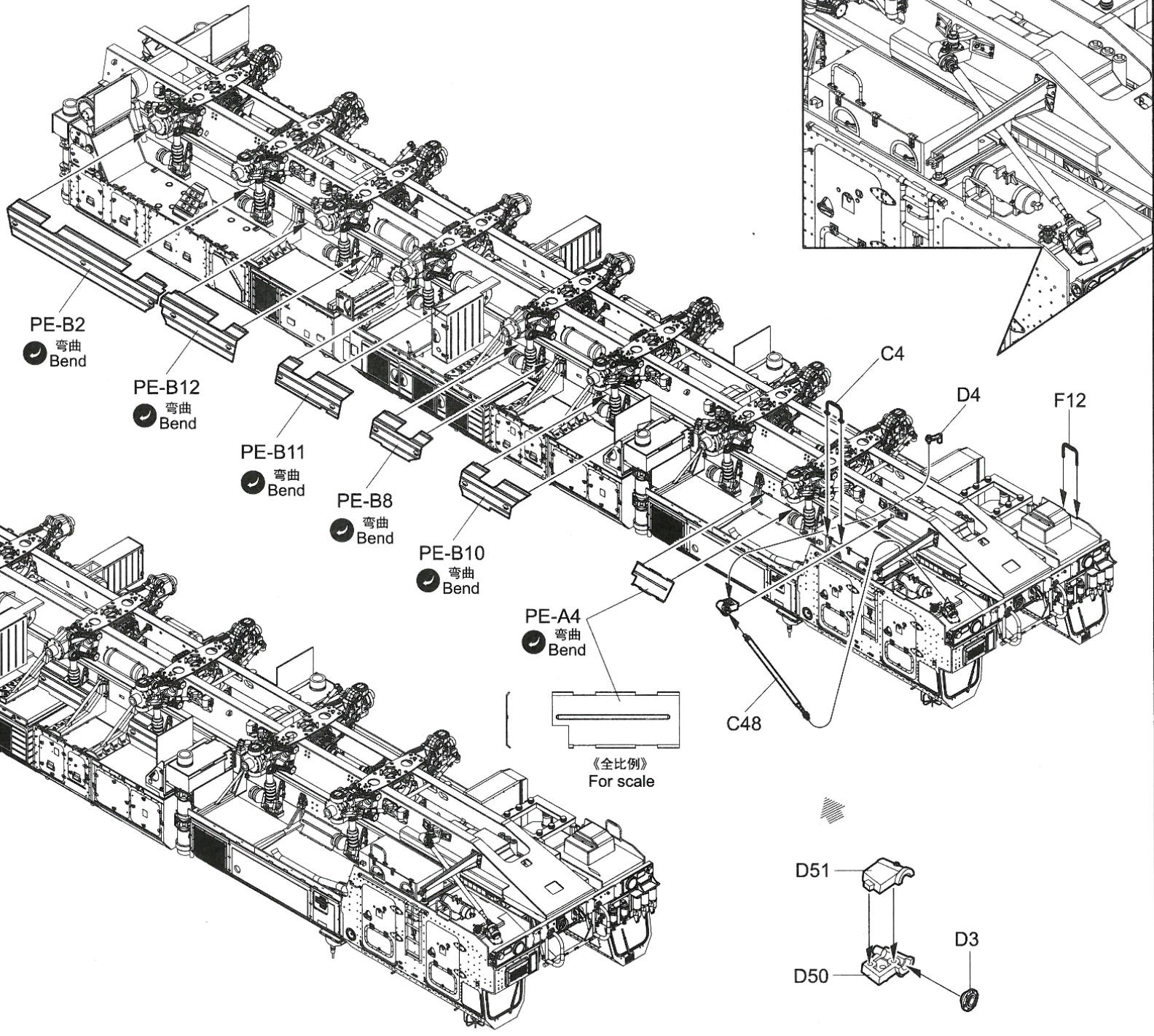


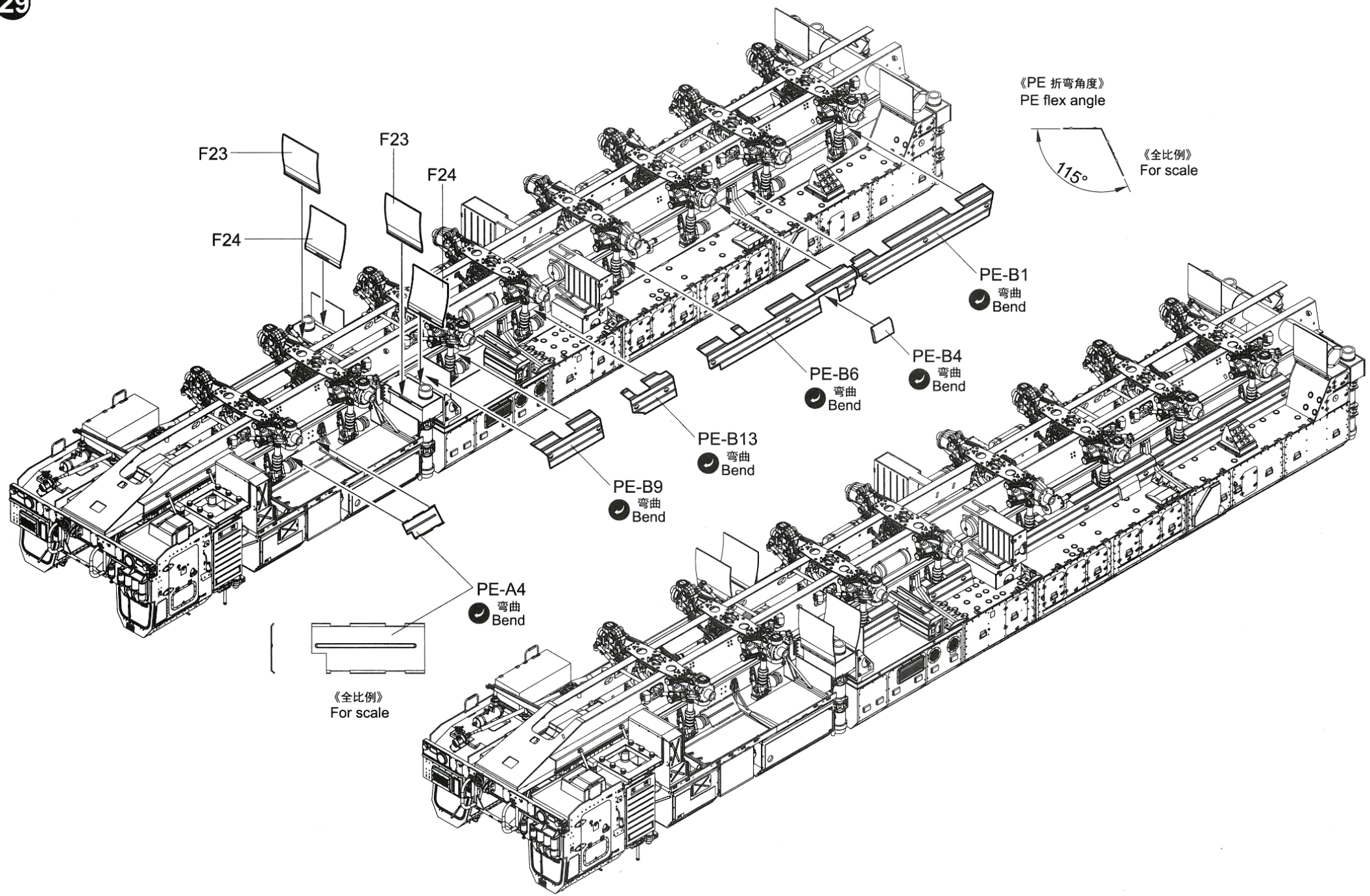
制作2组
Make two

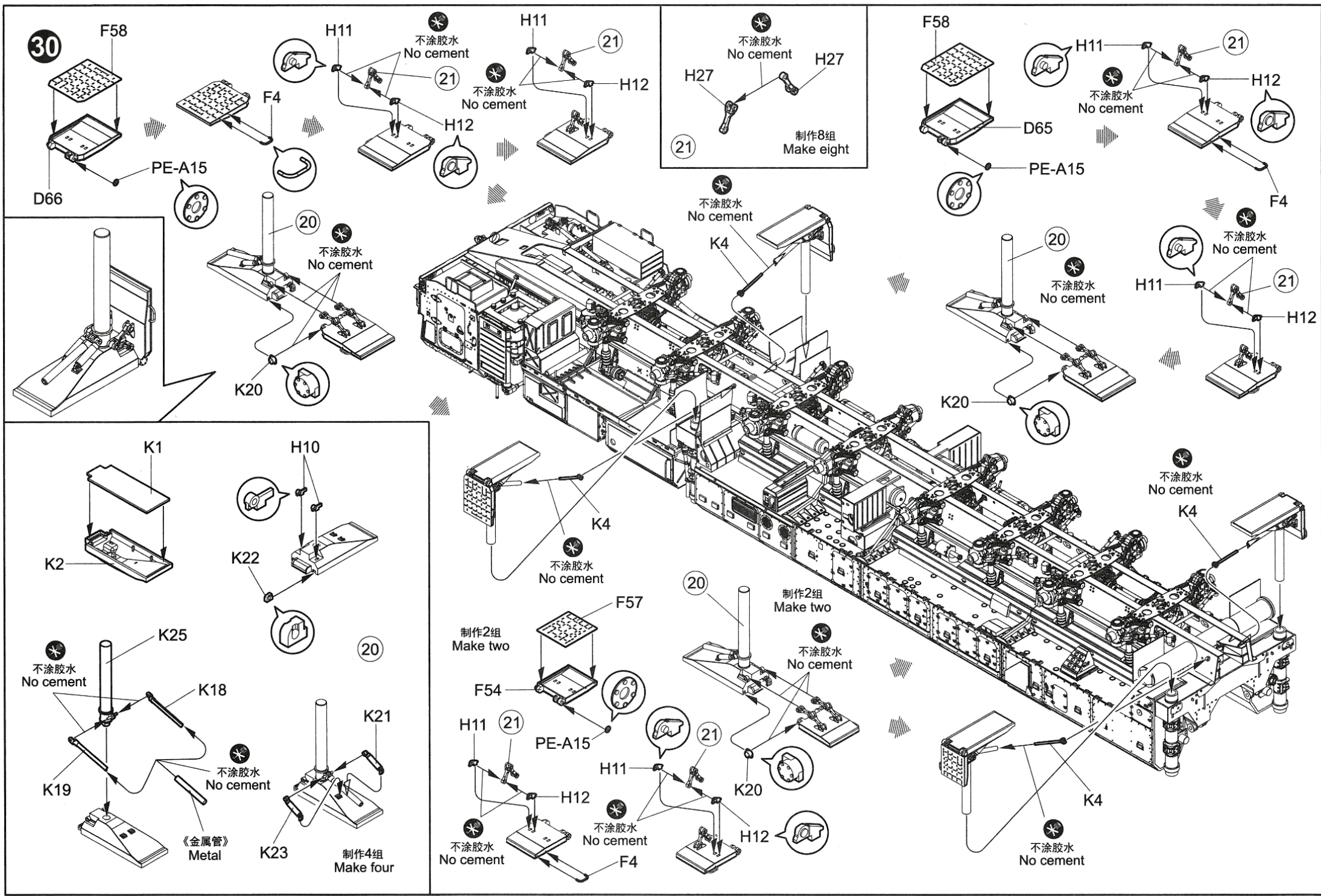




《PE 折弯角度》
PE flex angle
《全比例》
For scale
115°







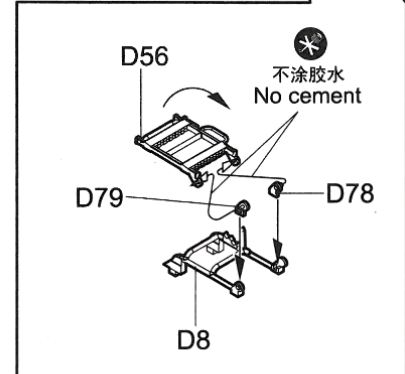
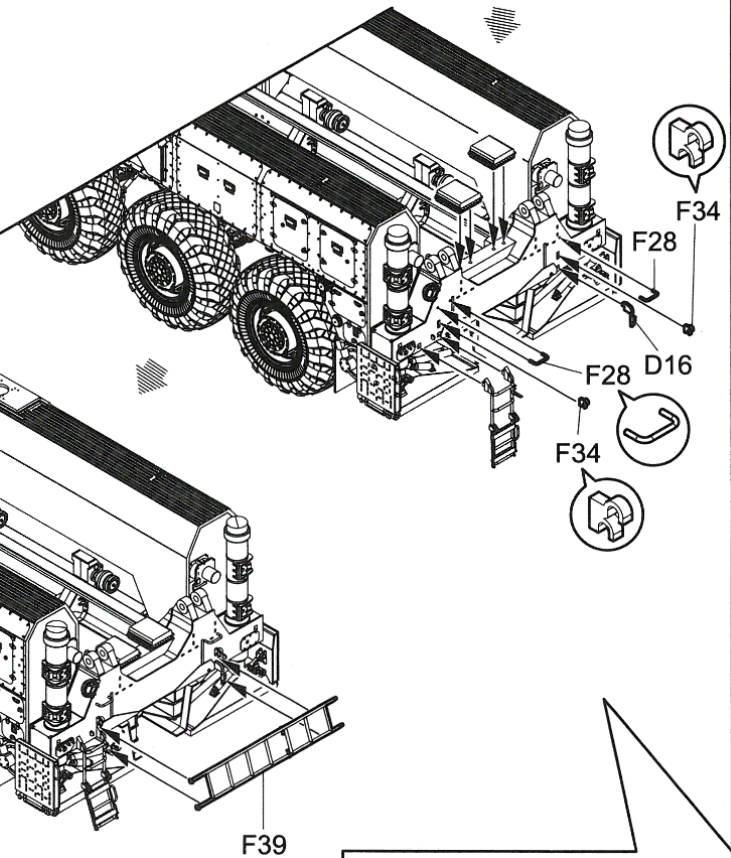
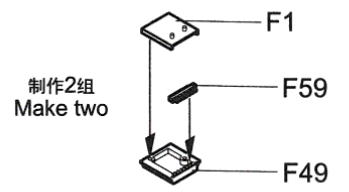
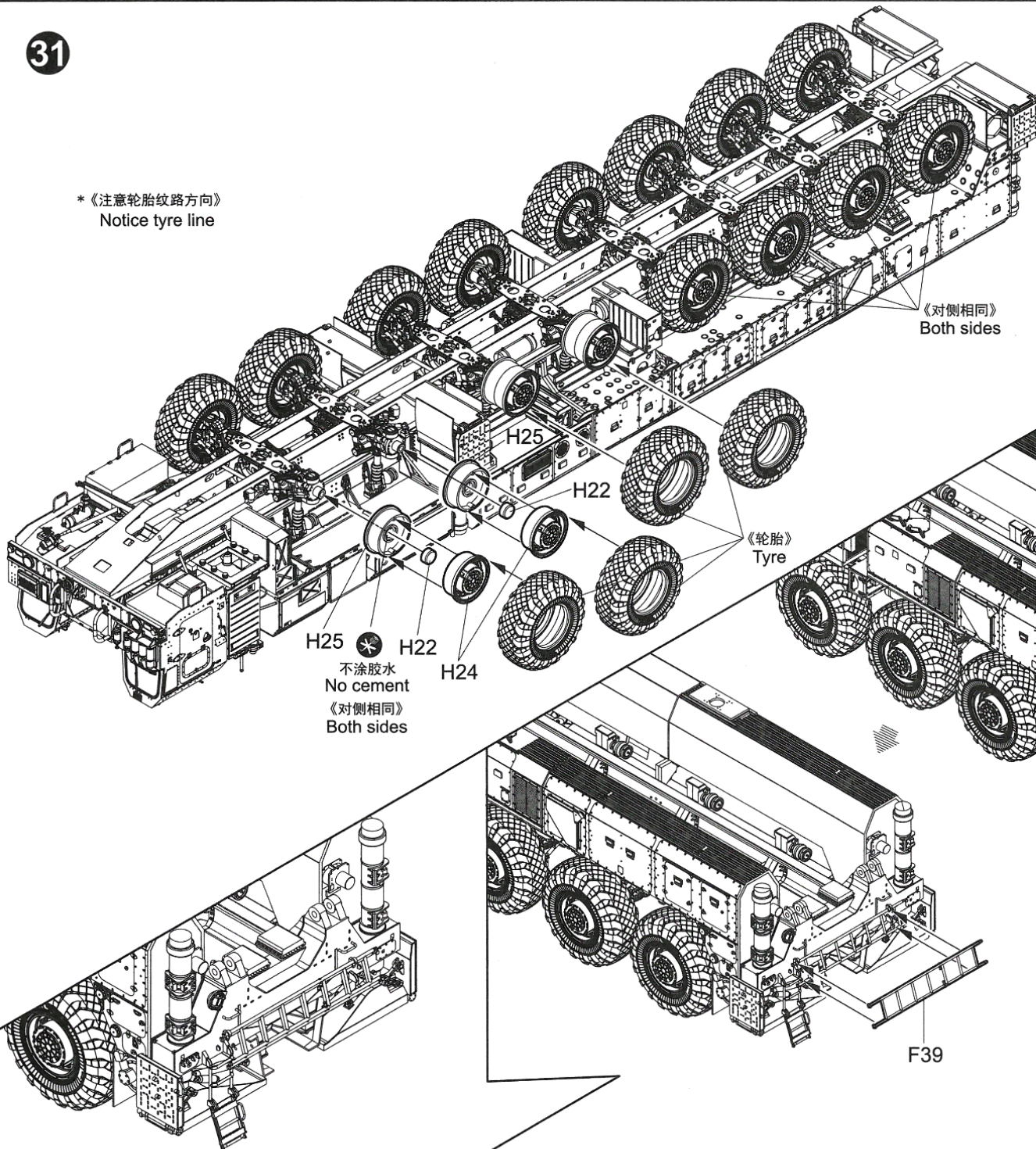
30

制作8组
Make eight

制作2组
Make two

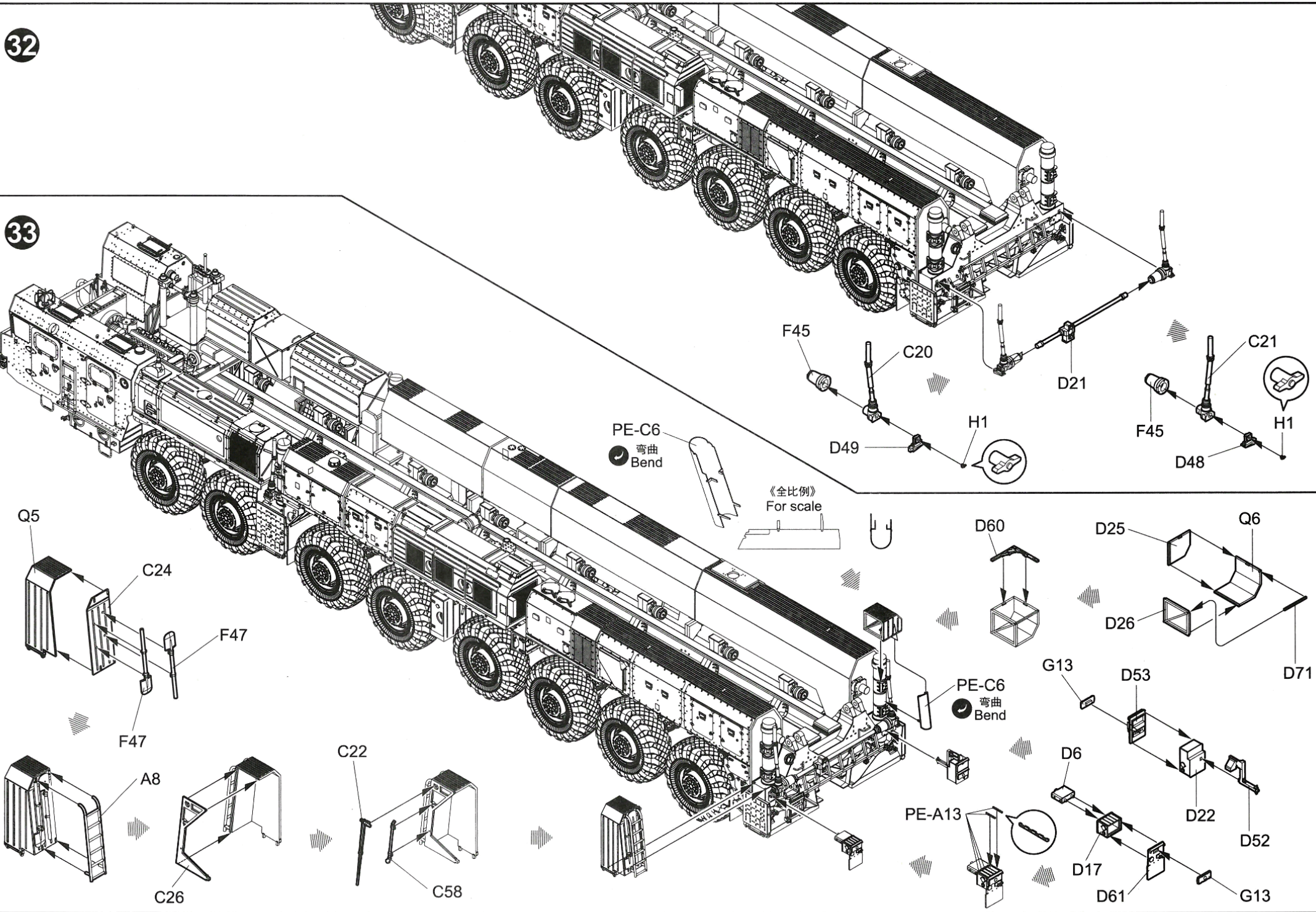
制作4组
Make four

* 《注意轮胎纹路方向》
Notice tyre line



32

33



34

弯曲
Bend
PE-A9



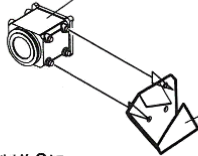
制作2组
Make two



C59 《折弯工具》
PE tool

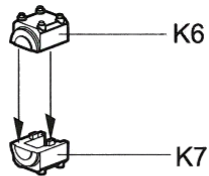
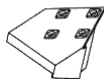
《对侧相同》
Both sides

22



PE-A8
弯曲
Bend

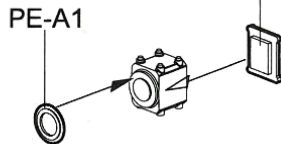
制作2组
Make two



K6

K7

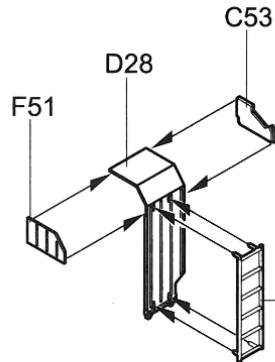
K24



PE-A1

22

制作4组
Make four



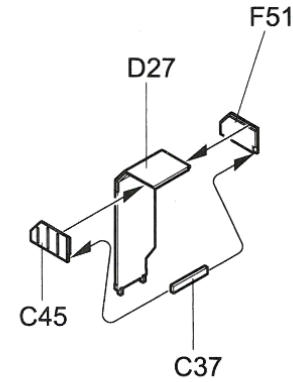
F51

D28

C53

A9

D69

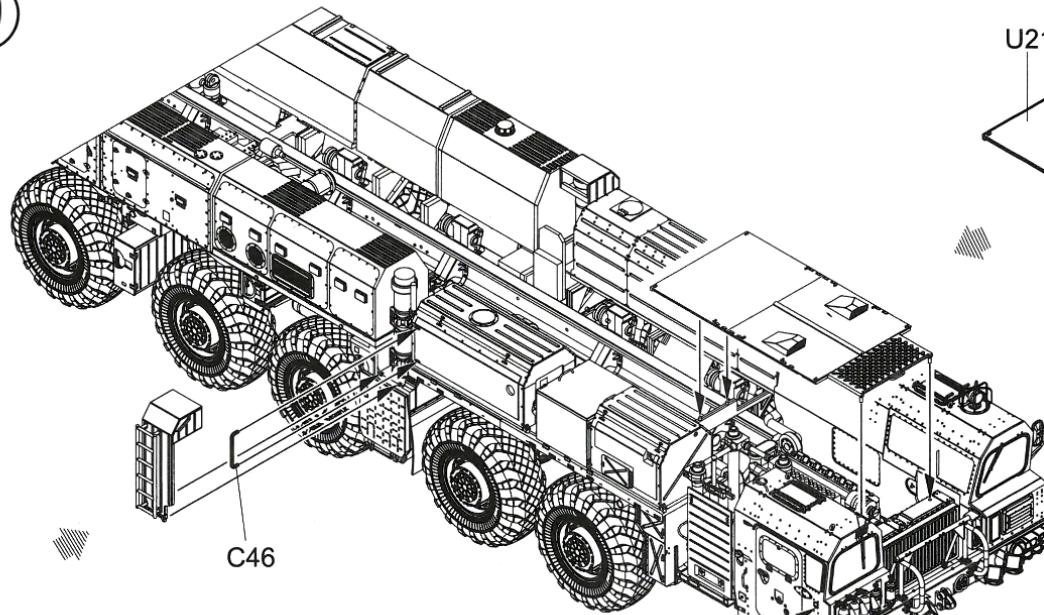


C45

D27

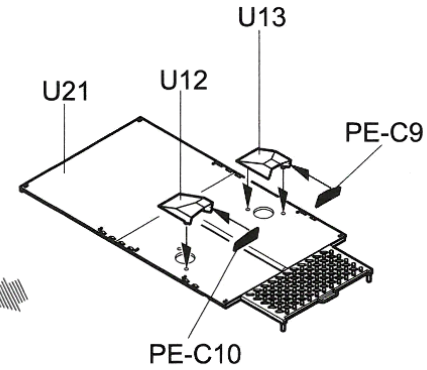
F51

C37



C46

D70



U21

U12

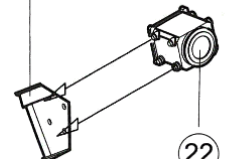
U13

PE-C9

PE-C10

弯曲
Bend
PE-A14

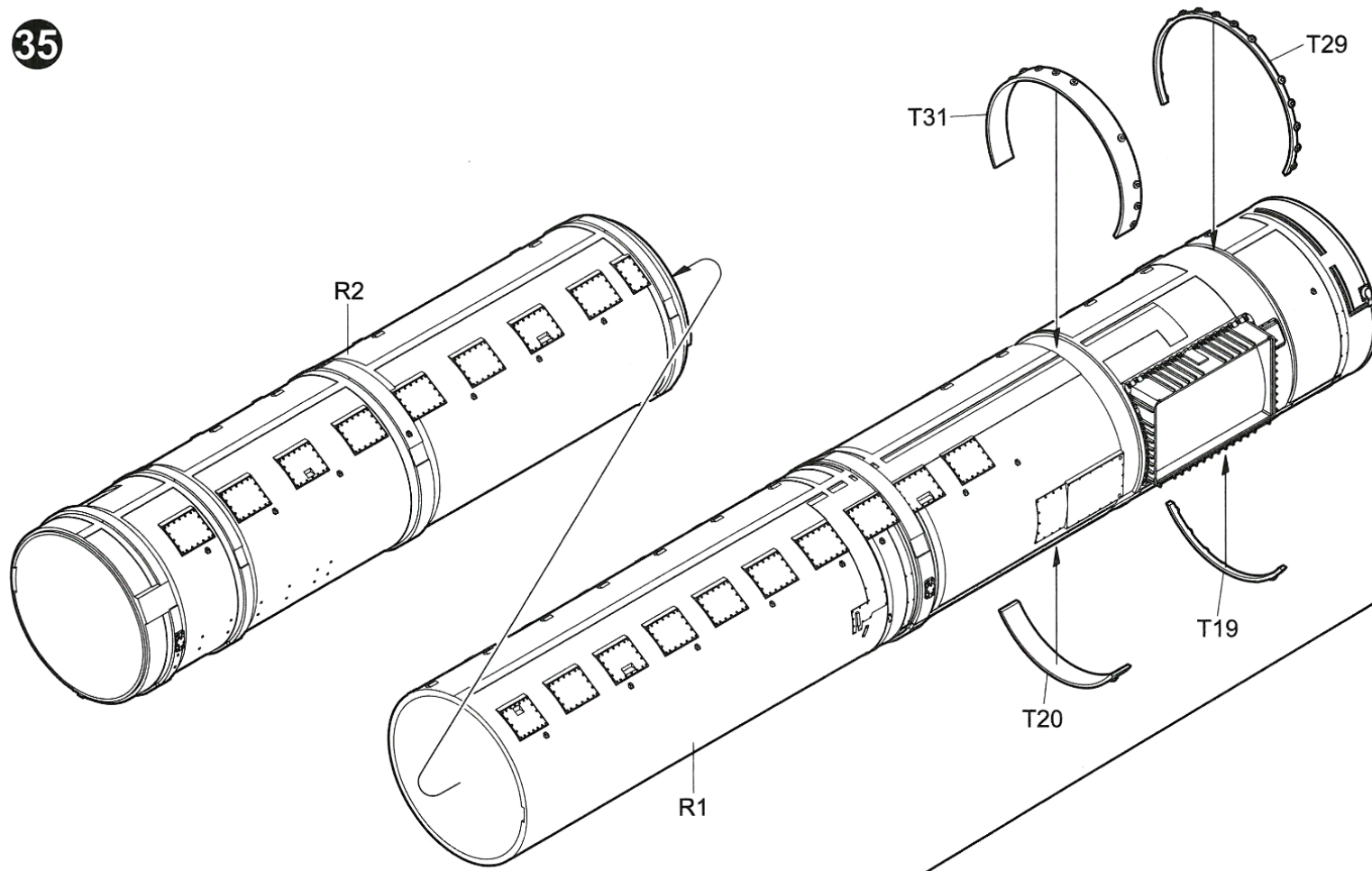
制作2组
Make two



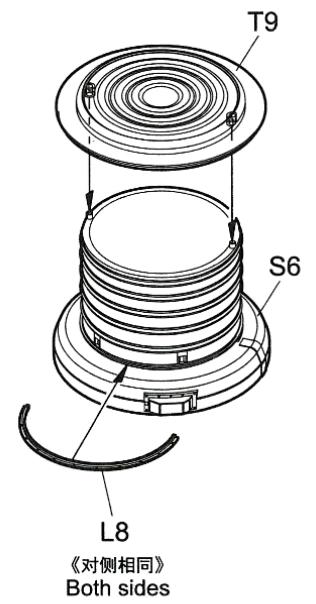
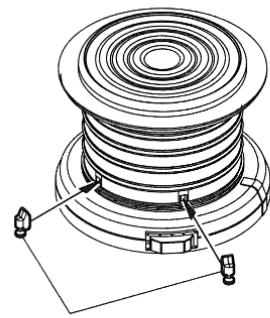
22



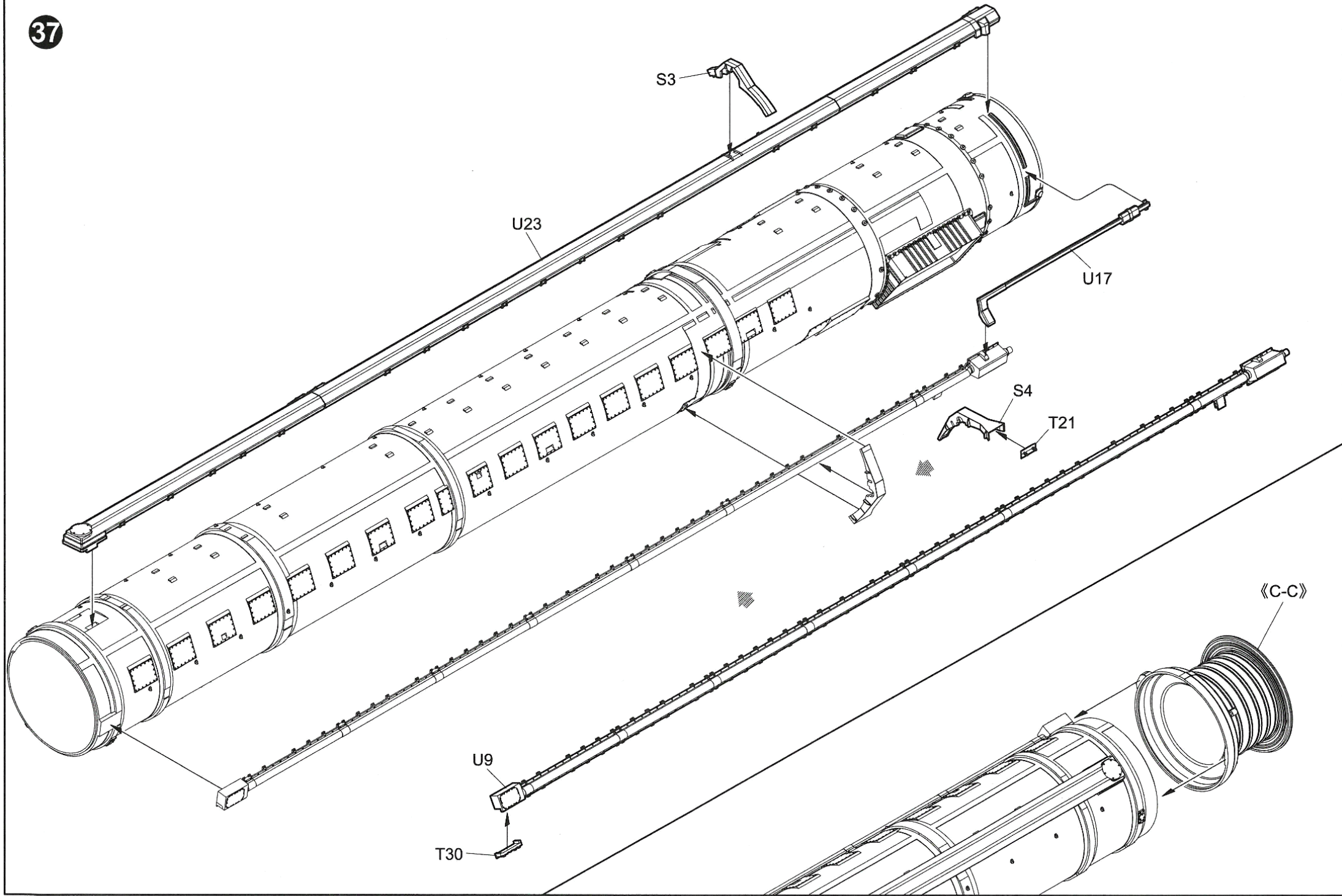
35



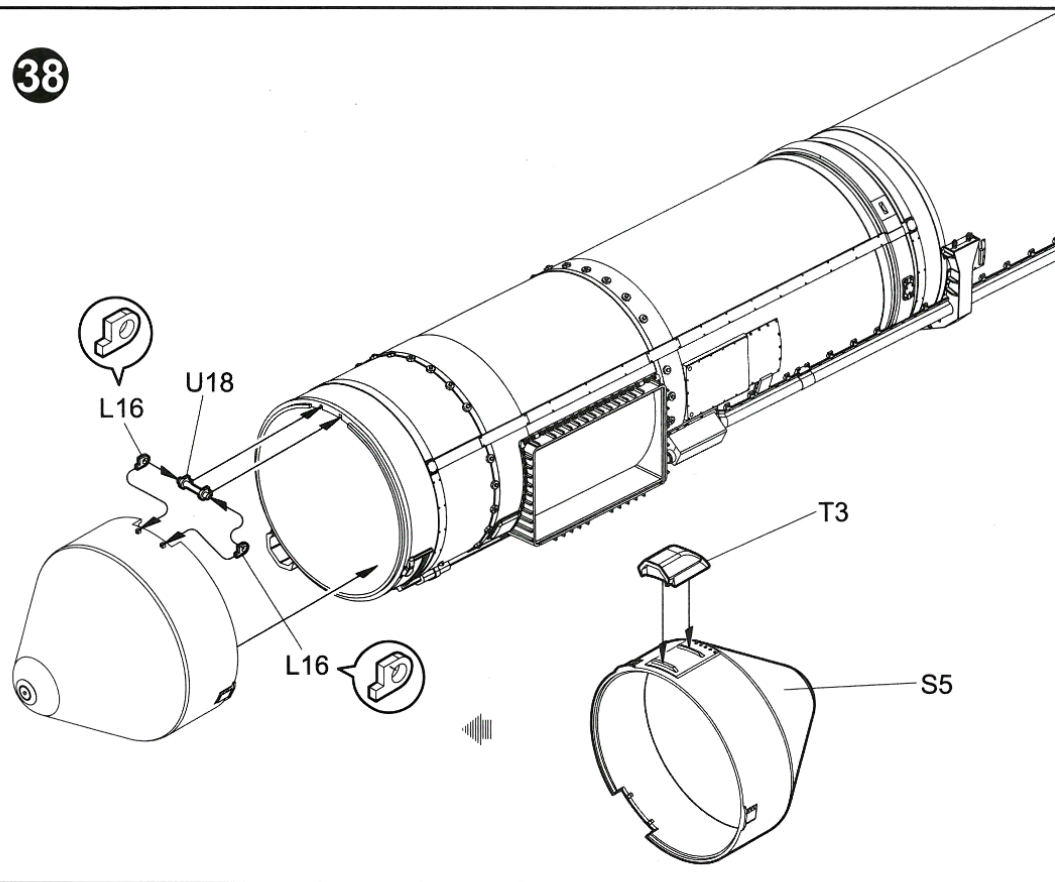
36



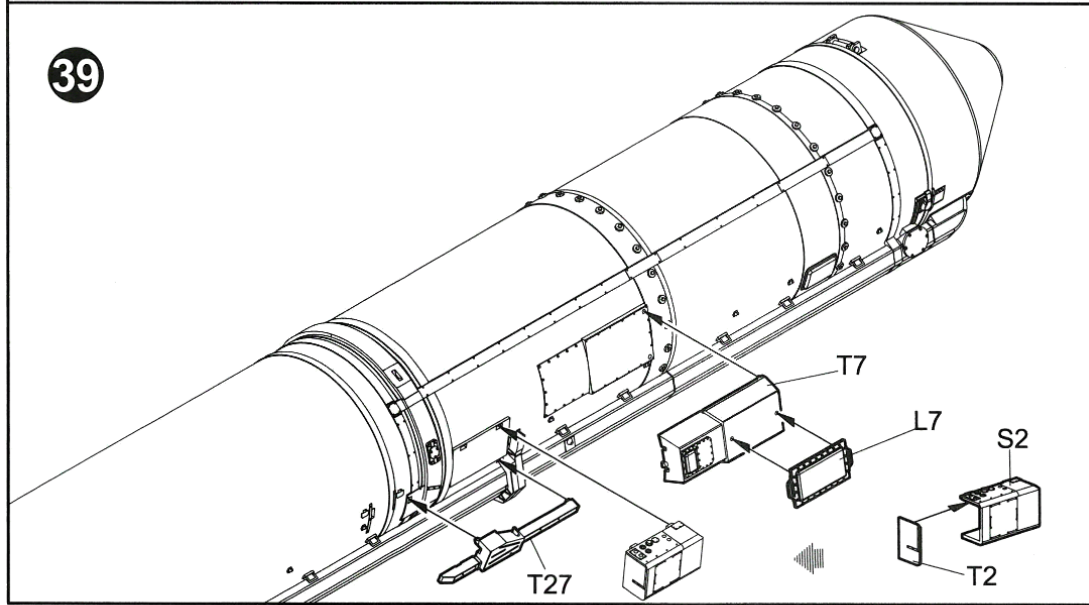
《C-C》



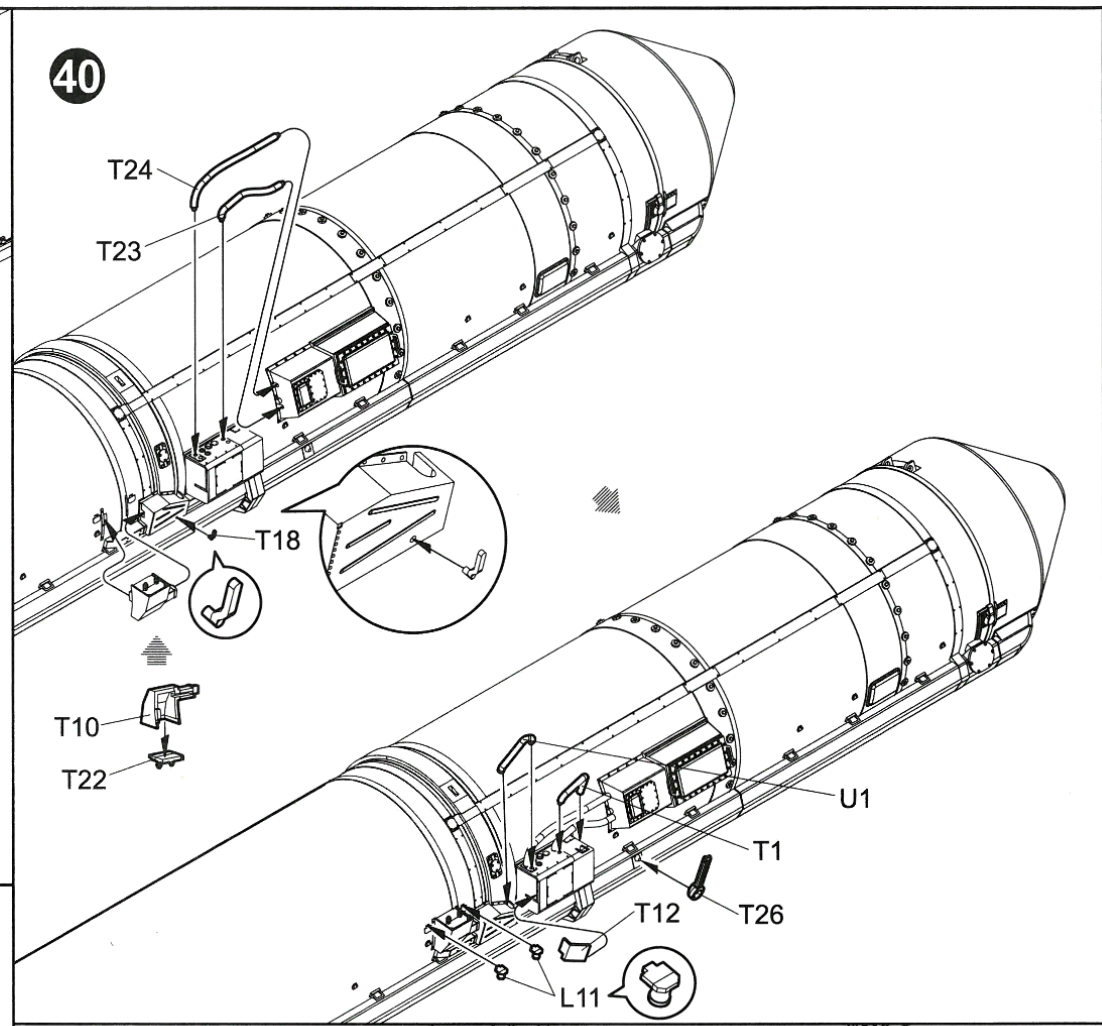
38



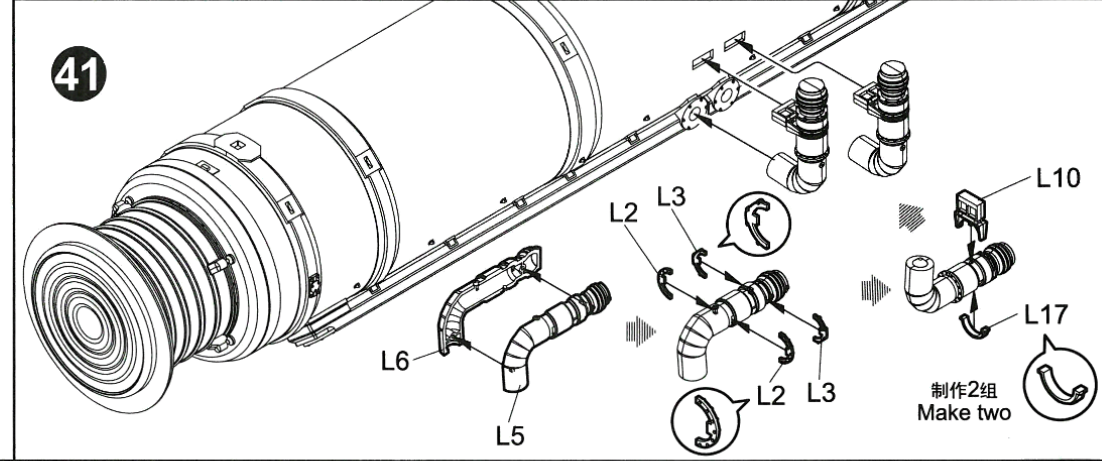
39



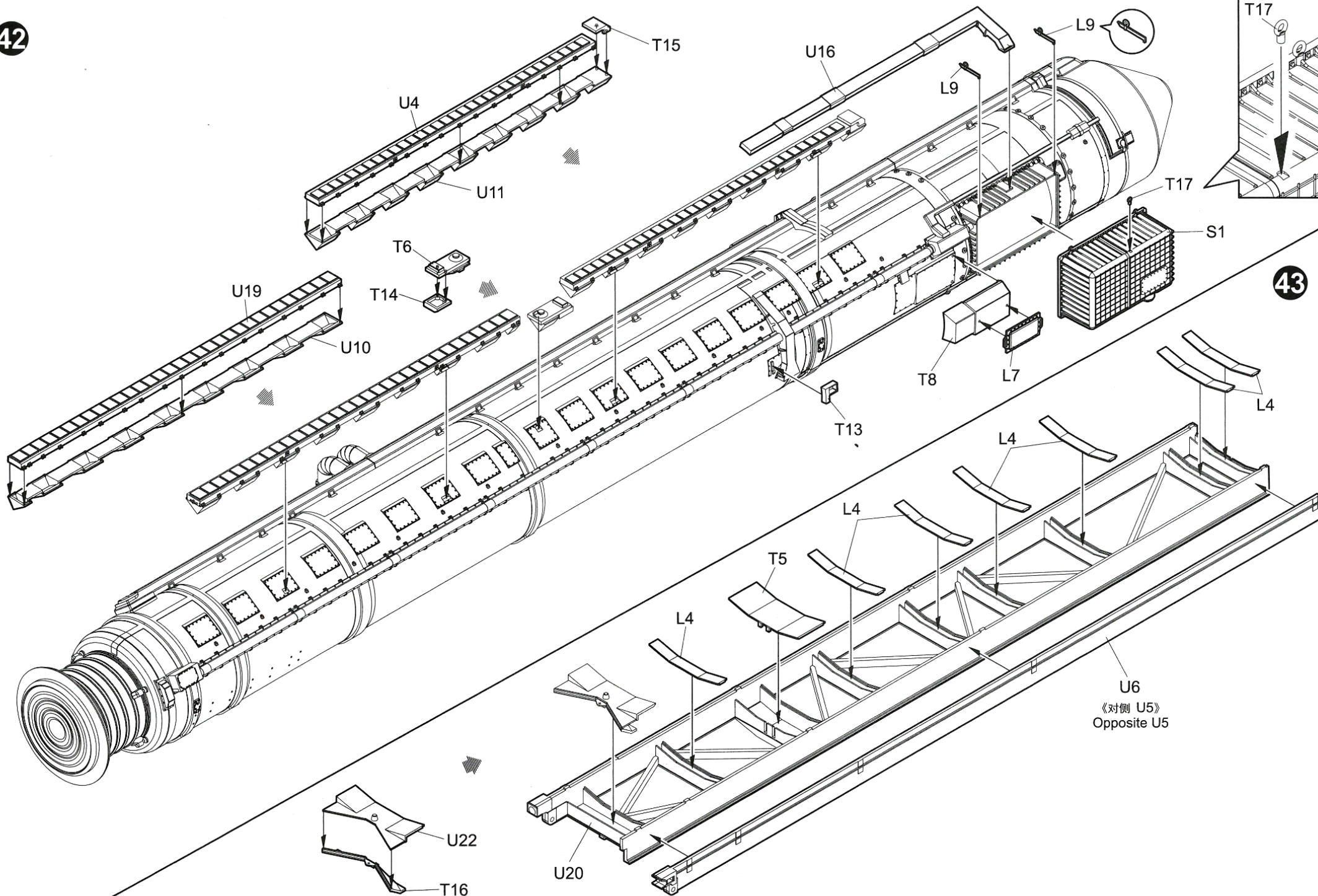
40



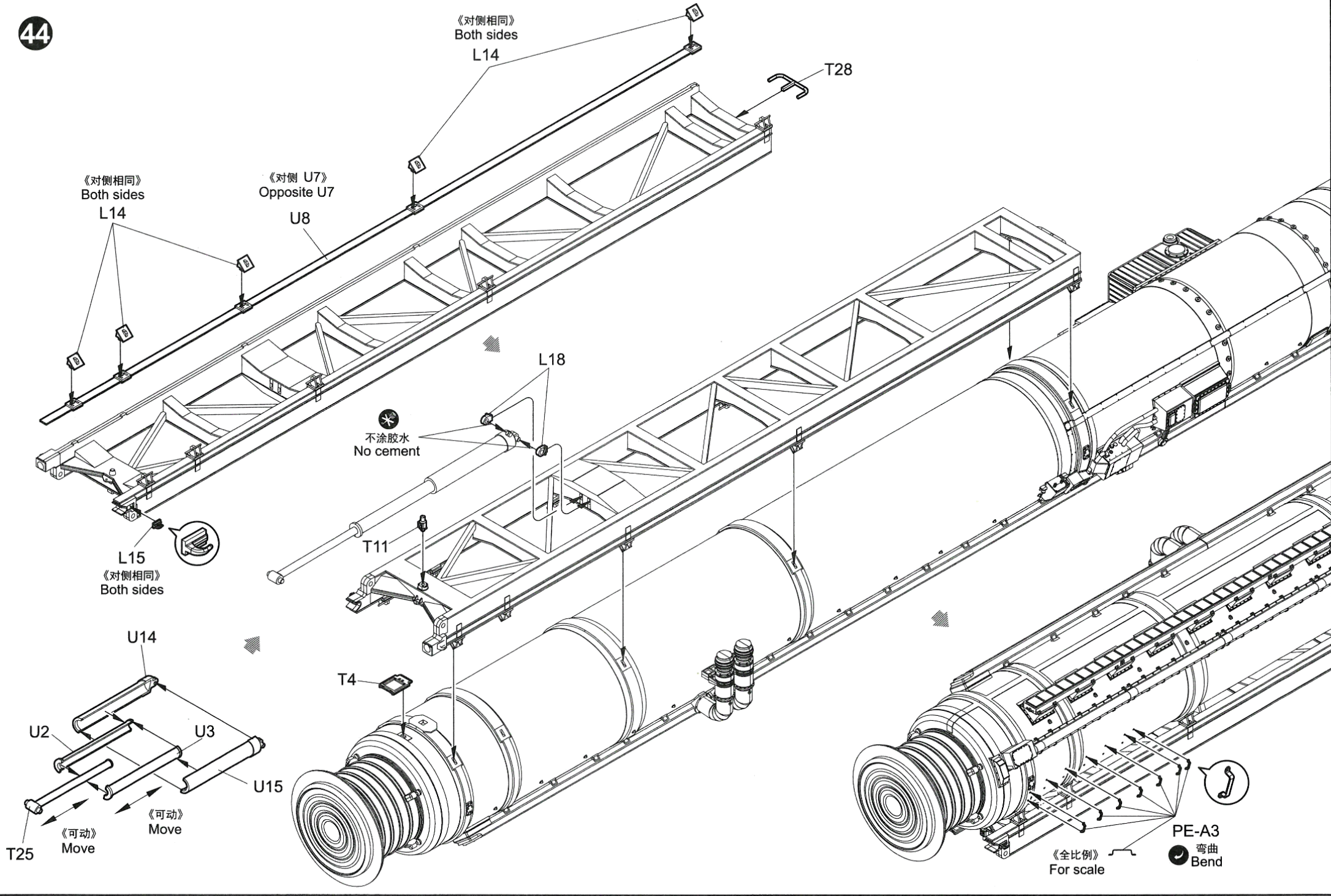
41

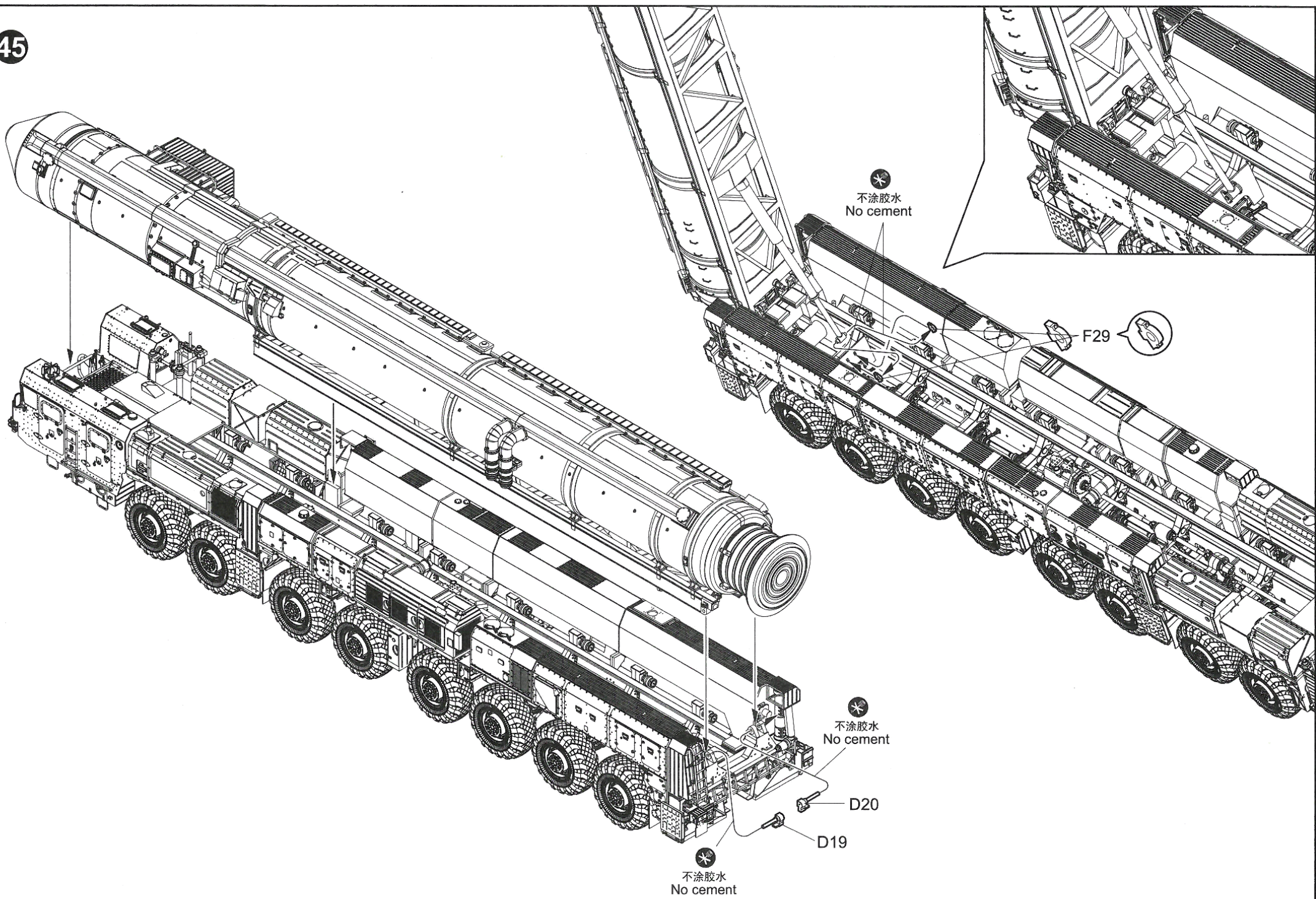


42

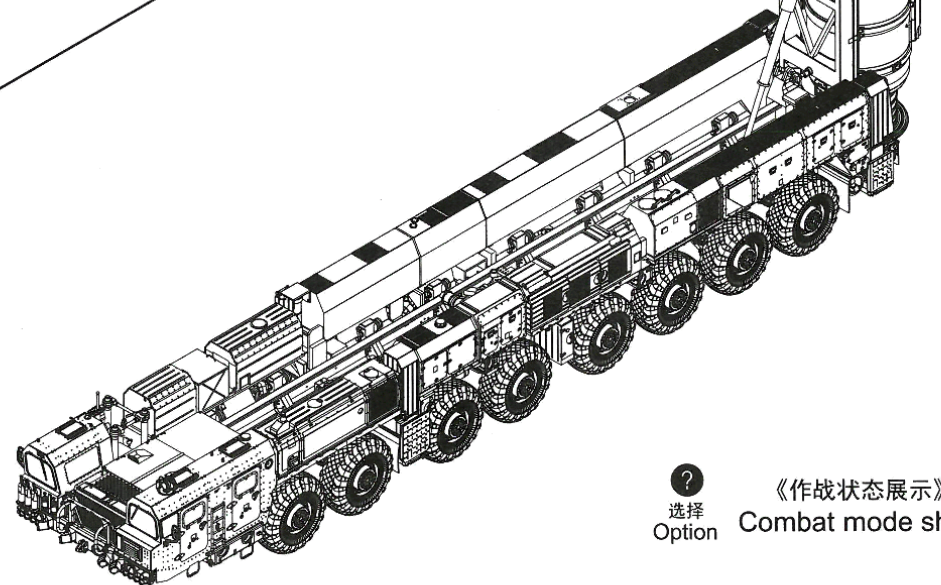
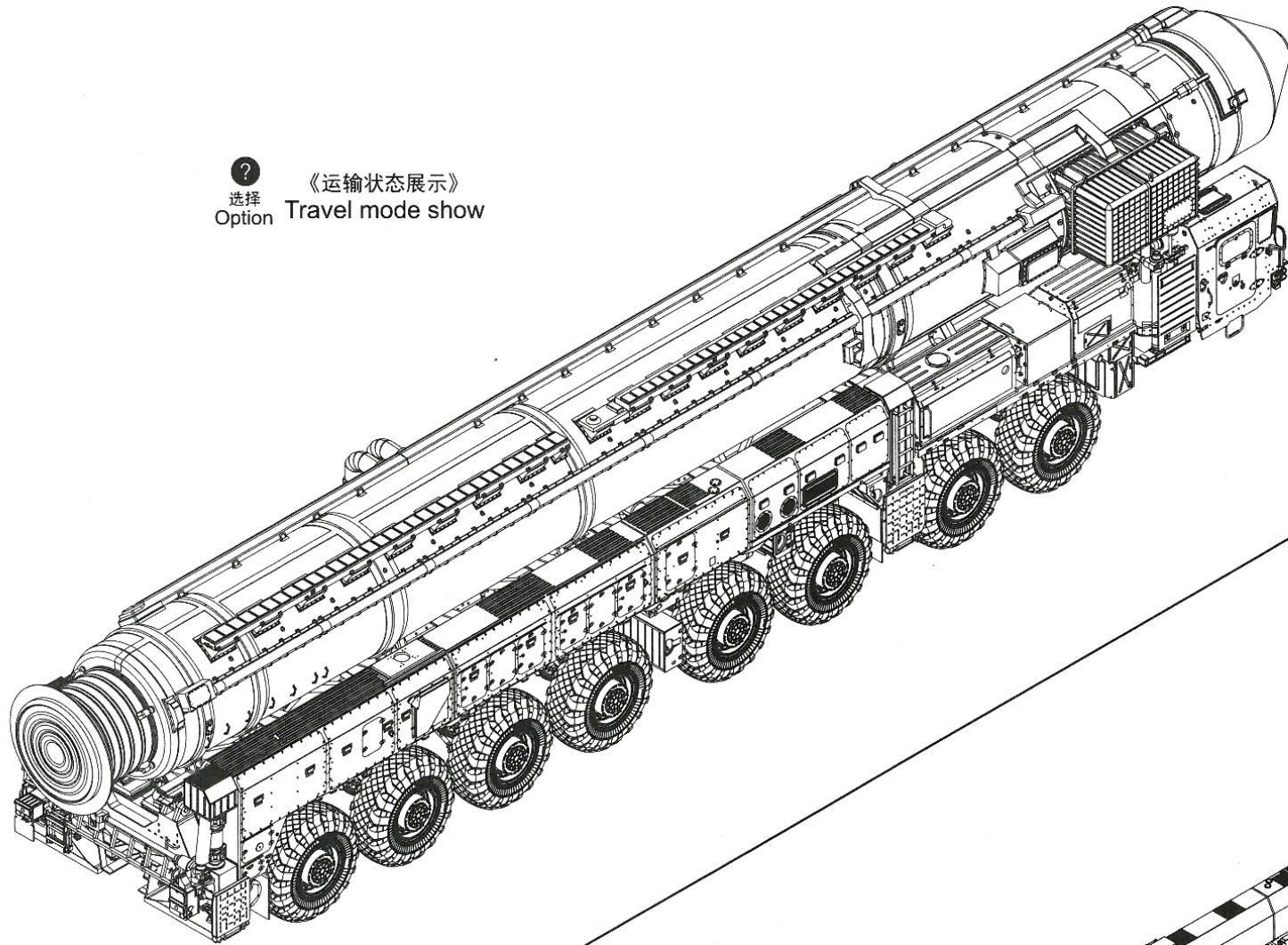


43



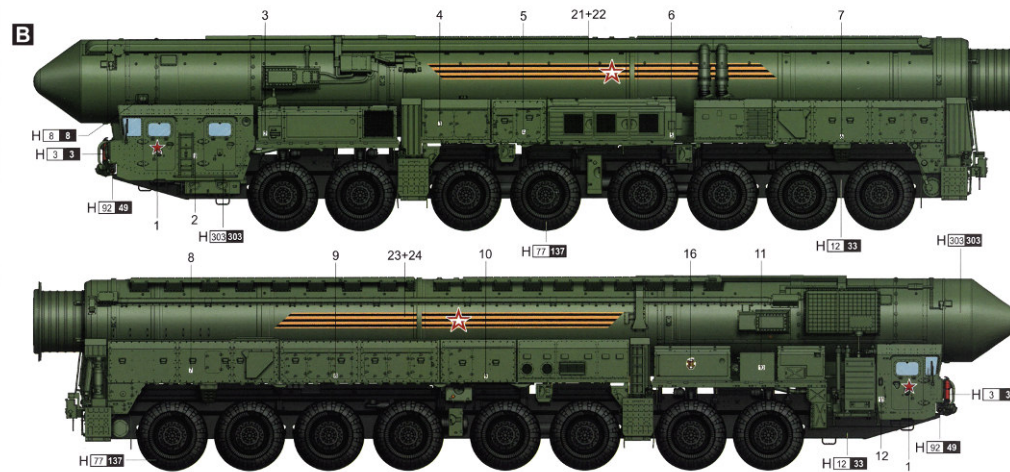


ⓧ
选择
Option 《运输状态展示》
Travel mode show



ⓧ
选择
Option 《作战状态展示》
Combat mode show

涂装同标贴指示
Painting & Marking guide



H[8] AQUEOUS HOBBY COLOR ■ Mr. COLOR N[3] ACRYSION COLOR

6

